

Features

- GaN on Si HEMT D-Mode Amplifier
- Suitable for Linear & Saturated Applications
- Tunable from DC - 6 GHz
- 28 V Operation
- 9 dB Gain @ 5.8 GHz
- 45% Drain Efficiency @ 5.8 GHz
- 100% RF Tested
- Thermally-Enhanced 4 mm 24-Lead QFN
- RoHS* Compliant



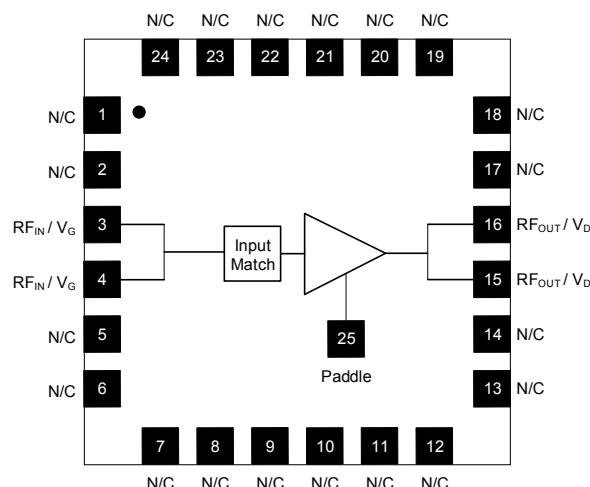
Description

The MAGX-011086 is a GaN on silicon HEMT amplifier optimized for DC - 6 GHz operation in a user friendly package ideal for high bandwidth applications. The device has been designed for saturated and linear operation with output power levels of 4 W (36 dBm) in an industry standard, low inductance, surface mount QFN package. The pads of the package form a coplanar launch that naturally absorbs lead parasitics and features a small PCB outline for space constrained applications.

The MAGX-011086 is ideally suited for Wireless LAN, High Dynamic Range LNA's, broadband general purpose, land mobile radio, defense communications, wireless infrastructure, and ISM applications.

Built using the SIGANTIC® process - a proprietary GaN-on-Silicon technology.

Functional Schematic



Pin Configuration²

Pin #	Pin Name	Function
1 - 2	N/C	No Connection
3 - 4	RF _{IN} / V _G	RF Input / Gate
5 - 14	N/C	No Connection
15 - 16	RF _{OUT} / V _D	RF Output / Drain
17 - 24	N/C	No Connection
25	Paddle ³	Ground / Source

Ordering Information¹

Part Number	Package
MAGX-011086	Bulk Quantity
MAGX-011086-TR0500	500 piece reel
MAGX-011086-SMB2	Sample Board

1. Reference Application Note M513 for reel size information.

2. All no connection pins may be left floating or grounded.
3. The exposed pad centered on the package bottom must be connected to RF and DC ground and provide a low thermal resistance heat path.

* Restrictions on Hazardous Substances, compliant to current RoHS EU directive.

GaN on Silicon General Purpose Amplifier DC - 6 GHz, 28 V, 4 W

Rev. V3

RF Electrical Specifications: $T_A = 25^\circ\text{C}$, $V_{DS} = 28\text{ V}$, $I_{DQ} = 50\text{ mA}$

Parameter	Test Conditions	Symbol	Min.	Typ.	Max.	Units
Small Signal Gain	CW, 5.8 GHz	G_{SS}	-	11	-	dB
Saturated Output Power	CW, 5.8 GHz	P_{SAT}	-	37	-	dBm
Drain Efficiency at Saturation	CW, 5.8 GHz	h_{SAT}	-	50	-	%
Power Gain	5.8 GHz, $P_{OUT} = 4\text{ W}$	G_P	8	9	-	dB
Drain Efficiency	5.8 GHz, $P_{OUT} = 4\text{ W}$	h	40	45	-	%
Ruggedness: Output Mismatch	All phase angles	Y	VSWR = 10:1, No Device Damage			

DC Electrical Characteristics: $T_A = 25^\circ\text{C}$

Parameter	Test Conditions	Symbol	Min.	Typ.	Max.	Units
Drain-Source Leakage Current	$V_{GS} = -8\text{ V}$, $V_{DS} = 100\text{ V}$	I_{DLK}	-	-	2	mA
Gate-Source Leakage Current	$V_{GS} = -8\text{ V}$, $V_{DS} = 0\text{ V}$	I_{GLK}	-	-	1	mA
Gate Threshold Voltage	$V_{DS} = +28\text{ V}$, $I_D = 2\text{ mA}$	V_T	-2.5	-1.5	-0.5	V
Gate Quiescent Voltage	$V_{DS} = +28\text{ V}$, $I_D = 50\text{ mA}$	V_{GSQ}	-2.1	-1.2	-0.3	V
On Resistance	$V_{DS} = +2\text{ V}$, $I_D = 15\text{ mA}$	R_{ON}	-	2.0	-	W
Saturated Drain Current	$V_{DS} = 7\text{ V}$, Pulse Width 300 μs	$I_{D(SAT)}$	-	1.4	-	A

Absolute Maximum Ratings^{4,5,6}

Parameter	Absolute Max.
Drain-Source Voltage, V_{DS}	100 V
Gate-Source Voltage, V_{GS}	-10 V to 3 V
Gate Current, I_G	4 mA
Junction Temperature, T_J	+200°C
Operating Temperature	-40°C to +85°C
Storage Temperature	-65°C to +150°C

4. Exceeding any one or combination of these limits may cause permanent damage to this device.
5. MACOM does not recommend sustained operation near these survivability limits.
6. Operating at nominal conditions with $T_J \leq 200^\circ\text{C}$ will ensure $\text{MTTF} > 1 \times 10^6$ hours.

Thermal Characteristics^{7,8}

Parameter	Test Conditions	Symbol	Typ.	Units
Thermal Resistance	$V_{DS} = 28 \text{ V}, T_J = 200^\circ\text{C}$	Θ_{JC}	12.5	°C/W

7. Junction temperature (T_J) measured using IR Microscopy. Case temperature measured using thermocouple embedded in heat-sink.
8. The thermal resistance of the mounting configuration must be added to the device Θ_{JC} , for proper T_J calculation during operation. The recommended via pattern, shown on page 6, on a 20 mil thick, 1 oz. plated copper, PCB contributes an additional 6.6°C/W to the typical value.

Handling Procedures

Please observe the following precautions to avoid damage:

Static Sensitivity

Gallium Nitride Integrated Circuits are sensitive to electrostatic discharge (ESD) and can be damaged by static electricity. Proper ESD control techniques should be used when handling these class 1A devices.

GaN on Silicon General Purpose Amplifier DC - 6 GHz, 28 V, 4 W

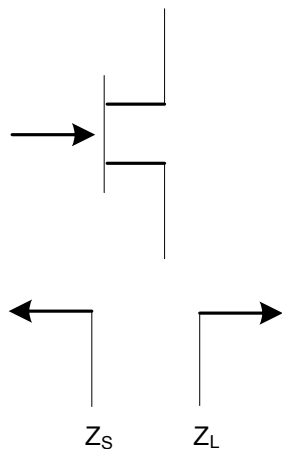
Rev. V3

Load-Pull Performance: $V_{DS} = 28\text{ V}$, $I_{DQ} = 50\text{ mA}$, $T_A = 25^\circ\text{C}$

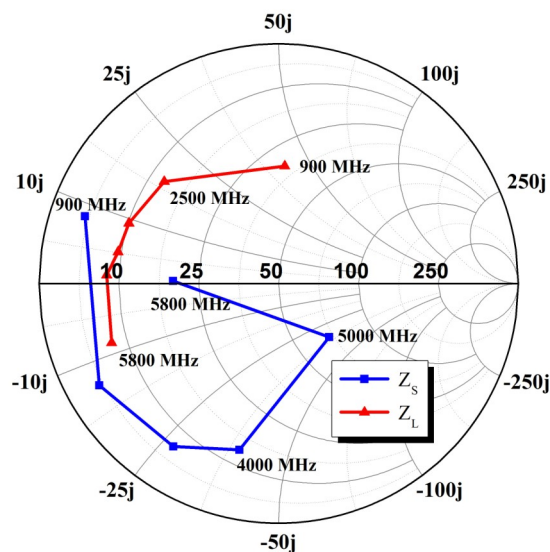
Reference Plane at Device Leads, CW Drain Efficiency and Output Power Tradeoff Impedance

Frequency (MHz)	Z_S (W)	Z_L (W)	P_{SAT} (W)	G_{SS} (dB)	Drain Efficiency @ P_{SAT} (%)
900	$4.0 + j8.4$	$31.9 + j41.2$	5.8	24.6	65
2500	$4.0 - j13.1$	$12.5 + j18.0$	5.1	19.5	63
3500	$6.8 - j26.8$	$10.1 + j9.3$	5.0	57	
4000	$13.4 - j37.8$	$9.5 + j4.7$	5.0	15.3	56
5000	$67.4 - j33.2$	$8.2 + j1.2$	5.0	13.8	55
5800	$19.4 + j0.5$	$7.7 - j8.4$	5.0	12.0	55

Impedance Reference



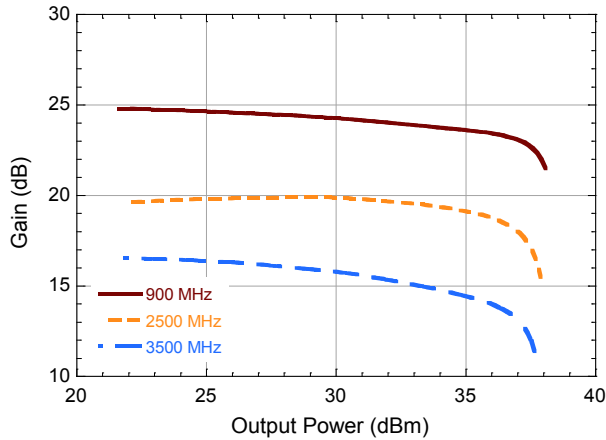
Z_S and Z_L vs. Frequency



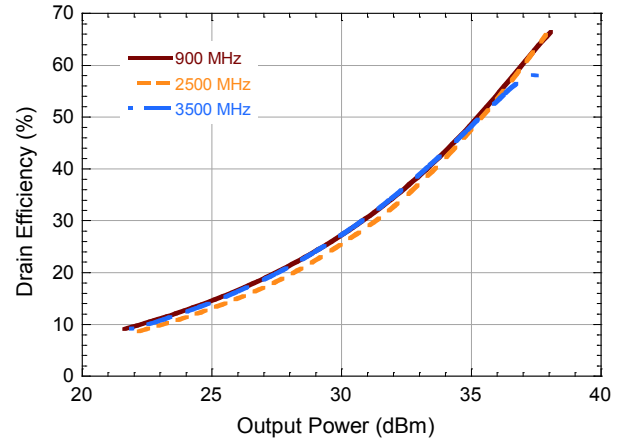
Load-Pull Performance: $V_{DS} = 28\text{ V}$, $I_{DQ} = 50\text{ mA}$, $T_A = 25^\circ\text{C}$

Reference Plane at Device Leads, CW Drain Efficiency and Output Power Tradeoff Impedance

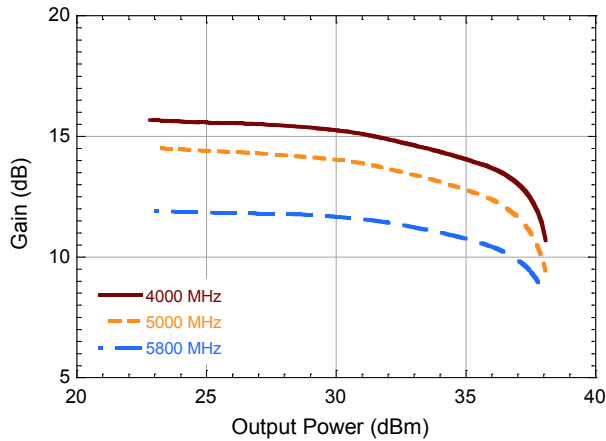
Gain vs. Output Power



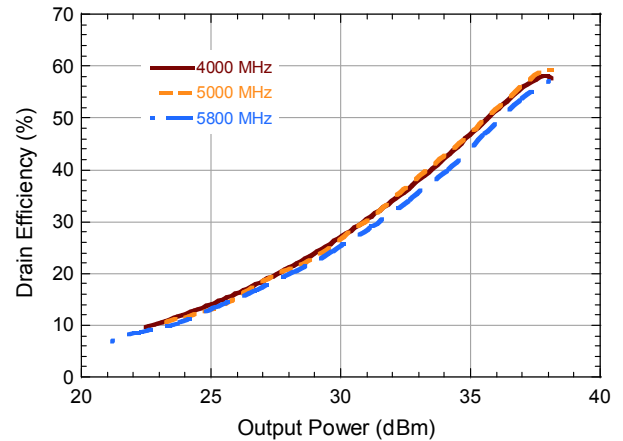
Drain Efficiency vs. Output Power



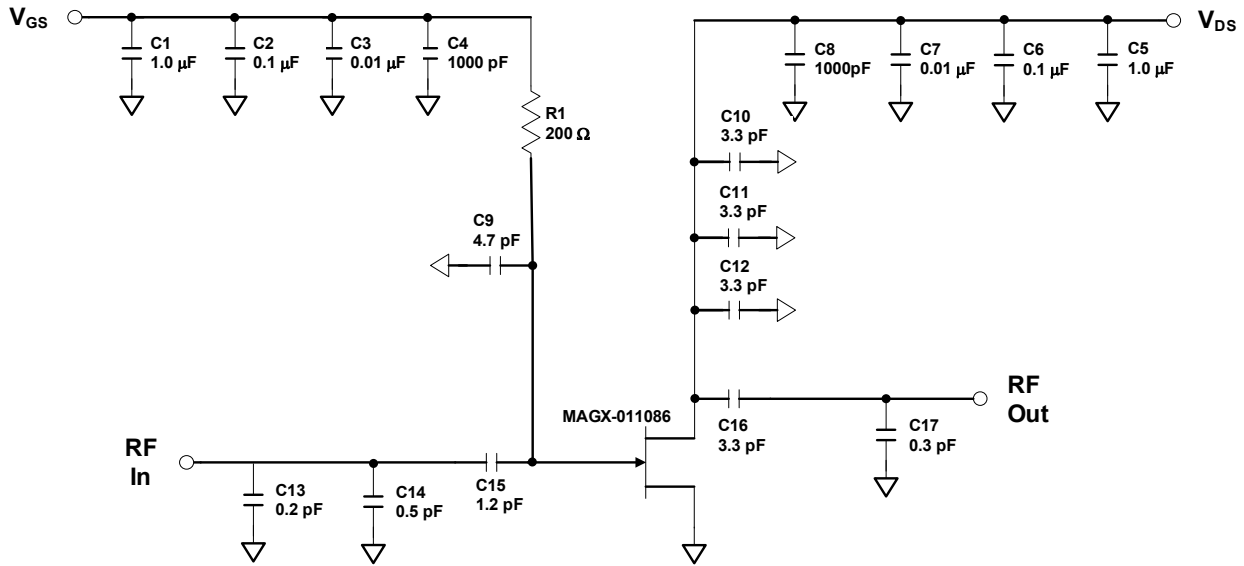
Gain vs. Output Power



Drain Efficiency vs. Output Power



Evaluation Board and Recommended Tuning Solution
5.8 GHz Narrowband Circuit



Description

Parts measured on evaluation board (20-mil thick RO4350). The PCB's electrical and thermal ground is provided using a standard-plated densely packed via hole array (see recommended via pattern).

Matching is provided using a combination of lumped elements and transmission lines as shown in the simplified schematic above. Recommended tuning solution component placement, transmission lines, and details are shown on the next page.

Bias Sequencing

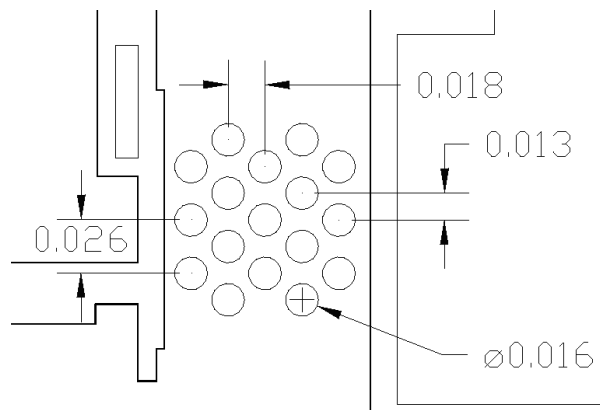
Turning the device ON

1. Set V_{GS} beyond pinch-off (V_P), typically -5 V.
2. Turn on V_{DS} to nominal voltage (28 V).
3. Increase V_{GS} until the I_{DS} current is reached.
4. Apply RF power to desired level.

Turning the device OFF

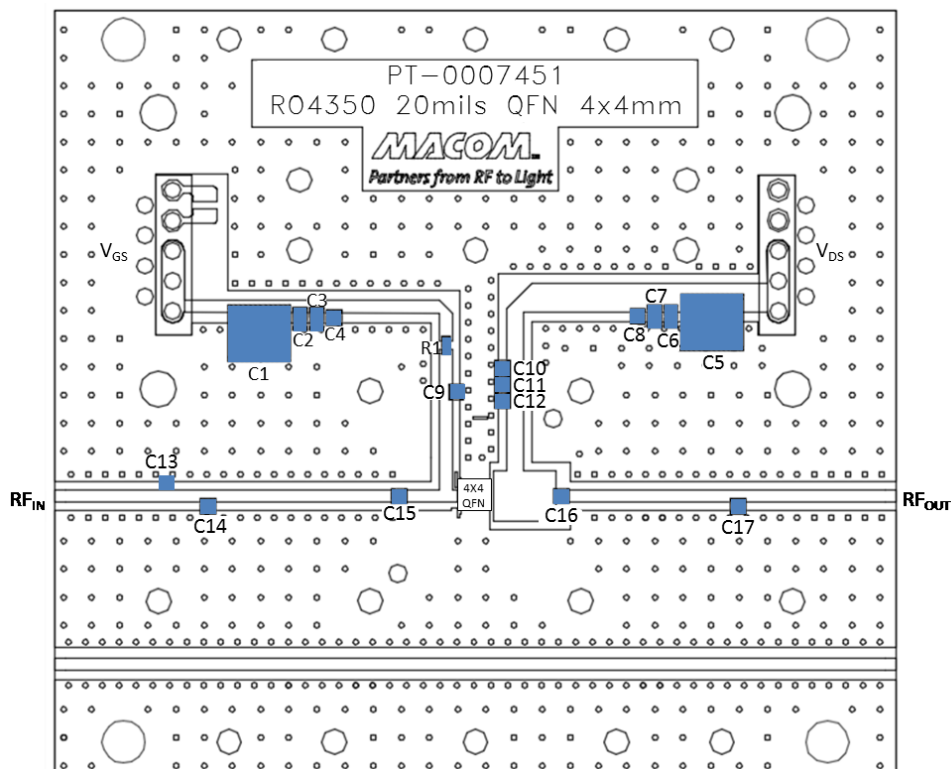
1. Turn the RF power off.
2. Decrease V_{GS} down to V_P .
3. Decrease V_{DS} down to 0 V.
4. Turn off V_{GS} .

Recommended Via Pattern (All dimensions shown as inches)



Evaluation Board and Recommended Tuning Solution

5.8 GHz Narrowband Circuit

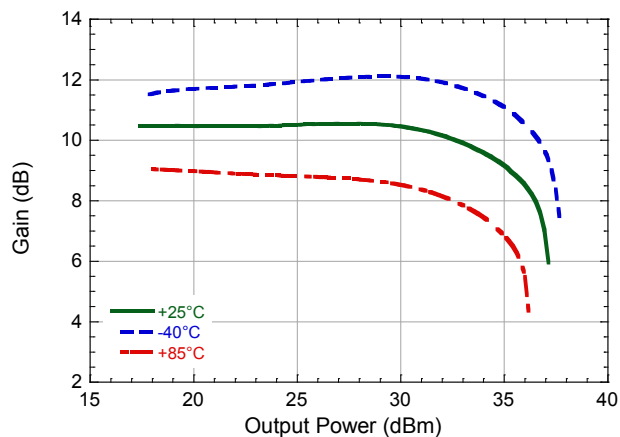


Parts list

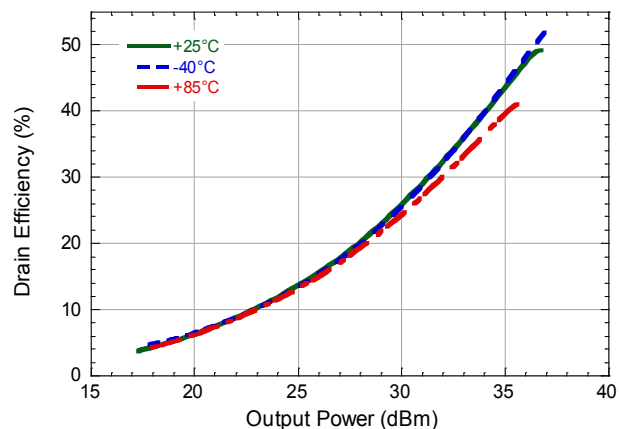
Reference	Value	Tolerance	Manufacturer	Part Number
C1, C5	1.0 μ F	10%	AVX	12101C105KAT2A
C2, C6	0.1 μ F	10%	Kemet	C1206C104K1RACTU
C3, C7	0.01 μ F	10%	AVX	12061C103KAT2A
C4, C8	1000 pF	10%	Kemet	C0805C102K1RACTU
C9	4.7 pF	0.1 pF	ATC	ATC800A4R7B250
C10, C11, C12, C16	3.3 pF	0.1 pF	ATC	ATC800A3R3B250
C13	0.2 pF	0.1 pF	ATC	ATC800A0R2B250
C14	0.5 pF	0.1 pF	ATC	ATC800A0R5B250
C15	1.2 pF	0.1 pF	ATC	ATC800A1R2B250
C17	0.3 pF	0.1 pF	ATC	ATC800A0R3B250
R1	200 Ω	1%	Panasonic	ERJ-6ENF2000V
RF Connector	SMA	—	Amphenol-Connex	132150
DC Connector	D-Subminiature	—	ERNI	284525
PCB	RO4350	—	Rogers Corp	—

Typical Performance as measured in the 5.8 GHz evaluation board:
CW, $V_{DS} = 28\text{ V}$, $I_{DQ} = 50\text{ mA}$ (unless noted)

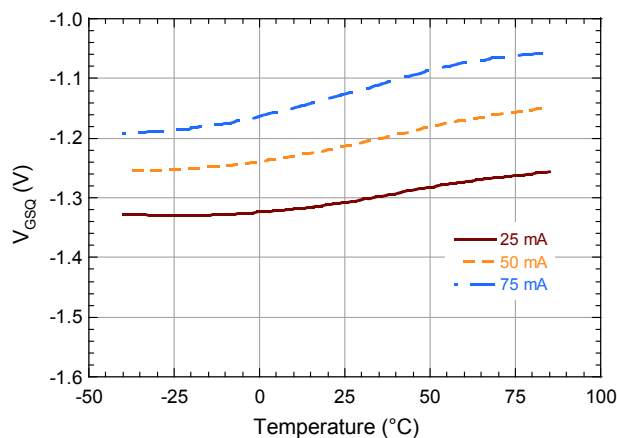
Gain vs. Output Power over Temperature



Drain Efficiency vs. Output Power over Temperature

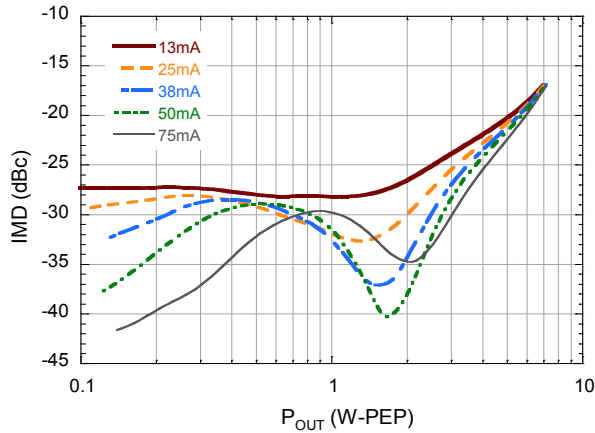


Quiescent V_{GS} vs. Temperature

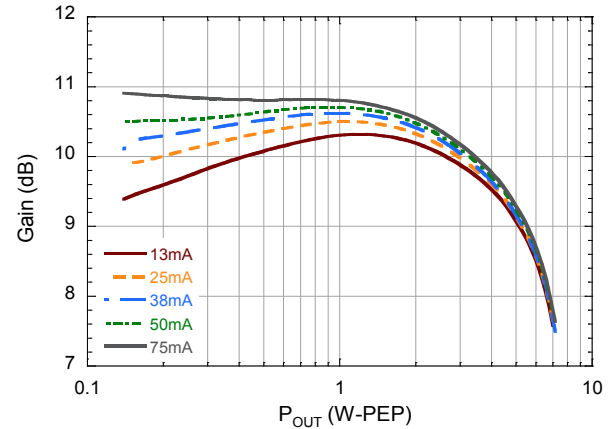


Typical 2-Tone Performance as measured in the 5.8 GHz evaluation board:
1 MHz Tone Spacing, $V_{DS} = 28\text{ V}$, $I_{DQ} = 50\text{ mA}$, $T_A = 25^\circ\text{C}$ (unless noted)

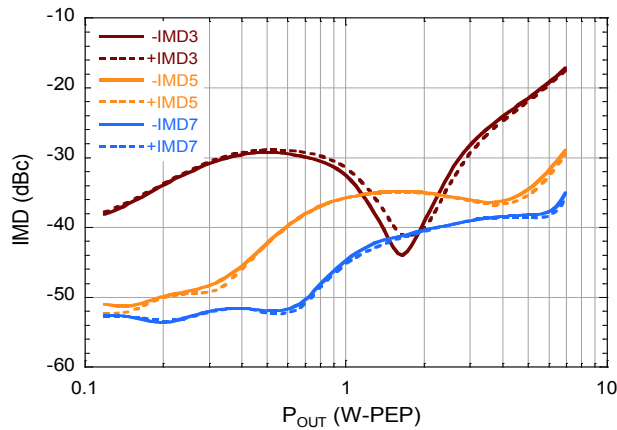
2-Tone IMD3 vs. Output Power vs. Quiescent Current



2-Tone Gain vs. Output Power vs. Quiescent Current



2-Tone IMD vs. Output Power



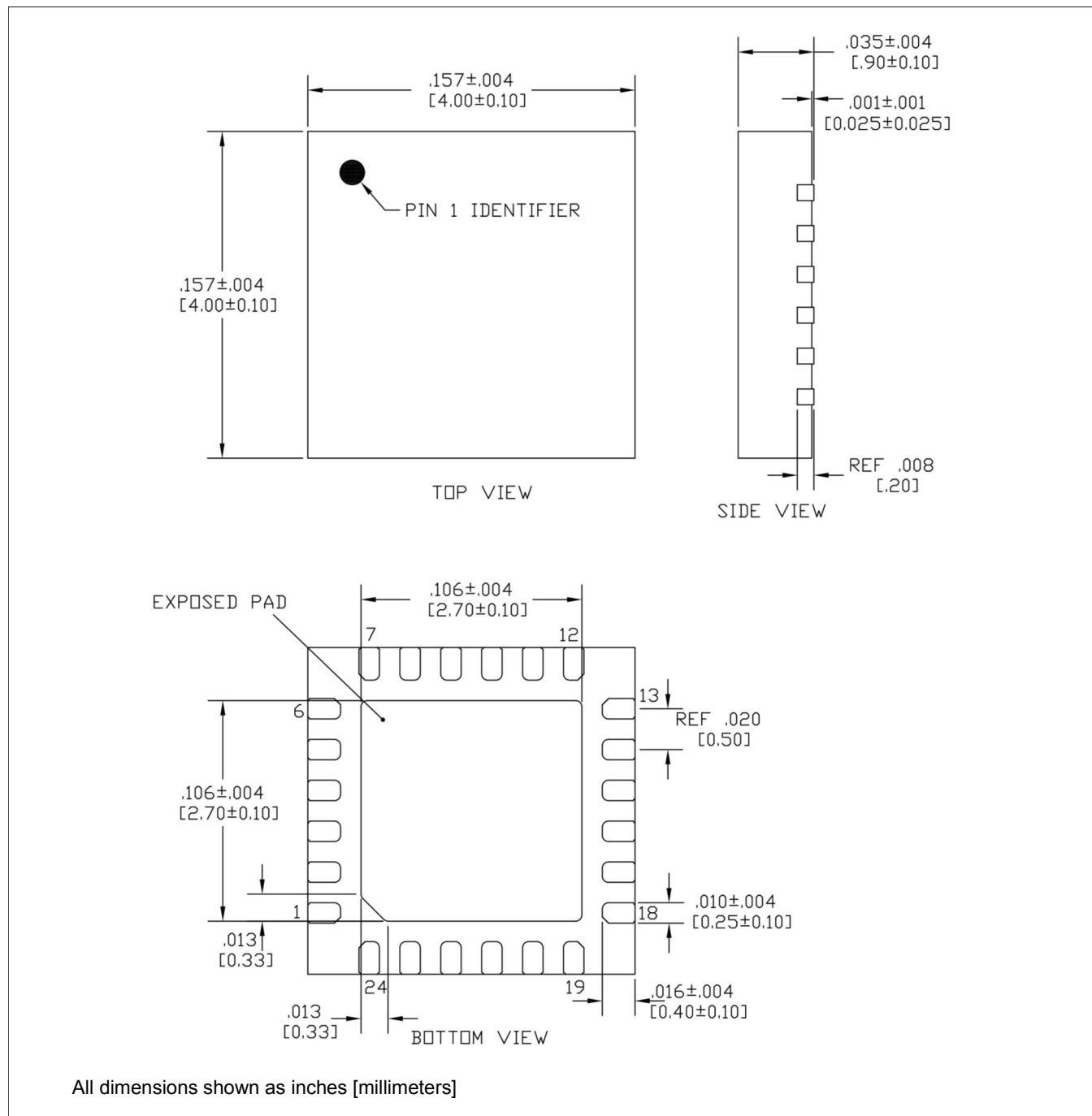
MAGX-011086



GaN on Silicon General Purpose Amplifier
DC - 6 GHz, 28 V, 4 W

Rev. V3

Lead Free 4 mm 24 Lead QFN Plastic Package[†]



[†] Meets JEDEC moisture sensitivity level 3 requirements.
Plating is Matte Sn.

MACOM Technology Solutions Inc. All rights reserved.

Information in this document is provided in connection with MACOM Technology Solutions Inc ("MACOM") products. These materials are provided by MACOM as a service to its customers and may be used for informational purposes only. Except as provided in MACOM's Terms and Conditions of Sale for such products or in any separate agreement related to this document, MACOM assumes no liability whatsoever. MACOM assumes no responsibility for errors or omissions in these materials. MACOM may make changes to specifications and product descriptions at any time, without notice. MACOM makes no commitment to update the information and shall have no responsibility whatsoever for conflicts or incompatibilities arising from future changes to its specifications and product descriptions. No license, express or implied, by estoppel or otherwise, to any intellectual property rights is granted by this document.

THESE MATERIALS ARE PROVIDED "AS IS" WITHOUT WARRANTY OF ANY KIND, EITHER EXPRESS OR IMPLIED, RELATING TO SALE AND/OR USE OF MACOM PRODUCTS INCLUDING LIABILITY OR WARRANTIES RELATING TO FITNESS FOR A PARTICULAR PURPOSE, CONSEQUENTIAL OR INCIDENTAL DAMAGES, MERCHANTABILITY, OR INFRINGEMENT OF ANY PATENT, COPYRIGHT OR OTHER INTELLECTUAL PROPERTY RIGHT. MACOM FURTHER DOES NOT WARRANT THE ACCURACY OR COMPLETENESS OF THE INFORMATION, TEXT, GRAPHICS OR OTHER ITEMS CONTAINED WITHIN THESE MATERIALS. MACOM SHALL NOT BE LIABLE FOR ANY SPECIAL, INDIRECT, INCIDENTAL, OR CONSEQUENTIAL DAMAGES, INCLUDING WITHOUT LIMITATION, LOST REVENUES OR LOST PROFITS, WHICH MAY RESULT FROM THE USE OF THESE MATERIALS.

MACOM products are not intended for use in medical, lifesaving or life sustaining applications. MACOM customers using or selling MACOM products for use in such applications do so at their own risk and agree to fully indemnify MACOM for any damages resulting from such improper use or sale.

Компания «Океан Электроники» предлагает заключение долгосрочных отношений при поставках импортных электронных компонентов на взаимовыгодных условиях!

Наши преимущества:

- Поставка оригинальных импортных электронных компонентов напрямую с производств Америки, Европы и Азии, а так же с крупнейших складов мира;
- Широкая линейка поставок активных и пассивных импортных электронных компонентов (более 30 млн. наименований);
- Поставка сложных, дефицитных, либо снятых с производства позиций;
- Оперативные сроки поставки под заказ (от 5 рабочих дней);
- Экспресс доставка в любую точку России;
- Помощь Конструкторского Отдела и консультации квалифицированных инженеров;
- Техническая поддержка проекта, помощь в подборе аналогов, поставка прототипов;
- Поставка электронных компонентов под контролем ВП;
- Система менеджмента качества сертифицирована по Международному стандарту ISO 9001;
- При необходимости вся продукция военного и аэрокосмического назначения проходит испытания и сертификацию в лаборатории (по согласованию с заказчиком);
- Поставка специализированных компонентов военного и аэрокосмического уровня качества (Xilinx, Altera, Analog Devices, Intersil, Interpoint, Microsemi, Actel, Aeroflex, Peregrine, VPT, Syfer, Eurofarad, Texas Instruments, MS Kennedy, Miteq, Cobham, E2V, MA-COM, Hittite, Mini-Circuits, General Dynamics и др.);

Компания «Океан Электроники» является официальным дистрибьютором и эксклюзивным представителем в России одного из крупнейших производителей разъемов военного и аэрокосмического назначения «JONHON», а так же официальным дистрибьютором и эксклюзивным представителем в России производителя высокотехнологичных и надежных решений для передачи СВЧ сигналов «FORSTAR».



JONHON

«JONHON» (основан в 1970 г.)

Разъемы специального, военного и аэрокосмического назначения:

(Применяются в военной, авиационной, аэрокосмической, морской, железнодорожной, горно- и нефтедобывающей отраслях промышленности)

«FORSTAR» (основан в 1998 г.)

ВЧ соединители, коаксиальные кабели,
кабельные сборки и микроволновые компоненты:

(Применяются в телекоммуникациях гражданского и специального назначения, в средствах связи, РЛС, а так же военной, авиационной и аэрокосмической отраслях промышленности).



Телефон: 8 (812) 309-75-97 (многоканальный)

Факс: 8 (812) 320-03-32

Электронная почта: ocean@oceanchips.ru

Web: <http://oceanchips.ru/>

Адрес: 198099, г. Санкт-Петербург, ул. Калинина, д. 2, корп. 4, лит. А