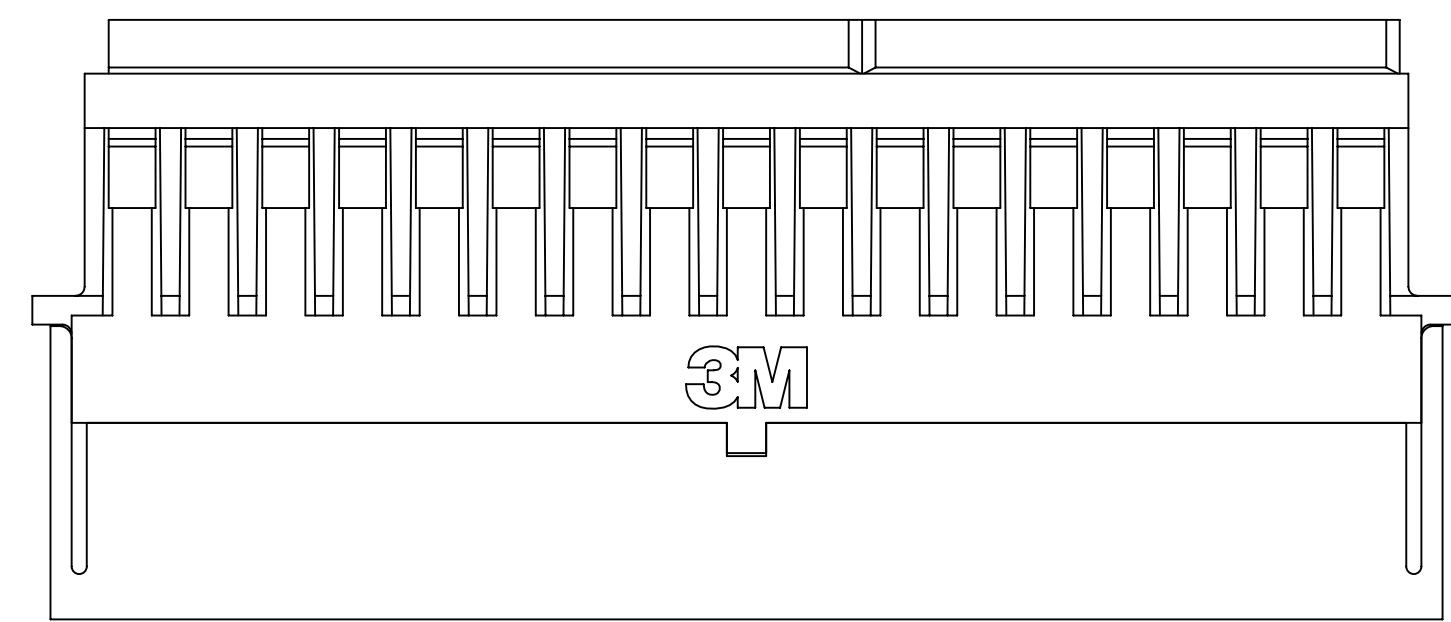
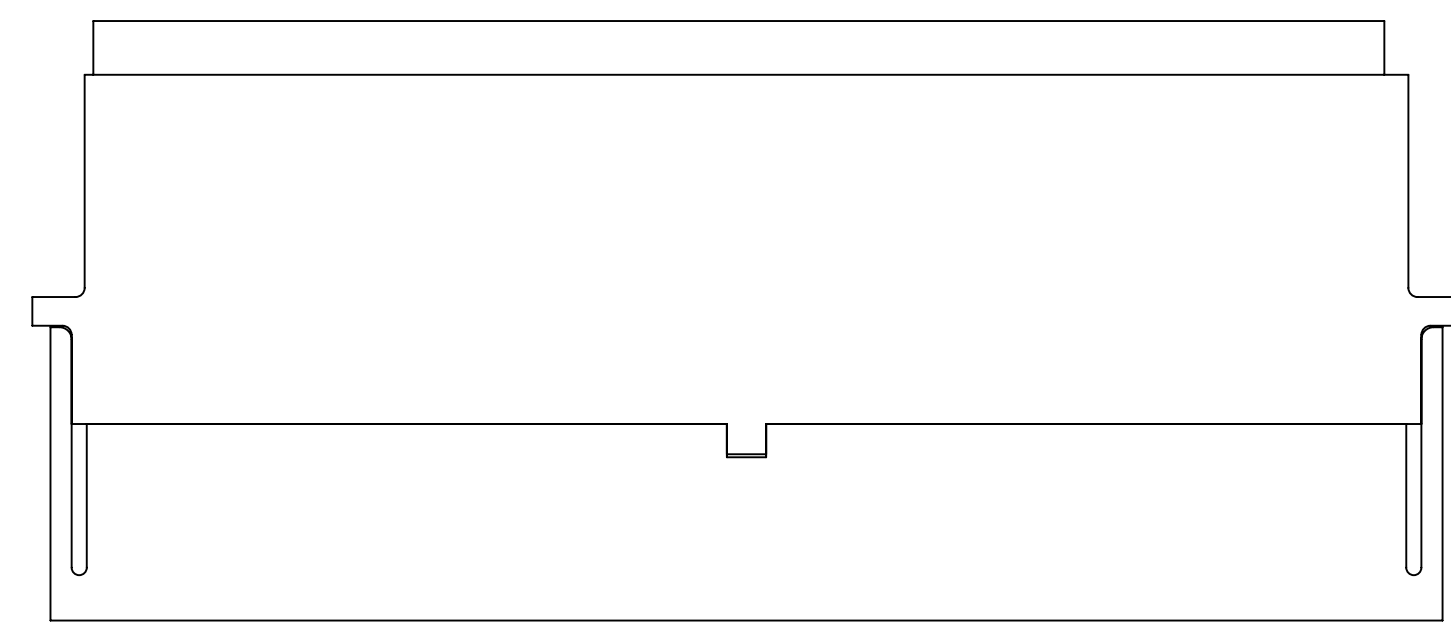


# 3M™ SHIELDED CONTROLLED IMPEDANCE (SCI)

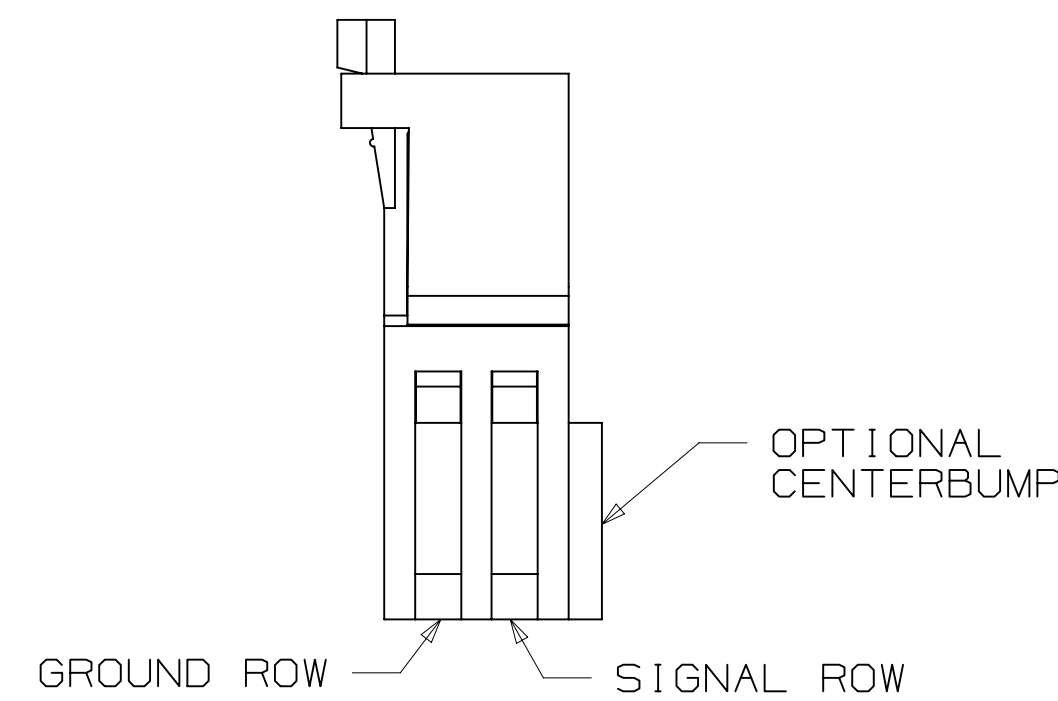
.100" ASSEMBLY HARDWARE



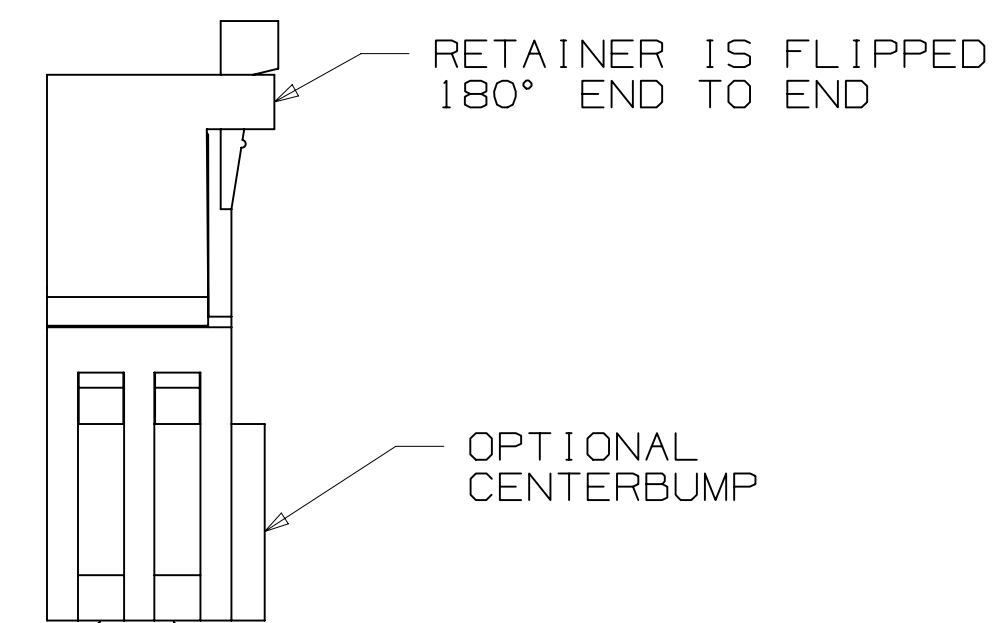
98XX-PSMO  
NORMAL "MO" RETENTION STYLE



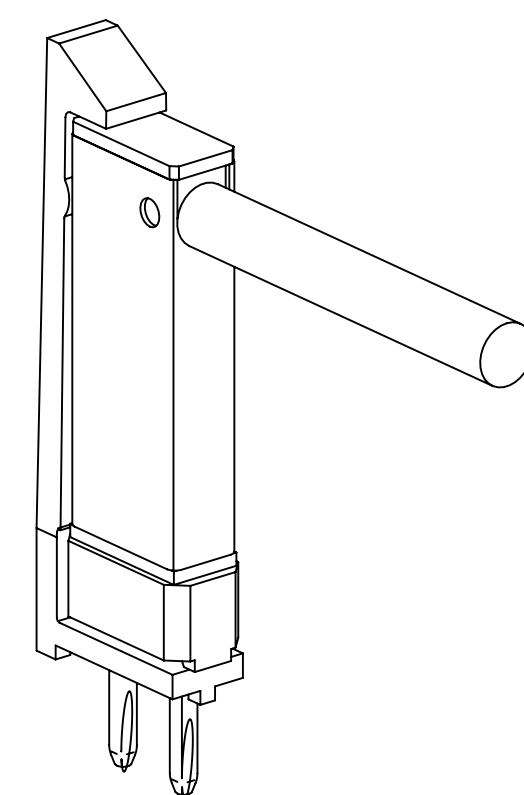
98XX-PSMR  
REVERSE "MR" RETENTION STYLE



SIGNAL ROW GROUND ROW



SIGNAL ROW GROUND ROW



NOTE:  
1) PIN STRIP LATCH IS FOR USE WITH  
.100 SCI, RIGHT ANGLE CONNECTOR  
TYPE 22 ONLY.  
(SEE TECH SHEET TS-0803)

## 2 ROW CARRIER HOUSING

- \* CARRIERS AVAILABLE IN 3M .100" X .100" (2.54MM X 2.54MM) SOCKET.
- \* COMPATIBLE WITH ALL 3M .100" X .100" (2.54MM X 2.54MM) HEADERS.
- \* AVAILABLE IN SHORT OR LONG LATCH STYLES. CHECK STYLE FOR MATCH.

## 3 X 7 CARRIER HOUSING

- \* INTEGRAL LOCKING FEATURE.
- \* INCLUDES TWO RETENTION CLIPS.

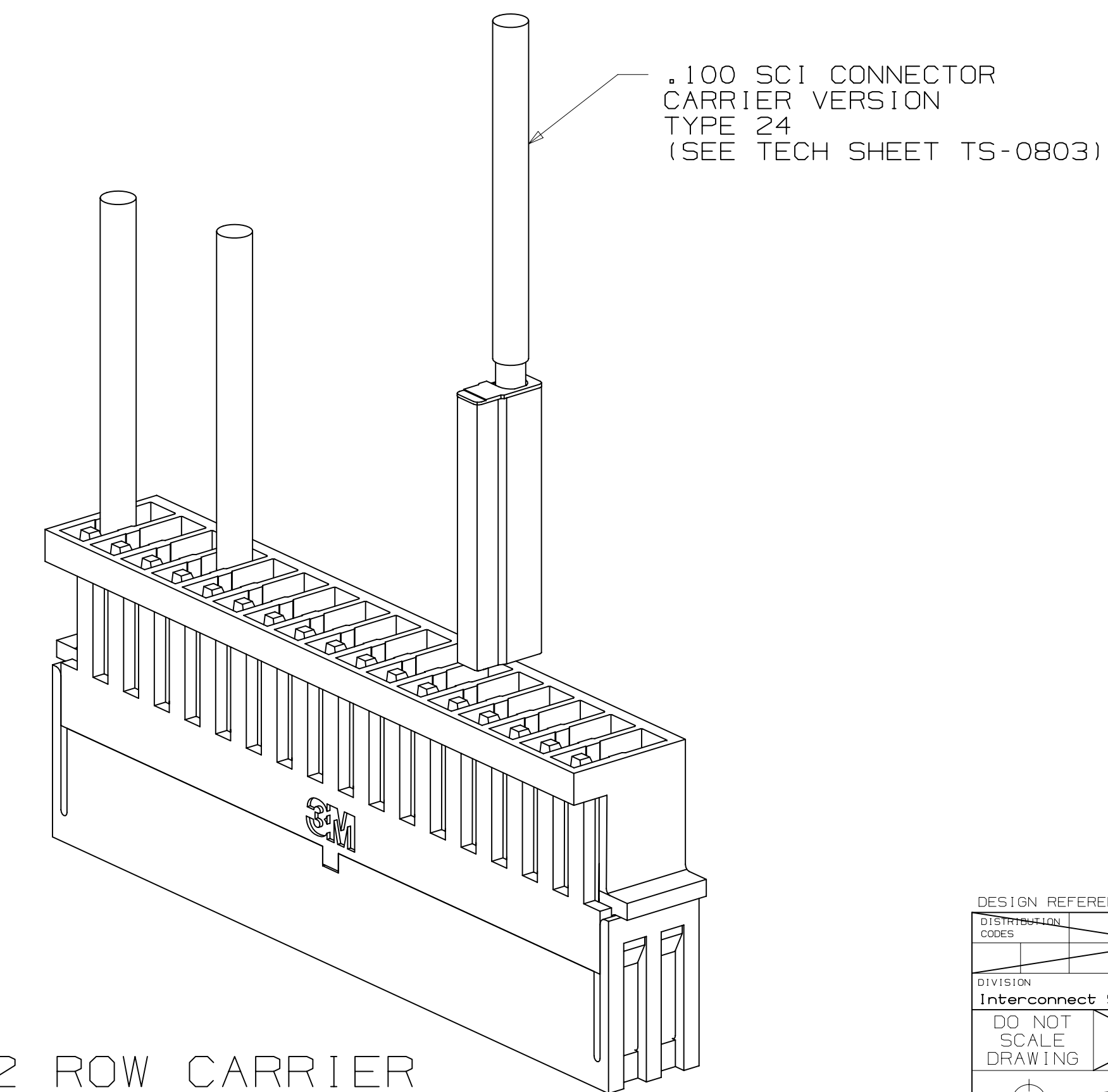
## PIN STRIP LATCH

- \* AVAILABLE FOR THE RIGHT ANGLE SCI CONNECTOR.
- \* RoHS COMPLIANT

## 2 PHYSICAL :

INSULATION MATERIAL:

- 2 ROW CARRIER: POLYCARBONATE
- 3 X 7 CARRIER: GLASS REINFORCED POLYESTER
- COLOR: BLACK
- FLAMMABILITY: UL 94V-0
- MARKINGS: 3M LOGO
- CONTACTS: COPPER ALLOY



1. REGULATORY INFORMATION:  
ROHS COMPLIANT. SEE THE REGULATORY INFORMATION APPENDIX (RIA) IN THE "ROHS COMPLIANCE" SECTION OF WWW.3MCONNECTORS.COM FOR COMPLIANCE INFORMATION.

2. IN THE EVENT OF CONFLICT BETWEEN THIS DATA AND THAT CONTAINED IN THE PRODUCT SPECIFICATION, THE PRODUCT SPECIFICATION TAKES PRECEDENT.

3M ELECTRONIC SOLUTIONS DIVISION  
INTERCONNECT SOLUTIONS  
<http://www.3mconnectors.com>

3M IS A TRADEMARK OF 3M COMPANY.  
FOR TECHNICAL, SALES OR ORDERING  
INFORMATION CALL 800-225-5373

|  |                            |   |              |                            |              |      |
|--|----------------------------|---|--------------|----------------------------|--------------|------|
| DESIGN REFERENCE   | NEXT ASSEMBLY              | REV   | ECO          | ISSUE DATE AND DESCRIPTION | DRFT         | CHKD |
|  |                            |   |              |                            |              |      |
| DIVISION   | DIVISION CODE              | DRFT  | DATE         | MFG                        | DATE         |      |
| Interconnect Solutions   | ISD                        | CASTIGLIONE   | JAN 03, 2013 |                            |              |      |
| DO NOT SCALE DRAWING   | TOLERANCES EXCEPT AS NOTED | CHKD  | DATE         | APPRV                      | DATE         |      |
|  |                            |   |              | R. SCHERER                 | JAN 03, 2013 |      |
| THIRD ANGLE PROJECTION   | INCHES                     |   |              |                            |              |      |
| INTERPRET PER ASME Y14.5 - 1994  | MILLIMETERS                |   |              |                            |              |      |
| MAX SURFACE ROUGHNESS  | 0 ±                        |   |              |                            |              |      |
| MARKED SURFACES  | .00 ± .01                  |   |              |                            |              |      |
| MARKED ONLY  | .000 ± .005                |   |              |                            |              |      |
|  | .0000 ±                    |   |              |                            |              |      |
|  | .0 ± .3                    |   |              |                            |              |      |
|  | .00 ± .13                  |   |              |                            |              |      |
|  | .000 ±                     |   |              |                            |              |      |
|  | ANGLES                     |   |              |                            |              |      |
| B 44714 JAN 03, 2013 JNC RS<br>REVISED AND REDRAWN   |                            | © 3M COPYRIGHT 2013<br>This document and the information it contains are 3M property and may not be reproduced or further distributed without 3M permission, or used or disclosed other than for 3M authorized purposes. All rights reserved. |              |                            |              |      |
| TITLE<br>ASSEMBLY HARDWARE,<br>.100 SCI CARRIER  |                            | CAGE NUMBER<br>D 78-5100-0802-8 B   |              |                            |              |      |
| MODEL<br>DET: <input type="checkbox"/> YES <input checked="" type="checkbox"/> NO SHT 1 OF 3 |                            |   |              |                            |              |      |

# 3M™ SHIELDED CONTROLLED IMPEDANCE (SCI)

.100" ASSEMBLY HARDWARE

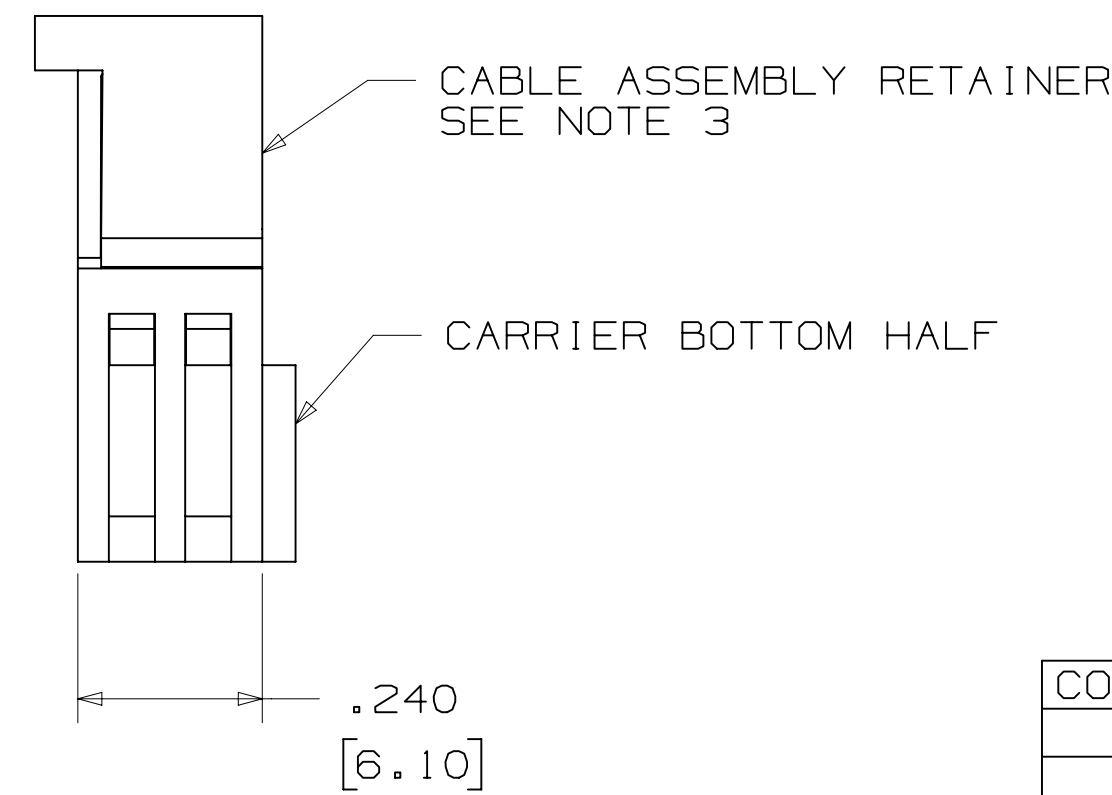
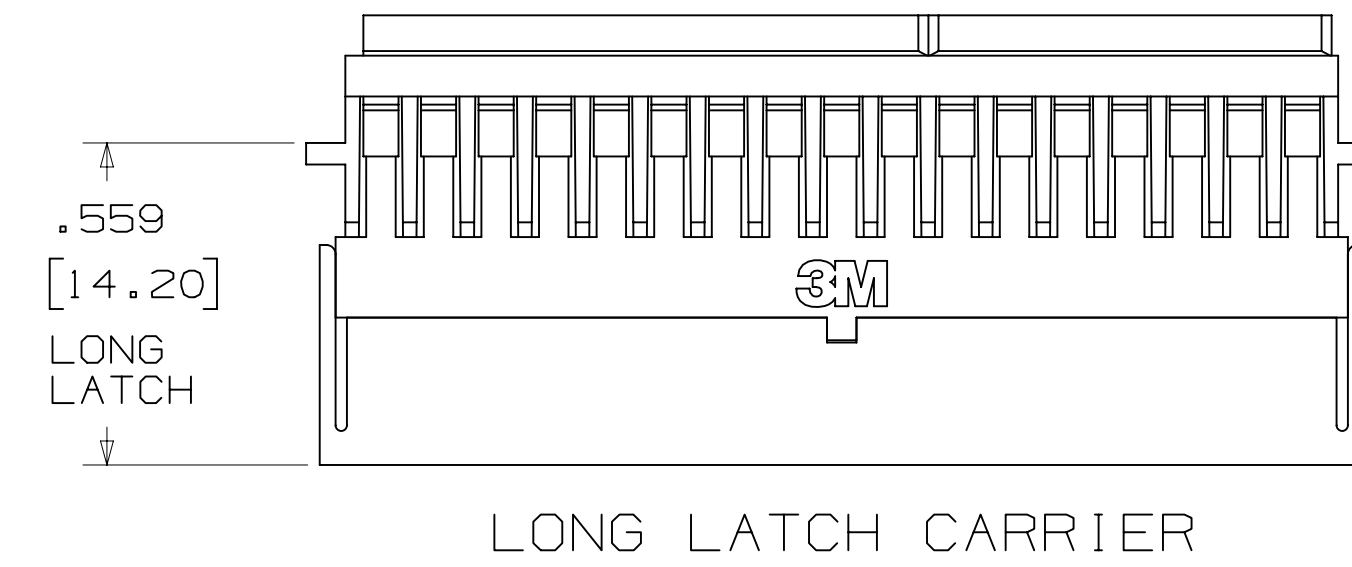
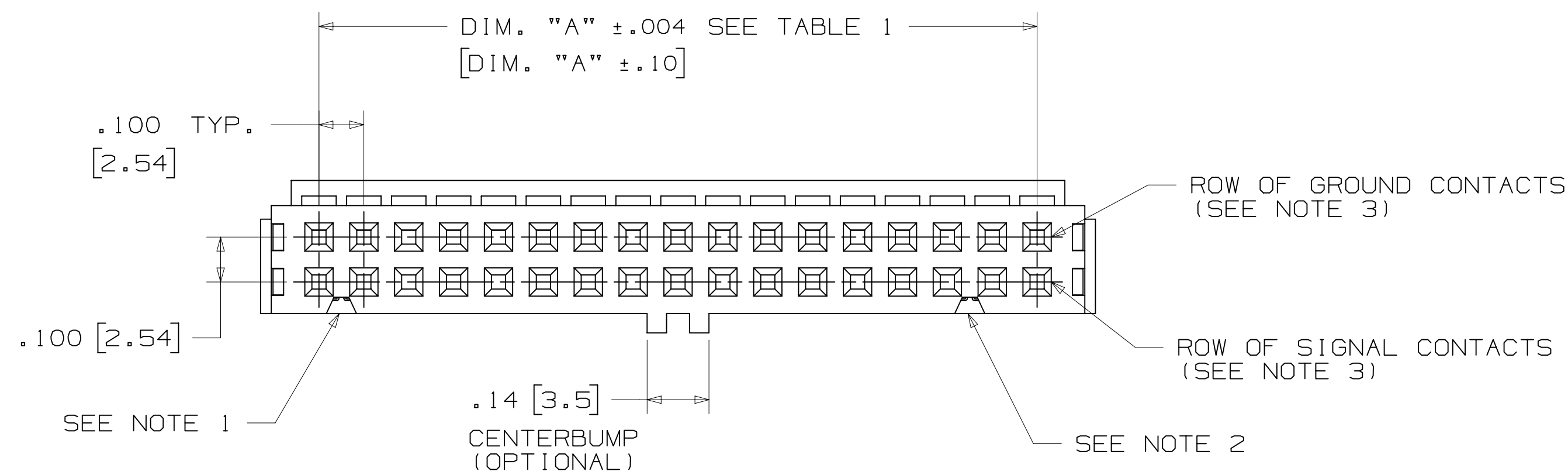


TABLE 1: CARRIER POSITIONS

| CONTACT QTY. | DIM. "A"     | DIM. "B"     | DIM. "C"     | DIM. "D"     |
|--------------|--------------|--------------|--------------|--------------|
| 06           | .20 [5.08]   | .41 [10.48]  | .32 [8.22]   | .46 [11.68]  |
| 08           | .30 [7.62]   | .51 [13.02]  | .42 [10.76]  | .56 [14.22]  |
| * 10         | .40 [10.16]  | .61 [15.56]  | .52 [13.30]  | .66 [16.76]  |
| 12           | .50 [12.70]  | .71 [18.10]  | .62 [15.84]  | .76 [19.30]  |
| * 14         | .60 [15.24]  | .81 [20.64]  | .72 [18.38]  | .86 [21.84]  |
| * 16         | .70 [17.78]  | .91 [23.18]  | .82 [20.92]  | .96 [24.38]  |
| * 20         | .90 [22.86]  | 1.11 [28.26] | 1.02 [26.00] | 1.16 [29.46] |
| * 26         | 1.20 [30.48] | 1.41 [35.88] | 1.32 [33.62] | 1.46 [37.08] |
| 30           | 1.40 [35.56] | 1.61 [40.96] | 1.52 [38.70] | 1.66 [42.16] |
| * 34         | 1.60 [40.64] | 1.81 [46.04] | 1.72 [43.78] | 1.86 [47.24] |
| * 40         | 1.90 [48.26] | 2.11 [53.66] | 2.02 [51.40] | 2.16 [54.86] |
| * 50         | 2.40 [60.96] | 2.61 [66.36] | 2.52 [64.10] | 2.66 [67.56] |
| 60           | 2.90 [73.66] | 3.11 [79.06] | 3.02 [76.80] | 3.16 [80.26] |
| * 64         | 3.10 [78.74] | 3.31 [84.14] | 3.22 [81.88] | 3.36 [85.34] |

\* TOOLED POSITIONS: CONTACT 3M SALES FOR ADDITIONAL POSITIONS



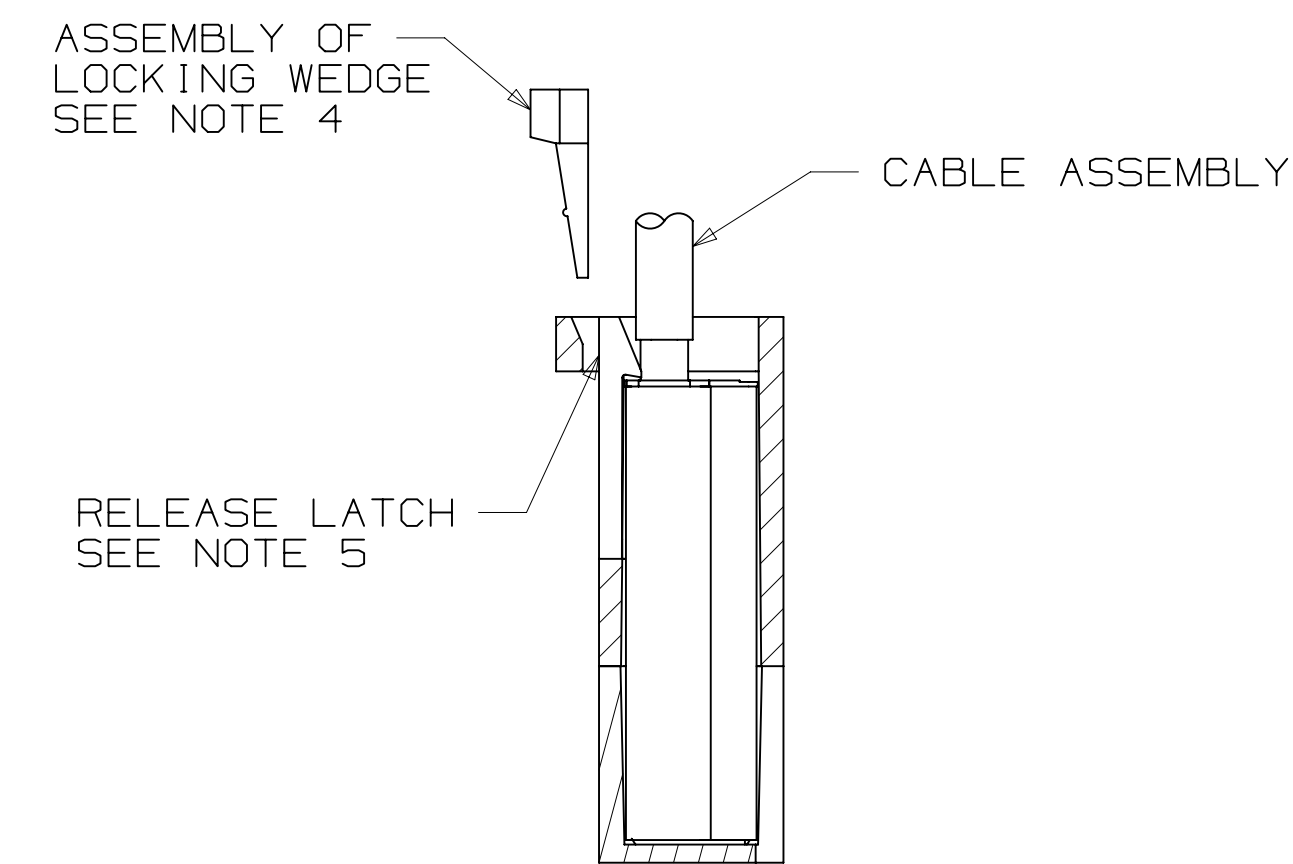
## ORDERING INFORMATION 2 ROW CARRIER HOUSING

98XX - XXXX

CONTACT QTY.  
SEE TABLE 1

MOLDED RETENTION FEATURE:  
MO = NORMAL  
MR = REVERSE

CARRIER STYLE:  
PS = CENTERBUMP, SHORT LATCHES  
NS = NO CENTERBUMP, SHORT LATCHES  
PL = CENTERBUMP, LONG LATCHES  
NL = NO CENTERBUMP, LONG LATCHES

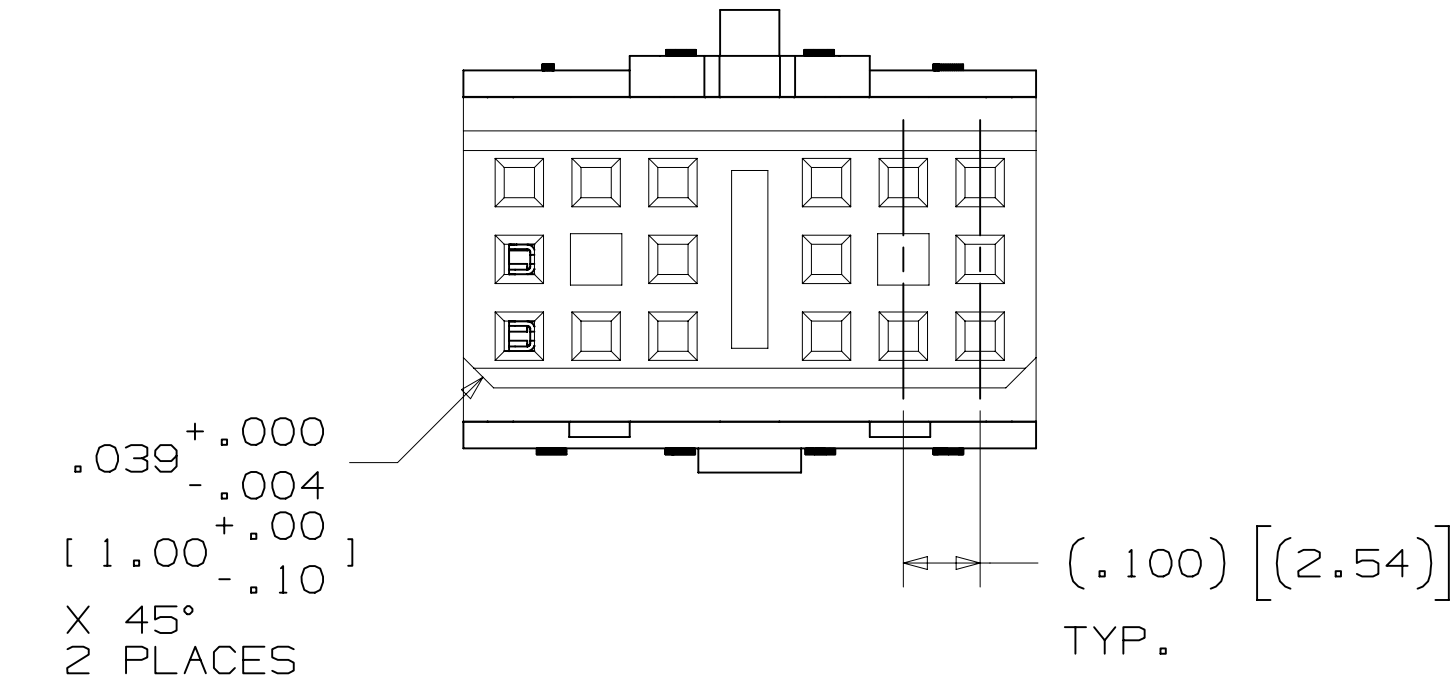
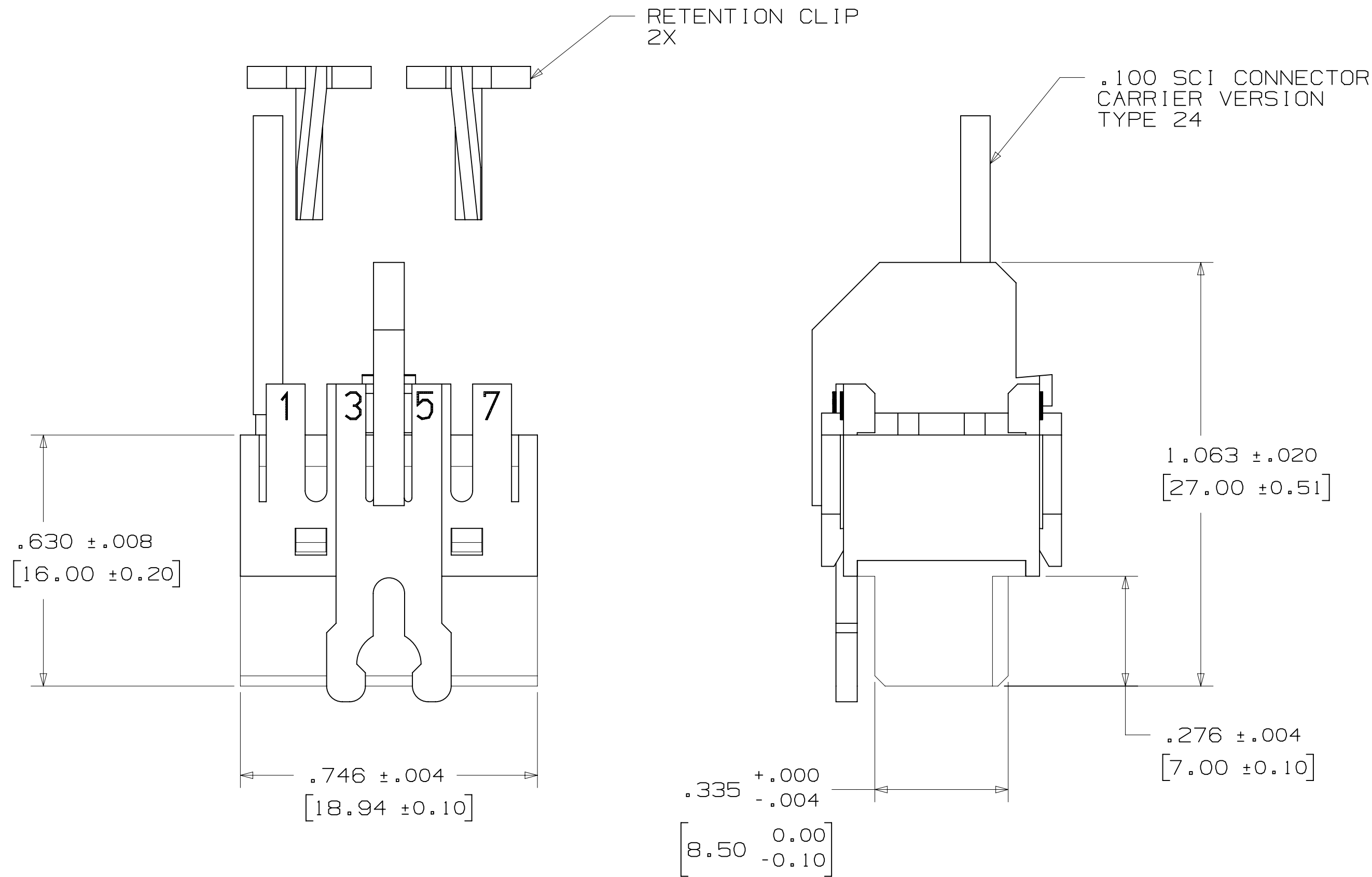
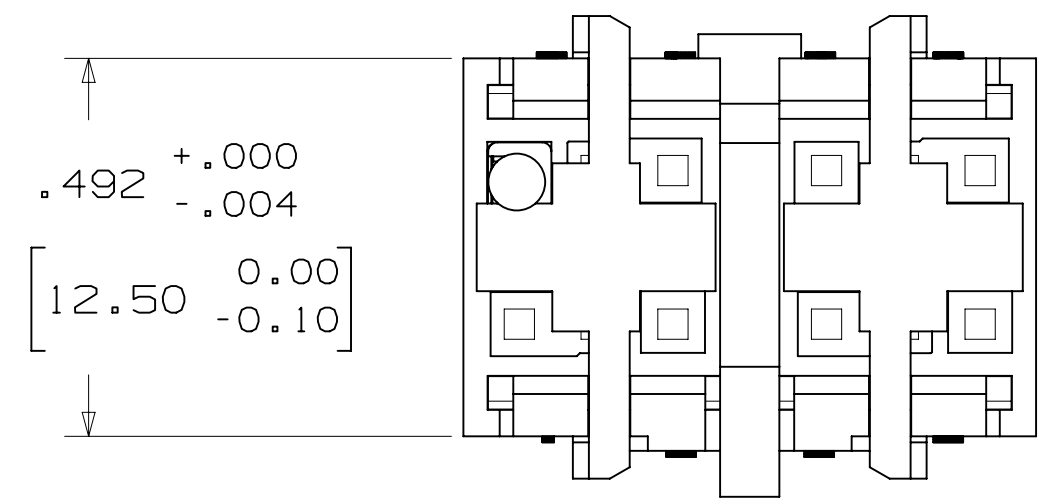


SECTION A - A

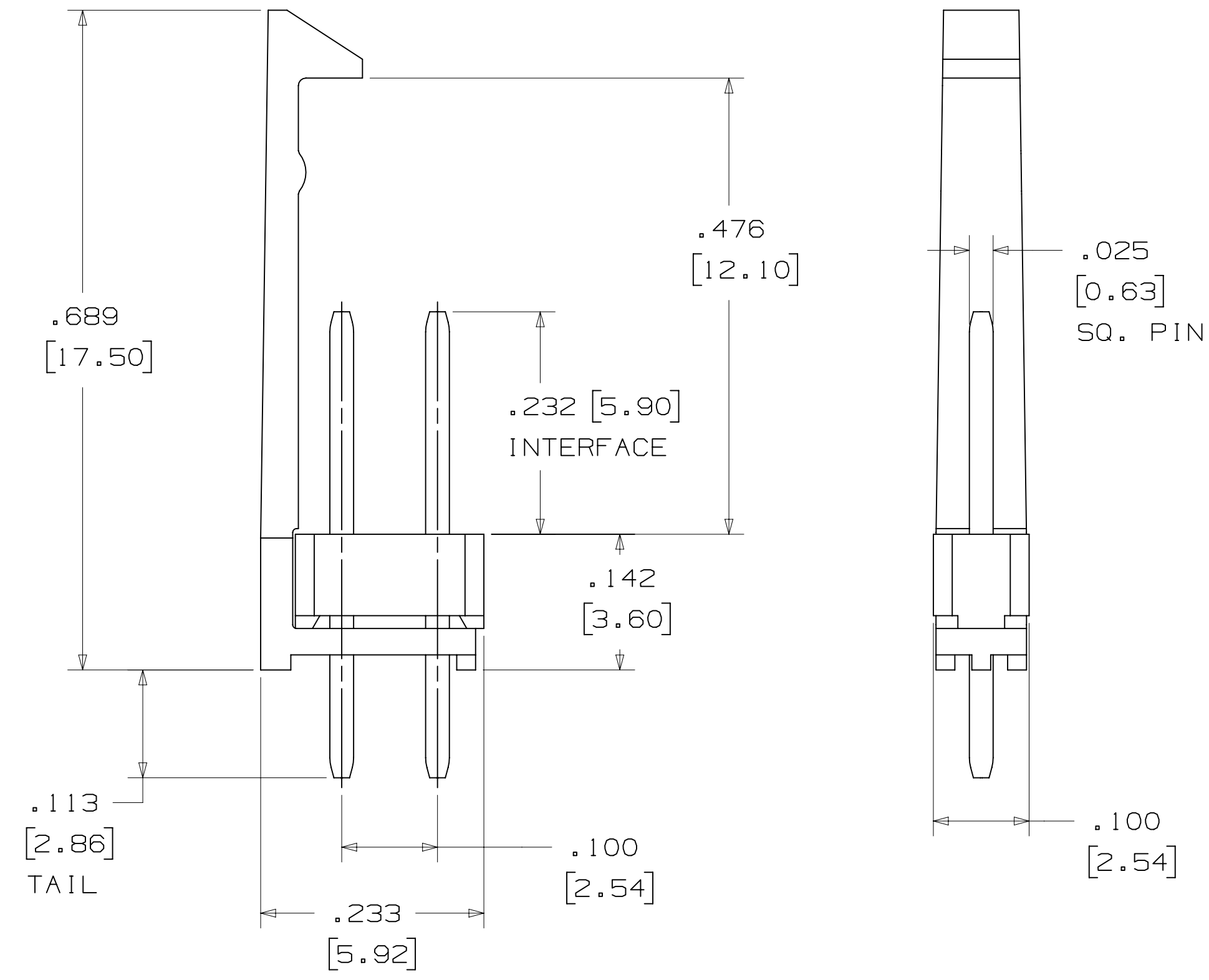
- NOTES
- 1 POLARIZING GROOVE OMITTED FOR POSITIONS 6 AND 8.
  - 2 POLARIZING GROOVE OMITTED FOR POSITIONS 6, 8, 10, 12 AND 14.
  - 3 THE NORMAL "MO" RETENTION STYLE IS ILLUSTRATED. FOR THE REVERSE "MR" RETENTION STYLE THE CABLE ASSEMBLY RETAINER IS FLIPPED 180° END TO END AND THE "SIGNAL" AND "GROUND" ROWS OF CONTACTS ARE ALSO REVERSED.
  - 4 OPTIONAL LOCKING WEDGE PREVENTS SCI REMOVAL. 25 POSITION (CUT TO LENGTH)
  - 5 RELEASE LATCH CAN BE MOVED WITH FINGERNAIL TO ALLOW REPLACEMENT OF SCI CABLE LINE.

|                                 |               |   |      |                            |      |      |
|---------------------------------|---------------|---|------|----------------------------|------|------|
| DESIGN REFERENCE                | NEXT ASSEMBLY | REV   | ECO  | ISSUE DATE AND DESCRIPTION | DRFT | CHKD |
|                                 |               |   |      | JAN 03, 2013               | JNC  | RS   |
| DIVISION CODES                  |               | DATE  | DATE | DATE                       | DATE | DATE |
| Interconnect Solutions          |               | JAN 03, 2013  | MFG  |                            |      |      |
| SCALE                           |               | DATE  | DATE | DATE                       | DATE | DATE |
| DRAWING                         |               |   |      |                            |      |      |
| TOLERANCES EXCEPT AS NOTED      |               |   |      |                            |      |      |
| INCHES                          |               | © 3M COPYRIGHT 2013<br>This document and the information it contains are 3M property and may not be reproduced or further distributed without 3M permission, or used or disclosed other than for 3M authorized purposes. All rights reserved. |      |                            |      |      |
| THIRD ANGLE PROJECTION          |               | TITLE<br>ASSEMBLY HARDWARE,<br>.100 SCI CARRIER   |      |                            |      |      |
| INTERPRET PER ASME Y14.5 - 1994 |               | CAGE NUMBER<br>D 78-5100-0802-8   |      |                            |      |      |
| MAX SURFACE ROUGHNESS           |               | DRAWING NO.<br>78-5100-0802-8   |      |                            |      |      |
| SURFACES                        |               | REV.<br>B   |      |                            |      |      |
| MARKED ONLY                     |               | MODEL<br>DET. YES NO SHT 2 OF 3   |      |                            |      |      |

3M™ SHIELDED CONTROLLED IMPEDANCE (SCI)  
 .100" ASSEMBLY HARDWARE



ORDERING INFORMATION  
 3 X 7 CARRIER HOUSING  
 9821-5000



ORDERING INFORMATION  
 PIN STRIP WITH LATCH  
 2402-3505 RC

|                        |                                 |                            |     |  |      |              |
|------------------------|---------------------------------|----------------------------|-----|--|------|--------------|
| DESIGN REFERENCE       | NEXT ASSEMBLY                   | REV                        | ECO | ISSUE DATE AND DESCRIPTION   | DRFT | CHKD         |
|                        |                                 |                            |     | JAN 03, 2013   | JNC  | RS           |
| DIVISION               |                                 | DATE                       |     | DATE   |      | DATE         |
| Interconnect Solutions |                                 | JAN 03, 2013               |     | R. SCHERER   |      | JAN 03, 2013 |
| DO NOT SCALE DRAWING   | SCALE                           | TOLERANCES EXCEPT AS NOTED |     | This document and the information it contains are 3M property and may not be reproduced or further distributed without 3M permission, or used or disclosed other than for 3M authorized purposes. All rights reserved. |      |              |
| THIRD ANGLE PROJECTION | INTERPRET PER ASME Y14.5 - 1994 | INCHES                     |     | MILLIMETERS  |      |              |
|                        |                                 | .00 ± .01                  |     | 0 ± .13  |      |              |
|                        |                                 | .000 ± .005                |     | .00 ± .13  |      |              |
|                        |                                 | .0000 ±                    |     | .000 ±   |      |              |
|                        |                                 | MAX SURFACE ROUGHNESS      |     | CAGE NUMBER  |      |              |
|                        |                                 | DTX SURFACES               |     | D 78-5100-0802-8   |      |              |
|                        |                                 | MARKED ONLY                |     | MODEL  |      |              |
|                        |                                 |                            |     | REV. B   |      |              |
|                        |                                 |                            |     | SHT 3 OF 3   |      |              |

Компания «Океан Электроники» предлагает заключение долгосрочных отношений при поставках импортных электронных компонентов на взаимовыгодных условиях!

Наши преимущества:

- Поставка оригинальных импортных электронных компонентов напрямую с производств Америки, Европы и Азии, а так же с крупнейших складов мира;
- Широкая линейка поставок активных и пассивных импортных электронных компонентов (более 30 млн. наименований);
- Поставка сложных, дефицитных, либо снятых с производства позиций;
- Оперативные сроки поставки под заказ (от 5 рабочих дней);
- Экспресс доставка в любую точку России;
- Помощь Конструкторского Отдела и консультации квалифицированных инженеров;
- Техническая поддержка проекта, помощь в подборе аналогов, поставка прототипов;
- Поставка электронных компонентов под контролем ВП;
- Система менеджмента качества сертифицирована по Международному стандарту ISO 9001;
- При необходимости вся продукция военного и аэрокосмического назначения проходит испытания и сертификацию в лаборатории (по согласованию с заказчиком);
- Поставка специализированных компонентов военного и аэрокосмического уровня качества (Xilinx, Altera, Analog Devices, Intersil, Interpoint, Microsemi, Actel, Aeroflex, Peregrine, VPT, Syfer, Eurofarad, Texas Instruments, MS Kennedy, Miteq, Cobham, E2V, MA-COM, Hittite, Mini-Circuits, General Dynamics и др.);

Компания «Океан Электроники» является официальным дистрибьютором и эксклюзивным представителем в России одного из крупнейших производителей разъемов военного и аэрокосмического назначения «JONHON», а так же официальным дистрибьютором и эксклюзивным представителем в России производителя высокотехнологичных и надежных решений для передачи СВЧ сигналов «FORSTAR».



## JONHON

«JONHON» (основан в 1970 г.)

Разъемы специального, военного и аэрокосмического назначения:

(Применяются в военной, авиационной, аэрокосмической, морской, железнодорожной, горно- и нефтедобывающей отраслях промышленности)

«FORSTAR» (основан в 1998 г.)

ВЧ соединители, коаксиальные кабели, кабельные сборки и микроволновые компоненты:

(Применяются в телекоммуникациях гражданского и специального назначения, в средствах связи, РЛС, а так же военной, авиационной и аэрокосмической отраслях промышленности).



Телефон: 8 (812) 309-75-97 (многоканальный)

Факс: 8 (812) 320-03-32

Электронная почта: [ocean@oceanchips.ru](mailto:ocean@oceanchips.ru)

Web: <http://oceanchips.ru/>

Адрес: 198099, г. Санкт-Петербург, ул. Калинина, д. 2, корп. 4, лит. А