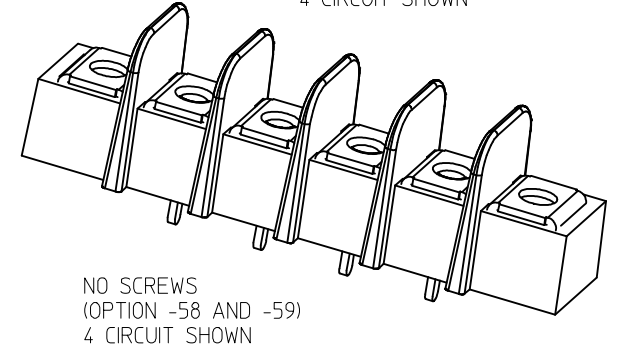
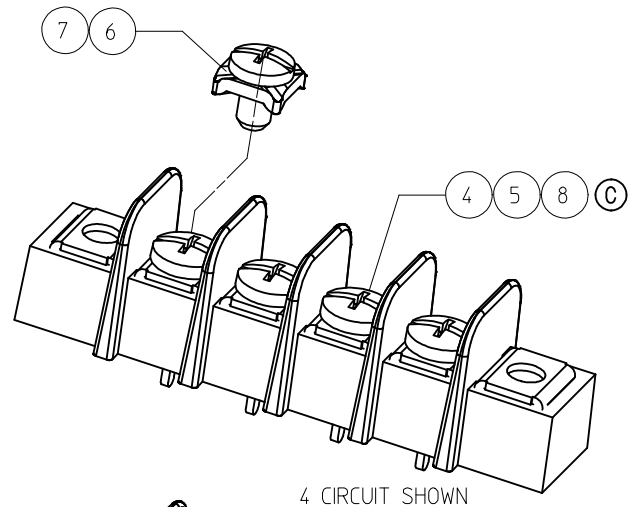
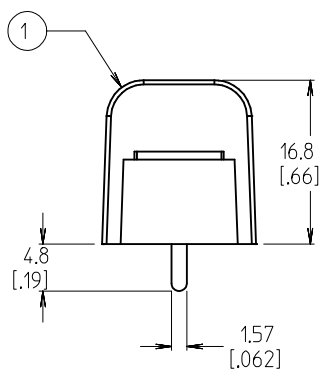
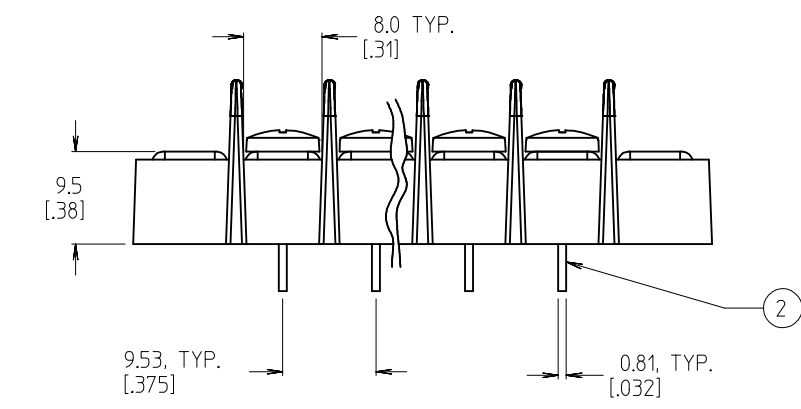


WIRE READY SPEC. (OPTION -47)  
(FOR OPTIONAL SCREW -50  
AND STANDARD SCREW.)



NOTES:

1. MATERIAL: SEE TABLE
2. FINISHES: SEE TABLE
3. INCH DIMENSIONS ARE IN BRACKETS [XXX].
4. REFER TO SD-38120-001 FOR IMPRINTING OPTIONS 10A AND 11A.
5. REFER TO SD-38120-007 FOR IMPRINTING OPTION 12A.
6. \*XX\* REFERS TO THE QUANTITY OF CIRCUITS.
7. ALL COMPONENTS ARE ROHS COMPLIANT.

|      |      |   |                 |                    |
|------|------|---|-----------------|--------------------|
| 10   | XX   | #6-32 WRDY W/WASH SCR (-47,-50)           | STEEL           | ZN, CLEAR CHROMATE |
| 9    | XX   | #6-32 PH/SLOT WRDY SCR (OPT -47)          | STEEL           | ZN, CLEAR CHROMATE |
| 8    | XX   | #6-32 BHD, PH-SL SCREW (OPT -56) <b>C</b> | STAINLESS STEEL | PASSIVATE          |
| 7    | XX   | #6-32 PH/SL W/WASH SCR (-49,-50)          | BRASS           | NICKEL             |
| 6    | XX   | #6-32 PH/SL W/WASH SCR (OPT -50)          | STEEL           | ZN, CLEAR CHROMATE |
| 5    | XX   | #6-32 PH/SLOTTED SCREW (OPT -49)          | BRASS           | NICKEL             |
| 4    | XX   | #6-32 PH/SLOTTED SCREW (STD)              | STEEL           | ZN, CLEAR CHROMATE |
| 3    | 2    | MOUNTING PLATE                            | BRASS           | NICKEL             |
| 2    | XX   | TERMINAL                                  | BRASS           | BRT.TIN/CU         |
| 1    | 1    | INSULATOR, SINGLE ROW                     | PBT             | BLACK              |
| ITEM | QTY. | DESCRIPTION                               | MATERIAL        | FINISH             |

CHG SS SCREW DRIVE RECESS  
EC NO: IPG2013-0364  
DRAWN: JENCINAS 2012/10/30  
CHKD: JMACNEIL 2012/10/30  
APPR: JMACNEIL 2012/11/05

QUALITY SYMBOLS  
▽=0  
▽=0

| GENERAL TOLERANCES (UNLESS SPECIFIED)                |              |
|--|--------------|
|  | mm INCH      |
| 4 PLACES   | ± --- ± ---  |
| 3 PLACES   | ± --- ± .005 |
| 2 PLACES   | ± 0.13 ± .01 |
| 1 PLACE  | ± 0.3 ± ---  |
| ANGULAR ± 2 °  |              |
| DRAFT WHERE APPLICABLE MUST REMAIN WITHIN DIMENSIONS |              |

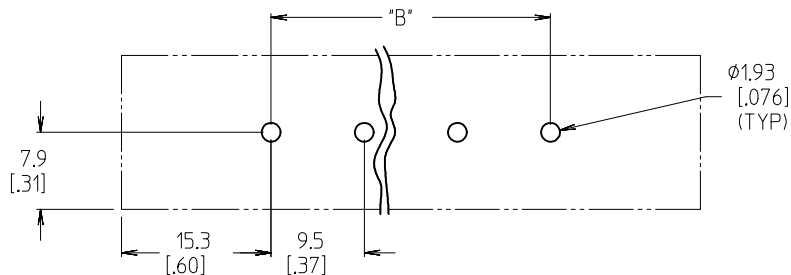
| DIMENSION STYLE |            |
|-----------------|------------|
| MM/IN           |            |
| DRAWN BY        | DATE       |
| W. HOWARD       | 2003/10/16 |
| CHECKED BY      | DATE       |
| R. KEMP         | 2003/10/16 |
| APPROVED BY     | DATE       |
| P. WALTZ        | 2003/10/16 |
| MATERIAL NO.    |            |

|                                |              |                        |
|--------------------------------|--------------|------------------------|
| SCALE                          | DESIGN UNITS | THIRD ANGLE PROJECTION |
| 2:1                            | INCH         | ☉ □                    |
| 9.53MM [.375"] SR BTS, PC ASSY |              |                        |
| MOLEX INCORPORATED             |              | SHEET NO.              |
| DOCUMENT NO.                   |              | 1 OF 2                 |
| SEE SHT. 2                     |              |                        |

THIS DRAWING CONTAINS INFORMATION THAT IS PROPRIETARY TO MOLEX INCORPORATED AND SHOULD NOT BE USED WITHOUT WRITTEN PERMISSION

| MATERIAL NO. (OPT 12A) | MATERIAL NO. (OPT 11A) | MATERIAL NO. (OPT 10A) | MATERIAL NO. (OPT -59) | MATERIAL NO. (OPT -58) | MATERIAL NO. (OPT -56) | MATERIAL NO. (OPT -50) | MATERIAL NO. (OPT -49,-50) | MATERIAL NO. (OPT -49) | MATERIAL NO. (OPT -47,-50) | MATERIAL NO. (STD) | NUMBER OF CIRCUITS "XX" |
|------------------------|------------------------|------------------------|------------------------|------------------------|------------------------|------------------------|----------------------------|------------------------|----------------------------|--------------------|-------------------------|
|                        |                        | 38729-1039             |                        | 38729-0750             | 38729-0659             | 38729-7402             | 38729-1381                 | 38729-6802             |                            | 38729-6201         | 01                      |
|                        |                        |                        |                        |                        | 38729-0791             | 38729-7403             |                            |                        |                            | 38729-6202         | 02                      |
| 38729-0872             | 38729-0025             | 38729-0014             |                        |                        | 38729-0117             | 38729-7404             | 38729-6803                 | 38729-8603             | 38729-6203                 | 38729-6203         | 03                      |
|                        |                        | 38729-0940             | 38729-0945             |                        | 38729-0839             | 38729-7404             | 38729-1159                 | 38729-6804             | 38729-6204                 | 38729-6204         | 04                      |
| 38729-0256             |                        | 38729-0346             |                        |                        | 38729-1253             | 38729-7405             | 38729-1382                 | 38729-6805             | 38729-6205                 | 38729-6205         | 05                      |
|                        |                        |                        | 38729-0400             | 38729-0386             | 38729-0980             | 38729-7406             | 38729-1383                 | 38729-6806             | 38729-6206                 | 38729-6206         | 06                      |
|                        |                        |                        | 38729-0423             | 38729-0407             | 38729-0435             | 38729-0440             | 38729-7407                 | 38729-6807             | 38729-6207                 | 38729-6207         | 07                      |
| 38729-0497             |                        |                        |                        | 38729-0508             | 38729-0532             | 38729-7408             |                            | 38729-6808             | 38729-6208                 | 38729-6208         | 08                      |
|                        |                        | 38729-0548             |                        | 38729-0560             |                        | 38729-7409             |                            | 38729-6809             | 38729-6209                 | 38729-6209         | 09                      |
|                        |                        | 38729-1011             | 38729-0598             | 38729-0598             |                        | 38729-7410             |                            | 38729-6810             | 38729-6210                 | 38729-6210         | 10                      |
|                        |                        |                        |                        |                        | 38729-1252             | 38729-7411             |                            |                        | 38729-6211                 | 38729-6211         | 11                      |
|                        |                        | 38729-0720             |                        |                        | 38729-0735             | 38729-7412             |                            | 38729-6812             | 38729-6212                 | 38729-6212         | 12                      |
|                        |                        |                        |                        | 38729-0809             |                        | 38729-7413             |                            |                        | 38729-6213                 | 38729-6213         | 13                      |
|                        |                        |                        |                        | 38729-0004             |                        | 38729-7414             |                            | 38729-6814             | 38729-6214                 | 38729-6214         | 14                      |
|                        |                        |                        |                        |                        |                        |                        |                            |                        | 38729-6215                 | 38729-6215         | 15                      |
|                        |                        |                        |                        |                        |                        |                        |                            |                        | 38729-6216                 | 38729-6216         | 16                      |
|                        |                        |                        |                        |                        |                        |                        |                            |                        | 38729-6217                 | 38729-6217         | 17                      |
|                        |                        |                        |                        |                        |                        |                        |                            |                        | 38729-6218                 | 38729-6218         | 18                      |
|                        |                        |                        |                        |                        |                        |                        |                            |                        | 38729-6219                 | 38729-6219         | 19                      |
|                        |                        |                        |                        |                        |                        |                        |                            |                        | 38729-6220                 | 38729-6220         | 20                      |
|                        |                        |                        |                        |                        |                        |                        |                            |                        | 38729-6221                 | 38729-6221         | 21                      |
|                        |                        |                        |                        |                        |                        |                        |                            |                        | 38729-6222                 | 38729-6222         | 22                      |
|                        |                        |                        |                        |                        |                        |                        |                            |                        | 38729-6223                 | 38729-6223         | 23                      |
|                        |                        |                        |                        |                        |                        |                        |                            |                        | 38729-6224                 | 38729-6224         | 24                      |
|                        |                        |                        |                        |                        |                        |                        |                            |                        | 38729-6225                 | 38729-6225         | 25                      |
|                        |                        |                        |                        |                        |                        |                        |                            |                        | 38729-6226                 | 38729-6226         | 26                      |

| NUMBER OF CIRCUITS "XX" | DIM. "A" |         | DIM. "B" |         | DIM. "C" |         | DIM. "D" |         |
|-------------------------|----------|---------|----------|---------|----------|---------|----------|---------|
| 01                      | 30.7     | [1.21]  | -        | -       | 19.1     | [.75]   | 11.6     | [.46]   |
| 02                      | 40.1     | [1.58]  | 9.53     | [.375]  | 28.6     | [1.13]  | 21.1     | [.83]   |
| 03                      | 49.7     | [1.96]  | 19.05    | [.750]  | 38.1     | [1.50]  | 30.6     | [1.21]  |
| 04                      | 59.2     | [2.33]  | 28.58    | [1.125] | 47.6     | [1.88]  | 40.1     | [1.58]  |
| 05                      | 68.7     | [2.71]  | 38.10    | [1.500] | 57.2     | [2.25]  | 49.7     | [1.96]  |
| 06                      | 78.2     | [3.08]  | 47.63    | [1.875] | 66.7     | [2.63]  | 59.2     | [2.33]  |
| 07                      | 87.8     | [3.46]  | 57.15    | [2.250] | 76.2     | [3.00]  | 68.7     | [2.71]  |
| 08                      | 97.3     | [3.83]  | 66.68    | [2.625] | 85.7     | [3.38]  | 78.2     | [3.08]  |
| 09                      | 106.8    | [4.21]  | 76.20    | [3.000] | 95.3     | [3.75]  | 87.8     | [3.46]  |
| 10                      | 116.3    | [4.58]  | 85.73    | [3.375] | 104.8    | [4.13]  | 97.3     | [3.83]  |
| 11                      | 125.9    | [4.96]  | 95.25    | [3.750] | 114.3    | [4.50]  | 106.8    | [4.21]  |
| 12                      | 135.4    | [5.33]  | 104.78   | [4.125] | 123.8    | [4.88]  | 116.3    | [4.58]  |
| 13                      | 144.9    | [5.71]  | 114.30   | [4.500] | 133.4    | [5.25]  | 125.9    | [4.96]  |
| 14                      | 154.4    | [6.08]  | 123.83   | [4.875] | 142.9    | [5.63]  | 135.4    | [5.33]  |
| 15                      | 164.0    | [6.46]  | 133.35   | [5.250] | 152.4    | [6.00]  | 144.9    | [5.71]  |
| 16                      | 173.5    | [6.83]  | 142.88   | [5.625] | 161.9    | [6.38]  | 154.4    | [6.08]  |
| 17                      | 183.0    | [7.21]  | 152.40   | [6.000] | 171.5    | [6.75]  | 164.0    | [6.46]  |
| 18                      | 192.5    | [7.58]  | 161.93   | [6.375] | 181.0    | [7.13]  | 173.5    | [7.21]  |
| 19                      | 202.1    | [7.96]  | 171.45   | [6.750] | 190.5    | [7.50]  | 183.0    | [7.58]  |
| 20                      | 211.6    | [8.33]  | 180.98   | [7.125] | 200.0    | [7.88]  | 192.5    | [7.96]  |
| 21                      | 221.1    | [8.71]  | 190.50   | [7.500] | 209.6    | [8.25]  | 202.1    | [8.33]  |
| 22                      | 230.6    | [9.08]  | 200.03   | [7.875] | 219.1    | [8.63]  | 211.6    | [8.71]  |
| 23                      | 240.2    | [9.46]  | 209.55   | [8.250] | 228.6    | [9.00]  | 221.1    | [9.08]  |
| 24                      | 249.7    | [9.83]  | 219.08   | [8.625] | 238.1    | [9.38]  | 230.6    | [9.46]  |
| 25                      | 259.2    | [10.21] | 228.60   | [9.000] | 247.7    | [9.75]  | 240.2    | [9.83]  |
| 26                      | 268.7    | [10.58] | 238.13   | [9.375] | 257.2    | [10.13] | 249.7    | [10.58] |



PTH PATTERN

| <b>SEE SHEET 1</b><br>EC NO: PG2013-0364<br>DRAWN: JENC INAS 2012/10/30<br>CHKD: JMACNEIL 2012/10/30<br>APPR: JMACNEIL 2012/11/05<br>REV DESCRIPTION | <b>QUALITY SYMBOLS</b><br>▽=0<br>▽=0 | <b>GENERAL TOLERANCES (UNLESS SPECIFIED)</b><br><table border="1"> <tr><th colspan="2">mm</th><th colspan="2">INCH</th></tr> <tr><td>4 PLACES</td><td>± ---</td><td>± ---</td><td></td></tr> <tr><td>3 PLACES</td><td>± ---</td><td>± .005</td><td></td></tr> <tr><td>2 PLACES</td><td>± 0.13</td><td>± .01</td><td></td></tr> <tr><td>1 PLACE</td><td>± 0.3</td><td>± ---</td><td></td></tr> </table> | mm                                  |                                     | INCH                       |  | 4 PLACES | ± --- | ± --- |  | 3 PLACES | ± --- | ± .005 |  | 2 PLACES | ± 0.13 | ± .01 |  | 1 PLACE | ± 0.3 | ± --- |  | <b>DIMENSION STYLE</b><br>MM/IN | <b>SCALE</b><br>2:1 | <b>DESIGN UNITS</b><br>INCH | THIRD ANGLE PROJECTION |
|--|--------------------------------------|--|-------------------------------------|-------------------------------------|----------------------------|--|----------|-------|-------|--|----------|-------|--------|--|----------|--------|-------|--|---------|-------|-------|--|---------------------------------|---------------------|-----------------------------|------------------------|
|  | mm                                   |  | INCH                                |                                     |                            |  |          |       |       |  |          |       |        |  |          |        |       |  |         |       |       |  |                                 |                     |                             |                        |
|  | 4 PLACES                             | ± ---  | ± ---                               |                                     |                            |  |          |       |       |  |          |       |        |  |          |        |       |  |         |       |       |  |                                 |                     |                             |                        |
|  | 3 PLACES                             | ± ---  | ± .005                              |                                     |                            |  |          |       |       |  |          |       |        |  |          |        |       |  |         |       |       |  |                                 |                     |                             |                        |
| 2 PLACES   | ± 0.13                               | ± .01  |                                     |                                     |                            |  |          |       |       |  |          |       |        |  |          |        |       |  |         |       |       |  |                                 |                     |                             |                        |
| 1 PLACE  | ± 0.3                                | ± ---  |                                     |                                     |                            |  |          |       |       |  |          |       |        |  |          |        |       |  |         |       |       |  |                                 |                     |                             |                        |
| <b>DRAFT WHERE APPLICABLE MUST REMAIN WITHIN DIMENSIONS</b>  |                                      | <b>SEE CHART</b>   | <b>MATERIAL NO.</b><br>SD-38720-001 | <b>DOCUMENT NO.</b><br>SD-38720-001 | <b>SHEET NO.</b><br>2 OF 2 | <b>TITLE</b><br>9.53MM [.375"] SR BTS, PC ASSY |          |       |       |  |          |       |        |  |          |        |       |  |         |       |       |  |                                 |                     |                             |                        |
| THIS DRAWING CONTAINS INFORMATION THAT IS PROPRIETARY TO MOLEX INCORPORATED AND SHOULD NOT BE USED WITHOUT WRITTEN PERMISSION                        |                                      |  |                                     |                                     |                            |  |          |       |       |  |          |       |        |  |          |        |       |  |         |       |       |  |                                 |                     |                             |                        |
| MOLEX INCORPORATED   |                                      |  |                                     |                                     |                            |  |          |       |       |  |          |       |        |  |          |        |       |  |         |       |       |  |                                 |                     |                             |                        |

Компания «Океан Электроники» предлагает заключение долгосрочных отношений при поставках импортных электронных компонентов на взаимовыгодных условиях!

Наши преимущества:

- Поставка оригинальных импортных электронных компонентов напрямую с производств Америки, Европы и Азии, а так же с крупнейших складов мира;
- Широкая линейка поставок активных и пассивных импортных электронных компонентов (более 30 млн. наименований);
- Поставка сложных, дефицитных, либо снятых с производства позиций;
- Оперативные сроки поставки под заказ (от 5 рабочих дней);
- Экспресс доставка в любую точку России;
- Помощь Конструкторского Отдела и консультации квалифицированных инженеров;
- Техническая поддержка проекта, помощь в подборе аналогов, поставка прототипов;
- Поставка электронных компонентов под контролем ВП;
- Система менеджмента качества сертифицирована по Международному стандарту ISO 9001;
- При необходимости вся продукция военного и аэрокосмического назначения проходит испытания и сертификацию в лаборатории (по согласованию с заказчиком);
- Поставка специализированных компонентов военного и аэрокосмического уровня качества (Xilinx, Altera, Analog Devices, Intersil, Interpoint, Microsemi, Actel, Aeroflex, Peregrine, VPT, Syfer, Eurofarad, Texas Instruments, MS Kennedy, Miteq, Cobham, E2V, MA-COM, Hittite, Mini-Circuits, General Dynamics и др.);

Компания «Океан Электроники» является официальным дистрибьютором и эксклюзивным представителем в России одного из крупнейших производителей разъемов военного и аэрокосмического назначения «JONHON», а так же официальным дистрибьютором и эксклюзивным представителем в России производителя высокотехнологичных и надежных решений для передачи СВЧ сигналов «FORSTAR».



## JONHON

«JONHON» (основан в 1970 г.)

Разъемы специального, военного и аэрокосмического назначения:

(Применяются в военной, авиационной, аэрокосмической, морской, железнодорожной, горно- и нефтедобывающей отраслях промышленности)

«FORSTAR» (основан в 1998 г.)

ВЧ соединители, коаксиальные кабели, кабельные сборки и микроволновые компоненты:

(Применяются в телекоммуникациях гражданского и специального назначения, в средствах связи, РЛС, а так же военной, авиационной и аэрокосмической отраслях промышленности).



Телефон: 8 (812) 309-75-97 (многоканальный)

Факс: 8 (812) 320-03-32

Электронная почта: [ocean@oceanchips.ru](mailto:ocean@oceanchips.ru)

Web: <http://oceanchips.ru/>

Адрес: 198099, г. Санкт-Петербург, ул. Калинина, д. 2, корп. 4, лит. А