



## BATTERY PROTECTION IC FOR 1-SERIAL TO 4-SERIAL-CELL PACK (SECONDARY PROTECTION)

[www.sii-ic.com](http://www.sii-ic.com)

© Seiko Instruments Inc., 2003-2012

Rev.6.1\_00

The S-8244 Series is used for secondary protection of lithium-ion batteries with from one to four cells, and incorporates a high-precision voltage detector circuit and a delay circuit. Short-circuits between cells accommodate series connection of one to four cells.

### ■ Features

- (1) Internal high-precision voltage detector circuit
  - Overcharge detection voltage range : 3.700 V to 4.500 V : Accuracy of  $\pm 25$  mV (at +25°C)  
(at a 5 mV/step) Accuracy of  $\pm 50$  mV (at -40°C to +85°C)
  - Hysteresis : 5 types  
0.38  $\pm$  0.1 V, 0.25  $\pm$  0.07 V, 0.13  $\pm$  0.04 V, 0.045  $\pm$  0.02 V, None
- (2) High withstand voltage device : Absolute maximum rating : 26 V
- (3) Wide operating voltage range : 3.6 V to 24 V (refers to the range in which the delay circuit can operate normally after overvoltage is detected)
- (4) Delay time during detection : Can be set by an external capacitor.
- (5) Low current consumption :
  - At 3.5 V for each cell : 3.0  $\mu$ A max. (+25°C)
  - At 2.3 V for each cell : 2.4  $\mu$ A max. (+25°C)
- (6) Output logic and form : 5 types
  - CMOS output active "H"
  - CMOS output active "L"
  - Pch open drain output active "L"
  - Nch open drain output active "H"
  - Nch open drain output active "L"
  - (CMOS / Nch open drain output for 0.045 V hysteresis models)
- (7) Lead-free, Sn 100%, halogen-free\*1

\*1. Refer to "■ Product Name Structure" for details.

### ■ Applications

- Lithium ion rechargeable battery packs (secondary protection)

### ■ Packages

- SNT-8A
- 8-Pin MSOP
- TMSOP-8

■ **Block Diagram**



**Remark** In the case of Nch open-drain output, only the Nch transistor will be connected to the CO pin.  
 In the case of Pch open-drain output, only the Pch transistor will be connected to the CO pin.

**Figure 1**

■ Product Name Structure

1. Product Name

(1) SNT-8A



\*1. Refer to the tape specifications at the end of this book.

\*2. Refer to the "3. Product Name List".

(2) 8-Pin MSOP



\*1. Refer to the tape specifications at the end of this book.

\*2. Refer to the "3. Product Name List".

(3) TMSOP-8



\*1. Refer to the tape specifications at the end of this book.

\*2. Refer to the "3. Product Name List".

2. Packages

| Package name | Drawing code |              |              |              |
|--------------|--------------|--------------|--------------|--------------|
|              | Package      | Tape         | Reel         | Land         |
| SNT-8A       | PH008-A-P-SD | PH008-A-C-SD | PH008-A-R-SD | PH008-A-L-SD |
| 8-Pin MSOP   | FN008-A-P-SD | FN008-A-C-SD | FN008-A-R-SD | —            |
| TMSOP-8      | FM008-A-P-SD | FM008-A-C-SD | FM008-A-R-SD | —            |

3. Product Name List

(1) SNT-8A

Table 1

| Product name/Item  | Overcharge detection voltage<br>[V <sub>CU</sub> ] | Overcharge hysteresis voltage<br>[V <sub>CD</sub> ] | Output form               |
|--------------------|--|---|---------------------------|
| S-8244AAAPH-CEATFx | 4.450 ± 0.025 V                                    | 0.38 ± 0.1 V  | CMOS output active "H"    |
| S-8244AABPH-CEBTFx | 4.200 ± 0.025 V                                    | 0 V   | Nch open drain active "H" |
| S-8244AADPH-CEDTFx | 4.200 ± 0.025 V                                    | 0 V   | Pch open drain active "L" |
| S-8244AAFPH-CEFTFx | 4.350 ± 0.025 V                                    | 0.045 ± 0.02 V                                      | CMOS output active "H"    |
| S-8244AAGPH-CEGTFx | 4.450 ± 0.025 V                                    | 0.045 ± 0.02 V                                      | CMOS output active "H"    |
| S-8244AAJPH-CEJTFx | 4.500 ± 0.025 V                                    | 0.38 ± 0.1 V  | CMOS output active "H"    |
| S-8244AASPH-CESTFx | 4.350 ± 0.025 V                                    | 0.38 ± 0.1 V  | CMOS output active "H"    |
| S-8244AAVPH-CEVTFx | 4.275 ± 0.025 V                                    | 0.045 ± 0.02 V                                      | CMOS output active "H"    |
| S-8244AAYPH-CEYTFx | 4.300 ± 0.025 V                                    | 0.25 ± 0.07 V                                       | CMOS output active "H"    |
| S-8244AAZPH-CEZTFx | 4.280 ± 0.025 V                                    | 0.25 ± 0.07 V                                       | CMOS output active "H"    |
| S-8244ABBPH-CFBTFx | 4.380 ± 0.025 V                                    | 0.25 ± 0.07 V                                       | CMOS output active "H"    |
| S-8244ABDPH-CFDTFx | 4.150 ± 0.025 V                                    | 0.045 ± 0.02 V                                      | CMOS output active "L"    |
| S-8244ABEPH-CFETFx | 4.215 ± 0.025 V                                    | 0 V   | Nch open drain active "L" |
| S-8244ABPH-CFHTFx  | 4.280 ± 0.025 V                                    | 0.045 ± 0.02 V                                      | CMOS output active "H"    |

Remark 1. Please contact our sales office for the products with the detection voltage value other than those specified above.

2. x: G or U

3. Please select products of environmental code = U for Sn 100%, halogen-free products.

(2) 8-Pin MSOP

Table 2

| Product name/Item  | Overcharge detection voltage<br>[V <sub>CU</sub> ] | Overcharge hysteresis voltage<br>[V <sub>CP</sub> ] | Output form               |
|--------------------|--|---|---------------------------|
| S-8244AAAFN-CEAT2z | 4.450 ± 0.025 V                                    | 0.38 ± 0.1 V  | CMOS output active "H"    |
| S-8244AABFN-CEBT2z | 4.200 ± 0.025 V                                    | 0 V   | Nch open drain active "H" |
| S-8244AACFN-CECT2z | 4.115 ± 0.025 V                                    | 0.13 ± 0.04 V                                       | CMOS output active "H"    |
| S-8244AADFN-CEDT2z | 4.200 ± 0.025 V                                    | 0 V   | Pch open drain active "L" |
| S-8244AAEFN-CEET2z | 4.225 ± 0.025 V                                    | 0 V   | Nch open drain active "H" |
| S-8244AAFFN-CEFT2z | 4.350 ± 0.025 V                                    | 0.045 ± 0.02 V                                      | CMOS output active "H"    |
| S-8244AAGFN-CEGT2z | 4.450 ± 0.025 V                                    | 0.045 ± 0.02 V                                      | CMOS output active "H"    |
| S-8244AAHFN-CEHT2z | 4.300 ± 0.025 V                                    | 0.25 ± 0.07 V                                       | CMOS output active "H"    |
| S-8244AAIFN-CEIT2z | 4.400 ± 0.025 V                                    | 0.045 ± 0.02 V                                      | CMOS output active "H"    |
| S-8244AAJFN-CEJT2z | 4.500 ± 0.025 V                                    | 0.38 ± 0.1 V  | CMOS output active "H"    |
| S-8244AAKFN-CEKT2z | 4.475 ± 0.025 V                                    | 0.38 ± 0.1 V  | CMOS output active "H"    |
| S-8244AALFN-CELT2z | 4.350 ± 0.025 V                                    | 0.25 ± 0.07 V                                       | CMOS output active "H"    |
| S-8244AAMFN-CEMT2z | 4.300 ± 0.025 V                                    | 0.25 ± 0.07 V                                       | CMOS output active "L"    |
| S-8244AANFN-CENT2z | 4.150 ± 0.025 V                                    | 0.25 ± 0.07 V                                       | CMOS output active "H"    |
| S-8244AAOFN-CEOT2z | 4.250 ± 0.025 V                                    | 0.25 ± 0.07 V                                       | CMOS output active "H"    |
| S-8244AAPFN-CEPT2z | 4.050 ± 0.025 V                                    | 0.25 ± 0.07 V                                       | CMOS output active "H"    |
| S-8244AAQFN-CEQT2z | 4.150 ± 0.025 V                                    | 0 V   | Nch open drain active "H" |
| S-8244AARFN-CERT2z | 4.300 ± 0.025 V                                    | 0.25 ± 0.07 V                                       | Nch open drain active "H" |
| S-8244AATFN-CETT2z | 4.200 ± 0.025 V                                    | 0.25 ± 0.07 V                                       | CMOS output active "H"    |
| S-8244AAUFN-CEUT2z | 3.825 ± 0.025 V                                    | 0.25 ± 0.07 V                                       | CMOS output active "H"    |
| S-8244AAWFN-CEWT2z | 4.500 ± 0.025 V                                    | 0.38 ± 0.1 V  | CMOS output active "L"    |
| S-8244AAXFN-CEXT2z | 4.025 ± 0.025 V                                    | 0.25 ± 0.07 V                                       | CMOS output active "H"    |
| S-8244ABAFN-CFAT2z | 4.220 ± 0.025 V                                    | 0.045 ± 0.02 V                                      | CMOS output active "H"    |
| S-8244ABGFN-CFGT2S | 4.225 ± 0.025 V                                    | 0.045 ± 0.02 V                                      | Nch open drain active "L" |
| S-8244ABIFN-CFIT2S | 4.100 ± 0.025 V                                    | 0 V   | Nch open drain active "L" |
| S-8244ABJFN-CFJT2S | 4.325 ± 0.025 V                                    | 0.045 ± 0.02 V                                      | Nch open drain active "L" |
| S-8244ABKFN-CFKT2S | 4.175 ± 0.025 V                                    | 0 V   | Nch open drain active "L" |

**Remark 1.** Please contact our sales office for the products with the detection voltage value other than those specified above.

2. z: G or S

3. Please select products of environmental code = U for Sn 100%, halogen-free products.

(3) TMSOP-8

Table 3

| Product name/Item  | Overcharge detection voltage<br>[V <sub>CU</sub> ] | Overcharge hysteresis voltage<br>[V <sub>CP</sub> ] | Output form               |
|--------------------|--|---|---------------------------|
| S-8244AAAFM-CEAT2U | 4.450 ± 0.025 V                                    | 0.38 ± 0.1 V  | CMOS output active "H"    |
| S-8244AAFFM-CEFT2U | 4.350 ± 0.025 V                                    | 0.045 ± 0.02 V                                      | CMOS output active "H"    |
| S-8244AAPFM-CEPT2U | 4.050 ± 0.025 V                                    | 0.25 ± 0.07 V                                       | CMOS output active "H"    |
| S-8244AAUFM-CEUT2U | 3.825 ± 0.025 V                                    | 0.25 ± 0.07 V                                       | CMOS output active "H"    |
| S-8244AAXFM-CEXT2U | 4.025 ± 0.025 V                                    | 0.25 ± 0.07 V                                       | CMOS output active "H"    |
| S-8244ABGFM-CFGT2U | 4.225 ± 0.025 V                                    | 0.045 ± 0.02 V                                      | Nch open drain active "L" |
| S-8244ABIFM-CFIT2U | 4.100 ± 0.025 V                                    | 0 V   | Nch open drain active "L" |
| S-8244ABJFM-CFJT2U | 4.325 ± 0.025 V                                    | 0.045 ± 0.02 V                                      | Nch open drain active "L" |
| S-8244ABKFM-CFKT2U | 4.175 ± 0.025 V                                    | 0 V   | Nch open drain active "L" |

**Remark** Please contact our sales office for the products with the detection voltage value other than those specified above.

■ Pin Configurations



Figure 2



Figure 3

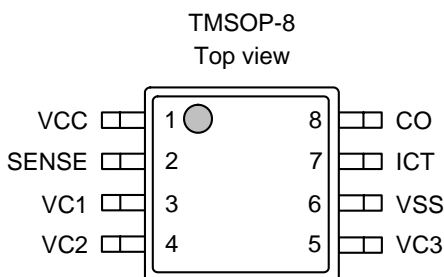


Figure 4

Table 4

| Pin No. | Symbol | Description   |
|---------|--------|---|
| 1       | CO     | FET gate connection pin for charge control  |
| 2       | ICT    | Capacitor connection pin for overcharge detection delay   |
| 3       | VSS    | Input pin for negative power supply,<br>Connection pin for battery 4's negative voltage             |
| 4       | VC3    | Connection pin for battery 3's negative voltage,<br>Connection pin for battery 4's positive voltage |
| 5       | VC2    | Connection pin for battery 2's negative voltage,<br>Connection pin for battery 3's positive voltage |
| 6       | VC1    | Connection pin for battery 1's negative voltage,<br>Connection pin for battery 2's positive voltage |
| 7       | SENSE  | Connection pin for battery 1's positive voltage   |
| 8       | VCC    | Input pin for positive power supply   |

Table 5

| Pin No. | Symbol | Description   |
|---------|--------|---|
| 1       | VCC    | Input pin for positive power supply   |
| 2       | SENSE  | Connection pin for battery 1's positive voltage   |
| 3       | VC1    | Connection pin for battery 1's negative voltage,<br>Connection pin for battery 2's positive voltage |
| 4       | VC2    | Connection pin for battery 2's negative voltage,<br>Connection pin for battery 3's positive voltage |
| 5       | VC3    | Connection pin for battery 3's negative voltage,<br>Connection pin for battery 4's positive voltage |
| 6       | VSS    | Input pin for negative power supply,<br>Connection pin for battery 4's negative voltage             |
| 7       | ICT    | Capacitor connection pin for overcharge detection delay   |
| 8       | CO     | FET gate connection pin for charge control  |

Table 6

| Pin No. | Symbol | Description   |
|---------|--------|---|
| 1       | VCC    | Input pin for positive power supply   |
| 2       | SENSE  | Connection pin for battery 1's positive voltage   |
| 3       | VC1    | Connection pin for battery 1's negative voltage,<br>Connection pin for battery 2's positive voltage |
| 4       | VC2    | Connection pin for battery 2's negative voltage,<br>Connection pin for battery 3's positive voltage |
| 5       | VC3    | Connection pin for battery 3's negative voltage,<br>Connection pin for battery 4's positive voltage |
| 6       | VSS    | Input pin for negative power supply,<br>Connection pin for battery 4's negative voltage             |
| 7       | ICT    | Capacitor connection pin for overcharge detection delay   |
| 8       | CO     | FET gate connection pin for charge control  |

■ Absolute Maximum Ratings

Table 7

(Ta = 25°C unless otherwise specified)

| Item                                   | Symbol                  | Applied pin          | Rating                       | Unit |
|--|-------------------------|----------------------|------------------------------|------|
| Input voltage between VCC and VSS      | $V_{DS}$                | VCC                  | $V_{SS}-0.3$ to $V_{SS}+26$  | V    |
| Delay capacitor connection pin voltage | $V_{ICT}$               | ICT                  | $V_{SS}-0.3$ to $V_{CC}+0.3$ | V    |
| Input pin voltage                      | $V_{IN}$                | SENSE, VC1, VC2, VC3 | $V_{SS}-0.3$ to $V_{CC}+0.3$ | V    |
| CO output pin voltage                  | (CMOS output)           | CO                   | $V_{SS}-0.3$ to $V_{CC}+0.3$ | V    |
|  | (Nch open drain output) |                      | $V_{SS}-0.3$ to 26           | V    |
|  | (Pch open drain output) |                      | $V_{CC}-26$ to $V_{CC}+0.3$  | V    |
| Power dissipation                      | SNT-8A                  | —                    | $450^{*1}$                   | mW   |
|  | 8-Pin MSOP              | —                    | $500^{*1}$                   | mW   |
|  | TMSOP-8                 | —                    | $650^{*1}$                   | mW   |
| Operating ambient temperature          | $T_{opr}$               | —                    | -40 to +85                   | °C   |
| Storage temperature                    | $T_{stg}$               | —                    | -40 to +125                  | °C   |

\*1. When mounted on board

[Mounted board]

- (1) Board size : 114.3 mm × 76.2 mm × t1.6 mm
- (2) Name : JEDEC STANDARD51-7

**Caution** The absolute maximum ratings are rated values exceeding which the product could suffer physical damage. These values must therefore not be exceeded under any conditions.



Figure 5 Power Dissipation of Package (When Mounted on Board)

■ **Electrical Characteristics**

**Table 8**

(Ta = 25 °C unless otherwise specified)

| Item   | Symbol             | Conditions                  | Min.                       | Typ.             | Max.                       | Unit  | Test conditions | Test circuit |
|--|--------------------|-----------------------------|----------------------------|------------------|----------------------------|-------|-----------------|--------------|
| <b>DETECTION VOLTAGE</b>                     |                    |                             |                            |                  |                            |       |                 |              |
| Overcharge detection voltage 1 *1            | V <sub>CU1</sub>   | 3.7 V to 4.5 V Adjustment   | V <sub>CU1</sub><br>-0.025 | V <sub>CU1</sub> | V <sub>CU1</sub><br>+0.025 | V     | 1               | 1            |
| Overcharge detection voltage 2 *1            | V <sub>CU2</sub>   | 3.7 V to 4.5 V Adjustment   | V <sub>CU2</sub><br>-0.025 | V <sub>CU2</sub> | V <sub>CU2</sub><br>+0.025 | V     | 2               | 1            |
| Overcharge detection voltage 3 *1            | V <sub>CU3</sub>   | 3.7 V to 4.5 V Adjustment   | V <sub>CU3</sub><br>-0.025 | V <sub>CU3</sub> | V <sub>CU3</sub><br>+0.025 | V     | 3               | 1            |
| Overcharge detection voltage 4 *1            | V <sub>CU4</sub>   | 3.7 V to 4.5 V Adjustment   | V <sub>CU4</sub><br>-0.025 | V <sub>CU4</sub> | V <sub>CU4</sub><br>+0.025 | V     | 4               | 1            |
| Overcharge hysteresis voltage 1 *2           | V <sub>CD1</sub>   | —                           | 0.28                       | 0.38             | 0.48                       | V     | 1               | 1            |
| Overcharge hysteresis voltage 2 *2           | V <sub>CD2</sub>   | —                           | 0.28                       | 0.38             | 0.48                       | V     | 2               | 1            |
| Overcharge hysteresis voltage 3 *2           | V <sub>CD3</sub>   | —                           | 0.28                       | 0.38             | 0.48                       | V     | 3               | 1            |
| Overcharge hysteresis voltage 4 *2           | V <sub>CD4</sub>   | —                           | 0.28                       | 0.38             | 0.48                       | V     | 4               | 1            |
| Detection voltage temperature coefficient *3 | T <sub>COE</sub>   | Ta = -40°C to +85°C*4       | -0.4                       | 0.0              | +0.4                       | mV/°C | —               | —            |
| <b>DELAY TIME</b>                            |                    |                             |                            |                  |                            |       |                 |              |
| Overcharge detection delay time              | t <sub>CU</sub>    | C = 0.1 μF                  | 1.0                        | 1.5              | 2.0                        | s     | 5               | 2            |
| <b>OPERATING VOLTAGE</b>                     |                    |                             |                            |                  |                            |       |                 |              |
| Operating voltage between VCC and VSS *5     | V <sub>DSOP</sub>  | —                           | 3.6                        | —                | 24                         | V     | —               | —            |
| <b>CURRENT CONSUMPTION</b>                   |                    |                             |                            |                  |                            |       |                 |              |
| Current consumption during normal operation  | I <sub>OPE</sub>   | V1 = V2 = V3 = V4 = 3.5 V   | —                          | 1.5              | 3.0                        | μA    | 6               | 3            |
| Current consumption at power down            | I <sub>PDN</sub>   | V1 = V2 = V3 = V4 = 2.3 V   | —                          | 1.2              | 2.4                        | μA    | 6               | 3            |
| VC1 sink current                             | I <sub>VC1</sub>   | V1 = V2 = V3 = V4 = 3.5 V   | -0.3                       | —                | 0.3                        | μA    | 6               | 3            |
| VC2 sink current                             | I <sub>VC2</sub>   | V1 = V2 = V3 = V4 = 3.5 V   | -0.3                       | —                | 0.3                        | μA    | 6               | 3            |
| VC3 sink current                             | I <sub>VC3</sub>   | V1 = V2 = V3 = V4 = 3.5 V   | -0.3                       | —                | 0.3                        | μA    | 6               | 3            |
| <b>OUTPUT VOLTAGE*6</b>                      |                    |                             |                            |                  |                            |       |                 |              |
| CO "H" voltage                               | V <sub>CO(H)</sub> | at I <sub>OUT</sub> = 10 μA | V <sub>CC</sub><br>-0.05   | —                | —                          | V     | 7               | 4            |
| CO "L" voltage                               | V <sub>CO(L)</sub> | at I <sub>OUT</sub> = 10 μA | —                          | —                | V <sub>SS</sub><br>+0.05   | V     | 7               | 4            |

\*1. ± 50 mV when Ta = -40°C to +85°C.

\*2. 0.25 ± 0.07 V, 0.13 ± 0.04 V, 0.045 ± 0.02 V except for 0.38 V hysteresis models.

\*3. Overcharge detection voltage or overcharge hysteresis voltage.

\*4. Since products are not screened at high and low temperature, the specification for this temperature range is guaranteed by design, not tested in production.

\*5. After detecting the overcharge, the delay circuit operates normally in the range of operating voltage.

\*6. Output logic and CMOS or open drain output can be selected.



## ■ Test Circuits

### (1) Test Condition 1, Test Circuit 1

Set switches 1 and 2 to OFF for CMOS output product.

Set switch 1 to ON and switch 2 to OFF for Nch open drain product.

Set switch 1 to OFF and switch 2 to ON for Pch open drain product.

- Product with CMOS output active “H”, Nch open drain output active “H”

The overcharge detection voltage 1 ( $V_{CU1}$ ) is a voltage at V1; when the CO pin’s voltage is set to “H” by increasing V1 gradually, after setting  $V1 = V2 = V3 = V4 = 3.5$  V. After that, gradually decreasing V1’s voltage to set CO = “L”, and the difference of this V1’s voltage and  $V_{CU1}$  is the overcharge hysteresis voltage 1 ( $V_{CD1}$ ).

- Product with CMOS output active “L”, Nch open drain output active “L”, Pch open drain output active “L”

The overcharge detection voltage 1 ( $V_{CU1}$ ) is a voltage at V1; when the CO pin’s voltage is set to “L” by increasing V1 gradually, after setting  $V1 = V2 = V3 = V4 = 3.5$  V. After that, gradually decreasing V1’s voltage to set CO = “H”, and the difference of this V1’s voltage and  $V_{CU1}$  is the overcharge hysteresis voltage 1 ( $V_{CD1}$ ).

### (2) Test Condition 2, Test Circuit 1

Set switches 1 and 2 to OFF for CMOS output product.

Set switch 1 to ON and switch 2 to OFF for Nch open drain product.

Set switch 1 to OFF and switch 2 to ON for Pch open drain product.

- Product with CMOS output active “H”, Nch open drain output active “H”

The overcharge detection voltage 2 ( $V_{CU2}$ ) is a voltage at V2; when the CO pin’s voltage is set to “H” by increasing V2 gradually, after setting  $V1 = V2 = V3 = V4 = 3.5$  V. After that, gradually decreasing V2’s voltage to set CO = “L”, and the difference of this V2’s voltage and  $V_{CU2}$  is the overcharge hysteresis voltage 2 ( $V_{CD2}$ ).

- Product with CMOS output active “L”, Nch open drain output active “L”, Pch open drain output active “L”

The overcharge detection voltage 2 ( $V_{CU2}$ ) is a voltage at V2; when the CO pin’s voltage is set to “L” by increasing V2 gradually, after setting  $V1 = V2 = V3 = V4 = 3.5$  V. After that, gradually decreasing V2’s voltage to set CO = “H”, and the difference of this V2’s voltage and  $V_{CU2}$  is the overcharge hysteresis voltage 2 ( $V_{CD2}$ ).

### (3) Test Condition 3, Test Circuit 1

Set switches 1 and 2 to OFF for CMOS output product.

Set switch 1 to ON and switch 2 to OFF for Nch open drain product.

Set switch 1 to OFF and switch 2 to ON for Pch open drain product.

- Product with CMOS output active “H”, Nch open drain output active “H”

The overcharge detection voltage 3 ( $V_{CU3}$ ) is a voltage at V3; when the CO pin’s voltage is set to “H” by increasing V3 gradually, after setting  $V1 = V2 = V3 = V4 = 3.5$  V. After that, gradually decreasing V3’s voltage to set CO = “L”, and the difference of this V3’s voltage and  $V_{CU3}$  is the overcharge hysteresis voltage 3 ( $V_{CD3}$ ).

- Product with CMOS output active “L”, Nch open drain output active “L”, Pch open drain output active “L”

The overcharge detection voltage 3 ( $V_{CU3}$ ) is a voltage at V3; when the CO pin’s voltage is set to “L” by increasing V3 gradually, after setting  $V1 = V2 = V3 = V4 = 3.5$  V. After that, gradually decreasing V3’s voltage to set CO = “H”, and the difference of this V3’s voltage and  $V_{CU3}$  is the overcharge hysteresis voltage 3 ( $V_{CD3}$ ).

**(4) Test Condition 4, Test Circuit 1**

Set switches 1 and 2 to OFF for CMOS output product.  
Set switch 1 to ON and switch 2 to OFF for Nch open drain product.  
Set switch 1 to OFF and switch 2 to ON for Pch open drain product.

- Product with CMOS output active “H”, Nch open drain output active “H”

The overcharge detection voltage 4 ( $V_{CU4}$ ) is a voltage at V4; when the CO pin's voltage is set to “H” by increasing V4 gradually, after setting  $V1 = V2 = V3 = V4 = 3.5$  V. After that, gradually decreasing V4's voltage to set CO = “L”, and the difference of this V4's voltage and  $V_{CU4}$  is the overcharge hysteresis voltage 4 ( $V_{CD4}$ ).

- Product with CMOS output active “L”, Nch open drain output active “L”, Pch open drain output active “L”

The overcharge detection voltage 4 ( $V_{CU4}$ ) is a voltage at V4; when the CO pin's voltage is set to “L” by increasing V4 gradually, after setting  $V1 = V2 = V3 = V4 = 3.5$  V. After that, gradually decreasing V4's voltage to set CO = “H”, and the difference of this V4's voltage and  $V_{CU4}$  is the overcharge hysteresis voltage 4 ( $V_{CD4}$ ).

**(5) Test Condition 5, Test Circuit 2**

Set switches 1 and 2 to OFF for CMOS output product.  
Set switch 1 to ON and switch 2 to OFF for Nch open drain product.  
Set switch 1 to OFF and switch 2 to ON for Pch open drain product.

- Product with CMOS output active “H”, Nch open drain output active “H”

Rise V1 to 4.7 V momentarily within 10  $\mu$ s after setting  $V1 = V2 = V3 = V4 = 3.5$  V. The period from V1 having reached 4.7 V to CO = “H” is the overcharge detection delay time ( $t_{CU}$ ).

- Product with CMOS output active “L”, Nch open drain output active “L”, Pch open drain output active “L”

Rise V1 to 4.7 V momentarily within 10  $\mu$ s after setting  $V1 = V2 = V3 = V4 = 3.5$  V. The period from V1 having reached 4.7 V to CO = “L” is the overcharge detection delay time ( $t_{CU}$ ).

**(6) Test Condition 6, Test Circuit 3**

Measure current consumption (I1) setting  $V1 = V2 = V3 = V4 = 2.3$  V. This I1 is current consumption at power-down ( $I_{PDN}$ ).

Measure current consumption (I1) setting  $V1 = V2 = V3 = V4 = 3.5$  V. This I1 is current consumption during normal operation ( $I_{OPE}$ ), I2 is the VC1 sink current ( $I_{VC1}$ ), I3 is the VC2 sink current ( $I_{VC2}$ ), I4 is the VC3 sink current ( $I_{VC3}$ ).

**(7) Test Condition 7, Test Circuit 4**

Measure setting switch 1 to OFF and switch 2 to ON.

- Product with CMOS output active "H"

Decrease V6 from  $V_{CC}$  gradually after setting  $V1 = V2 = V3 = V4 = 4.6$  V, the V6's voltage when flowing  $I2 = -10$   $\mu$ A is the  $V_{CO(H)}$  voltage.

Increase V6 from 0 V gradually after setting  $V1 = V2 = V3 = V4 = 3.5$  V, the V6's voltage when flowing  $I2 = 10$   $\mu$ A is the  $V_{CO(L)}$  voltage.

- Product with CMOS output active "L"

Decrease V6 from  $V_{CC}$  gradually after setting  $V1 = V2 = V3 = V4 = 3.5$  V, the V6's voltage when flowing  $I2 = -10$   $\mu$ A is the  $V_{CO(H)}$  voltage.

Increase V6 from 0 V gradually after setting  $V1 = V2 = V3 = V4 = 4.6$  V, the V6's voltage when flowing  $I2 = 10$   $\mu$ A is the  $V_{CO(L)}$  voltage.

- Product with Pch open drain output active "L"

Decrease V6 from  $V_{CC}$  gradually after setting  $V1 = V2 = V3 = V4 = 3.5$  V, the V6's voltage when flowing  $I2 = -10$   $\mu$ A is the  $V_{CO(H)}$  voltage.

- Product with Nch open drain output active "H"

Increase V6 from 0 V gradually after setting  $V1 = V2 = V3 = V4 = 3.5$  V, the V6's voltage when flowing  $I2 = 10$   $\mu$ A is the  $V_{CO(L)}$  voltage.

- Product with Nch open drain output active "L"

Increase V6 from 0 V gradually after setting  $V1 = V2 = V3 = V4 = 4.6$  V, the V6's voltage when flowing  $I2 = 10$   $\mu$ A is the  $V_{CO(L)}$  voltage.



**Test Circuit 1**



**Test Circuit 2**



**Test Circuit 3**



**Test Circuit 4**

**Figure 6**

**■ Operation**

**Remark** Refer to “ ■ Battery Protection IC Connection Example”.

**1. Overcharge Detection**

- Product with CMOS output active “H”, Nch open drain output active “H”

During charging in the normal status, any of battery voltages exceeds overcharge detection voltage ( $V_{CU}$ ), and this status is maintained for overcharge detection delay time ( $t_{CU}$ ) or longer, CO gets “H”. This is overcharge status. Connecting an FET to the CO pin enables charge-control and the second protect.

In this case, the IC maintains the overcharge status until all battery voltages decreases, to the overcharge hysteresis voltage ( $V_{CD}$ ) from the overcharge detection voltage ( $V_{CU}$ ).

- Product with CMOS output active “L”, Nch open drain output active “L”, Pch open drain output active “L”

During charging in the normal status, any of battery voltages exceeds overcharge detection voltage ( $V_{CU}$ ), and this status is maintained for overcharge detection delay time ( $t_{CU}$ ) or longer, CO gets “L”. This is overcharge status. Connecting an FET to the CO pin enables charge-control and the second protect.

In this case, the IC maintains the overcharge status until all battery voltages decreases, to the overcharge hysteresis voltage ( $V_{CD}$ ) from the overcharge detection voltage ( $V_{CU}$ ).

**2. Delay Circuit**

The delay circuit rapidly charges the capacitor connected to the delay capacitor connection pin up to a specified voltage when the voltage of one of the batteries exceeds the overcharge detection voltage ( $V_{CU}$ ). Then, the delay circuit gradually discharges the capacitor at 100 nA and inverts the CO output when the voltage at the delay capacitor connection pin goes below a specified level. Overcharge detection delay time ( $t_{CU}$ ) varies depending upon the external capacitor.

Each delay time is calculated using the following equation.

$$t_{CU}[s] = \text{Delay Coefficient} \begin{matrix} \text{Min.} & \text{Typ.} & \text{Max.} \\ (10, & 15, & 20) \end{matrix} \times C_{ICT} [\mu F]$$

Because the delay capacitor is rapidly charged, the smaller the capacitance, the larger the difference between the maximum voltage and the specified value of delay capacitor pin (ICT pin). This will cause a deviation between the calculated delay time and the resultant delay time. Also, delay time is internally set in this IC to prevent the CO output from inverting until the charge to delay capacitor pin is reached to the specified voltage. If large capacitance is used, output may be enabled without delay time because charge is disabled within the internal delay time.

Please note that the maximum capacitance connected to the delay capacitor pin (ICT pin) is 1  $\mu F$ .

■ Timing Chart



Figure 7

■ Battery Protection IC Connection Example

(1) Connection Example 1



Figure 8

Table 9 Constants for External Components 1

| Symbol           | Min. | Typ. | Max. | Unit |
|------------------|------|------|------|------|
| R1 to R4         | 0    | 1 k  | 10 k | Ω    |
| C1 to C4         | 0    | 0.1  | 1    | μF   |
| R <sub>VCC</sub> | 0    | 100  | 1 k  | Ω    |
| C <sub>VCC</sub> | 0    | 0.1  | 1    | μF   |
| C <sub>ICT</sub> | 0    | 0.1  | 1    | μF   |

- Caution1.** The above constants may be changed without notice.
- It has not been confirmed whether the operation is normal or not in circuits other than the above example of connection. In addition, the example of connection shown above and the constant do not guarantee proper operation. Perform through evaluation using the actual application to set the constant.

[For SC PROTECTOR, contact]

Sony Chemical & Information Device Corporation, Electronic Device Marketing & Sales Dept.  
 Gate City Osaki East Tower 8F, 1-11-2  
 Osaki, Shinagawa-ku, Tokyo, 141-0032 Japan  
 TEL +81-3-5435-3943  
 Contact Us: <http://www.sonycid.jp/en/>

(2) Connection Example 2 (for 3-cells)



Figure 9

Table 10 Constants for External Components 2

| Symbol    | Min. | Typ. | Max. | Unit          |
|-----------|------|------|------|---------------|
| R1 to R3  | 0    | 1 k  | 10 k | $\Omega$      |
| C1 to C3  | 0    | 0.1  | 1    | $\mu\text{F}$ |
| $R_{VCC}$ | 0    | 100  | 1 k  | $\Omega$      |
| $C_{VCC}$ | 0    | 0.1  | 1    | $\mu\text{F}$ |
| $C_{ICT}$ | 0    | 0.1  | 1    | $\mu\text{F}$ |

Caution1. The above constants may be changed without notice.

- It has not been confirmed whether the operation is normal or not in circuits other than the above example of connection. In addition, the example of connection shown above and the constant do not guarantee proper operation. Perform through evaluation using the actual application to set the constant.



(3) Connection Example 3 (for 2-cells)



Figure 10

Table 11 Constants for External Components 3

| Symbol    | Min. | Typ. | Max. | Unit          |
|-----------|------|------|------|---------------|
| R1, R2    | 0    | 1 k  | 10 k | $\Omega$      |
| C1, C2    | 0    | 0.1  | 1    | $\mu\text{F}$ |
| $R_{VCC}$ | 0    | 100  | 1 k  | $\Omega$      |
| $C_{VCC}$ | 0    | 0.1  | 1    | $\mu\text{F}$ |
| $C_{ICT}$ | 0    | 0.1  | 1    | $\mu\text{F}$ |

Caution1. The above constants may be changed without notice.

- It has not been confirmed whether the operation is normal or not in circuits other than the above example of connection. In addition, the example of connection shown above and the constant do not guarantee proper operation. Perform through evaluation using the actual application to set the constant.

(4) Connection Example 4 (for 1-cell)



Figure 11

Table 12 Constants for External Components 4

| Symbol           | Min. | Typ. | Max. | Unit          |
|------------------|------|------|------|---------------|
| R1               | 0    | 1 k  | 10 k | $\Omega$      |
| C1               | 0    | 0.1  | 1    | $\mu\text{F}$ |
| R <sub>VCC</sub> | 0    | 100  | 1 k  | $\Omega$      |
| C <sub>VCC</sub> | 0    | 0.1  | 1    | $\mu\text{F}$ |
| C <sub>ICT</sub> | 0    | 0.1  | 1    | $\mu\text{F}$ |

Caution1. The above constants may be changed without notice.

- It has not been confirmed whether the operation is normal or not in circuits other than the above example of connection. In addition, the example of connection shown above and the constant do not guarantee proper operation. Perform through evaluation using the actual application to set the constant.

■ Precautions

- This IC charges the delay capacitor through the delay capacitor pin (ICT pin) immediately when the voltage of one of batteries V1 to V4 reaches the overcharge voltage. Therefore, setting the resistor connected to the VCC pin to any value greater than the recommended level causes a reduction in the IC power supply voltage because of charge current of the delay capacitor. This may lead to a malfunction. Set up the resistor NOT to exceed the typical value. If you change the resistance, please consult us.
- DO NOT connect any of overcharged batteries. Even if only one overcharged battery is connected to this IC, the IC detects overcharge, then charge current flows to the delay capacitor through the parasitic diode between pins where the battery is not connected yet. This may lead to a malfunction. Please perform sufficient evaluation in the case of use. Depending on an application circuit, even when the fault charge battery is not contained, the connection turn of a battery may be restricted in order to prevent the output of CO detection pulse at the time of battery connection.



- In this IC, the output logic of the CO pin is inverted after several milliseconds of internal delay if this IC is under the overcharge condition even ICT pin is either "V<sub>SS</sub>-short circuit," "V<sub>DD</sub>-short circuit" or "Open" status.
- Any position from V1 to V4 can be used when applying this IC for a one to three-cell battery. However, be sure to short circuit between pins not in use (SENSE-VC1, VC1-VC2, VC2-VC3, or VC3-VSS).
- The application conditions for the input voltage, output voltage, and load current should not exceed the package power dissipation.
- Do not apply an electrostatic discharge to this IC that exceeds the performance ratings of the built-in electrostatic protection circuit.
- SII claims no responsibility for any and all disputes arising out of or in connection with any infringement of the products including this IC upon patents owned by a third party.

■ Characteristics (Typical Data)

1. Detection Voltage vs. Temperature

Overcharge Detection Voltage vs. Temperature



Overcharge Release Voltage vs. Temperature



2. Current Consumption vs. Temperature

Current Consumption during Normal Operation vs. Temperature



Current Consumption at Power Down vs. Temperature



3. Delay Time vs. Temperature

Overcharge Detection Delay Time vs. Temperature



**Caution** Please design all applications of the S-8244 Series with safety in mind.



No. PH008-A-P-SD-2.0

|                        |                         |
|------------------------|-------------------------|
| TITLE                  | SNT-8A-A-PKG Dimensions |
| No.                    | PH008-A-P-SD-2.0        |
| SCALE                  |                         |
| UNIT                   | mm                      |
| Seiko Instruments Inc. |                         |



Feed direction

No. PH008-A-C-SD-1.0

|                        |                       |
|------------------------|-----------------------|
| TITLE                  | SNT-8A-A-Carrier Tape |
| No.                    | PH008-A-C-SD-1.0      |
| SCALE                  |                       |
| UNIT                   | mm                    |
| Seiko Instruments Inc. |                       |



Enlarged drawing in the central part



No. PH008-A-R-SD-1.0

|                        |                  |      |       |
|------------------------|------------------|------|-------|
| TITLE                  | SNT-8A-A-Reel    |      |       |
| No.                    | PH008-A-R-SD-1.0 |      |       |
| SCALE                  |                  | QTY. | 5,000 |
| UNIT                   | mm               |      |       |
|                        |                  |      |       |
| Seiko Instruments Inc. |                  |      |       |



※1. ランドパターンの幅に注意してください (0.25 mm min. / 0.30 mm typ.).  
 ※2. パッケージ中央にランドパターンを広げないでください (1.96 mm ~ 2.06 mm)。

- 注意
1. パッケージのモールド樹脂下にシルク印刷やハンダ印刷などしないでください。
  2. パッケージ下の配線上のソルダーレジストなどの厚みをランドパターン表面から0.03 mm以下にしてください。
  3. マスク開口サイズと開口位置はランドパターンと合わせてください。
  4. 詳細は "SNTパッケージ活用の手引き" を参照してください。

※1. Pay attention to the land pattern width (0.25 mm min. / 0.30 mm typ.).  
 ※2. Do not widen the land pattern to the center of the package (1.96 mm to 2.06mm).

- Caution**
1. Do not do silkscreen printing and solder printing under the mold resin of the package.
  2. The thickness of the solder resist on the wire pattern under the package should be 0.03 mm or less from the land pattern surface.
  3. Match the mask aperture size and aperture position with the land pattern.
  4. Refer to "SNT Package User's Guide" for details.

※1. 请注意焊盘模式的宽度 (0.25 mm min. / 0.30 mm typ.).  
 ※2. 请勿向封装中间扩展焊盘模式 (1.96 mm ~ 2.06 mm)。

- 注意
1. 请勿在树脂型封装的下面印刷丝网、焊锡。
  2. 在封装下、布线上的阻焊膜厚度 (从焊盘模式表面起) 请控制在0.03 mm以下。
  3. 掩膜的开口尺寸和开口位置请与焊盘模式对齐。
  4. 详细内容请参阅 "SNT封装的应用指南"。

No. PH008-A-L-SD-4.0

|                        |                              |
|------------------------|------------------------------|
| TITLE                  | SNT-8A-A-Land Recommendation |
| No.                    | PH008-A-L-SD-4.0             |
| SCALE                  |                              |
| UNIT                   | mm                           |
| Seiko Instruments Inc. |                              |





No. FN008-A-P-SD-1.1

|                        |                        |
|------------------------|------------------------|
| TITLE                  | MSOP8-A-PKG Dimensions |
| No.                    | FN008-A-P-SD-1.1       |
| SCALE                  |                        |
| UNIT                   | mm                     |
|                        |                        |
| Seiko Instruments Inc. |                        |

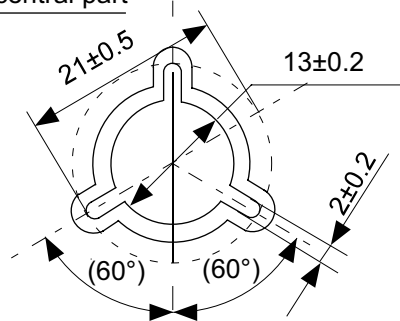


No. FN008-A-C-SD-1.1

|                        |                      |
|------------------------|----------------------|
| TITLE                  | MSOP8-A-Carrier Tape |
| No.                    | FN008-A-C-SD-1.1     |
| SCALE                  |                      |
| UNIT                   | mm                   |
|                        |                      |
| Seiko Instruments Inc. |                      |



Enlarged drawing in the central part



No. FN008-A-R-SD-1.1

|                        |                  |      |       |
|------------------------|------------------|------|-------|
| TITLE                  | MSOP8-A-Reel     |      |       |
| No.                    | FN008-A-R-SD-1.1 |      |       |
| SCALE                  |                  | QTY. | 3,000 |
| UNIT                   | mm               |      |       |
|                        |                  |      |       |
| Seiko Instruments Inc. |                  |      |       |



No. FM008-A-P-SD-1.1

|                        |                         |
|------------------------|-------------------------|
| TITLE                  | TMSOP8-A-PKG Dimensions |
| No.                    | FM008-A-P-SD-1.1        |
| SCALE                  |                         |
| UNIT                   | mm                      |
|                        |                         |
| Seiko Instruments Inc. |                         |

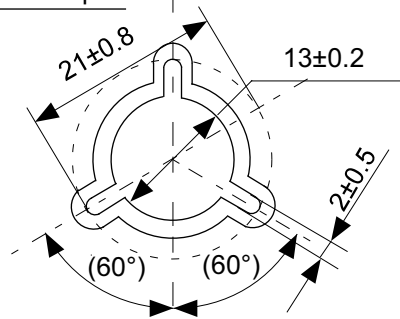


No. FM008-A-C-SD-1.0

|                        |                       |
|------------------------|-----------------------|
| TITLE                  | TMSOP8-A-Carrier Tape |
| No.                    | FM008-A-C-SD-1.0      |
| SCALE                  |                       |
| UNIT                   | mm                    |
|                        |                       |
| Seiko Instruments Inc. |                       |



Enlarged drawing in the central part



No. FM008-A-R-SD-1.0

|                        |                  |      |       |
|------------------------|------------------|------|-------|
| TITLE                  | TMSOP8-A-Reel    |      |       |
| No.                    | FM008-A-R-SD-1.0 |      |       |
| SCALE                  |                  | QTY. | 4,000 |
| UNIT                   | mm               |      |       |
|                        |                  |      |       |
| Seiko Instruments Inc. |                  |      |       |



Seiko Instruments Inc.  
[www.sii-ic.com](http://www.sii-ic.com)

- The information described herein is subject to change without notice.
- Seiko Instruments Inc. is not responsible for any problems caused by circuits or diagrams described herein whose related industrial properties, patents, or other rights belong to third parties. The application circuit examples explain typical applications of the products, and do not guarantee the success of any specific mass-production design.
- When the products described herein are regulated products subject to the Wassenaar Arrangement or other agreements, they may not be exported without authorization from the appropriate governmental authority.
- Use of the information described herein for other purposes and/or reproduction or copying without the express permission of Seiko Instruments Inc. is strictly prohibited.
- The products described herein cannot be used as part of any device or equipment affecting the human body, such as exercise equipment, medical equipment, security systems, gas equipment, vehicle equipment, in-vehicle equipment, aviation equipment, aerospace equipment, and nuclear-related equipment, without prior written permission of Seiko Instruments Inc.
- The products described herein are not designed to be radiation-proof.
- Although Seiko Instruments Inc. exerts the greatest possible effort to ensure high quality and reliability, the failure or malfunction of semiconductor products may occur. The user of these products should therefore give thorough consideration to safety design, including redundancy, fire-prevention measures, and malfunction prevention, to prevent any accidents, fires, or community damage that may ensue.

Компания «Океан Электроники» предлагает заключение долгосрочных отношений при поставках импортных электронных компонентов на взаимовыгодных условиях!

Наши преимущества:

- Поставка оригинальных импортных электронных компонентов напрямую с производств Америки, Европы и Азии, а так же с крупнейших складов мира;
- Широкая линейка поставок активных и пассивных импортных электронных компонентов (более 30 млн. наименований);
- Поставка сложных, дефицитных, либо снятых с производства позиций;
- Оперативные сроки поставки под заказ (от 5 рабочих дней);
- Экспресс доставка в любую точку России;
- Помощь Конструкторского Отдела и консультации квалифицированных инженеров;
- Техническая поддержка проекта, помощь в подборе аналогов, поставка прототипов;
- Поставка электронных компонентов под контролем ВП;
- Система менеджмента качества сертифицирована по Международному стандарту ISO 9001;
- При необходимости вся продукция военного и аэрокосмического назначения проходит испытания и сертификацию в лаборатории (по согласованию с заказчиком);
- Поставка специализированных компонентов военного и аэрокосмического уровня качества (Xilinx, Altera, Analog Devices, Intersil, Interpoint, Microsemi, Actel, Aeroflex, Peregrine, VPT, Syfer, Eurofarad, Texas Instruments, MS Kennedy, Miteq, Cobham, E2V, MA-COM, Hittite, Mini-Circuits, General Dynamics и др.);

Компания «Океан Электроники» является официальным дистрибьютором и эксклюзивным представителем в России одного из крупнейших производителей разъемов военного и аэрокосмического назначения «**JONHON**», а так же официальным дистрибьютором и эксклюзивным представителем в России производителя высокотехнологичных и надежных решений для передачи СВЧ сигналов «**FORSTAR**».



## JONHON

«**JONHON**» (основан в 1970 г.)

Разъемы специального, военного и аэрокосмического назначения:

(Применяются в военной, авиационной, аэрокосмической, морской, железнодорожной, горно- и нефтедобывающей отраслях промышленности)

«**FORSTAR**» (основан в 1998 г.)

ВЧ соединители, коаксиальные кабели,  
кабельные сборки и микроволновые компоненты:

(Применяются в телекоммуникациях гражданского и специального назначения, в средствах связи, РЛС, а так же военной, авиационной и аэрокосмической отраслях промышленности).



Телефон: 8 (812) 309-75-97 (многоканальный)

Факс: 8 (812) 320-03-32

Электронная почта: [ocean@oceanchips.ru](mailto:ocean@oceanchips.ru)

Web: <http://oceanchips.ru/>

Адрес: 198099, г. Санкт-Петербург, ул. Калинина, д. 2, корп. 4, лит. А