



MICROCHIP

**MCP16331
High-Voltage Input
Buck Converter
Evaluation Board
User's Guide**

Note the following details of the code protection feature on Microchip devices:

- Microchip products meet the specification contained in their particular Microchip Data Sheet.
- Microchip believes that its family of products is one of the most secure families of its kind on the market today, when used in the intended manner and under normal conditions.
- There are dishonest and possibly illegal methods used to breach the code protection feature. All of these methods, to our knowledge, require using the Microchip products in a manner outside the operating specifications contained in Microchip's Data Sheets. Most likely, the person doing so is engaged in theft of intellectual property.
- Microchip is willing to work with the customer who is concerned about the integrity of their code.
- Neither Microchip nor any other semiconductor manufacturer can guarantee the security of their code. Code protection does not mean that we are guaranteeing the product as "unbreakable."

Code protection is constantly evolving. We at Microchip are committed to continuously improving the code protection features of our products. Attempts to break Microchip's code protection feature may be a violation of the Digital Millennium Copyright Act. If such acts allow unauthorized access to your software or other copyrighted work, you may have a right to sue for relief under that Act.

Information contained in this publication regarding device applications and the like is provided only for your convenience and may be superseded by updates. It is your responsibility to ensure that your application meets with your specifications. MICROCHIP MAKES NO REPRESENTATIONS OR WARRANTIES OF ANY KIND WHETHER EXPRESS OR IMPLIED, WRITTEN OR ORAL, STATUTORY OR OTHERWISE, RELATED TO THE INFORMATION, INCLUDING BUT NOT LIMITED TO ITS CONDITION, QUALITY, PERFORMANCE, MERCHANTABILITY OR FITNESS FOR PURPOSE. Microchip disclaims all liability arising from this information and its use. Use of Microchip devices in life support and/or safety applications is entirely at the buyer's risk, and the buyer agrees to defend, indemnify and hold harmless Microchip from any and all damages, claims, suits, or expenses resulting from such use. No licenses are conveyed, implicitly or otherwise, under any Microchip intellectual property rights.

Trademarks

The Microchip name and logo, the Microchip logo, dsPIC, FlashFlex, KEELOQ, KEELOQ logo, MPLAB, PIC, PICmicro, PICSTART, PIC³² logo, rPIC, SST, SST Logo, SuperFlash and UNI/O are registered trademarks of Microchip Technology Incorporated in the U.S.A. and other countries.

FilterLab, Hampshire, HI-TECH C, Linear Active Thermistor, MTP, SEEVAL and The Embedded Control Solutions Company are registered trademarks of Microchip Technology Incorporated in the U.S.A.

Silicon Storage Technology is a registered trademark of Microchip Technology Inc. in other countries.


Analog-for-the-Digital Age, Application Maestro, BodyCom, chipKIT, chipKIT logo, CodeGuard, dsPICDEM, dsPICDEM.net, dsPICworks, dsSPEAK, ECAN, ECONOMONITOR, FanSense, HI-TIDE, In-Circuit Serial Programming, ICSP, Mindi, MiWi, MPASM, MPF, MPLAB Certified logo, MPLIB, MPLINK, mTouch, Omniscent Code Generation, PICC, PICC-18, PICDEM, PICDEM.net, PICkit, PICtail, REAL ICE, rLAB, Select Mode, SQI, Serial Quad I/O, Total Endurance, TSHARC, UniWinDriver, WiperLock, ZENA and Z-Scale are trademarks of Microchip Technology Incorporated in the U.S.A. and other countries.

SQTP is a service mark of Microchip Technology Incorporated in the U.S.A.

GestIC and ULPP are registered trademarks of Microchip Technology Germany II GmbH & Co. KG, a subsidiary of Microchip Technology Inc., in other countries.

All other trademarks mentioned herein are property of their respective companies.

© 2014, Microchip Technology Incorporated, Printed in the U.S.A., All Rights Reserved.

 Printed on recycled paper.

ISBN:

**QUALITY MANAGEMENT SYSTEM
CERTIFIED BY DNV
= ISO/TS 16949 =**

Microchip received ISO/TS-16949:2009 certification for its worldwide headquarters, design and wafer fabrication facilities in Chandler and Tempe, Arizona; Gresham, Oregon and design centers in California and India. The Company's quality system processes and procedures are for its PIC[®] MCUs and dsPIC[®] DSCs, KEELOQ[®] code hopping devices, Serial EEPROMs, microperipherals, nonvolatile memory and analog products. In addition, Microchip's quality system for the design and manufacture of development systems is ISO 9001:2000 certified.

Object of Declaration: MCP16331 High-Voltage Input Buck Converter Evaluation Board

EU Declaration of Conformity

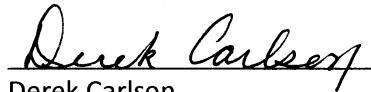
This declaration of conformity is issued by the manufacturer.

The development/evaluation tool is designed to be used for research and development in a laboratory environment. This development/evaluation tool is not a Finished Appliance, nor is it intended for incorporation into Finished Appliances that are made commercially available as single functional units to end users under EU EMC Directive 2004/108/EC and as supported by the European Commission's Guide for the EMC Directive 2004/108/EC (8th February 2010).

This development/evaluation tool complies with EU RoHS2 Directive 2011/65/EU.

For information regarding the exclusive, limited warranties applicable to Microchip products, please see Microchip's standard terms and conditions of sale, which are printed on our sales documentation and available at www.microchip.com.

Signed for and on behalf of Microchip Technology Inc. at Chandler, Arizona, USA



Derek Carlson

VP Development Tools

16-July-2013

Date

NOTES:



MCP16331 HIGH-VOLTAGE INPUT BUCK CONVERTER EVALUATION BOARD USER'S GUIDE

Table of Contents

Preface	7
Introduction	7
Document Layout	7
Conventions Used in this Guide	8
Recommended Reading	9
The Microchip Web Site	9
Customer Support	9
Document Revision History	9
Chapter 1. Product Overview	11
1.1 Introduction	11
1.2 MCP16331 Short Overview	11
1.3 What is the MCP16331 High-Voltage Input Buck Converter Evaluation Board?	12
1.4 What the MCP16331 High-Voltage Input Buck Converter Evaluation Board Contains	12
Chapter 2. Installation and Operation	13
2.1 Introduction	13
2.2 Features	13
2.3 Getting Started	14
Appendix A. Schematic and Layouts	17
A.1 Introduction	17
A.2 Board – Schematic	18
A.3 Board – Top Silk	19
A.4 Board – Top Silk And Copper	20
A.5 Board – Bottom Copper	21
A.6 Board – Bottom Copper and Silk	22
Appendix B. Bill of Materials (BOM)	23
Worldwide Sales and Service	24

NOTES:



MCP16331 HIGH-VOLTAGE INPUT BUCK CONVERTER EVALUATION BOARD USER'S GUIDE

Preface

NOTICE TO CUSTOMERS

All documentation becomes dated, and this manual is no exception. Microchip tools and documentation are constantly evolving to meet customer needs, so some actual dialogs and/or tool descriptions may differ from those in this document. Please refer to our web site (www.microchip.com) to obtain the latest documentation available.

Documents are identified with a “DS” number. This number is located on the bottom of each page, in front of the page number. The numbering convention for the DS number is “DSXXXXXXXXA”, where “XXXXXXXX” is the document number and “A” is the revision level of the document.

For the most up-to-date information on development tools, see the MPLAB® IDE online help. Select the Help menu, and then Topics to open a list of available online help files.

INTRODUCTION

This chapter contains general information that will be useful to know before using the MCP16331 High-Voltage Input Buck Converter Evaluation Board. Items discussed in this chapter include:

- Document Layout
- Conventions Used in this Guide
- Recommended Reading
- The Microchip Web Site
- Customer Support
- Document Revision History

DOCUMENT LAYOUT

This document describes how to use the MCP16331 High-Voltage Input Buck Converter Evaluation Board as a development tool. The manual layout is as follows:

- **Chapter 1. “Product Overview”** – Important information about the MCP16331 High-Voltage Input Buck Converter Evaluation Board.
- **Chapter 2. “Installation and Operation”** – Includes instructions on how to get started with this user’s guide and a description of the user’s guide.
- **Appendix A. “Schematic and Layouts”** – Shows the schematic and layout diagrams for the MCP16331 High-Voltage Input Buck Converter Evaluation Board.
- **Appendix B. “Bill of Materials (BOM)”** – Lists the parts used to build the MCP16331 High-Voltage Input Buck Converter Evaluation Board.

CONVENTIONS USED IN THIS GUIDE

This manual uses the following documentation conventions:

DOCUMENTATION CONVENTIONS

Description	Represents	Examples
Arial font:		
Italic characters	Referenced books	<i>MPLAB[®] IDE User's Guide</i>
	Emphasized text	...is the <i>only</i> compiler...
Initial caps	A window	the Output window
	A dialog	the Settings dialog
	A menu selection	select Enable Programmer
Quotes	A field name in a window or dialog	"Save project before build"
Underlined, italic text with right angle bracket	A menu path	<u><i>File>Save</i></u>
Bold characters	A dialog button	Click OK
	A tab	Click the Power tab
N'Rnnnn	A number in verilog format, where N is the total number of digits, R is the radix and n is a digit.	4'b0010, 2'hF1
Text in angle brackets < >	A key on the keyboard	Press <Enter>, <F1>
Courier New font:		
Plain Courier New	Sample source code	#define START
	Filenames	autoexec.bat
	File paths	c:\mcc18\h
	Keywords	_asm, _endasm, static
	Command-line options	-Opa+, -Opa-
	Bit values	0, 1
	Constants	0xFF, 'A'
Italic Courier New	A variable argument	<i>file.o</i> , where <i>file</i> can be any valid filename
Square brackets []	Optional arguments	mcc18 [options] <i>file</i> [options]
Curly brackets and pipe character: { }	Choice of mutually exclusive arguments; an OR selection	errorlevel {0 1}
Ellipses...	Replaces repeated text	var_name [, var_name...]
	Represents code supplied by user	void main (void) { ... }

RECOMMENDED READING

This user's guide describes how to use MCP16331 High-Voltage Input Buck Converter Evaluation Board. Another useful document is listed below. The following Microchip document is available and recommended as a supplemental reference resource:

- **MCP16331 Data Sheet - “High-Voltage Input Integrated Switch Step-Down Regulator” (DS2005308)**

THE MICROCHIP WEB SITE

Microchip provides online support via our web site at www.microchip.com. This web site is used as a means to make files and information easily available to customers. Accessible by using your favorite Internet browser, the web site contains the following information:

- **Product Support** – Data sheets and errata, application notes and sample programs, design resources, user's guides and hardware support documents, latest software releases and archived software
- **General Technical Support** – Frequently Asked Questions (FAQs), technical support requests, online discussion groups, Microchip consultant program member listing
- **Business of Microchip** – Product selector and ordering guides, latest Microchip press releases, listing of seminars and events, listings of Microchip sales offices, distributors and factory representatives

CUSTOMER SUPPORT

Users of Microchip products can receive assistance through several channels:

- Distributor or Representative
- Local Sales Office
- Field Application Engineer (FAE)
- Technical Support

Customers should contact their distributor, representative or field application engineer (FAE) for support. Local sales offices are also available to help customers. A listing of sales offices and locations is included in the back of this document.

Technical support is available through the web site at:
<http://www.microchip.com/support>.

DOCUMENT REVISION HISTORY

Revision A (June 2014)

- Initial Release of this Document.

NOTES:



MCP16331 HIGH-VOLTAGE INPUT BUCK CONVERTER EVALUATION BOARD USER'S GUIDE

Chapter 1. Product Overview

1.1 INTRODUCTION

This chapter provides an overview of the MCP16331 High-Voltage Input Buck Converter Evaluation Board and covers the following topics:

- MCP16331 Short Overview
- What is the MCP16331 High-Voltage Input Buck Converter Evaluation Board?
- What the MCP16331 High-Voltage Input Buck Converter Evaluation Board Contains

1.2 MCP16331 SHORT OVERVIEW

The MCP16331 is a compact, high-voltage, high-efficiency, fixed-frequency, step-down DC-DC converter. The integrated features include a high-side switch, fixed frequency, internal compensation, and overtemperature protection. To deliver a fast response to sudden line and load changes, the MCP16331 uses a high performance peak-current mode control system. This product provides an easy-to-use power supply solution, with a minimum number of external components.

The key features of the MCP16331 include:

- Up to 94% Typical Efficiency
- Input Voltage Range: 4.2V to 50V
- Adjustable Output Voltage Range: 2.0V to 24V
- 2% Output Voltage Accuracy
- Integrated N-Channel Buck Switch: 600 mΩ
- 500 mA Output Current
- 500 kHz Fixed Frequency
- Low Device Shutdown Current
- Peak Current Mode Control
- Internal Compensation
- Internal Soft-Start
- Internal Pull-Up on the EN pin
- Cycle-by-Cycle Peak Current Limit
- Undervoltage Lockout (UVLO): 4.1V to Start, 3.5V to Stop
- Overtemperature Protection: 160°C Thermal Shutdown, with 30°C Hysteresis
- Available Packages: 6-Lead SOT-23, 8-Lead 2x3 TDFN

The goal of the MCP16331 High-Voltage Input Buck Converter Evaluation Board is to demonstrate the features of the MCP16331.

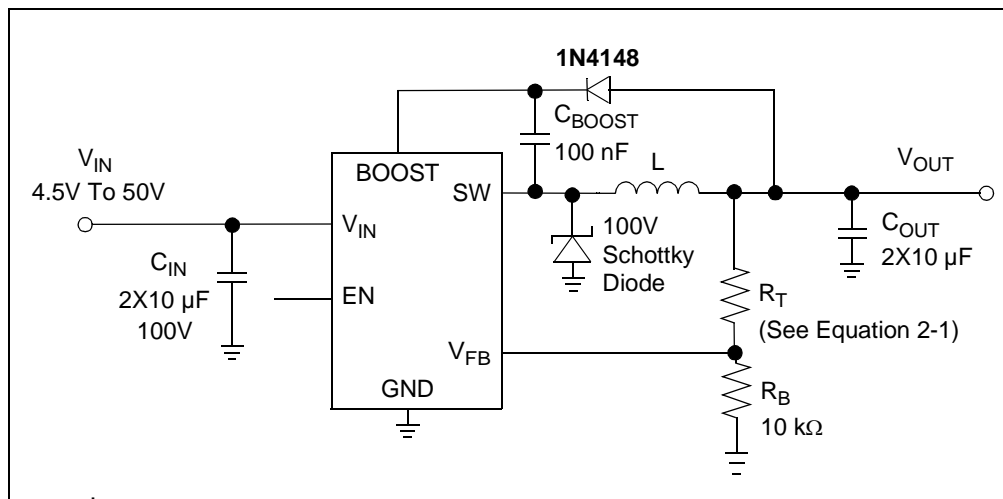


FIGURE 1-1: Typical MCP16331 Buck Converter.

1.3 WHAT IS THE MCP16331 HIGH-VOLTAGE INPUT BUCK CONVERTER EVALUATION BOARD?

The MCP16331 High-Voltage Input Buck Converter Evaluation Board is used to evaluate and demonstrate Microchip Technology's MCP16331 product. This board demonstrates the MCP16331 in a buck-converter application with two selectable output voltages. It can be used to evaluate the SOT-23 package. Test points are provided for the input and output, allowing the board to be connected directly to a system. Also, additional test points are provided to access the EN pin, in order to modify the state of the converter, and also access the SW pin, in order to see the switching waveform. The MCP16331 High-Voltage Input Buck Converter Evaluation Board was developed to help engineers reduce product design cycle time.

Two common output voltages can be selected, 3.3V and 5.0V.

1.4 WHAT THE MCP16331 HIGH-VOLTAGE INPUT BUCK CONVERTER EVALUATION BOARD CONTAINS

This MCP16331 High-Voltage Input Buck Converter Evaluation Board kit includes:

- MCP16331 High-Voltage Input Buck Converter Evaluation Board (ADM00519)
- Important Information Sheet

Chapter 2. Installation and Operation

2.1 INTRODUCTION

The MCP16331 is a compact, high-efficiency, fixed-frequency, step-down DC-DC converter and has been developed to provide high-input voltage applications with a precise low voltage regulated rail.

The MCP16331 is capable of regulating the output voltage over a wide 2V to 24V range from an input rail of up to 50V and typically can deliver over 500 mA. The regulated output voltage, V_{OUT} , should be lower than the input voltage, V_{IN} , in order to ensure proper operation.

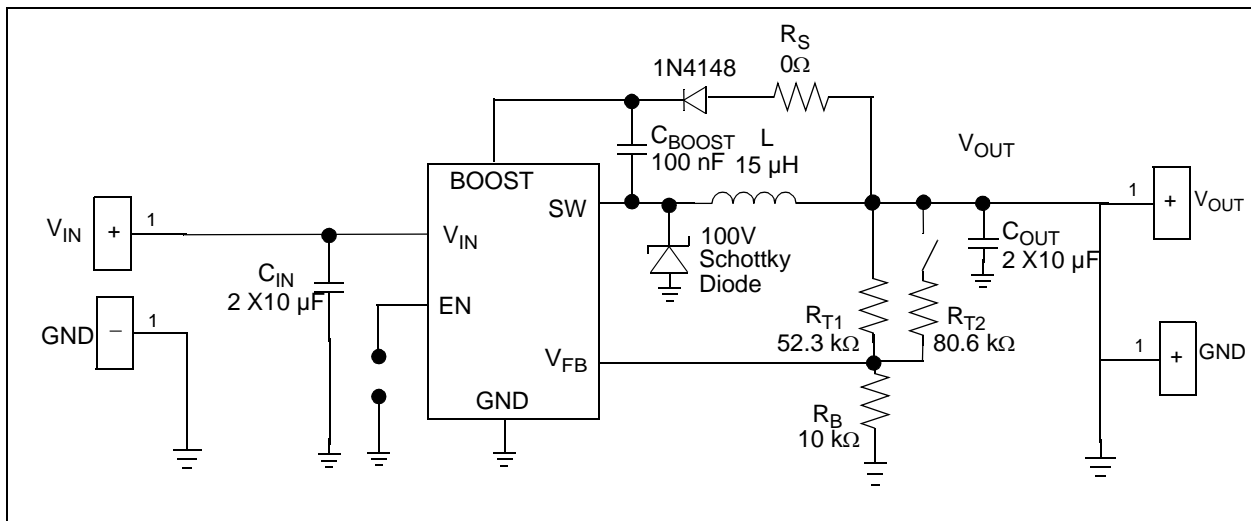


FIGURE 2-1: MCP16331 Evaluation Board Application.

2.2 FEATURES

The MCP16331 Buck Converter Evaluation Board has the following features:

- Input voltage range, V_{IN} : 6V to 50V
- Converter can be turned on/off by using a jumper on the EN/GND connector
- Fixed output voltage: 3.3V and 5.0V selectable through a switch
- Output current: typical 500 mA
- PWM Switching Frequency = 500 kHz
- Internal compensation
- Internal soft-start
- Overtemperature protection (if the die temperature exceeds 150°C, 25°C hysteresis)

2.3 GETTING STARTED

The MCP16331 Buck Converter Evaluation Board is fully assembled and tested to evaluate and demonstrate the MCP16331 product. Before testing the MCP16331 Buck Converter Evaluation Board, it is recommended that the MCP16331 data sheet is read and all the limits for input voltage, output voltage and maximum current are taken into consideration.

2.3.1 Power Input and Output Connection

2.3.1.1 BOARD POWER UP PROCEDURE:

1. Connect system load to V_{OUT} and GND terminals; maximum load varies with input and output voltage; see the MCP16331 data sheet for more information on the maximum load.
2. Connect the Power Supply to the V_{IN} and GND terminals. Because the EN is internally pulled up, the converter will start once power is applied on the input. To turn off the device, a jumper can be used on the EN/GND connector.
3. The measured output voltage should be 3.3V/5V. Adjusting the input voltage and load should not cause the output to vary more than a few mV over the operating range of the converter.
4. The output voltage can be changed from 3.3V to 5V by using the V_{OUT} SEL switch on the board.

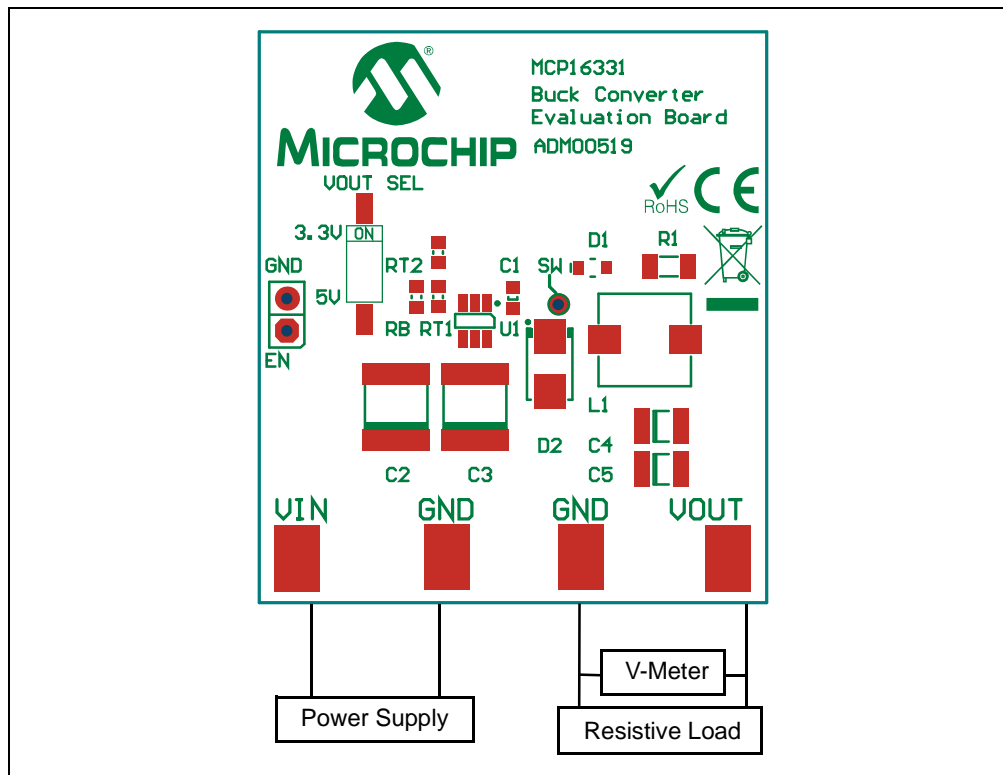


FIGURE 2-2: MCP16331 Evaluation Board Setup.

2.3.1.2 ADJUSTABLE V_{OUT} SETTING

The resistor divider R_T and R_B is used to set the converter output voltage. For a specific output voltage, the top resistor can be calculated as in [Equation 2-1](#). A good trade-off between noise and quiescent current is to use a 10 k Ω resistor for the bottom resistor.

EQUATION 2-1:

$$R_T = R_B \times \left[\left(\frac{V_{OUT}}{V_{FB}} \right) - 1 \right]$$

Where: $V_{FB} = 0.8V$

When changing the value of the feedback resistor, the V_{OUT} SEL switch will not have the same functionality, as it will add an additional resistor in parallel with the top resistor.

Additionally, when modifying the output voltage, the inductor value must be modified in order to get the best results in terms of efficiency and load and line step responses. For typical output voltage, see [Table 2-1](#) for the recommended inductor values.

TABLE 2-1: RECOMMENDED INDUCTOR VALUES

V_{OUT}	Inductor Value
2.0V	10 μ H
3.3V	15 μ H
5.0V	22 μ H
12V	56 μ H
15V	68 μ H
24V	100 μ H

Because the MCP16331 integrates the high-side N-Channel MOSFET, a high-side driver is needed to supply the drive for the gate of the MOSFET above the input voltage in order to turn it on. For the MCP16331 Buck Converter Evaluation Board, the output voltage is used to charge the boost capacitor. For output voltages above 5V, the voltage used to charge the boost capacitor needs to be clamped to less than 5V to avoid damaging the part. An easy way to achieve this is to remove the resistor (R1) in series with the bootstrap diode and add a Zener diode of appropriate voltage. For more information, refer to the MCP16331 Data Sheet.

NOTES:



MCP16331 HIGH-VOLTAGE INPUT BUCK CONVERTER EVALUATION BOARD USER'S GUIDE

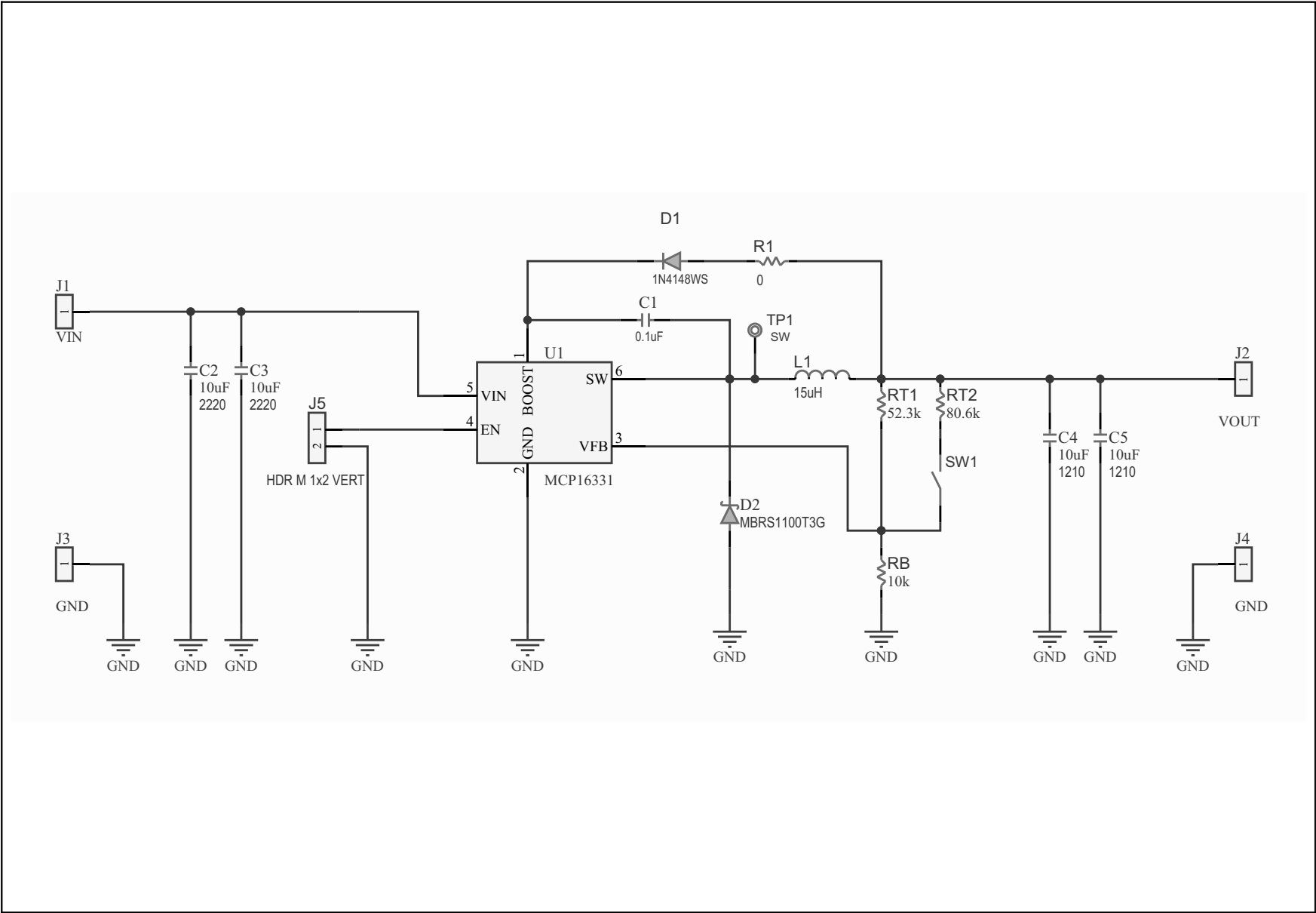
Appendix A. Schematic and Layouts

A.1 INTRODUCTION

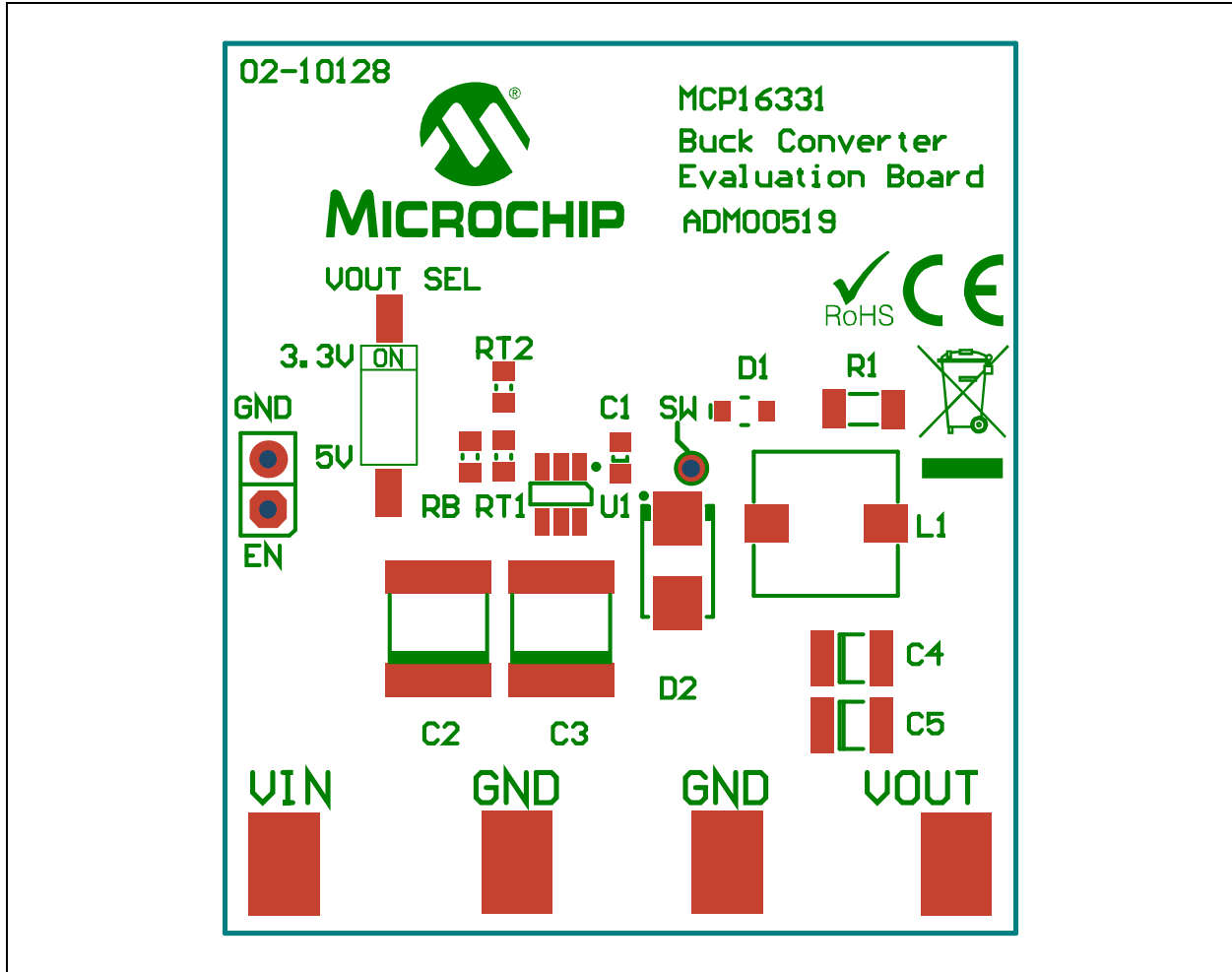
This appendix contains the following schematics and layouts for the MCP16331 Buck Converter Evaluation Board:

- Board – Schematic
- Board – Top Silk
- Board – Top Silk And Copper
- Board – Bottom Copper

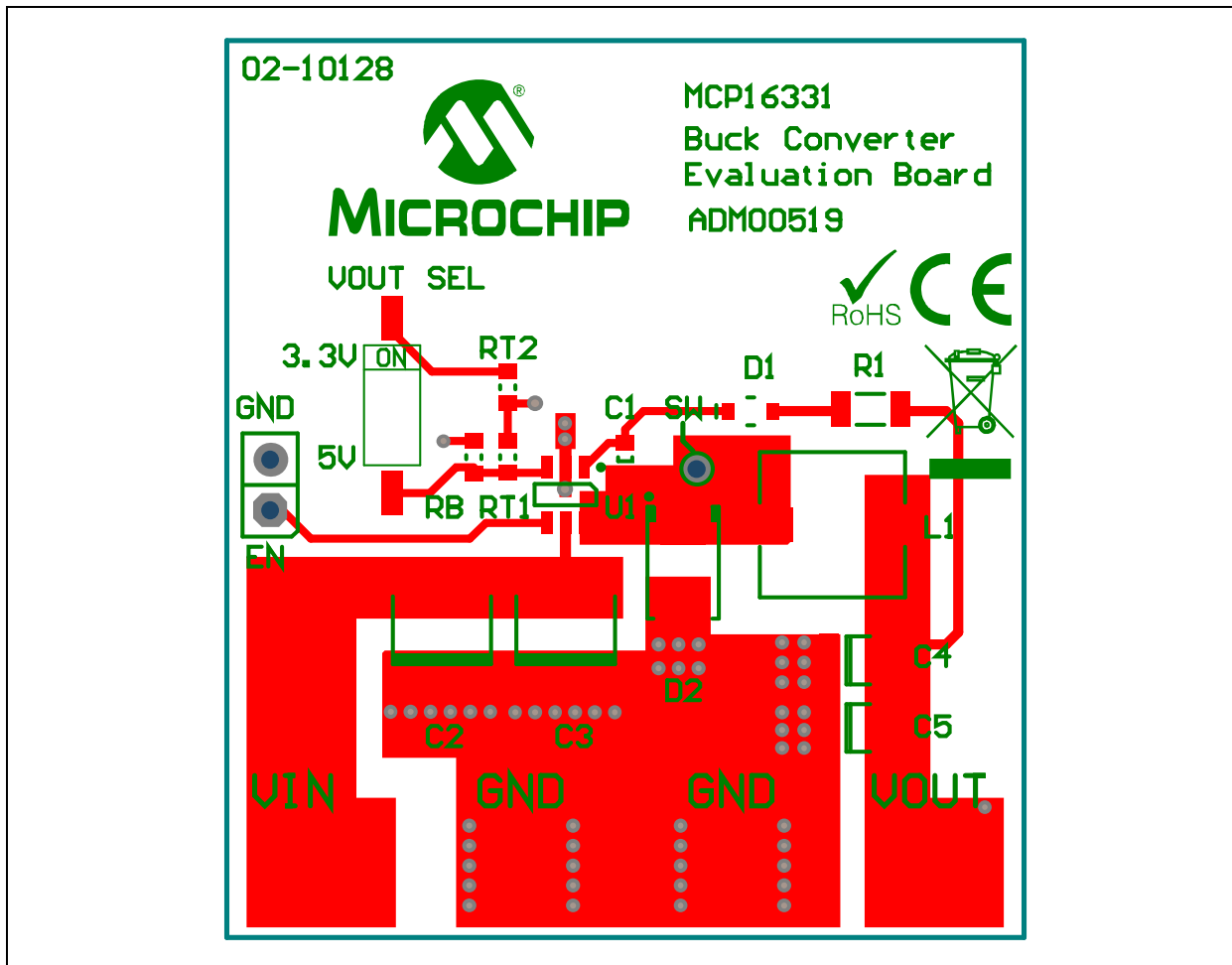
A.2 BOARD – SCHEMATIC



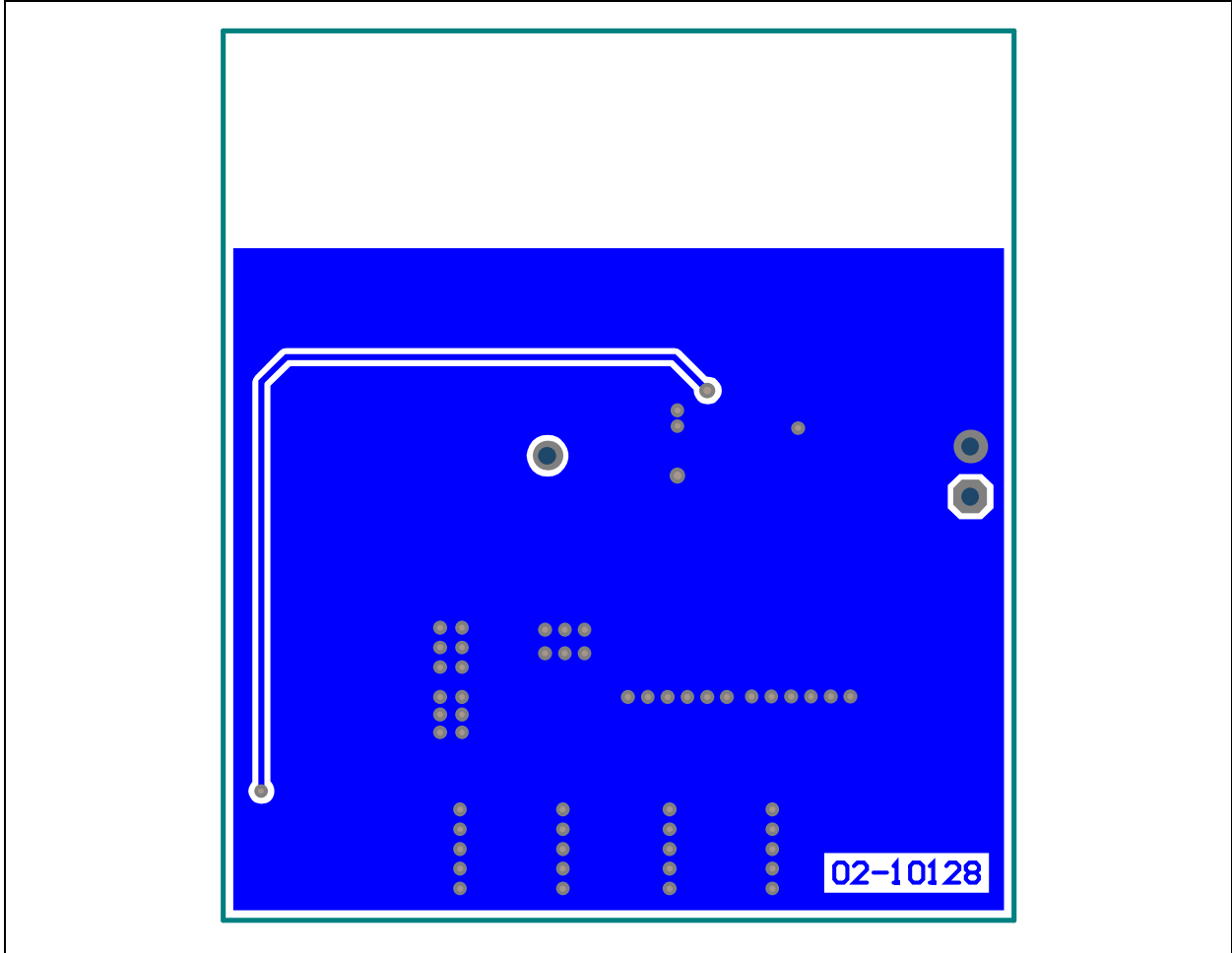
A.3 BOARD – TOP SILK



A.4 BOARD – TOP SILK AND COPPER



A.5 BOARD – BOTTOM COPPER



NOTES:



MCP16331 HIGH-VOLTAGE INPUT BUCK CONVERTER EVALUATION BOARD USER'S GUIDE

Appendix B. Bill of Materials (BOM)

TABLE B-1: BILL OF MATERIALS (BOM)

Qty.	Reference	Description	Manufacturer	Part Number
1	C1	Cap. ceramic 0.1 μ F 50V X7R 10% 0603	TDK Corporation	C1608X7R1H104K
2	C2,C3	Cap. ceramic 10 μ F 100V X7S 2220	TDK Corporation	C5750X7S2A106M230KB
2	C4, C5	Cap. ceramic 10 μ F 50V X7S 1210	TDK Corporation	C3225X7S1H106M
1	D1	Diode switch 75V 150 mA SOD323	Micro Commercial Components Corp.	1N4148WX-TP
1	D2	Diode Schottky 100V 1A SMB	ON Semiconductor®	MBRS1100T3G
4	J1, J2, J3, J4	PC test point tin SMD	Harwin Plc.	S1751-46R
1	L1	Choke, SMD, 15 μ H	Würth Elektronik Group	7447779115
1	R1	Res. 0.0 Ω 1/4W jump 1206 SMD	Panasonic® ECG	ERJ-8GEY0R00V
1	RB	Res. 10 k Ω 1/10W 1% 0603 SMD	Panasonic ECG	ERJ-3EKF1002V
1	REN	Res. 1 M Ω 1/10W 1% 0603 SMD	Panasonic ECG	ERJ-3EKF1004V
1	RT1	Res. 52.3 k Ω 1/10W 1% 0603 SMD	Panasonic ECG	ERA-3AEB5232V
1	RT2	Res. 80.6 k Ω 1/10W 1% 0603 SMD	Panasonic ECG	ERJ-3EKF80R6V
2	SW1, SW2	2.54 mm SW_SMD_DIP	Würth® Group	418121270801
1	U1	High-Voltage Input Buck Converter	Microchip Technology Inc.	MCP16331T-E/CH

Note 1: The components listed in this Bill of Materials are representative of the PCB assembly. The released BOM used in manufacturing uses all RoHS-compliant components.



MICROCHIP

Worldwide Sales and Service

AMERICAS

Corporate Office
2355 West Chandler Blvd.
Chandler, AZ 85224-6199
Tel: 480-792-7200
Fax: 480-792-7277
Technical Support:
<http://www.microchip.com/support>
Web Address:
www.microchip.com

Atlanta
Duluth, GA
Tel: 678-957-9614
Fax: 678-957-1455

Austin, TX
Tel: 512-257-3370

Boston
Westborough, MA
Tel: 774-760-0087
Fax: 774-760-0088

Chicago
Itasca, IL
Tel: 630-285-0071
Fax: 630-285-0075

Cleveland
Independence, OH
Tel: 216-447-0464
Fax: 216-447-0643

Dallas
Addison, TX
Tel: 972-818-7423
Fax: 972-818-2924

Detroit
Novi, MI
Tel: 248-848-4000

Houston, TX
Tel: 281-894-5983

Indianapolis
Noblesville, IN
Tel: 317-773-8323
Fax: 317-773-5453

Los Angeles
Mission Viejo, CA
Tel: 949-462-9523
Fax: 949-462-9608

New York, NY
Tel: 631-435-6000

San Jose, CA
Tel: 408-735-9110

Canada - Toronto
Tel: 905-673-0699
Fax: 905-673-6509

ASIA/PACIFIC

Asia Pacific Office
Suites 3707-14, 37th Floor
Tower 6, The Gateway
Harbour City, Kowloon
Hong Kong
Tel: 852-2943-5100
Fax: 852-2401-3431

Australia - Sydney
Tel: 61-2-9868-6733
Fax: 61-2-9868-6755

China - Beijing
Tel: 86-10-8569-7000
Fax: 86-10-8528-2104

China - Chengdu
Tel: 86-28-8665-5511
Fax: 86-28-8665-7889

China - Chongqing
Tel: 86-23-8980-9588
Fax: 86-23-8980-9500

China - Hangzhou
Tel: 86-571-8792-8115
Fax: 86-571-8792-8116

China - Hong Kong SAR
Tel: 852-2943-5100
Fax: 852-2401-3431

China - Nanjing
Tel: 86-25-8473-2460
Fax: 86-25-8473-2470

China - Qingdao
Tel: 86-532-8502-7355
Fax: 86-532-8502-7205

China - Shanghai
Tel: 86-21-5407-5533
Fax: 86-21-5407-5066

China - Shenyang
Tel: 86-24-2334-2829
Fax: 86-24-2334-2393

China - Shenzhen
Tel: 86-755-8864-2200
Fax: 86-755-8203-1760

China - Wuhan
Tel: 86-27-5980-5300
Fax: 86-27-5980-5118

China - Xian
Tel: 86-29-8833-7252
Fax: 86-29-8833-7256

China - Xiamen
Tel: 86-592-2388138
Fax: 86-592-2388130

China - Zhuhai
Tel: 86-756-3210040
Fax: 86-756-3210049

ASIA/PACIFIC

India - Bangalore
Tel: 91-80-3090-4444
Fax: 91-80-3090-4123

India - New Delhi
Tel: 91-11-4160-8631
Fax: 91-11-4160-8632

India - Pune
Tel: 91-20-3019-1500

Japan - Osaka
Tel: 81-6-6152-7160
Fax: 81-6-6152-9310

Japan - Tokyo
Tel: 81-3-6880-3770
Fax: 81-3-6880-3771

Korea - Daegu
Tel: 82-53-744-4301
Fax: 82-53-744-4302

Korea - Seoul
Tel: 82-2-554-7200
Fax: 82-2-558-5932 or
82-2-558-5934

Malaysia - Kuala Lumpur
Tel: 60-3-6201-9857
Fax: 60-3-6201-9859

Malaysia - Penang
Tel: 60-4-227-8870
Fax: 60-4-227-4068

Philippines - Manila
Tel: 63-2-634-9065
Fax: 63-2-634-9069

Singapore
Tel: 65-6334-8870
Fax: 65-6334-8850

Taiwan - Hsin Chu
Tel: 886-3-5778-366
Fax: 886-3-5770-955

Taiwan - Kaohsiung
Tel: 886-7-213-7830

Taiwan - Taipei
Tel: 886-2-2508-8600
Fax: 886-2-2508-0102

Thailand - Bangkok
Tel: 66-2-694-1351
Fax: 66-2-694-1350

EUROPE

Austria - Wels
Tel: 43-7242-2244-39
Fax: 43-7242-2244-393

Denmark - Copenhagen
Tel: 45-4450-2828
Fax: 45-4485-2829

France - Paris
Tel: 33-1-69-53-63-20
Fax: 33-1-69-30-90-79

Germany - Dusseldorf
Tel: 49-2129-3766400

Germany - Munich
Tel: 49-89-627-144-0
Fax: 49-89-627-144-44

Germany - Pforzheim
Tel: 49-7231-424750

Italy - Milan
Tel: 39-0331-742611
Fax: 39-0331-466781

Italy - Venice
Tel: 39-049-7625286

Netherlands - Drunen
Tel: 31-416-690399
Fax: 31-416-690340

Poland - Warsaw
Tel: 48-22-3325737

Spain - Madrid
Tel: 34-91-708-08-90
Fax: 34-91-708-08-91

Sweden - Stockholm
Tel: 46-8-5090-4654

UK - Wokingham
Tel: 44-118-921-5800
Fax: 44-118-921-5820

03/25/14

Mouser Electronics

Authorized Distributor

Click to View Pricing, Inventory, Delivery & Lifecycle Information:

[Microchip:](#)

[ADM00519](#)

Компания «Океан Электроники» предлагает заключение долгосрочных отношений при поставках импортных электронных компонентов на взаимовыгодных условиях!

Наши преимущества:

- Поставка оригинальных импортных электронных компонентов напрямую с производств Америки, Европы и Азии, а так же с крупнейших складов мира;
- Широкая линейка поставок активных и пассивных импортных электронных компонентов (более 30 млн. наименований);
- Поставка сложных, дефицитных, либо снятых с производства позиций;
- Оперативные сроки поставки под заказ (от 5 рабочих дней);
- Экспресс доставка в любую точку России;
- Помощь Конструкторского Отдела и консультации квалифицированных инженеров;
- Техническая поддержка проекта, помощь в подборе аналогов, поставка прототипов;
- Поставка электронных компонентов под контролем ВП;
- Система менеджмента качества сертифицирована по Международному стандарту ISO 9001;
- При необходимости вся продукция военного и аэрокосмического назначения проходит испытания и сертификацию в лаборатории (по согласованию с заказчиком);
- Поставка специализированных компонентов военного и аэрокосмического уровня качества (Xilinx, Altera, Analog Devices, Intersil, Interpoint, Microsemi, Actel, Aeroflex, Peregrine, VPT, Syfer, Eurofarad, Texas Instruments, MS Kennedy, Miteq, Cobham, E2V, MA-COM, Hittite, Mini-Circuits, General Dynamics и др.);

Компания «Океан Электроники» является официальным дистрибьютором и эксклюзивным представителем в России одного из крупнейших производителей разъемов военного и аэрокосмического назначения «JONHON», а так же официальным дистрибьютором и эксклюзивным представителем в России производителя высокотехнологичных и надежных решений для передачи СВЧ сигналов «FORSTAR».



JONHON

«JONHON» (основан в 1970 г.)

Разъемы специального, военного и аэрокосмического назначения:

(Применяются в военной, авиационной, аэрокосмической, морской, железнодорожной, горно- и нефтедобывающей отраслях промышленности)

«FORSTAR» (основан в 1998 г.)

ВЧ соединители, коаксиальные кабели, кабельные сборки и микроволновые компоненты:

(Применяются в телекоммуникациях гражданского и специального назначения, в средствах связи, РЛС, а так же военной, авиационной и аэрокосмической отраслях промышленности).



Телефон: 8 (812) 309-75-97 (многоканальный)

Факс: 8 (812) 320-03-32

Электронная почта: ocean@oceanchips.ru

Web: <http://oceanchips.ru/>

Адрес: 198099, г. Санкт-Петербург, ул. Калинина, д. 2, корп. 4, лит. А