

FEATURES

- 4 Matched NPN Transistors
 - 300 typical h_{fe} of 100
 - 300A minimum h_{fe} of 150
 - 300B minimum h_{fe} of 300
- 4 Matched PNP Transistors
 - 320 typical h_{fe} of 75
- 2 Matched PNP and 2 Matched NPN Transistors
 - 340 PNP typical h_{fe} of 75
 - 340 NPN typical h_{fe} of 100
- Low Voltage Noise
 - 0.75 nV/√Hz (PNP)
 - 0.8 nV/√Hz (NPN)
- High Speed
 - $f_T = 350$ MHz (NPN)
 - $f_T = 325$ MHz (PNP)
- 500 μ V matching between devices
- Dielectrically Isolated for low crosstalk and high DC isolation
- 36V V_{CEO}

APPLICATIONS

- Low Noise Front Ends
- Microphone Preamplifiers
- Log/Antilog Amplifiers
- Current Sources
- Current Mirrors
- Multipliers

Description

The THAT 300, 320 and 340 are large geometry, 4-transistor, monolithic NPN and/or PNP arrays. They exhibit both high speed and low noise, with excellent parameter matching between transistors of the same gender. Typical base-spreading resistance is 25 Ω for the PNP devices (30 Ω for the low-gain NPNs), so their resulting voltage noise is under 1 nV/√Hz. This makes the 300 series ideally suited for low-noise amplifier input stages, log amplifiers, and many other applications. The four-NPN transistor array is available in versions selected for h_{fe} with minimums of 150 (300A) or 300 (300B).

Fabricated in a dielectrically isolated, complementary bipolar process, each transistor is electrically insulated from the others by a layer of insulating oxide (not the reverse-biased PN junctions

used in conventional arrays). As a result, they exhibit inter-device crosstalk and DC isolation similar to that of discrete transistors. The resulting low collector-to-substrate capacitance produces a typical NPN f_T of 350 MHz (325 MHz for the PNPs). Substrate biasing is not required for normal operation, though the substrate should be ac-grounded to optimize speed and minimize crosstalk.

An eight-transistor bare-die array with similar performance characteristics (the THAT 380G) is also available from THAT Corporation. Please contact us directly or through your local distributor for more information. Military-grade temperature range packages are available from TT Semiconductor (see www.ttsemiconductor.com for more information).

| Part Number | Configuration | Package |
|-------------|--|---------|
| 300P14-U | 4-Matched NPN Transistors, Beta = 60 min. | DIP14 |
| 300S14-U | | SO14 |
| 300AS14-U | 4-Matched NPN Transistors, Beta = 150 min. | SO14 |
| 300BS14-U | 4-Matched NPN Transistors, Beta = 300 min. | SO14 |
| 320P14-U | 4-Matched PNP Transistors | DIP14 |
| 320S14-U | | SO14 |
| 340P14-U | 2-Matched NPN Transistors and 2-Matched PNP Transistors | DIP14 |
| 340S14-U | | SO14 |

Table 1. Ordering Information

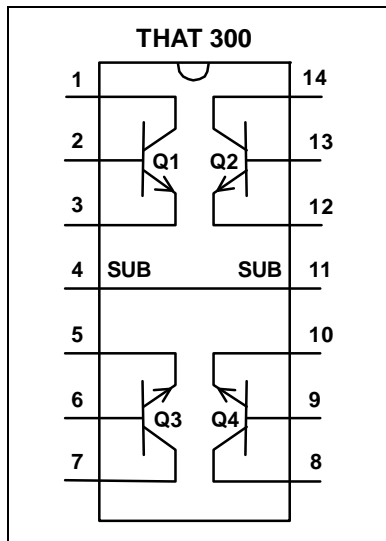


Figure 1. 300 Pinout

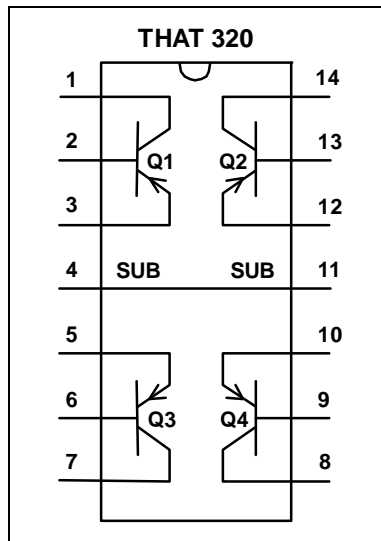


Figure 2. 320 Pinout

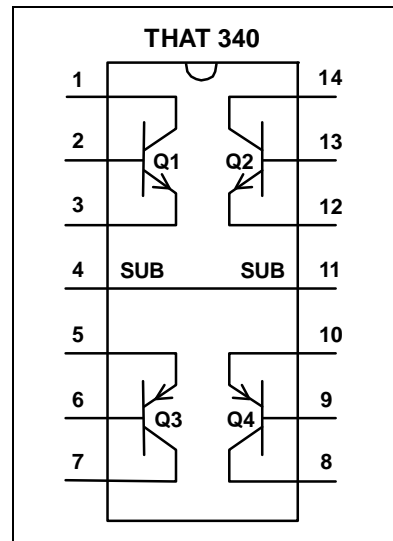


Figure 3. 340 Pinout

SPECIFICATIONS¹

| Absolute Maximum Ratings^{2,3} | | | |
|---|---------|---|----------------|
| NPN Collector-Emitter Voltage (V_{CE0}) | 36 V | Collector Current | 30 mA |
| NPN Collector-Base Voltage (V_{CBO}) | 36V | Emitter Current | 30 mA |
| PNP Collector-Emitter Voltage (V_{CE0}) | -36 V | Operating Temperature Range (T_{OP}) | -40 to +85 °C |
| PNP Collector-Base Voltage (V_{CBO}) | -36 V | Maximum Junction Temperature (T_{JMAX}) | +125 °C |
| Collector-Substrate Voltage (V_{CS}) | ± 100 V | Storage Temperature (T_{ST}) | -45 to +125 °C |

| NPN Electrical Characteristics² | | | | | | | | | | | | |
|---|-----------------|--|------------------|------|------|------|------|-----|------|------|-----|-----------------------|
| Parameter | Symbol | Conditions | 300 / 340(Q1,Q2) | | | 300A | | | 300B | | | Units |
| | | | Min | Typ | Max | Min | Typ | Max | Min | Typ | Max | |
| NPN Current gain | h_{fe} | $V_{CB} = 10\text{ V}, I_C = 1\text{ mA}$ $I_C = 10\text{ }\mu\text{A}$ | 60 | 100 | — | 150 | — | — | 300 | — | — | |
| NPN Current Gain Matching | Δh_{fe} | $V_{CB} = 10\text{ V}, I_C = 1\text{ mA}$ | — | 4 | — | — | 4 | — | — | 4 | — | % |
| NPN Noise Voltage Density | e_N | $V_{CB} = 10\text{ V}, I_C = 1\text{ mA}, 1\text{ kHz}$ | — | 0.8 | — | — | 0.9 | — | — | 1 | — | nV $\sqrt{\text{Hz}}$ |
| NPN Gain-Bandwidth Product | f_T | $I_C = 1\text{ mA}, V_{CB} = 10\text{ V}$ | — | 350 | — | — | 350 | — | — | 350 | — | MHz |
| NPN ΔV_{BE} 300: $ V_{BE1}-V_{BE2} ; V_{BE3}-V_{BE4} $ 340: $ V_{BE1}-V_{BE2} $ | V_{OS} | $I_C = 1\text{ mA}$ $I_C = 10\text{ mA}$ | — | 0.5 | 3 | — | 0.5 | 3 | — | 0.5 | 3 | mV mV |
| NPN ΔI_B 300: $ I_{B1}-I_{B2} ; I_{B3}-I_{B4} $ 340: $ I_{B1}-I_{B2} $ | I_{OS} | $I_C = 1\text{ mA}$ $I_C = 10\text{ }\mu\text{A}$ | — | 500 | 1500 | — | 200 | 600 | — | 100 | 300 | nA nA |
| NPN Collector-Base Leakage Current | I_{CBO} | $V_{CB} = 25\text{ V}$ | — | 25 | — | — | 25 | — | — | 25 | — | pA |
| NPN Bulk Resistance | r_{BE} | $V_{CB} = 0\text{ V}, 10\text{ }\mu\text{A} < I_C < 10\text{ mA}$ | — | 2 | — | — | 2 | — | — | 2 | — | Ω |
| NPN Base Spreading Resistance | r_{bb} | $V_{CB} = 10\text{ V}, I_C = 1\text{ mA}$ | — | 32 | — | — | 32 | — | — | 32 | — | Ω |
| NPN Collector Saturation Voltage | $V_{CE(SAT)}$ | $I_C = 1\text{ mA}, I_B = 100\text{ }\mu\text{A}$ | — | 0.05 | — | — | 0.05 | — | — | 0.05 | — | V |

SPECIFICATIONS¹ (Cont'd)

| NPN Electrical Characteristics² (cont'd) | | | | | | | | | | | | |
|--|------------|-----------------------------------|------------------|-----|-----|------|-----|-----|------|-----|-----|-------|
| Parameter | Symbol | Conditions | 300 / 340(Q1,Q2) | | | 300A | | | 300B | | | Units |
| | | | Min | Typ | Max | Min | Typ | Max | Min | Typ | Max | |
| NPN Output Capacitance | C_{OB} | $V_{CB} = 10V, I_E = 0mA, 100kHz$ | — | 3 | — | — | 3 | — | — | 3 | — | pF |
| NPN Breakdown Voltage | BV_{CEO} | $I_C = 10 \mu A, I_B = 0$ | 36 | 40 | — | 36 | 40 | — | 36 | 40 | — | V |
| Input Capacitance | C_{EBO} | $I_C = 0 mA, V_{EB} = 0 V$ | — | 5 | — | — | 5 | — | — | 5 | — | pF |

| PNP Electrical Characteristics² | | | | | | |
|---|-----------------|--|-----|-------|------|----------|
| Parameter | Symbol | Conditions | Min | Typ | Max | Units |
| PNP Current Gain | h_{fe} | $V_{CB} = -10 V$ $I_C = -1 mA$ $I_C = -10 \mu A$ | 50 | 75 | — | |
| PNP Current Gain Matching | Δh_{fe} | $V_{CB} = -10 V, I_C = -1 mA$ | — | 5 | — | % |
| PNP Noise Voltage Density | e_N | $V_{CB} = -10 V, I_C = -1 mA, 1 kHz$ | — | 0.75 | — | nV/√Hz |
| PNP Gain-Bandwidth Product | f_T | $I_C = -1 mA, V_{CB} = -10 V$ | — | 325 | — | MHz |
| PNP ΔV_{BE} 320: $ V_{BE1} - V_{BE2} ; V_{BE3} - V_{BE4} $ 340: $ V_{BE1} - V_{BE2} $ | V_{OS} | $I_C = -1 mA$ $I_C = -10 \mu A$ | — | 0.5 | 3 | mV mV |
| PNP ΔI_B 320: $ I_{B1} - I_{B2} ; I_{B3} - I_{B4} $ 340: $ I_{B1} - I_{B2} $ | I_{OS} | $I_C = -1 mA$ $I_C = -10 \mu A$ | — | 700 | 1800 | nA nA |
| PNP Collector-Base Leakage Current | I_{CBO} | $V_{CB} = -25 V$ | — | -25 | — | pA |
| PNP Bulk Resistance | r_{BE} | $V_{CB} = 0 V, -10 \mu A > I_C > -10 mA$ | — | 2 | — | Ω |
| PNP Base Spreading Resistance | r_{bb} | $V_{CB} = -10 V, I_C = -1 mA$ | — | 25 | — | Ω |
| PNP Collector Saturation Voltage | $V_{CE(SAT)}$ | $I_C = -1 mA, I_B = -100 \mu A$ | — | -0.05 | — | V |
| PNP Output Capacitance | C_{OB} | $V_{CB} = -10 V, I_E = 0 mA, 100 kHz$ | — | 3 | — | pF |
| PNP Breakdown Voltage | BV_{CEO} | $I_C = -10 \mu A, I_B = 0$ | -36 | -40 | — | V |
| Input Capacitance | C_{EBO} | $I_C = 0 mA, V_{EB} = 0 V$ | — | 6 | — | pF |

1. All specifications are subject to change without notice.
2. Unless otherwise noted, $T_A = 25^\circ C$.
3. Stresses above those listed under "Absolute Maximum Ratings" may cause permanent damage to the device. These are stress ratings only; the functional operation of the device at these or any other conditions above those indicated in the operational sections of this specification is not implied. Exposure to absolute maximum rating conditions for extended periods may affect device reliability.

Packaging and Soldering Information

The THAT 300, 320 and 340 are available in 14-pin PDIP and 14-pin surface mount (SOIC) packages. Package dimensions are shown below.

The 300-series packages are entirely lead-free. The lead-frames are copper, plated with successive layers of nickel, palladium, and gold. This approach makes it possible to solder these devices using lead-free and lead-bearing solders.

Neither the lead-frames nor the plastic mold compounds used in the 300-series contains any hazardous substances as specified in the European Union's Directive on the Restriction of the Use of Certain Hazardous Substances in Electrical and Electronic Equipment 2002/95/EG of January 27, 2003. The surface-mount package is suitable for use in a 100% tin solder process.

| Package Characteristics | | | | |
|-------------------------------------|---------------|--|---------------------------------|-------|
| Parameter | Symbol | Conditions | Typ | Units |
| Through-hole package | | See Fig. 4 for dimensions | 14 Pin PDIP | |
| Thermal Resistance | θ_{JA} | DIP package soldered to board | 100 | °C/W |
| Environmental Regulation Compliance | | Complies with January 27, 2003 RoHS requirements | | |
| Surface mount package | | See Fig. 5 for dimensions | 14 Pin SOP | |
| Thermal Resistance | θ_{JA} | SO package soldered to board | 100 | °C/W |
| Soldering Reflow Profile | | | JEDEC JESD22-A113-D (250 °C) | |
| Moisture Sensitivity Level | MSL | Above-referenced JEDEC soldering profile | 1 | |
| Environmental Regulation Compliance | | | Complies with RoHS requirements | |

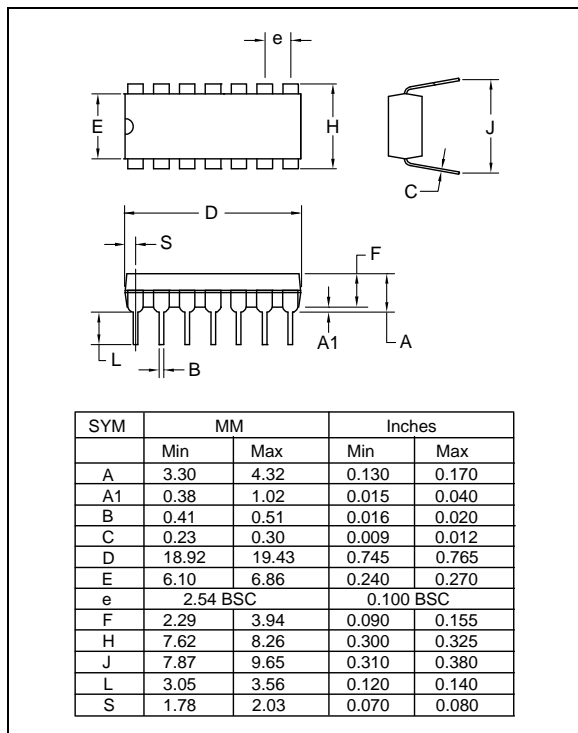


Figure 4. Dual-In-Line Package Outline

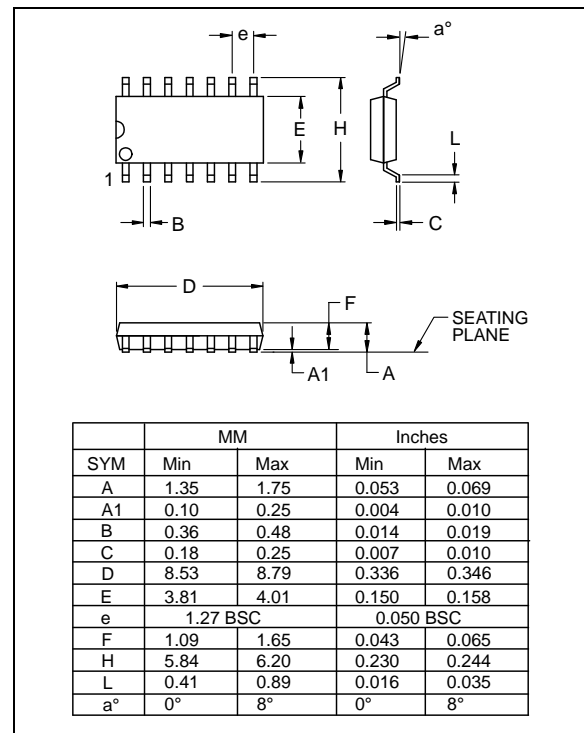


Figure 5. Surface-Mount Package Outline

THAT Corporation believes all the information furnished in this data sheet is accurate and reliable. However we assume no responsibility for its use nor for any infringements of third-party intellectual property which may result from its use.

LIFE SUPPORT POLICY

THAT Corporation ICs are not designed for use in life support equipment where a malfunction of our ICs might reasonably result in injury or death. Customers who use or sell our ICs for such life support application do so at their own risk, and shall hold THAT Corporation harmless from any and all claims, damages, suits, or expenses resulting from such use or sale.

CAUTION: THIS IS AN ESD (ELECTROSTATIC DISCHARGE) SENSITIVE DEVICE

Electrostatic charges in the range of several kV can accumulate on the human body as well as test and assembly equipment. This device can be damaged by the currents generated by electrostatic discharge from bodies and equipment. Moreover, the transistors in this device are unprotected in order to maximize performance and flexibility. Accordingly, they are more sensitive to ESD damage than many other ICs which include protection devices at their inputs. Note that all of the pins are susceptible.

Use ESD-preventative measures when storing and handling this device. Unused devices should be stored in conductive packaging. Packaging should be discharged to the destination socket before the devices are removed from their packages. ESD damage can occur to these devices even after they are installed in a board-level assembly. Circuits should include specific and appropriate ESD protection.

THAT and  are registered trademarks of THAT Corporation.

Revision History

| Revision | ECO | Date | Changes | Page |
|----------|------|------------|---|---------------------------------|
| 00 | — | April 2004 | Release | |
| 01 | 2393 | April 2010 | Changed Max. Operating Temperature from 70 °C to 85 °C. | 2 |
| 02 | 2460 | Sept. 2010 | -Added high h_{fe} versions Models 300A and 300B with accompanying specifications and information. -Revised Features, Applications, and Description sections -Revised Maximum Rating section -Added NPN Breakdown Voltage spec. -Added PNP Breakdown Voltage spec. -Added Packaging Characteristics Table. -Revised disclaimer text | — 1 2 3 3 4 5 |
| 03 | 2760 | Mar. 2013 | -Corrected surface mount package drawing. -Filled in 300A/B NPN Base Spreading Resistance spec. -Corrected error in PNP Breakdown Voltage conditions. | 4 2 3 |
| 04 | 2834 | Nov. 2013 | -Corrected through-hole package drawing. | 4 |

Notes

Notes

Компания «Океан Электроники» предлагает заключение долгосрочных отношений при поставках импортных электронных компонентов на взаимовыгодных условиях!

Наши преимущества:

- Поставка оригинальных импортных электронных компонентов напрямую с производств Америки, Европы и Азии, а так же с крупнейших складов мира;
- Широкая линейка поставок активных и пассивных импортных электронных компонентов (более 30 млн. наименований);
- Поставка сложных, дефицитных, либо снятых с производства позиций;
- Оперативные сроки поставки под заказ (от 5 рабочих дней);
- Экспресс доставка в любую точку России;
- Помощь Конструкторского Отдела и консультации квалифицированных инженеров;
- Техническая поддержка проекта, помощь в подборе аналогов, поставка прототипов;
- Поставка электронных компонентов под контролем ВП;
- Система менеджмента качества сертифицирована по Международному стандарту ISO 9001;
- При необходимости вся продукция военного и аэрокосмического назначения проходит испытания и сертификацию в лаборатории (по согласованию с заказчиком);
- Поставка специализированных компонентов военного и аэрокосмического уровня качества (Xilinx, Altera, Analog Devices, Intersil, Interpoint, Microsemi, Actel, Aeroflex, Peregrine, VPT, Syfer, Eurofarad, Texas Instruments, MS Kennedy, Miteq, Cobham, E2V, MA-COM, Hittite, Mini-Circuits, General Dynamics и др.);

Компания «Океан Электроники» является официальным дистрибьютором и эксклюзивным представителем в России одного из крупнейших производителей разъемов военного и аэрокосмического назначения «**JONHON**», а так же официальным дистрибьютором и эксклюзивным представителем в России производителя высокотехнологичных и надежных решений для передачи СВЧ сигналов «**FORSTAR**».



JONHON

«**JONHON**» (основан в 1970 г.)

Разъемы специального, военного и аэрокосмического назначения:

(Применяются в военной, авиационной, аэрокосмической, морской, железнодорожной, горно- и нефтедобывающей отраслях промышленности)

«**FORSTAR**» (основан в 1998 г.)

ВЧ соединители, коаксиальные кабели,
кабельные сборки и микроволновые компоненты:

(Применяются в телекоммуникациях гражданского и специального назначения, в средствах связи, РЛС, а так же военной, авиационной и аэрокосмической отраслях промышленности).



Телефон: 8 (812) 309-75-97 (многоканальный)

Факс: 8 (812) 320-03-32

Электронная почта: ocean@oceanchips.ru

Web: <http://oceanchips.ru/>

Адрес: 198099, г. Санкт-Петербург, ул. Калинина, д. 2, корп. 4, лит. А