

## MAX20021/MAX20022

## Automotive Quad, Low-Voltage Step-Down DC-DC Converters

### General Description

The MAX20021/MAX20022 power-management ICs (PMICs) integrate four low-voltage, high-efficiency, step-down DC-DC converters. Each of the four outputs is factory or resistor programmable between 1.0V to 4.0V and can deliver up to 1.0A of current. The PMICs operate from 3.0V to 5.5V, making them ideal for automotive point-of-load and post-regulation applications.

The PMICs feature fixed-frequency PWM-mode operation with a switching frequency of 2.2MHz or 3.2MHz. High-frequency operation allows for an all-ceramic capacitor design and small-size external components. The low-resistance on-chip switches ensure high efficiency at heavy loads while minimizing critical inductances, making the layout a much simpler task with respect to discrete solutions. Internal current sensing and loop compensation reduce board space and system cost.

The PMICs offer a spread-spectrum option to reduce radiated emissions. Two of the four buck converters operate 180° out-of-phase with the internal clock. This feature reduces the necessary input capacitance and improves EMI as well. All four buck converters operate in constant-PWM mode outside the AM band. The PMICs offer a SYNC input to synchronize to an external clock.

The PMICs provide individual enable inputs and power-good/reset outputs, as well as factory-programmable  $\overline{\text{RESET}}$  times.

The PMICs offer several important protection features including: input overvoltage protection, input undervoltage monitoring, input undervoltage lockout, cycle-by-cycle current limiting, and overtemperature shutdown. The input undervoltage monitor indicates a brownout condition by driving  $\text{PG}_-$  low when the input falls below the UVM threshold.

The MAX20021/MAX20022 PMICs are available in a 28-pin TQFN package with an exposed pad and are specified for operation over the -40°C to +125°C automotive temperature range.

### Applications

- Automotive
- Industrial

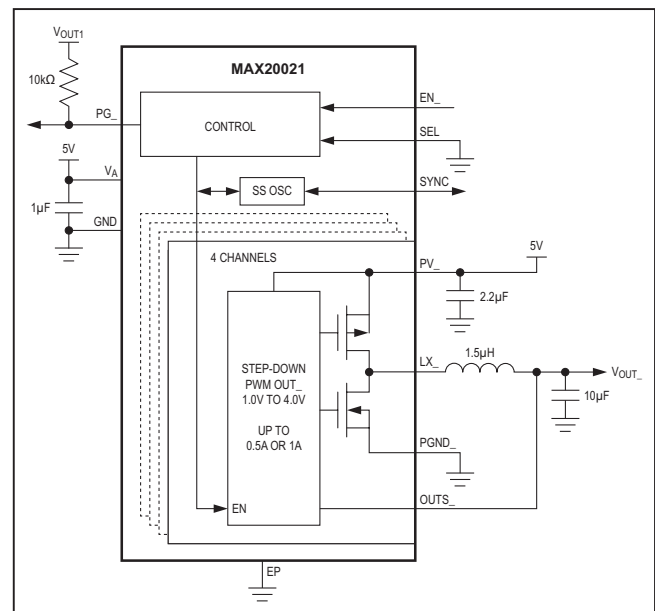
**Ordering Information/Selector Guide** appear at end of data sheet.

For related parts and recommended products to use with this part, refer to [www.maximintegrated.com/MAX20021.related](http://www.maximintegrated.com/MAX20021.related).

### Benefits and Features

- Quad Step-Down DC-DC Converters with Integrated FETs
- Operate from 3.0V to 5.5V Supply Voltage
- 1.0V to 4.0V Fixed or Adjustable Output Voltage
- 2.2MHz (MAX20022) or 3.2MHz (MAX20021) Switching Frequency
- Four Channels Capable of Delivering Up to 1A Each
- Designed to Improve Automotive EMI Performance
  - Forced-PWM Operation
  - Two Channels 180° Out-of-Phase
  - SYNC Input
  - Spread-Spectrum Option
- Soft-Start and Supply Sequencing Reduces Inrush Current
- Individual Enable Inputs and Power-Good Outputs to Simplify Sequencing
- OV/UV Input-Voltage Monitoring
- Overtemperature and Short-Circuit Protection
- 28-Pin (5mm x 5mm x 0.8mm) TQFN-EP Package
- -40°C to +125°C Operating Temperature Range

### Simplified Block Diagram



**Absolute Maximum Ratings**

PV_ to PGND_.....	-0.3V to +6.0V	ESD <sub>HB</sub> .....	±2kV
V <sub>A</sub> to GND.....	-0.3V to +6.0V	ESD <sub>MM</sub> .....	±200V
OUTS_, EN_, PG_, SYNC, SEL to GND.....	-0.3V to V <sub>A</sub> + 0.3V	Operating Temperature Range.....	-40°C to +125°C
PV_ to PV_.....	-0.3V to +0.3V	Junction Temperature.....	+150°C
PGND_ to GND.....	-0.3V to +0.3V	Storage Temperature Range.....	-65°C to +150°C
LX_ to PGND.....	-1.0V to PV_ + 0.3V	Lead Temperature (soldering, 10s).....	+300°C
LX_ Continuous RMS Current.....	2.0A	Soldering Temperature (reflow).....	+260°C
Output Short-Circuit Duration.....	Continuous		
Continuous Power Dissipation (T <sub>A</sub> = +70°C)			
TQFN (derate 28.6mW/°C above +70°C).....	2285mW		

**Package Thermal Characteristics (Note 1)**

TQFN  
 Junction-to-Ambient Thermal Resistance (θ<sub>JA</sub>) .....35°C/W      Junction-to-Case Thermal Resistance (θ<sub>JC</sub>).....3°C/W

**Note 1:** Package thermal resistances were obtained using the method described in JEDEC specification JESD51-7, using a four-layer board. For detailed information on package thermal considerations, refer to [www.maximintegrated.com/thermal-tutorial](http://www.maximintegrated.com/thermal-tutorial).

*Stresses beyond those listed under "Absolute Maximum Ratings" may cause permanent damage to the device. These are stress ratings only, and functional operation of the device at these or any other conditions beyond those indicated in the operational sections of the specifications is not implied. Exposure to absolute maximum rating conditions for extended periods may affect device reliability.*

**Electrical Characteristics**

(V<sub>A</sub> = V<sub>PV1</sub> = V<sub>PV2</sub> = V<sub>PV3</sub> = V<sub>PV4</sub> = 5.0V; T<sub>A</sub> = T<sub>J</sub> = -40°C to +125°C, unless otherwise noted. Typical values are at T<sub>A</sub> = +25°C under normal conditions, unless otherwise noted.) (Note 2)

PARAMETER	SYMBOL	CONDITIONS	MIN	TYP	MAX	UNIT	
<b>GENERAL</b>							
Supply Voltage Range	V <sub>PV_</sub>	Fully operational	3.0		5.5	V	
Supply Current	I <sub>PV0</sub>	No load, no switching, V <sub>EN1</sub> = V <sub>EN2</sub> = V <sub>EN3</sub> = V <sub>EN4</sub> = V <sub>PV_</sub>	2.5	3.8	5	mA	
Shut-Off Current	I <sub>VPSD</sub>	V <sub>EN1</sub> = V <sub>EN2</sub> = V <sub>EN3</sub> = V <sub>EN4</sub> = V <sub>GND</sub>	T <sub>A</sub> = +25°C	0.1	2	µA	
			T <sub>A</sub> = +125°C	2			
Overvoltage Threshold		Rising	5.6	5.8	6	V	
		Hysteresis		0.1			
Undervoltage Monitor Threshold		UVM option enabled	V <sub>PV_</sub> falling	4.15	4.3	4.45	V
			V <sub>PV_</sub> hysteresis		0.1		
UVLO Threshold		V <sub>PV_</sub> falling	2.68			V	
		V <sub>PV_</sub> rising			3.0		
PWM Switching Frequency	f <sub>SW</sub>	Switching frequency = 2.2MHz (see the <i>Selector Guide</i> )	2.0	2.2	2.4	MHz	
		Switching frequency = 3.2MHz (see the <i>Selector Guide</i> )	3.0	3.2	3.4		
Spread Spectrum	Df/f	Spread-spectrum option = enabled (see the <i>Selector Guide</i> )		+3		%	

**Electrical Characteristics (continued)**

( $V_A = V_{PV1} = V_{PV2} = V_{PV3} = V_{PV4} = 5.0V$ ;  $T_A = T_J = -40^{\circ}C$  to  $+125^{\circ}C$ , unless otherwise noted. Typical values are at  $T_A = +25^{\circ}C$  under normal conditions, unless otherwise noted.) (Note 2)

PARAMETER	SYMBOL	CONDITIONS	MIN	TYP	MAX	UNIT
SYNC Input Frequency Range	$f_{SYNC}$	PWM switching frequency = 2.2MHz (see the <i>Selector Guide</i> )	1.7		2.5	MHz
		PWM switching frequency = 3.2MHz (see the <i>Selector Guide</i> )	2.8		3.5	
<b>OUT1, OUT2, OUT3, OUT4—SYNCHRONOUS STEP-DOWN DC-DC CONVERTERS</b>						
Fixed DC Output Accuracy		$I_{LOAD} = 0mA$		+1.5		%
		$I_{LOAD} = 0mA$ to $I_{MAX}$	-3		+3	
FB DC Set-Point Accuracy	$V_{SFB\_}$	MAX20022	$I_{LOAD} = 0mA$	1015		mV
			$I_{LOAD} = 0mA$ to $I_{MAX}$	970	1030	
Load Regulation		$I_{LOAD} = I_{MAX}$		-1.5	-2.5	%
Line Regulation		$I_{LOAD} = I_{MAX}/2$ , $V_{PV\_} = 4.5V$ to $5.5V$		+0.3		%
pMOS On-Resistance		$V_{PV\_} = 5.0V$ , $I_{LX\_} = 0.2A$		125	250	m $\Omega$
nMOS On-Resistance		$V_{PV\_} = 5.0V$ , $I_{LX\_} = 0.2A$		100	200	m $\Omega$
pMOS Current-Limit Threshold	$I_{LIM}$	1.0A channel output (see the <i>Selector Guide</i> )	1.4	1.65	2	A
		0.5A channel output (see the <i>Selector Guide</i> )	0.8	1.1	1.5	
Soft-Start Ramp Time				3272		Cycles
OUTS Leakage Current	$I_{B\_OUTS}$	Externally adjustable output		20		nA
LX Leakage Current		$V_{PV\_} = 5.0V$ , $LX\_ = V_{PGND\_}$ or $V_{PV\_}$		0.1		$\mu A$
Minimum On-Time				45	66	ns
LX Rise/Fall Time				4		ns
Duty Cycle Range					100	%
OUTS_ Discharge Resistance		$V_{EN\_} = V_{GND}$		35		$\Omega$
OUT1, OUT2 Phasing		(Note 3)		0		Degrees
OUT3, OUT4 Phasing		(Note 3)		180		Degrees
<b>THERMAL OVERLOAD</b>						
Thermal-Shutdown Temperature		$T_J$ rising (Note 4)		+185		$^{\circ}C$
Hysteresis		(Note 4)		15		$^{\circ}C$
<b>OUTPUT POWER-GOOD INDICATORS (PG_)</b>						
Output Overvoltage Threshold		$V_{OUT}$ rising (percentage of nominal output)	106	110	114	%
Output Undervoltage Threshold		$V_{OUT}$ falling (percentage of nominal output)	92.5	94	96	%
		$V_{OUT}$ rising (percentage of nominal output)	93.5	95	97	

**Electrical Characteristics (continued)**

( $V_A = V_{PV1} = V_{PV2} = V_{PV3} = V_{PV4} = 5.0V$ ;  $T_A = T_J = -40^{\circ}C$  to  $+125^{\circ}C$ , unless otherwise noted. Typical values are at  $T_A = +25^{\circ}C$  under normal conditions, unless otherwise noted.) (Note 2)

PARAMETER	SYMBOL	CONDITIONS	MIN	TYP	MAX	UNIT
UV/OV Propagation Delay				15		$\mu s$
PG_ Output High Leakage Current				0.1		$\mu A$
PG_ Output Low Level		$V_{PV\_} = 3.0V$ , sinking 3mA			0.22	V
<b>ENABLE INPUTS (EN_)</b>						
Input High Level		$V_{PV\_} = 5.0V$ , $V_{EN\_}$ rising	0.7	1.0	1.3	V
Hysteresis		$V_{PV\_} = 5.0V$ , $V_{EN\_}$ falling		50		mV
Pulldown Resistance				100		k $\Omega$
<b>DIGITAL INTERFACE (SYNC, SEL)</b>						
Input Voltage High	$V_{INH}$		1.5			V
Input Voltage Low	$V_{INL}$				0.5	V
Input Voltage Hysteresis				70		mV
Pulldown Resistance				100		k $\Omega$

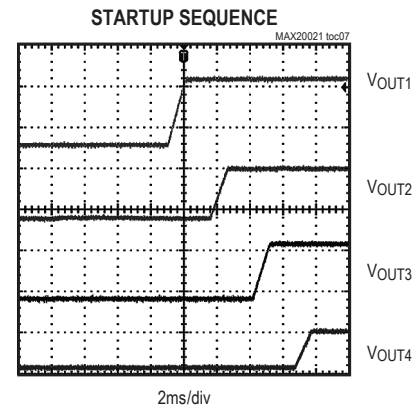
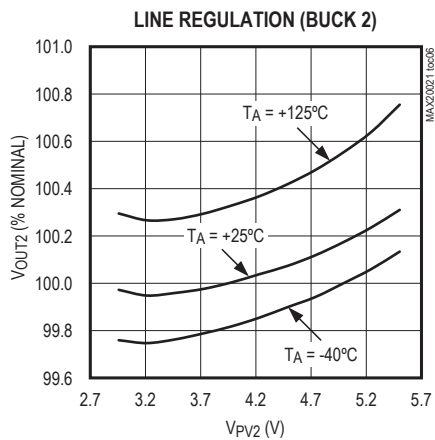
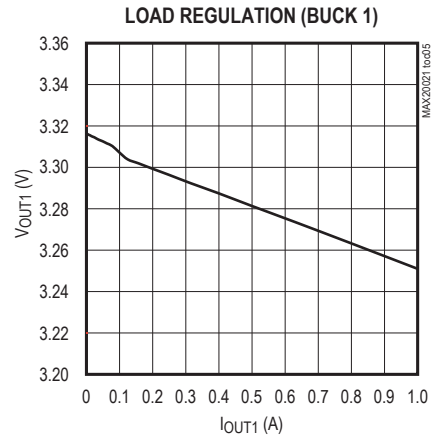
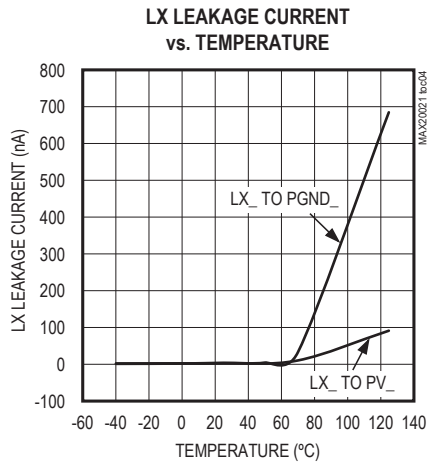
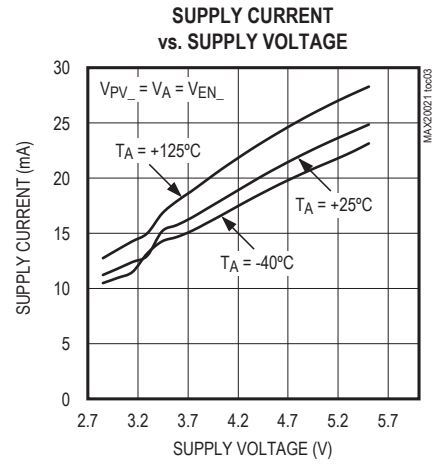
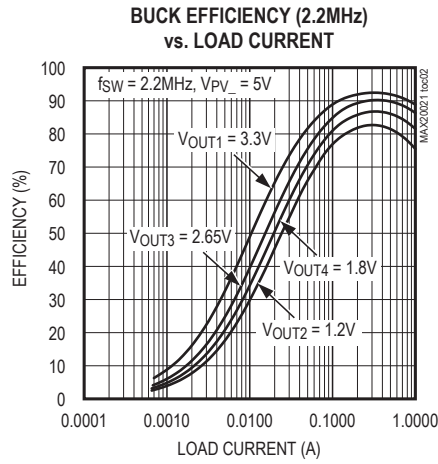
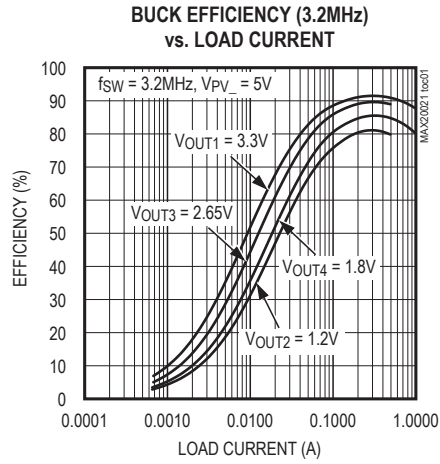
**Note 2:** All units are 100% production tested at  $+25^{\circ}C$ . All temperature limits are guaranteed by design.

**Note 3:** Phase measurement is in relation to the rising edge of  $V_{LX\_}$ .

**Note 4:** Guaranteed by design. Not production tested.

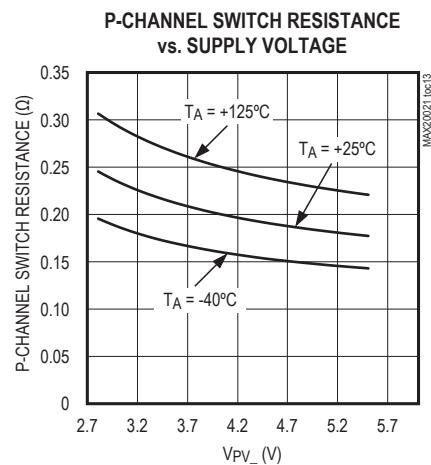
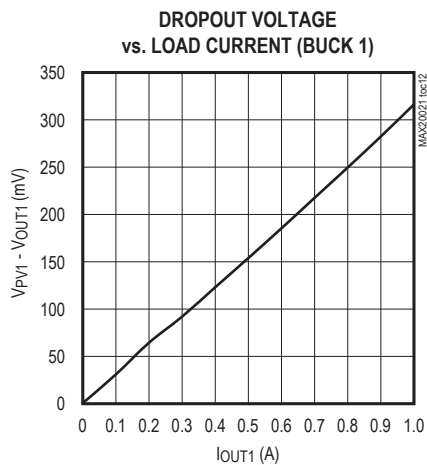
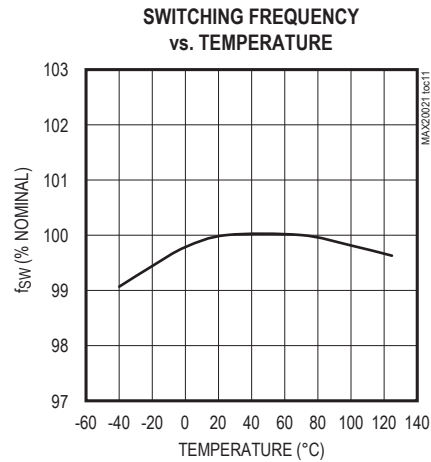
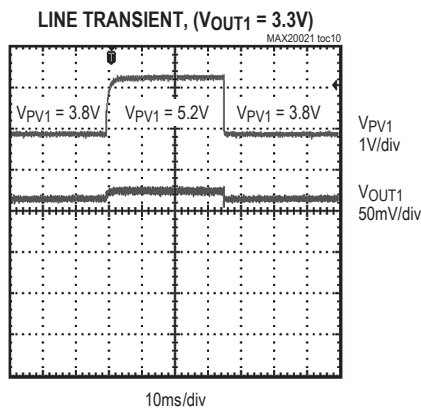
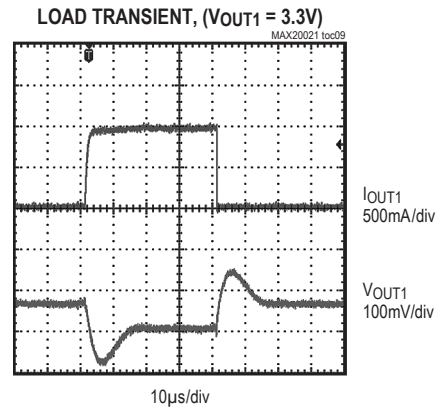
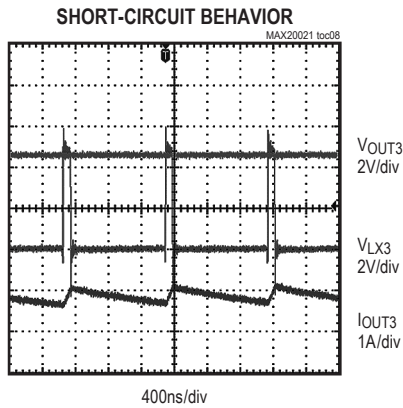
Typical Operating Characteristics

( $V_A = V_{PV1} = V_{PV2} = V_{PV3} = V_{PV4} = 5.0V$ ;  $T_A = +25^\circ C$ , unless otherwise noted.)



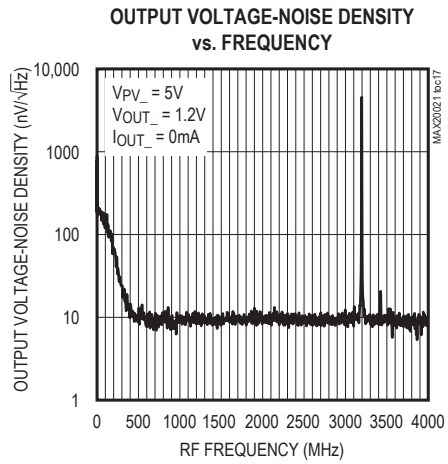
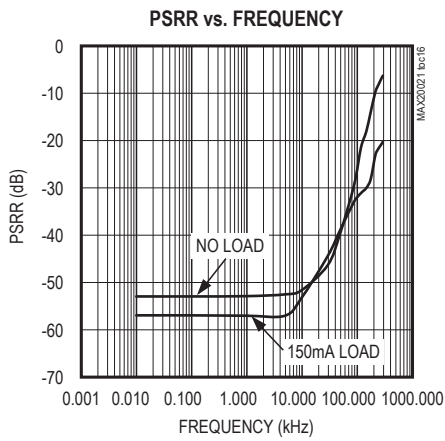
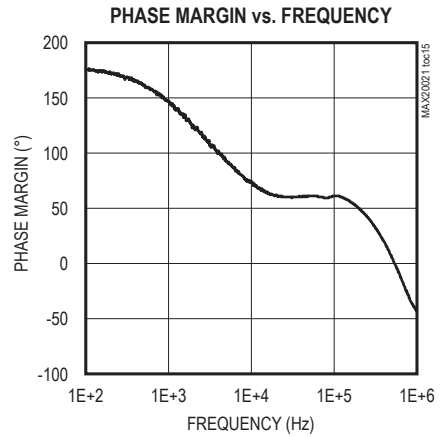
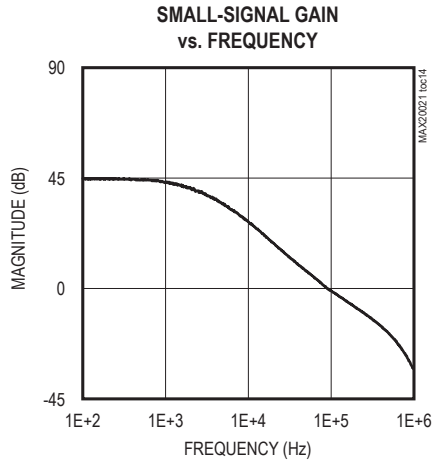
Typical Operating Characteristics (continued)

( $V_A = V_{PV1} = V_{PV2} = V_{PV3} = V_{PV4} = 5.0V$ ;  $T_A = +25^\circ C$ , unless otherwise noted.)

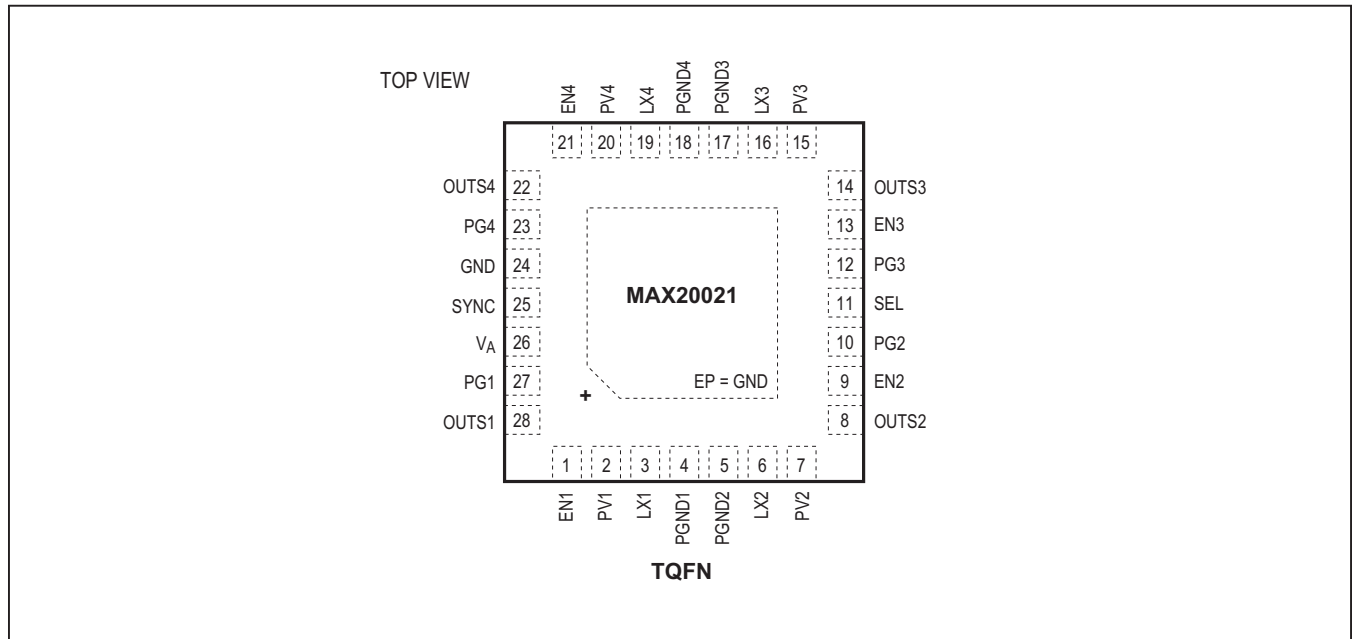


Typical Operating Characteristics (continued)

( $V_A = V_{PV1} = V_{PV2} = V_{PV3} = V_{PV4} = 5.0V$ ;  $T_A = +25^\circ C$ , unless otherwise noted.)



Pin Configuration



Pin Description

PIN	NAME	FUNCTION
1	EN1	Active-High Digital Enable Input for Buck 1. Driving EN1 high enables Buck 1.
2	PV1	Buck 1 Voltage Input. Connect a 2.2µF or larger ceramic capacitor from PV1 to PGND1 as close as possible to the device.
3	LX1	Buck 1 Switching Node. LX1 is high impedance when the device is off.
4	PGND1	Power Ground for Buck 1
5	PGND2	Power Ground for Buck 2
6	LX2	Buck 2 Switching Node. LX2 is high impedance when the device is off.
7	PV2	Buck 2 Voltage Input. Connect a 2.2µF or larger ceramic capacitor from PV2 to PGND2 as close as possible to the device.
8	OUTS2	Buck 2 Voltage Sense Input
9	EN2	Active-High Digital Enable Input for Buck 2. Driving EN2 high enables Buck 2.
10	PG2	Open-Drain, Active-High, Power-Good Output for Buck 2. To obtain a logic signal, pull up PG2 with an external resistor connected to a positive voltage equal to or lower than V <sub>A</sub> .
11	SEL	Buck 3 Output-Voltage Select Input. Connect SEL to PGND <sub>n</sub> for a 1.8V output. Connect SEL to PV <sub>n</sub> for a 2.65V output. Do not toggle during normal operation.
12	PG3	Open-Drain, Active-High, Power-Good Output for Buck 3. To obtain a logic signal, pull up PG3 with an external resistor connected to a positive voltage equal to or lower than V <sub>A</sub> .
13	EN3	Active-High Digital Enable Input for Buck 3. Driving EN3 high enables Buck 3.
14	OUTS3	Buck 3 Voltage Sense Input



## Pin Description (continued)

PIN	NAME	FUNCTION
15	PV3	Buck 3 Voltage Input. Connect a 2.2 $\mu$ F or larger ceramic capacitor from PV3 to PGND3 as close as possible to the device.
16	LX3	Buck 3 Switching Node. LX3 is high impedance when the device is off.
17	PGND3	Power Ground for Buck 3
18	PGND4	Power Ground for Buck 4
19	LX4	Buck 4 Switching Node. LX4 is high impedance when the device is off.
20	PV4	Buck 4 Voltage Input. Connect a 2.2 $\mu$ F or larger ceramic capacitor from PV4 to PGND4 as close as possible to the device.
21	EN4	Active-High Digital Enable Input for Buck 4. Driving EN4 high enables Buck 4.
22	OUTS4	Buck 4 Voltage Sense Input
23	PG4	Open-Drain, Active-High, Power-Good Output for Buck 4. To obtain a logic signal, pull up PG4 with an external resistor connected to a positive voltage equal to or lower than $V_A$ .
24	GND	Analog Ground
25	SYNC	SYNC Input. Supply an external clock to control the switching frequency. Connect SYNC to PGND_ to use the default switching frequency.
26	$V_A$	Analog Voltage Supply. Connect a 1 $\mu$ F or larger ceramic capacitor from $V_A$ to GND as close as possible to the device. Connect to the same supply as PV_ inputs.
27	PG1	Open-Drain, Active-High, Power-Good Output for Buck 1. To obtain a logic signal, pull up PG1 with an external resistor connected to a positive voltage equal to or lower than $V_A$ .
28	OUTS1	Buck 1 Voltage Sense Input
—	EP	Exposed Pad. Connect the exposed pad to ground. Connecting the exposed pad to ground does not remove the requirement for proper ground connections to PGND1–PGND4 and GND. The exposed pad is attached with epoxy to the substrate of the die, making it an excellent path to remove heat from the IC.

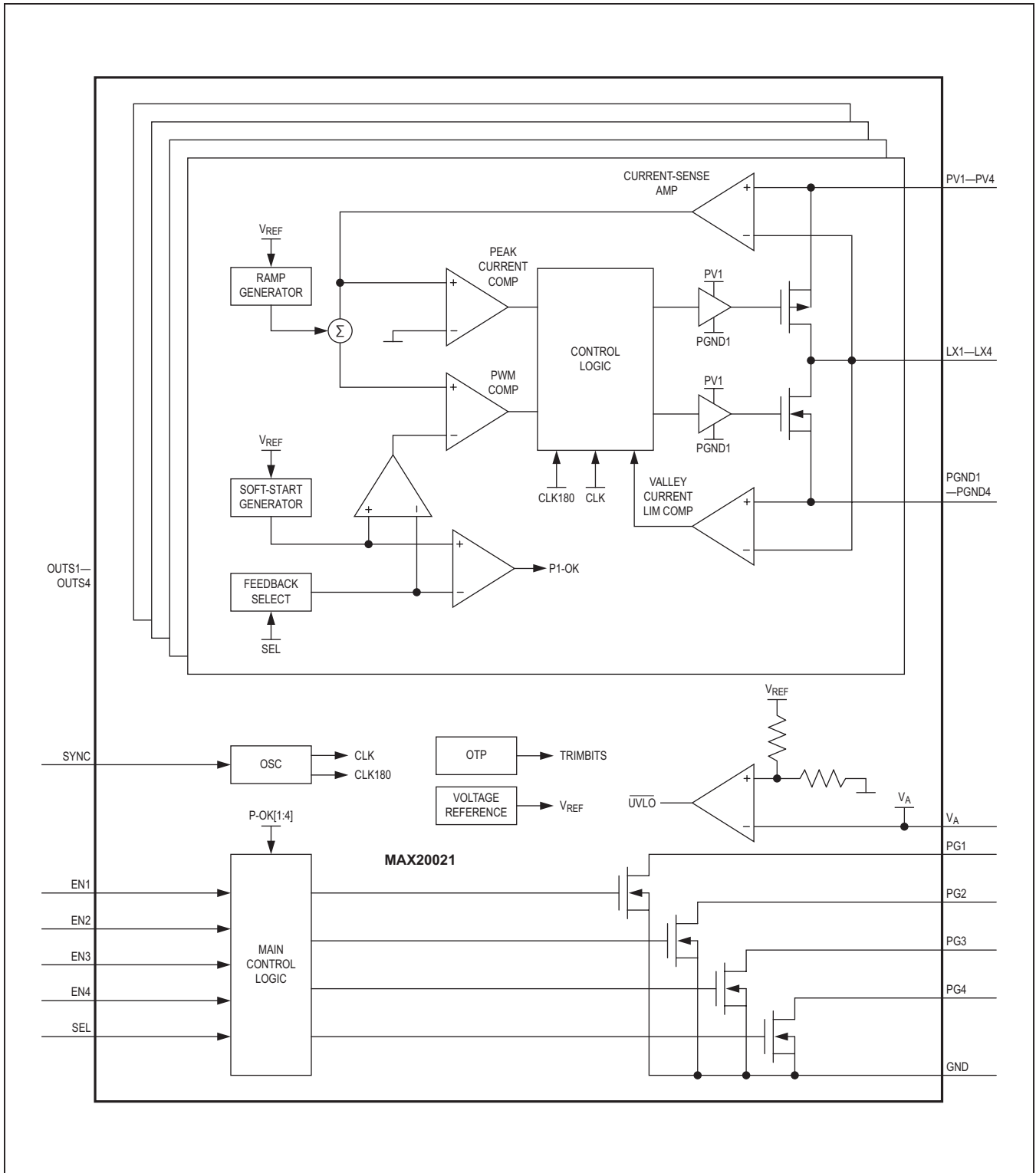


Figure 1. Internal Block Diagram

## Detailed Description

The MAX20021/MAX20022 PMICs offer four, high-efficiency, synchronous step-down converters that operate with a 3.0V to 5.5V input voltage range and provide a 1.0V to 4.0V output voltage range. The PMICs deliver up to 1.0A of load current per output. The PMICs achieve  $\pm 3\%$  output error over load, line, and temperature ranges.

The PMICs feature fixed-frequency PWM-mode operation with a 2.2MHz or 3.2MHz switching frequency. An optional spread-spectrum frequency modulation minimizes radiated electromagnetic emissions due to the switching frequency, while a factory-programmable synchronization input (SYNC) allows the device to synchronize to an external clock.

Integrated low  $R_{DS(on)}$  switches help minimize efficiency losses at heavy loads and reduce critical/parasitic inductance, making the layout a much simpler task with respect to discrete solutions.

The PMICs are offered in factory-preset output voltages to allow customers to achieve  $\pm 3\%$  output-voltage accuracy, without using expensive 0.1% resistors. In addition, adjustable output-voltage versions can be set to any desired values between 1.0V and 4.0V using an external resistive divider. See the *Selector Guide* for available options.

Additionally, each converter features soft-start, PG<sub>o</sub> output, overcurrent, and overtemperature protections (see Figure 1).

### Control Scheme

The PMICs use peak current-mode control. The devices feature internal slope compensation and internal loop compensation, both of which reduce board space and allow a very compact solution.

### Hybrid Load-Line Architecture

The PMICs feature hybrid load-line architecture to reduce the output capacitance needed, potentially saving system cost and size. This results in a measurable load transient response.

### Input Overvoltage Monitoring (OV)

The PMICs feature an input overvoltage-monitoring circuit on the input supply. When the input exceeds 5.8V (typ) all power-good indicators (PG<sub>o</sub>) go low. When the input supply returns to within the operating range of 5.7V (typ) or less during the timeout period, the power-good indicators go high.

### Input Undervoltage Monitoring (UVM)

The MAX20021 features an input undervoltage monitoring circuit on the input supply. When the input drops below

4.3V (typ), all power-good indicators (PG<sub>o</sub>) go low to indicate a potential brownout condition. The device remains operational down to the UVLO threshold. When the input voltage exceeds the UV threshold above 4.4V (typ), PG<sub>o</sub> remains low for the factory-trimmed “active timeout period.” UVM is a factory-selectable option.

### Input Undervoltage Lockout (UVLO)

The PMICs feature an undervoltage lockout on the PV<sub>o</sub> inputs set at 2.77V (typ) falling. This prevents loss of control of the device by shutting down all outputs. This circuit is only active when at least one buck converter is enabled.

### Power-Good Outputs (PG<sub>o</sub>)

The PMICs feature an open-drain power-good output for each of the four buck regulators. PG<sub>o</sub> asserts low when the output voltage drops 6% below the regulated voltage or 10% above the regulated voltage for approximately 15 $\mu$ s. PG<sub>o</sub> remains asserted for a fixed 20,480 switching cycles after the output returns to its regulated voltage. PG<sub>o</sub> asserts low during soft-start and in shutdown. PG<sub>o</sub> becomes high impedance when Buck<sub>n</sub> is in regulation. Connect PG<sub>o</sub> to a logic supply with a 10k $\Omega$  resistor.

### Soft-Start

The PMICs include a 3272 switching cycle fixed-duration soft-start time. The soft-start time limits startup inrush current by forcing the output voltage to ramp up towards its regulation point. During soft-start, the converters operate in skip mode to prevent the outputs from discharging.

When the PMICs exit UVLO or thermal shutdown, there is a fixed blanking time for EN2–EN4 to prevent all four outputs from going through soft-start at the same time. After 24,576 switching cycles with UVLO high and at least one buck converter enabled, there is no blanking time between EN2–EN4 high and the start of soft-start.

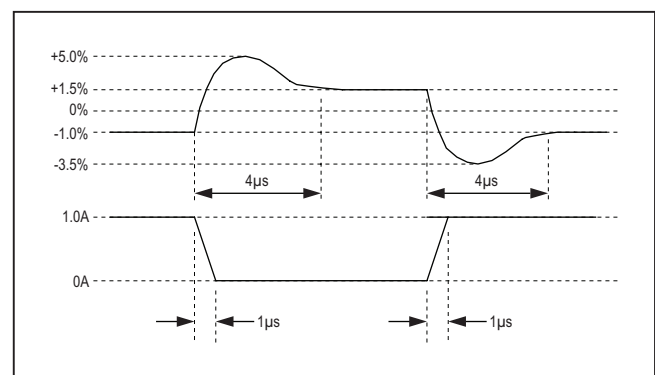


Figure 2. Load Transient Response

**Output 3 Voltage Select (SEL)**

The MAX20021 offers a SEL input to allow selection of the OUT3 voltage. For fixed output versions, connect SEL to PGND\_ for a 1.8V output or to PV\_ for a 2.65V output. There is no soft transition between the two output-voltage settings, so SEL should not be toggled during normal operation. For the MAX20022, connect SEL to PGND\_ or leave unconnected.

**Spread-Spectrum Option**

The PMICs feature a linear spread-spectrum (SS) operation, which varies the internal operating frequency between  $f_{SW}$  and  $(f_{SW} + 3\%)$ . The internal oscillator is frequency modulated at a rate of 1.5kHz with a frequency deviation of 3% (see Figure 4). This function does not apply to an oscillation frequency applied externally through the SYNC pin. Spread spectrum is a factory-selectable option. See the *Selector Guide* for available options.

**Synchronization (SYNC)**

The PMICs feature a SYNC input to allow the internal oscillator to synchronize with an external clock. SYNC accepts signal frequencies in the range of  $1.7\text{MHz} < f_{SYNC} < 2.5\text{MHz}$  (2.2MHz option), or  $2.7\text{MHz} < f_{SYNC} < 3.5\text{MHz}$  (3.2MHz option). Connect to PGND\_ if the SYNC feature is not used.

**Current Limit/Short-Circuit Protection**

The PMICs offer a current-limit feature that protects the devices against short-circuit and overload conditions on each output. In the event of a short-circuit or overload

condition at an output, the high-side MOSFET remains on until the inductor current reaches the high-side MOSFET's current-limit threshold. The converter then turns on the low-side MOSFET and the inductor current ramps down. The converter allows the high-side MOSFET to turn on only when the inductor current ramps down to the low-side MOSFET's current threshold. This cycle repeats until the short or overload condition is removed.

**Overtemperature Protection**

Thermal-overload protection limits the total power dissipation in the PMICs. When the junction temperature exceeds  $185^{\circ}\text{C}$  (typ), an internal thermal sensor shuts down the step-down converters, allowing the IC to cool. The thermal sensor turns on the IC again after the junction temperature cools by  $15^{\circ}\text{C}$ . The IC goes through a standard power-up sequence as defined in the *Soft-Start* section.

**Applications Information**

**Adjustable Output-Voltage Option**

The MAX20022 features adjustable output voltages (see the *Selector Guide* for more details), which allows the customer to set the outputs to any voltage between 1.0V and  $V_{PV\_} - 0.5\text{V}$  (up to 4.0V). Connect a resistive divider from output ( $V_{OUT\_}$ ) to  $OUTS\_$  to GND to set the output voltage (see Figure 5). Select R2 ( $OUTS\_$  to the GND resistor) less than or equal to  $100\text{k}\Omega$ . Calculate R1 ( $V_{OUT\_}$  to the  $OUTS\_$  resistor) with the following equation:

$$R1 = R2 \left[ \left( \frac{V_{OUT\_}}{V_{OUTS\_}} \right) - 1 \right]$$

where  $V_{OUTS\_} = 1000\text{mV}$  (see the *Electrical Characteristics* table). The output voltage is nominal at 50% load current.

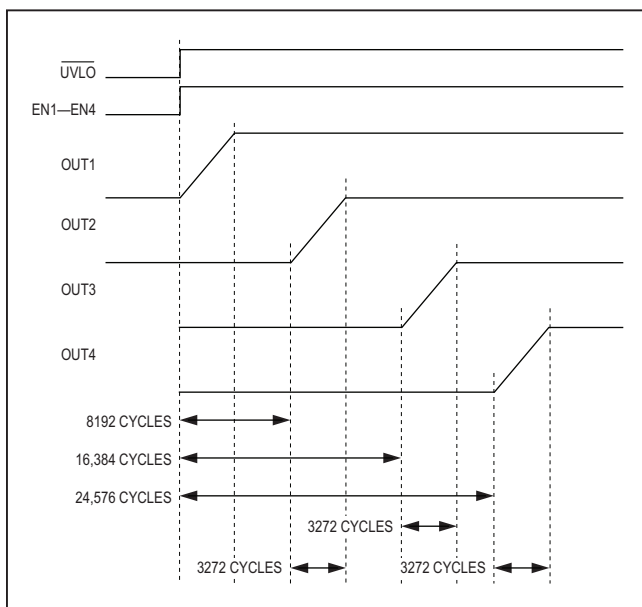


Figure 3. Power-Up Soft-Start Delays

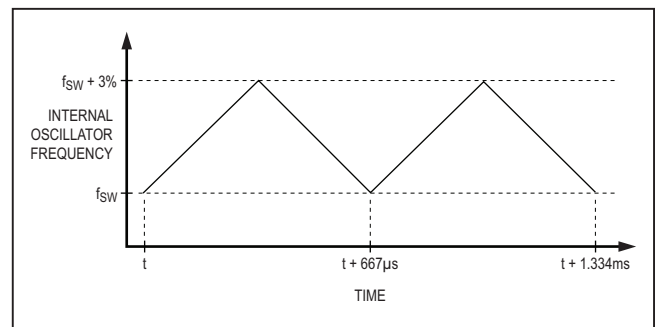


Figure 4. Effect of Spread-Spectrum on Internal Oscillator

The external feedback resistive divider must be frequency compensated for proper operation. Place a capacitor across R1 in the resistive divider network. Use the following equation to determine the value of the capacitor:

$$\text{If } \frac{R2}{R1} > 1, C1 = C \left( \frac{R2}{R1} \right)$$

else  $C1 = C$ , where  $C = 15\text{pF}$

Connect OUTS\_ to V<sub>OUT\_</sub> for a fixed 1.0V output voltage.

### Inductor Selection

The PMICs are optimized for use with a 1.5µH inductor for 2.2MHz and 3.2MHz operation. Chip inductors can be used for additional board-space savings.

### Input Capacitor

The PMICs are designed to operate with a single 2.2µF ceramic bypass capacitor on each PV\_ input. Phase interleaving of the four buck converters contributes to a lower required input capacitance by canceling input ripple currents. Place the bypass capacitors as close as possible to their corresponding PV\_ input to ensure the best EMI and jitter performance.

### Output Capacitor

All outputs of the PMICs are optimized for use with a 10µF X7R ceramic capacitor. Additional output capacitance can be used if better voltage ripple or load transient response is required. Due to the soft-start sequence, the device is unable to drive arbitrarily large output capacitors.

### Thermal Considerations

How much power the package can dissipate strongly depends on the mounting method of the IC to the PCB and the copper area for cooling. Using the JEDEC test standard, the maximum power dissipation allowed is 2285mW in the TQFN package. More power dissipation

can be handled by the package if great attention is given during PCB layout. For example, using the top and bottom copper as a heatsink and connecting the thermal vias to one of the middle layers (GND) transfers the heat from the package into the board more efficiently, resulting in lower junction temperature at high power dissipation in some PMIC applications. Furthermore, the solder mask around the IC area on both top and bottom layers can be removed to radiate the heat directly into the air. The maximum allowable power dissipation in the IC is as follows:

$$P_{MAX} = \frac{(T_{J(MAX)} - T_A)}{\theta_{JC} + \theta_{CA}}$$

where  $T_{J(MAX)}$  is the maximum junction temperature (+150°C),  $T_A$  is the ambient air temperature,  $\theta_{JC}$  (3°C/W for the 28-pin TQFN) is the thermal resistance from the junction to the case, and  $\theta_{CA}$  is the thermal resistance from the case to the surrounding air through the PCB, copper traces, and the package materials.  $\theta_{CA}$  is directly related to system-level variables and can be modified to increase the maximum power dissipation.

The TQFN package has an exposed thermal pad on its underside. This pad provides a low thermal-resistance path for heat transfer into the PCB. This low thermally resistive path carries a majority of the heat away from the IC. The PCB is effectively a heatsink for the IC. The exposed pad should be connected to a large ground plane for proper thermal and electrical performance. The minimum size of the ground plane is dependent upon many system variables. To create an efficient path, the exposed pad should be soldered to a thermal landing, which is connected to the ground plane by thermal vias. The thermal landing should be at least as large as the exposed pad and can be made larger depending on the amount of free space from the exposed pad to the other pin landings. A sample layout is available on the MAX20022 evaluation kit to speed designs.

### PCB Layout Guidelines

Careful PCB layout is critical to achieve low switching losses and clean, stable operation. Use a multilayer board whenever possible for better noise immunity and power dissipation. Follow these guidelines for good PCB layout:

- 1) Use a large contiguous copper plane under the PMIC packages. Ensure that all heat-dissipating components have adequate cooling.
- 2) Keep the high-current paths short, especially at the ground terminals. This practice is essential for stable, jitter-free operation. The high current path comprising of input capacitor, inductor, and the output capacitor should be as short as possible.

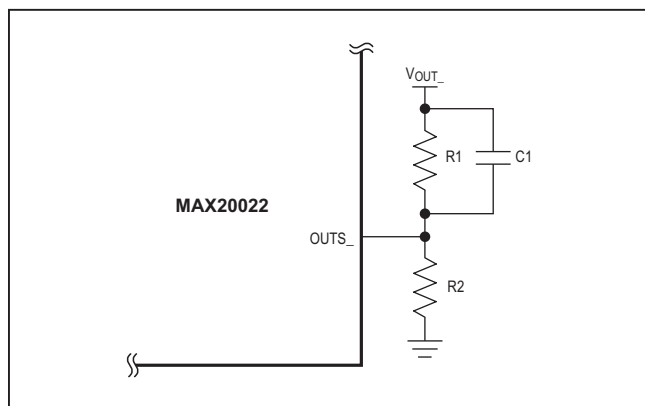
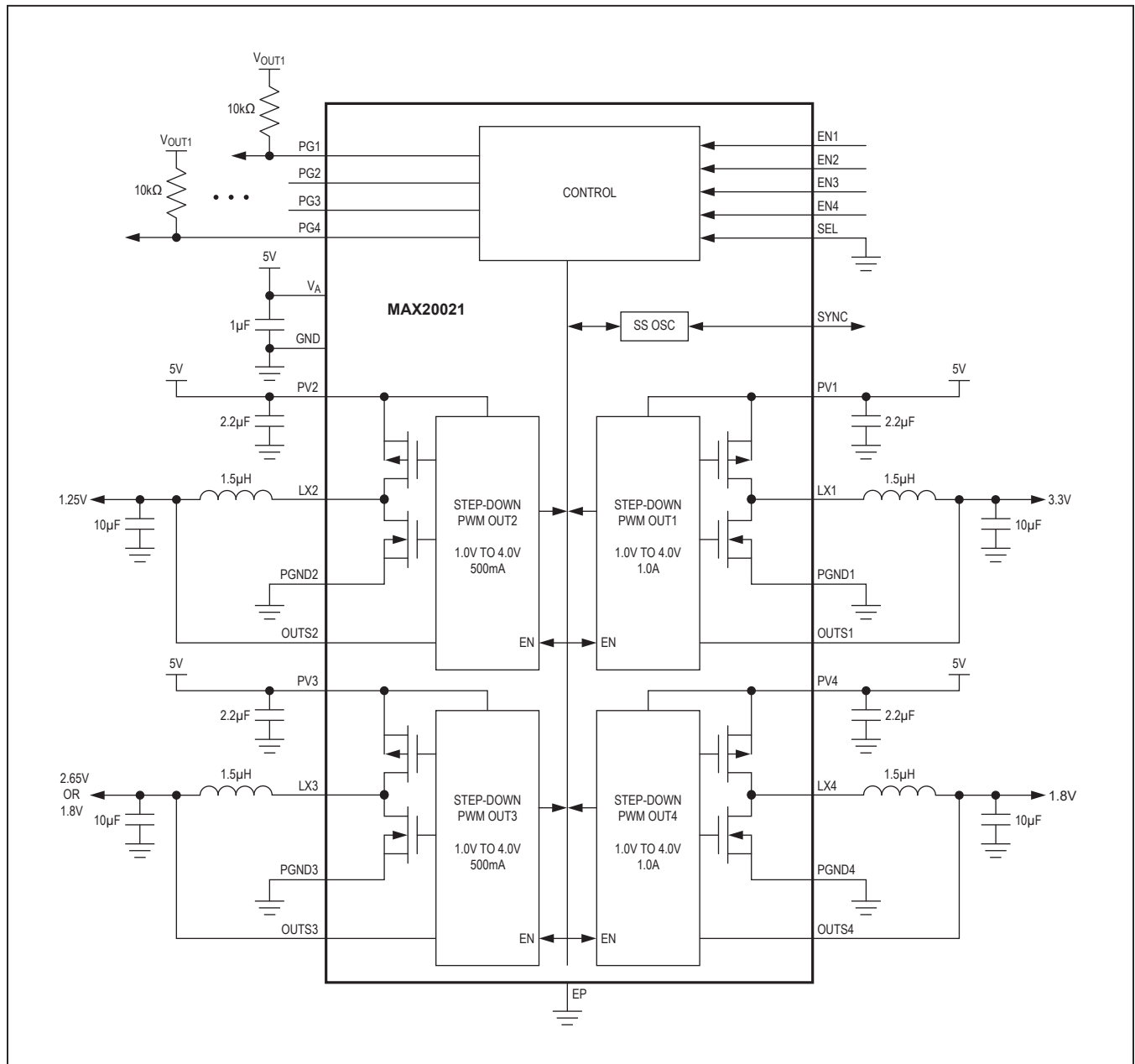


Figure 5. Adjustable Output-Voltage Configuration

- 3) Keep the power traces and load connections short. This practice is essential for high efficiency. Use thick copper PCBs (2oz vs. 1oz) to enhance full-load efficiency.
- 4) Use a single ground plane to reduce the chance of ground potential differences. With a single ground plane, enough isolation between analog return signals and high-power signals must be maintained.

**Typical Operating Circuit**



# MAX20021/MAX20022

# Automotive Quad, Low-Voltage Step-Down DC-DC Converters

## Ordering Information

PART	FREQUENCY	TEMP RANGE	PIN-PACKAGE
MAX20021ATI_/V+	3.2MHz	-40°C to +125°C	28 TQFN-EP*
MAX20022ATI_/V+	2.2MHz	-40°C to +125°C	28 TQFN-EP*

**Note:** Insert the desired suffix letter (from the Selector Guide) into the blank area "\_" to indicate factory-selectable features. /V denotes an automotive qualified part that conforms to AEC-Q100.

+Denotes a lead(Pb)-free/RoHS-compliant package.

\*EP = Exposed pad.

## Selector Guide\*

PART	CURRENT CONFIGURATION				DC-DC1	DC-DC2	DC-DC3	DC-DC4	SPREAD SPECTRUM	FREQUENCY (MHz)	UVM	ACTIVE TIMEOUT PERIOD (CYCLES)
	CH1	CH2	CH3	CH4								
<b>MAX20021</b>												
MAX20021ATIA/V+	1.0A	0.5A	0.5A	1.0A	3.30	1.25	2.65/1.80	1.80	Disabled	3.2MHz	Enabled	20,480
MAX20021ATIB/V+	1.0A	0.5A	0.5A	1.0A	3.30	1.25	2.65/1.80	1.80	Enabled	3.2MHz	Enabled	20,480
MAX20021ATIC/V+	1.0A	0.5A	0.5A	1.0A	3.30	1.20	2.65/1.80	1.50	Disabled	3.2MHz	Enabled	20,480
MAX20021ATID/V+	1.0A	0.5A	0.5A	1.0A	3.30	1.20	2.65/1.80	1.80	Disabled	3.2MHz	Enabled	20,480
<b>MAX20022</b>												
MAX20022ATIA+	1.0A	1.0A	1.0A	1.0A	Adjustable	Adjustable	Adjustable	Adjustable	Disabled	2.2MHz	Disabled	256
MAX20022ATIA/V+	1.0A	1.0A	1.0A	1.0A	Adjustable	Adjustable	Adjustable	Adjustable	Disabled	2.2MHz	Disabled	256
MAX20022ATIB+	1.0A	1.0A	1.0A	1.0A	Adjustable	Adjustable	Adjustable	Adjustable	Enabled	2.2MHz	Disabled	256
MAX20022ATIB/V+	1.0A	1.0A	1.0A	1.0A	Adjustable	Adjustable	Adjustable	Adjustable	Enabled	2.2MHz	Disabled	256

\*Contact factory for options that are not included. Factory-selectable features include:

- DC-DC voltages in 100mV steps between 1.0V and 4.0V.
- Spread spectrum enabled or disabled.
- UVM enabled or disabled.
- Number of cycles in active timeout period
- Independent current limit for each channel up to 1A.

## Package Information

For the latest package outline information and land patterns (footprints), go to [www.maximintegrated.com/packages](http://www.maximintegrated.com/packages). Note that a "+", "#", or "-" in the package code indicates RoHS status only. Package drawings may show a different suffix character, but the drawing pertains to the package regardless of RoHS status.

PACKAGE TYPE	PACKAGE CODE	OUTLINE NO.	LAND PATTERN NO.
28 TQFN-EP	T2855+5	<a href="#">21-0140</a>	<a href="#">90-0025</a>

**Revision History**

REVISION NUMBER	REVISION DATE	DESCRIPTION	PAGES CHANGED
0	3/13	Initial release	—
1	4/13	Removed future product reference for the MAX20022	15
2	12/13	Added AEC-Q100 reference to <i>Ordering Information</i>	15
3	8/14	Added two new MAX20021 options to <i>Selector Guide</i>	15



Maxim cannot assume responsibility for use of any circuitry other than circuitry entirely embodied in a Maxim product. No circuit patent licenses are implied. Maxim reserves the right to change the circuitry and specifications without notice at any time. The parametric values (min and max limits) shown in the Electrical Characteristics table are guaranteed. Other parametric values quoted in this data sheet are provided for guidance.



Компания «Океан Электроники» предлагает заключение долгосрочных отношений при поставках импортных электронных компонентов на взаимовыгодных условиях!

Наши преимущества:

- Поставка оригинальных импортных электронных компонентов напрямую с производств Америки, Европы и Азии, а так же с крупнейших складов мира;
- Широкая линейка поставок активных и пассивных импортных электронных компонентов (более 30 млн. наименований);
- Поставка сложных, дефицитных, либо снятых с производства позиций;
- Оперативные сроки поставки под заказ (от 5 рабочих дней);
- Экспресс доставка в любую точку России;
- Помощь Конструкторского Отдела и консультации квалифицированных инженеров;
- Техническая поддержка проекта, помощь в подборе аналогов, поставка прототипов;
- Поставка электронных компонентов под контролем ВП;
- Система менеджмента качества сертифицирована по Международному стандарту ISO 9001;
- При необходимости вся продукция военного и аэрокосмического назначения проходит испытания и сертификацию в лаборатории (по согласованию с заказчиком);
- Поставка специализированных компонентов военного и аэрокосмического уровня качества (Xilinx, Altera, Analog Devices, Intersil, Interpoint, Microsemi, Actel, Aeroflex, Peregrine, VPT, Syfer, Eurofarad, Texas Instruments, MS Kennedy, Miteq, Cobham, E2V, MA-COM, Hittite, Mini-Circuits, General Dynamics и др.);

Компания «Океан Электроники» является официальным дистрибьютором и эксклюзивным представителем в России одного из крупнейших производителей разъемов военного и аэрокосмического назначения «JONHON», а так же официальным дистрибьютором и эксклюзивным представителем в России производителя высокотехнологичных и надежных решений для передачи СВЧ сигналов «FORSTAR».



## JONHON

«JONHON» (основан в 1970 г.)

Разъемы специального, военного и аэрокосмического назначения:

(Применяются в военной, авиационной, аэрокосмической, морской, железнодорожной, горно- и нефтедобывающей отраслях промышленности)

«FORSTAR» (основан в 1998 г.)

ВЧ соединители, коаксиальные кабели, кабельные сборки и микроволновые компоненты:

(Применяются в телекоммуникациях гражданского и специального назначения, в средствах связи, РЛС, а так же военной, авиационной и аэрокосмической отраслях промышленности).



Телефон: 8 (812) 309-75-97 (многоканальный)

Факс: 8 (812) 320-03-32

Электронная почта: [ocean@oceanchips.ru](mailto:ocean@oceanchips.ru)

Web: <http://oceanchips.ru/>

Адрес: 198099, г. Санкт-Петербург, ул. Калинина, д. 2, корп. 4, лит. А