

High Efficiency, Single-Output Synchronous Buck Converter with Very Low DCR Inductor

DESCRIPTION

Demonstration circuit 2142A is a high efficiency, high density, 4-phase synchronous buck converter with a 4.5V to 14V input range. It can supply 120A maximum load current at a 1.0V output. This demo board incorporates the LTC3875EUJ and LTC3874IUFD controllers.

The **LTC[®]3875** is a feature-rich dual phase synchronous buck controller with very low DCR current sensing capability, on-chip drivers and remote output voltage sensing. The LTC3874 is a compact dual phase synchronous buck phase extender with very low DCR current sensing capability, on-chip drivers and immediate response to master IC's fault.

This board is setup with 0.32mΩ DCR inductor. The temperature compensation function guarantees accurate current limit over a wide temperature range with DCR sensing. The DC2142 can provide high efficiency, high power density and compact solutions for telecom and datacom systems,

industrial and medical instruments, DC power distribution systems and computer systems. The LTC3875 is available in a 40-pin 6mm × 6mm QFN package. The LTC3874 is available in a 28-lead (4mm × 5mm) QFN Package.

To shut down the converter, set the RUN pin voltage below 1.4V (SW1: OFF). Use the JP1 jumper to select burst mode, pulse skipping mode or forced continuous mode operation at light load. Switching frequency is preset at about 400kHz, and it can be easily modified from 250kHz to 770kHz. An on-board dynamic circuit is also available for transient test. The LTC3875 and LTC3874 data sheets give a complete description of these parts, and must be read in conjunction with this DC2142A quick start guide

Design files for this circuit board are available at <http://www.linear.com/demo/DC2142A>

LT, LT, LTC, LTM, Linear Technology and the Linear logo are registered trademarks of Linear Technology Corporation. All other trademarks are the property of their respective owners.

PERFORMANCE SUMMARY Specifications are at T_A = 25°C

PARAMETER	CONDITIONS	VALUE
Input Voltage Range		4.5V to 14V
Output Voltage, V _{OUT}	V _{IN} = 4.5V to 14V, I _{OUT1} = 0A to 120A	1.0V ±2%
Maximum Output Current, I _{OUT}	V _{IN} = 4.5V to 14V, V _{OUT1} = 1.0V	120A
Typical Efficiency, V _{OUT}	V _{IN} = 12V, V _{OUT1} = 1.0 V, I _{OUT1} = 120A	87.4%
Typical Switching Frequency		400kHz

QUICK START PROCEDURE

Demonstration circuit 2142A is easy to set up to evaluate the performance of the LTC3875EUJ and LTC3874IUF. Refer to Figure 1 for the proper measurement equipment setup and follow the procedure below:

1. With power off, connect the input power supply to V_{IN} (4.5V to 14V) and GND (input return).
2. Connect the 1.0V output load between V_{OUT} and GND (Initial load: no-load).
3. Connect the DVMs to the input and outputs. Set default jumper position: JP1: CCM; SW1: ON.
4. Turn on the input power supply and check for the proper output voltages. V_{OUT} should be $1.0V \pm 2\%$.

5. Once the proper output voltages are established, adjust the loads within the operating range and observe the output voltage regulation, ripple voltage and other parameters.

Note: When measuring the output or input voltage ripple, do not use the long ground lead on the oscilloscope probe. See Figure 2 for the proper scope probe technique. Short, stiff leads need to be soldered to the (+) and (-) terminals of an output capacitor. The probe's ground ring needs to touch the (-) lead and the probe tip needs to touch the (+) lead.

QUICK START PROCEDURE

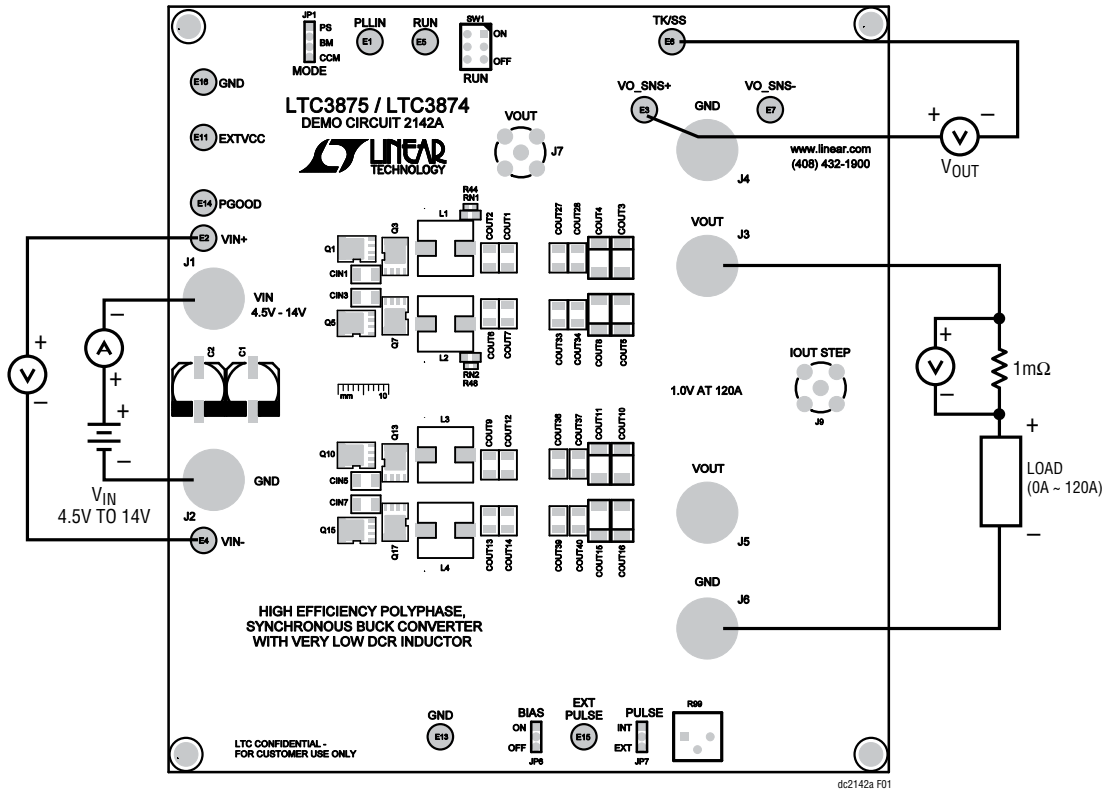


Figure 1. Proper Measurement Equipment Setup

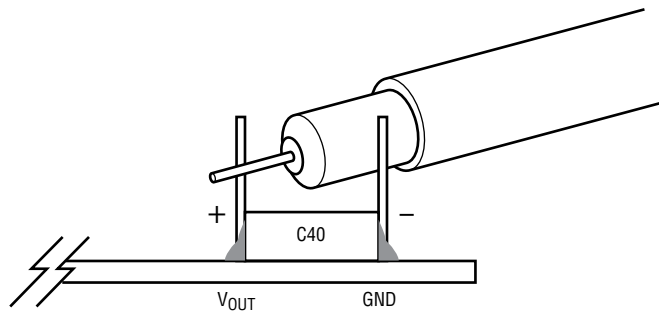


Figure 2. Measuring Output Voltage Ripple

QUICK START PROCEDURE

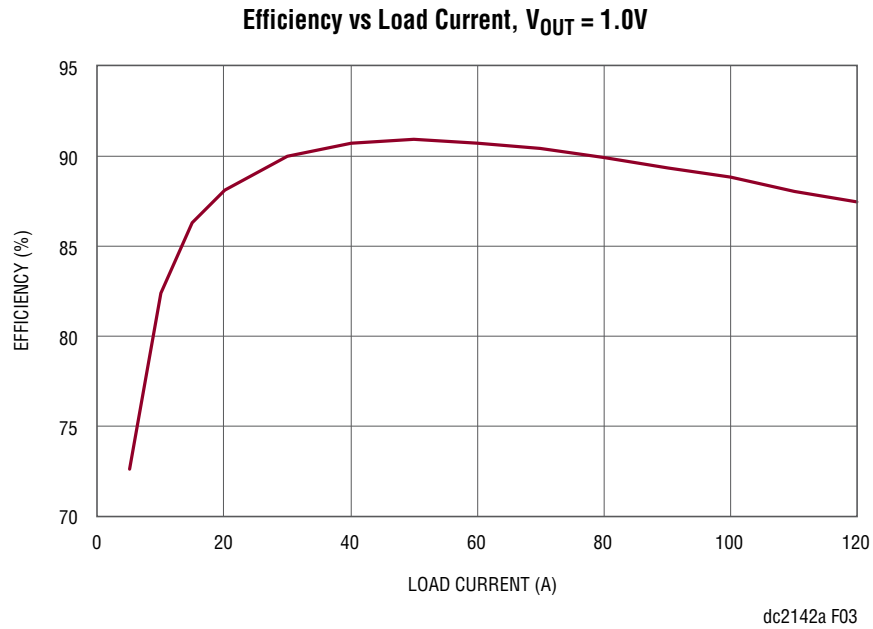


Figure 3. Efficiency vs Load Current at $V_{IN} = 12V$, $V_{OUT} = 1.0V$, $f_{SW} = 400kHz$

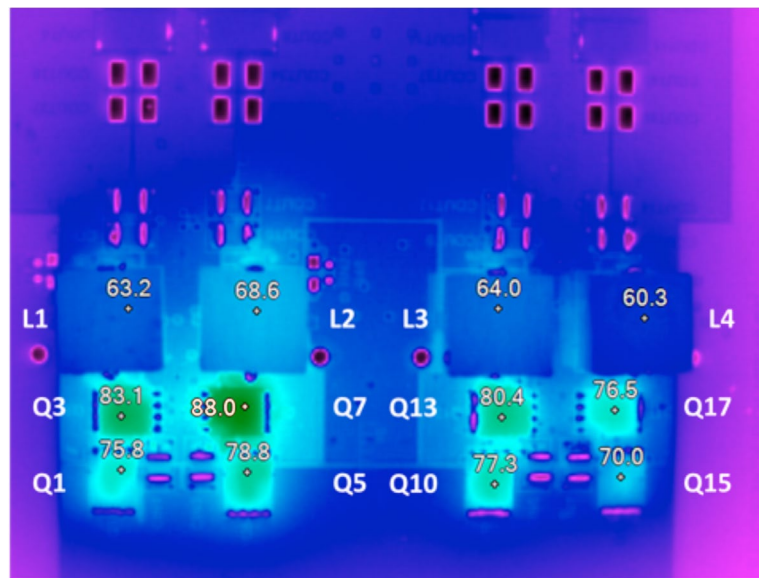


Figure 4. Thermal Performance at $V_{IN} = 12V$, $V_{OUT} = 1.0V$, $I_{OUT} = 120A$, 200PFM Forced Air Flow

QUICK START PROCEDURE

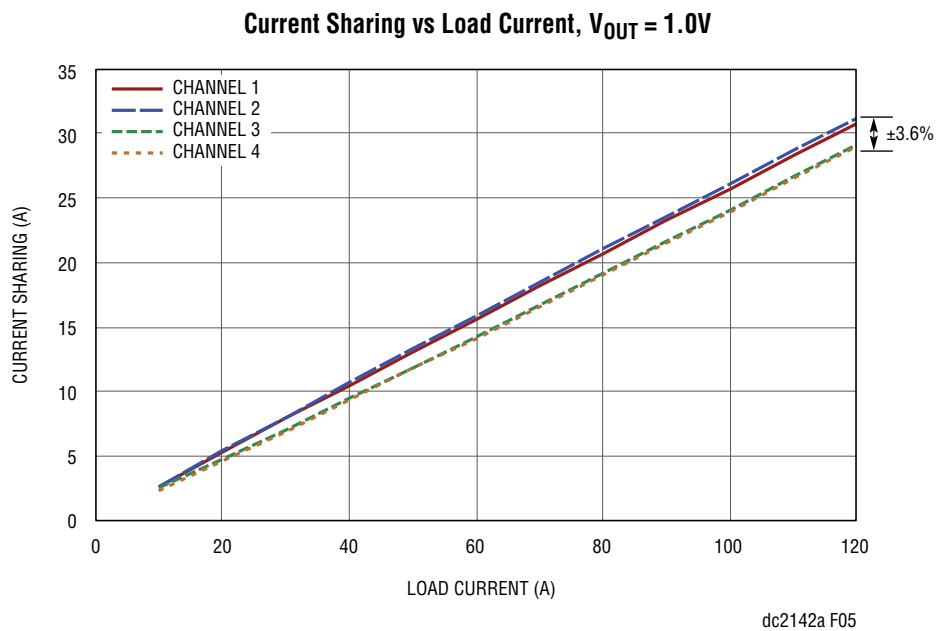


Figure 5. Current Sharing vs Load Current at $V_{IN} = 12V$, $V_{OUT} = 1.0V$, $f_{SW} = 400kHz$

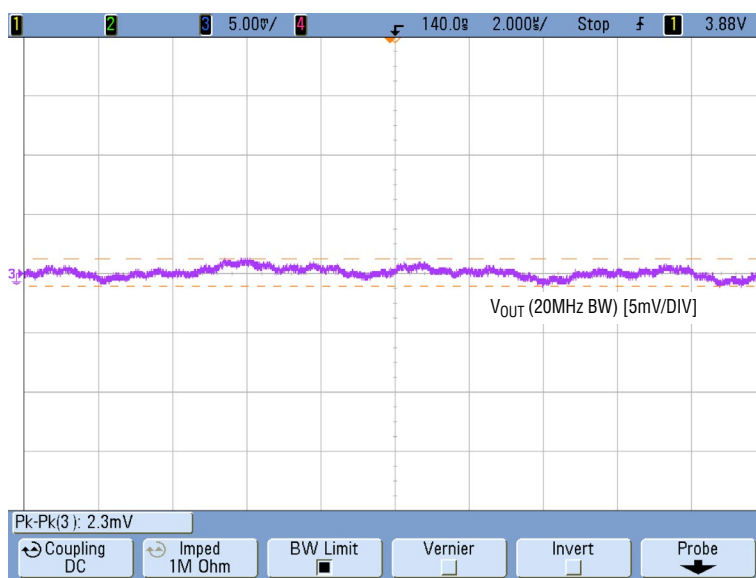


Figure 6. Output Voltage Ripple at $V_{IN} = 12V$, $V_{OUT} = 1.0V$, $I_{OUT} = 120A$

QUICK START PROCEDURE

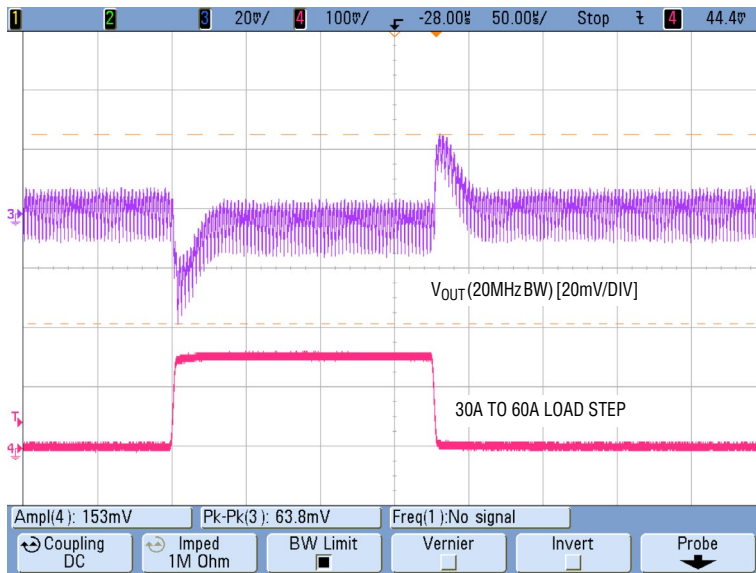


Figure 7. Transient Performance at $V_{IN} = 12V$, $V_{OUT} = 1.0V$, $I_{OUT} = 30A \sim 60A$

PARTS LIST

ITEM	QTY	REFERENCE	PART DESCRIPTION	MANUFACTURER/PART NUMBER
Required Circuit Components				
1	8	CIN1, CIN2, CIN3, CIN4, CIN5, CIN6, CIN7, CIN8	CAP, 1210, 10 μ F, 20%, 35V X5R	AVX 1210DD106MAT2A
2	14	COUT1, COUT2, COUT6, COUT7, COUT9, COUT12, COUT13, COUT14, COUT19, COUT20, COUT24, COUT25, C39, C40	CAP, 1210, 100 μ F, 20%, 6.3V X5R	TDK C3225X5R0J107M
3	12	COUT3, COUT4, COUT5, COUT8, COUT10, COUT11, COUT15, COUT16, COUT17, COUT18, COUT22, COUT23	CAP, 7343, 330 μ F, 20%, 6.3V POSCAP	SANYO 6TPF330M9L
4	3	C3, C25, C29	CAP, 0603, 1 μ F, 20%, 25V X5R	AVX 06033D105KAT2A
5	2	C1, C2	CAP, 270 μ F, 20%, 16V OSCON	PANASONIC 16SVPC270M
6	4	C4, C30, C31, C46	CAP, 0603, 4.7 μ F, 10%, 10V X5R	AVX 0603ZD475KAT2A
7	1	C5	CAP, 0603, 10nF, 10%, 16V X7R	AVX 0603YC103KAT2A
8	5	C7, C8, C18, C32, C36,	CAP, 0603, 0.1 μ F, 10%, 25V X5R	AVX 06033C104KAT2A
9	6	C10, C12, C20, C24, C33, C35	CAP, 0603, 220nF, 10%, 25V X7R	TDK C1608X7R1E224K
10	1	C15	CAP, 0603, 220pF, 5%, 50V C0G	AVX 06035A221JAT2A
11	1	C16	CAP, 0603, 2.2nF, 5%, 50V C0G	MURATA GRM1885C1H222JA01D
12	1	C34	CAP, 0603, 100pF, 10%, 16V X7R	AVX 0603YC101KAT2A
13	1	D1, D2, D3, D4	DIODE, SCHOTTKY 30V, 100mA	CENTRAL SEMI CMDSH-3-TR
14	4	L1, L2, L3, L4	IND, 0.25 μ H	WÜRTH ELEKTRONIK 744301025

PARTS LIST

ITEM	QTY	REFERENCE	PART DESCRIPTION	MANUFACTURER/PART NUMBER
15	4	Q1, Q5, Q10, Q15	XSTR, POWER MOSFET	INFINEON BSC050NE2LS
16	4	Q3, Q7, Q13, Q17	XSTR, POWER MOSFET	INFINEON BSC010NE2LSI
17	1	Q19	XSTR, N-CHANNEL DMOS FET	FAIRCHILD 2N7002A
18	2	Q20, Q21	XSTR, MOSFET, N-CHANNEL 30V	VISHAY SUD50N04-8M8P-4GE3
19	1	R1	RES, 0603, 20kΩ, 5%, 1/10W	VISHAY CRCW060320K0JNEA
20	1	R2	RES, 0603, 3.01kΩ, 1%, 1/10W	VISHAY CRCW06033K01FKEA
21	1	R3	RES, 0603, 1kΩ, 5%, 1/10W	VISHAY CRCW06031K00JNEA
22	3	R4, R51, R85	RES, 0603, 2.2Ω, 5%, 1/10W	VISHAY CRCW06032R20JNEA
23	2	R6, R14	RES, 0603, 10Ω, 1%, 1/10W	VISHAY CRCW060310R0FKEA
24	4	R8, R28, R58, R66	RES, 0603, 715Ω, 1%, 1/10W	VISHAY CRCW0603715RFEKA
25	2	R9, R27	RES, 0603, 3.57kΩ, 1%, 1/10W	VISHAY CRCW06033K57FKEA
26	13	R10, R13, R24, R50, R53, R54, R56, R57, R59, R60, R61, R65, R67	RES, 0603, 0Ω, JUMPER	VISHAY CRCW06030000Z0EA
27	1	R12	RES, 0603, 13.3kΩ, 1%, 1/10W	VISHAY CRCW060313K3FKEA
28	1	R17	RES, 0603, 20kΩ, 1%, 1/10W	VISHAY CRCW060320K0FKEA
29	1	R21	RES, 0603, 4.02kΩ, 1%, 1/10W	VISHAY CRCW06034K02FKEA
30	3	R33, R42, R69	RES, 0603, 100kΩ, 1%, 1/10W	VISHAY CRCW0603100KFKEA
31	1	R45	RES, 0603, 5kΩ, 5%, 1/10W	VISHAY CRCW06035K00JNED
32	2	R46, R47	RES, 0603, 10kΩ, 1%, 1/10W	VISHAY CRCW060310K0FKEA
33	1	R63	RES, 0603, 75kΩ 5% 1/10W	VISHAY CRCW060375K0JNEA
34	1	R102	RES, 0603, 237kΩ, 1%, 1/10W	VISHAY CRCW0603237KFKEA
35	1	SW1	SWITCH, SUBMINATURE SLIDE	C&K JS202011CQN
36	1	U1	IC, DUAL, 2-PHASE, SYNCHRONOUS REGULATORS	LINEAR TECH. LTC3875EUJ#PBF-ES
37	1	U2	IC, POLYPHASE STEP-DOWN SYNCHRONOUS SLAVE CONTROLLER	LINEAR TECH. LTC3874IUF#PBF

Additional Demo Board Circuit Components

1	0	COUT27, COUT28, COUT29, COUT30, COUT31, COUT32, COUT33, COUT34, COUT35, COUT36, COUT37, COUT38, COUT39, COUT40, COUT41, COUT42, COUT43, COUT44, COUT45, COUT46	CAP, 1210 OPTION	OPTION
2	0	C9, C11, C26, C27, C28	CAP, 0603 OPTION	OPTION
3	4	C43, C44, C47, COUT21,	CAP, 0603, 1μF, 20%, 25V X5R	AVX 06033D105KAT2A
4	1	C37	CAP, 0805, 10μF, 10%, 16V X5R	MURATA GRM21BR61C106KE15L
5	1	C38	CAP, 0805, 22μF, 10%, 10V X5R	TDK C2012X5R1A226K
6	1	C42	CAP, 0603, 150pF, 5%, 50V NPO	AVX 06035A151JAT2A
7	2	C41, C45	CAP, 0603, 0.1μF, 10%, 25V X5R	AVX 06033C104KAT2A
8	1	C48	CAP, 0603, 22pF, 2%, 50V C0G	MURATA GRM1885C1H220GA01D
9	1	D5	DIODE, SCHOTTKY 30V, 100mA	CENTRAL SEMI CMDSH-3-TR
10	1	L5	IND, 3.3μH	WÜRTH ELEKTRONIK 744043003

DEMO MANUAL DC2142A

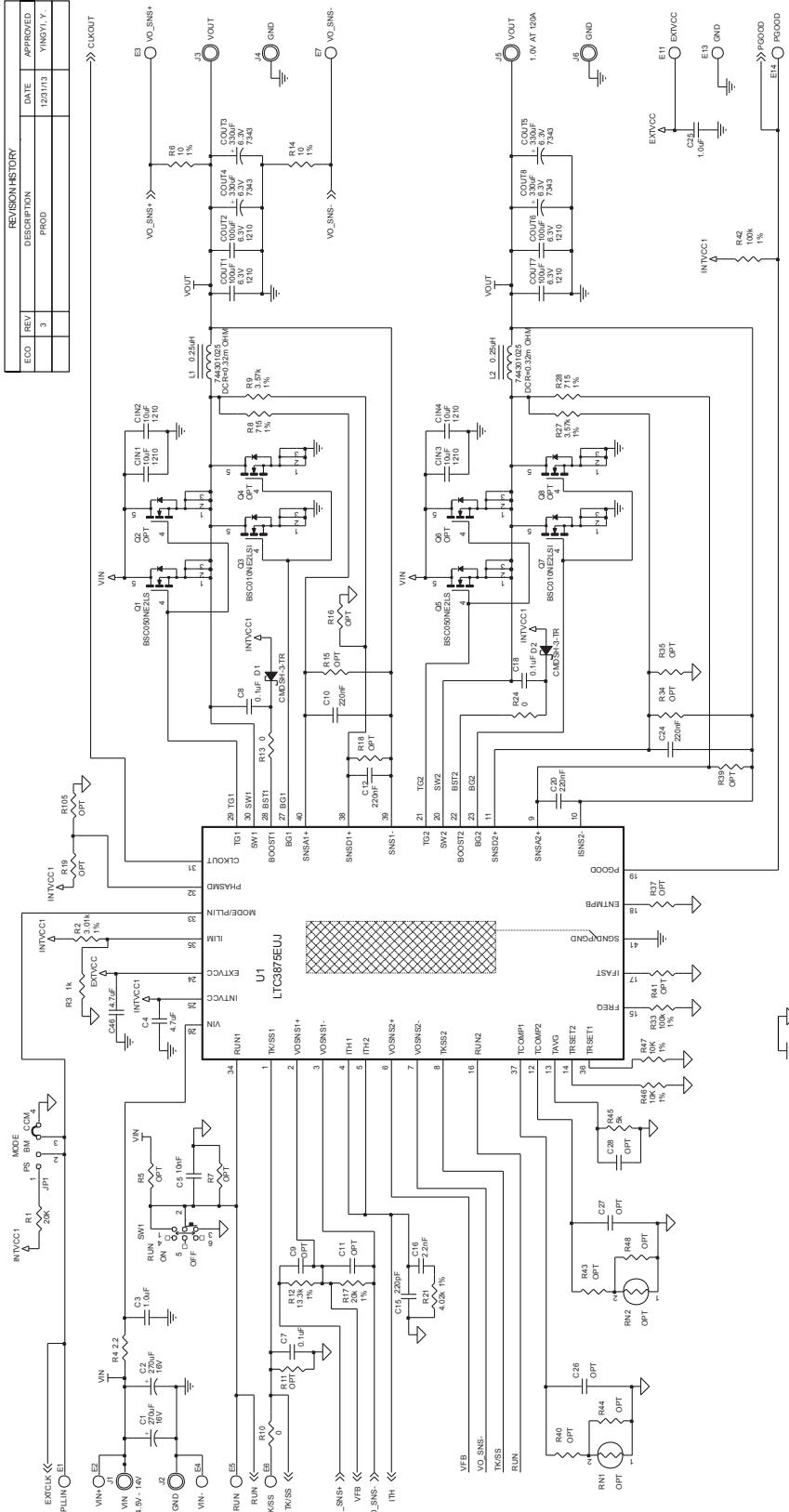
PARTS LIST

ITEM	QTY	REFERENCE	PART DESCRIPTION	MANUFACTURER/PART NUMBER
11	0	Q2, Q4, Q6, Q8, Q11, Q14, Q16, Q18	XSTR, POWER MOSFET OPTION	OPTION
12	2	R88, R92	RES, 0603, 20k Ω , 5% 1/10W	VISHAY CRCW060320K0JNEA
13	2	R68, R87	RES, 0603, 0 Ω , JUMPER	VISHAY CRCW06030000Z0EA
14	0	RN1, RN2	THERMISTOR, OPTION	OPTION
15	0	R5, R7, R11, R15, R16, R18, R19, R34, R35, R37, R39, R40, R41, R43, R44, R48, R49, R52, R55, R62, R64, R70, R76, R101, R104, R105	RES, 0603 OPTION	OPTION
16	2	R77, R94	RES, 0603, 10k Ω , 1% 1/10W	VISHAY CRCW060310K0FKEA
17	1	R80	RES, 0603, 187k Ω , 1% 1/10W	VISHAY CRCW0603187KFKEA
18	1	R83	RES, 0603, 23.2k Ω , 1% 1/10W	VISHAY CRCW060323K2FKEA
19	1	R89	RES, 0603, 3.3 Ω , 1%, 1/10W	VISHAY CRCW06033R30FNEA
20	1	R90	RES, 0603, 154k Ω , 1% 1/10W	VISHAY CRCW0603154KFKEA
21	1	R91	RES, 0603, 1M Ω , 5% 1/10W	VISHAY CRCW06031M00JNEA
22	1	R93	RES, 0603, 681k Ω , 1% 1/10W	VISHAY CRCW0603681KFEA
23	2	R95, R100	RES, 0603, 301 Ω , 1% 1/10W	VISHAY CRCW0603301RFKEA
24	1	R96	RES, 0603, 82.5 Ω , 5% 1/10W	VISHAY CRCW060382R5FKEA
25	2	R97, R98	RES, 2512, 0.01 Ω , 1% 1W	VISHAY WSL2512R0100FEA
26	1	R99	RES, VARIABLE 5k	BOURNS 3386P-1-502-LF
27	1	UD1	IC, OSCILLATOR WITH SPREAD SPECTRUM MODULATION	LINEAR TECH. LTC6908S6-1#PBF
28	1	U3	IC, 17V, 1A, SYNCHRONOUS STEP-DOWN REGULATOR	LINEAR TECH. LTC3621EDCB-2#PBF
29	1	U4	IC, VOLTAGE-CONTROLLED PULSE WIDTH MODULATOR	LINEAR TECH. LTC6992IS6-1
30	1	U5	IC, SINGLE OP AMP	LINEAR TECH. LT1803IS5

Hardware: For Demo Board Only

1	12	E1, E2, E3, E4, E5, E6, E7, E11, E13, E14, E15, E16	TURRET	MILL MAX 2501-2-00-80-00-00-07-0
2	1	JP1	HEADER, 4-PIN	WURTH 620 004 111 21
3	2	JP6, JP7	HEADER, SINGLE ROW 3-PIN	WURTH 620 003 111 21
4	6	J1, J2, J3, J4, J5, J6	STUD, TEST PIN	PEM KFH-032-10
5	2	J7, J9	CONN, BNC, 5-PINS	CONNEX 112404
6	6		LUG RING, #10	KEYSTONE 8205
7	4	MH1, MH2, MH3, MH4	STANDOFF, SNAP ON	KEYSTONE 8834
8	12		NUT, BRASS 10-32	ANY #10-32
9	6		WASHER, #10 TIN PLATED BRASS	ANY #10 EXT BZ TN
10	3	JP1, JP6, JP7	SHUNT	WURTH 608 002 134 21

SCHEMATIC DIAGRAM



REVISION HISTORY		
ECO	REV	DESCRIPTION
	3	PHOD
		DATE
		12/01/13
		APPROVED
		YINQI, Y.

CUSTOMER NOTICE

LINER TECHNOLOGY MAKES NO WARRANTY, REPRESENTATION OR CONTRACT THAT NEEDS CUSTOMER-SUPPLIED SPECIFICATIONS. HOWEVER, IT REMAINS THE CUSTOMER'S RESPONSIBILITY TO VERIFY PROPER AND RELIABLE OPERATION IN THE ACTUAL APPLICATION. COMPONENT SUBSTITUTION AND PRINTED CIRCUIT BOARD MANUFACTURING VARIATIONS MAY AFFECT PERFORMANCE OR RELIABILITY. CONTACT LINER TECHNOLOGY APPLICATION ENGINEERING FOR ASSISTANCE.

THIS CIRCUIT IS PROPRIETARY TO LINER TECHNOLOGY AND SUPPLIED FOR USE WITH LINER TECHNOLOGY PARTS.

APPROVALS

DESIGNER: [Signature]

DATE: [Date]

SCALE: NONE

1600 McCarthy Blvd.
Milpitas, CA 95035
Tel: 408-253-1600
Fax: 408-253-6507
www.liner.com

LINER TECHNOLOGY
HIGH EFFICIENCY POLYPHASE SYNCHRONOUS
BUCK CONVERTER WITH VERY LOW DCR INDUCTOR

IC NO. **LTC3875EUU / LTC3874EUFD**
REV. **3**

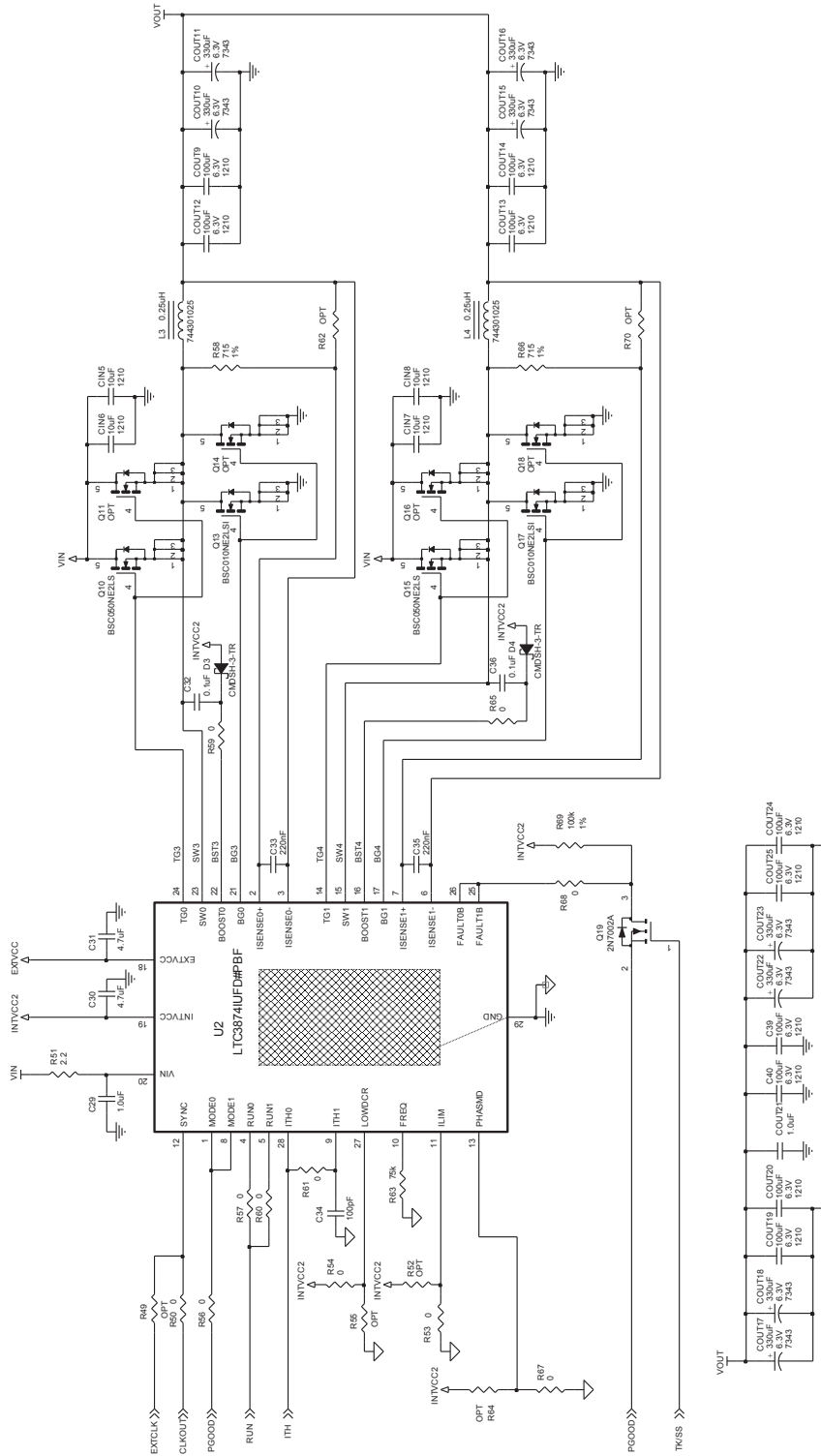
DEMO CIRCUIT 2142A

DATE: Tuesday, December 31, 2013 SHEET 1 OF 3



DEMO MANUAL DC2142A

SCHEMATIC DIAGRAM

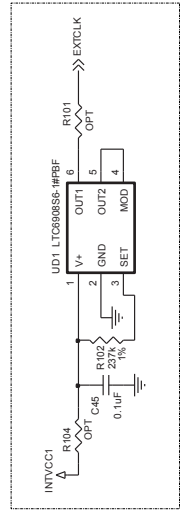
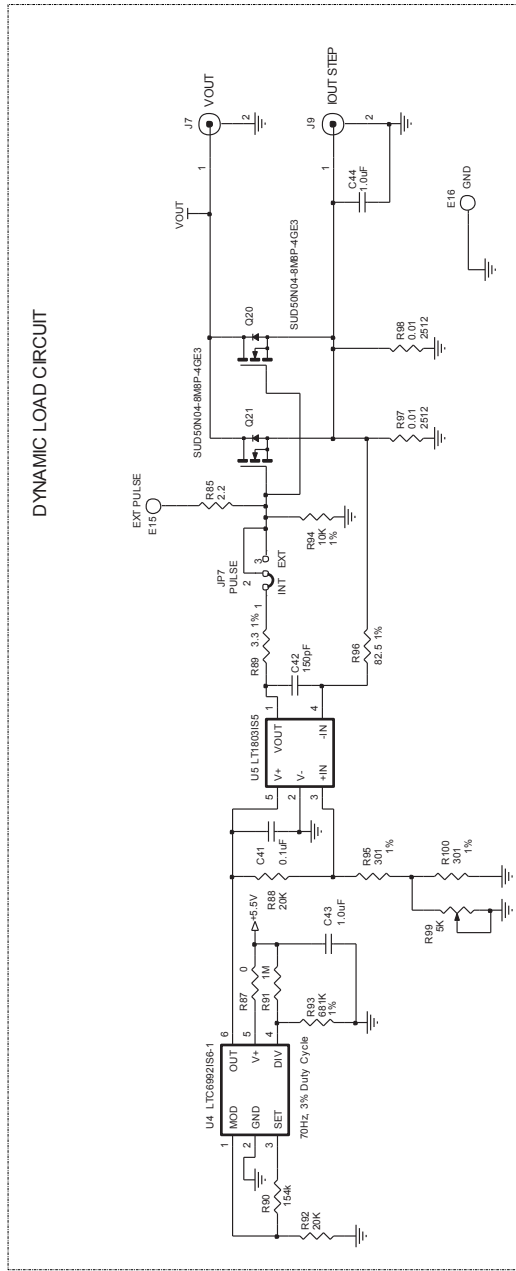
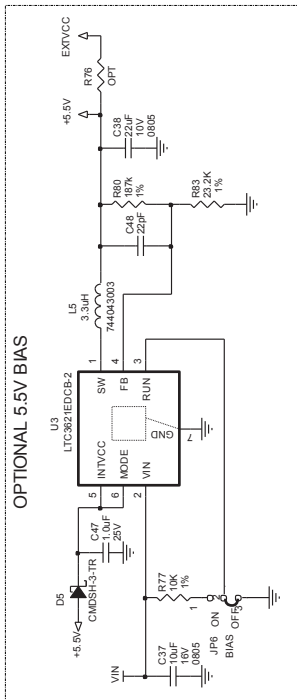
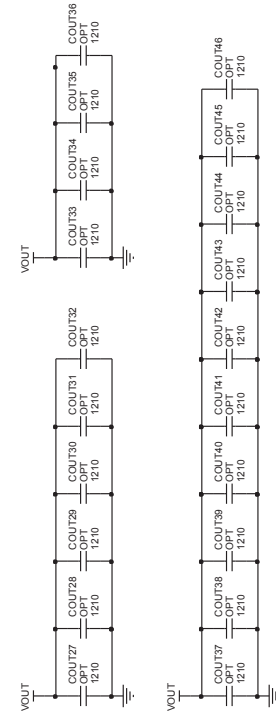


CUSTOMER NOTICE LINEAR TECHNOLOGY HAS MADE A BEST EFFORT TO DESIGN A CIRCUIT THAT MEETS CUSTOMER-SUPPLIED SPECIFICATIONS. HOWEVER, CUSTOMER-SUPPLIED SPECIFICATIONS MAY VARY FROM THE ACTUAL PARTS AND THEREFORE THE ACTUAL APPLICATION, COMPONENT SUBSTITUTION AND PRINTED CIRCUIT BOARD LAYOUT MAY SIGNIFICANTLY AFFECT CIRCUIT PERFORMANCE OR RELIABILITY. CONTACT LINEAR TECHNOLOGY APPLICATIONS ENGINEERING FOR ASSISTANCE. THIS CIRCUIT IS PROPRIETARY TO LINEAR TECHNOLOGY AND SUPPLIED FOR USE WITH LINEAR TECHNOLOGY PARTS.	
APPROVALS PCB DES: _____ APPR: # 5248741	
TITLE: SCHEMATIC HIGH EFFICIENCY POLYPHASE, SYNCHRONOUS BUCK CONVERTER WITH VERY LOW DCR INDUCTOR	
SIZE: I/P NO. LTC3875EUJ / LTC3874EUFD N/A DEMO CIRCUIT 2142A	REV. 2 DATE: Wednesday, March 05, 2014
SCALE: NONE	SHEET 2 OF 3

1630 McCarthy Blvd.
 Milpitas, CA 95035
 Phone: (408)432-1900
 Fax: (408)432-1599
 www.linear.com
 L10 Confidential-For Customer Use Only

CUSTOMER NOTICE
 LINEAR TECHNOLOGY HAS MADE A BEST EFFORT TO DESIGN A CIRCUIT THAT MEETS CUSTOMER-SUPPLIED SPECIFICATIONS. HOWEVER, CUSTOMER-SUPPLIED SPECIFICATIONS MAY VARY FROM THE ACTUAL PARTS AND THEREFORE THE ACTUAL APPLICATION, COMPONENT SUBSTITUTION AND PRINTED CIRCUIT BOARD LAYOUT MAY SIGNIFICANTLY AFFECT CIRCUIT PERFORMANCE OR RELIABILITY. CONTACT LINEAR TECHNOLOGY APPLICATIONS ENGINEERING FOR ASSISTANCE.
 THIS CIRCUIT IS PROPRIETARY TO LINEAR TECHNOLOGY AND SUPPLIED FOR USE WITH LINEAR TECHNOLOGY PARTS.

SCHEMATIC DIAGRAM



CUSTOMER NOTICE		APPROVALS	
LINEAR TECHNOLOGY HAS MADE A BEST EFFORT TO DESIGN A CIRCUIT THAT MEETS CUSTOMER-SUPPLIED SPECIFICATIONS; HOWEVER, IT REMAINS THE CUSTOMER'S RESPONSIBILITY TO VERIFY PROPER AND RELIABLE OPERATION IN THE ACTUAL APPLICATION. COMPONENT SUBSTITUTION AND PRINTED CIRCUIT BOARD LAYOUT MAY SIGNIFICANTLY AFFECT CIRCUIT PERFORMANCE OR RELIABILITY. CONTACT LINEAR TECHNOLOGY APPLICATIONS ENGINEERING FOR ASSISTANCE.		PCB DES:	DATE:
THIS CIRCUIT IS PROPRIETARY TO LINEAR TECHNOLOGY AND SUPPLIED FOR USE WITH LINEAR TECHNOLOGY PARTS.		APP'ING: # 5% 8" #1	SCALE: NONE
		REV.:	SHEET 3 OF 3
		SIZE:	
		T/C NO.:	
		IC NO.:	
		REV.:	
		DATE:	
		TITLE: SCHEMATIC	
		BUCK CONVERTER WITH VERY LOW DCR INDUCTOR	
		HIGH EFFICIENCY POLYPHASE - SYNCHRONOUS	
		LTC Confidential-For Customer Use Only	
		www.linear.com	
		1600 McCarthy Blvd.	
		Needham Heights, MA 01946	
		Phone: (617) 462-1000	
		Fax: (617) 462-1001	
		www.linear.com	

DEMO MANUAL DC2142A

DEMONSTRATION BOARD IMPORTANT NOTICE

Linear Technology Corporation (LTC) provides the enclosed product(s) under the following **AS IS** conditions:

This demonstration board (DEMO BOARD) kit being sold or provided by Linear Technology is intended for use for **ENGINEERING DEVELOPMENT OR EVALUATION PURPOSES ONLY** and is not provided by LTC for commercial use. As such, the DEMO BOARD herein may not be complete in terms of required design-, marketing-, and/or manufacturing-related protective considerations, including but not limited to product safety measures typically found in finished commercial goods. As a prototype, this product does not fall within the scope of the European Union directive on electromagnetic compatibility and therefore may or may not meet the technical requirements of the directive, or other regulations.

If this evaluation kit does not meet the specifications recited in the DEMO BOARD manual the kit may be returned within 30 days from the date of delivery for a full refund. **THE FOREGOING WARRANTY IS THE EXCLUSIVE WARRANTY MADE BY THE SELLER TO BUYER AND IS IN LIEU OF ALL OTHER WARRANTIES, EXPRESSED, IMPLIED, OR STATUTORY, INCLUDING ANY WARRANTY OF MERCHANTABILITY OR FITNESS FOR ANY PARTICULAR PURPOSE. EXCEPT TO THE EXTENT OF THIS INDEMNITY, NEITHER PARTY SHALL BE LIABLE TO THE OTHER FOR ANY INDIRECT, SPECIAL, INCIDENTAL, OR CONSEQUENTIAL DAMAGES.**

The user assumes all responsibility and liability for proper and safe handling of the goods. Further, the user releases LTC from all claims arising from the handling or use of the goods. Due to the open construction of the product, it is the user's responsibility to take any and all appropriate precautions with regard to electrostatic discharge. Also be aware that the products herein may not be regulatory compliant or agency certified (FCC, UL, CE, etc.).

No License is granted under any patent right or other intellectual property whatsoever. **LTC assumes no liability for applications assistance, customer product design, software performance, or infringement of patents or any other intellectual property rights of any kind.**

LTC currently services a variety of customers for products around the world, and therefore this transaction **is not exclusive**.

Please read the DEMO BOARD manual prior to handling the product. Persons handling this product must have electronics training and observe good laboratory practice standards. **Common sense is encouraged.**

This notice contains important safety information about temperatures and voltages. For further safety concerns, please contact a LTC application engineer.

Mailing Address:

Linear Technology
1630 McCarthy Blvd.
Milpitas, CA 95035

Copyright © 2004, Linear Technology Corporation

Компания «Океан Электроники» предлагает заключение долгосрочных отношений при поставках импортных электронных компонентов на взаимовыгодных условиях!

Наши преимущества:

- Поставка оригинальных импортных электронных компонентов напрямую с производств Америки, Европы и Азии, а так же с крупнейших складов мира;
- Широкая линейка поставок активных и пассивных импортных электронных компонентов (более 30 млн. наименований);
- Поставка сложных, дефицитных, либо снятых с производства позиций;
- Оперативные сроки поставки под заказ (от 5 рабочих дней);
- Экспресс доставка в любую точку России;
- Помощь Конструкторского Отдела и консультации квалифицированных инженеров;
- Техническая поддержка проекта, помощь в подборе аналогов, поставка прототипов;
- Поставка электронных компонентов под контролем ВП;
- Система менеджмента качества сертифицирована по Международному стандарту ISO 9001;
- При необходимости вся продукция военного и аэрокосмического назначения проходит испытания и сертификацию в лаборатории (по согласованию с заказчиком);
- Поставка специализированных компонентов военного и аэрокосмического уровня качества (Xilinx, Altera, Analog Devices, Intersil, Interpoint, Microsemi, Actel, Aeroflex, Peregrine, VPT, Syfer, Eurofarad, Texas Instruments, MS Kennedy, Miteq, Cobham, E2V, MA-COM, Hittite, Mini-Circuits, General Dynamics и др.);

Компания «Океан Электроники» является официальным дистрибьютором и эксклюзивным представителем в России одного из крупнейших производителей разъемов военного и аэрокосмического назначения «JONHON», а так же официальным дистрибьютором и эксклюзивным представителем в России производителя высокотехнологичных и надежных решений для передачи СВЧ сигналов «FORSTAR».



JONHON

«JONHON» (основан в 1970 г.)

Разъемы специального, военного и аэрокосмического назначения:

(Применяются в военной, авиационной, аэрокосмической, морской, железнодорожной, горно- и нефтедобывающей отраслях промышленности)

«FORSTAR» (основан в 1998 г.)

ВЧ соединители, коаксиальные кабели, кабельные сборки и микроволновые компоненты:

(Применяются в телекоммуникациях гражданского и специального назначения, в средствах связи, РЛС, а так же военной, авиационной и аэрокосмической отраслях промышленности).



Телефон: 8 (812) 309-75-97 (многоканальный)

Факс: 8 (812) 320-03-32

Электронная почта: ocean@oceanchips.ru

Web: <http://oceanchips.ru/>

Адрес: 198099, г. Санкт-Петербург, ул. Калинина, д. 2, корп. 4, лит. А