



FCIconnect.com

Copyright FCI.

1

2

Configuration of customer Documents list

| P/N | Documents | No. | Title |
|----------------|-----------|----------|---|
| SLW__R/S-5C7LF | SPEC | SC-SLW04 | |
| | DWG | JSA96303 | CAT NO. TABLE FOR 1mm SPACING CONNECTOR |
| | | JSA96304 | 1mm SPACING CONNECTOR |
| | | JSA96305 | 1mm SPACING CONNECTOR |
| | Cable | JSA92759 | RECOMMENDED CABLE (CIC) |

| P/N | Documents | No. | Title |
|----------------|-----------|----------|---|
| SLW__R/S-5A7LF | SPEC | SC-SLW04 | |
| | DWG | JSA96309 | CAT NO. TABLE FOR 1mm SPACING CONNECTOR |
| | | JSA96310 | 1mm SPACING CONNECTOR |
| | | JSA96311 | 1mm SPACING CONNECTOR |
| | Cable | JSA92759 | RECOMMENDED CABLE (CIC) |

| | | | | | | | | | | | | | |
|-------------|----------------|-----|----------|--|------------------|---|--|------------|----------|---|--------------------------|---------|------|
| mat'l. code | | | | surface ISO 1302 <input checked="" type="checkbox"/> | | tolerance ISO 406 <input checked="" type="checkbox"/> ISO 1101 | | projection | | product family 58JF/TF | | CODE JP | |
| ltr | ecn no | dr | date | tolerances unless otherwise specified | | | | mm | | title 1mm SPACING CONNECTOR DOCUMENT LIST (Cat. No. SLW__R/S-5__LF) | | | |
| A | J05-0079 | H.T | '05/2/18 | angles | linear | scale \propto | | | | | | | |
| B | J06-0459 | H.T | 11/8/06 | dr | <i>K. Shouji</i> | 11/8/06 | | | dwg no | | sheet 1 of 1 | | size |
| | | | | enr | <i>K. Shouji</i> | 11/8/06 | | | JSA96342 | | | | A4 |
| | | | | chr | <i>R. Shouji</i> | 11/9/06 | | | type | | Product Customer Drawing | | |
| | | | | app | <i>S. Adachi</i> | 11/9/06 | | | | | | | |
| sheet index | revision sheet | B | 1 | | | | | | | | | Rev. B | |

form: A4

1

2

CAT. NO. & DIMENSIONS

| NO. OF CONTACTS (n) | CAT. NO. | | DIMENSIONS (NOTE1) | |
|---------------------|------------------|---------------|--------------------|---------|
| | RIGHT ANGLE TYPE | STRAIGHT TYPE | A ± 0.3 | B ± 0.3 |
| 4 | SLW 4 R-5C7LF | SLW 4 S-5C7LF | 10.2 | 5.2 |
| 5 | SLW 5 R-5C7LF | SLW 5 S-5C7LF | 11.2 | 6.2 |
| 6 | SLW 6 R-5C7LF | SLW 6 S-5C7LF | 12.2 | 7.2 |
| 7 | SLW 7 R-5C7LF | SLW 7 S-5C7LF | 13.2 | 8.2 |
| 8 | SLW 8 R-5C7LF | SLW 8 S-5C7LF | 14.2 | 9.2 |
| 9 | SLW 9 R-5C7LF | SLW 9 S-5C7LF | 15.2 | 10.2 |
| 10 | SLW 10 R-5C7LF | SLW 10S-5C7LF | 16.2 | 11.2 |
| 11 | SLW 11 R-5C7LF | SLW 11S-5C7LF | 17.2 | 12.2 |
| 12 | SLW 12 R-5C7LF | SLW 12S-5C7LF | 18.2 | 13.2 |
| 13 | SLW 13 R-5C7LF | SLW 13S-5C7LF | 19.2 | 14.2 |
| 14 | SLW 14 R-5C7LF | SLW 14S-5C7LF | 20.2 | 15.2 |
| 15 | SLW 15 R-5C7LF | SLW 15S-5C7LF | 21.2 | 16.2 |
| 16 | SLW 16 R-5C7LF | SLW 16S-5C7LF | 22.2 | 17.2 |
| 17 | SLW 17 R-5C7LF | SLW 17S-5C7LF | 23.2 | 18.2 |
| 18 | SLW 18 R-5C7LF | SLW 18S-5C7LF | 24.2 | 19.2 |
| 19 | SLW 19 R-5C7LF | SLW 19S-5C7LF | 25.2 | 20.2 |
| 20 | SLW 20 R-5C7LF | SLW 20S-5C7LF | 26.2 | 21.2 |
| 21 | SLW 21 R-5C7LF | SLW 21S-5C7LF | 27.2 | 22.2 |
| 22 | SLW 22 R-5C7LF | SLW 22S-5C7LF | 28.2 | 23.2 |
| 23 | SLW 23 R-5C7LF | SLW 23S-5C7LF | 29.2 | 24.2 |
| 24 | SLW 24 R-5C7LF | SLW 24S-5C7LF | 30.2 | 25.2 |
| 25 | SLW 25 R-5C7LF | SLW 25S-5C7LF | 31.2 | 26.2 |
| 26 | SLW 26 R-5C7LF | SLW 26S-5C7LF | 32.2 | 27.2 |
| 27 | SLW 27 R-5C7LF | SLW 27S-5C7LF | 33.2 | 28.2 |
| 28 | SLW 28 R-5C7LF | SLW 28S-5C7LF | 34.2 | 29.2 |
| 29 | SLW 29 R-5C7LF | SLW 29S-5C7LF | 35.2 | 30.2 |
| 30 | SLW 30 R-5C7LF | SLW 30S-5C7LF | 36.2 | 31.2 |

CAT. NO. SLW (n) R - 5C7 LF NOTE

SERIES NAME _____
 NO. OF CONTACTS _____
 R:RIGHT ANGLE TYPE
 S:STRAIGHT TYPE
 VARIATION _____
 LEAD FREE _____

1. SEE PART DRAWINGS FOR DIMENSIONS A,B.

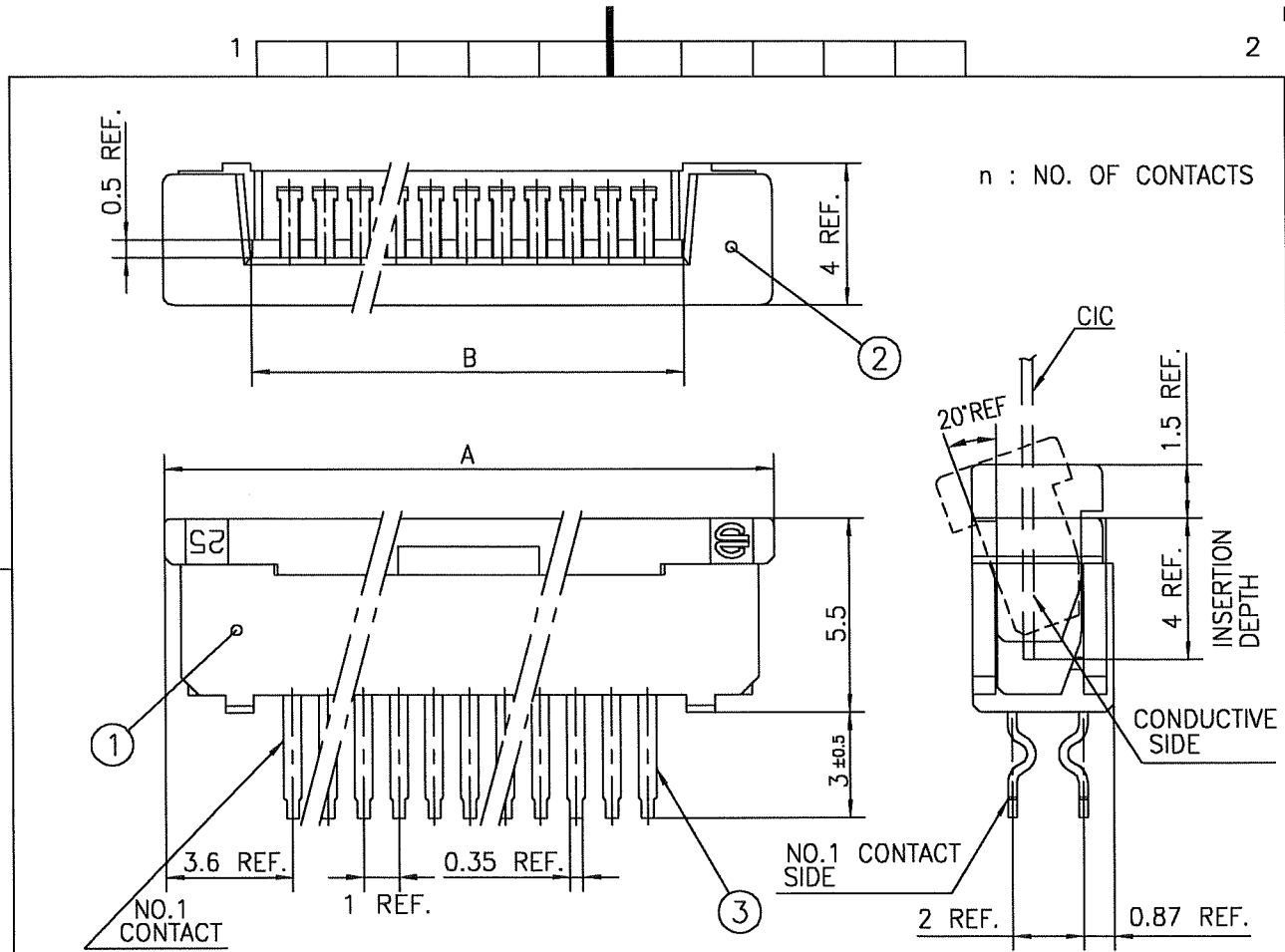
| | | | | | | | | |
|-------------|----------------|-----|----------|--|----------------------------|----------------|---|---------|
| mat'l. code | | | | surface ISO 1302 <input checked="" type="checkbox"/> | tolerance ISO 406 ISO 1101 | projection | product family 58JF/TF | CODE JP |
| ltr | ecn no | dr | date | tolerances unless otherwise specified | | mm | title | |
| A | J05-0079 | H.T | '05/2/15 | angles | linear | | CAT NO. TABLE FOR 1mm SPACING CONNECTOR (Cat. No. SLW__R/S-5C7LF) | |
| B | J06-0459 | H.T | 11/8/'06 | | | scale \times | dwg no sheet 1 of 1 size | |
| | | | | dr | <i>H. J. J. 11/8/06</i> | | JSA 96303 A4 | |
| | | | | enr | <i>H. J. J. 11/8/06</i> | | type Product Customer Drawing | |
| | | | | chr | <i>R. Shoye 11/9/06</i> | | | |
| | | | | app | <i>S. J. J. 11/9/06</i> | | | |
| sheet index | revision sheet | B 1 | | | | | | Rev. B |

SC-SLW04 JSA96304 96305 92759 form: A4



FCIconnect.com

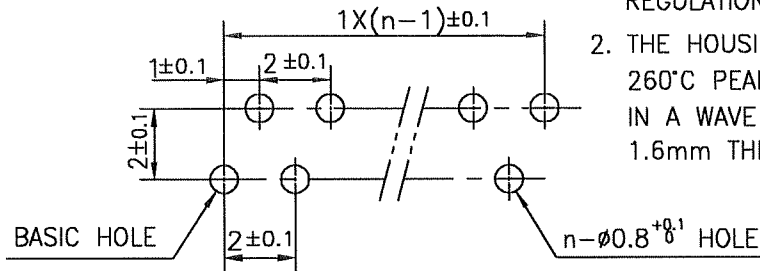
Copyright FCI.



| PT.NO. | PARTS NAME | MATERIAL | Q'TY | NOTE |
|--------|------------|--|------|--------------------------------------|
| 1 | HOUSING | NYLON RESIN GLASS REINFORCED (UL94V-0) | 1 | COLOR : BLACK |
| 2 | SLIDER | | 1 | COLOR : WHITE |
| 3 | CONTACT | PHOSPHOR BRONZE | n | PLATING : MATTE PURE TIN (LEAD FREE) |

RECOMMENDED PC BOARD
 THICKNESS : 0.8~1.6
 HOLE PATTERN (COMPONENT SIDE)

1. THIS PRODUCT MEETS EUROPEAN UNION DIRECTIVES AND OTHER COUNTRY REGULATIONS AS DESCRIBED IN GS-22-008
2. THE HOUSING WILL WITHSTAND EXPOSURE TO 260°C PEAK TEMPERATURE FOR 10 SECONDS IN A WAVE SOLDER APPLICATION WITH A 1.6mm THICK CIRCUIT BOARD.



| | | | | | | | | | | | | | |
|--------------------|----------|----------------|-----------|---------------------------------------|--|----------------------------|--|------------|--|---|--|-------------------|--|
| mat'l. code | | | | surface ISO 1302 ✓ | | tolerance ISO 406 ISO 1101 | | projection | | product family 58JF | | CODE JP | |
| ltr ecn no dr date | | | | tolerances unless otherwise specified | | | | mm | | title | | | |
| A | J05-0079 | H.T | '05/2/15 | angles | | linear | | scale X | | 1mm SPACING CONNECTOR (Cat. No. SLW__S-5C7LF) | | | |
| B | J05-0734 | H.T | 10/28/'05 | | | | | | | | | | |
| C | J06-0459 | H.T | 11/8/'06 | | | | | | | | | | |
| | | | | dr | | 11/2/06 | | FCJ | | dwg no | | sheet 1 of 1 size | |
| | | | | enrg | | 11/2/06 | | | | JSA 96304 | | A4 | |
| | | | | chr | | 11/9/06 | | | | | | | |
| | | | | appd | | 11/9/06 | | | | | | | |
| sheet index | | revision sheet | | C | | 1 | | | | | | Rev. C | |

SC-SLW04 JSA96303
 form: A4



n : NO. OF CONTACTS

| PT.NO. | PARTS NAME | MATERIAL | Q'TY | NOTE |
|--------|------------|------------------------------|------|--------------------------------------|
| 1 | HOUSING | NYLON RESIN GLASS REINFORCED | 1 | COLOR : BLACK |
| 2 | SLIDER | (UL94V-0) | 1 | COLOR : WHITE |
| 3 | CONTACT | PHOSPHOR BRONZE | n | PLATING : MATTE PURE TIN (LEAD FREE) |

RECOMMENDED PC BOARD
 THICKNESS : 0.8~1.6
 HOLE PATTERN (COMPONENT SIDE)



1. THIS PRODUCT MEETS EUROPEAN UNION DIRECTIVES AND OTHER COUNTRY REGULATIONS AS DESCRIBED IN GS-22-008
2. THE HOUSING WILL WITHSTAND EXPOSURE TO 260°C PEAK TEMPERATURE FOR 10 SECONDS IN A WAVE SOLDER APPLICATION WITH A 1.6mm THICK CIRCUIT BOARD.

| | | | | | | | | | | | | | |
|-------------|----------|----------------|-----------|---------------------------------------|---------|----------------------------|-----|------------|-----------|-------------------------|--------------------------|---------|------|
| mat'l. code | | | | surface ISO 1302 ✓ | | tolerance ISO 406 ISO 1101 | | projection | | product family 58TF | | CODE JP | |
| ltr | ecn no | dr | date | tolerances unless otherwise specified | | | | mm | | title | | | |
| A | J05-0079 | H.T | '05/2/15 | ±0.3 | | | | mm | | 1mm SPACING CONNECTOR | | | |
| B | J05-0734 | H.T | 10/28/'05 | angles | linear | | | mm | | (Cat. No. SLW__R-5C7LF) | | | |
| C | J06-0459 | H.T | 11/8/'06 | | | | | scale X | | | | | |
| | | | | dr | 11/8/06 | | FCJ | | dwg no | | sheet 1 of 1 | | size |
| | | | | enrg | 11/8/06 | | | | JSA 96305 | | | | A4 |
| | | | | chr | 11/9/06 | | | | type | | Product Customer Drawing | | |
| | | | | appd | 11/9/06 | | | | | | | | |
| sheet index | | revision sheet | | C | | | | | | | | Rev. C | |

SC-SLW04 JSA96303
form: A4

RECOMMENDED CABLE (CIC)



| PT. NO. | PARTS NAME | MATERIAL | THICKNESS (μm) | |
|---------|-----------------|---------------------------------|----------------|-----|
| 1 | BASE FILM | POLYESTER OR EQUAL | 75 | 25 |
| 2 | CONDUCTOR | CARBON PASTE OVER SILVER PASTE | 10 MIN. | |
| 3 | OVERLAY | POLYIMIDE OR POLYESTER OR EQUAL | — | |
| 4 | SUPPORTING TAPE | POLYESTER OR POLYIMIDE OR EQUAL | 188 | 250 |

NOTES

1. NO BURR AT EACH PORTION.
2. NO PEELING IN COMMON USE.
3. TOTAL THICKNESS LIMIT OF EACH MATERIAL (INCLUDING ADHESIVE AGENT) IS SPECIFIED.

| | | | | | | | | | | | | | |
|-------------|----------------|-----|---------|---------------------------------------|--------|----------------------------|--|-----------------|--|--|--|---------|--|
| mat'l. code | | | | surface ISO 1302 ✓ | | tolerance ISO 406 ISO 1101 | | projection | | product family 58JF/TF | | CODE JP | |
| ltr | ecn no | dr | date | tolerances unless otherwise specified | | | | | | title | | | |
| AA | J05-0079 | H.T | 2/18/05 | | | | | mm | | RECOMMENDED CABLE (Cat. No. SLW__R/S-5__) | | | |
| AB | J06-0459 | H.T | 11/8/06 | angles | linear | | | scale \propto | | dwg no sheet 1 of 1 size | | | |
| | | | | dr | | | | | | JSA 92759 A4 | | | |
| | | | | enr | | | | | | type Product Customer Drawing | | | |
| | | | | chr | | | | | | | | | |
| | | | | appd | | | | | | | | | |
| sheet index | revision sheet | AB | 1 | | | | | | | Rev. AB | | | |

CAT. NO. & DIMENSIONS

| NO. OF CONTACTS (n) | CAT. NO. | | DIMENSIONS (NOTE1) | |
|---------------------|------------------|---------------|--------------------|---------|
| | RIGHT ANGLE TYPE | STRAIGHT TYPE | A ± 0.3 | B ± 0.3 |
| 4 | SLW 4 R-5A7LF | SLW 4 S-5A7LF | 10.2 | 5.2 |
| 5 | SLW 5 R-5A7LF | SLW 5 S-5A7LF | 11.2 | 6.2 |
| 6 | SLW 6 R-5A7LF | SLW 6 S-5A7LF | 12.2 | 7.2 |
| 7 | SLW 7 R-5A7LF | SLW 7 S-5A7LF | 13.2 | 8.2 |
| 8 | SLW 8 R-5A7LF | SLW 8 S-5A7LF | 14.2 | 9.2 |
| 9 | SLW 9 R-5A7LF | SLW 9 S-5A7LF | 15.2 | 10.2 |
| 10 | SLW 10R-5A7LF | SLW 10S-5A7LF | 16.2 | 11.2 |
| 11 | SLW 11R-5A7LF | SLW 11S-5A7LF | 17.2 | 12.2 |
| 12 | SLW 12R-5A7LF | SLW 12S-5A7LF | 18.2 | 13.2 |
| 13 | SLW 13R-5A7LF | SLW 13S-5A7LF | 19.2 | 14.2 |
| 14 | SLW 14R-5A7LF | SLW 14S-5A7LF | 20.2 | 15.2 |
| 15 | SLW 15R-5A7LF | SLW 15S-5A7LF | 21.2 | 16.2 |
| 16 | SLW 16R-5A7LF | SLW 16S-5A7LF | 22.2 | 17.2 |
| 17 | SLW 17R-5A7LF | SLW 17S-5A7LF | 23.2 | 18.2 |
| 18 | SLW 18R-5A7LF | SLW 18S-5A7LF | 24.2 | 19.2 |
| 19 | SLW 19R-5A7LF | SLW 19S-5A7LF | 25.2 | 20.2 |
| 20 | SLW 20R-5A7LF | SLW 20S-5A7LF | 26.2 | 21.2 |
| 21 | SLW 21R-5A7LF | SLW 21S-5A7LF | 27.2 | 22.2 |
| 22 | SLW 22R-5A7LF | SLW 22S-5A7LF | 28.2 | 23.2 |
| 23 | SLW 23R-5A7LF | SLW 23S-5A7LF | 29.2 | 24.2 |
| 24 | SLW 24R-5A7LF | SLW 24S-5A7LF | 30.2 | 25.2 |
| 25 | SLW 25R-5A7LF | SLW 25S-5A7LF | 31.2 | 26.2 |
| 26 | SLW 26R-5A7LF | SLW 26S-5A7LF | 32.2 | 27.2 |
| 27 | SLW 27R-5A7LF | SLW 27S-5A7LF | 33.2 | 28.2 |
| 28 | SLW 28R-5A7LF | SLW 28S-5A7LF | 34.2 | 29.2 |
| 29 | SLW 29R-5A7LF | SLW 29S-5A7LF | 35.2 | 30.2 |
| 30 | SLW 30R-5A7LF | SLW 30S-5A7LF | 36.2 | 31.2 |

CAT. NO. SLW (n) R -5A7 LF

SERIES NAME _____

NO. OF CONTACTS _____

R:RIGHT ANGLE TYPE _____

S:STRAIGHT TYPE _____

VARIATION _____

LEAD FREE _____

NOTE
1. SEE PART DRAWINGS FOR DIMENSIONS A,B.

| | | | | | | | | |
|-------------|----------------|-----|---------|---------------------------------------|----------------------------|------------|---|---------|
| mat'l. code | | | | surface ISO 1302 ✓ | tolerance ISO 406 ISO 1101 | projection | product family 5BJF/TF | CODE JP |
| ltr | ecn no | dr | date | tolerances unless otherwise specified | | mm | title | |
| A | J05-0079 | H.T | 2/18/05 | angles | linear | | CAT NO. TABLE FOR 1mm SPACING CONNECTOR (Cat. No. SLW__R/S-5A7LF) | |
| B | J06-0459 | H.T | 11/8/06 | | | scale X | dwg no JSA 96309 sheet 1 of 1 size A4 | |
| | | | | dr | <i>[Signature]</i> 11/8/06 | | type Product Customer Drawing | |
| | | | | enr | <i>[Signature]</i> 11/8/06 | | | |
| | | | | chr | <i>[Signature]</i> 11/9/06 | | | |
| | | | | appd | <i>[Signature]</i> 11/9/06 | | | |
| sheet index | revision sheet | B 1 | | | | | | Rev. B |



FCIconnect.com

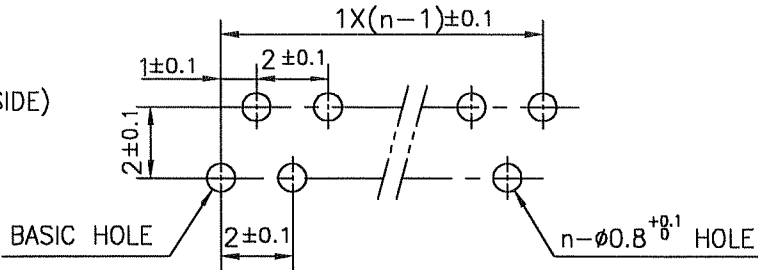
Copyright FCI.



- 1. THIS PRODUCT MEETS EUROPEAN UNION DIRECTIVES AND OTHER COUNTRY REGULATIONS AS DESCRIBED IN GS-22-008
- 2. THE HOUSING WILL WITHSTAND EXPOSURE TO 260°C PEAK TEMPERATURE FOR 10 SECONDS IN A WAVE SOLDER APPLICATION WITH A 1.6mm THICK CIRCUIT BOARD.

| PT.NO. | PARTS NAME | MATERIAL | Q'TY | NOTE |
|--------|------------|--|------|--------------------------------------|
| 1 | HOUSING | NYLON RESIN GLASS REINFORCED (UL94V-0) | 1 | COLOR : BLACK |
| 2 | SLIDER | | 1 | |
| 3 | CONTACT | PHOSPHOR BRONZE | n | PLATING : MATTE PURE TIN (LEAD FREE) |

RECOMMENDED PC BOARD THICKNESS : 0.8~1.6 HOLE PATTERN (COMPONENT SIDE)



| | | | | | | | | | | | | | |
|-------------|----------|----------------|----------|---------------------------------------|--|----------------------------|--|------------|--|---|--|-------------------|--|
| mat'l. code | | | | surface ISO 1302 ✓ | | tolerance ISO 406 ISO 1101 | | projection | | product family 58JF | | CODE JP | |
| ltr | ecn no | dr | date | tolerances unless otherwise specified | | | | mm | | title | | | |
| A | J05-0079 | H.T | 2/18/05 | angles | | ± 0.3 | | mm | | 1mm SPACING CONNECTOR (Cat. No. SLW__S-5A7LF) | | | |
| B | J05-0734 | H.T | 10/28/05 | linear | | | | scale X | | | | | |
| C | J06-0459 | H.T | 11/8/06 | | | | | | | dwg no | | sheet 1 of 1 size | |
| | | | | dr | | 11/8/06 | | | | JSA 96310 | | A4 | |
| | | | | enr | | 11/8/06 | | | | type Product Customer Drawing | | | |
| | | | | chr | | 11/9/06 | | | | | | | |
| | | | | appd | | 11/9/06 | | | | | | | |
| sheet index | | revision sheet | | c | | 1 | | | | | | Rev. c | |



1. THIS PRODUCT MEETS EUROPEAN UNION DIRECTIVES AND OTHER COUNTRY REGULATIONS AS DESCRIBED IN GS-22-008

2. THE HOUSING WILL WITHSTAND EXPOSURE TO 260°C PEAK TEMPERATURE FOR 10 SECONDS IN A WAVE SOLDER APPLICATION WITH A 1.6mm THICK CIRCUIT BOARD.

| PT.NO. | PARTS NAME | MATERIAL | Q'TY | NOTE |
|--------|------------|--|------|--------------------------------------|
| 1 | HOUSING | NYLON RESIN GLASS REINFORCED (UL94V-0) | 1 | COLOR : BLACK |
| 2 | SLIDER | | 1 | |
| 3 | CONTACT | PHOSPHOR BRONZE | n | PLATING : MATTE PURE TIN (LEAD FREE) |



RECOMMENDED PC BOARD THICKNESS : 0.8~1.6 HOLE PATTERN (COMPONENT SIDE)

| | | | | | | | | | | | | | |
|-------------|----------|----------------|-----------|---------------------------------------|--|----------------------------|--|------------|--|---|--|---------|--|
| mat'l. code | | | | surface ISO 1302 ✓ | | tolerance ISO 406 ISO 1101 | | projection | | product family 58TF | | CODE JP | |
| ltr | ecn no | dr | date | tolerances unless otherwise specified | | | | mm | | title | | | |
| A | J05-0079 | H.T | '05/2/18 | angles | | linear ±0.3 | | scale X | | 1mm SPACING CONNECTOR (Cat. No. SLW__R-5A7LF) | | | |
| B | J05-0734 | H.T | 10/28/'05 | | | | | | | dwg no sheet 1 of 1 size | | | |
| C | J06-0459 | H.T | 11/8/'06 | | | | | | | JSA 96311 A4 | | | |
| | | | | dr | | 11/01/06 | | | | type Product Customer Drawing | | | |
| | | | | enr | | 11/01/06 | | | | | | | |
| | | | | chr | | 11/9/06 | | | | | | | |
| | | | | appd | | 11/9/06 | | | | | | | |
| sheet index | | revision sheet | | C | | 1 | | | | | | Rev. C | |

SC-SLW04 JSA96309 form: A4

RECOMMENDED CABLE (CIC)



| PT. NO. | PARTS NAME | MATERIAL | THICKNESS (μm) | |
|---------|-----------------|---------------------------------|----------------|-----|
| 1 | BASE FILM | POLYESTER OR EQUAL | 75 | 25 |
| 2 | CONDUCTOR | CARBON PASTE OVER SILVER PASTE | 10 MIN. | |
| 3 | OVERLAY | POLYIMIDE OR POLYESTER OR EQUAL | — | |
| 4 | SUPPORTING TAPE | POLYESTER OR POLYIMIDE OR EQUAL | 188 | 250 |

NOTES

1. NO BURR AT EACH PORTION.
2. NO PEELING IN COMMON USE.
3. TOTAL THICKNESS LIMIT OF EACH MATERIAL (INCLUDING ADHESIVE AGENT) IS SPECIFIED.

| | | | | | | | | | | | | | |
|-------------|----------|------|----------------|---------------------------------------|---|----------------------------------|---|-----------------|---|---|------------|----------------------------------|--|
| mat'l. code | | | | surface ISO 1302 ✓ | | tolerance ISO 406 ISO 1101 | | projection ⊕ | | product family 58JF/TF | | CODE JP | |
| ltr | ecn no | dr | date | tolerances unless otherwise specified | | | | mm | | title RECOMMENDED CABLE (Cat. No. SLW__R/S-5__) | | | |
| AA | J05-0079 | H.T. | 2/18/05 | angles | | linear | | scale X | | dwg no JSA 92759 | | sheet 1 of 1 size A4 | |
| AB | J06-0459 | H.T. | 11/8/06 | dr | | engr | | chr | | appd | | type Product Customer Drawing | |
| sheet index | | | revision sheet | AB | 1 | | 1 | | 2 | | Rev. AB | | |

Компания «Океан Электроники» предлагает заключение долгосрочных отношений при поставках импортных электронных компонентов на взаимовыгодных условиях!

Наши преимущества:

- Поставка оригинальных импортных электронных компонентов напрямую с производств Америки, Европы и Азии, а так же с крупнейших складов мира;
- Широкая линейка поставок активных и пассивных импортных электронных компонентов (более 30 млн. наименований);
- Поставка сложных, дефицитных, либо снятых с производства позиций;
- Оперативные сроки поставки под заказ (от 5 рабочих дней);
- Экспресс доставка в любую точку России;
- Помощь Конструкторского Отдела и консультации квалифицированных инженеров;
- Техническая поддержка проекта, помощь в подборе аналогов, поставка прототипов;
- Поставка электронных компонентов под контролем ВП;
- Система менеджмента качества сертифицирована по Международному стандарту ISO 9001;
- При необходимости вся продукция военного и аэрокосмического назначения проходит испытания и сертификацию в лаборатории (по согласованию с заказчиком);
- Поставка специализированных компонентов военного и аэрокосмического уровня качества (Xilinx, Altera, Analog Devices, Intersil, Interpoint, Microsemi, Actel, Aeroflex, Peregrine, VPT, Syfer, Eurofarad, Texas Instruments, MS Kennedy, Miteq, Cobham, E2V, MA-COM, Hittite, Mini-Circuits, General Dynamics и др.);

Компания «Океан Электроники» является официальным дистрибьютором и эксклюзивным представителем в России одного из крупнейших производителей разъемов военного и аэрокосмического назначения «JONHON», а так же официальным дистрибьютором и эксклюзивным представителем в России производителя высокотехнологичных и надежных решений для передачи СВЧ сигналов «FORSTAR».



JONHON

«JONHON» (основан в 1970 г.)

Разъемы специального, военного и аэрокосмического назначения:

(Применяются в военной, авиационной, аэрокосмической, морской, железнодорожной, горно- и нефтедобывающей отраслях промышленности)

«FORSTAR» (основан в 1998 г.)

ВЧ соединители, коаксиальные кабели, кабельные сборки и микроволновые компоненты:

(Применяются в телекоммуникациях гражданского и специального назначения, в средствах связи, РЛС, а так же военной, авиационной и аэрокосмической отраслях промышленности).



Телефон: 8 (812) 309-75-97 (многоканальный)

Факс: 8 (812) 320-03-32

Электронная почта: ocean@oceanchips.ru

Web: <http://oceanchips.ru/>

Адрес: 198099, г. Санкт-Петербург, ул. Калинина, д. 2, корп. 4, лит. А