



FCIconnect.com

Copyright FCI.

1

2

Configuration of customer Documents list

| P/N            | Documents | No.      | Title                                   |
|----------------|-----------|----------|---|
| SLW__R/S-5C7LF | SPEC      | SC-SLW04 |   |
|                | DWG       | JSA96303 | CAT NO. TABLE FOR 1mm SPACING CONNECTOR |
|                |           | JSA96304 | 1mm SPACING CONNECTOR                   |
|                |           | JSA96305 | 1mm SPACING CONNECTOR                   |
|                | Cable     | JSA92759 | RECOMMENDED CABLE (CIC)                 |

| P/N            | Documents | No.      | Title                                   |
|----------------|-----------|----------|---|
| SLW__R/S-5A7LF | SPEC      | SC-SLW04 |   |
|                | DWG       | JSA96309 | CAT NO. TABLE FOR 1mm SPACING CONNECTOR |
|                |           | JSA96310 | 1mm SPACING CONNECTOR                   |
|                |           | JSA96311 | 1mm SPACING CONNECTOR                   |
|                | Cable     | JSA92759 | RECOMMENDED CABLE (CIC)                 |

|             |                |     |          |   |        |                                  |  |                 |  |  |  |                          |  |
|-------------|----------------|-----|----------|---|--------|----------------------------------|--|-----------------|--|--|--|--------------------------|--|
| mat'l. code |                |     |          | surface<br>ISO 1302 <input checked="" type="checkbox"/> |        | tolerance<br>ISO 406<br>ISO 1101 |  | projection<br>  |  | product family 58JF/TF   |  | CODE<br>JP               |  |
| ltr         | ecn no         | dr  | date     | tolerances unless otherwise specified                   |        |                                  |  | mm              |  | title<br>1mm SPACING CONNECTOR<br>DOCUMENT LIST<br>(Cat. No. SLW__R/S-5__LF) |  |                          |  |
| A           | J05-0079       | H.T | '05/2/18 | angles  | linear |                                  |  | scale $\propto$ |  | dwg no   |  | sheet 1 of 1 size        |  |
| B           | J06-0459       | H.T | 11/8/06  |   |        |                                  |  |                 |  | JSA96342   |  | A4                       |  |
|             |                | dr  |          |   |        |                                  |  |                 |  | type   |  | Product Customer Drawing |  |
|             |                | enr |          |   |        |                                  |  |                 |  |  |  |                          |  |
|             |                | chr |          |   |        |                                  |  |                 |  |  |  |                          |  |
|             |                | app |          |   |        |                                  |  |                 |  |  |  |                          |  |
| sheet index | revision sheet | B   | 1        |   |        |                                  |  |                 |  |  |  | Rev. B                   |  |

form: A4

1

2

CAT. NO. & DIMENSIONS

| NO. OF CONTACTS (n) | CAT. NO.         |               | DIMENSIONS (NOTE1) |         |
|---------------------|------------------|---------------|--------------------|---------|
|                     | RIGHT ANGLE TYPE | STRAIGHT TYPE | A ± 0.3            | B ± 0.3 |
| 4                   | SLW 4 R-5C7LF    | SLW 4 S-5C7LF | 10.2               | 5.2     |
| 5                   | SLW 5 R-5C7LF    | SLW 5 S-5C7LF | 11.2               | 6.2     |
| 6                   | SLW 6 R-5C7LF    | SLW 6 S-5C7LF | 12.2               | 7.2     |
| 7                   | SLW 7 R-5C7LF    | SLW 7 S-5C7LF | 13.2               | 8.2     |
| 8                   | SLW 8 R-5C7LF    | SLW 8 S-5C7LF | 14.2               | 9.2     |
| 9                   | SLW 9 R-5C7LF    | SLW 9 S-5C7LF | 15.2               | 10.2    |
| 10                  | SLW 10 R-5C7LF   | SLW 10S-5C7LF | 16.2               | 11.2    |
| 11                  | SLW 11 R-5C7LF   | SLW 11S-5C7LF | 17.2               | 12.2    |
| 12                  | SLW 12 R-5C7LF   | SLW 12S-5C7LF | 18.2               | 13.2    |
| 13                  | SLW 13 R-5C7LF   | SLW 13S-5C7LF | 19.2               | 14.2    |
| 14                  | SLW 14 R-5C7LF   | SLW 14S-5C7LF | 20.2               | 15.2    |
| 15                  | SLW 15 R-5C7LF   | SLW 15S-5C7LF | 21.2               | 16.2    |
| 16                  | SLW 16 R-5C7LF   | SLW 16S-5C7LF | 22.2               | 17.2    |
| 17                  | SLW 17 R-5C7LF   | SLW 17S-5C7LF | 23.2               | 18.2    |
| 18                  | SLW 18 R-5C7LF   | SLW 18S-5C7LF | 24.2               | 19.2    |
| 19                  | SLW 19 R-5C7LF   | SLW 19S-5C7LF | 25.2               | 20.2    |
| 20                  | SLW 20 R-5C7LF   | SLW 20S-5C7LF | 26.2               | 21.2    |
| 21                  | SLW 21 R-5C7LF   | SLW 21S-5C7LF | 27.2               | 22.2    |
| 22                  | SLW 22 R-5C7LF   | SLW 22S-5C7LF | 28.2               | 23.2    |
| 23                  | SLW 23 R-5C7LF   | SLW 23S-5C7LF | 29.2               | 24.2    |
| 24                  | SLW 24 R-5C7LF   | SLW 24S-5C7LF | 30.2               | 25.2    |
| 25                  | SLW 25 R-5C7LF   | SLW 25S-5C7LF | 31.2               | 26.2    |
| 26                  | SLW 26 R-5C7LF   | SLW 26S-5C7LF | 32.2               | 27.2    |
| 27                  | SLW 27 R-5C7LF   | SLW 27S-5C7LF | 33.2               | 28.2    |
| 28                  | SLW 28 R-5C7LF   | SLW 28S-5C7LF | 34.2               | 29.2    |
| 29                  | SLW 29 R-5C7LF   | SLW 29S-5C7LF | 35.2               | 30.2    |
| 30                  | SLW 30 R-5C7LF   | SLW 30S-5C7LF | 36.2               | 31.2    |

CAT. NO. SLW (n) R - 5C7 LF NOTE

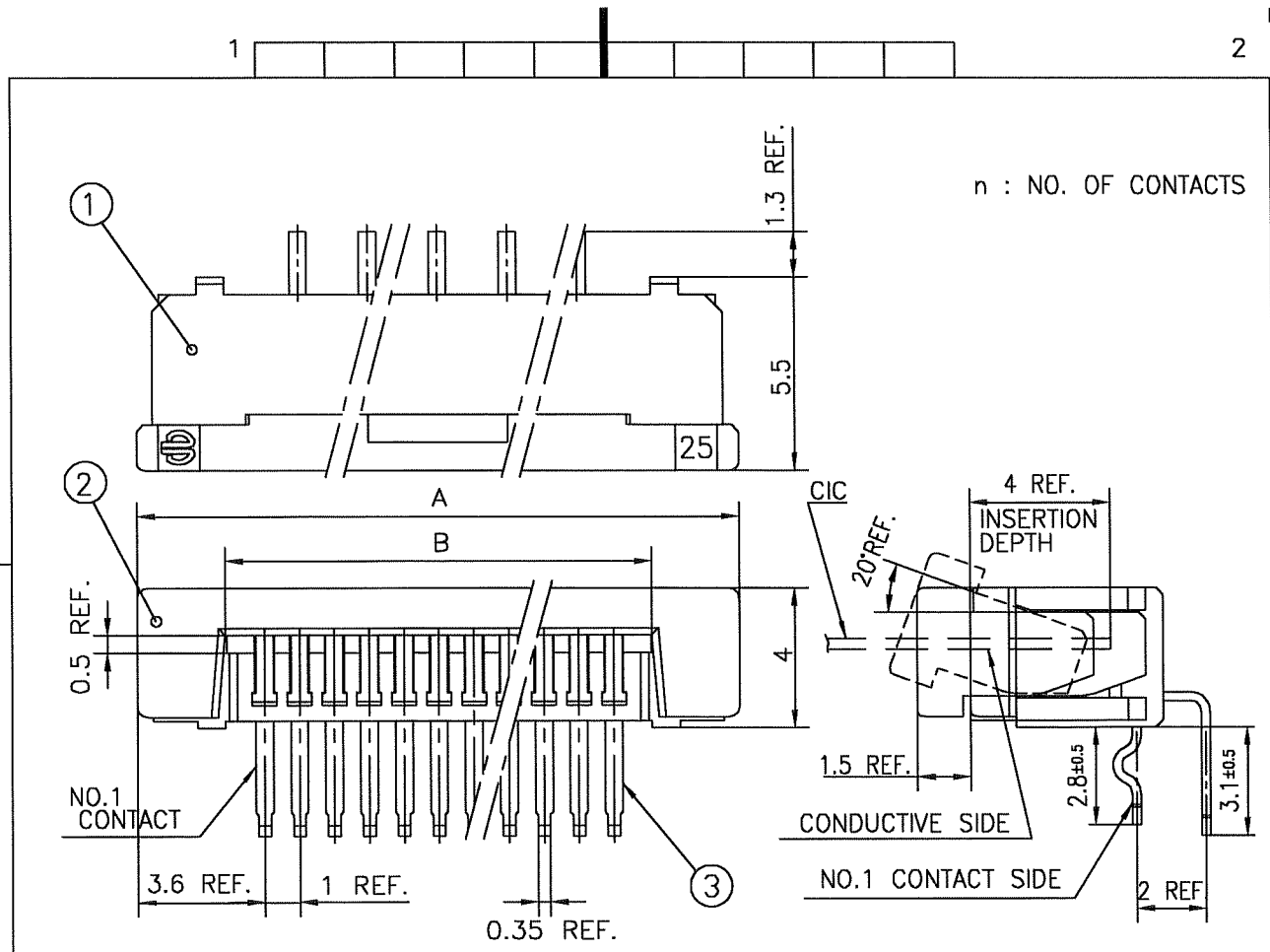
SERIES NAME \_\_\_\_\_  
 NO. OF CONTACTS \_\_\_\_\_  
 R:RIGHT ANGLE TYPE  
 S:STRAIGHT TYPE  
 VARIATION \_\_\_\_\_  
 LEAD FREE \_\_\_\_\_

1. SEE PART DRAWINGS FOR DIMENSIONS A,B.

|             |                |     |          |  |                            |                |   |         |
|-------------|----------------|-----|----------|--|----------------------------|----------------|---|---------|
| mat'l. code |                |     |          | surface ISO 1302 <input checked="" type="checkbox"/> | tolerance ISO 406 ISO 1101 | projection     | product family 58JF/TF  | CODE JP |
| ltr         | ecn no         | dr  | date     | tolerances unless otherwise specified                |                            | mm             | title   |         |
| A           | J05-0079       | H.T | '05/2/15 | angles   | linear                     |                | CAT NO. TABLE FOR 1mm SPACING CONNECTOR (Cat. No. SLW__R/S-5C7LF) |         |
| B           | J06-0459       | H.T | 11/8/'06 |  |                            | scale $\times$ | dwg no sheet 1 of 1 size  |         |
|             |                |     |          | dr   | <i>H. J. J. 11/8/06</i>    |                | JSA 96303 A4  |         |
|             |                |     |          | enr  | <i>H. J. J. 11/8/06</i>    |                | type Product Customer Drawing                                     |         |
|             |                |     |          | chr  | <i>R. Shoupe 11/9/06</i>   |                |   |         |
|             |                |     |          | app  | <i>S. J. J. 11/9/06</i>    |                |   |         |
| sheet index | revision sheet | B 1 |          |  |                            |                |   | Rev. B  |

SC-SLW04 JSA96304 96305 92759 form: A4

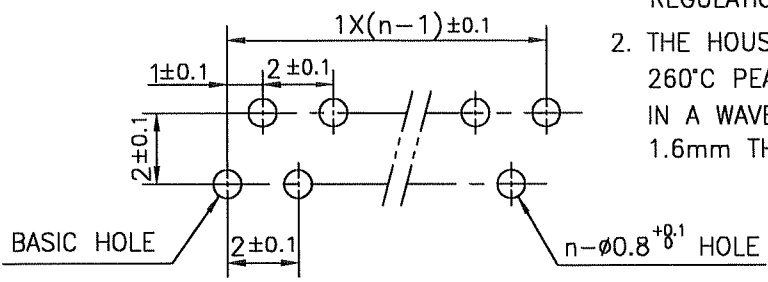




n : NO. OF CONTACTS

| PT.NO. | PARTS NAME | MATERIAL                     | Q'TY | NOTE                                 |
|--------|------------|------------------------------|------|--------------------------------------|
| 1      | HOUSING    | NYLON RESIN GLASS REINFORCED | 1    | COLOR : BLACK                        |
| 2      | SLIDER     | (UL94V-0)                    | 1    | COLOR : WHITE                        |
| 3      | CONTACT    | PHOSPHOR BRONZE              | n    | PLATING : MATTE PURE TIN (LEAD FREE) |

RECOMMENDED PC BOARD  
 THICKNESS : 0.8~1.6  
 HOLE PATTERN (COMPONENT SIDE)

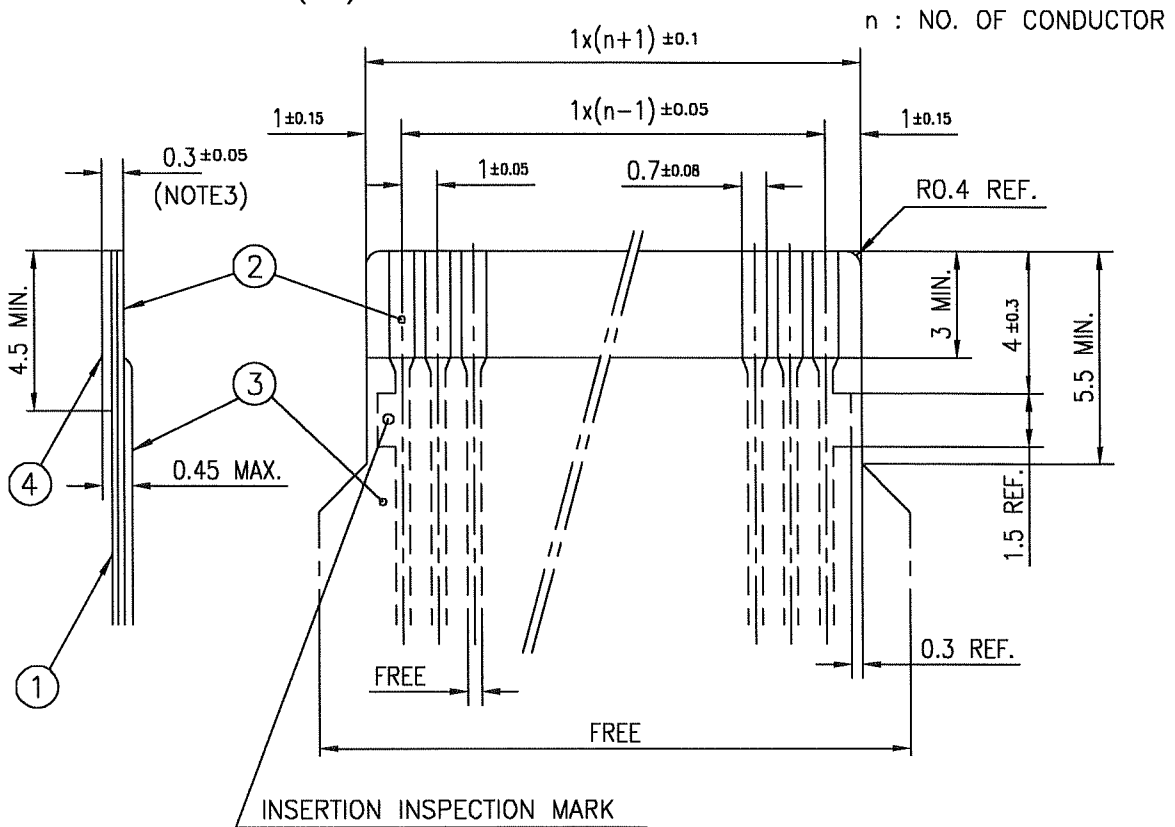


1. THIS PRODUCT MEETS EUROPEAN UNION DIRECTIVES AND OTHER COUNTRY REGULATIONS AS DESCRIBED IN GS-22-008
2. THE HOUSING WILL WITHSTAND EXPOSURE TO 260°C PEAK TEMPERATURE FOR 10 SECONDS IN A WAVE SOLDER APPLICATION WITH A 1.6mm THICK CIRCUIT BOARD.

|             |          |                |           |                                       |         |                            |  |            |           |                         |                          |         |      |  |
|-------------|----------|----------------|-----------|---------------------------------------|---------|----------------------------|--|------------|-----------|-------------------------|--------------------------|---------|------|--|
| mat'l. code |          |                |           | surface ISO 1302 ✓                    |         | tolerance ISO 406 ISO 1101 |  | projection |           | product family 58TF     |                          | CODE JP |      |  |
| ltr         | ecn no   | dr             | date      | tolerances unless otherwise specified |         |                            |  | mm         |           | title                   |                          |         |      |  |
| A           | J05-0079 | H.T            | '05/2/15  | ±0.3                                  |         |                            |  | mm         |           | 1mm SPACING CONNECTOR   |                          |         |      |  |
| B           | J05-0734 | H.T            | 10/28/'05 | angles                                | linear  |                            |  | mm         |           | (Cat. No. SLW__R-5C7LF) |                          |         |      |  |
| C           | J06-0459 | H.T            | 11/8/'06  |                                       |         |                            |  | scale X    |           |                         |                          |         |      |  |
|             |          |                |           | dr                                    | 11/8/06 |                            |  |            | dwg no    |                         | sheet 1 of 1             |         | size |  |
|             |          |                |           | enrg                                  | 11/8/06 |                            |  |            | JSA 96305 |                         | A4                       |         |      |  |
|             |          |                |           | chr                                   | 11/9/06 |                            |  |            | type      |                         | Product Customer Drawing |         |      |  |
|             |          |                |           | appd                                  | 11/9/06 |                            |  |            |           |                         |                          |         |      |  |
| sheet index |          | revision sheet |           | C                                     |         |                            |  |            |           |                         |                          | Rev. C  |      |  |

SC-SLW04 JSA96303  
 form: A4

RECOMMENDED CABLE (CIC)



| PT. NO. | PARTS NAME      | MATERIAL                        | THICKNESS (μm) |     |
|---------|-----------------|---------------------------------|----------------|-----|
| 1       | BASE FILM       | POLYESTER OR EQUAL              | 75             | 25  |
| 2       | CONDUCTOR       | CARBON PASTE OVER SILVER PASTE  | 10 MIN.        |     |
| 3       | OVERLAY         | POLYIMIDE OR POLYESTER OR EQUAL | —              |     |
| 4       | SUPPORTING TAPE | POLYESTER OR POLYIMIDE OR EQUAL | 188            | 250 |

NOTES

1. NO BURR AT EACH PORTION.
2. NO PEELING IN COMMON USE.
3. TOTAL THICKNESS LIMIT OF EACH MATERIAL (INCLUDING ADHESIVE AGENT) IS SPECIFIED.

|             |                |     |         |                                       |         |                            |     |            |           |  |                          |         |      |
|-------------|----------------|-----|---------|---------------------------------------|---------|----------------------------|-----|------------|-----------|--|--------------------------|---------|------|
| mat'l. code |                |     |         | surface ISO 1302 ✓                    |         | tolerance ISO 406 ISO 1101 |     | projection |           | product family 58JF/TF                       |                          | CODE JP |      |
| ltr         | ecn no         | dr  | date    | tolerances unless otherwise specified |         |                            |     | mm         |           | title  |                          |         |      |
| AA          | J05-0079       | H.T | 2/18/05 |                                       |         |                            |     | mm         |           | RECOMMENDED CABLE<br>(Cat. No. SLW__R/S-5__) |                          |         |      |
| AB          | J06-0459       | H.T | 11/8/06 | angles                                | linear  |                            |     | scale X    |           |  |                          |         |      |
|             |                |     |         | dr                                    | 11/8/06 |                            | FCI |            | dwg no    |  | sheet 1 of 1             |         | size |
|             |                |     |         | enrg                                  | 11/8/06 |                            |     |            | JSA 92759 |  |                          |         | A4   |
|             |                |     |         | chr                                   | 11/9/06 |                            |     |            | type      |  | Product Customer Drawing |         |      |
|             |                |     |         | appd                                  | 11/9/06 |                            |     |            |           |  |                          |         | Rev. |
| sheet index | revision sheet | AB  | 1       |                                       |         |                            |     |            |           |  |                          | AB      |      |

CAT. NO. & DIMENSIONS

| NO. OF CONTACTS (n) | CAT. NO.         |               | DIMENSIONS (NOTE1) |         |
|---------------------|------------------|---------------|--------------------|---------|
|                     | RIGHT ANGLE TYPE | STRAIGHT TYPE | A ± 0.3            | B ± 0.3 |
| 4                   | SLW 4 R-5A7LF    | SLW 4 S-5A7LF | 10.2               | 5.2     |
| 5                   | SLW 5 R-5A7LF    | SLW 5 S-5A7LF | 11.2               | 6.2     |
| 6                   | SLW 6 R-5A7LF    | SLW 6 S-5A7LF | 12.2               | 7.2     |
| 7                   | SLW 7 R-5A7LF    | SLW 7 S-5A7LF | 13.2               | 8.2     |
| 8                   | SLW 8 R-5A7LF    | SLW 8 S-5A7LF | 14.2               | 9.2     |
| 9                   | SLW 9 R-5A7LF    | SLW 9 S-5A7LF | 15.2               | 10.2    |
| 10                  | SLW 10R-5A7LF    | SLW 10S-5A7LF | 16.2               | 11.2    |
| 11                  | SLW 11R-5A7LF    | SLW 11S-5A7LF | 17.2               | 12.2    |
| 12                  | SLW 12R-5A7LF    | SLW 12S-5A7LF | 18.2               | 13.2    |
| 13                  | SLW 13R-5A7LF    | SLW 13S-5A7LF | 19.2               | 14.2    |
| 14                  | SLW 14R-5A7LF    | SLW 14S-5A7LF | 20.2               | 15.2    |
| 15                  | SLW 15R-5A7LF    | SLW 15S-5A7LF | 21.2               | 16.2    |
| 16                  | SLW 16R-5A7LF    | SLW 16S-5A7LF | 22.2               | 17.2    |
| 17                  | SLW 17R-5A7LF    | SLW 17S-5A7LF | 23.2               | 18.2    |
| 18                  | SLW 18R-5A7LF    | SLW 18S-5A7LF | 24.2               | 19.2    |
| 19                  | SLW 19R-5A7LF    | SLW 19S-5A7LF | 25.2               | 20.2    |
| 20                  | SLW 20R-5A7LF    | SLW 20S-5A7LF | 26.2               | 21.2    |
| 21                  | SLW 21R-5A7LF    | SLW 21S-5A7LF | 27.2               | 22.2    |
| 22                  | SLW 22R-5A7LF    | SLW 22S-5A7LF | 28.2               | 23.2    |
| 23                  | SLW 23R-5A7LF    | SLW 23S-5A7LF | 29.2               | 24.2    |
| 24                  | SLW 24R-5A7LF    | SLW 24S-5A7LF | 30.2               | 25.2    |
| 25                  | SLW 25R-5A7LF    | SLW 25S-5A7LF | 31.2               | 26.2    |
| 26                  | SLW 26R-5A7LF    | SLW 26S-5A7LF | 32.2               | 27.2    |
| 27                  | SLW 27R-5A7LF    | SLW 27S-5A7LF | 33.2               | 28.2    |
| 28                  | SLW 28R-5A7LF    | SLW 28S-5A7LF | 34.2               | 29.2    |
| 29                  | SLW 29R-5A7LF    | SLW 29S-5A7LF | 35.2               | 30.2    |
| 30                  | SLW 30R-5A7LF    | SLW 30S-5A7LF | 36.2               | 31.2    |

CAT. NO. SLW (n) R -5A7 LF

SERIES NAME \_\_\_\_\_

NO. OF CONTACTS \_\_\_\_\_

R:RIGHT ANGLE TYPE \_\_\_\_\_

S:STRAIGHT TYPE \_\_\_\_\_

VARIATION \_\_\_\_\_

LEAD FREE \_\_\_\_\_

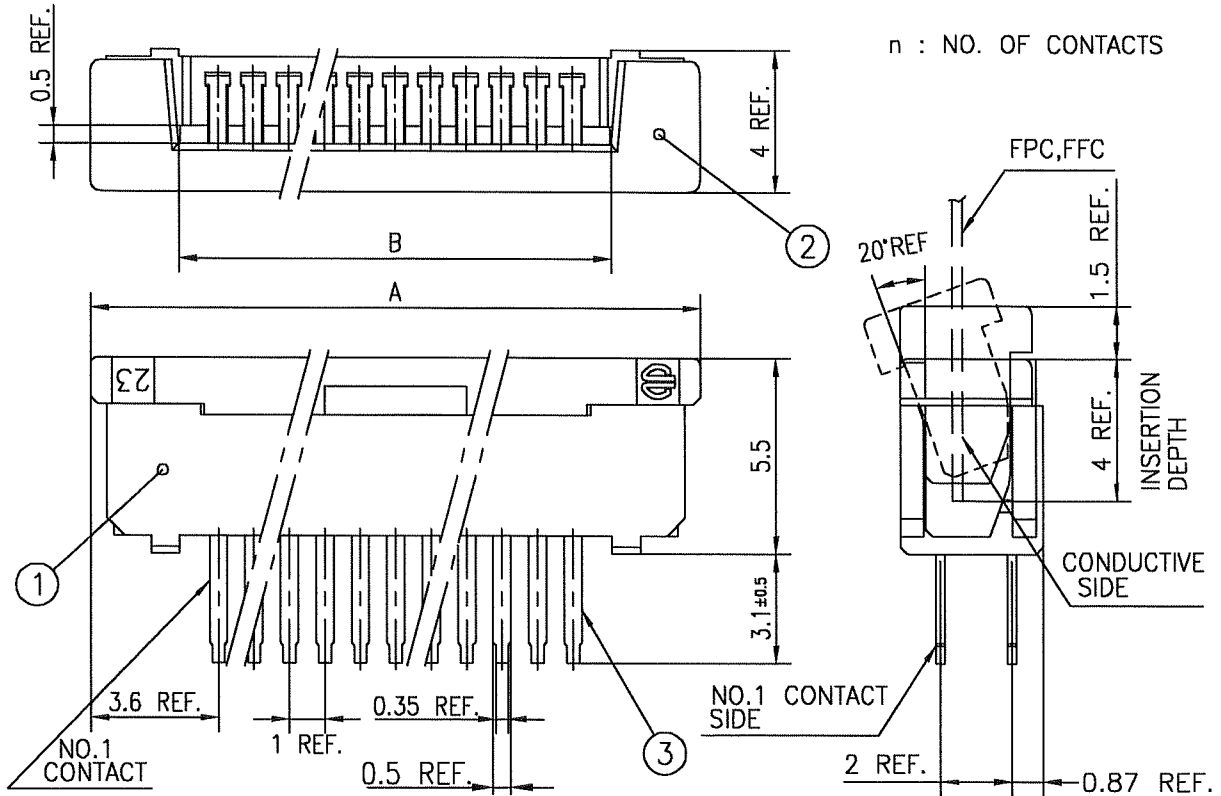
NOTE  
1. SEE PART DRAWINGS FOR DIMENSIONS A,B.

|             |                |      |                            |   |            |                        |  |
|-------------|----------------|------|----------------------------|---|------------|------------------------|--|
| mat'l. code |                |      |                            | surface <input checked="" type="checkbox"/> ISO 1302 <input type="checkbox"/> tolerance <input checked="" type="checkbox"/> ISO 406 <input type="checkbox"/> ISO 1101 | projection | product family 5BJF/TF | CODE JP  |
| ltr         | ecn no         | dr   | date                       | tolerances unless otherwise specified   |            | mm                     | title<br>CAT NO. TABLE FOR<br>1mm SPACING CONNECTOR<br>(Cat. No. SLW__R/S-5A7LF) |
| A           | J05-0079       | H.T  | 2/18/05                    | angles  | linear     |                        |  |
| B           | J06-0459       | H.T  | 11/8/06                    |   |            | scale $\times$         |  |
|             |                | dr   | <i>[Signature]</i> 11/8/06 |   |            |                        | dwg no JSA 96309 sheet 1 of 1 size A4  |
|             |                | enr  | <i>[Signature]</i> 11/8/06 |   |            |                        |  |
|             |                | chr  | <i>[Signature]</i> 11/9/06 |   |            |                        |  |
|             |                | appd | <i>[Signature]</i> 11/9/06 |   |            |                        |  |
| sheet index | revision sheet | B    | 1                          |   |            |                        | type Product Customer Drawing  |



FCIconnect.com

Copyright FCI.



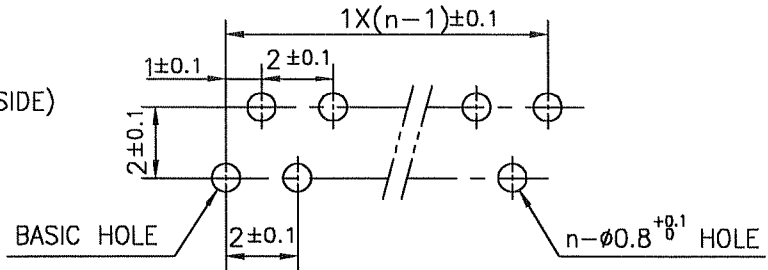
n : NO. OF CONTACTS

1. THIS PRODUCT MEETS EUROPEAN UNION DIRECTIVES AND OTHER COUNTRY REGULATIONS AS DESCRIBED IN GS-22-008

2. THE HOUSING WILL WITHSTAND EXPOSURE TO 260°C PEAK TEMPERATURE FOR 10 SECONDS IN A WAVE SOLDER APPLICATION WITH A 1.6mm THICK CIRCUIT BOARD.

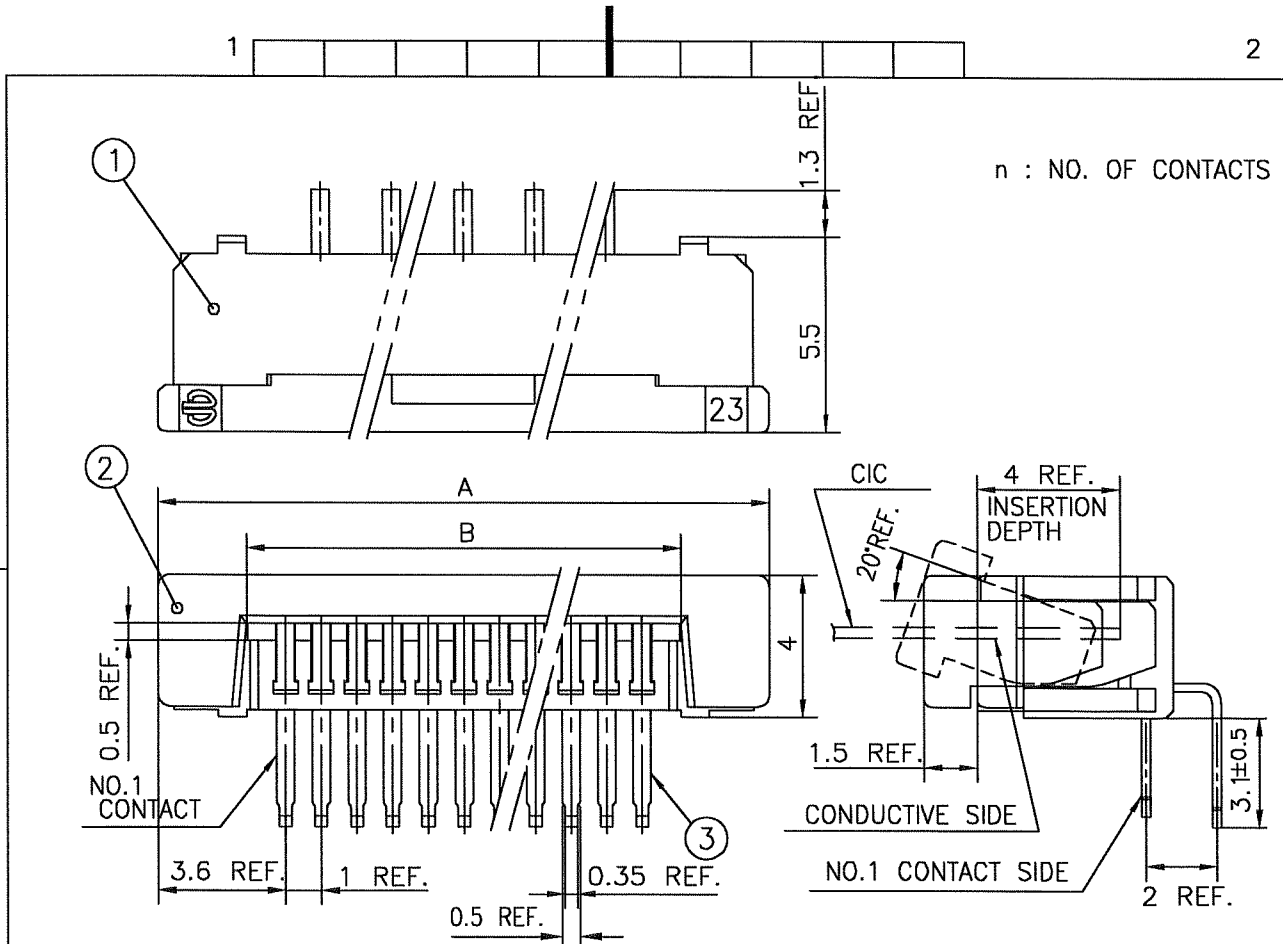
| PT.NO. | PARTS NAME | MATERIAL                               | Q'TY | NOTE                                 |
|--------|------------|--|------|--------------------------------------|
| 1      | HOUSING    | NYLON RESIN GLASS REINFORCED (UL94V-0) | 1    | COLOR : BLACK                        |
| 2      | SLIDER     |  | 1    |                                      |
| 3      | CONTACT    | PHOSPHOR BRONZE                        | n    | PLATING : MATTE PURE TIN (LEAD FREE) |

RECOMMENDED PC BOARD THICKNESS : 0.8~1.6 HOLE PATTERN (COMPONENT SIDE)



|             |          |     |          |                                       |  |                            |  |            |  |   |  |         |  |  |  |
|-------------|----------|-----|----------|---------------------------------------|--|----------------------------|--|------------|--|---|--|---------|--|--|--|
| mat'l. code |          |     |          | surface ISO 1302 ✓                    |  | tolerance ISO 406 ISO 1101 |  | projection |  | product family 58JF                           |  | CODE JP |  |  |  |
| ltr         | ecn no   | dr  | date     | tolerances unless otherwise specified |  |                            |  | mm         |  | title   |  |         |  |  |  |
| A           | J05-0079 | H.T | 2/18/05  | ± 0.3                                 |  |                            |  | mm         |  | 1mm SPACING CONNECTOR (Cat. No. SLW__S-5A7LF) |  |         |  |  |  |
| B           | J05-0734 | H.T | 10/28/05 | linear                                |  |                            |  | scale X    |  | dwg no JSA 96310 sheet 1 of 1 size A4         |  |         |  |  |  |
| C           | J06-0459 | H.T | 11/8/06  | dr                                    |  |                            |  | FCI        |  | type Product Customer Drawing                 |  |         |  |  |  |
| sheet index |          |     |          | revision sheet 1                      |  |                            |  | Rev. C     |  |   |  | D       |  |  |  |

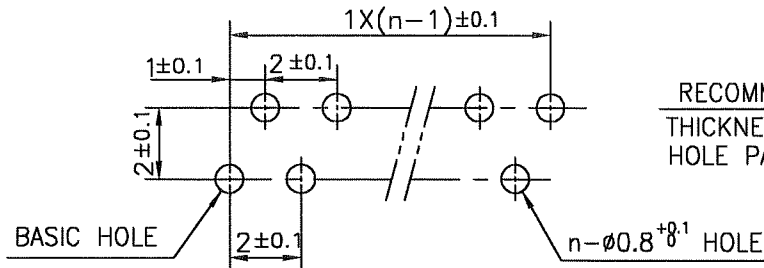
SC-SLW03 JSA96300 form: A4



1. THIS PRODUCT MEETS EUROPEAN UNION DIRECTIVES AND OTHER COUNTRY REGULATIONS AS DESCRIBED IN GS-22-008

2. THE HOUSING WILL WITHSTAND EXPOSURE TO 260°C PEAK TEMPERATURE FOR 10 SECONDS IN A WAVE SOLDER APPLICATION WITH A 1.6mm THICK CIRCUIT BOARD.

| PT.NO. | PARTS NAME | MATERIAL                               | Q'TY | NOTE                                 |
|--------|------------|--|------|--------------------------------------|
| 1      | HOUSING    | NYLON RESIN GLASS REINFORCED (UL94V-0) | 1    | COLOR : BLACK                        |
| 2      | SLIDER     |  | 1    |                                      |
| 3      | CONTACT    | PHOSPHOR BRONZE                        | n    | PLATING : MATTE PURE TIN (LEAD FREE) |



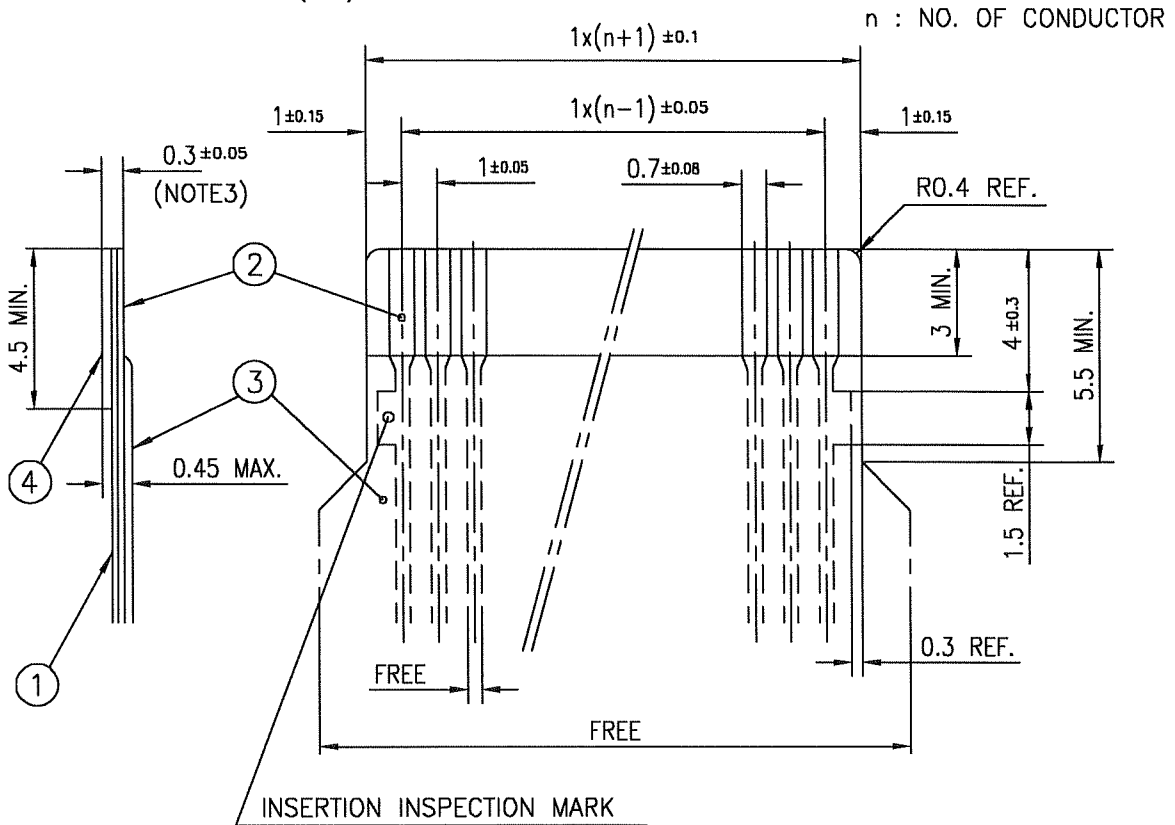
RECOMMENDED PC BOARD THICKNESS : 0.8~1.6 HOLE PATTERN (COMPONENT SIDE)

|             |  |                |  |                    |  |                            |  |            |  |   |  |                          |  |
|-------------|--|----------------|--|--------------------|--|----------------------------|--|------------|--|---|--|--------------------------|--|
| mat'l. code |  |                |  | surface ISO 1302 ✓ |  | tolerance ISO 406 ISO 1101 |  | projection |  | product family 58TF                           |  | CODE JP                  |  |
| ltr         |  |                |  | ecn no             |  | dr                         |  | date       |  | title   |  |                          |  |
| A           |  |                |  | J05-0079           |  | H.T.                       |  | '05/2/18   |  | 1mm SPACING CONNECTOR (Cat. No. SLW__R-5A7LF) |  |                          |  |
| B           |  |                |  | J05-0734           |  | H.T.                       |  | 10/28/'05  |  |   |  |                          |  |
| C           |  |                |  | J06-0459           |  | H.T.                       |  | 11/8/'06   |  |   |  |                          |  |
|             |  |                |  | dr                 |  | 11/01/06                   |  |            |  | dwg no  |  | sheet 1 of 1 size        |  |
|             |  |                |  | enr                |  | 11/01/06                   |  |            |  | JSA 96311                                     |  | A4                       |  |
|             |  |                |  | chr                |  | 11/9/06                    |  |            |  | type  |  | Product Customer Drawing |  |
|             |  |                |  | appd               |  | 11/9/06                    |  |            |  |   |  | Rev. c                   |  |
| sheet index |  | revision sheet |  | C                  |  | 1                          |  |            |  |   |  |                          |  |

SC-SLW04 JSA96309 form: A4



RECOMMENDED CABLE (CIC)



| PT. NO. | PARTS NAME      | MATERIAL                        | THICKNESS (μm) |     |
|---------|-----------------|---------------------------------|----------------|-----|
| 1       | BASE FILM       | POLYESTER OR EQUAL              | 75             | 25  |
| 2       | CONDUCTOR       | CARBON PASTE OVER SILVER PASTE  | 10 MIN.        |     |
| 3       | OVERLAY         | POLYIMIDE OR POLYESTER OR EQUAL | —              |     |
| 4       | SUPPORTING TAPE | POLYESTER OR POLYIMIDE OR EQUAL | 188            | 250 |

NOTES

1. NO BURR AT EACH PORTION.
2. NO PEELING IN COMMON USE.
3. TOTAL THICKNESS LIMIT OF EACH MATERIAL (INCLUDING ADHESIVE AGENT) IS SPECIFIED.

|             |                |     |         |   |         |                |  |                         |           |         |              |         |
|-------------|----------------|-----|---------|---|---------|----------------|--|-------------------------|-----------|---------|--------------|---------|
| mat'l. code |                |     |         | surface <input checked="" type="checkbox"/> ISO 1302 <input type="checkbox"/> tolerance <input checked="" type="checkbox"/> ISO 406 <input type="checkbox"/> ISO 1101 |         | projection     |  | product family 58JF/TF  |           | CODE JP |              |         |
| ltr         | ecn no         | dr  | date    | tolerances unless otherwise specified   |         |                |  | title                   |           |         |              |         |
| AA          | J05-0079       | H.T | 2/18/05 |   |         |                |  | RECOMMENDED CABLE       |           |         |              |         |
| AB          | J06-0459       | H.T | 11/8/06 | angles  | linear  | mm             |  | (Cat. No. SLW__R/S-5__) |           |         |              |         |
|             |                |     |         |   |         | scale $\times$ |  |                         |           |         |              |         |
|             |                |     |         | dr  | 11/8/06 |                |  |                         | dwg no    |         | sheet 1 of 1 | size    |
|             |                |     |         | enrg  | 11/8/06 |                |  |                         | JSA 92759 |         | A4           |         |
|             |                |     |         | chr   | 11/9/06 |                |  |                         |           |         |              |         |
|             |                |     |         | appd  | 11/9/06 |                |  |                         |           |         |              |         |
| sheet index | revision sheet | AB  | 1       |   |         |                |  |                         |           |         |              | Rev. AB |

Компания «Океан Электроники» предлагает заключение долгосрочных отношений при поставках импортных электронных компонентов на взаимовыгодных условиях!

Наши преимущества:

- Поставка оригинальных импортных электронных компонентов напрямую с производств Америки, Европы и Азии, а так же с крупнейших складов мира;
- Широкая линейка поставок активных и пассивных импортных электронных компонентов (более 30 млн. наименований);
- Поставка сложных, дефицитных, либо снятых с производства позиций;
- Оперативные сроки поставки под заказ (от 5 рабочих дней);
- Экспресс доставка в любую точку России;
- Помощь Конструкторского Отдела и консультации квалифицированных инженеров;
- Техническая поддержка проекта, помощь в подборе аналогов, поставка прототипов;
- Поставка электронных компонентов под контролем ВП;
- Система менеджмента качества сертифицирована по Международному стандарту ISO 9001;
- При необходимости вся продукция военного и аэрокосмического назначения проходит испытания и сертификацию в лаборатории (по согласованию с заказчиком);
- Поставка специализированных компонентов военного и аэрокосмического уровня качества (Xilinx, Altera, Analog Devices, Intersil, Interpoint, Microsemi, Actel, Aeroflex, Peregrine, VPT, Syfer, Eurofarad, Texas Instruments, MS Kennedy, Miteq, Cobham, E2V, MA-COM, Hittite, Mini-Circuits, General Dynamics и др.);

Компания «Океан Электроники» является официальным дистрибьютором и эксклюзивным представителем в России одного из крупнейших производителей разъемов военного и аэрокосмического назначения «JONHON», а так же официальным дистрибьютором и эксклюзивным представителем в России производителя высокотехнологичных и надежных решений для передачи СВЧ сигналов «FORSTAR».



## JONHON

«JONHON» (основан в 1970 г.)

Разъемы специального, военного и аэрокосмического назначения:

(Применяются в военной, авиационной, аэрокосмической, морской, железнодорожной, горно- и нефтедобывающей отраслях промышленности)

«FORSTAR» (основан в 1998 г.)

ВЧ соединители, коаксиальные кабели, кабельные сборки и микроволновые компоненты:

(Применяются в телекоммуникациях гражданского и специального назначения, в средствах связи, РЛС, а так же военной, авиационной и аэрокосмической отраслях промышленности).



Телефон: 8 (812) 309-75-97 (многоканальный)

Факс: 8 (812) 320-03-32

Электронная почта: [ocean@oceanchips.ru](mailto:ocean@oceanchips.ru)

Web: <http://oceanchips.ru/>

Адрес: 198099, г. Санкт-Петербург, ул. Калинина, д. 2, корп. 4, лит. А