



# Z80182/Z8L182

## ZILOG INTELLIGENT PERIPHERAL CONTROLLER (ZIP™)

### FEATURES

- Z8S180 MPU
  - Code Compatible with Zilog Z80®/Z180™ CPU
  - Extended Instructions
  - Operating Frequency: 33 MHz/5V or 20 MHz/3.3V
  - Two DMA Channels
  - On-Chip Wait State Generators
  - Two UART Channels
  - Two 16-Bit Timer Counters
  - On-Chip Interrupt Controller
  - On-Chip Clock Oscillator/Generator
  - Clocked Serial I/O Port
  - Fully Static
  - Low EMI Option
- Two ESCC™ Channels with 32-Bit CRC
- Three 8-Bit Parallel I/O Ports
- 16550 Compatible MIMIC Interface for Direct Connection to PC, XT, AT Bus
- 100-Pin Package Styles (QFP, VQFP) (0.8 Micron CMOS 5120 Technology)
- Individual WSG for RAMCS and ROMCS

### GENERAL DESCRIPTION

The Z80182/Z8L182 is a smart peripheral controller IC for modem (in particular V. Fast applications), fax, voice messaging and other communications applications. It uses the Z80180 microprocessor (Z8S180 MPU core) linked with two channels of the industry standard Z85230 ESCC (Enhanced Serial Communications Controller), 24 bits of parallel I/O, and a 16550 MIMIC for direct connection to the IBM PC, XT, AT bus.

The Z80182/Z8L182 allows complete flexibility for both internal PC and external applications. Also current PC modem software compatibility can be maintained with the Z80182/Z8L182 ability to mimic the 16550 UART chip. The Z80180 acts as an interface between the ESCC™ and 16550 MIMIC interface when used in internal applications, and between the two ESCC channels in the external applications. This interface allows data compression and

error correction on outgoing and incoming data. In external applications, three 8-bit parallel ports are available for driving LEDs or other devices. Figure 1 shows the Z80182/Z8L182 block diagram, while the pin assignments for the QFP and the VQFP packages are shown in Figures 2 and 3, respectively. All references in this document to the Z80182, or Z182 refer to both the Z80182 and Z8L182.

#### Notes:

All Signals with a preceding front slash, "/", are active Low, e.g., B/W (WORD is active Low); /B/W (BYTE is active Low, only).

Power connections follow conventional descriptions below:

Connection	Circuit	Device
Power	$V_{CC}$	$V_{DD}$
Ground	GND	$V_{SS}$

GENERAL DESCRIPTION (Continued)



**Note:** Conventional use of the term "MPU side" refers to all interface through the Z180 MPU core and "PC side" refers to all interface through the 16550 MIMIC interface.

Figure 1. Z80182/Z8L182 Functional Block Diagram

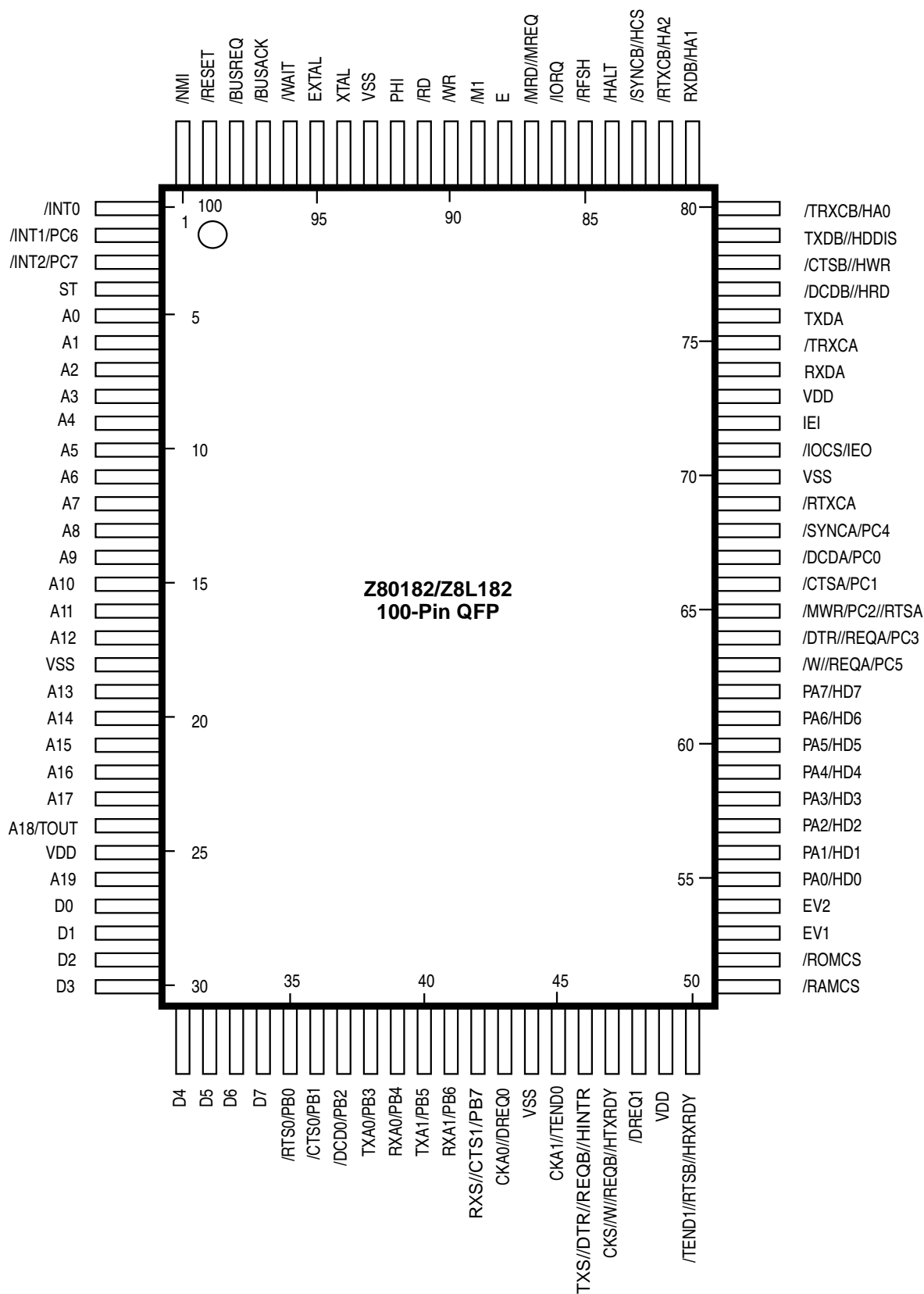
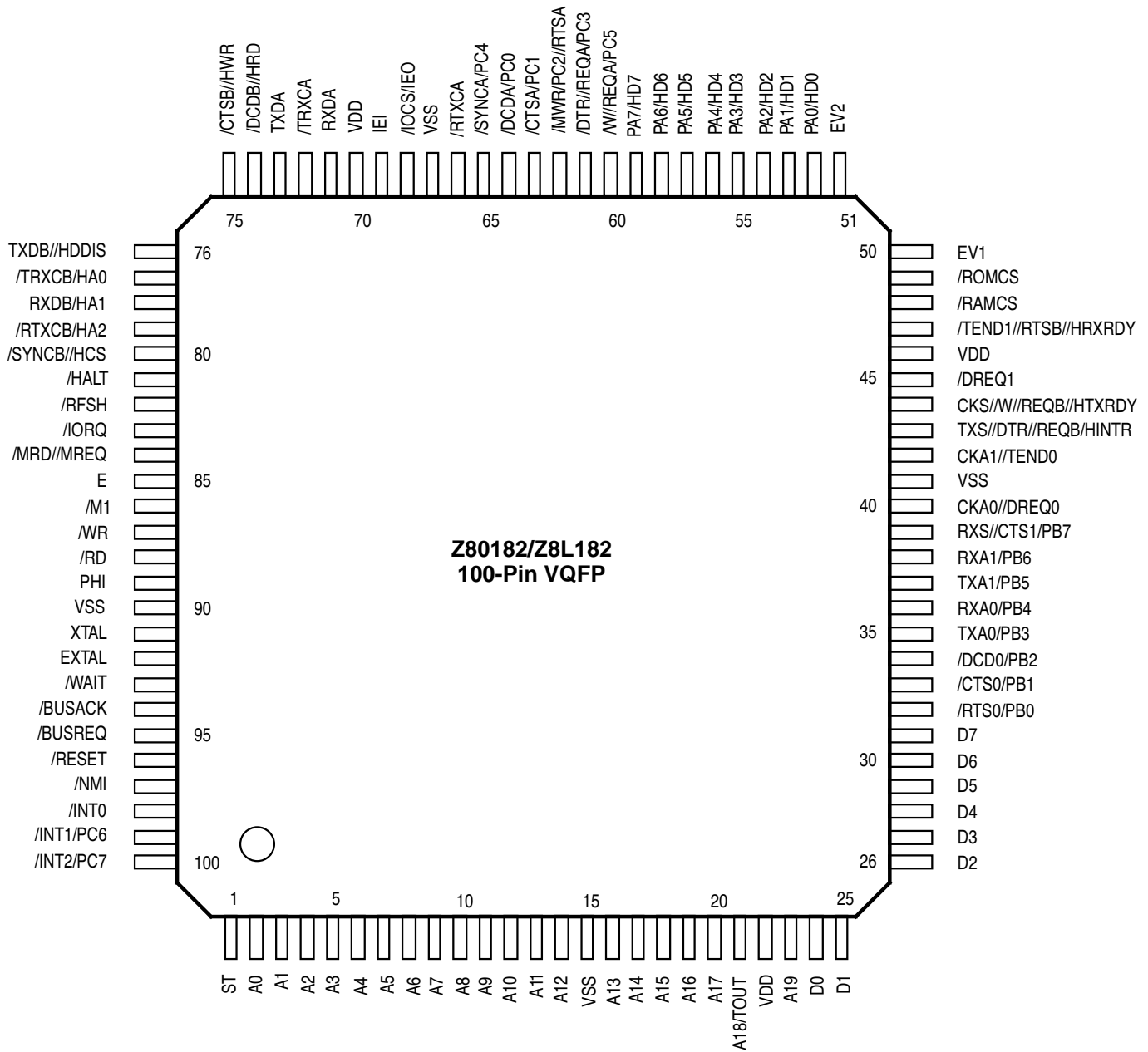


Figure 2. Z80182/Z8L182 100-Pin QFP Pin Configuration

**GENERAL DESCRIPTION** (Continued)



**Figure 3. Z80182/Z8L182 100-Pin VQFP Pin Configuration**

## Z180 CPU SIGNALS

**A19-A0.** *Address Bus (input/output, active High, tri-state).* A19-A0 form a 20-bit address bus. The Address Bus provides the address for memory data bus exchanges up to 1 Mbyte, and I/O data bus exchanges up to 64K. The address bus enters a high impedance state during reset and external bus acknowledge cycles, as well as during SLEEP and HALT states. This bus is an input when the external bus master is accessing the on-chip peripherals. Address line A18 is multiplexed with the output of PRT channel 1 ( $T_{OUT}$ , selected as address output on reset).

**D7-D0.** *Data Bus (bi-directional, active High, tri-state).* D7-D0 constitute an 8-bit bi-directional data bus, used for the transfer of information to and from I/O and memory devices. The data bus enters the high impedance state during reset and external bus acknowledge cycles, as well as during SLEEP and HALT states.

**/RD.** *Read (input/output, active Low, tri-state).* /RD indicates that the CPU wants to read data from memory or an I/O device. The addressed I/O or memory device should use this signal to gate data onto the CPU data bus.

**/WR.** *Write (input/output, active Low, tri-state).* /WR indicates that the CPU data bus holds valid data to be stored at the addressed I/O or memory location.

**/IORQ.** *I/O Request (input/output, active Low, tri-state).* /IORQ indicates that the address bus contains a valid I/O address for an I/O read or I/O write operation. /IORQ is also generated, along with /M1, during the acknowledgment of the /INT0 input signal to indicate that an interrupt response vector can be placed onto the data bus. This signal is analogous to the IOE signal of the Z64180.

**/M1.** *Machine Cycle 1 (input/output, active Low).* Together with /MREQ, /M1 indicates that the current cycle is the opcode fetch cycle of an instruction execution; unless /M1E bit in the OMCR is cleared to 0. Together with /IORQ, /M1 indicates that the current cycle is for an interrupt acknowledge. It is also used with the /HALT and ST signals to decode status of the CPU machine cycle. This signal is analogous to the /LIR signal of the Z64180.

**/MREQ.** *Memory Request (input/output, active Low, tri-state).* /MREQ indicates that the address bus holds a valid address for a memory read or memory write operation. This signal is analogous to the /ME signal of the Z64180. /MREQ is multiplexed with /MRD on the /MRD//MREQ pin. The /MRD//MREQ pin is an input during adapter modes; is tri-state during bus acknowledge if the /MREQ function is selected; and is inactive High if /MRD function is selected.

**/MRD.** *Memory Read (input/output, active Low, tri-state).* /MRD is active when both the internal /MREQ and /RD are active. /MRD is multiplexed with /MREQ on the /MRD //MREQ pin. The /MRD//MREQ pin is an input during adapter modes; is tri-state during bus acknowledge if /MREQ function is selected; and is inactive High if /MRD function is selected. The default function on power up is /MRD and may be changed by programming bit 3 of the Interrupt Edge/Pin MUX Register (xxDFH).

**/MWR.** *Memory Write (input/output, active Low, tri-state).* /MWR is active when both the internal /MREQ and /WR are active. This /RTSA or PC2 combination is pin multiplexed with /MWR on the /MWR/PC2//RTSA pin. The default function of this pin on power up is /MWR, which may be changed by programming bit 3 in the Interrupt Edge/Pin MUX Register (xxDFH).

**/WAIT.** *(input/output active Low).* /WAIT indicates to the MPU that the addressed memory or I/O devices are not ready for a data transfer. This input is used to induce additional clock cycles into the current machine cycle. The /WAIT input is sampled on the falling edge of T2 (and subsequent wait states). If the input is sampled Low, then additional wait states are inserted until the /WAIT input is sampled High, at which time execution will continue.

**/HALT.** *Halt/Sleep Status (input/output, active Low).* This output is asserted after the CPU has executed either the HALT or SLEEP instruction, and is waiting for either non-maskable or maskable interrupts before operation can resume. It is also used with the /M1 and ST signals to decode status of the CPU machine cycle. On exit of HALT/SLEEP mode, the first instruction fetch can be delayed by 16 clock cycles after the /HALT pin goes High, if HALT 16 feature is selected.

**/BUSACK.** *Bus Acknowledge (input/output, active Low).* /BUSACK indicates to the requesting device, the MPU address and data bus, and some control signals, have entered their high impedance state.

**/BUSREQ.** *Bus Request (input, active Low).* This input is used by external devices (such as DMA controllers) to request access to the system bus. This request has a higher priority than /NMI and is always recognized at the end of the current machine cycle. This signal will stop the CPU from executing further instructions and places the address/data buses and other control signals, into the high impedance state.

## Z180 CPU SIGNALS (Continued)

**/NMI.** *Non-maskable interrupt (input, negative edge triggered).* /NMI has a higher priority than /INT and is always recognized at the end of an instruction, regardless of the state of the interrupt enable flip-flops. This signal forces CPU execution to continue at location 0066H.

**/INT0.** *Maskable Interrupt Request 0 (input/output active Low).* This signal is generated by external I/O devices. The CPU will honor this request at the end of the current instruction cycle as long as the /NMI and /BUSREQ signals are inactive. The CPU acknowledges this interrupt request with an interrupt acknowledge cycle. During this cycle, both the /M1 and /IORQ signals become active. The internal Z180 MPU's /INT0 source is: /INT0 or ESCC or the MIMIC. This input is level triggered. /INT0 is an open-drain output, so you can connect other open-drain interrupts onto the circuit in addition to having a pull-up to VCC.

**/INT1, /INT2.** *Maskable Interrupt Requests 1 and 2 (inputs, active Low).* This signal is generated by external I/O devices. The CPU will honor these requests at the end of the current instruction cycle as long as the /NMI, /BUSREQ, and /INT0 signals are inactive. The CPU acknowledges these interrupt requests with an interrupt acknowledge cycle. Unlike the acknowledgment for /INT0, during this cycle neither the /M1 or /IORQ signals become active. These pins may be programmed to provide an active Low level on rising or falling edge interrupts. The level of the external /INT1 and /INT2 pins may be read through bits PC6 and PC7 of parallel Port C. Pin /INT1/PC6 multiplexes /INT1 and PC6. Pin /INT2/PC7 multiplexes /INT2 and PC7.

**/RFSH.** *Refresh (input/output, active Low, tri-state).* Together with /MREQ, /RFSH indicates that the current CPU machine cycle and the contents of the address bus should be used for refresh of dynamic memories. The low order 8 bits of the address bus (A7-A0) contain the refresh address. This signal is analogous to the /REF signal of the Z64180.

## Z180 MPU UART AND SIO SIGNALS

**CKA0, CKA1.** *Asynchronous Clocks 0 and 1 (bi-directional, active High).* These pins are the transmit and receive clocks for the synchronous channels. CKA0 is multiplexed with /DREQ0 on the CKA0//DREQ0 pin. CKA1 is multiplexed with /TEND0 on the CKA1//TEND0 pin.

**CKS.** *Serial Clock (bi-directional, active High).* This line is clock for the CSIO channel and is multiplexed with the ESCC signal (/W//REQB) and the 16550 MIMIC interface signal /HTxRDY on the CKS//W//REQB//HTxRDY pin.

**/DCD0.** *Data Carrier Detect 0 (input, active Low).* This is a programmable modem control signal for ASCII channel 0. /DCD0 is multiplexed with the PB2 (parallel Port B, bit 2) on the /DCD0/PB2 pin.

**/RTS0.** *Request to Send 0 (output, active Low).* This is a programmable modem control signal for ASCII channel 0. This pin is multiplexed with PB0 (parallel Port B, bit 0) on the /RTS0/PB0 pin.

**/CTS0.** *Clear to Send 0 (input, active Low).* This line is a modem control signal for the ASCII channel 0. This pin is multiplexed with PB1 (parallel Port B, bit 1) on the /CTS0/PB1 pin.

**TxA0.** *Transmit Data 0 (output, active High).* This signal is the transmitted data from the ASCII channel 0. This pin is multiplexed with PB3 (parallel Port B, bit 3) on the TxA0/PB3 pin.

**TxS.** *Clocked Serial Transmit Data (output, active High).* This line is the transmitted data from the CSIO channel. TxS is multiplexed with the ESCC signal (/DTR//REQB) and the 16550 MIMIC interface signal HINTR on the TxS//DTR//REQB//HINTR pin.

**RxA0.** *Receive Data 0 (input, active High).* This signal is the receive data to ASCII channel 0. This pin is multiplexed with PB4 (parallel Port B, bit 4) on the RxA0/PB4.

**RxS.** *Clocked Serial Receive Data (input, active High).* This line is the receive data for the CSIO channel. RxS is multiplexed with the /CTS1 signal for ASCII channel 1 and with PB7 (parallel Port B, bit 7) on the RxS//CTS1/PB7 pin.

**RxA1.** *Received Data ASCII channel 1 (input, active High).* This pin is multiplexed with PB6 (parallel Port B, bit 6) on the RxA1/PB6 pin.

**TxA1.** *Transmitted Data ASCII Channel 1 (output, active High).* This pin is multiplexed with PB5 (parallel Port B, bit 5) on the TxA1/PB5 pin.

## Z180 MPU DMA SIGNALS

**/TEND0.** *Transfer End 0 (output, active Low).* This output is asserted active during the last write cycle of a DMA operation. It is used to indicate the end of the block transfer. /TEND0 is multiplexed with CKA1 on the CKA1//TEND0 pin.

**/TEND1.** *Transfer End 1 (output, active Low).* This output is asserted active during the last write cycle of a DMA operation. It is used to indicate the end of the block transfer. /TEND1 is multiplexed with the ESCC signal /RTSB and the 16550 MIMIC interface signal /HRxRDY on the /TEND1//RTSB//HRxRDY pin.

**/DREQ0.** *DMA request 0 (input, active Low).* /DREQ0 is used to request a DMA transfer from DMA channel 0. The DMA channel monitors the input to determine when an external device is ready for a read or write operation. This input can be programmed to be either level or edge sensed. /DREQ0 is multiplexed with CKA0 on the CKA0//DREQ0 pin.

**/DREQ1.** *DMA request 1 (input, active Low).* /DREQ1 is used to request a DMA transfer from DMA channel 1. The DMA channel monitors the input to determine when an external device is ready for a read or write operation. This input can be programmed to be either level or edge sensed.

---

## Z180™ MPU TIMER SIGNALS

**T<sub>OUT</sub>.** *Timer Out (output, active High).* T<sub>OUT</sub> is the pulse output from PRT channel 1. This line is multiplexed with A18 of the address bus on the A18/T<sub>OUT</sub> pin.

---

## Z85230 ESCC™ SIGNALS

**TxDA.** *Transmit Data (output, active High).* This output signal transmits channel A's serial data at standard TTL levels. This output can be tri-stated during power down modes.

**TxDB.** *Transmit Data (output, active High).* This output signal transmits channel B's serial data at standard TTL levels. In Z80182/Z8L182 mode 1, TxDB is multiplexed with the 16550 MIMIC interface /HDDIS signal on the TxDB//HDDIS pin.

**RxDA.** *Receive Data (inputs, active High).* These inputs receive channel A's serial data at standard TTL levels.

**RxDB.** *Receive Data (input, active High).* These inputs receive channel B's serial data at standard TTL levels. In Z80182/Z8L182 mode 1 RxDB is multiplexed with the 16550 MIMIC HA1 input on the RxDB//HA1 pin.

**/TRxCA.** *Transmit/Receive Clock (input or output, active Low).* The functions of this pin are under channel A program control. /TRxCA may supply the receive clock or the transmit clock in the Input mode or supply the output of the digital phase-locked loop, the crystal oscillator, the baud rate generator, or the transmit clock in the output mode.

**/TRxCB.** *Transmit/Receive Clock (input or output, active Low).* The functions of this pin are under channel B program

control. /TRxCB may supply the receive clock or the transmit clock in the input mode or supply the output of the Digital Phase-Locked Loop (DPLL), the crystal oscillator, the baud rate generator, or the transmit clock in output mode. In Z80182/Z8L182 mode 1 /TRxCB is multiplexed with the 16550 MIMIC interface HA0 input on the /TRxCB//HA0 pin.

**/RTxCA.** *Receive/Transmit Clock (input, active Low).* The functions of this pin are under channel A program control. In channel A, /RTxCA may supply the receive clock, the transmit clock, the clock for the baud rate generator, or the clock for the DPLL. This pin can also be programmed for use by the /SYNCA pin as a crystal oscillator. The receive clock may be 1, 16, 32, or 64 times the data rate in asynchronous mode.

**/RTxCB.** *Receive/Transmit Clock (input, active Low).* The functions of this pin are under channel B program control. In channel B, /RTxCB may supply the receive clock, the transmit clock, the clock for the baud rate generator, or the clock for the DPLL. This pin can also be programmed for use by the /SYNCB pin as a crystal oscillator. The receive clock may be 1, 16, 32, or 64 times the data rate in asynchronous mode. In Z80182/Z8L182 mode 1 the /RTxCB signal is multiplexed with 16550 MIMIC interface HA2 input on the /RTxCB//HA2 pin.



**Z85230 ESCC SIGNALS** (Continued)

**/SYNCA, /SYNCB.** *Synchronization (inputs/outputs, active Low).* These pins can act as either inputs, outputs, or as part of the crystal oscillator circuit. In the Asynchronous Receive mode (crystal oscillator option not selected), these pins are inputs similar to /CTS and /DCD. In this mode, transitions on these lines affect the state of the Sync / Hunt status bits in Read Register 0, but have no other function. /SYNCA is also multiplexed with PC4 (parallel Port C, bit 4) on the /SYNCA/PC4 pin.

In External Synchronization mode with the crystal oscillator not selected, these lines also act as inputs. In this mode /SYNC must be driven Low two receive clock cycles after the last bit in the sync character is received. Character assembly begins on the rising edge of the receive clock immediately preceding the activation of /SYNC.

In the Internal Synchronization mode, (Monosync and Bisync) with the crystal oscillator not selected, these pins act as outputs and are active only during the part of the receive clock cycle in which sync characters are recognized. The sync condition is not latched, so these outputs are active each time a sync character is recognized (regardless of the character boundaries). In SDLC mode, these pins act as outputs and are valid on receipt of a flag. In Z80182/Z8L182 mode 1 the /SYNCB signal is multiplexed with the 16550 MIMIC interface /HCS input on the /SYNCB //HCS pin.

**/CTSA.** *Clear To Send (input, active Low).* If this pin is programmed as auto enable, a Low on this input enables the channel A transmitter. If not programmed as auto enable, it may be used as a general-purpose input. The input is Schmitt-trigger buffered to accommodate slow rise-time input. The ESCC™ detects transitions on this input and can interrupt the Z180™ MPU on either logic level transitions. /CTSA is multiplexed with PC1 (parallel Port C, bit 1) on the /CTSA/PC1 pin.

**/CTSB.** *Clear To Send (input, active Low).* This pin is similar to /CTSA's functionality but is applicable to the channel B transmitter. In Z80182/Z8L182 mode, the /CTSB signal is multiplexed with the 16550 MIMIC interface /HWR input on the /CTSB //HWR pin.

**/DCDA.** *Data Carrier Detect (input, active Low).* This pin functions as receiver enables if it is programmed as an auto enable bit; otherwise, it may be used as a general-purpose input pin. The pin is Schmitt-trigger buffered to accommodate slow rise-time signals. The ESCC detects transitions on this pin and can interrupt the Z180 MPU on either logic level transitions. /DCDA is also multiplexed with PC0 (parallel Port C, bit 0) on the /DCDA/PC0 pin.

**/DCDB.** *Data Carrier Detect (input, active Low).* This pin's functionality is similar to /DCDA but applicable to the channel B receiver. In Z80182/Z8L182 mode 1, /DCDB is multiplexed with the 16550 MIMIC interface /HRD input on the /DCDB//HRD pin.

**/RTSA.** *Request to Send (output, active Low).* When the Request to Send (RTS) bit in Write Register 5 channel A is set, the /RTSA signal goes Low. When the RTS bit is reset in the Asynchronous mode and auto enables is on, the signal goes High after the transmitter is empty. In Synchronous mode or in Asynchronous mode with auto enables off, the /RTSA pin strictly follows the state of the RTS bit. The pin can be used as general-purpose output. /RTSA is multiplexed with PC2 (parallel Port C bit 2). This /RTSA or PC2 combination is pin multiplexed with /MWR (active when both the internal /MREQ and /WR are active) on the /MWR/PC2//RTSA pin. The default function of this pin on power-up is /MWR which may be changed by programming bit 3 in the Interrupt Edge/Pin MUX Register (xxDFH).

**/RTSB.** *Request to Send (output, active Low).* This pin is similar in functionality as /RTSA but is applicable on channel B. The /RTSB signal is multiplexed with the Z180 MPU /TEND1 signal and the 16550 MIMIC interface /HRxRDY signal on the /TEND1//RTSB//HRxRDY pin.

**/DTR//REQA.** *Data Terminal Ready (output, active Low).* This pin functions as it is programmed into the DTR bit. It can also be used as general-purpose output (transmit) or as request lines for the DMA controller. The ESCC allows full duplex DMA transfers. /DTR//REQA is also multiplexed with PC3 (parallel Port C, bit 3) on the /DTR//REQA /PC3 pin.

**/DTR//REQB.** *Data Terminal Ready (output, active Low).* This pin functions as it is programmed into the DTR bit. It can also be used as general-purpose output (transmit) or as request lines for the DMA controller. The ESCC allows full duplex DMA transfers. The /DTR//REQB signal is multiplexed with the Z180 MPU TxS signal and the 16550 MIMIC interface HINTR signal on the /TxS//DTR//REQB //HINTR pin.

**/W//REQA.** *Wait/Request (output, open drain when programmed for the Wait function, driven High or Low when programmed for a Request function).* This dual-purpose output can be programmed as Request (receive) lines for a DMA controller or as Wait lines to synchronize the Z180 MPU to the ESCC data rate. The reset state is Wait. The ESCC allows full duplex DMA transfers. /W//REQA is also multiplexed with PC5 (parallel Port C, bit 5) on the /W//REQA/PC5 pin.



**/W//REQB.** *Wait/Request (output, open drain when programmed for the Wait function, driven High or Low when programmed for a Request function).* This pin is similar in functionality to /W//REQA but is applicable on

channel B. The /W//REQB signal is multiplexed with the Z180 MPU CKS signal and the 16550 MIMIC interface /HTxRDY signal on the CKS//W//REQB//HTxRDY pin.

---

## 16550 MIMIC INTERFACE SIGNALS

**HD7-HD0.** *Host Data Bus (input/output, tri-state).* In Z80182/Z8L182 mode 1, the host data bus is used to communicate between the 16550 MIMIC interface and the PC/XT/AT. It is multiplexed with the PA7-PA0 of parallel Port A when the Z80182/Z8L182 is in mode 0.

**/HDDIS.** *Host Driver Disable (output, active Low).* In Z80182/Z8L182 mode 1, this signal goes Low whenever the PC/XT/AT is reading data from the 16550 MIMIC interface. In Z80182/Z8L182 mode 0, this pin is multiplexed with the ESCC™ TxDB signal on the TxDB//HDDIS pin.

**HA2-HA0.** *Host Address (input).* In Z80182/Z8L182 mode 1, these pins are the address inputs to the 16550 MIMIC interface. This address determines which register the PC/XT/AT accesses. HA0 is multiplexed with /TRxCB on the /TRxCB/HA0 pin; HA1 is multiplexed with RxDB on the RxDB/HA1 pin; HA2 is multiplexed with /RTxCB on the /RTxCB/HA2 pin.

**/HCS.** *Host Chip Select (input, active Low).* In Z80182/Z8L182 mode 1, this input is used by the PC/XT/AT to select the 16550 MIMIC interface for an access. In Z80182/Z8L182 mode 0, it is multiplexed with the ESCC /SYNCB signal on the SYNCB//HCS pin.

**/HWR.** *Host Write (Input, active Low).* In Z80182/Z8L182 mode 1, this input is used by the PC/XT/AT to signal the 16550 MIMIC interface that a write operation is taking place. In Z80182/Z8L182 mode 0, this input is multiplexed with the ESCC /CTSB signal on the /CTSB//HWR pin.

**/HRD.** *Host Read (input, active Low).* In Z80182/Z8L182 mode 1, this input is used by the PC/XT/AT to signal the 16550 MIMIC interface that a read operation is taking place. In Z80182/Z8L182 mode 0, this pin is multiplexed with the ESCC /DCDB signal on the /DCDB//HRD pin.

**HINTR.** *Host Interrupt (output, active High).* In Z80182/Z8L182 mode 1, this output is used by the 16550 MIMIC interface to signal the PC/XT/AT that an interrupt is pending. In Z80182/Z8L182 mode 0, this pin is multiplexed with the ESCC (/DTR//REQB) signal and the Z180 MPU TxS signal on the TxS//DTR//REQB//HINTR pin.

**/HTxRDY.** *Host Transmit Ready (output, active Low).* In Z80182/Z8L182 mode 1, this output is used by the 16550 MIMIC in DMA mode to signal the PC/XT/AT that the Transmit Holding Register is empty. In Z80182/Z8L182 mode 0, this pin is multiplexed with the ESCC (/W//REQB) signal and the Z180 MPU CKS signal on the CKS//W//REQB//HTxRDY pin.

**/HRxRDY.** *Host Receive Ready (output, active Low).* In Z80182/Z8L182 mode 1, this output is used by the 16550 MIMIC interface in DMA mode to signal the PC/XT/AT that a data byte is ready in the Receive Buffer. In Z80182/Z8L182 mode 0, this pin is multiplexed with the ESCC /RTSB signal and the Z180 MPU /TEND1 signal on the /TEND1/RTSB /HRxRDY pin.

---

## PARALLEL PORTS

**PA7-PA0.** *Parallel Port A (input/output).* These lines can be configured as inputs or outputs on a bit-by-bit basis when the Z80182/Z8L182 is operated in mode 0. These pins are multiplexed with the HD7-HD0 when the Z80182/Z8L182 is in mode 1.

**PB7-PB0.** *Parallel Port B (input/output).* These lines can be configured as inputs or outputs on a bit-by-bit basis when the Port function is selected in the System Configuration register. The pins are multiplexed with the following Z180 peripheral functions: /RTS0, /CTS0, /DCD0, TxA0, RxA0, TxA1, RxA1, (RxS//CTS1).

**PC7-PC0.** *Parallel Port C (input/output).* These lines can be configured as inputs or outputs on a bit-by-bit basis for bits PC5-PC0. Bits PC7 and PC6 are input only and read the level of the external /INT2 and /INT1 pins. When /INT2 and/or /INT1 are in edge capture mode, writing a 1 to the respective PC7, PC6 bit clears the interrupt capture latch; writing a 0 has no effect. Bits PC5-PC0 are multiplexed with the following pins from ESCC channel A: (/W//REQA), /SYNCA, (/DTR//REQA), /RTSA, /MWR, /CTSA, /DCDA. The Port function is selected through a bit in the System Configuration Register.

## EMULATION SIGNALS

**EV1, EV2.** *Emulation Select (input).* These two pins determine the emulation mode of the Z180 MPU (Table 1).

**Table 1. Evaluation Modes**

Mode	EV2	EV1	Description
0	0	0	Normal mode, on-chip Z180 bus master
1	0	1	Emulation Adapter Mode
2	1	0	Emulator Probe Mode
3	1	1	Reserved for Test

## SYSTEM CONTROL SIGNALS

**ST.** *Status (output, active High).* This signal is used with the /M1 and /HALT output to decode the status of the CPU machine cycle. If unused, this pin should be pulled to  $V_{DD}$ .

**/RESET.** *Reset Signal (input, active Low).* /RESET signal is used for initializing the MPU and other devices in the system. It must be kept in the active state for a period of at least three system clock cycles.

**IEI.** *Interrupt Enable Signal (input, active High).* IEI is used with the IEO to form a priority daisy chain when there is more than one interrupt-driven peripheral.

**IEO.** *Interrupt Enable Output Signal (output, active High).* In the daisy-chain interrupt control, IEO controls the interrupt of external peripherals. IEO is active when IEI is 1 and the CPU is not servicing an interrupt from the on-chip peripherals. This pin is multiplexed with /IOCS on the /IOCS/IEO pin. The /IOCS function is the default on Power On or Reset conditions and is changed by programming bit 2 in the Interrupt Edge/Pin MUX Register.

**/IOCS.** *Auxiliary Chip Select Output Signal (output, active Low).* This pin is multiplexed with /IEO on the /IOCS/IEO pin. /IOCS is an auxiliary chip select that decodes A7, A6, /IORQ, /M1 and effectively decodes the address space xx80H to xxBFH for I/O transactions. A15 through A8 are not decoded so that the chip select is active in all pages of I/O address space. The /IOCS function is the default on the /IOCS/IEO pin after Power On or Reset conditions and is changed by programming bit 2 in the Interrupt Edge/Pin MUX Register.

**/RAMCS.** *RAM Chip Select (output, active Low).* Signal used to access RAM based upon the Address and the RAMLBR and RAMUBR registers and /MREQ.

**/ROMCS.** *ROM Chip Select (output, active Low).* Signal used to access ROM based upon the address and the ROMBR register and /MREQ.

**E.** *Enable Clock (output, active High).* Synchronous machine cycle clock output during bus transactions.

**XTAL.** *Crystal (input, active High).* Crystal oscillator connection. This pin should be left open if an external clock is used instead of a crystal. The oscillator input is not a TTL level (reference DC characteristics).

**EXTAL.** *External Clock/Crystal (input, active High).* Crystal oscillator connections to an external clock can be input to the Z80180 on this pin when a crystal is not used. This input is Schmitt triggered.

**PHI.** *System Clock (output, active High).* The output is used as a reference clock for the MPU and the external system. The frequency of this output is reflective of the functional speed of the processor. In clock divide-by-two mode, the PHI frequency is half that of the crystal or input clock. If divide-by-one mode is enabled, the PHI frequency is equivalent to that of crystal or input frequency. The PHI frequency is also fed to the ESCC core. If running over 20 MHz (5V) or 10 MHz (3V) the PHI-ESCC frequency divider should be enabled to divide the PHI clock by two prior to feeding into the ESCC core.

## MULTIPLEXED PIN DESCRIPTIONS

**A18/T<sub>OUT</sub>**. During Reset, this pin is initialized as an A18 pin. If either TOC1 or TOC0 bit of the Timer Control Register (TCR) is set to 1, The T<sub>OUT</sub> function is selected. If TOC1 and TOC0 bits are cleared to 0, the A18 function is selected.

In normal user mode (on-chip bus master), the A18 signal for the chip select logic is obtained from the CPU before the external pin is muxed as A18/T<sub>OUT</sub>. Therefore, the selection of T<sub>OUT</sub> will not affect the operation of the 182 chip select logic. However, in adapter mode (off-chip bus master), the A18 signal MUST be provided by the external bus master.

**CKA0/DREQ0**. During Reset, this pin is initialized as CKA0 pin. If either DM1 or SM1 in the DMA Mode Register (DMODE) is set to 1, /DREQ0 function is always selected.

**CKA1/TEND0**. During Reset, this pin is initialized as CKA1 pin. If CKA1D bit in the ASCI control register Ch1(CNTLA1) is set to 1, /TEND0 function is selected. If CKA1D bit is set to 0, CKA1 function is selected.

**RxS//CTS1**. During Reset, this pin is initialized as the RxS pin. If CTS1E bit in the ASCI status register Ch1 (STAT1) is set to 1, /CTS1 function is selected. If CTS1E bit is set to 0, RxS function is selected. This pin is also multiplexed with PB7 based on bit 6 in the System Configuration Register.

The pins below are triple-multiplexed based upon the values of bit 1 and bit 2 of the System Configuration Register. The pins are configured as Table 2 specifies. On Reset, both bits 1 and 2 are 0, so /TEND1,TxS,CKS are selected.

**Table 2. Triple Multiplexed Pins**

Bit 1	Bit 2	Master Configuration Register
0	0	/TEND1,TxS,CKS
0	1	/RTSB,/DTR//REQB,/W//REQB
1	0	/TEND1,TxS,CKS
1	1	/HRxRDY,//HTxRDY,HINTR

The pins below are multiplexed based upon the value of bit 1 of the System Configuration register. If bit 1 is 0, then the Z80182/Z8L182 Mode 0 (non-16550 MIMIC mode) signals are selected; if bit 1 is 1, then Z80182/Z8L182 Mode 1 (16550 MIMIC mode) signals are selected. On Reset, Z80182/Z8L182 Mode 0 is always selected as shown in Table 3.

**Table 3. Mode 0 and Mode 1 Multiplexed Pins**

Z80182/Z8L182 Mode 0	Z80182/Z8L182 Mode 1
TxDB	/HDDIS
RxDB	HA1
/TRxCB	HA0
/RTxCB	HA2
/SYNCB	/HCS
/CTSB	/HWR
/DCDB	/HRD
PA7-PA0	HD7-HD0

## Ports B and C Multiplexed Pin Descriptions

Ports B and C are pin multiplexed with the Z180 ASCI functions and part of ESCC channel A. The MUX function is controlled by bits 7-5 in the System Configuration Register. The MUX is organized as shown in Table 4.

**Table 4. Multiplexed Port Pins**

Port Mode Function	ASCI/ESCC Mode Function
PB7	RxS,/CTS1
PB6 Select with bit 6=1	RxA1
PB5 System Config Reg.	TxA1
PB4	RxA0
PB3	TxA0
PB2 Select with bit 5=1	/DCD0
PB1 System Config Reg.	/CTS0 (Note 1)
PB0	/RTS0
PC7	Always Reads /INT2 Ext. Status
PC6	Always Reads /INT1 Ext. Status
PC5	/W//REQA
PC4	/SYNCA
PC3 Select with bit 7=1	/DTR//REQA
PC2 System Config Reg.	/RTSA (Note 2)
PC1	/CTSA
PC0	/DCDA

### Note 1:

When the Port function (PB1) is selected, the internal Z180/CTS0 is always driven Low. This ensures that the ASCI channel 0 of the Z180™ MPU is enabled to transmit data.

### Note 2:

Interrupt Edge /Pin MUX register, bit 3 chooses between the /MWR or PC2//RTSA combination; the System Configuration Register bit 7 chooses between PC2 and /RTSA.

Refer to Table 5 for the 1st, 2nd and 3rd pin functions.

Table 5. Primary, Secondary and Tertiary Pin Functions

Pin Number	1st Function	2nd Function	3rd Function	MUX Control
VQFP	QFP			
1	4	ST		
2	5	A0		
3	6	A1		
4	7	A2		
5	8	A3		
6	9	A4		
7	10	A5		
8	11	A6		
9	12	A7		
10	13	A8		
11	14	A9		
12	15	A10		
13	16	A11		
14	17	A12		
15	18	V <sub>SS</sub>		
16	19	A13		
17	20	A14		
18	21	A15		
19	22	A16		
20	23	A17		
21	24	A18/T <sub>OUT</sub>		
22	25	V <sub>DD</sub>		
23	26	A19		
24	27	D0		
25	28	D1		
26	29	D2		
27	30	D3		
28	31	D4		
29	32	D5		
30	33	D6		
31	34	D7		
32	35	/RTS0	PB0	SYS CONF REG Bit 5
33	36	/CTS0	PB1	SYS CONF REG Bit 5
34	37	/DCD0	PB2	SYS CONF REG Bit 5
35	38	TxA0	PB3	SYS CONF REG Bit 5
36	39	RxA0	PB4	SYS CONF REG Bit 5
37	40	TxA1	PB5	SYS CONF REG Bit 6
38	41	RxA1	PB6	SYS CONF REG Bit 6
39	42	RxS//CTS1	PB7	SYS CONF REG Bit 6
40	43	CKA0//DREQ0		

**MULTIPLEXED PIN DESCRIPTIONS** (Continued)**Table 5. Primary, Secondary and Tertiary Pin Functions** (Continued)

Pin Number	1st Function	2nd Function	3rd Function	MUX Control
VQFP	QFP			
41	44	V <sub>SS</sub>		
42	45	CKA1//TEND0		
43	46	TxS	/DTR//REQB	HINTR
44	47	CKS	/W//REQB	/HTxRDY
45	48	/DREQ1		
46	49	V <sub>DD</sub>		
47	50	/TEND1	/RTSB	/HRxRDY
48	51	/RAMCS		
49	52	/ROMCS		
50	53	EV1		
51	54	EV2		
52	55	PA0	HD0	SYS CONF REG Bit 1
53	56	PA1	HD1	SYS CONF REG Bit 1
54	57	PA2	HD2	SYS CONF REG Bit 1
55	58	PA3	HD3	SYS CONF REG Bit 1
56	59	PA4	HD4	SYS CONF REG Bit 1
57	60	PA5	HD5	SYS CONF REG Bit 1
58	61	PA6	HD6	SYS CONF REG Bit 1
59	62	PA7	HD7	SYS CONF REG Bit 1
60	63	/W//REQA	PC5	SYS CONF REG Bit 7
61	64	/DTR//REQA	PC3	SYS CONF REG Bit 7
62	65	/MWR	PC2	RTSA
63	66	/CTSA	PC1	SYS CONF REG Bit 7
64	67	/DCDA	PC0	SYS CONF REG Bit 7
65	68	/SYNCA	PC4	SYS CONF REG Bit 7
66	69	/RTxCA		
67	70	V <sub>SS</sub>		
68	71	/IOCS	IEO	INT EDG/PIN REG Bit 2
69	72	IEI		
70	73	V <sub>DD</sub>		



Table 5. Primary, Secondary and Tertiary Pin Functions (Continued)

Pin Number	1st	2nd	3rd	MUX
VQFP	Function	Function	Function	Control
71	RxDA			
72	/TRxCA			
73	TxDA			
74	/DCDB	/HRD		SYS CONF REG Bit 1
75	/CTSB	/HWR		SYS CONF REG Bit 1
76	TxDB	/HDDIS		SYS CONF REG Bit 1
77	/TRxCB	HA0		SYS CONF REG Bit 1
78	RxDB	HA1		SYS CONF REG Bit 1
79	/RTxCB	HA2		SYS CONF REG Bit 1
80	/SYNCB	/HCS		SYS CONF REG Bit 1
81	/HALT			
82	/RFSH			
83	/IORQ			
84	/MRD	/MREQ		INT EDG/PIN REG Bit 3
85	E			
86	/M1			
87	/WR			
88	/RD			
89	PHI			
90	V <sub>ss</sub>			
91	XTAL			
92	EXTAL			
93	/WAIT			
94	/BUSACK			
95	/BUSREQ			
96	/RESET			
97	/NMI			
98	/INT0			
99	/INT1	PC6**		
100	/INT2	PC7**		

**Notes:**

\* Also controlled by Interrupt Edge/Pin MUX Register

\*\* PC7 and PC6 are inputs only and can read values of /INT1 and /INT2.

**Z80182/Z8L182 FUNCTIONAL DESCRIPTION**

Functionally, the on-chip Z182 MPU and ESCC™ are the same as the discrete devices (Figure 1). Therefore, for a detailed description of each individual unit, refer to the

Product Specification/Technical Manuals of each discrete product. The following subsections describe each of the individual units of the Z182.

**Z182 MPU FUNCTIONAL DESCRIPTION**

This unit provides all the capabilities and pins of the Zilog Z8S180 MPU (Static Z80180 MPU). Figure 4 shows the S180 MPU Block Diagram of the Z182. This allows 100%

software compatibility with existing Z180™ (and Z80®) software. The following is an overview of the major functional units of the Z182.

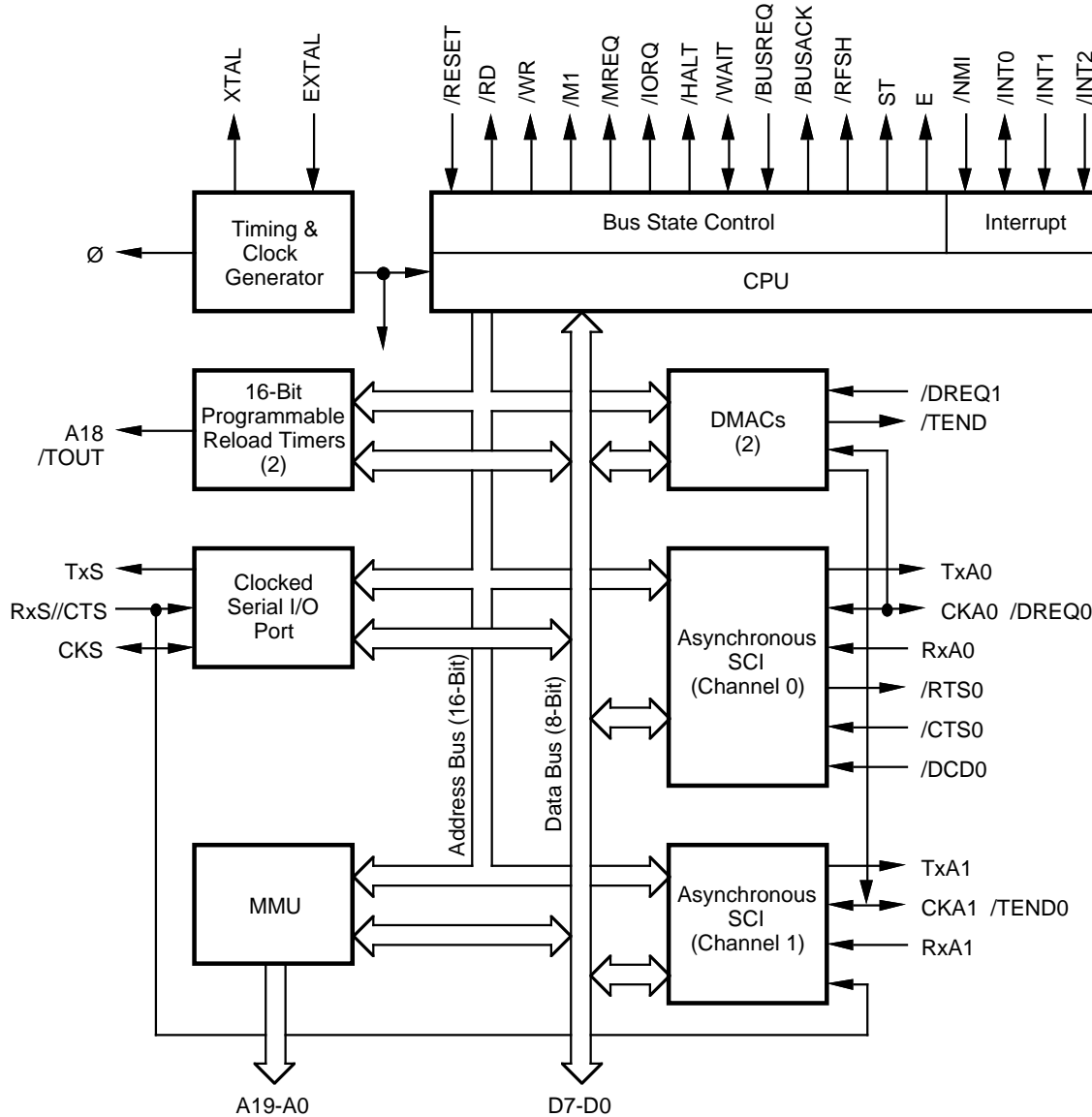


Figure 4. S180 MPU Block Diagram of Z182

**Z182 CPU**

The Z182 CPU is 100% software compatible with the Z80® CPU and has the following additional features:

**Faster Execution Speed.** The Z182 CPU is “fine tuned,” making execution speed, on average, 10% to 20% faster than the Z80 CPU.

**Enhanced DRAM Refresh Circuit.** Z182 CPU's DRAM refresh circuit does periodic refresh and generates an 8-bit refresh address. It can be disabled or the refresh period adjusted, through software control.

**Enhanced Instruction Set.** The Z182 CPU has seven additional instructions to those of the Z80 CPU, which include the MLT (Multiply) instruction.

**HALT and Low Power Modes of Operation.** The Z182 CPU has HALT and Low Power modes of operation, which are ideal for the applications requiring low power consumption like battery operated portable terminals.

**System Stop Mode.** When the Z182 is in System Stop mode, it is only the Z180 MPU that is in STOP mode.

**Standby and Idle Mode.** Please refer to the Z8S180 Product Specification for additional information on these two additional Low Power modes.

**Instruction Set.** The instruction set of the Z182 CPU is identical to the Z180. For more details about each transaction, please refer to the Product Specification/Technical Manual for the Z180/Z80 CPU.

**Z182 CPU Basic Operation**

Z182 CPU's basic operation consists of the following events. These are identical to the Z180 MPU. For more details about each operation, please refer to the Product Specification/Technical Manual for the Z180.

- Operation Code Fetch Cycle
- Memory Read/Write Operation
- Input/Output Operation
- Bus Request/Acknowledge Operation
- Maskable Interrupt Request Operation
- Trap and Non-Maskable Interrupt Request Operation
- HALT and Low Power Modes of Operation
- Reset Operation

**Memory Management Unit (MMU)**

The Memory Management Unit (MMU) allows the user to map the memory used by the CPU (64 Kbytes of logical addressing space) into 1 Mbyte of physical addressing space. The organization of the MMU allows object code compatibility with the Z80 CPU while offering access to an extended memory space. This is accomplished by using an effective common area-banked area scheme.

**DMA Controller**

The Z182 MPU has two DMA controllers. Each DMA controller provides high-speed data transfers between memory and I/O devices. Transfer operations supported are memory-to-memory, memory-to/from-I/O, and I/O-to-I/O. Transfer modes supported are request, burst, and cycle steal. The DMA can access the full 1 Mbytes addressing range with a block length up to 64 Kbytes and can cross over 64K boundaries.

**Asynchronous Serial Communication Interface (ASCI)**

This unit provides two individual full-duplex UARTs. Each channel includes a programmable baud rate generator and modem control signals. The ASCI channels also support a multiprocessor communication format.

**Programmable Reload Timer (PRT)**

The Z182 MPU has two separate Programmable Reload Timers, each containing a 16-bit counter (timer) and count reload register. The time base for the counters is system clock divided by 20. PRT channel 1 provides an optional output to allow for waveform generation.

**Clocked Serial I/O (CSI/O)**

The CSI/O channel provides a half-duplex serial transmitter and receiver. This channel can be used for simple high-speed data connection to another CPU or MPU.

**Programmable Wait State Generator**

To ease interfacing with slow memory and I/O devices, the Z182 MPU unit has a programmable wait state generator. By programming the DMA/WAIT Control Register (DCNTL), up to three wait states are automatically inserted in memory and I/O cycles. This unit also inserts wait states during on-chip DMA transactions. When using RAMCS and ROMCS wait state generators, the wait state controller with the most programmed wait states will determine the number of wait states inserted.

## Z85230 ESCC™ FUNCTIONAL DESCRIPTION

The Zilog Enhanced Serial Communication Controller ESCC™ is a dual channel, multiprotocol data communication peripheral. The ESCC functions as a serial-to-parallel, parallel-to-serial converter/controller. The ESCC can be software-configured to satisfy a wide variety of serial communications applications. The device contains a variety of new, sophisticated internal functions including on-chip baud rate generators, digital phase-lock loops, and crystal oscillators, which dramatically reduce the need for external logic.

The ESCC handles asynchronous formats, synchronous byte-oriented protocols such as IBM® Bisync, and synchronous bit-oriented protocols such as HDLC and IBM SDLC. This versatile device supports virtually any serial data transfer application (telecommunication, LAN, etc.)

The device can generate and check CRC codes in any synchronous mode and can be programmed to check data integrity in various modes. The ESCC also has facilities for modem control in both channels in applications where these controls are not needed, the modem controls can be used for general-purpose I/O.

With access to 14 Write registers and 7 Read registers per channel (number of the registers varies depending on the version), the user can configure the ESCC to handle all synchronous formats regardless of data size, number of stop bits, or parity requirements. The ESCC also accommodates all synchronous formats including character, byte, and bit-oriented protocols.

Within each operating mode, the ESCC also allows for protocol variations by checking odd or even parity bits, character insertion or deletion, CRC generation, checking break and abort generation and detection, and many other protocol-dependent features.

The ESCC (Enhanced SCC) is pin and software compatible to the CMOS SCC version. The following enhancements were made to the CMOS SCC:

- Deeper Transmit FIFO (4 bytes)
- Deeper Receive FIFO (8 bytes)
- Programmable FIFO interrupt and DMA request level
- Seven enhancements to improve SDLC link layer supports:
  - Automatic transmission of the opening flag
  - Automatic reset of Tx Underrun/EOM latch
  - Deactivation of /RTS pin after closing flag
  - Automatic CRC generator preset
  - Complete CRC reception
  - TxD pin automatically forced High with NRZI encoding when using mark idle
  - Status FIFO handles better frames with an ABORT
  - Receive FIFO automatically unlocked for special receive interrupts when using the SDLC status FIFO
- Delayed bus latching for easier microprocessor interface
- New programmable features added with Write Register 7' (WR seven prime)
- Write registers, 3, 4, 5 and 10 are now readable
- Read register 0 latched during access
- DPLL counter output available as jitter-free transmitter clock source
- Enhanced /DTR, /RTS deactivation timing

The following features are common to both the ESCC and the CMOS SCC:

- Two independent full-duplex channels
- Synchronous/Isochronous data rates:
  - Up to 1/4 of the PCLK using external clock source
  - Up to 5 Mbits/sec at 20 MHz PCLK (ESCC).
- Asynchronous capabilities
  - 5, 6, 7 or 8 bits/character (capable of handling 4 bits/character or less)
  - 1, 1.5, or 2 stop bits
  - Odd or even parity
  - Times 1, 16, 32 or 64 clock modes
  - Break generation and detection
  - Parity, overrun and framing error detection
- Byte oriented synchronous capabilities:
  - Internal or external character synchronization
  - One or two sync characters (6 or 8 bits/sync character) in separate registers
  - Automatic Cyclic Redundancy Check (CRC) generation/detection
- SDLC/HDLC capabilities:
  - Abort sequence generation and checking
  - Automatic zero insertion and detection
  - Automatic flag insertion between messages
  - Address field recognition
  - I-field residue handling
  - CRC generation/detection
  - SDLC loop mode with EOP recognition/loop entry and exit

- NRZ, NRZI or FM encoding/decoding. Manchester Code Decoding (Encoding with External Logic).
- Baud Rate Generator in each Channel
- Digital Phase-Locked Loop (DPLL) for Clock Recovery
- Crystal Oscillator

The following features are implemented in the ESCC™ for the Z80182/Z8L182 only:

- New 32-bit CRC-32 (Ethernet Polynomial)
- ESCC Programmable Clock
  - programmed to be equal to system clock divided by one or two
  - programmed by Z80182 Enhancement Register

**Note:** The ESCC™ programmable clock must be programmed to divide-by-two mode when operating above the following conditions:

- PHI > 20 MHz at 5.0V
- PHI > 10 MHz at 3.0V

### Z85230 ESCC™ BLOCK DIAGRAM

For a detailed description of the Z85230 ESCC, refer to the ESCC Technical Manual. The following figure is the block diagram of the discrete ESCC, which was integrated into the Z182. The /INT line is internally connected to "INTO of the Z182.

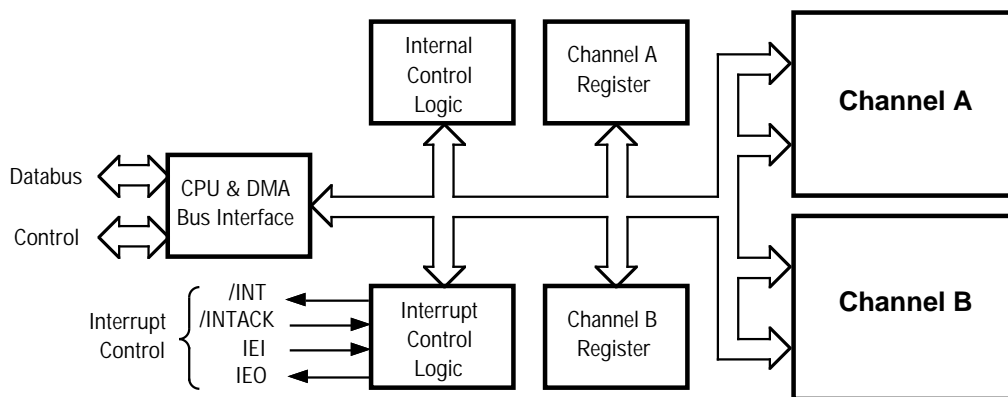
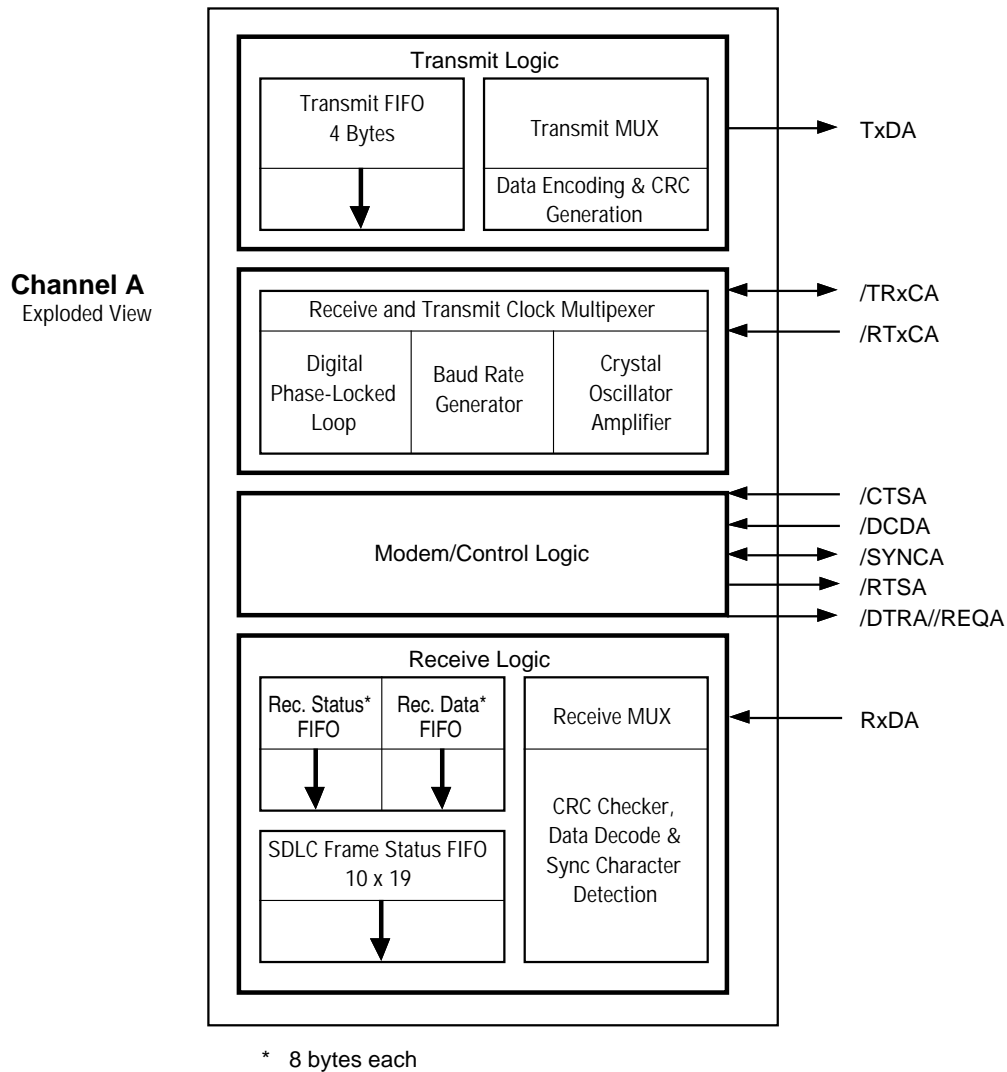


Figure 5. ESCC Block Diagram



## 16550 MIMIC INTERFACE FUNCTIONAL DESCRIPTION

The Z80182/Z8L182 has a 16550 MIMIC interface that allows it to mimic the 16550 device. It has all the interface pins necessary to connect to the PC/XT/AT bus. It contains the complete register set of the part with the same interrupt structure. The data path allows parallel transfer of data to and from the register set by the internal Z80180 of the Z80182/Z8L182. There is no shift register associated with the mimic of the 16550 UART. This interface saves the application from doing a serial transfer before performing data compression or error correction on the data.

Control of the register set is maintained by six priority encoded interrupts to the Z80182/Z8L182. When the PC/XT/AT writes to THR, MCR, LCR, DLL, DLM, FCR or reads the RBR, an interrupt to the Z80182/Z8L182 is generated. Each interrupt can be individually masked off or all interrupts can be disabled by writing a single bit. Both mode 0 and mode 2 interrupts are supported by the 16550 MIMIC interface.

Two eight-bit timers are also available to control the data transfer rate of the 16550 MIMIC interface. Their input is tied to the ESCC channel B divide clock, so a down count of 24 bits is possible. An additional two eight bit timers are available for programming the FIFO timeout feature (Four Character Time Emulation) for both Receive and Transmit FIFO's.

The 16550 MIMIC interface supports the PC/XT/AT interrupt structure as well as an additional mode that allows for a wired Logic AND interrupt structure.

The 16550 MIMIC interface is also capable of high speed parallel DMA transfers by using two control lines and the transmit and receive registers of the 16550 MIMIC interface.

All registers of the 16550 MIMIC interface are accessible in any page of I/O space since only the lowest eight address lines are decoded. See Figure 6 for a block diagram of the 16550 MIMIC interface.

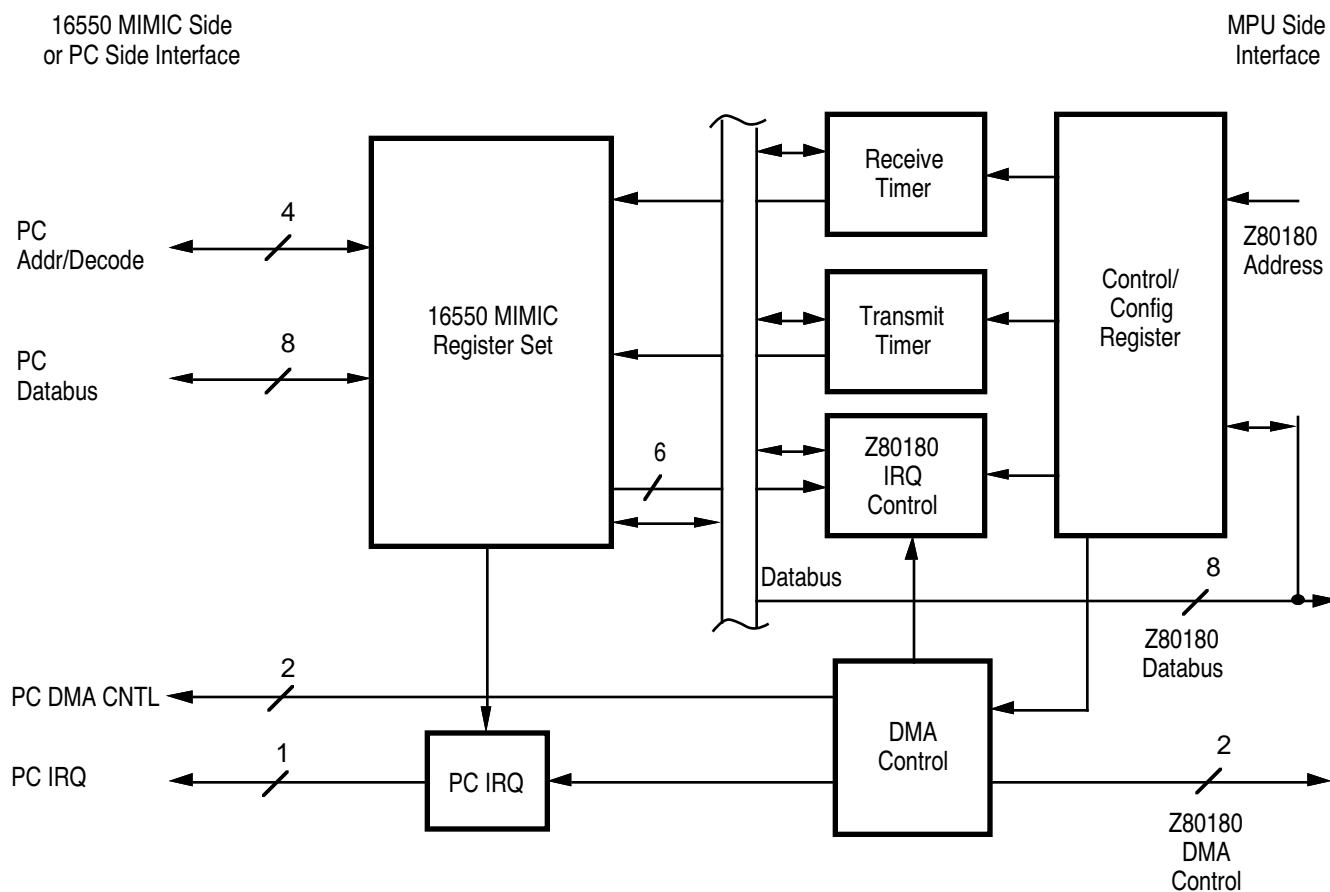


Figure 6. 16550 MIMIC Block Diagram

### 16550 MIMIC FIFO DESCRIPTION

The receiver FIFO consists of a 16-word FIFO capable of storing eight data bits and three error bits for each character stored (Figure 7). Parity error, Framing error and Break detect bits are stored along with the data bits by copying their value from three shadow bits that are Write Only bits for the Z80180 MPU LSR address. The three shadow bits are cleared after they are copied to the FIFO memory. In FIFO mode, to write error bits into the receiver FIFO, the MPU must first write the Parity, Framing and Break detect status to the Line Status Register (shadow bits) and then write the character associated into the receiver buffer. The data and error bits will then move into the same address in

the FIFO. The error bits become available to the PC side of the interface when that particular location becomes the next address to read (top of FIFO). At that time, they may either be read by the PC by accessing them in the LSR, or they may cause an interrupt to the PC interface if so enabled. The error bits are set by the error status of the byte at the top of the FIFO, but may only be cleared by reading the LSR. If successive reads of the receiver FIFO are performed without reading the LSR, the status bits will be set if any of the bytes read have the respective error bit set. See Table 6 for the setting and clearing of the Line Status Register bits.

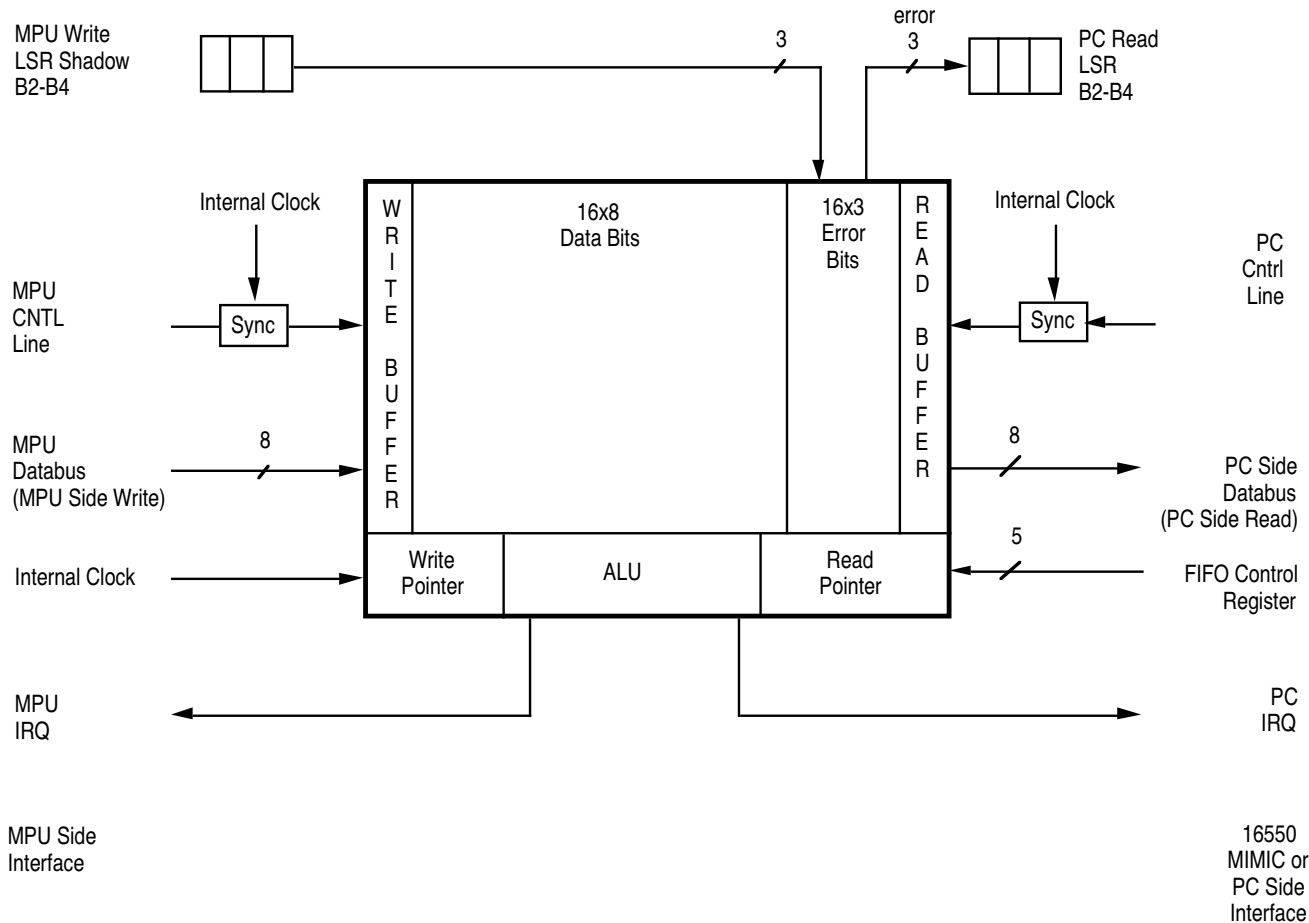


Figure 7. 16550 MIMIC Receiver FIFO Block Diagram

**Table 6. 16550 Line Status Register**

<b>Error</b>	<b>Description</b>	<b>How to Set</b>	<b>How to Clear</b>
Error in RCVR FIFO	At least one data byte available in FIFO with one error	At least one error in receiver FIFO	When there are no more errors
*TEMT	Transmitter empty	MPU writes a 1	MPU writes a 0
† *THRE	Transmitter holding register is empty	When MPU has read or emptied the holding register	When holding register is not empty
Break Detect	Break occurs when received data input is held in logic-0 for longer than a full word transmission	MPU writes 1	There is a PC-side read of the LSR
Framing Error	Received character did not have a valid stop bit	MPU writes 1	There is a PC-side read of the LSR
Parity Error	Received character did not have correct even or odd parity	MPU writes 1	There is a PC-side read of the LSR
Overrun Error	Overlapping received characters, thereby destroying the previous character	MPU makes two writes to receiver buffer register	There is a PC-side read of the LSR
†Data Ready	Indicates complete incoming data has been received	MPU writes to RCVR FIFO or receiver buffer register	Empty Receiver or Receiver FIFO

**Notes:**

- \* The TEMT and THRE bits take on different functions when TEMT/Double Buffer mode is enabled.
- † These signals are delayed to HOST when using character emulation delay.

**16550 MIMIC FIFO DESCRIPTION** (Continued)

The PC interface may be interrupted when 1, 4, 8 or 14 bytes are available in the receiver FIFO by setting bits 6 and 7 in the FCR (FIFO Control Register, PC address 02H) to the appropriate value. If the FIFO is not empty, but below the above trigger value, a timeout interrupt is available if the receiver FIFO is not written by the MPU or read by the PC from an interval determined by the Character Timeout Timer. This is an additional Timer with MPU access only that is used to emulate the 16550 4 character timeout delay.

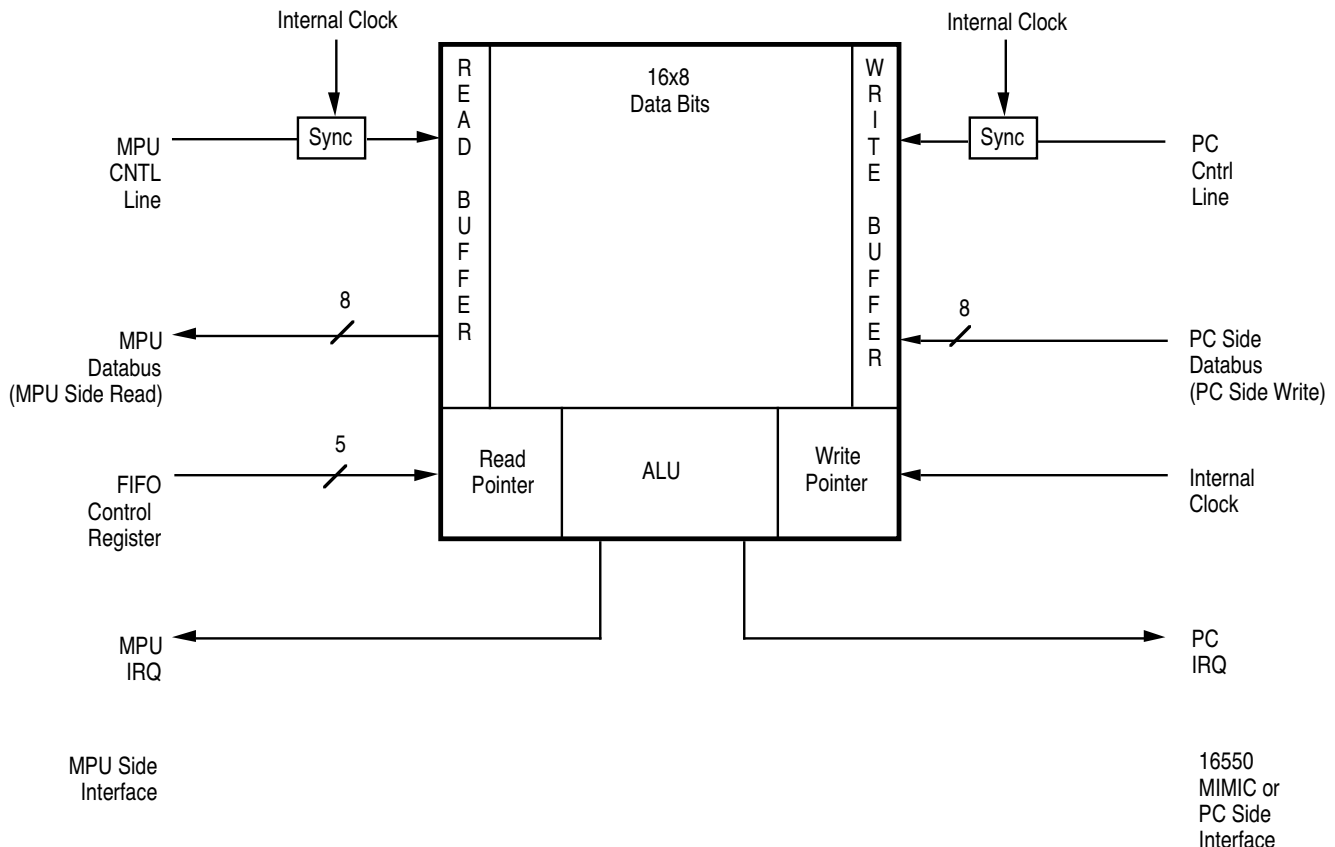
The Receive FIFO timeout timers are designed to reload and begin countdown after every read or write of the Rx FIFO, regardless of the Rx trigger level or number of bytes in the FIFO. Therefore, it is possible to get Timeout interrupts more often than Receive data interrupts. In order to closely emulate a 16550, a receive timeout timer enhancement is provided. When enabling this feature, the timeout timer will not begin counting down until the character emulation timer for each byte of data in the Rx FIFO has expired.

**Note: Enabling this feature will facilitate increased 16550 compatibility but may impede throughput.** If the Receive Timeout interrupt occurs, the PC HOST will only be allowed to read up to 4-5 consecutive characters before the Data Ready bit is forced to zero (even if there is still more data in FIFO). This is required to maintain character pacing.

The timer receives the ESCC /TRxCB as its input clock. Software must determine the correct values to program into the Receiver Timeout register and the ESCC TRxCB to achieve the correct delay interval for timeout. These interrupts are cleared by the FIFO reaching the trigger point or by resetting the Timeout Interval Timer by FIFO MPU write or PC read access.

With FIFO mode enabled, the MPU is interrupted when the receiver FIFO is empty, corresponding to bit 5 being set in the IUS/IP register (MPU access only). This bit corresponds to a PC read of the receive buffer in non-FIFO (16450) mode. The interrupt source is cleared when the FIFO becomes non-empty or the MPU reads the IUS/IP register.

The transmitter FIFO is 16-byte FIFO with PC write and MPU read access (Figure 8). In FIFO mode, the PC receives an interrupt when the transmitter becomes empty corresponding to bit 5 being set in the LSR. This bit and the interrupt source are cleared when the transmit FIFO becomes non-empty or the Interrupt Identification Register (IIR) register is read by the PC.



**Figure 8. 16550 MIMIC Transmitter FIFO Block Diagram**

On the MPU interface, the transmitted data available can be programmed to interrupt the MPU on 1, 4, 8 or 14 bytes of available data by seeing the appropriate value in the MPU FSCR control register (MPU write only xxECH) bits 6 and 7. A timeout feature exists, Transmit Timeout Timer,

which is an additional 8-bit timer with SCC TxRCB as the input source. If the transmitter FIFO is non-empty and no PC write or MPU read of the FIFO has taken place within the timer interval, a timeout occurs causing a corresponding interrupt to the MPU.

---

## Z80182/Z8L182 MIMIC SYNCHRONIZATION CONSIDERATIONS

Because of the asynchronous nature of the FIFO's on the MIMIC, some synchronization plan must be provided to prevent conflict from the dual port accesses of the MPU and the PC.

To solve this problem, I/O to the FIFO is buffered and the buffers allow both PC and MPU to access the FIFO asynchronously. Read and Write requests are then synchronized by means of the MPU clock. Incoming signals are buffered in such a way that metastable input levels are stabilized to valid 1 or 0 levels. Actual transfers to and from the buffers, from and to the FIFO memory, are timed by the MPU clock. ALU evaluation is performed on a different phase than the transfer to ensure stable pointer values.

Another potential problem is that of simultaneous access of the MPU and PC to any of the various 'mailbox' type registers. This is solved by dual buffering of the various read/write registers. During a read access by either the MPU or PC to a mailbox register, the data in the output or slave portion of the buffered register is not permitted to change. Any write that might take place during this time will be stored in the input of master part of the register. The corresponding status/interrupt is reset appropriately based on the write having followed the read to the register. For example, the IUS/IP bit for the LCR write will not be cleared by the MPU read of the LCR if a simultaneous write to the LCR by the PC takes place. Instead the LSR data will change after the read access and IUS/IP bit 3 remains at logic 1.

### Z80182 MIMIC DOUBLE BUFFERING FOR THE TRANSMITTER

The Z80182 Rev DA implements double buffering for the transmitter in 16450 mode and sets the TEMENT bit in the LSR Register automatically.

When this feature is enabled and character delay emulation is being used (see Figure 9):

1. The PC THRE bit in the LSR Register is set when the THR Register is empty;
2. PC Host writes to the 16450 THR Register;
3. Whenever the Z80182 TSR buffer is empty and one character delay timer is in a timed-out state, the byte from the THR Register is transferred to the TSR buffer; the timer is in timed-out state after FIFO Reset or after Host TEMENT is set. This allows a dual write to THR when Host TEMENT is set.
4. Restart character delay timer (timer reloads and counts down) with byte transfer from THR Register to the TSR buffer;
5. Whenever the TSR buffer is full, the TEMENT bit in MPU LSR Register is reset with no delay;

6. MPU reads TSR buffer;
7. TEMENT bit in LSR Register for MPU is set with no delay whenever the TSR buffer is empty;
8. When the TSR buffer is read by MPU and THR Register is empty and one character delay timer reaches zero, the TEMENT bit in the LSR Register for Host is set from 0 to 1.

The PC THRE bit in the LSR Register is reset whenever the THR Register is full and set whenever THR Register is empty.

MPU IREQ and DMA Request for the transmit data is trigger whenever TSR buffer is full and cleared whenever TSR buffer is empty.

If character delay emulation is not used the TEMENT bit in the LSR Register is set whenever both the THR Register and the TSR buffer are both empty. The Host TEMENT bit is clear if there is data in either the TSR buffer or THR Register.

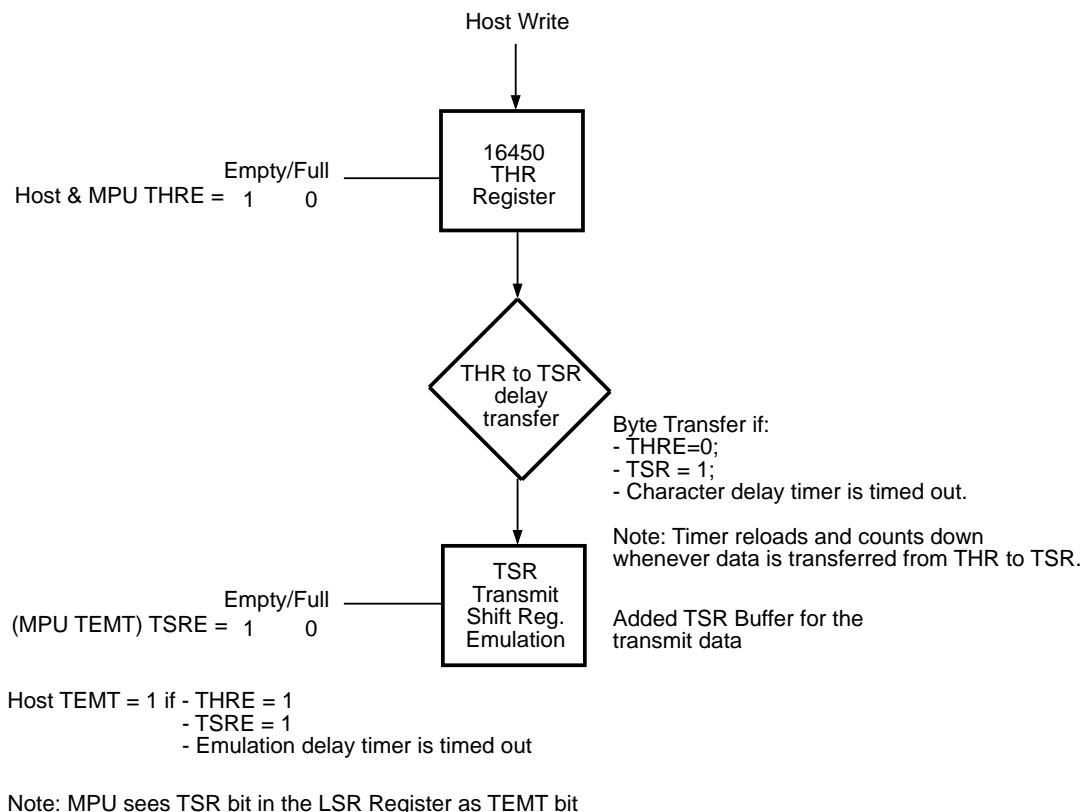


Figure 9. TEMENT Emulation Logic Implementation



## PARALLEL PORTS FUNCTIONAL DESCRIPTION

The Z80182/Z8L182 has three 8-bit bi-directional Ports. Each bit is individually programmable for input or output (with the exception of PC6 and PC7 which are inputs only).

The Ports are controlled through two registers: the Port Direction Control Register and the Port Data Register. (Please see register description for Ports A, B and C).

## PROGRAMMING

The following subsections explain and define the parameters for I/O Address assignments. The three tables in this section describe the mapping of the common registers shared by the MPU and the 16550 MIMIC. The MPU address refers to the I/O address as accessed from the MPU side (the Z180™ MPU interface side of the 16550 MIMIC). Note that only the lowest eight address lines are decoded for Z182 peripheral access. The full sixteen

address lines are decoded for on-chip Z180 MPU access. The PC address (coined because the UART is common in PCs) is the address needed to access the MIMIC registers through the MIMIC interface signals. The MIMIC interface signals are multiplexed with the ESCC channel B and the Port A signals, and must be activated through the System Configuration Register and the Interrupt Edge/Pin MUX Register.

**Table 7. Z80182/Z8L182 MPU Registers**

Register Name	MPU Addr	PC Addr
Z80182/Z8L182 MPU Control Registers	0000H to 00x3FH (Relocatable to 0040H to 007FH or 0080H to 00BFH)	None

**Note:**

“x” indicates don't care condition

**Table 8. Z80182/Z8L182 MIMIC Register MAP**

Register Name	MPU Addr/Access	PC Addr/Access
MMC MIMIC Master Control Register	xxFFH R/W	None
IUS/IP Interrupt Pending	xxFEH R/Wb7	None
IE Interrupt Enable	xxFDH R/W	None
IVEC Interrupt Vector	xxFCH R/W	None
TTCR Transmit Time Constant	xxFAH R/W	None
RTCR Receive Time Constant	xxFBH R/W	None
FSCR FIFO Status and Control	xxECH R/W7-4	None
RTTC Receive Timeout Time Constant	xxEAH R/W	None
TTTC Transmit Timeout Time Constant	xxEBH R/W	None
RBR Receive Buffer Register	xxF0H W only	00H DLAB=0 R only
THR Transmit Holding Register	xxF0H R only	00H DLAB=0 W only
IER Interrupt Enable Register	xxF1H R only	01H DLAB=0 R/W
IIR Interrupt Identification	None	02H R only
FCR FIFO Control Register	xxE9H R only	02H W only
MM REGISTER	XXE9H W only	None
LCR Line Control Register	xxF3H R only	03H R/W
MCR Modem Control Register	xxF4H R only	04H R/W
LSR Line Status Register	xxF5H R/Wb6432	05H R only
MSR Modem Status Register	xxF6H R/Wb7-4	06H R only
SCR Scratch Register	xxF7H R only	07H R/W
DLL Divisor Latch (LSByte)	xxF8H R only	00H DLAB=1 R/W
DLM Divisor Latch (MSByte)	xxF9H R only	01H DLAB=1 R/W

**PROGRAMMING** (Continued)**Table 9. Z80182/Z8L182 ESCC, PIA and MISC Registers**

<b>Register Name</b>	<b>MPU Addr/Access</b>		<b>PC Addr/Access</b>
WSG Chip Select Register	xxD8H	R/W	None
Z80182 Enhancements Register	xxD9H	R/W	None
PC Data Direction Register	xxDDH	R/W	None
PC Data Register	xxDEH	R/W	None
Interrupt Edge/Pin MUX Control	xxDFH	R/W	None
ESCC Chan A Control Register	xxE0H	R/W	None
ESCC Chan A Data Register	xxE1H	R/W	None
ESCC Chan B Control Register	xxE2H	R/W	None
ESCC Chan B Data Register	xxE3H	R/W	None
PB Data Direction Register	xxE4H	R/W	None
PB Data Register	xxE5H	R/W	None
RAMUBR RAM Upper Boundary Register	xxE6H	R/W	None
RAMLBR RAM Lower Boundary Register	xxE7H	R/W	None
ROM Address Boundary Register	xxE8H	R/W	None
PA Data Direction Register	xxEDH	R/W	None
PA Data Register	xxEEH	R/W	None
System Configuration Register	xxEFH	R/W	None

## Z182 MPU CONTROL REGISTERS

Figures 10 through 50 refer to the Z80182/Z8L182 MPU Control registers. For additional information, refer to the Z8S180 Product Specification and Technical Manual.

## ASCII CHANNELS CONTROL REGISTERS

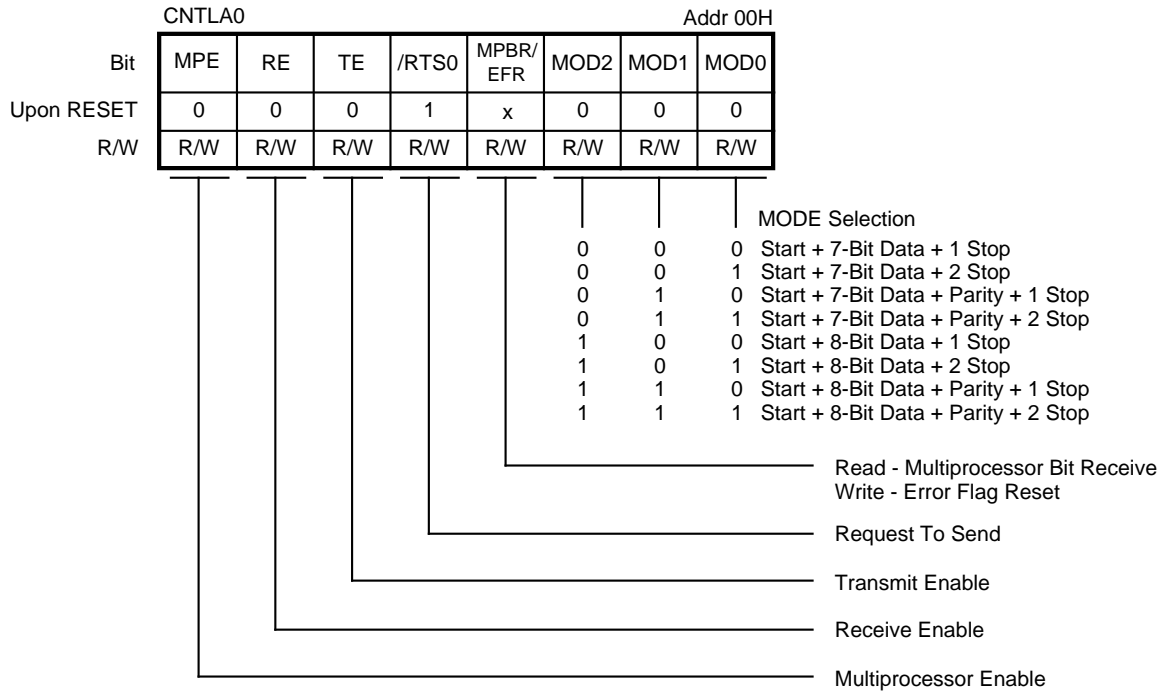
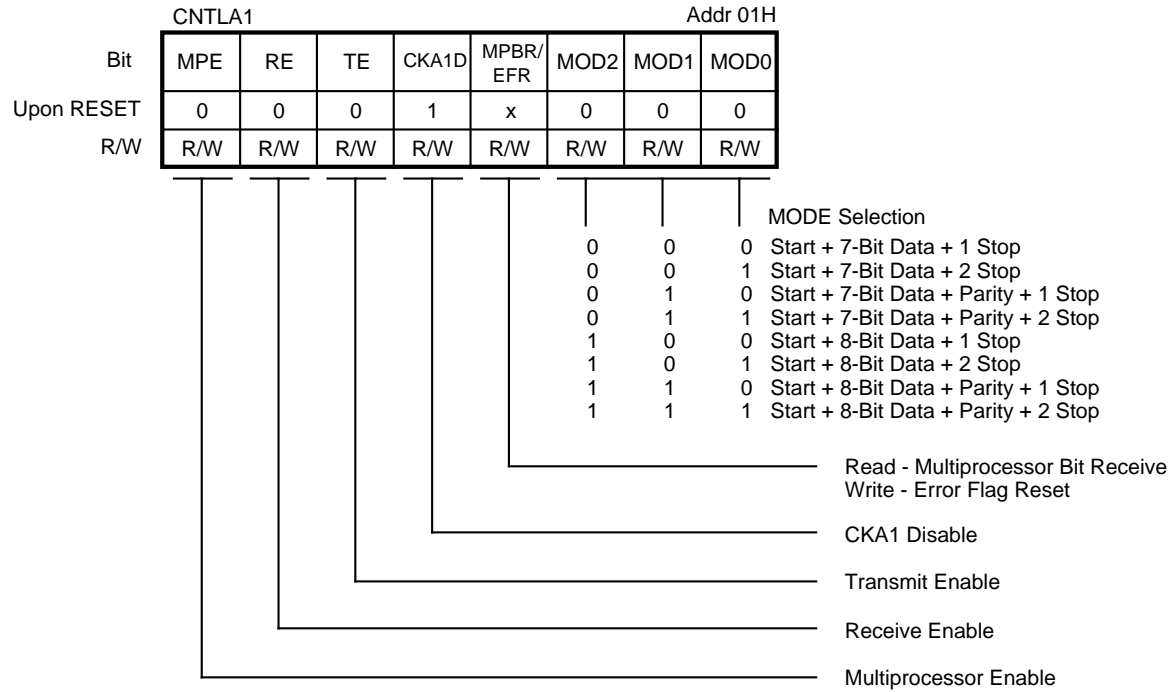
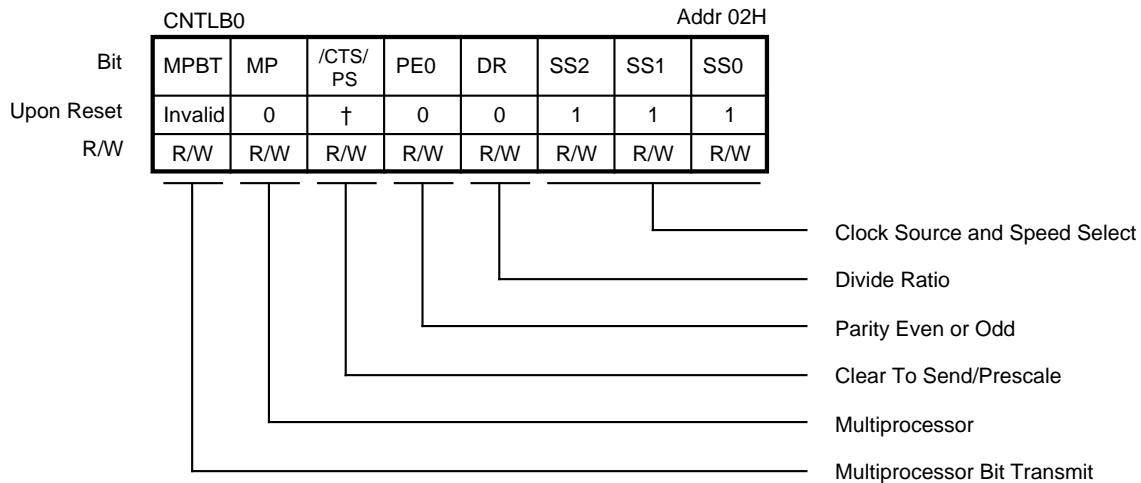


Figure 10a. ASCII Control Register A (Ch. 0)

**ASCII CHANNELS CONTROL REGISTERS** (Continued)



**Figure 10b. ASCII Control Register A** (Ch. 1)

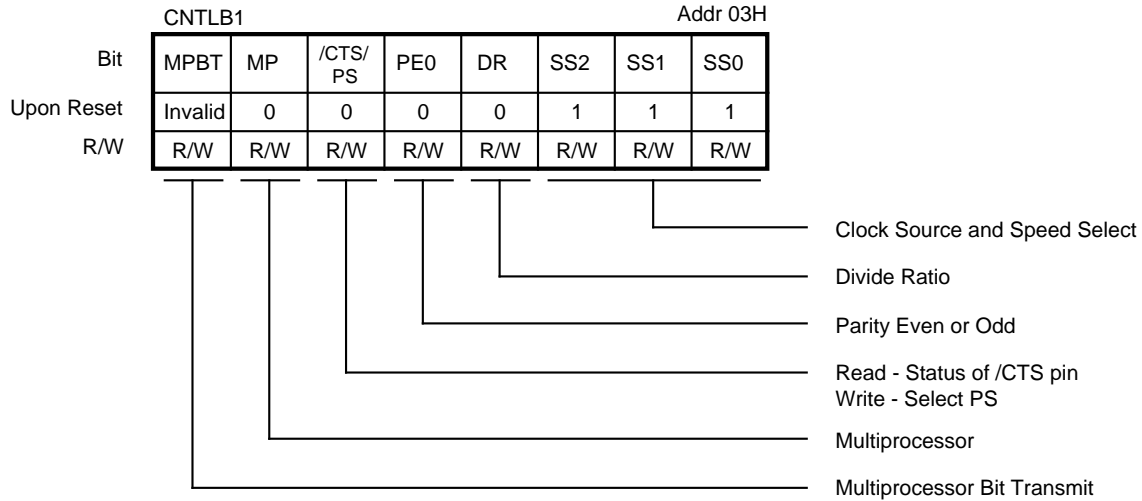


† /CTS - Depending on the condition of /CTS pin.  
PS - Cleared to 0.

General Divide Ratio	PS = 0 (Divide Ratio = 10)		PS = 1 (Divide Ratio = 30)		
	SS, 2, 1, 0	DR = 0 (x16)	DR = 1 (x64)	DR = 0 (x16)	DR = 1 (x64)
000		$\emptyset \div 160$	$\emptyset \div 640$	$\emptyset \div 480$	$\emptyset \div 1920$
001		$\emptyset \div 320$	$\emptyset \div 1280$	$\emptyset \div 960$	$\emptyset \div 3840$
010		$\emptyset \div 640$	$\emptyset \div 2580$	$\emptyset \div 1920$	$\emptyset \div 7680$
011		$\emptyset \div 1280$	$\emptyset \div 5120$	$\emptyset \div 3840$	$\emptyset \div 15360$
100		$\emptyset \div 2560$	$\emptyset \div 10240$	$\emptyset \div 7680$	$\emptyset \div 30720$
101		$\emptyset \div 5120$	$\emptyset \div 20480$	$\emptyset \div 15360$	$\emptyset \div 61440$
110		$\emptyset \div 10240$	$\emptyset \div 40960$	$\emptyset \div 30720$	$\emptyset \div 122880$
111		External Clock (Frequency < $\emptyset \div 40$ )			

Figure 11. ASCI Control Register B (Ch. 0)

**ASCII CHANNELS CONTROL REGISTERS** (Continued)



General Divide Ratio SS, 2, 1, 0	PS = 0 (Divide Ratio = 10) DR = 0 (x16)	DR = 1 (x64)	PS = 1 (Divide Ratio = 30) DR = 0 (x16)	DR = 1 (x64)
000	$\emptyset \div 160$	$\emptyset \div 640$	$\emptyset \div 480$	$\emptyset \div 1920$
001	$\emptyset \div 320$	$\emptyset \div 1280$	$\emptyset \div 960$	$\emptyset \div 3840$
010	$\emptyset \div 640$	$\emptyset \div 2580$	$\emptyset \div 1920$	$\emptyset \div 7680$
011	$\emptyset \div 1280$	$\emptyset \div 5120$	$\emptyset \div 3840$	$\emptyset \div 15360$
100	$\emptyset \div 2560$	$\emptyset \div 10240$	$\emptyset \div 7680$	$\emptyset \div 30720$
101	$\emptyset \div 5120$	$\emptyset \div 20480$	$\emptyset \div 15360$	$\emptyset \div 61440$
110	$\emptyset \div 10240$	$\emptyset \div 40960$	$\emptyset \div 30720$	$\emptyset \div 122880$
*111	External Clock (Frequency < $\emptyset \div 40$ )			

**Note:**

\* Baud rate is external clock rate  $\div 16$ ; therefore,  $\emptyset \div (40 \times 16)$  is maximum baud rate using external clocking.

**Figure 12. ASCII Control Register B** (Ch. 1)

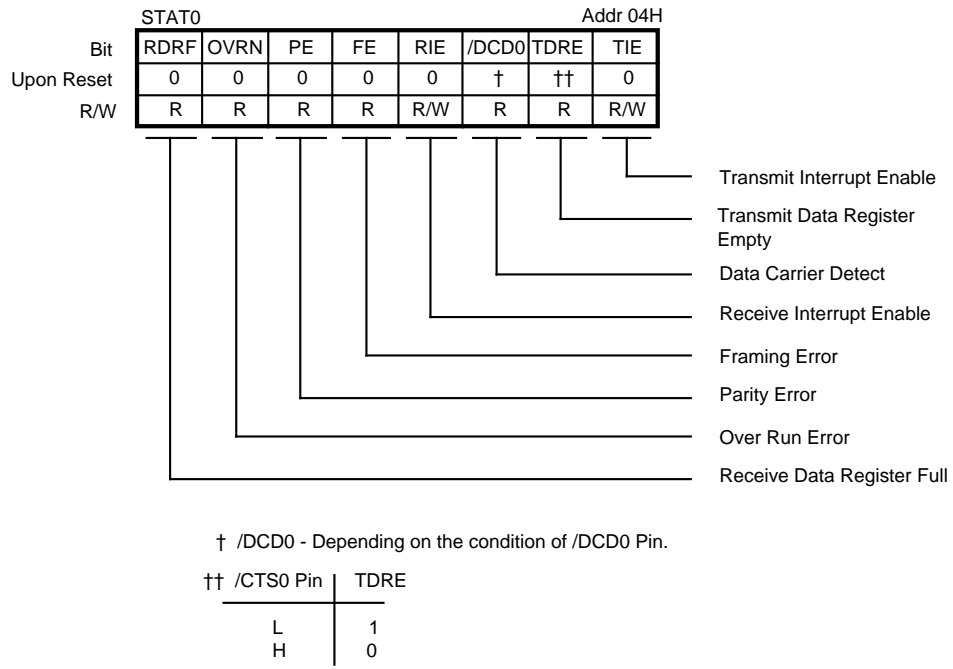


Figure 13. ASCI Status Register

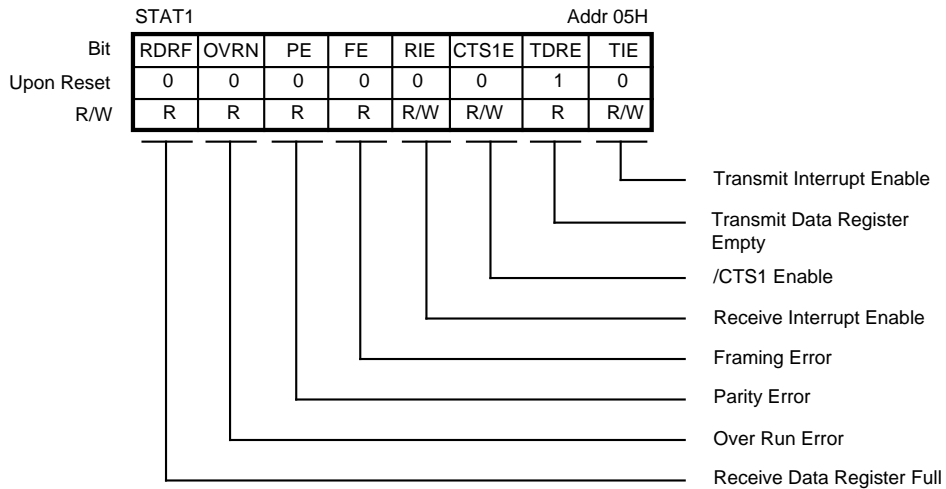
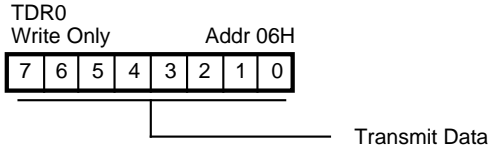
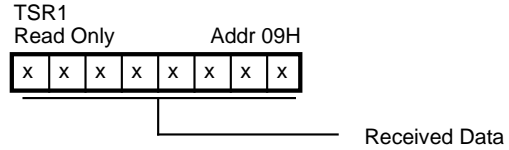


Figure 14. ASCI Status Register (Ch. 1)

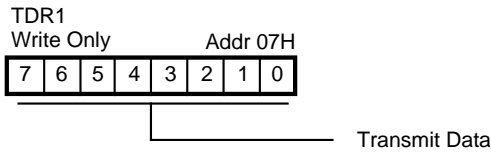
**ASCII CHANNELS CONTROL REGISTERS (Continued)**



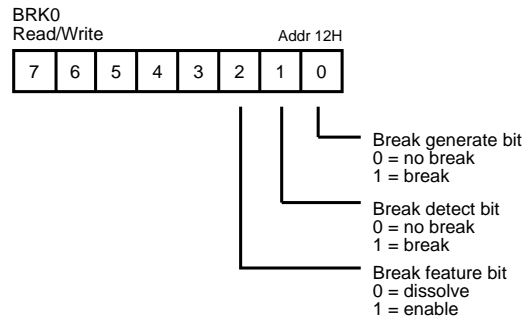
**Figure 15. ASCII Transmit Data Register (Ch. 0)**



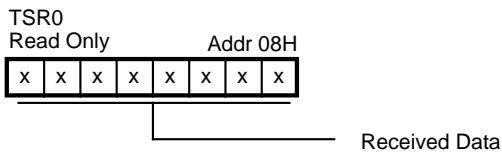
**Figure 18. ASCII Receive Data Register (Ch. 1)**



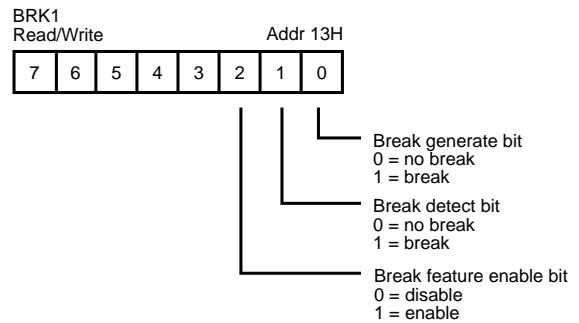
**Figure 16. ASCII Transmit Data Register (Ch. 1)**



**Figure 19. ASCII Break Control Register (Ch. 0)**



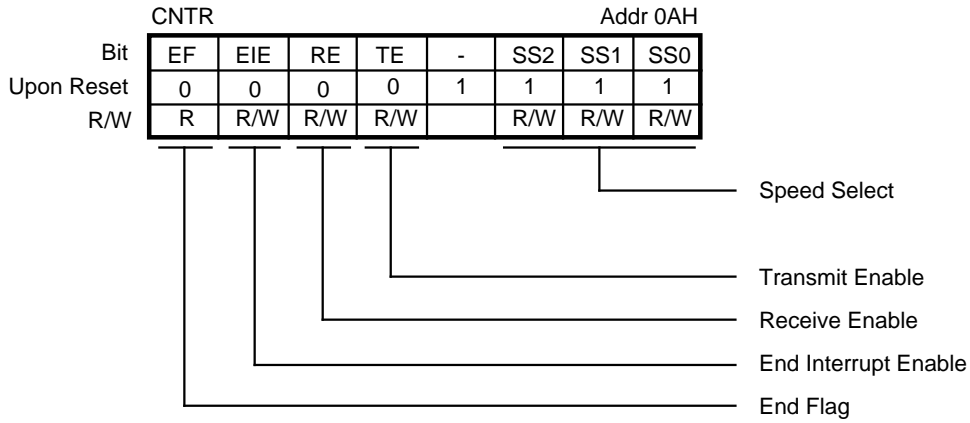
**Figure 17. ASCII Receive Data Register (Ch. 0)**



**Figure 20. ASCII Break Control Register (Ch. 1)**



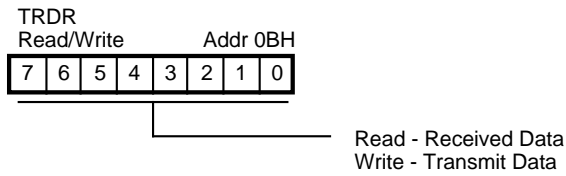
**CSI/O REGISTERS**



SS2, 1, 0	Baud Rate
000	$\emptyset \div 20$
001	$\emptyset \div 40$
010	$\emptyset \div 80$
011	$\emptyset \div 100$

SS2, 1, 0	Baud Rate
100	$\emptyset \div 320$
101	$\emptyset \div 640$
110	$\emptyset \div 1280$
111	External Clock (Frequency < $\emptyset \div 20$ )

**Figure 21. CSI/O Control Register**



**Figure 22. CSI/O Transmit/Receive Data Register**

### TIMER DATA REGISTERS

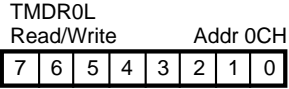
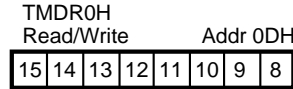


Figure 23. Timer 0 Data Register L



When Read, read Data Register L before reading Data Register H.

Figure 25. Timer 0 Data Register H

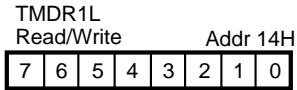
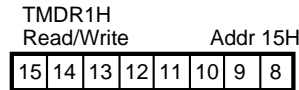


Figure 24. Timer 1 Data Register L



When Read, read Data Register L before reading Data Register H.

Figure 26. Timer 1 Data Register H

### TIMER RELOAD REGISTERS

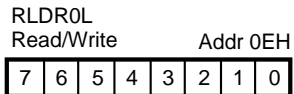


Figure 27. Timer 0 Reload Register L

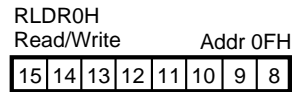


Figure 29. Timer 0 Reload Register H

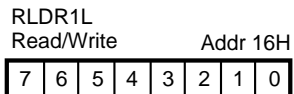


Figure 28. Timer 1 Reload Register L

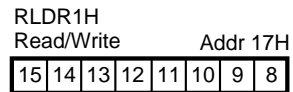
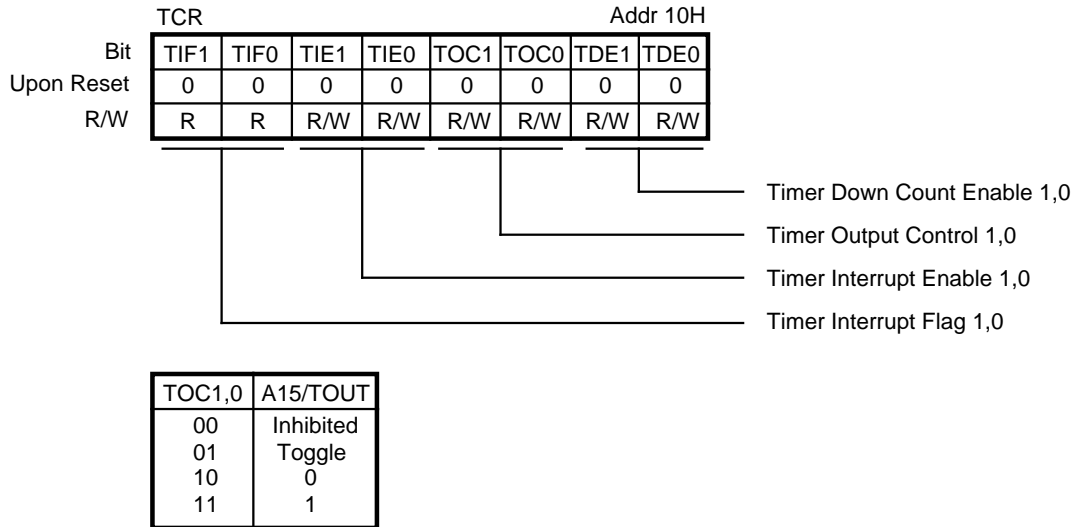


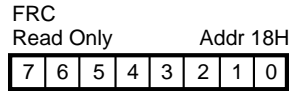
Figure 30. Timer 1 Reload Register H

**TIMER CONTROL REGISTER**



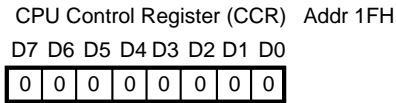
**Figure 31. Timer Control Register**

**FREE RUNNING COUNTER**



**Figure 32. Free Running Counter**

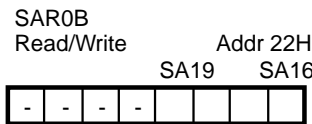
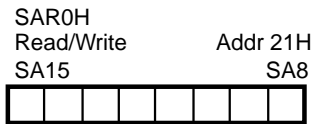
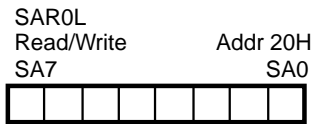
**CPU CONTROL REGISTER**



**Figure 33. CPU**

Note: See Figure 49 for full description.

**DMA REGISTERS**

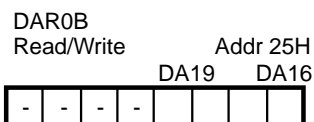
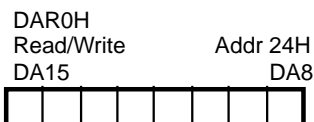
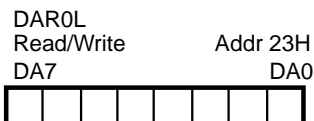


Bits 0-2 (3) are used for SAR0B

A19, A18, A17, A16	DMA Transfer Request
x   x   0   0	/DREQ0 (external)
x   x   0   1	RDR0 (ASCI0)
x   x   1   0	RDR1 (ASCI1)
x   x   1   1	Not Used

**Figure 34. DMA 0 Source Address Registers**

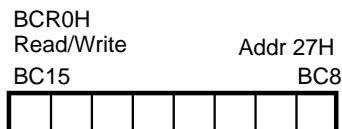
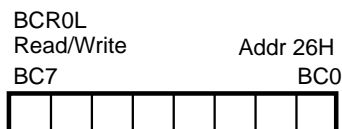
**DMA REGISTERS**



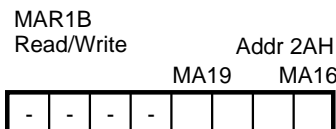
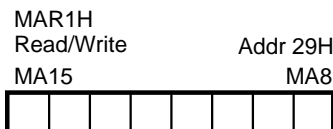
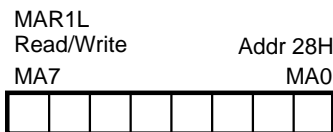
Bits 0-2 (3) are used for DAR0B

A19, A18, A17, A16	DMA Transfer Request
x   x   0   0	/DREQ0 (external)
x   x   0   1	TDR0 (ASC10)
x   x   1   0	TDR1 (ASC11)
x   x   1   1	Not Used

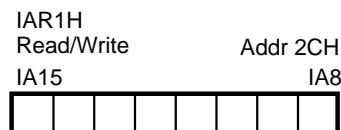
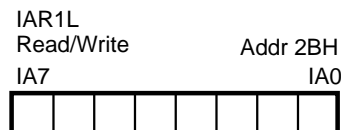
**Figure 35. DMA 0 Destination Address Registers**



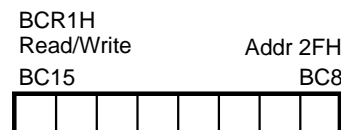
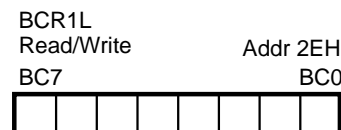
**Figure 36. DMA 0 Byte Counter Registers**



**Figure 37. DMA 1 Memory Address Registers**

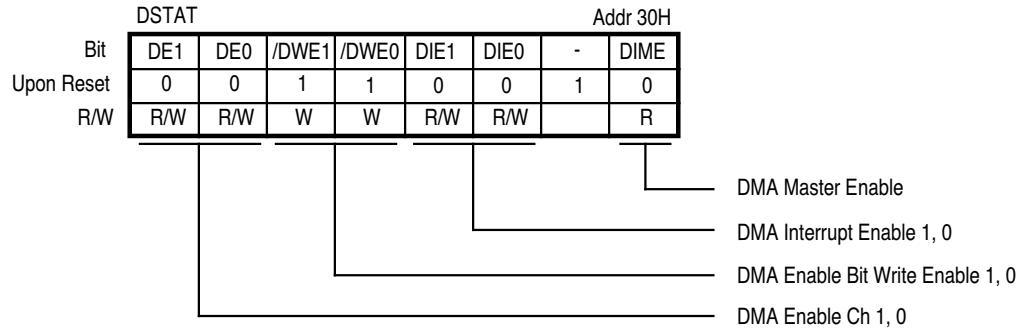


**Figure 38. DMA I/O Address Registers**

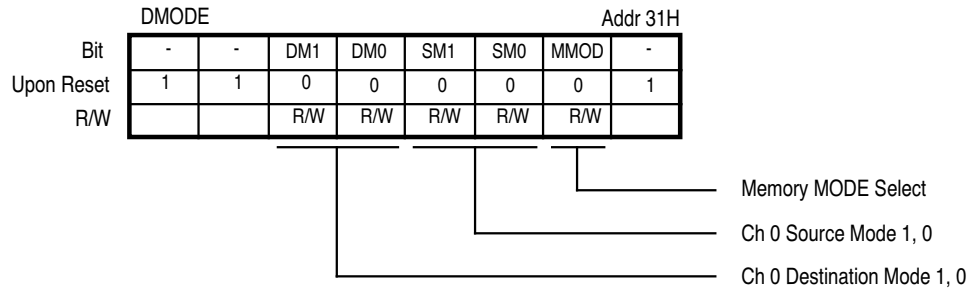


**Figure 39. DMA 1 Byte Count Registers**

**DMA REGISTERS** (Continued)



**Figure 40. DMA Status Register**

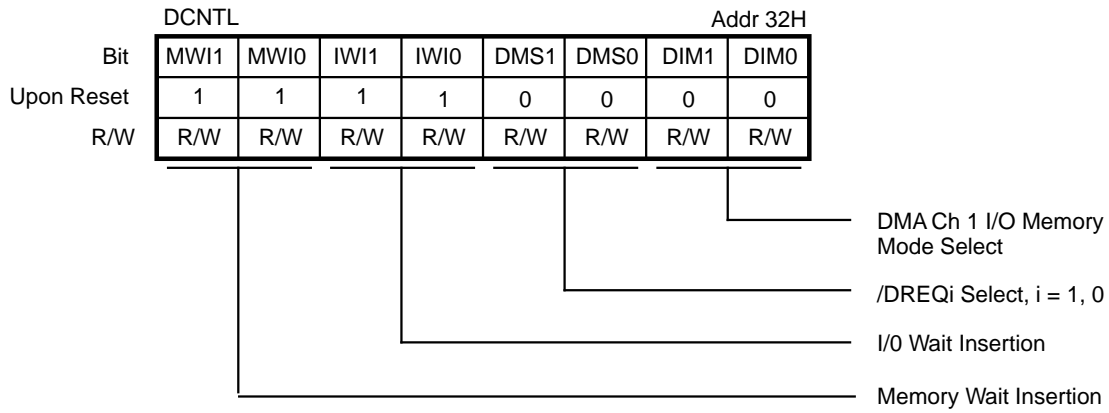


DM1, 0	Destination	Address
00	M	DAR0+1
01	M	DAR0-1
10	M	DAR0 Fixed
11	I/O	DAR0 Fixed

SM1, 0	Source	Address
00	M	SAR0+1
01	M	SAR0-1
10	M	SAR0 Fixed
11	I/O	SAR0 Fixed

MMOD	Mode
0	Cycle Steal Mode
1	Burst Mode

**Figure 41. DMA Mode Registers**



MWI1, 0	No. of Wait States	IWI1, 0	No. of Wait States
00	0	00	1
01	1	01	2
10	2	10	3
11	3	11	4

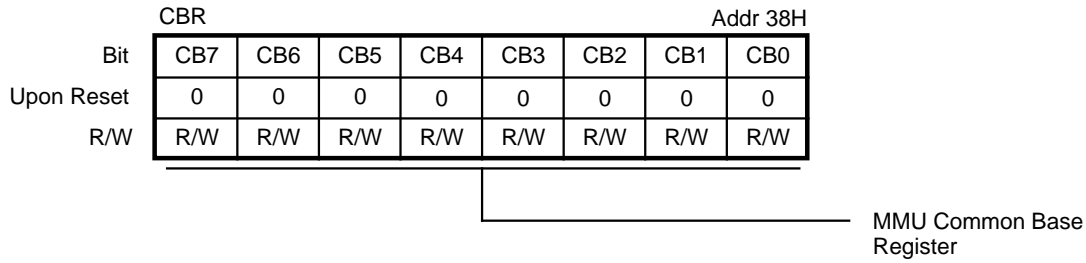
DMSi	Sense
1	Edge Sense
0	Level Sense

DM1, 0	Transfer Mode	Address Increment/Decrement	
00	M - I/O	MAR1+1	IAR1 Fixed
01	M - I/O	MAR1-1	IAR1 Fixed
10	I/O - M	IAR1 Fixed	MAR1+1
11	I/O - M	IAR1 Fixed	MAR1-1

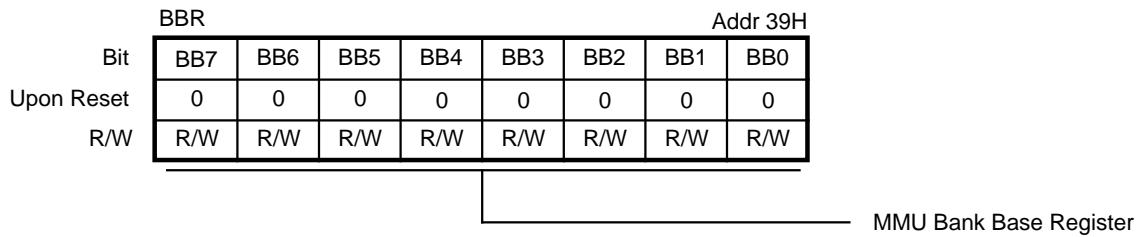
**Note:**  
\* If using ROM/RAM Chip Select wait state generators, the Z180 wait state generator should be set to 0.

**Figure 42. DMA/WAIT Control Register**

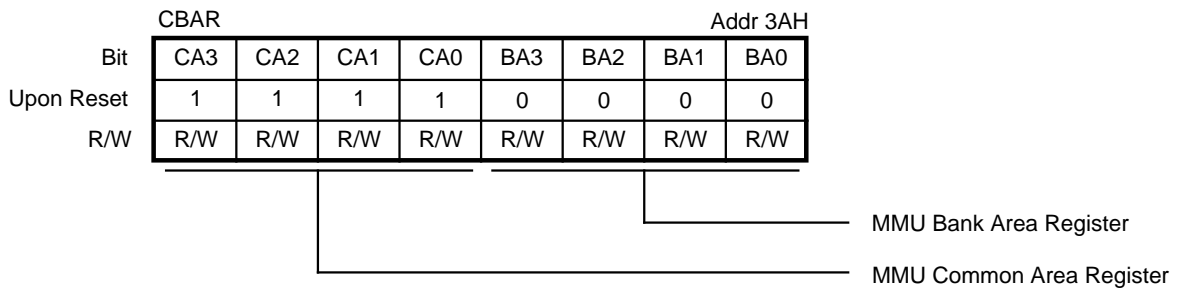
**MMU REGISTERS**



**Figure 43. MMU Common Base Register**



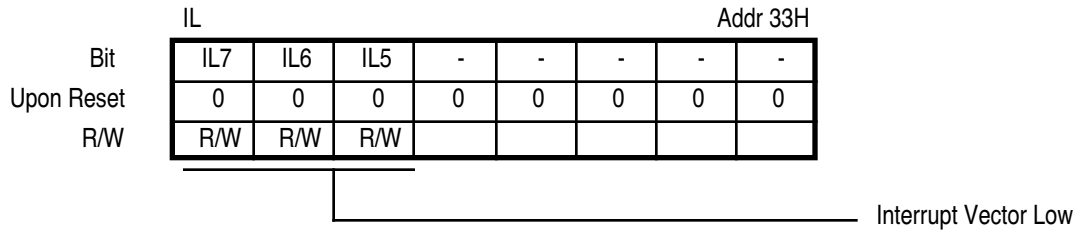
**Figure 44. MMU Bank Base Register**



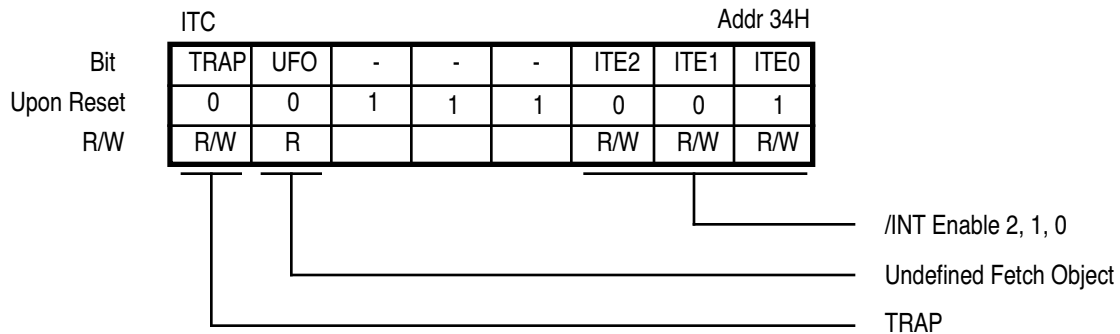
**Figure 45. MMU Common/Bank Area Register**



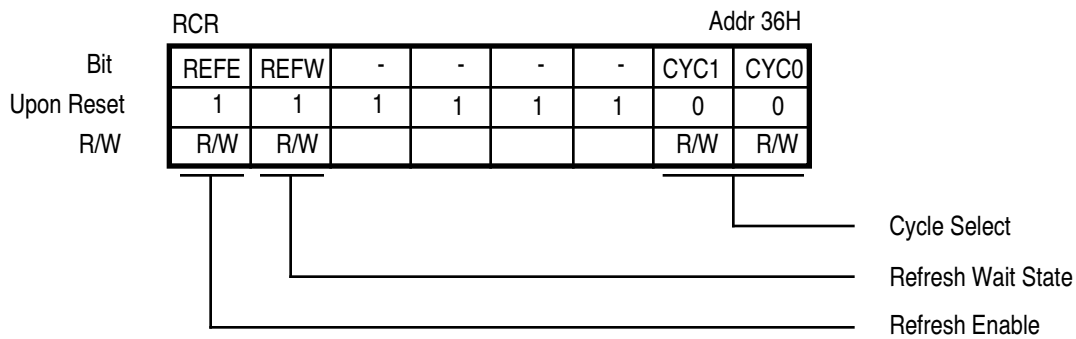
**SYSTEM CONTROL REGISTERS**



**Figure 46. Interrupt Vector Low Register**



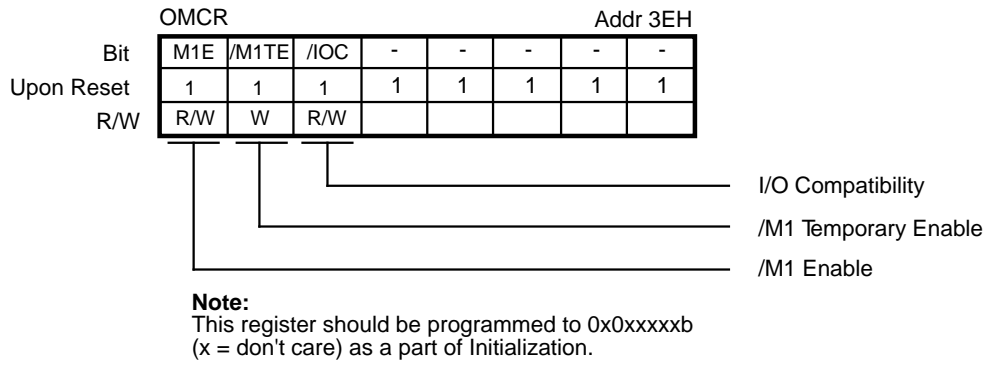
**Figure 47. INT/TRAP Control Register**



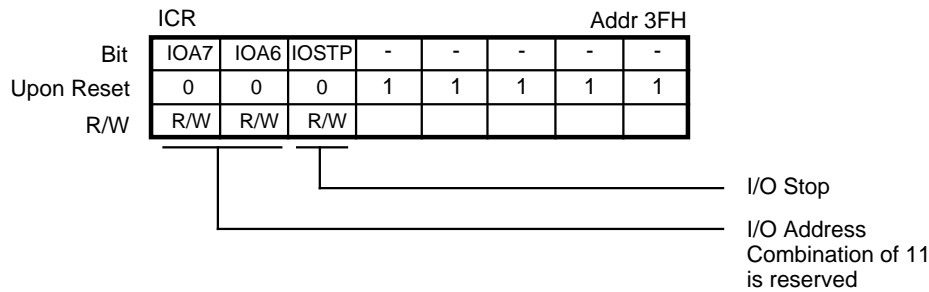
CYC1, 0	Interval of Refresh Cycle
00	10 states
01	20 states
10	40 states
11	80 states

**Figure 48. Refresh Control Register**

**SYSTEM CONTROL REGISTERS** (Continued)



**Figure 49. Operation Mode Control Register**



**Figure 50. I/O Control Register**

## ADDITIONAL FEATURES ON THE Z182 MPU

The following is a detailed description of the enhancements to the Z8S180 from the standard Z80180 in the areas of STANDBY, IDLE, and STANDBY-QUICK RECOVERY modes.

### Add-On Features

There are five different power-down modes. SLEEP and SYSTEM STOP are inherited from the Z80180. In SLEEP mode, the CPU is in a stopped state while the on-chip

I/Os are still operating. In I/O STOP mode, the on-chip I/Os are in a stopped state while leaving the CPU running. In SYSTEM STOP mode, both the CPU and the on-chip I/Os are in the stopped state to reduce the current consumption. The Z8S180 has added two additional power-down modes, STANDBY and IDLE, to reduce the current consumption even further. The differences among these power-down modes are summarized in Table 10.

**Table 10. Power Down Modes**

Power-Down Modes	CPU Core	On-Chip I/O	OSC.	CLKOUT	Recovery Source	Recovery Time (Minimum)
SLEEP	Stop	Running	Running	Running	RESET, Interrupts	1.5 Clock
I/O STOP	Running	Stop	Running	Running	By Programming	-
SYSTEM STOP	Stop	Stop	Running	Running	RESET, Interrupts	1.5 Clock
IDLE <sup>†</sup>	Stop	Stop	Running	Stop	RESET, Interrupts, BUSREQ	8 +1.5 Clock
STANDBY <sup>†</sup>	Stop	Stop	Stop	Stop	RESET, Interrupts, BUSREQ	2 <sup>17</sup> +1.5 Clock (Normal Recovery) 2 <sup>6</sup> +1.5 Clock (Quick Recovery)

#### Notes:

<sup>†</sup> IDLE and STANDBY modes are only offered in Z8S180. Note that the minimum recovery time can be achieved if INTERRUPT is used as the Recovery Source.

### STANDBY Mode

The Z8S180 has been designed to save power. Two low-power programmable power-down modes have been added; STANDBY mode and IDLE mode. The STANDBY/IDLE mode is selected by multiplexing D6 and D3 of the CPU Control Register (CCR, I/O Address = 1FH). To enter STANDBY mode:

1. Set D6 and D3 to 1 and 0, respectively.
2. Set the I/O STOP bit (D5 of ICR, I/O Address = 3FH) to 1.
3. Execute the SLEEP instruction.

When the part is in STANDBY mode, it behaves similar to the SYSTEM STOP mode which currently exists on the Z80180, except that the STANDBY mode stops the external oscillator, internal clocks and reduces power consumption to typically 50  $\mu$ A..

Since the clock oscillator has been stopped, a restart of the oscillator requires a period of time for stabilization. An

18-bit counter has been added in the Z8S180 to allow for oscillator stabilization. When the part receives an external IRQ or BUSREQ during STANDBY mode, the oscillator is restarted and the timer counts down 2<sup>17</sup> counts before acknowledgment is sent to the interrupt source.

The recovery source needs to remain asserted for duration of the 2<sup>17</sup> count, otherwise standby will be resumed.

The following is a description of how the part exits STANDBY for different interrupts and modes of operation.

### STANDBY Mode Exit with /RESET

The /RESET input needs to be asserted for a duration long enough for the crystal oscillator to stabilize and then exit from the STANDBY mode. When /RESET is de-asserted, it goes through the normal reset timing to start instruction execution at address (logical and physical) 0000H.

The clocking is resumed within the Z8S180 and at the system clock output after /RESET is asserted when the crystal oscillator is restarted, but not yet stabilized.

**STANDBY Mode Exit with BUS REQUEST**

Optionally, if the BREXT bit (D5 of CPU Control Register) is set to 1, the Z8S180 exits STANDBY mode when the /BUSREQ input is asserted; the crystal oscillator is then restarted. An internal counter automatically provides time for the oscillator to stabilize, before the internal clocking and the system clock output of the Z8S180 are resumed.

The Z8S180 relinquishes the system bus after the clocking is resumed by:

- Tri-State the address outputs A19 through A0.
- Tri-State the bus control outputs /MREQ, /IORQ, /RD and /WR.
- Asserting /BUSACK

The Z8S180 regains the system bus when /BUSREQ is deactivated. The address outputs and the bus control outputs are then driven High; the STANDBY mode is exited.

If the BREXT bit of the CPU Control Register (CCR) is cleared, asserting the /BUSREQ would not cause the Z8S180 to exit STANDBY mode.

If STANDBY mode is exited due to a reset or an external interrupt, the Z8S180 remains relinquished from the system bus as long as /BUSREQ is active.

**STANDBY Mode Exit with External Interrupts**

STANDBY mode can be exited by asserting input /NMI. The STANDBY mode may also exit by asserting /INT0, /INT1 or /INT2, depending on the conditions specified in the following paragraphs.

/INT0 wake-up requires assertion throughout duration of clock stabilization time ( $2^{17}$  clocks).

If exit conditions are met, the internal counter provides time for the crystal oscillator to stabilize, before the internal clocking and the system clock output within the Z8S180 are resumed.

**1. Exit with Non-Maskable Interrupts**

If /NMI is asserted, the CPU begins a normal NMI interrupt acknowledge sequence after clocking resumes.

**2. Exit with External Maskable Interrupts**

If an External Maskable Interrupt input is asserted, the CPU responds according to the status of the Global Interrupt Enable Flag IEF1 (determined by the ITE1 bit) and the settings of the corresponding interrupt enable bit in the Interrupt/Trap Control Register (ITC: I/O Address = 34H):

- a. If an interrupt source is disabled in the ITC, asserting the corresponding interrupt input would not cause the Z8S180 to exit STANDBY mode. This is true regardless of the state of the Global Interrupt Enable Flag IEF1.
- b. If the Global Interrupt Flag IEF1 is set to 1, and if an interrupt source is enabled in the ITC, asserting the corresponding interrupt input causes the Z8S180 to exit STANDBY mode. The CPU performs an interrupt acknowledge sequence appropriate to the input being asserted when clocking is resumed if:
  - The interrupt input follows the normal interrupt daisy chain protocol.
  - The interrupt source is active until the acknowledge cycle is completed.
- c. If the Global Interrupt Flag IEF1 is disabled, i.e., reset to 0, and if an interrupt source is enabled in the ITC, asserting the corresponding interrupt input will still cause the Z8S180 to exit STANDBY mode. The CPU will proceed to fetch and execute instructions that follow the SLEEP instruction when clocking is resumed.

If the External Maskable Interrupt input is not active until clocking resumes, the Z8S180 will not exit STANDBY mode. If the Non-Maskable Interrupt (/NMI) is not active until clocking resumes, the Z8S180 still exits the STANDBY mode even if the interrupt sources go away before the timer times out, because /NMI is edge-triggered. The condition is latched internally once /NMI is asserted Low.

**IDLE Mode**

IDLE mode is another power-down mode offered by the Z8S180. To enter IDLE mode:

1. Set D6 and D3 to 0 and 1, respectively.
2. Set the I/O STOP bit (D5 of ICR, I/O Address = 3FH) to 1.
3. Execute the SLEEP instruction.

When the part is in IDLE mode, the clock oscillator is kept oscillating, but the clock to the rest of the internal circuit, including the CLKOUT, is stopped completely. IDLE mode is exited in a similar way as STANDBY mode, i.e., RESET, BUS REQUEST or EXTERNAL INTERRUPTS, except that the 2<sup>17</sup> bit wake-up timer is bypassed; all control signals are asserted eight clock cycles after the exit conditions are gathered.

### STANDBY-QUICK RECOVERY Mode

STANDBY-QUICK RECOVERY mode is an option offered in STANDBY mode to reduce the clock recovery time in STANDBY mode from 2<sup>17</sup> clock cycles (6.5 ms at 20 MHz) to 2<sup>6</sup> clock cycles (3.2  $\mu$ s at 20 MHz). This feature can only be used when providing an oscillator as clock source.

To enter STANDBY-QUICK RECOVERY mode:

1. Set D6 and D3 to 1 and 1, respectively.
2. Set the I/O STOP bit (D5 of ICR, I/O Address = 3FH) to 1.
3. Execute the SLEEP instruction.

When the part is in STANDBY-QUICK RECOVERY mode, the operation is identical to STANDBY mode except when exit conditions are gathered, i.e., RESET, BUS REQUEST or EXTERNAL INTERRUPTS; the clock and other control signals are recovered sooner than the STANDBY mode.

**Note:** If STANDBY-QUICK RECOVERY is enabled, the user must make sure stable oscillation is obtained within 64 clock cycles.

### CPU Control Register

The Z8S180 has an additional register which allows the programmer to select options that directly affect the CPU performance as well as controlling the STANDBY operating mode of the chip. The CPU Control Register (CCR) allows the programmer to change the divide-by-two internal clock to divide-by-one. In addition, applications where EMI noise is a problem, the Z8S180 can reduce the output drivers on selected groups of pins to 25% of normal pad driver capability which minimizes the EMI noise generated by the part.

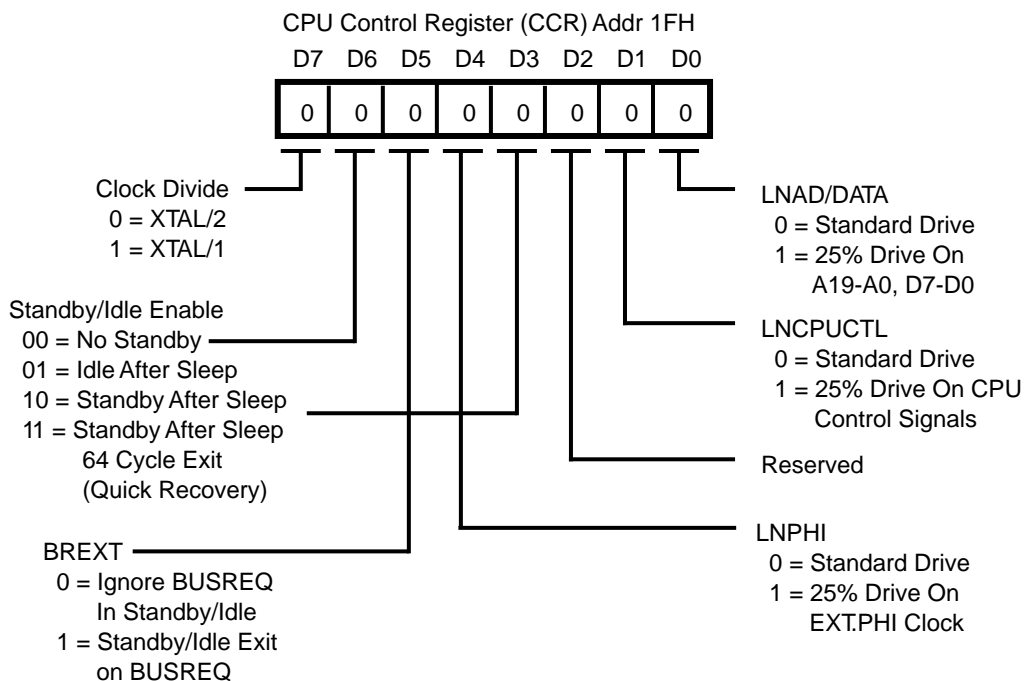


Figure 51. CPU Control Register

## CPU Control Register

**Bit 7. Clock Divide Select.** Bit 7 of the CCR allows the programmer to set the internal clock to divide the external clock by 2 if the bit is 0 and divide-by-one if the bit is 1. Upon reset, this bit is set to 0 and the part is in divide-by-two mode. Since the on-board oscillator is not guaranteed to operate above 20 MHz, an external source must be used to achieve the maximum 33 MHz operation of the part, i.e., an external clock at 66 MHz with 50% duty cycle.

If an external oscillator is used in divide-by-one mode, the minimum pulse width requirement must be satisfied.

**Bits 6 and 3. STANDBY/IDLE Enable.** These two bits are used for enabling/disabling the IDLE and STANDBY mode.

Setting D6, D3 to 0 and 1, respectively, enables the IDLE mode. In the IDLE mode, the clock oscillator is kept oscillating but the clock to the rest of the internal circuit, including the CLKOUT, is stopped. The Z8S180 enters IDLE mode after fetching the second opcode of a SLEEP instruction, if the I/O STOP bit is set.

Setting D6, D3 to 1 and 0, respectively, enables the STANDBY mode. In the STANDBY mode, the clock oscillator is stopped completely. The Z8S180 enters STANDBY after fetching the second opcode of a SLEEP instruction, if the I/O STOP bit is set.

Setting D6, D3 to 1 and 1, respectively, enables the STANDBY-QUICK RECOVERY mode. In this mode, its operations are identical to STANDBY except that the clock

recovery is reduced to 64 clock cycles after the exit conditions are gathered. Similarly, in STANDBY mode, the Z8S180 enters STANDBY after fetching the second opcode of a SLEEP instruction, if the I/O STOP bit is set.

**Bit 5. BREXT.** This bit controls the ability of the Z8S180 to honor a bus request during STANDBY mode. If this bit is set to 1 and the part is in STANDBY mode, a BUSREQ is honored after the clock stabilization timer is timed out.

**Bit 4. LNPHI.** This bit controls the drive capability on the PHI Clock output. If this bit is set to 1, the PHI Clock output is reduced to 25% of its drive capability.

**Bit 2. Reserved**

**Bit 1. LNCPUCTL.** This bit controls the drive capability of the CPU Control pins. When this bit is set to 1, the output drive capability of the following pins is reduced to 25% of the original drive capability:

- /BUSACK	- /MREQ
- /RD	- /IORQ
- /WR	- /RFSH
- /M1	- /HALT
- E	- /TEND1

**Bit 0. LNAD/DATA.** This bit controls the drive capability of the Address/Data bus output drivers. If this bit is set to 1, the output drive capability of the Address and Data bus output is reduced to 25% of its original drive capability.

**Z85230 ESCC™ CONTROL REGISTERS**

See Figures 52 and 53 for the ESCC Control registers. For additional information, refer to the ESCC Product Specification /Technical Manual.

The Z80182/Z8L182 has two ESCC channels. They can be accessed in any page of I/O space since only the lowest eight address lines are decoded for access. Their Z180™ MPU Address locations are shown in Table 11.

When the 16550 MIMIC interface is enabled, ESCC channel B is disconnected from the output pins. The channel B /TRxCB clock is connected to the Transmit and Receive timers of the 16550 MIMIC interface. ***It is recommended that /TRxCB be programmed as an output with proper baud rate values to timeout the transmitter and receiver of the 16550 MIMIC interface.***

**Table 11. ESCC Control and Data Map**

ESCC Channel A	Control	Z180 MPU Address xxE0H
	Data	Z180 MPU Address xxE1H
ESCC Channel B	Control	Z180 MPU Address xxE2H
	Data	Z180 MPU Address xxE3H

## PROGRAMMING THE ESCC™

The ESCC contains write registers in each channel that are programmed by the system separately to configure the functional uniqueness of the channels.

In the ESCC, the data registers are directly addressed by selecting a High on the D//C pin. With all other registers (with the exception of WR0 and RR0), programming the write registers requires two write operations and reading the read registers, both a write and a read operation. The first write is to WR0 and contains three bits that point to the selected register. The second write is the actual control word for the selected read register accessed. All of the ESCC registers, including the data registers, may be accessed in this fashion. The pointer bits are automatically cleared after the read or write operation so that WR0 (or RR0) is addressed again.

With the Z80182/Z8L182, a new feature is implemented in the ESCC. The Transmitter and Receiver is now capable of sending and comparing a 32-bit CRC-32 (Ethernet Polynomial):

$$x^{32} + x^{26} + x^{23} + x^{22} + x^{16} + x^{12} + x^{11} + x^{10} + x^8 + x^7 + x^5 + x^4 + x^2 + x + 1$$

This feature is enabled by access to WR7' Bit 7, which selects the 32-bit CRC polynomial for the transmitter and receiver and overrides any selection of SDLC/CRC-16 CRCs. When the 32-bit CRC override feature is enabled, the transmitter will only send 32-bit CRC when CRC is to be sent. On the receive side, the CRC comparison/calculation will be done only on 32-bit CRC values. The result of the 32-bit CRC comparison will be maintained in RR1 bit D6 in place of the 16-bit CRC comparison result. The 32-bit CRC compare result will also be maintained in the 10x19 FIFO for frames in which 32-bit CRC is enabled. The CRC still can be preset to all 0s or all 1s. 32-bit CRC is disabled upon power-up or reset.

**Note:** The ESCC cannot do simultaneous calculation/comparison using both 16-bit and 32-bit CRC.

Also, for the Z80182/Z8L182 only, the clock provided to the ESCC core is equal to the system clock divided by 1 or 2. The divider is programmed in the Z80182 Enhancement Register bit 3.

Divide-by-two should be programmed when running the Z182 beyond:

- 20 MHz, 5V
- 10 MHz, 3V

**Note:** Upon power-up or reset the system clock is equal to the ESCC clock.

**Initialization.** The system program first issues a series of commands to initialize the basic mode of operation. This is followed by other commands to qualify conditions within the selected mode. For example, in the Asynchronous mode, character length, clock rate, number of stop bits, and even or odd parity should be set first. Then the interrupt mode is set, and finally, the receiver and transmitter are enabled.

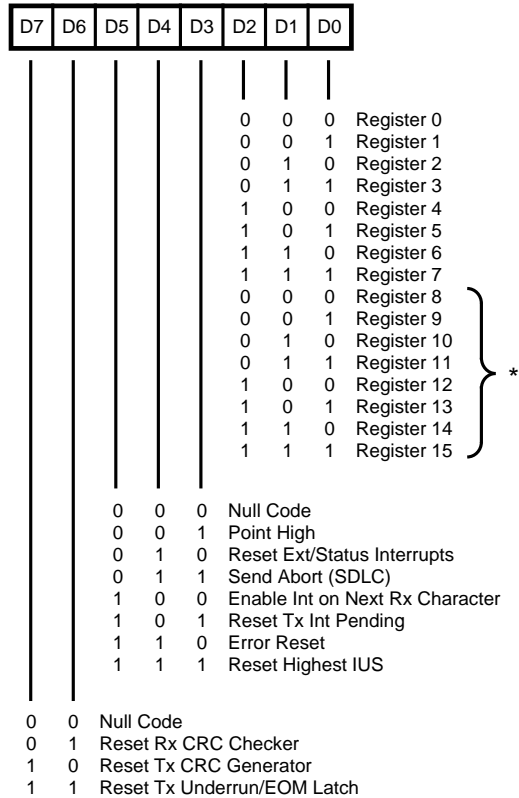
**Write Registers.** The ESCC contains 16 write registers (17 counting the transmit buffer) in each channel. These write registers are programmed separately to configure the functional "personality" of the channels. There are two registers (WR2 and WR9) shared by the two channels that are accessed through either of them. WR2 contains the interrupt vector for both channels, while WR9 contains the interrupt control bits and reset commands. A new register, WR7', was added to the ESCC and may be written to if WR15, D0 is set. Figure 50 shows the format of each write register.

**Read Registers.** The ESCC contains ten read registers (eleven, counting the receive buffer (RR8) in each channel). Four of these may be read to obtain status information (RR0, RR1, RR10, and RR15). Two registers (RR12 and RR13) are read to learn the baud rate generator time constant. RR2 contains either the unmodified interrupt vector (channel A) or the vector modified by status information (channel B). RR3 contains the Interrupt Pending (IP) bits (channel A only). RR6 and RR7 contain the information in the SDLC Frame Status FIFO, but is only read when WR15, D2 is set. If WR7' D6 is set, Write Registers WR3, WR4, WR5, WR7, and WR10 can be read as RR9, RR4, RR5, and RR14, respectively. Figure 51 shows the format of each Read register.



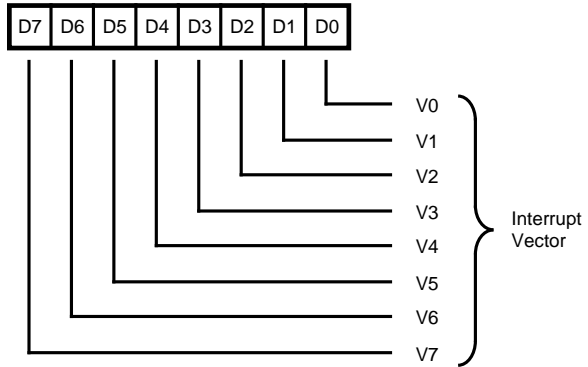
### CONTROL REGISTERS

Write Register 0 (non-multiplexed bus mode)

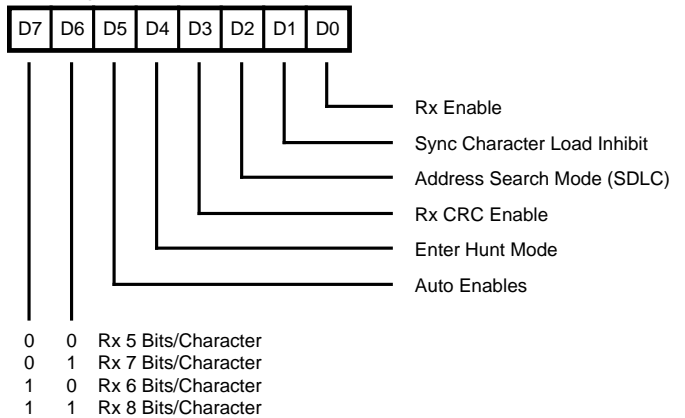


\* With Point High Command

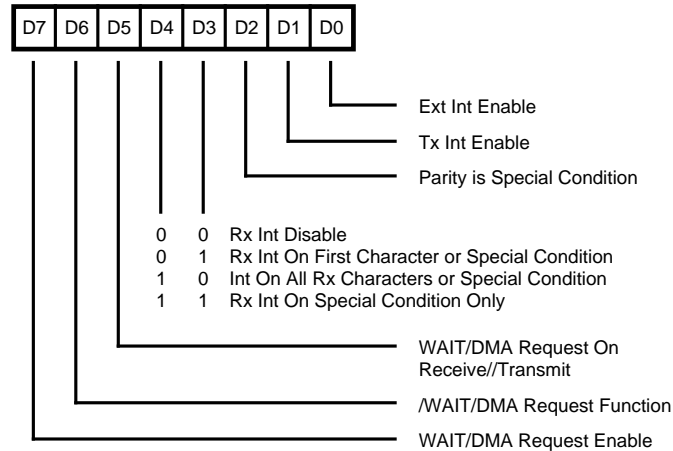
Write Register 2



Write Register 3



Write Register 1



Write Register 4

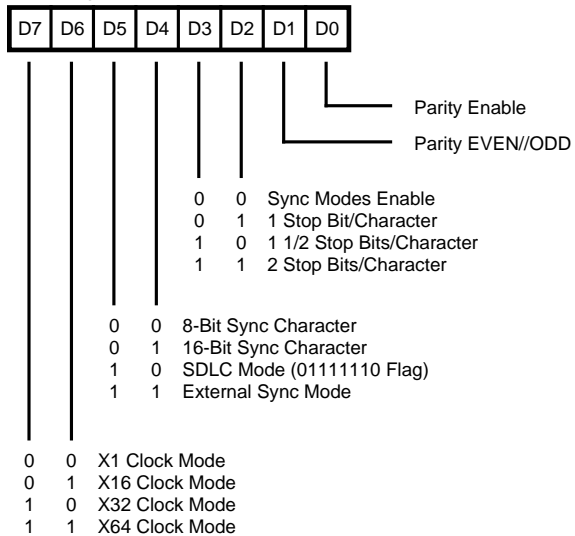
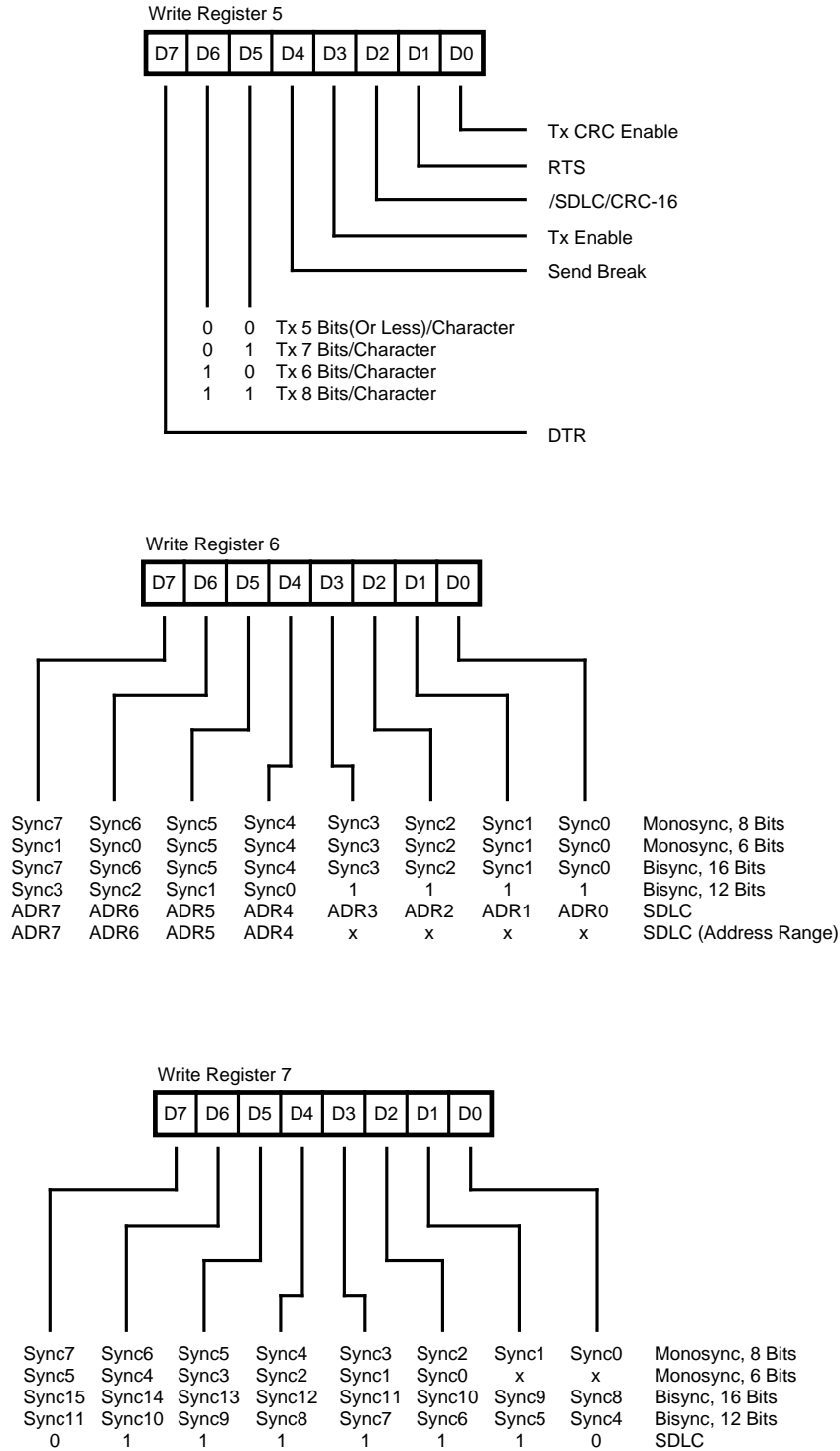


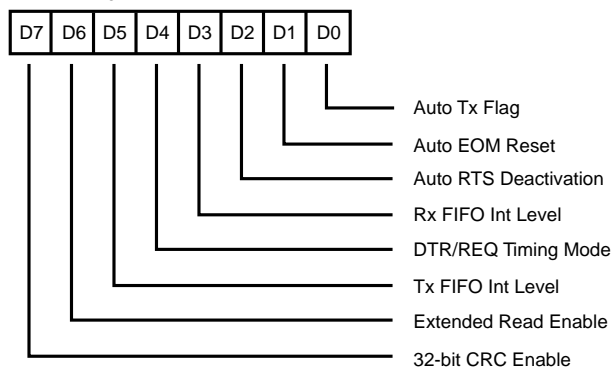
Figure 52. Write Register Bit Functions

**CONTROL REGISTERS (Continued)**

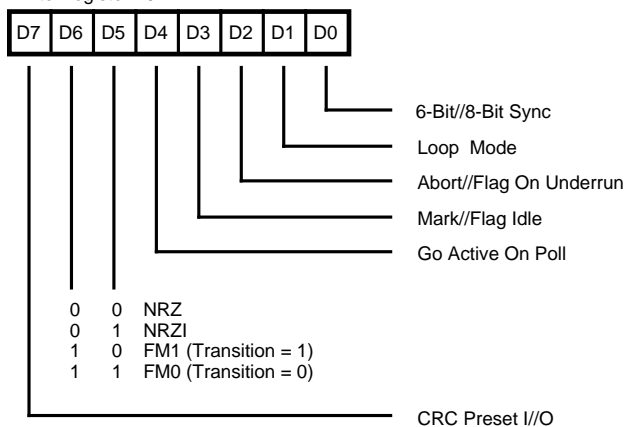


**Figure 52. Write Register Bit Functions (Continued)**

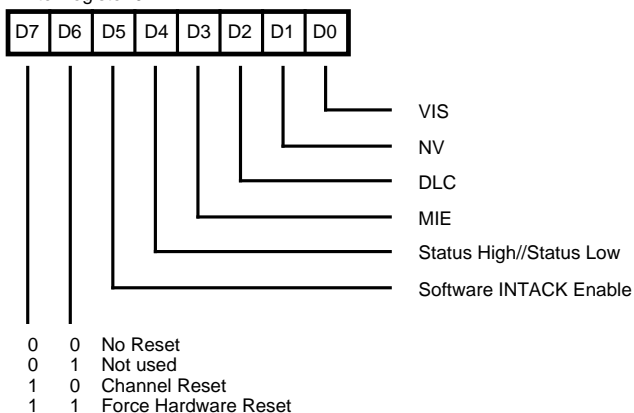
WR 7' Prime



Write Register 10



Write Register 9



Write Register 11

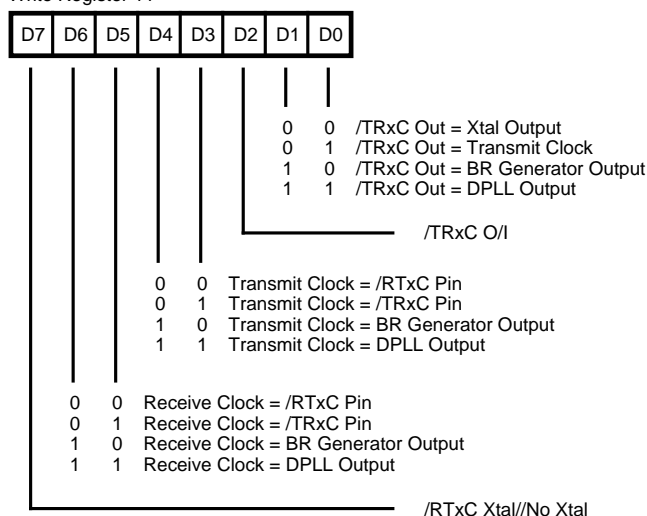
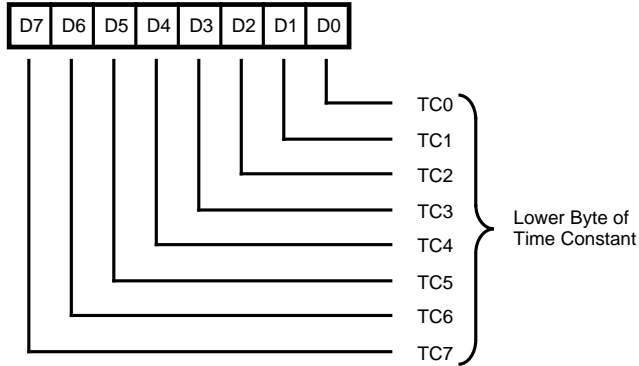


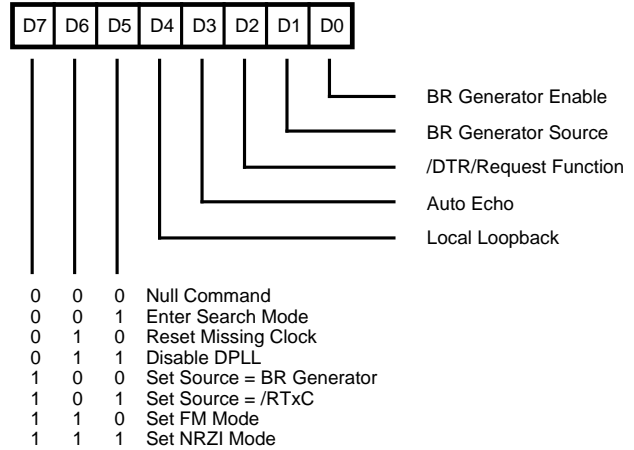
Figure 52. Write Register Bit Functions (Continued)

### CONTROL REGISTERS (Continued)

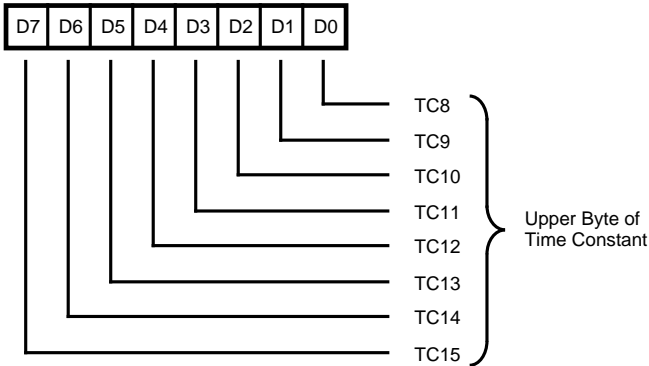
Write Register 12



Write Register 14



Write Register 13



Write Register 15

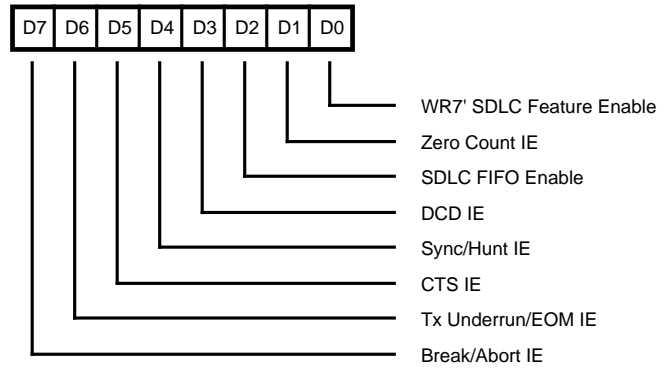
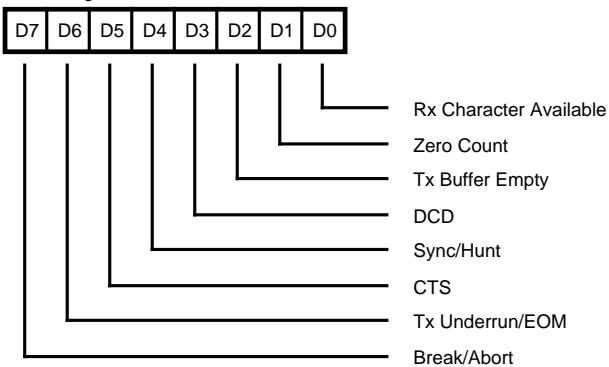
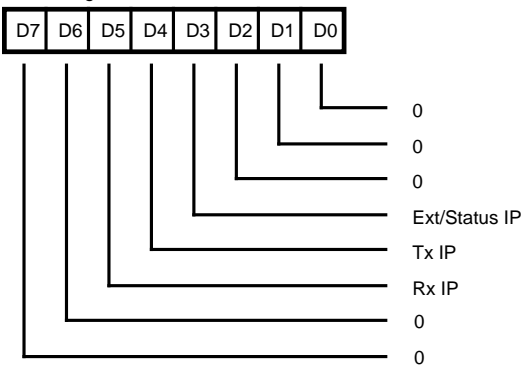


Figure 52. Write Register Bit Functions (Continued)

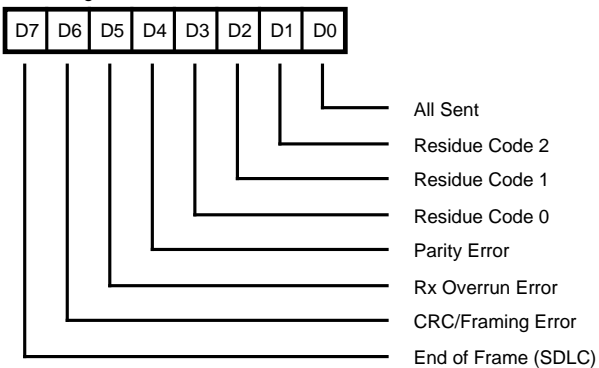
Read Register 0



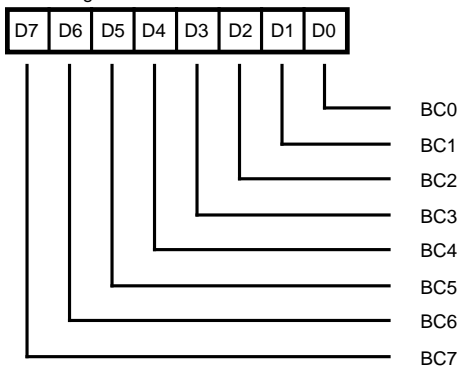
Read Register 3



Read Register 1



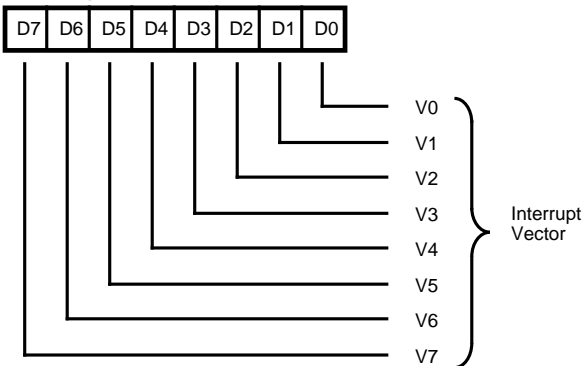
Read Register 6\*



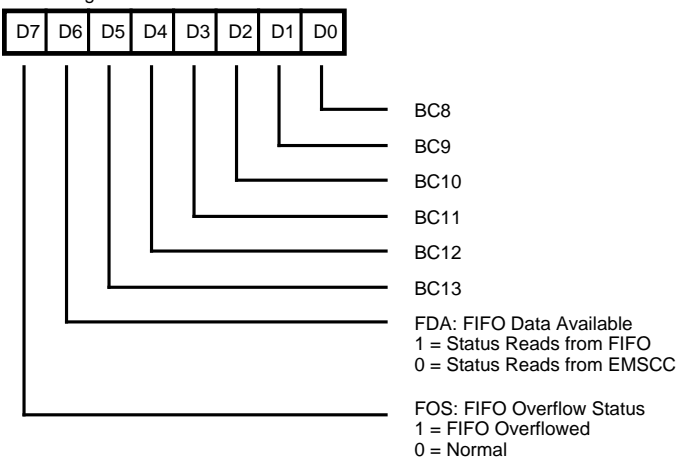
\*Can only be accessed if the SDLC FIFO enhancement is enabled (WR15 bit D2 set to 1)

**SDLC FIFO Status and Byte Count (LSB)**

Read Register 2



Read Register 7\*



\*Can only be accessed if the SDLC FIFO enhancement is enabled (WR15 bit D2 set to 1)

**SDLC FIFO Status and Byte Count (LSB)**

**Figure 52. Write Register Bit Functions (Continued)**

### CONTROL REGISTERS (Continued)

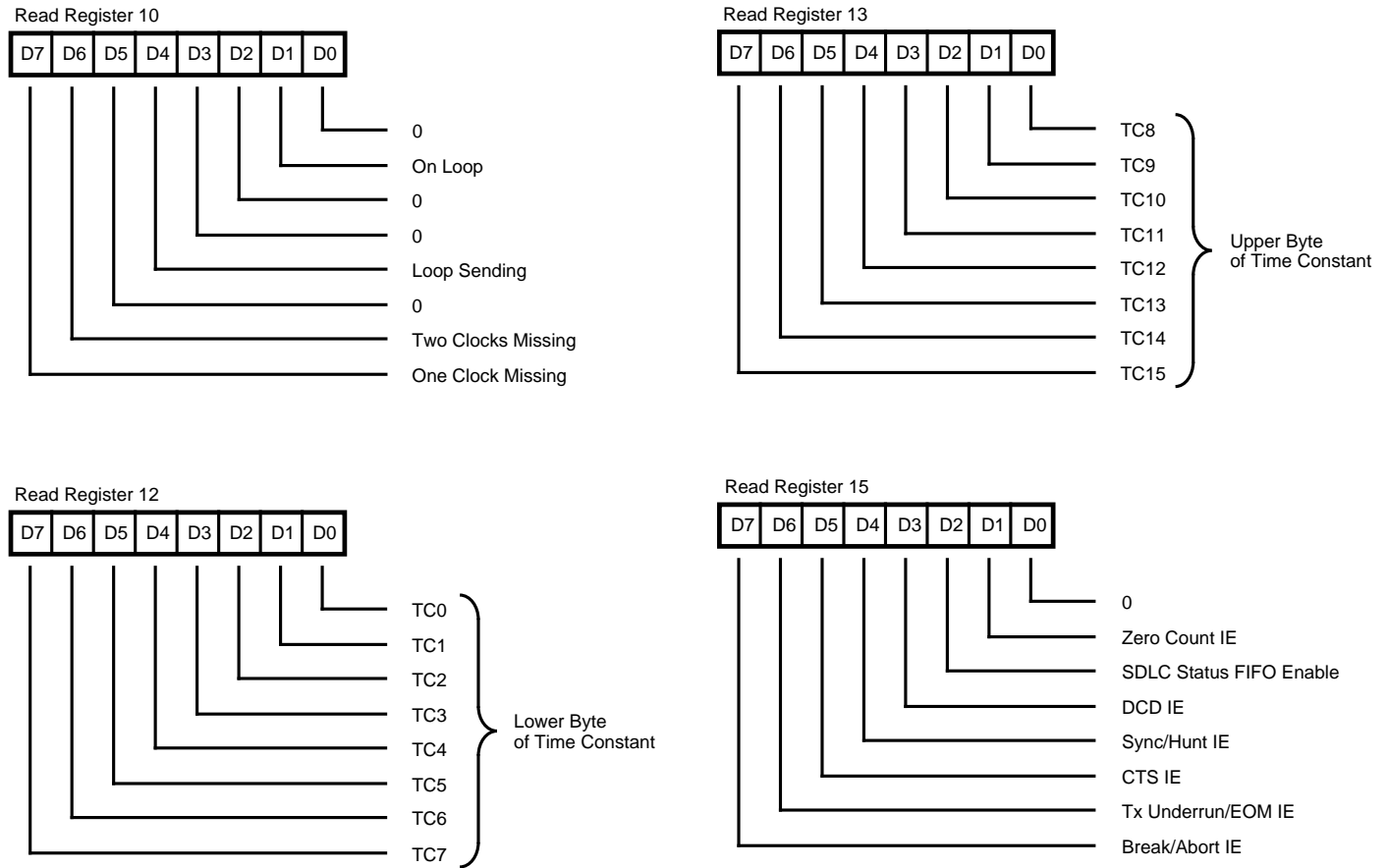
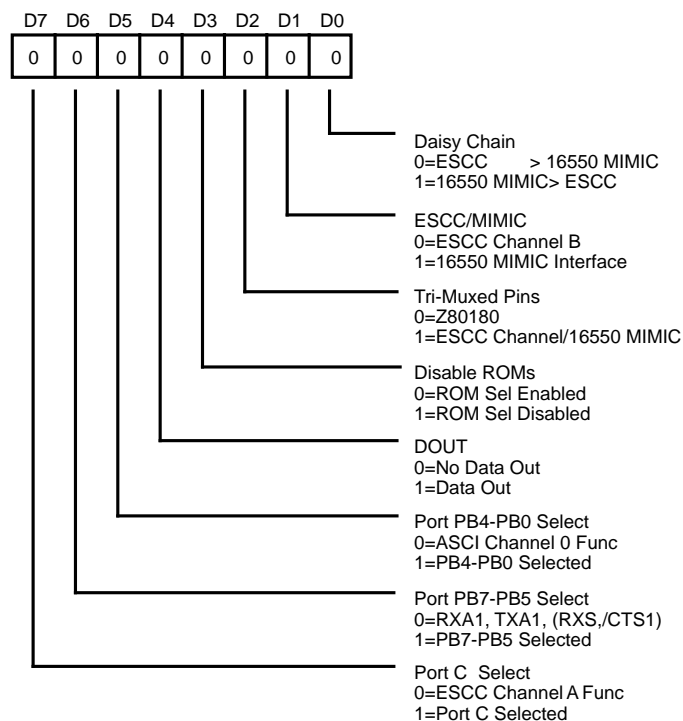


Figure 53. Read Register Bit Functions

## Z182 MISCELLANEOUS CONTROL AND INTERFACE REGISTERS

Figures 54 through 65 describe miscellaneous registers that control the Z182 configuration, RAM/ROM chip select, interrupt and various status and timers.



**Figure 54. System Configuration Register**  
(Z180 MPU Read/Write, Address xxEFH)

### System Configuration Register

#### Bit 7 Port C Select

When this bit is set to 1, bit 8 parallel Port C is selected on the multiplexed pins. When this bit is reset to 0 then these multiplexed pins take ESCC™ Channel A functions.

#### Bit 6 PB7-PB5 Select

When this bit is set to 1, parallel Port B bits 7 through 5 are selected on the multiplexed pins. When this bit is reset to 0, these multiplexed pins become RxA1, TxA1 and RxS/CTS1.

#### Bit 5 PB4-PB0 Select

When this bit is set to 1, parallel Port B bits 4 through 0 are selected on the multiplexed pins. When this bit is reset to 0, these multiplexed pins take ASCI channel 0 functions.

#### Bit 4 DD<sub>OUT</sub> ROM Emulator Mode Enable

When this bit is set to 1, the Z182 is in “ROM emulator mode”. In this mode, bus direction for certain transaction periods are set to the opposite direction to export internal bus transactions outside the Z80182/Z8L182. This allows the use of ROM emulators/logic analyzers for application development (see Tables 12a and 12b).

**Note:** The word “Out” means that the Z182 data bus direction is in output mode, “In” means input mode, and “Z” means high impedance. DD<sub>OUT</sub> stands for Data Direction Out and is the status of the D4 bit in the System Configuration Register (SCR).

**Table 12a. Data Bus Direction (Z182 Bus Master)**

#### I/O And Memory Transactions

	I/O Write to On-Chip Peripherals	I/O Read From On-Chip Peripherals	I/O Write to Off-Chip Peripherals	I/O Read From Off-Chip Peripherals	Write To Memory	Read From Mode	Refresh	Z80182 /Z8L182 Idle Mode
Z80182 /Z8L182 Data Bus (DD <sub>OUT</sub> =0)	Out	Z	Out	In	Out	In	Z	Z
Z80182 /Z8L182 Data Bus (DD <sub>OUT</sub> =1)	Out	Out	Out	In	Out	In	Z	Z

**Z182 MISCELLANEOUS CONTROL AND INTERFACE REGISTERS****Table 12b. Data Bus Direction (Z182 Bus Master)****Interrupt Acknowledge Transaction**

	<b>Intack For On-Chip Peripheral (IEI=1)</b>	<b>Intack For Off-Chip Peripheral (IEI=0)</b>
Z80182/Z8L182 Data Bus (DD <sub>OUT</sub> =0)	Z	In
Z80182/Z8L182 Data Bus (DD <sub>OUT</sub> =1)	Out	In

**Table 13a. Data Bus Direction (Z80182/Z8L182 *is not* Bus Master)****I/O And Memory Transactions**

	<b>I/O Write to On-Chip Peripherals</b>	<b>I/O Read From On-Chip Peripherals</b>	<b>I/O Write to Off-Chip Peripherals</b>	<b>I/O Read From Off-Chip Peripherals</b>	<b>Write To Memory</b>	<b>Read From Mode</b>	<b>Refresh</b>	<b>Z80182 Idle Mode</b>
Z80182 /Z8L182 Data Bus DD <sub>OUT</sub> =0)	In	Out	Z	Z	Z	In	Z	Z
Z80182 /Z8L182 Data Bus (DD <sub>OUT</sub> =1)	In	Out	Z	Z	Z	In	Z	Z

**Table 13b. Data Bus Direction (Z80182/Z8L182 *is not* Bus Master)****Interrupt Acknowledge Transaction**

	<b>Intack For On-Chip Peripheral</b>	<b>Intack For Off-Chip Peripheral</b>
Z80182/Z8L182 Data Bus (DD <sub>OUT</sub> =0)	Out	In
Z80182/Z8L182 Data Bus (DD <sub>OUT</sub> =1)	Out	In



## Z182 MISCELLANEOUS CONTROL AND INTERFACE REGISTERS

### Bit 3 Disable ROMs

If this bit is 1, it disables the ROMCS pin. If it is 0, addresses below the ROM boundary set by the ROMBR register will cause the ROMCS pin to go Low.

### Bit 2 Tri-Muxed Pins Select

The Z80182/Z8L182 has three pins that are triple multiplexed and controlled by bit 2 and bit 1. Table 14 shows the different modes.

**Table 14. SCR Control for Triple Multiplexed Pins**

Bit 2	Bit 1	System Configuration Register
0	0	/TEND1,TxS,CKS
0	1	/TEND1,TxS,CKS
1	0	/RTSB,(/DTR//REQB),(/W//REQB)
1	1	/HRxRDY,/(HTxRDY,HINTR)

### Bit 1 ESCC™ Channel B/MIMIC

If this bit is 0, Mode 0 is selected.  
If this bit is 1, Mode 1 is selected.

#### Mode 0:

Channel A ESCC Enabled  
Channel B ESCC Enabled  
PIA Port Enabled  
16550 MIMIC Interface Disabled

#### Mode 1:

Channel A ESCC enabled  
Channel B outputs disabled  
PIA disabled  
16550 MIMIC Interface Enabled

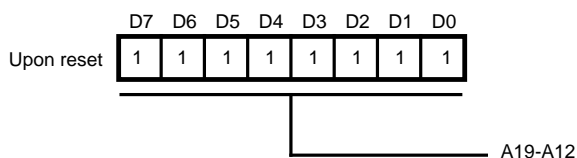
### Bit 0 Daisy Chain

This bit is used to set interrupt priority of the ESCC and 16550 MIMIC interface. If it is 0, the ESCC is higher up in the daisy chain than the 16550 MIMIC interface. If it is 1, the 16550 interface is higher up than the ESCC. Note that /INT0 is used for both MIMIC and ESCC Interrupts.

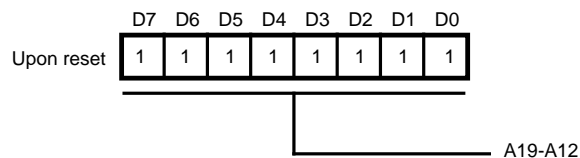
## /RAMCS AND /ROMCS REGISTERS

To assist decoding of ROM and RAM blocks of memory, three more registers and two pins have been added to the

Z80182/Z8L182. The two pins are /ROMCS and /RAMCS. The three registers are RAMUBR, RAMLBR and ROMBR.



**Figure 55. RAMUBR**  
(Z180 MPU Read/Write, Address xxE6H)



**Figure 56. RAMLBR**  
(Z180 MPU Read/Write, Address xxE7H)

**/RAMCS AND /ROMCS REGISTERS** (Continued)

**RAMUBR, RAMLBR RAM Upper Boundary Range, RAM Lower Boundary Range**

These two registers specify the address range for the /RAMCS signal. When accessed memory addresses are less than or equal to the value programmed in the RAMUBR and greater than or equal to the value programmed in the RAMLBR, /RAMCS is asserted. The A18 signal from the CPU is taken before it is multiplexed with T<sub>OUT</sub>. In the case that these registers are programmed to overlap, /ROMCS takes priority over /RAMCS (/ROMCS is asserted and /RAMCS is inactive).

Chip Select signals are going active for the address range:

/ROMCS: (ROMBR) >= A19-A12 >= 0  
/RAMCS: (RAMUBR) >= A19-A12 >= (RAMLBR)

These registers are set to FFH at POR, and the boundary addresses of ROM and RAM are as follows:

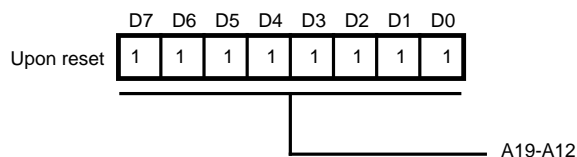
ROM lower boundary address  
(fixed) = 00000H

ROM upper boundary address  
(ROMBR register) = 0FFFFFFH

RAM lower boundary address  
(RAMLBR register) = 0FFFFFFH

RAM upper boundary address  
(RAMUBR register) = 0FFFFFFH

Because /ROMCS takes priority over /RAMCS, the latter will never be asserted until the value in the ROMBR and RAMLBR registers are re-initialized to lower values.



**Figure 57. ROMBR**  
(Z180 MPU Read/Write, Address xxE8H)

**ROMBR ROM Address Boundary Register**

This register specifies the address range for the /ROMCS signal. When accessed, memory addresses are less than or equal to the value programmed in this register, the /ROMCS signal is asserted.

The A18 signal from the CPU is obtained before it is multiplexed with T<sub>OUT</sub>. This signal can be forced to a "1" (inactive state) by setting bit 3 in the System Configuration Register, to allow the user to overlay the RAM area over the ROM area.

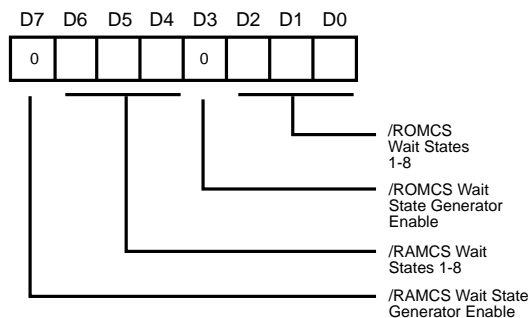
**Z80182 Improvement to the Wait State Generator**

A separate Wait State Generator is provided for access memory using /ROMCS and /RAMCS. A single 8-bit register is added to enable/disable this feature as well as provide two 3-bit fields that provide 1 to 8 waits for each chip select.

There are two wait state generators in the Z182. The actual number of wait states inserted is the greatest number of both the Z180 WSG and the chip select WSG. In order to use the Chip Select WSG, the Z180 WSG should be programmed to 0 wait states.

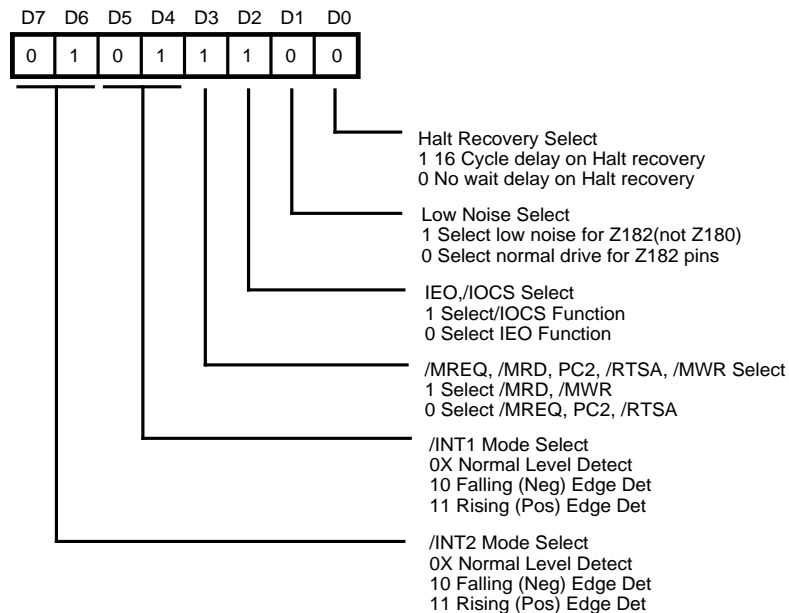
WSG Chip Select Register (Z80182 address D8H)

- Bit 7 /RAMCS Wait State Generator Enable. Disable on power-up or reset.
- Bits 6-4 /RAMCS Wait States 1 to 8. Eight wait states on power-up or reset.
- Bit 3 /ROMCS Wait State Generator Enable. Disable on power-up or reset.
- Bits 2-0 /ROMCS Wait States 1 to 8. Eight wait states on power-up or reset.



**Figure 58. WSG Chip Select Register**  
(Z180 MPU Read/Write, Address xxD8H)

## INTERRUPT EDGE/PIN MUX REGISTER



**Figure 59. Interrupt Edge/Pin MUX Register**  
(Z180 MPU Read/Write, Address xxDFH)

**Bits 7-6.** These bits control the interrupt capture logic for the external /INT2 PIN. When programmed as '0X', the /INT2 pin performs as the normal level detecting interrupt pin. When programmed as 10 the negative edge detection is enabled. Any falling edge latches an active Low on the internal /INT2 of the Z180. This interrupt must be cleared by writing a 1 to bit 7 of the Port C Data Register. Programming these control bits to 11 enables rising edge interrupts to be latched. The latch is cleared in the same fashion as the falling edge.

**Bits 5-4.** These bits control the interrupt capture logic for the external /INT1 PIN. When programmed as '0X', the /INT1 pin performs as the normal level detecting interrupt pin. When programmed as 10, the negative edge detection is enabled. Any falling edge latches an active Low on the internal /INT1 of the Z180. This interrupt must be cleared by writing a 1 to bit 6 of the Port C Data Register. Programming these control bits to 11 enables rising edge interrupts to be latched. The latch is cleared in the same fashion as the falling edge. Edge detect logic cannot be used in Emulation Adaptor EV mode 1.

**Bit 3.** Programming this bit to 1 selects the /MRD and the /MWR functions. The default for power up and /RESET conditions is 1, i.e., the /MRD and /MWR. By programming

this bit to 0 the /MREQ Z180 function is enabled, as well as the PC2//RTSA function on the PC2//RTSA//MWR pin. If the /MREQ Z180 function is enabled, any external bus master must be prevented from asserting Z182's IRD signal unless accessing Z182's IO.

**Bit 2.** This bit selects the /IOCS function which is the default for power up and /RESET conditions. By programming this bit to 0 the IEO function is enabled for this multiplexed pin.

**Bit 1.** This bit selects the low noise or normal drive feature for the Z182 pins. The default at power up is normal drive for Z182 pins. By programming this bit to 1, low noise for the Z182 pins is chosen and the output drive capability of the following pins is reduced to 25% of the original drive capability:

- CKS
- Rxs/CTS1
- TxS
- CKA1/TEND0
- TxA1
- CKA0/DREQ0
- TxA0

Programming this bit to 0 selects normal drive for the Z182 pins. Refer to the Z8S180 Product Specification for Low noise control of Z180 pins.

**INTERRUPT EDGE/PIN MUX REGISTER** (Continued)

**Bit 0.** Programming this bit to 1 selects a 16 cycle wait delay on recovery from HALT. Halt Recovery is disabled if bit 5 of the enhancement register is set to 1. A 0 selects no wait delay on Halt recovery.

If Halt Recovery is selected, the following pins assume the following states during halt and during the recovery, whether it is in HALT, SLP, IDLE or STBY Modes:

Address	=	Z
Data Bus	=	Z
RD	=	Z
WR	=	Z
MREQ/MRD	=	Z
M1	=	1
ST	=	1
IORQ	=	1
BUSACK	=	1
RFSH	=	1
E	=	Note 3
IOCS	=	Z
MWR	=	1 ( <b>Note 4</b> )

**Notes:**

1. This assumes that BUSREQ is not activated during the halt.
2. This assumes that the refresh is not enabled. This would not be a logical case since the address bus is tri-stated during the Halt mode.
3. There is no control on the E line during the halt recovery so transitions on the pin are possible.

**4. This is only true if MWR function is enabled.**

The Halt recovery mode is implemented by applying wait states to the next CPU operation following the exit from halt. All signals listed above are forced to their specified state (unless otherwise noted) during halt and also during the recovery state. Sixteen cycles after the halt pin goes High the signals are released to their normal state, then eight wait states are inserted to allow proper access to accommodate slow memories.

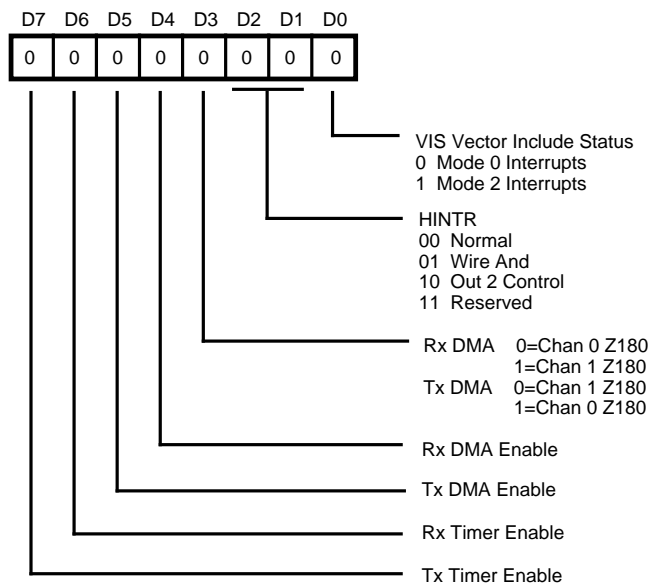
After the first memory access, the wait states will be inserted as programmed in the wait state generators.

In addition, if bit 4 of the Z80182 Enhancement Register is set, the TxDA pin will be tri-stated during Halt and Recovery modes.

## 16550 MIMIC INTERFACE REGISTERS

### MIMIC Master Control Register (MMC)

The 16550 MIMIC interface is controlled by the MMC register. Setting it allows for different modes of operation such as using the 8-bit counters, DMA accesses, and which IRQ structure is used with the PC/XT/AT.



**Figure 60. MIMIC Master Control Register**  
(Z180 MPU Read/Write, Address xxFFH)

#### Bit 7 Transmit Emulation Delay Counter Enable (Read/Write)

If bit 7 is set to 1, it enables the transmit delay timer. When the Z180 reads the Transmit Register, it loads the transmit delay timer from the Transmit Time Constant Register and enables the timer to count down to zero. This timer delays setting the Transmit Holding Register Empty (THRE) bit until the timer times out. If this bit is 0, then THRE is set immediately on a Z180 read of the Transmit Register. This bit also enables the emulation timer used in Transmitter Double Buffering.

#### Bit 6 Receive Emulation Delay Counter Enable (Read/Write)

If bit 6 is set to 1, it enables the receive delay timer. When the Z180 writes to the Receive Buffer, it loads the receive delay timer from the Receive Time Constant Register and enables the timer to count down to zero. This timer delays setting the Data Ready (DR) bit in the LSR until the timer times out. If this bit is 0 then DR is set immediately on a Z180 write to the Receive Buffer.

Both counters are single pass and stop on a count of Zero. Their purpose is to delay data transfer just as if the 16550 UART had to shift the data in and out. This is provided to alleviate any software problems a high speed continuous data transfer might cause to existing software. If this is not a concern, then data can be read and written as fast as the two machines can access the devices. In FIFO mode of operation, the timers are used to delay the status to the PC interface by the time required to actually shift the characters out, or in, if an actual UART were present.

#### Bit 5 Transmit DMA Enable (Read/Write)

If this bit is set to 1, it enables the Transmit DMA function.

#### Bit 4 Receive DMA Enable (Read/Write)

If this bit is set to 1, it enables the Receive DMA function.

#### Bit 3 Receive DMA Channel Select (Read/Write)

If bit 3 is set to 0, then Receive DMA transfer is done through Z180 DMA channel 0 and the Transmit DMA is done through DMA channel 1. If bit 3 is set to 1, then Receive DMA transfer is done through Z180 DMA channel 1 and the Transmit DMA is done through DMA channel 0.

#### Bits 2,1 Interrupt Select (Read/Write).

See Table 15.

#### Bit 0 Vector Include Status (Read/Write)

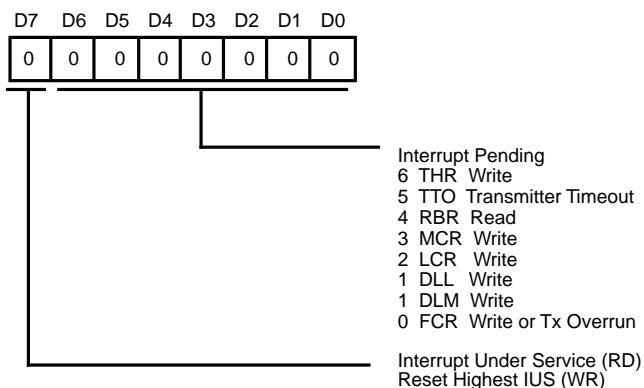
This bit is used to select the interrupt response mode of the Z180. A 0 in this bit enables Mode 0 interrupts; a 1 enables Mode 2 response.

**Table 15. MIMIC Master Control Register**  
**Interrupt Select**

Bit 2	Bit 1	HINTR Function
0	0	HINTR is set to normal 16550 MIMIC mode. A fully driven output is required when external priority arbiters are used.
0	1	A wired AND condition on the HINTR pin is possible to the PC/XT/AT. The interrupt is active High with only the pull-up of the HINTR pin driving; otherwise this pin is tri-state. Wired AND is needed when an external arbiter is not available.
1	0	HINTR is driven when out 2 of the Modem Control Register is 1. HINTR is tri-state when MCR out 2 is 0.
1	1	RESERVED

## IUS/IP Register

The IUS/IP Register is used by the Z180™ MPU to determine the source of the interrupt. This register will have the appropriate bit set when an interrupt occurs.



**Figure 61. IUS/IP Register**  
(Z180 MPU, Address xxFEH)

### Bit 7 Interrupt Under Service (Read/Write)

This bit represents a logical OR of each individual IUS bit for the internal MIMIC interrupt daisy chain. An IUS bit is set when an interrupt is registered (IP set) and enabled (IE set), the incoming IEI daisy chain is active (chain enabled) and an interrupt acknowledge cycle is entered. By writing a 1 to this bit the highest priority IUS bit that is set will be reset. Writing a 0 to this bit has no effect.

**This should be done at the end of every MIMIC Interrupt Service routine.**

### Bit 6 Transmit Holding Register Written (Read Only)

This bit is set when the PC/XT/AT writes to the Transmit Holding Register. It is reset when the Z180 MPU reads the Transmit Holding Register. In FIFO mode, this bit is set when the trigger level is reached (4,8,14 bytes available).

**Note:** The THR bit is set (interrupts) when the transmitter FIFO reaches the data available trigger level set in the MPU FCR control register. The bit and interrupt source is cleared when the number of data bytes falls below the set trigger level.

### Bit 5 Transmitter Timeout with Data in FIFO (Read Only)

This bit is set when the transmitter FIFO has been idle (no read or write and timer decrements to zero) with data bytes below the trigger level. It is cleared when the FIFO is read or written.

### Bit 4 Receive Buffer Read (Read Only)

This bit is set when the PC/XT/AT reads the Receive Buffer Register. It is reset when the Z180 MPU writes to the Receive Buffer Register. In FIFO mode, this bit is set upon the PC reading all the data in the receive FIFO. **Note:** RBR is set and interrupts when the receive FIFO has been emptied by the PC. This bit and interrupt are cleared when one or more bytes are written into the receive FIFO by the MPU.

### Bit 3 Modem Control Register Write (Read Only)

This bit is set when the PC/XT/AT writes to the Modem Control Register. It is reset when the Z180™ MPU reads the Modem Control Register.

### Bit 2 Line Control Register Write (Read Only)

This bit is set when the PC/XT/AT writes to the Line Control Register. It is reset when the Z180 MPU reads the Line Control Register.

### Bit 1 Divisor Latch LS/MS Write (Read Only)

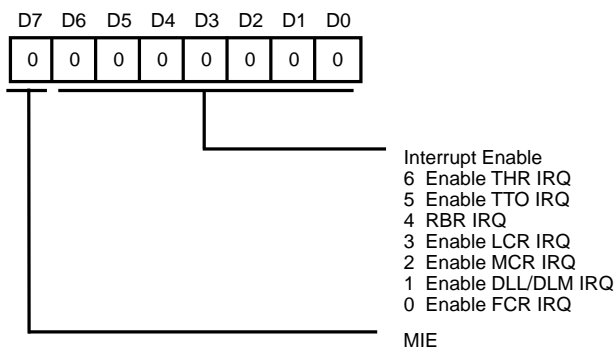
This bit is set when the PC/XT/AT writes to the Divisor Latch Least Significant or Most Significant bytes. It is reset when the PC reads the LS/MS register(s). To determine which byte(s) have been written, the Z180 must read either LS or MS locations and then repoll this bit. If only one location is interrupting, the interrupt is cleared when that location is read by the Z180.

### Bit 0 FIFO Control Register Write (Read Only)

This bit is set when the PC/XT/AT writes to the FCR. This bit is also set when Transmit occurs. It is reset when the Z180 MPU reads this register.

## Interrupt Enable Register

The IE Register allows each of the 16550/8250 interrupts to the Z180™ MPU to be masked off individually or globally.



**Figure 62. IE Register**  
(Z180 MPU, Address xxFDH)

### Bit 7 Master Interrupt Enable (Read/Write)

If bit 7 is 0, all interrupts from the 16550 MIMIC are masked off. If this bit is 1, then interrupts are enabled individually by setting the appropriate bit.

### Bit 6 Enable THR Interrupt (Read/Write)

If this bit is 1, it enables the Transmit Holding Register Interrupt.

### Bit 5 Enable TTO Interrupt (Read/Write)

If this bit is 1, it enables the Transmitter Timeout Interrupt. This interrupts the CPU when characters remain in the FIFO below the trigger level and the FIFO is not read or written for the length of time in the transmitter timeout register.

### Bit 4 Enable RBR Interrupt (Read/Write)

If this bit is 1, it enables the Receive Buffer Register Interrupt.

### Bit 3 Enable LCR Interrupt (Read/Write)

If this bit is 1, it enables the Line Control Register interrupt.

### Bit 2 Enable MCR Interrupt (Read/Write)

If this bit is 1, it enables the Modem Control Register Interrupt.

### Bit 1 Enable DLL/DLM Interrupt (Read/Write)

If this bit is 1, it enables the Divisor Latch Least and Most Significant Byte interrupts.

### Bit 0 Enable FCR Interrupt (Read/Write)

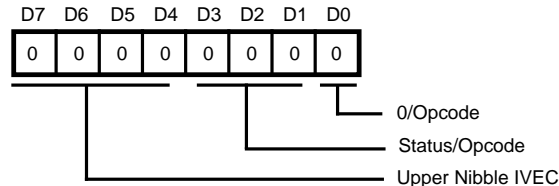
If this bit is 1, then interrupts are enabled for a PC write to the FIFO control register (FCR) or for occurrence of Tx Overrun.

Priority of interrupts are in this order:

- |           |   |                       |
|-----------|---|-----------------------|
| (Highest) | 6 | THR IRQ               |
|           | 5 | TTO IRQ               |
|           | 4 | RBR IRQ               |
|           | 3 | MCR IRQ               |
|           | 2 | LCR IRQ               |
|           | 1 | DLL IRQ               |
|           | 1 | DLM IRQ               |
| (Lowest)  | 0 | FCR or Tx OVERRUN IRQ |

## Interrupt Vector Register

The Interrupt Vector Register contains either the opcode (Z180 Interrupt Mode 0) or the modified vector used as the lower address for a Z180 interrupt service routine (Z180 Interrupt Mode 2), depending upon the VIS bit in the MMC Register (MIMIC Master Control Register). If the VIS bit is 0, then Z180 Mode 0 interrupt is selected; if VIS is 1, then Z180 Mode 2 is selected. Note that in Z180 Interrupt Mode 0, the data input to the MPU during the interrupt acknowledge cycle is an instruction opcode; in Z180 Interrupt Mode 2, this data (modified depending on the source of the interrupt) becomes part of an address from which to get the starting address of the interrupt service routine.



**Figure 63. IVEC Register**  
(Z180 MPU, Address xxFCH)

### Bits 7-4 Upper Nibble IVEC (Read/Write)

These four bits generate either an opcode for Z180 Interrupt Mode 0, or the upper four bits of the interrupt modified vector used as an 8-bit address to support the Z180 Interrupt Mode 2. These bits are read/write and always read back what was last written to them.

### Bits 3-1 Interrupt Modified Vector/Opcode (Read/Write Table 16)

These three bits are the Interrupt Status bits when VIS in the MMC register is 1 (Z180 Interrupt Mode 2). If VIS bit is 0, then this field contains bit 3-bit 1 of the opcode. If the VIS bit is 0, then these bits contain what was last written to them.



**Interrupt Vector Register (Continued)**

**Table 16. Interrupt Status Bits**

Bits 3, 2, 1	Interrupt Request
000	NO IRQ
001	FCR or Tx OVRN IRQ
010	DLL/DLM IRQ
011	LCR IRQ*
100	MCR IRQ*
101	RBR IRQ
110	TTO IRQ
111	THR IRQ

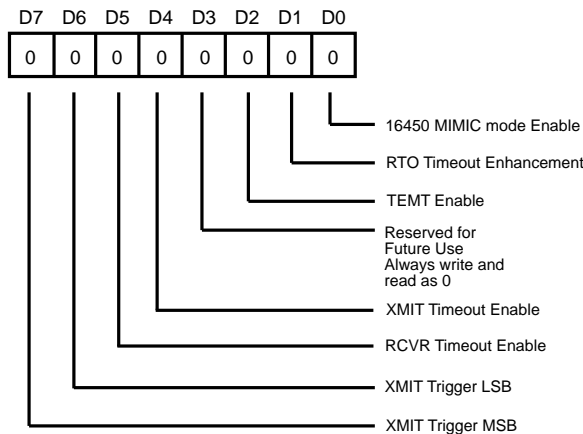
**Note:**\* The order of LCR and MCR does not follow that of the IE Register.

**Bit 0 0/Opcode (Read/Write)**

This bit is always 0 when the VIS bit is 1. If the VIS bit is 0, this bit reads back what was last written to it.

The Interrupt Vector Register serves both interrupt modes. When the VIS bit is 0, the last value written to the register can be read back. If the VIS bit is 1, and an interrupt is pending, the value read is the last value written to the upper nibble plus the status for the interrupt that is pending. If no interrupt is pending, then the last value written to the upper nibble plus the lower nibble is read from the register.

If the vector includes the status, then the lower four bits of the vector change asynchronously depending on the interrupting source. Since this vector changes asynchronously, then the interrupt service routine to read the IVEC register might read the source of the most recent IRQ/INTACK cycle if that IRQ does not have its IUS set.



**Figure 64. FIFO Status and Control Register**  
(Z180 MPU Read/Write, Address xxECH)

**Bit 7 and Bit 6 XMIT Trigger MSB,LSB**

This field determines the number of bytes available to read in the transmitter FIFO before an interrupt occurs to the MPU (Table 17).

**Table 17. Transmitter Trigger Level**

b7	b6	Level (# bytes)
0	0	1
0	1	4
1	0	8
1	1	14

**Bit 5 Receive Timeout Enable**

This bit enables the Z80182/Z8L182 Receive Timeout Timer that is used to emulate the four character timeout delay that is specified by the 16550. If no read or write to the RCVR FIFO has taken place and data bytes are available, but are below the PC trigger level. If this timer reaches zero, an interrupt is sent to the PC.

**Bit 4 Transmitter Timeout Enable**

This bit enables the Z80182/Z8L182 timer that is used to interrupt the Z180 MPU if characters are available, but are below the trigger level. The timer is enabled to count down if this bit is 1 and the number of bytes is below the set transmitter trigger level. The timer will timeout and interrupt the MPU if no read or write to the XMIT FIFO takes place within the timer interval.

**Bit 3 Reserved.** Program to zero.

**Bit 2 (Reset value = 0) TEMT/Double Buffer**

When enabled the Tx buffer can hold one extra byte (2 bytes total in 16450 mode). **(Do not enable in 16550 mode.)**

**TEMT Emulation**

If character delay emulation is not used the TEMT bit is automated. (Refer to page 26 for TEMT/Double Buffer information.)

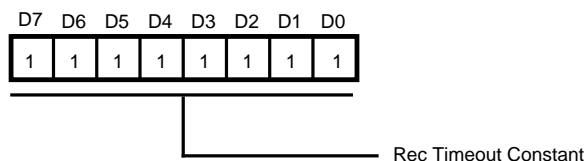
**Bit 1 RTO Timeout Enhancement**

(Reset value = 0) Setting this bit will enable the RTO timeout to emulate the 16550 device. When enabling this feature, the receive timeout timer will not begin counting down until the character emulation timer for each byte of data in the Rx FIFO has expired.



**Bit 0 16450 MIMIC Mode Enable**

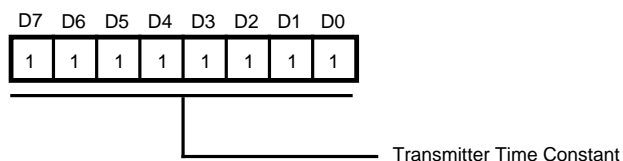
(Reset value=0) This bit = 1 will force the mimic into 16450 mode. Bit 0 in the FCR reg is forced to zero as well as the mimic internal FIFO enable. When used, this bit should be programmed at MIMIC initialization and not modified afterwards.



**Figure 65. Receive Timeout Timer Constant**  
(Z180 MPU Read/Write, Address xxEAH)

This register contains an 8-bit constant for emulation of the 16550 four character timeout feature. Software must determine the value to load into this register based on the bit rate and word length specified by the MIMIC interface with the PC. This timer receives its input from the /TRxCB Clock of the ESCC. This timer is enabled to down count when the enable bit in the FSR register is set and the trigger level interrupt has not been activated on the RCVR FIFO. The counter reloads and counts down each time there is a read or write to the RCVR FIFO.

The receive timeout timer is enhanced to emulate the actual 16550 when bit 1 of the FIFO status and control register is enabled. Under most circumstances, this register should be programmed for four character timers (40d, 8-N-1).



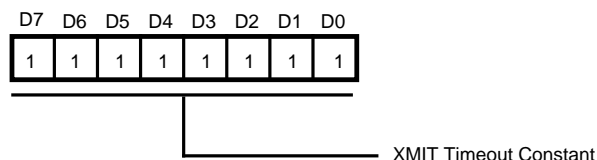
**Figure 66. Transmitter Timeout Timer Constant**  
(Z180 MPU Read/Write, Address xxEBH)

This register contains an 8-bit constant for determining the interval for the Transmit Timeout Timer. If allowed to decrement to zero, this timer interrupts the MPU by setting the THR bit in the IUS/IP register. This timer receives its input from the /TRxCB Clock of the SCC. The timer is enabled to down count when the enable bit in the FSR register is set and the trigger level has not been reached on the XMIT FIFO. The counter reloads each time there is a read or write to the XMIT FIFO.

**Transmit And Receive Timers**

Because of the speed at which data transfers can take place between the Z180™ MPU and the PC/XT/AT, two timers have been added to alleviate any software problems that a high speed parallel data transfer might cause. These timers allow the programmer to slow down the data transfer just as if the 16550 MIMIC interface had to shift the data in and out serially. The Timers receive their input from the /TRxCB Clock since, in 16550 MIMIC mode, the ESCC channel B is disabled. For example, the clock source for the 8-bit registers: RTTC (Receive Timeout Time Constant, xxEAH), TTTC (Transmit Timeout Time Constant, xxEBH), TTCR (Transmit Time Constant Register, xxFAH) and RTCR (Receive Time Constant Register, xxFBH) uses the /TRxCB Clock output. The /TRxCB Clock output needs to be generated by the ESCC's channel B's 16-bit BRG as its clock source, thus allowing the programmer to access a total of 24 bits as a timer to slow down the data transfer.

In most cases, ESCC Ch. B BRG should be programmed to output at a frequency equivalent to the desired serial transfer rate. The output of the BRG should be routed to the /TRxCB pin.

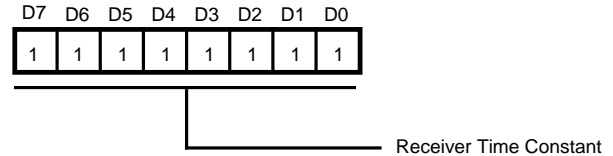


**Figure 67. Transmitter Time Constant Register**  
(Z180 MPU Read/Write, Address xxFAH)

## Transmit And Receive Timers (Continued)

When a write from the PC/XT/AT is made to the Transmit Holding Register, an interrupt to the Z180 MPU is generated. The Z180 MPU then reads the data in the Transmit Holding Register. Upon this read, if the Transmitter timer is enabled, the time constant from the Transmitter Time Constant Register is loaded into the Transmitter timer and enables the count. After the timer reaches a count of zero the Transmit Holding Register Empty bit is set. However, the above is only true when the PC/XT/AT is reading the Transmit Holding Register Empty bit. To allow the Z180 MPU to know that it has already read the byte of data, immediately following a read from the Transmit Holding Register, a mirrored Transmit Holding Register, Empty bit is set. This mirrored bit is always read back to the Z180 MPU when it reads the Line Status Register.

If the transmitter timer is not enabled when the Z180 MPU reads the Transmit Holding Register, both Transmit Holding Register Empty bits are set immediately. In FIFO mode of operation, the effect is similar as the status to PC is always delayed such that a PC interrupt for empty FIFO will not occur before the time required for each character read from the FIFO by the Z180 has elapsed. The effect is that the PC will not see data requests from an empty FIFO any faster than would occur with a true UART when the delay feature is enabled. This timer is also used to delay data transfer for TSR buffer to Z80182 THR in double buffer mode.



**Figure 68. Receive Time Constant Register**  
(Z180 MPU Read/Write, Address xxFBH)

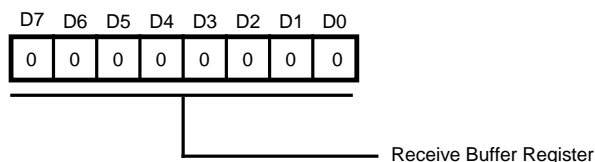
When the Z180™ MPU writes to the Receive Buffer register and the Receive Timer is enabled, the Receive Timer is loaded with the Receive Time Constant, the timer is enabled and counts down to zero. When the timer reaches zero, the Data Ready bit in the Line Status Register is set. As with the Transmit Timer, the Data Ready bit is also mirrored. Immediately upon a write to the Receive Buffer, the mirrored bit is set to let the Z180 MPU know that the byte has already been written. If the timer is not enabled, then both Data Ready bits are set immediately upon a write to the Receive Buffer. The FIFO mode of operation is similar in that the status to the PC is always delayed by the time required for each character written to the FIFO by the Z180. The effect is that the PC will not see a FIFO trigger level or DMA request faster than would occur with a true UART when the delay feature is enabled.

## 16550 MIMIC REGISTERS

The Z80182/Z8L182 contains the following set of registers for interfacing with the PC/XT/AT.

- Receive Buffer Register
- Transmit Holding Register
- Interrupt Enable Register
- Interrupt Identification Register
- FIFO Control Register
- Line Control Register
- Modem Control Register
- Line Status Register
- Modem Status Register
- Scratch Register
- Divisor Latch Least/Most Significant Bytes
- FIFO Control Register

These registers emulate the 16550 UART and enable the PC/XT/AT to interface with them as with an actual 16550 UART. This allows the Z80182/Z8L182 to be software compatible with existing modem software.

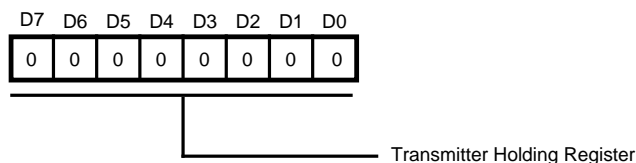


**Figure 69. Receive Buffer Register**

(PC Read Only, Address 00H, DLAB=0, R/W=Read)  
(Z180™ MPU Write Only, Address XXF0H)

### Receive Buffer Register

When the Z180 has assembled a byte of data to pass to the PC/XT/AT, it places it in the Receive Buffer Register. If the Received Data Available interrupt is enabled then an interrupt is generated for the PC/XT/AT and the Data Ready bit is set (if the Receive Timer is enabled, the interrupt and setting of the Data Ready bit is delayed until after the timer times out). Also the shadowed bits of the Line Status Register are transferred to their respective bits when the Z180 MPU writes to the Receive Buffer Register (See Line Status Register Bits 1, 2, 3 and 4). This allows a simultaneous setting of error bits when the data is written to the Receive Buffer Register. In FIFO mode this address is used to read (PC) and write (Z180) the Receive FIFO.

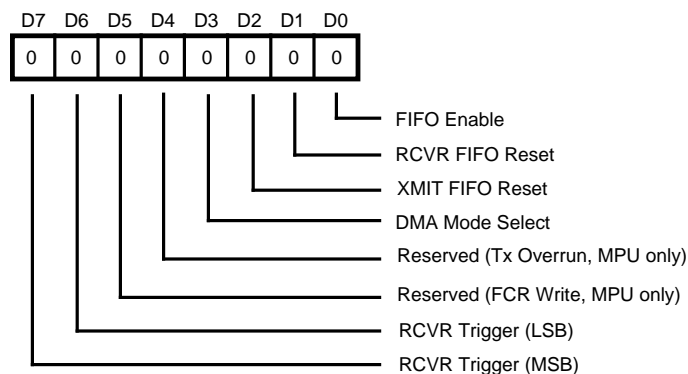


**Figure 70. Transmit Holding Register**

(PC Write Only, Address 00H, DLAB=0, R/W=Write)  
(Z180 MPU Read Only, Address xxF0H)

### Transmit Holding Register

When the PC/XT/AT writes to the Transmit Holding Register, the Z80182/Z8L182 responds by setting the appropriate bit in the IP register and by generating an interrupt to the Z180 MPU if it is enabled. When the Z180 MPU reads this register the Transmit Holding Register empty flag is set (if the transmitter timer is enabled, this bit is set after the timer times out). In FIFO mode of operation, this address is used to read (Z180) and write (PC) the Transmitter FIFO.



**Figure 71. FIFO Control Register**

(PC Write Only, Address 02H)  
(Z180 MPU Read Only, Address xxE9H)

## 16550 MIMIC REGISTERS (Continued)

### FIFO Control Register

#### Bit 6 and Bit 7 RCVR trigger LSB and MSB bits

This 2-bit field determines the number of available bytes in the receiver FIFO before an interrupt to the PC occurs (see Table 18).

#### Bit 4 and Bit 5

Reserved for future use (PC side). Note: From the MPU side, bit 4 and bit 5 flags two sources of interrupts. Bit 5 is a FIFO interrupt indicating that the FCR had changed; bit 4 is a Tx overrun interrupt, indicating transmit overrun. A read of the FCR from the MCU side will clear a previously set bit 4 or bit 5.

#### Bit 3 DMA mode select

Setting this bit to 1 will cause the MIMIC DMA mode to change from mode 0 to mode 1 (if bit 0 is 1, FIFO mode is enabled). This affects the DMA mode of the FIFO. A 1 in this bit enables multi-byte DMA).

#### Bit 2 XMIT FIFO Reset

Setting this bit to 1 will cause the transmitter FIFO pointer logic to be reset; any data in the FIFO will be lost. This bit is self clearing; however a shadow bit exists that is cleared only when read by the Z180 MPU, allowing the MPU to monitor a FIFO reset by the PC.

#### Bit 1 RCVR FIFO Reset

Setting this bit to 1 will cause the receiver FIFO pointer logic to be reset; any data in the FIFO will be lost. This bit is self clearing, however a shadow bit exists that is cleared only when read by the Z180 MPU, allowing the MPU to monitor a FIFO reset by the PC.

#### Bit 0 FIFO Enable

The PC writes this bit to logic 1 to put the 16550 MIMIC into FIFO mode. This bit must be 1 when writing to the other bits in this register or they will not be programmed. When this bit changes state, any data in the FIFO's or transmitter holding and Receive Buffer Registers is lost and any pending interrupts are cleared. This feature can be forced in a disabled state by the MPU.

Table 18. Receive Trigger Level

b7	b6	Trigger Level, Number of Bytes
0	0	1
0	1	4
1	0	8
1	1	14

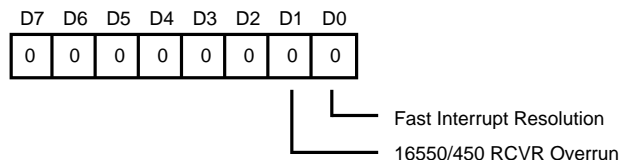


Figure 72. MIMIC Modification Register  
(Z180 MPU Write only, Address xxE9h)

**Bit 7-2 Reserved.** Program to zero.

#### Bit 1 RCVR Overrun Modification

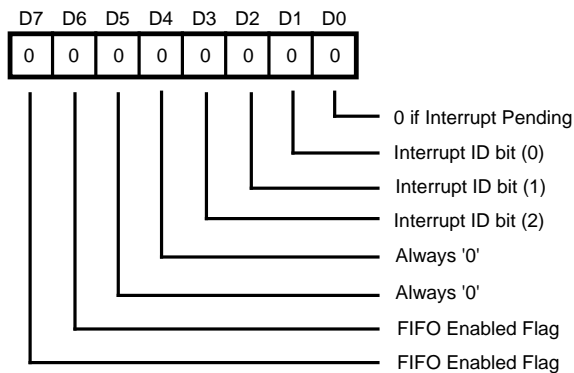
The actual 16450/16550 device allows the last position in FIFO to be overwritten by DCE during receiver overrun condition. When this bit is enabled (programmed to 1) the last position in FIFO can be overwritten by Z180 during receiver overrun. This feature is disabled by default. When this modification is not enabled, the MIMIC will ignore any write to RBR during an overrun condition.

#### Bit 0 Fast MIMIC-ESCC Interrupt Resolution

When enabling this modification, the internal MIMIC IEO signal into the ESCC IEI input is forced Low when the MIMIC Interrupt line becomes active. This is required to prevent the ESCC from putting it's vector on the databus during an INTACK cycle (given that the MIMIC is programmed to have higher interrupt priority).

When disabled, the internal MIMIC IEO becomes deasserted only after an interrupt acknowledge cycle. In this case, it is possible for the ESCC to force it's interrupt vector onto the data bus even when the MIMIC has a pending interrupt and is higher in priority.

Although this bit is disabled by default, it is advised that this bit is enabled to prevent interrupt conflict between MIMIC and ESCC interrupts.



**Figure 73. Interrupt Identification Register**  
(PC Read Only, Address 02H)  
(Z180 MPU no access)

## Interrupt Identification Register

### Bit 7 and Bit 6 FIFO's Enabled

These bits will read 1 if the FIFO mode is enabled on the MIMIC.

### Bit 5 and Bit 4 Always Read 0

Reserved bits.

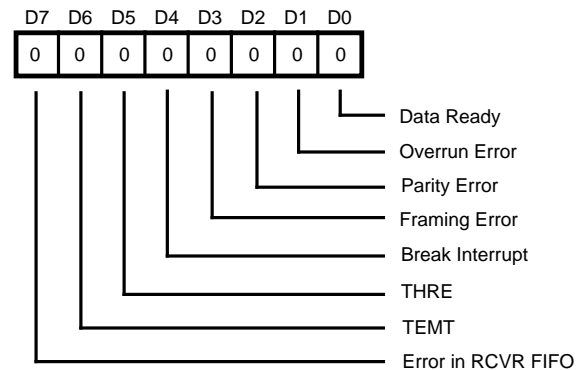
### Bits 3-1 Interrupt ID Bits

This 3-bit field is used to determine the highest priority interrupt pending (see Table 19).

### Bit 0 Interrupt Pending

This bit is logic 0 and interrupt is pending.

When the PC accesses the IIR, the contents of the register and all pending interrupts are frozen. Any new interrupts will be recorded, but not acknowledged, during the IIR access.



**Figure 74. Line Status Register**  
(PC Read Only, Address 05H)  
(Z180 MPU Read/Write bits 6, 4, 3, 2, Address xxF5H)

**Table 19. Interrupt Identification Field**

b3	b2	b1	Priority	Interrupt Source	INT Reset Control
0	1	1	Highest	Overrun, Parity, Framing error or Break detect bits set by MPU	Read Line Status Register
0	1	0	2nd	Received Data trigger level	RCVR FIFO drops below trigger level
1	1	0	2nd	Receiver Timeout with data in RCVR FIFO.	Read RCVR FIFO
0	0	1	3rd	Transmitter Holding Register Empty.	Writing to the Transmitter Holding Register or reading the Interrupt Identification Register when the THRE is the source of the interrupt.
0	0	0	4th	MODEM status: CTS, DSR, RI or DCD	Reading the MODEM status register.

**16550 MIMIC REGISTERS** (Continued)**Line Status Register****Bit 7 Error in RCVR FIFO**

In 16450 mode, this bit will read logic 0. In 16550 mode this bit is set if at least one data byte is available in the FIFO with one of its associated error bits set. This bit will clear when there are no more errors (or break detects) in the FIFO.

**Bit 6 Transmitter Empty**

This bit must be set or reset by the MPU by a write to this register bit. If Double Buffer Mode is enabled, the TEMT bit is set/reset automatically. The function of this bit is modified when TEMT/Double Buffer enhancement is selected. Refer to page 3-26 for TEMT/Double Buffer information.

**Bit 5 Transmit Holding Register Empty, THRE**

This bit is set to 1 when either the THR has been read (emptied) by the MPU (16450 mode) or the XMIT FIFO is empty (16550 mode). This bit is set to 0 when either the THR or XMIT FIFO become non-empty. A shadow bit exists so that the register bit setting to 1 is delayed by the Transmitter Timer if enabled. The MPU when reading this bit will not see the delay. Both shadow and register bits are cleared when the PC writes to the THR or XMIT FIFO. The function of this bit is modified when TEMT/Double Buffer enhancement is selected. Refer to page 3-26 for TEMT/Double Buffer information.

**Bit 2, 3, 4 Parity Error, Framing Error, Break Detect**

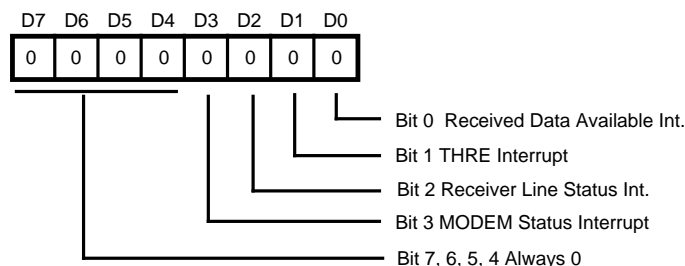
These bits are written, indirectly, by the MPU as follows: The bits are first written to shadow bit locations when the MPU write accesses the LSR. When the next character is written to the Receive Buffer or RCVR FIFO, the data in the shadow bits is then copied to the LSR (16450 mode) or FIFO RAM (16550 mode). In FIFO mode bits become available to the PC when the data byte associated with the bits is next to be read (top of FIFO). In FIFO mode, with successive reads of the receiver, the status bits will be set if an error occurs on any byte. Once the MPU writes to the Receive Buffer or RCVR FIFO, the shadow bits are auto cleared. The register bits are cleared upon the PC reading the LSR. In FIFO mode these bits will be set if any byte has the respective error bit set while the PC reads multiple characters from the FIFO.

**Bit 1 Overrun Error**

This bit is set if the Z180 MPU makes a second write to the Receive Buffer before the PC reads the data in the Buffer (16450 mode) or with a full RCVR FIFO (16550 mode.) No data will be transferred to the RCVR FIFO under these circumstances. This bit is reset when the PC reads the Line Status Register.

**Bit 0 Data Ready**

This bit is set to 1 when received data is available, either in the RCVR FIFO (16550 mode) or Receive Buffer Register (16450 mode). This bit is set immediately upon the MPU writing data to the Receive Buffer or FIFO if the Receive Timer is not enabled but is delayed by the timer interval if the Receive Timer is enabled. For MPU read access a shadow bit exists so that the MPU does not see the delay the PC does. Both bits are cleared to logic zero immediately upon reading all the data in either the Receive Buffer or FIFO.



**Figure 75. Interrupt Enable Register**  
(PC Read/Write, Address 01H)  
(Z180 MPU Read Only, Address xxF1H)

**Interrupt Enable Register****Bits 7, 6, 5, 4 Reserved**

These bits will always read 0 (PC and MPU).

**Bit 3 Modem Status IRQ**

If bits 0, 1, 2 or 3 of the Modem Status Register are set and this enable bit is a logic 1, then an interrupt to the PC is generated.

**Bit 2 Receive Line Status IRQ**

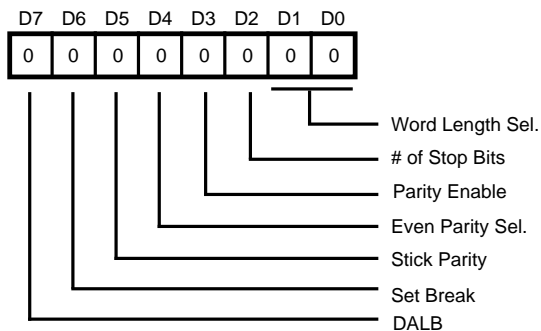
If bits 1, 2, 3 or 4 of the LSR are set and this enable bit is a logic 1, then an interrupt to the PC is generated.

**Bit 1 Transmit Holding Register Empty IRQ**

If bit 5 of the LSR is set and this enable bit is a logic 1, then an interrupt to the PC is generated.

**Bit 0 Received Data Available IRQ**

If bit 0 of the LSR is set or a Receive Timeout occurs and this enable bit is a logic 1, then an interrupt to the PC is generated.



**Figure 76. Line Control Register**  
(PC Read/Write, Address 03H)  
(Z180 MPU Read Only, Address xxF3H)

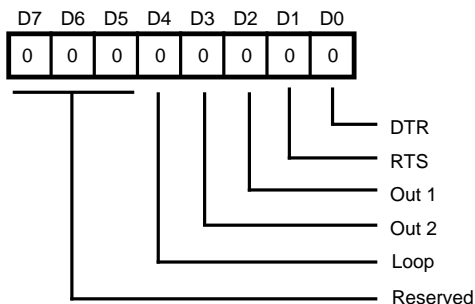
## Line Control Register

### Bit 7 Divisor Latch Access Bit (DALB)

This bit allow access to the divisor latch by the PC/XT/AT. If this bit is set to 1, access to the Transmitter, Receiver and Interrupt Enable Registers is disabled. When an access is made to address 0 the Divisor Latch Least Significant byte is accessed. If an access is made to address 1, the Divisor Latch Most Significant byte is accessed.

### Bit 6 - Bit 0

These bits do not affect the Z80182/Z8L182 directly, however they can be read by the Z180 MPU and the 16550 MIMIC modes can be emulated by the Z180 MPU.



**Figure 77. Modem Control Register**  
(PC Read/Write, Address 04H)  
(Z180 MPU Read Only, Address xxF4H)

## Modem Control Register

### Bit 7-5 Reserved

Reserved for future use, always 0.

### Bit 4 Loop

When this bit is set to 1, D3-D0 field reflects the status of Modem Status Register, as follows:

RI = Out 1  
 DCD = Out 2  
 DSR = DTR  
 CTS = RTS

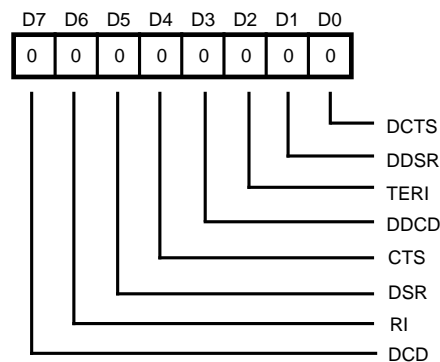
Emulation of the 16550 UART loop back feature must be done by the Z180 MPU, except in the above conditions.

### Bit 3 Out 2

This bit controls the tri-state on the HINTR pin if bits 2 and 1 are 10. Otherwise it can be read by the Z180 MPU.

### Bits 2, 1, 0

These bits have no direct control of the 16550 MIMIC interface and the Z180 MPU must emulate the function if it is to be implemented.



**Figure 78. Modem Status Register**  
(PC Read Only, Address 06H)  
(Z180 MPU Read/Write bits 7-4, Address xxF6H)



## 16550 MIMIC REGISTERS (Continued)

### Modem Status Register

#### Bit 7 Data Carrier Detect

This bit must be written by the Z180 MPU.

#### Bit 6 Ring Indicator

This bit must be written by the Z180 MPU.

#### Bit 5 Data Set Ready

This bit must be written by the Z180 MPU.

#### Bit 4 Clear to Send

This bit must be written by the Z180™ MPU.

#### Bit 3 Delta Data Carrier Detect

This bit is set to 1 whenever the Data Carrier Detect bit changes state. This bit is reset when the PC/XT/AT reads the Modem Status Register.

#### Bit 2 Trailing Edge Ring Indicator

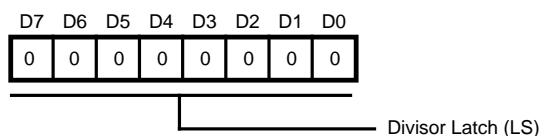
This bit is set to 1 on the falling edge of the Ring Indicator bit. This bit is reset when the PC/XT/AT reads the Modem Status Register.

#### Bit 1 Delta Data Set Ready

This bit is set to 1 whenever the Data Set Ready bit changes state. This bit is reset when the PC/XT/AT reads the Modem Status Register.

#### Bit 0 Delta Clear To Send

This bit is set to 1 whenever the Clear To Send bit changes state. This bit is reset when the PC/XT/AT reads the Modem Status Register.

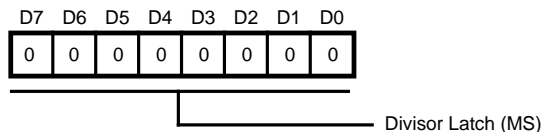


**Figure 79. Scratch Register**  
(PC Read/Write, Address 07H)  
(Z180 MPU Read Only, Address xxF7H)

### Scratch Register

#### Bits 7-0 Scratch Register

This register is used by the PC/XT/AT programmer for temporary data storage. The Z180 MPU is able to read this register. If the PC/XT/AT writes to this register, no interrupt to the Z180 MPU is generated.

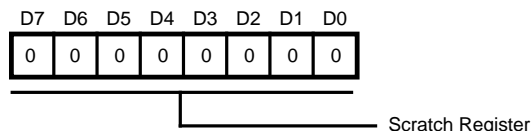


**Figure 80. Divisor Latch (LS)**  
(PC Read/Write, Address 00H and DLAB=1)  
(Z180 MPU Read Only, Address xxF8H)

### Divisor Latch (LS)

#### Bit 7-0 Divisor Latch Most Significant Byte (MS)

This register contains the Low order byte of the Baud rate divisor. Writing to this register with the PC/XT/AT will generate an interrupt to the Z180 MPU. It can then read the Baud rate divisor and set up the application.



**Figure 81. Divisor Latch (MS)**  
(PC Read/Write, Address 01H and DLAB=1)  
(Z180 MPU Read Only, Address xxF9H)

### Divisor Latch (MS)

#### Bit 7-0 Divisor Latch Most Significant Byte (MS)

This register contains the High order byte of the Baud rate divisor. Writing to this register with the PC/XT/AT will generate an interrupt to the Z180 MPU. It can then read the Baud rate divisor and set up the application.



## Z80182 ENHANCEMENTS REGISTER

### Bit <7-6> Reserved

### Bit 5 Force Z180 Halt Mode

If this bit is set to 1, it disables the 16 cycle halt recovery and halt control over the busses and pins. This bit is used to allow DMA and Refresh Access to take place during halt (like Z180). This bit is set to 0 on reset.

### Bit 4 TxDA Tri-state

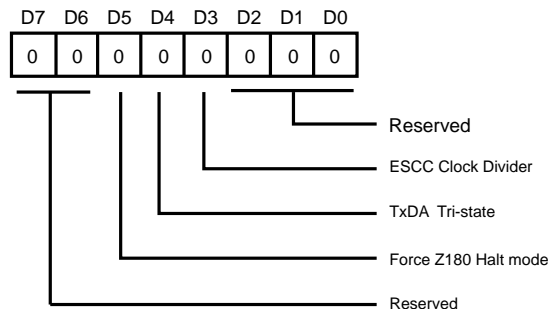
The TxDA pin can be tri-stated on assertion of the /HALT pin. This prevents the TxDA from driving and external device when /HALT output is used to force other devices into power-down modes. This feature is disabled on power-up or reset. It is also controlled by bit 5 in the enhancement register, this feature is disabled if bit 5 is set.

### Bit 3 ESCC Clock Divider

The ESCC clock can be provided with the Z180 core's PHI clock or by a PHI clock divide by 2 circuit. When this bit is set, the ESCC's clock will be Z180's PHI clock divided by

two. Upon power-up or reset, the ESCC clock frequency is equal to the Z180 core's PHI clock output.

**Note:** If operating above 20 MHz/5V or 10 MHz/3V, this bit should be set for ESCC divide-by-two mode.

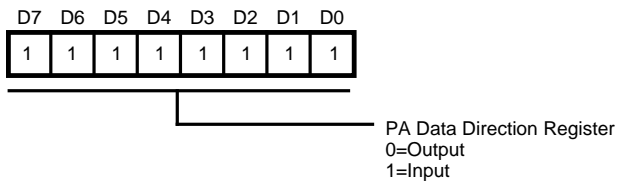


**Figure 82. Z80182 Enhancements Register**  
(Z180 MPU Read/Write, Address xxD9H)

## PARALLEL PORTS REGISTERS

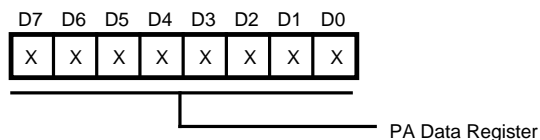
The Z80182/Z8L182 has three 8-bit bi-directional Ports. Each bit is individually programmable for input or output. The Ports consist of two registers the Port Direction Control Register and the Port Data Register. The Port and direction register can be accessed in any page of I/O space since only the lowest eight address lines are decoded. Bits PC7 and PC6 are input only bits and have the special function of reading the external value of the /INT2 and /INT1 pins. Writing '1' to these bits will clear the edge detect interrupt logic when operating /INT2 and/or /INT1 in edge detect mode.

When Port B and Port C bits 5-0 are deselected in the System Configuration Register, the Data and Data Direction Registers are still available as read/write scratch registers. If a Port is deselected and if the DDR bit is a '0', then the written value to that bit will be latched and this value can be read back. If a Port is deselected and if the DDR bit is a '1', then you could read only the external pin value; any write to that bit is latched but can be read back only with DDR=0.



**Figure 83. PA, Port A, Data Direction Register**  
(Z180 MPU Read/Write, Address xxEDH)

The data direction register determines which are inputs and outputs in the PA Data Register. When a bit is set to 1 the corresponding bit in the PA Data Register is an input. If the bit is 0, then the corresponding bit is an output.

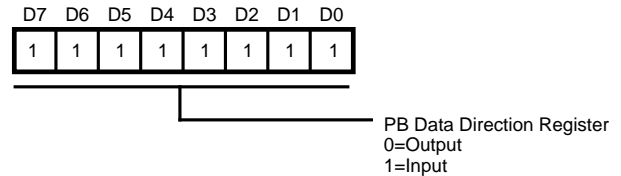


**Figure 84. PA, Port A, Data Register**  
(Z180 MPU Read/Write, Address xxEEH)

When the Z180 MPU writes to the PA Data Register the

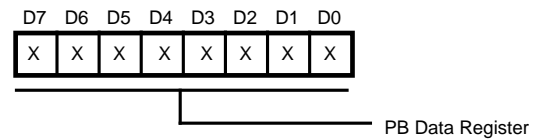
data is stored in the internal buffer. The values of the PA Data Register are undefined after reset. Any bits that are output are then sent on to the output buffers.

When the Z180 MPU reads the PA Data Register the data on the external pins is returned.



**Figure 85. PB, Port B, Data Direction Register**  
(Z180 MPU Read/Write, Address xxE4H)

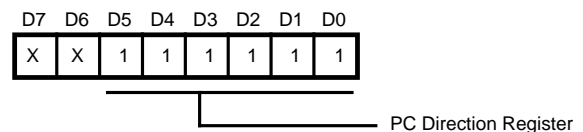
The data direction register determines which are inputs and outputs in the PB Data Register. When a bit is set to 1 the corresponding bit in the PB Data Register is an input. If the bit is 0 then the corresponding bit is an output.



**Figure 86. PB, Port B, Data Register**  
(Z180 MPU, Address xxE5H)

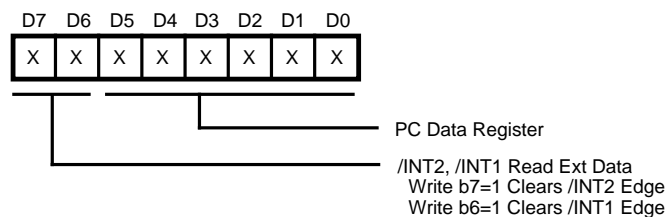
When the Z180 MPU writes to the PB Data Register the data is stored in the internal buffer. The values of Port B data register are undefined after reset. Any bits that are output are then sent on to the output buffers.

When the Z180 MPU reads the PB Data Register, the data on the external pins is returned.



**Figure 87. PC, Port C, Data Direction Register**  
(Z180 MPU Read/Write, Address xxDDH)

The data direction register determines which are inputs and outputs in the PC Data Register. When a bit is set to 1 the corresponding bit in the PC Data Register is an input. If the bit is 0, then the corresponding bit is an output.



**Figure 88. PC, Port C, Data Register**  
(Z180 MPU Read/Write, Address xxDEH)

When the Z180 MPU writes to the PC Data Register, the data is stored in the internal buffer. The values of Port C data register are undefined after reset. Any bits that are output are then sent on to the output buffers.

When the Z180 MPU reads the PC Data Register, the data on the external pins is returned.

Bits 6 and 7 serve the special function of reading the value of the external /INT2 and /INT1 lines. When operating either /INT2 or /INT1 in edge detection mode, the edge detect latch is reset by writing a 1 to bit 6 or 7 respectively. Writing a 0 has no effect. **These latches should be reset at the end of an /INT1 or /INT2 interrupt service routine when using edge-triggered interrupt modes.**

## 16550 MIMIC INTERFACE DMA

The 16550 MIMIC is also able to do direct DMA with the PC/XT/AT. DMA is enabled by setting bits 3, 4 and 5 of the Master Control Register. DMA is accomplished by using the two DMA pins and the Transmitter Holding and Receive Data Registers.

If bit 5 is 1, the /HTxRDY pin is equal to the complement of the Transmit Holding Register Empty bit. If bit 5 is 1 and bit 3 is 0 the external /DREQ1 pin of the Z180 MPU is disabled and the internal /DREQ1 is equal to the complement of the Transmit Holding Register Empty Shadow bit. If bit 5 is 1 and bit 3 is 1 the external /DREQ0 pin of the Z180 MPU is

disabled and the internal /DREQ0 is equal to the complement of the Transmit Holding Register Empty Shadow bit.

If bit 4 is 1, then the /HRxRDY pin is equal to the complement of the Data Ready bit. If bit 4 is 1 and bit 3 is 0 the external /DREQ0 pin of the Z180 MPU is disabled and the internal /DREQ0 is equal to the complement of the Data Ready Shadow bit. If bit 4 is 1 and bit 3 is 1 the external /DREQ1 pin of the Z180 MPU is disabled and the internal /DREQ1 is equal to the complement or the Data Ready Shadow bit.

## Z80182/Z8L182 MIMIC DMA CONSIDERATIONS

For the PC Interface, the 16550 device has two modes of operation that need to be supported by the MIMIC. In single transfer mode, the DMA request line for the receiver goes active whenever there is at least one character in the RCVR FIFO. For the transmitter, the DMA request line is active on an empty XMIT FIFO and inactive on non-empty.

In multi-transfer mode, the RCVR DMA goes active at the trigger level and inactive on RCVR FIFO empty. The XMIT DMA is active on non-full XMIT FIFO and inactive on a full XMIT FIFO.

Bit 3 in the FCR controls the DMA mode for the PC interface. If a 1 is programmed into this bit, multi-byte DMA is enabled. A 0 in this bit (default) enables single byte DMA.

As specified, the 16550 does not have any means of handling the error status bits in the FIFO in this multi-transfer mode. Such DMA transfers would require blocks with some checksum or other error checking scheme.

For the MPU interface, the DMA is controlled by a non-empty transmit FIFO and by a non-full receive FIFO conditions (THRE and the DR bits in the LSR). If the delay timers are enabled, the respective shadow bits are used for DMA control. The effect of the DMA logic is to request DMA service when at least one byte of data is available to be read or written to the FIFO's by the Z180. The Z180's DMA channel can be programmed to trigger on edge or on level.

## EMULATION MODES

The Z80182/Z8L182 provides four modes of operation. The modes are selected by the EV1 and EV2 pins. These four modes allow the system development and commercial

production to be done with the same device. The four emulation modes are shown in Table 20.

**Table 20. EV2 and EV1, Emulation Mode Control**

	EV2	EV1	EV Description
Mode 0	0	0	Normal Mode, on-chip Z180 bus master
Mode 1	0	1	Emulation Adapter Mode
Mode 2	1	0	Emulator Probe Mode
Mode 3	1	1	RESERVED, for Test Use Only

### Mode 0 Normal Mode

This is the normal operating mode for the Z80182/Z8L182.

### Mode 1 Emulation Adapter Mode

The Emulation Adaptor Mode enables system development for the Z182 with a readily available Z180 emulator. The Emulator provides the Z180™ MPU and Z180 peripheral functions to the target system, with their signals passing

through the emulation adapter. In Emulation Adaptor Mode the Z182s, Z180 MPU and Z180 peripheral signals are tri-state or physically disconnected. The Z182 continues to provide its ESCC, MIMIC, chip select, and Port functions and signals to the target system. The Mode 1 effects on the Z182 are shown in Table 21. Note that INT1-2 Edge Detect Logic cannot be used in Emulation Adaptor EV Mode 2.

**EMULATION MODES** (Continued)**Table 21. Emulation Mode 1**

Signal	Normal Mode 0	Emulation Adaptor Mode 1
PHI	Output	Input
/M1	Output	Input
/MREQ,/MRD	Output	Input
/IORQ	Output	Input
/RD	Output	Input
/WR	Output	Input
/RFSH	Output	Input
/HALT	Output	Input
ST	Output	Input
E	Output	Tri-state
/BUSACK	Output	Input
/WAIT	Input	Output
A19,A18/T <sub>OUT</sub>	Output	Input
A17-A0	Output	Input
D7-D0	Input/Output	Input/Output
TxA0	Output	Tri-state
/RTS0	Output	Tri-state
TxA1	Output	Tri-state
/INT0	Input	Output, Open-Drain

**Mode 2 Emulation Probe Mode**

In the Emulator Probe Mode all of the Z182 output signals are tri-state. This scheme allows a Z182 emulator probe to grab on to the Z182 package leads on the target system.

**Mode 3 RESERVED (for test purposes only)**

This mode is reserved for test purpose only, do not use.

**Notes:**

Z182 has two branches of reset. /RESET controls the Z182 overall configuration, RAM and ROM boundaries, plus the ESCC, Port and the 16550 MIMIC interface. In Normal Mode, a "one shot" circuit samples the input of the /RESET pin to assert the internal reset to its proper duration. In Adapter Mode, this "one shot" circuit is bypassed. Note also that the Z180's crystal oscillator is disabled in Mode 1 and Mode 2.

In Mode 1 the emulator must provide /MREQ on the (/MREQ,/MRD) Z80182/Z8L182 pin (not /MRD); and A18 (not T<sub>OUT</sub>) on the A18/T<sub>OUT</sub> pin.

**SLEEP, HALT EFFECT ON MIMIC AND 182 SIGNALS**

The following Z80182/Z8L182 signals are driven High when Z180™ MPU enters a SLEEP or HALT state:

- /MRD when selected in the Interrupt Edge/Pin MUX Register.
- /MWR when selected in the Interrupt Edge/Pin MUX Register.
- /ROMCS,/RAMCS always High in SLEEP or HALT.

The following signals are High-Z during SLEEP and HALT:

- /IOCS when so selected in the Interrupt Edge/Pin MUX Register.
- /RD and /WR.

A0-A19 (A18 if selected) always High-Z in power down.

D0-D7 always High-Z in power down modes.

The MIMIC logic of the 182 is disabled during power down modes of the Z180.

**ABSOLUTE MAXIMUM RATINGS**

Voltage on $V_{CC}$ with respect to $V_{SS}$ .....	-0.3V to +7.0V
Voltages on all inputs with respect to $V_{SS}$ .....	-0.3V to $V_{CC} + 0.3V$
Operating Ambient Temperature .....	0 to +70°C
Storage Temperature .....	-55°C to +150°C

Stresses greater than those listed under Absolute Maximum Ratings may cause permanent damage to the device. This is a stress rating only; operation of the device at any condition above those indicated in the operational sections of these specifications is not implied. Exposure to absolute maximum rating conditions for extended periods may affect device reliability.

**STANDARD TEST CONDITIONS**

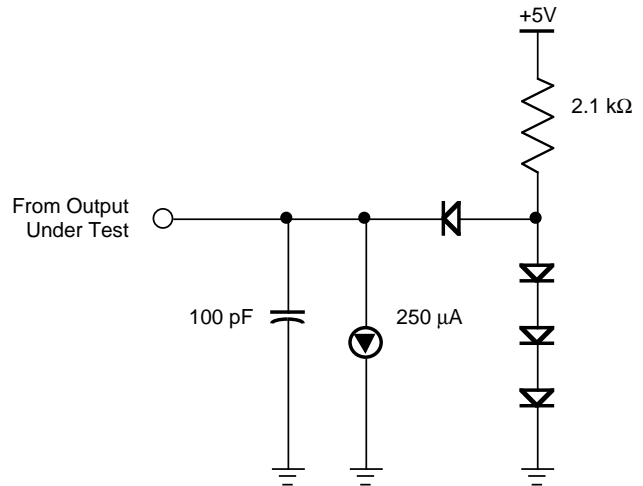
The DC Characteristics and capacitance sections below apply for the following standard test conditions, unless otherwise noted. All voltages are referenced to GND (0V). Positive current flows into the referenced pin (Figure 89).

Available operating temperature range is:  
S = 0°C to +70°C

Voltage Supply Range:  
+4.50V ≤  $V_{CC}$  ≤ + 5.50V Z80182  
+3.0V ≤  $V_{CC}$  ≤ + 3.60V Z8L182

All AC parameters assume a load capacitance of 100 pF. Add 10 ns delay for each 50 pF increase in load up to a maximum of 150 pF for the data bus and 100 pF for address and control lines. AC timing measurements are referenced to 1.5 volts (except for clock, which is referenced to the 10% and 90% points). Maximum capacitive load for CLK is 125 pF.

**Note:** The ESCC™ Core is only guaranteed to operate at 20 MHz 5.0 volts or 10 MHz 3.3 volts. Upon reset, the Z182 system clock is "divided by one" before clocking the ESCC. When Z182 is operated above 20 MHz 5.0 volts or 10 MHz 3.3 volts, the ESCC should be programmed to "divide-by-two" mode.



**Figure 89. Test Load Diagram**

**DC CHARACTERISTICS**

Z80182/Z8L182

(V<sub>CC</sub> = 5V ± 10%, V<sub>SS</sub> = 0V, over specified temperature range unless otherwise notes.)

Symbol	Parameter	Min	Typ	Max	Unit	Condition
V <sub>IH1</sub>	Input H Voltage /RESET, EXTAL, NMI	V <sub>CC</sub> - 0.6		V <sub>CC</sub> + 0.3	V	
V <sub>IH2</sub>	Input H Voltage Except /RESET, EXTAL, NMI	2.0		V <sub>CC</sub> + 0.3	V	
V <sub>IL1</sub>	Input L Voltage /RESET, EXTAL, NMI	-0.3		0.6	V	
V <sub>IL2</sub>	Input L Voltage Except /RESET, EXTAL, NMI	-0.3		0.8	V	
V <sub>OH1</sub>	Output H Voltage All outputs	2.4			V	I <sub>OH</sub> = -200 μA
V <sub>OH2</sub>	Output H PHI	V <sub>CC</sub> - 1.2 V <sub>CC</sub> - 0.6			V	I <sub>OH</sub> = -200 μA I <sub>OH</sub> = -200 μA
V <sub>OL1</sub>	Output L Voltage All outputs			0.40	V	I <sub>OL</sub> = 2.2 mA
V <sub>OL2</sub>	Output L PHI			0.40	V	I <sub>OL</sub> = 2.2 mA
I <sub>IL</sub>	Input Leakage Current All Inputs Except XTAL, EXTAL			1.0	μA	V <sub>IN</sub> = 0.5 - V <sub>CC</sub> - 0.5
I <sub>TL</sub>	Tri-state Leakage Current			1.0	μA	V <sub>IN</sub> = 0.5 - V <sub>CC</sub> - 0.5
I <sub>CC</sub> *	Power Dissipation* (Normal Operation)		60	120	mA	f = 20 MHz
	Power Dissipation* (SLEEP)		100	200	mA	f = 33 MHz
	Power Dissipation* (I/O STOP)		TBD	TBD	mA	f = 20 MHz
	Power Dissipation* (SYSTEM STOP mode)		TBD	TBD	mA	f = 33 MHz
			5	10	mA	f = 20 MHz
			9	17	mA	f = 33 MHz
	IDLE Mode		TBD	TBD	mA	f = 20 MHz
			TBD	TBD	mA	f = 33 MHz
	STANDBY Mode		50		μA	f = 0 MHz †
Cp	Pin Capacitance			12	pF	V <sub>IN</sub> = 0V, f = 1 MHz T <sub>A</sub> = 25°C

**Notes:**These I<sub>CC</sub> values are preliminary and subject to change without notice.\* V<sub>IH</sub> Min = V<sub>CC</sub> - 1.0V, V<sub>IL</sub> Max = 0.8V (all output terminals are at no load)V<sub>CC</sub> = 5.0V; (I<sub>OH</sub> Low EMI) = -50 μA, I<sub>OL</sub> (Low EMI) = 500 μA

† Device may take up to two seconds before stabilizing to steady state standby current.

**DC CHARACTERISTICS**

Z80182/Z8L182

(V<sub>CC</sub> = 3.3V ± 10%, V<sub>SS</sub> = 0V, over specified temperature range unless otherwise notes.)

Symbol	Parameter	Min	Typ	Max	Unit	Condition
V <sub>IH1</sub>	Input H Voltage /RESET, EXTAL, NMI	V <sub>CC</sub> - 0.6		V <sub>CC</sub> + 0.3	V	
V <sub>IH2</sub>	Input H Voltage Except /RESET, EXTAL, NMI	2.0		V <sub>CC</sub> + 0.3	V	
V <sub>IL1</sub>	Input L Voltage /RESET, EXTAL, NMI	-0.3		0.6	V	
V <sub>IL2</sub>	Input L Voltage Except /RESET, EXTAL, NMI	-0.3		0.8	V	
V <sub>OH1</sub>	Output H Voltage All outputs	2.15			V	I <sub>OH</sub> = -200 μA
V <sub>OH2</sub>	Output H PHI	V <sub>CC</sub> - 0.6			V	I <sub>OH</sub> = -200 μA
V <sub>OL1</sub>	Output L Voltage All outputs			0.40	V	I <sub>OL</sub> = 2.2 mA
V <sub>OL2</sub>	Output L PHI			0.40	V	I <sub>OL</sub> = 2.2 mA
I <sub>IL</sub>	Input Leakage Current All Inputs Except XTAL, EXTAL			10	μA	V <sub>IN</sub> = 0.5 - V <sub>CC</sub> - 0.5
I <sub>TL</sub>	Tri-state Leakage Current			10	μA	V <sub>IN</sub> = 0.5 - V <sub>CC</sub> - 0.5
I <sub>CC</sub> *	Power Dissipation* (Normal Operation)		40	80	mA	f = 20 MHz
	Power Dissipation* (SLEEP)		TBD	TBD	mA	f = 20 MHz
	Power Dissipation* (I/O STOP)		TBD	TBD	mA	f = 20 MHz
	Power Dissipation* (SYSTEM STOP mode)		4	8	mA	f = 20 MHz
	IDLE Mode		TBD	TBD	mA	f = 20 MHz
	STANDBY Mode		50		μA	f = 0 MHz †
Cp	Pin Capacitance			12	pF	V <sub>IN</sub> = 0V, f = 1 MHz T <sub>A</sub> = 25°C

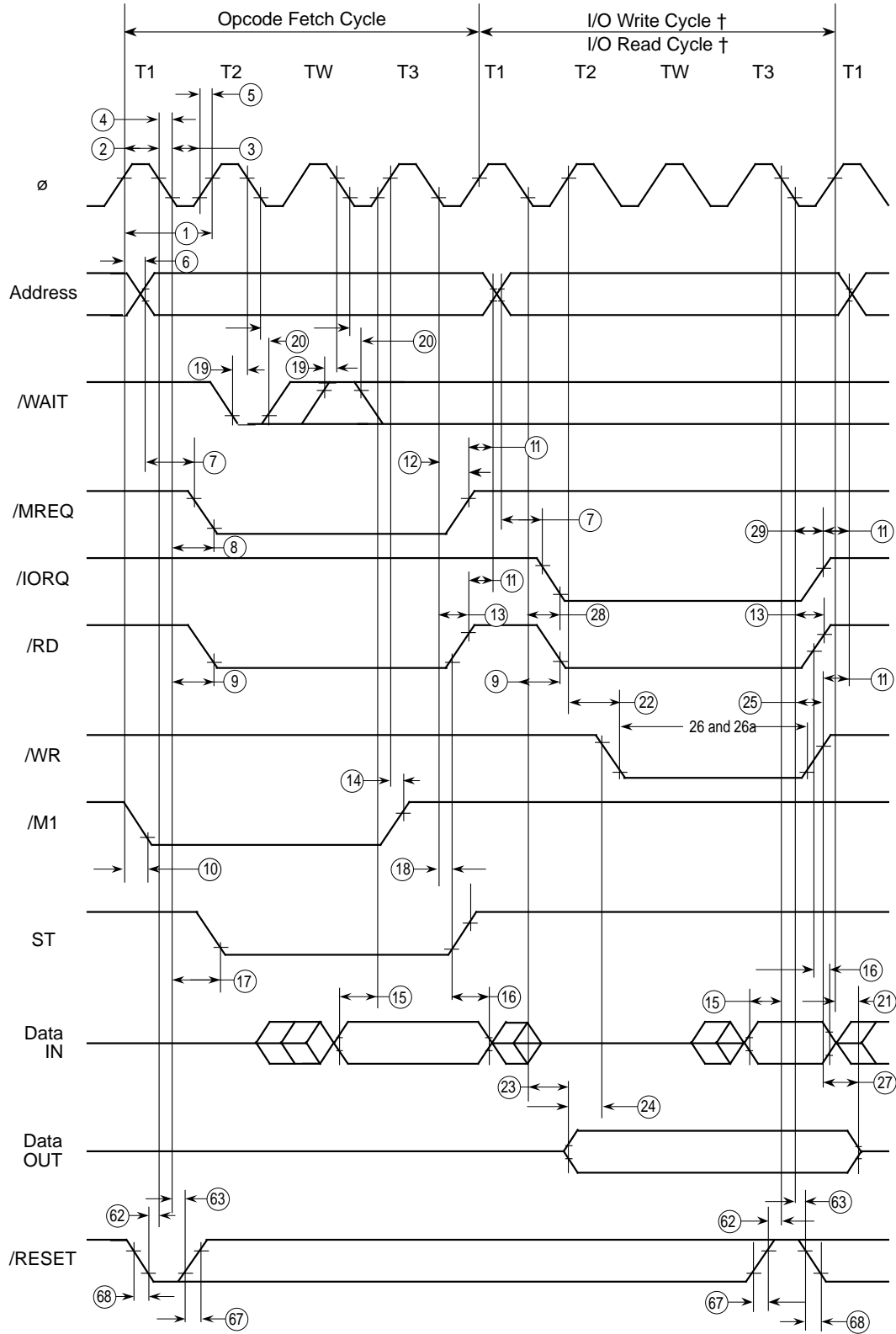
**Notes:**These I<sub>CC</sub> values are preliminary and subject to change without notice.\* V<sub>IH</sub> Min = V<sub>CC</sub> - 1.0V, V<sub>IL</sub> Max = 0.8V (all output terminals are at no load)V<sub>CC</sub> = 3.3V

† Device may take up to two seconds before stabilizing to steady state current.



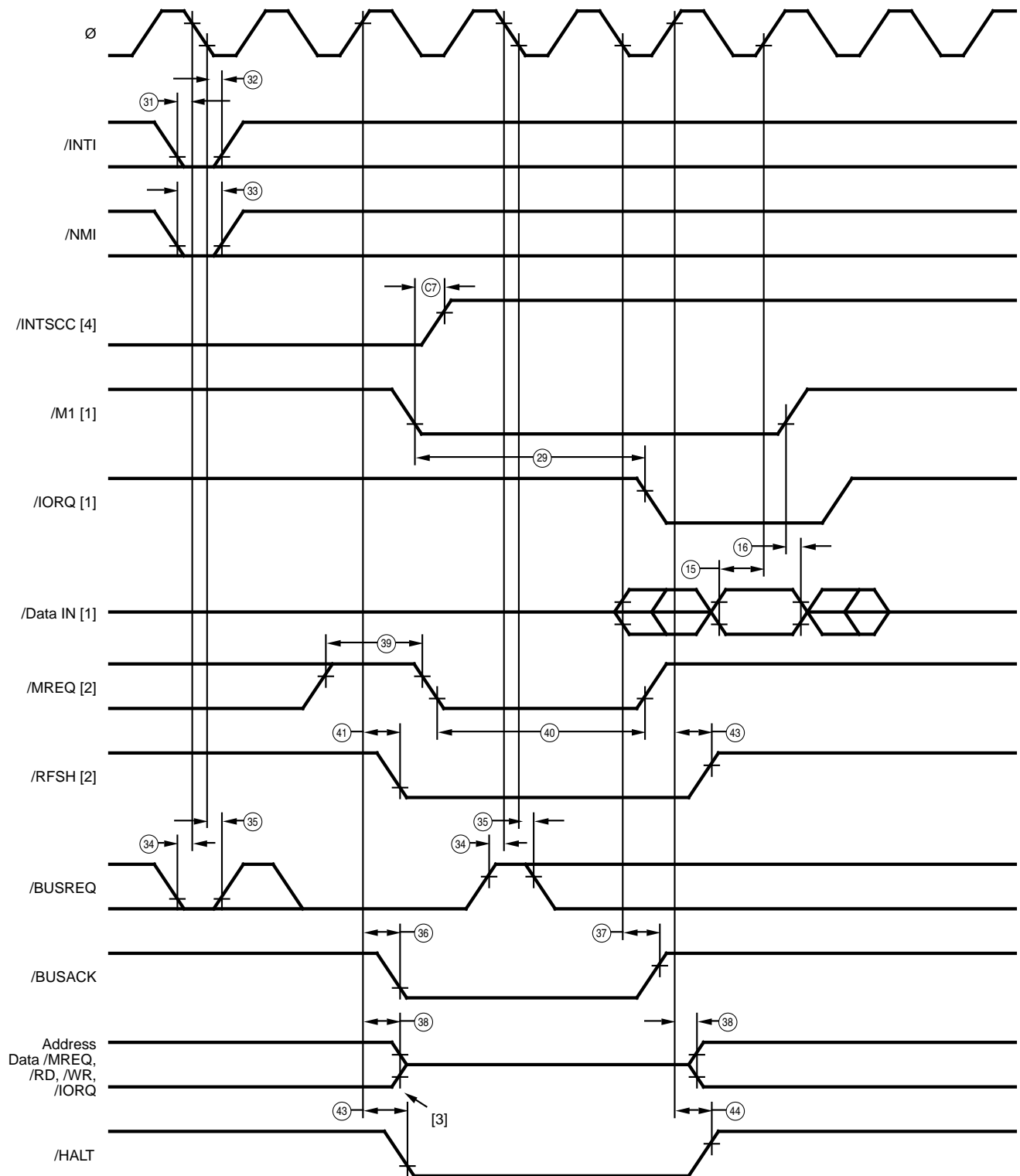
### TIMING DIAGRAMS

#### Z180 MPU Timing



**Figure 90. CPU Timing**  
(Opcode Fetch Cycle, Memory Read/Write Cycle  
I/O Read/Write Cycle)

**TIMING DIAGRAMS** (Continued)



Notes:  
 [1] During /INT0 acknowledge cycle    [3] Output buffer is off at this point  
 [2] During refresh cycle                [4] Refer to Table C, parameter 7

**Figure 91. CPU Timing**  
 (/INT0 Acknowledge Cycle, Refresh Cycle, BUS RELEASE Mode  
 HALT Mode, SLEEP Mode, SYSTEM STOP Mode)

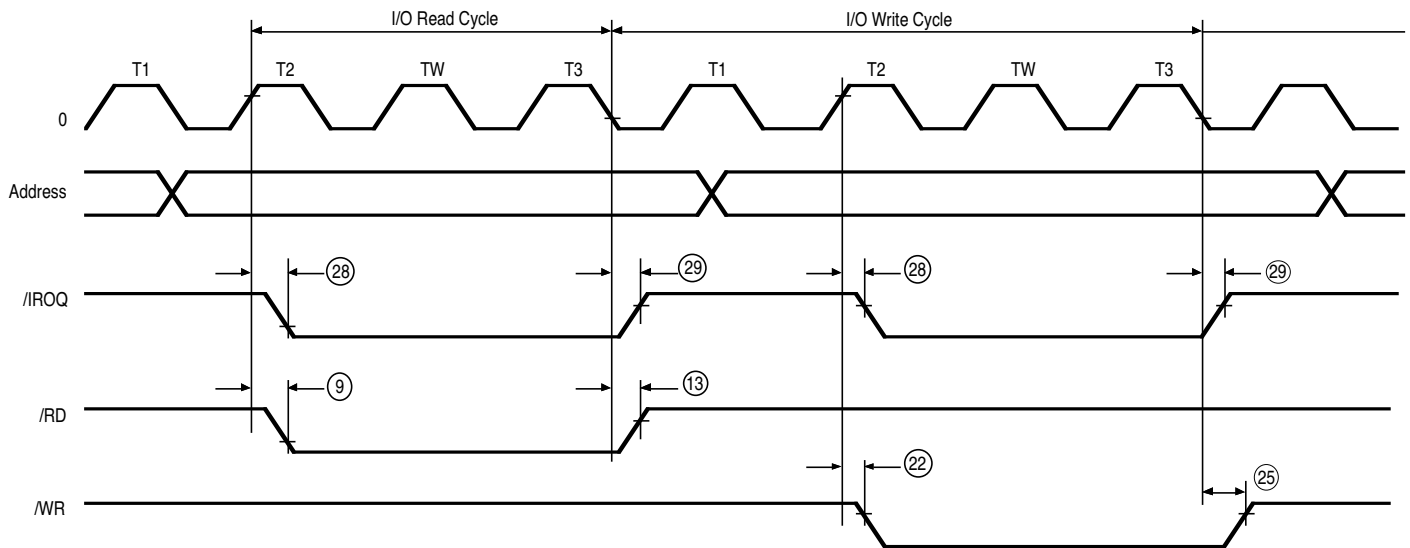
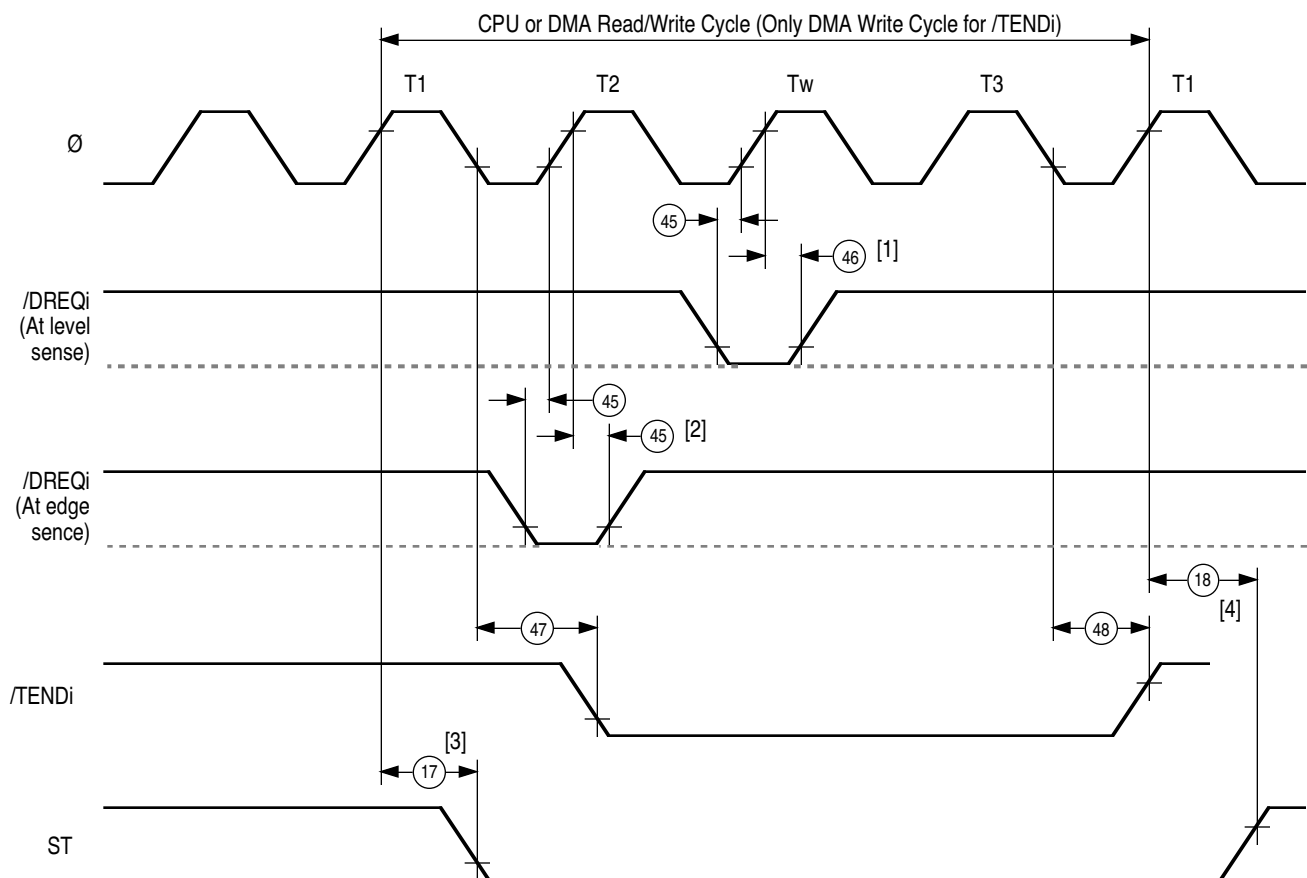


Figure 92. CPU Timing

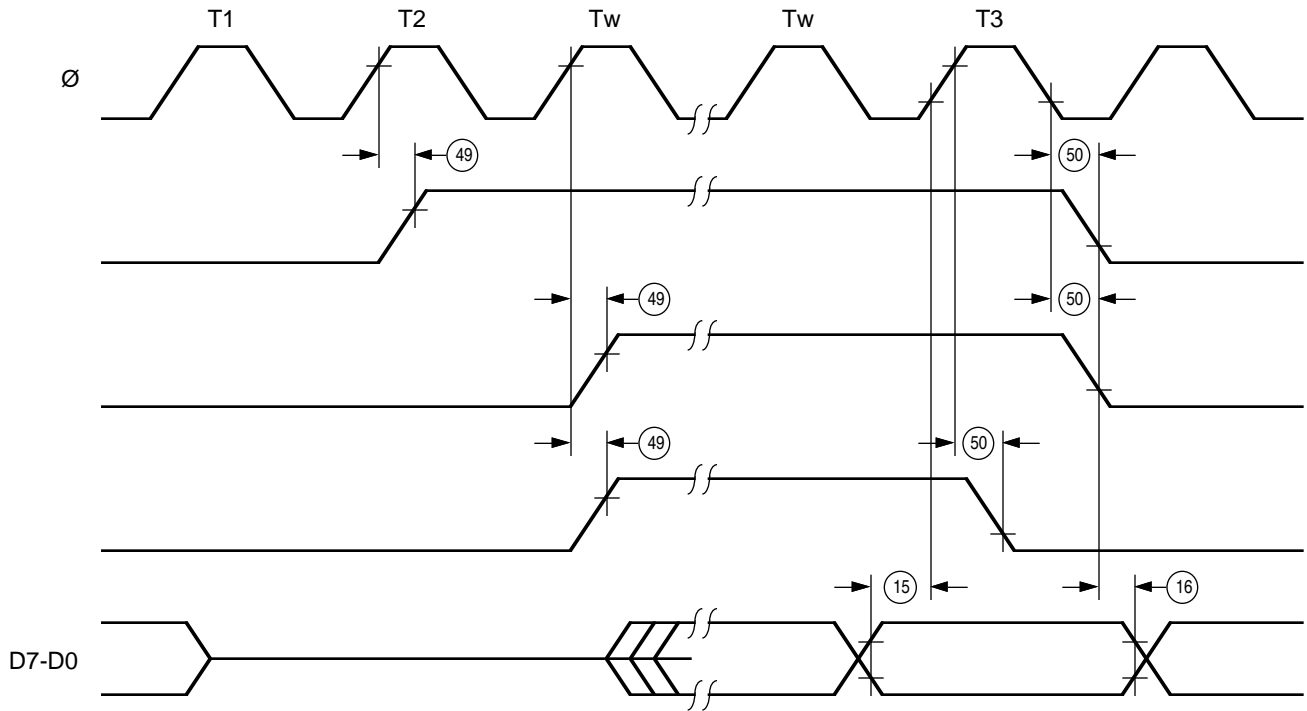


DMA Control Signals

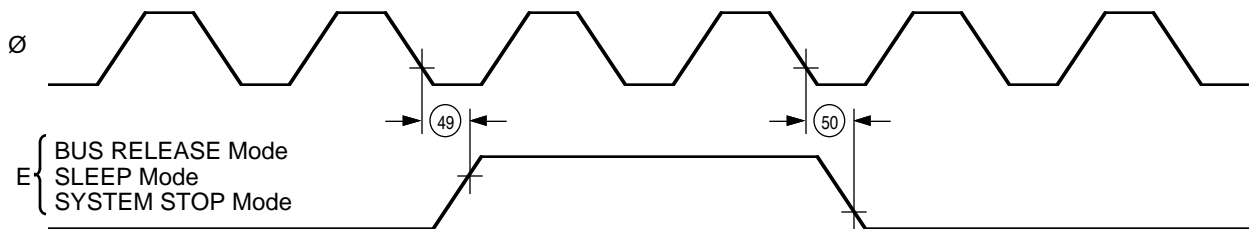
- [1] tDRQS and tDRQH are specified for the rising edge of clock followed by T3.
- [2] tDRQS and tDRQH are specified for the rising edge of clock.
- [3] DMA cycle starts.
- [4] CPU cycle starts.

Figure 93. DMA Control Signals

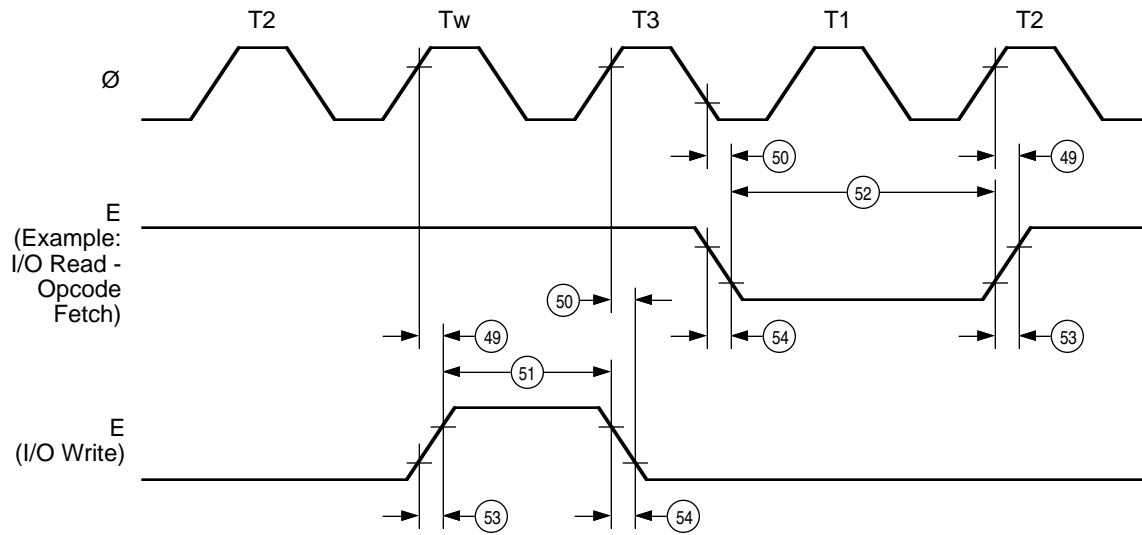
**TIMING DIAGRAMS** (Continued)



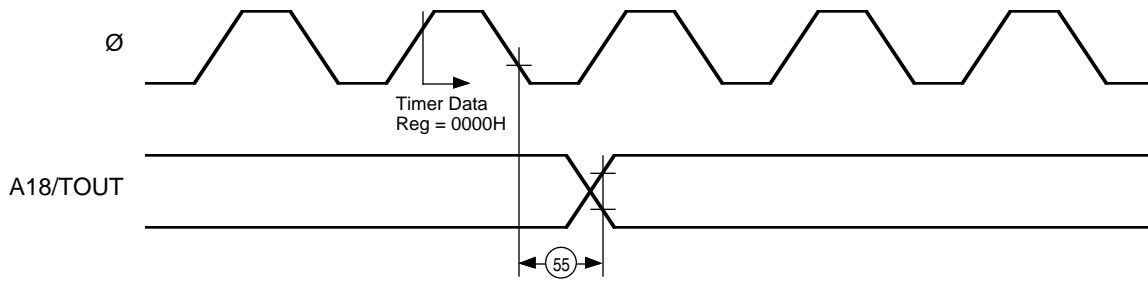
**Figure 94. E Clock Timing**  
(Memory Read/Write Cycle  
I/O Read/Write Cycle)



**Figure 95. E Clock Timing**

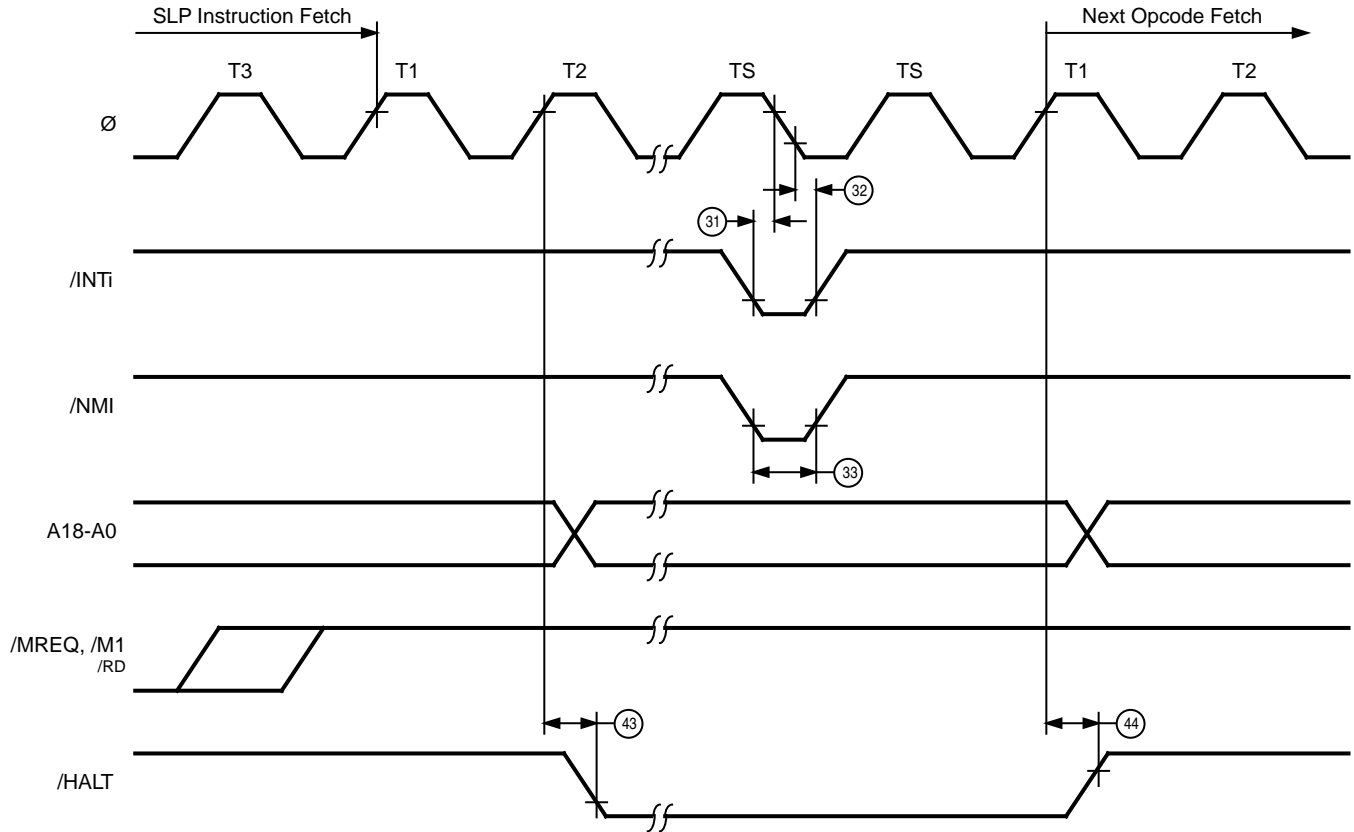


**Figure 96. E Clock Timing**  
(Minimum timing example of PWEL and PWEH)



**Figure 97. Timer Output Timing**

**TIMING DIAGRAMS** (Continued)



**Figure 98. SLEEP Execution Cycle**

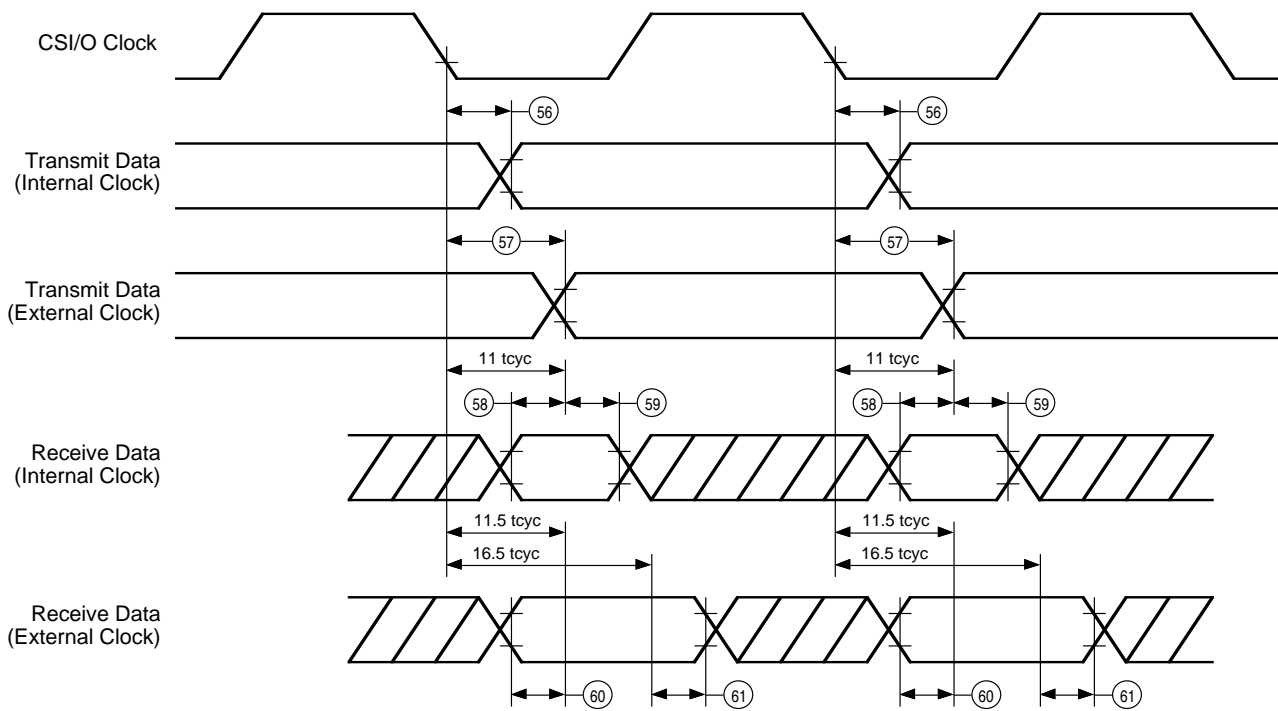


Figure 99. CSI/O Receive/Transmit Timing

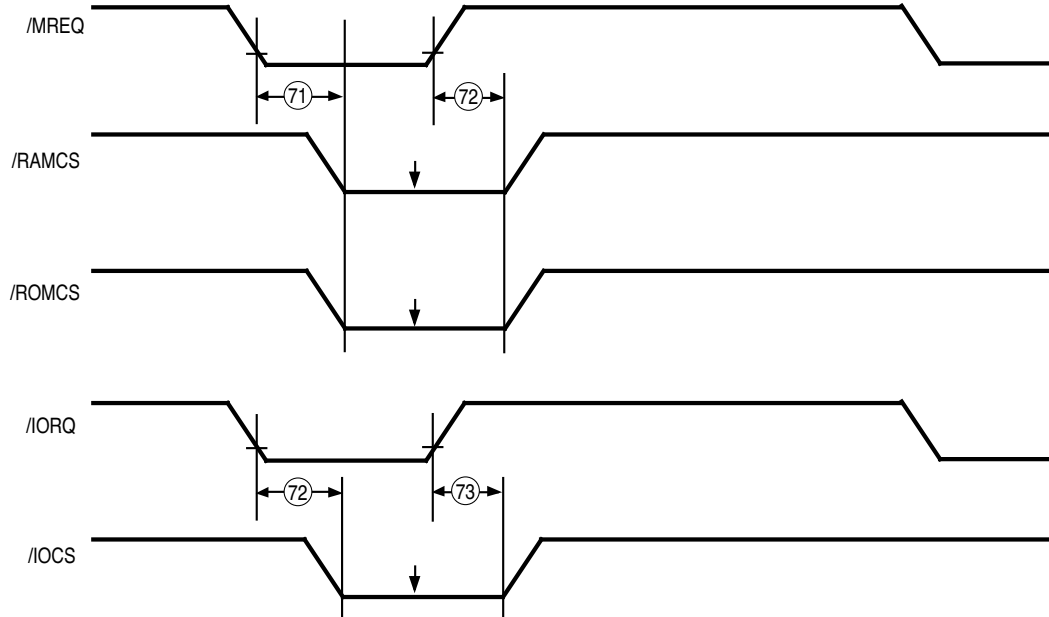
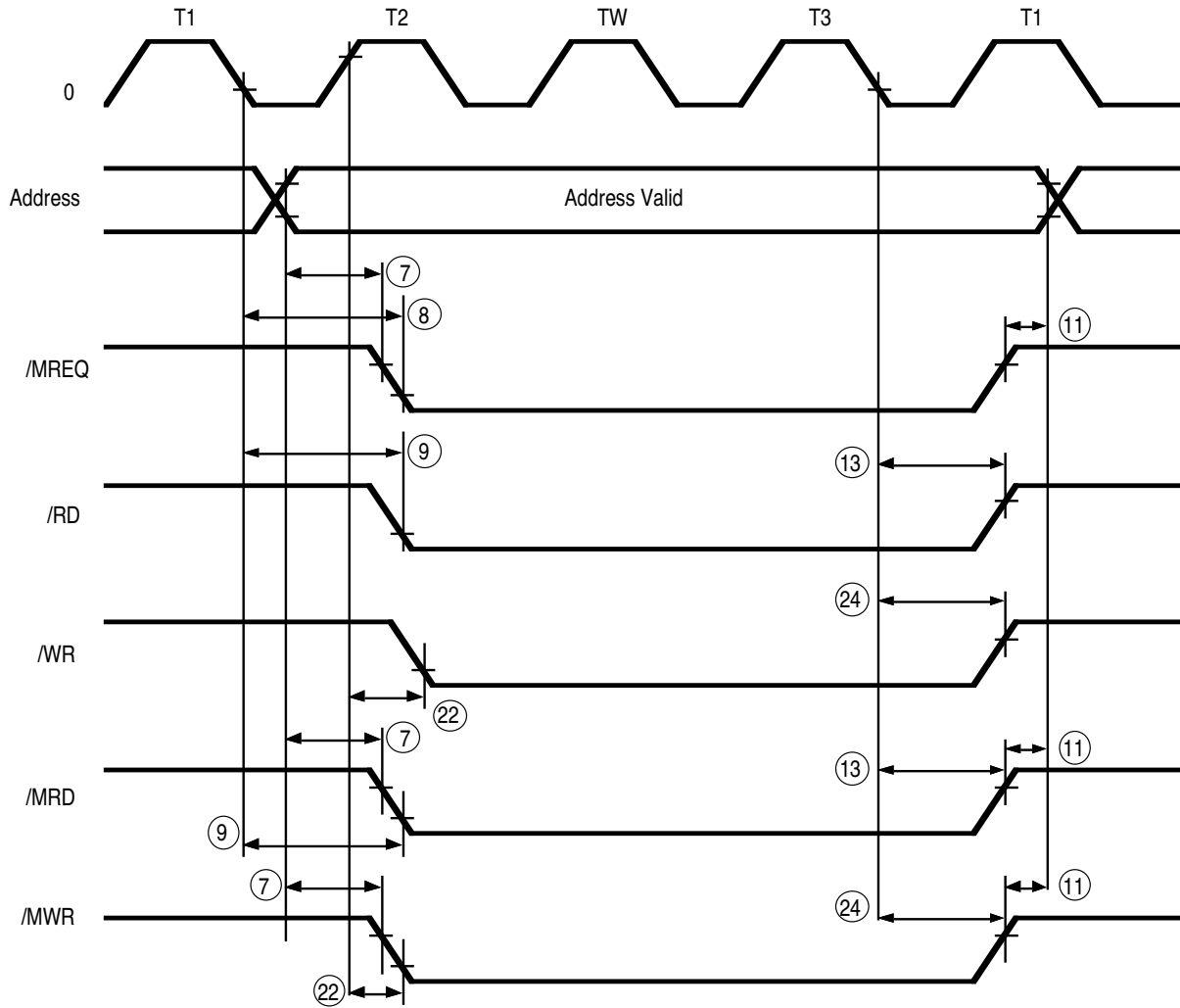
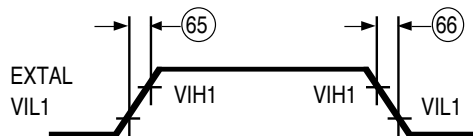


Figure 100 /ROMCS and /RAMCS Timing

**TIMING DIAGRAMS** (Continued)



**Figure 101. /MWR and /MRD Timing**



**Figure 102. External Clock Rise Time and Fall Time**



**Figure 103. Input Rise and Fall Time**  
(Except EXTAL, /RESET)



**Z8S180 AC CHARACTERISTICS****Table A. Z8L180 and Z8S180 Timings**

No.	Sym	Parameter	Z8L180 20 MHz		Z8S180 33 MHz		Unit	Note
			Min	Max	Min	Max		
1	t <sub>cy</sub>	Clock Cycle Time	50	2000	30	2000	ns	[1]
2	t <sub>CHW</sub>	Clock Pulse Width (High)	15		10		ns	[1]
3	t <sub>CLW</sub>	Clock Pulse Width (Low)	15		10		ns	[1]
4	t <sub>cf</sub>	Clock Fall Time		10		5	ns	[1]
5	t <sub>cr</sub>	Clock Rise Time		10		5	ns	[1]
6	t <sub>AD</sub>	Address Valid from Clock Rise		15		15	ns	
7	t <sub>AS</sub>	Address Valid to /MREQ, /IORQ, /MRD Fall	5		5		ns	
8	t <sub>MED1</sub>	Clock Fall to /MREQ Fall Delay		15		10	ns	
9	t <sub>RDD1</sub>	Clock Fall to /RD, /MRD (/IOC=1)		25		15	ns	
10	t <sub>M1D1</sub>	Clock Rise to /RD, /MRD Fall (/IOC=0)		35		15	ns	
		Clock Rise to /M1 Fall delay		35		15	ns	
11	t <sub>AH</sub>	Address Hold time (/MREQ, /IORQ, /RD, /WR/MRD)	5		5		ns	
12	t <sub>MED2</sub>	Clock Fall to /MREQ Rise Delay		25		15	ns	
13	t <sub>RDD2</sub>	Clock Fall to /RD, /MRD Rise Delay		25		15	ns	
14	t <sub>M1D2</sub>	Clock Rise to /M1 Rise Delay		40		15	ns	
15	t <sub>DRS</sub>	Data Read Setup Time	15		15		ns	
16	t <sub>DRH</sub>	Data Read Hold Time	0		0		ns	
17	t <sub>STD1</sub>	Clock Edge to ST Fall		30		15	ns	
18	t <sub>STD2</sub>	Clock Edge to ST Rise		30		15	ns	
19	t <sub>WS</sub>	/WAIT Setup Time to Clock Fall	15		10		ns	[2]
20	t <sub>WH</sub>	/WAIT Hold Time from Clock Fall	10		5		ns	
21	t <sub>WDZ</sub>	Clock Rise to Data Float Delay		35		20	ns	
22	t <sub>WRD1</sub>	Clock Rise to /WR, /MWR Fall Delay		25		15	ns	
23	t <sub>WDD</sub>	Clock Fall to Write Data Delay		25		15	ns	
24	t <sub>WDS</sub>	Write Data Setup Time to /WR, /MWR Fall	10		10		ns	
25	t <sub>WRD2</sub>	Clock Fall to /WR Rise		25		15	ns	
26	t <sub>WRP</sub>	/WR Pulse Width (Memory Write Cycles)	75		45		ns	
26a		/WR Pulse Width (I/O Write Cycles)	130		70		ns	
27	t <sub>WDH</sub>	Write Data Hold Time from /WR Rise	10		5		ns	
28	t <sub>IOD1</sub>	Clock Fall to /IORQ Fall Delay (/IOC=1)		25		15	ns	
		Clock Rise to /IORQ Fall Delay (/IOC=0)		25		15	ns	
29	t <sub>IOD2</sub>	Clock Fall /IOQR Rise Delay		25		15	ns	
30	t <sub>IOD3</sub>	/M1 Fall to /IORQ Fall Delay	100		80		ns	
31	t <sub>INTS</sub>	/INT Setup Time to Clock Fall	20		15		ns	
32	t <sub>INTH</sub>	/INT Hold Time from Clock Fall	10		10		ns	
33	t <sub>NMIW</sub>	/NMI Pulse Width	35		25		ns	
34	t <sub>BRS</sub>	/BUSREQ Setup Time to Clock Fall	10		10		ns	
35	t <sub>BRH</sub>	/BUSREQ Hold Time from Clock Fall	10		10		ns	
36	t <sub>BAD1</sub>	Clock Rise to /BUSACK Fall Delay		25		15	ns	
37	t <sub>BAD2</sub>	Clock Fall to /BUSACK Rise Delay		25		15	ns	
38	t <sub>BZD</sub>	Clock Rise to Bus Floating Delay Time		40		30	ns	
39	t <sub>MEWH</sub>	/MREQ Pulse Width (High)	35		25		ns	
40	t <sub>MEWL</sub>	/MREQ Pulse Width (Low)	35		25		ns	

**Z8S180 AC CHARACTERISTICS** (Continued)

No.	Sym	Parameter	Z8L180 20 MHz		Z8S180 33 MHz		Unit	Note
			Min	Max	Min	Max		
41	tRFD1	Clock Rise to /RFSH Fall Delay		20		15	ns	
42	tRFD2	Clock Rise to /RFSH Rise Delay		20		15	ns	
43	tHAD1	Clock Rise to /HALT Fall Delay		15		15	ns	
44	tHAD2	Clock Rise to /HALT Rise Delay		15		15	ns	
45	tDRQS	/DREQi Setup Time to Clock Rise	20		15		ns	
46	tDRQH	/DREQi Hold Time from Clock Rise	20		15		ns	
47	tTED1	Clock Fall to /TENDi Fall Delay		25		15	ns	
48	tTED2	Clock Fall to /TENDi Rise Delay		25		15	ns	
49	tED1	Clock Rise to E Rise Delay		30		15	ns	
50	tED2	Clock Edge to E Fall Delay		30		15	ns	
51	PWEH	E Pulse Width (High)	25		20		ns	
52	PWEL	E Pulse Width (Low)	50		40		ns	
53	tEr	Enable Rise Time		10		10	ns	
54	tEf	Enable Fall Time		10		10	ns	
55	tTOD	Clock Fall to Timer Output Delay		75		50	ns	
56	tSTDI	CSI/O Tx Data Delay Time (Internal Clock Operation)		75		60	ns	
57	tSTDE	CSI/O Tx Data Delay Time (External Clock Operation)		7.5 tcyc+100		7.5 tcyc+100	ns	
58	tRSI	CSI/O Rx Data Setup Time (Internal Clock Operation)		1	1		tcyc	
59	tSRHI	CSI/O Rx Data Hold Time (Internal Clock Operation)		1	1		tcyc	
60	tSRSE	CSI/O Rx Data Setup Time (External Clock Operation)		1	1		tcyc	
61	tSRHE	CSI/O Rx Data Hold Time (External Clock Operation)		1	1		tcyc	
62	tRES	/RESET Setup time to Clock Fall	40		25		ns	
63	tREH	/RESET Hold time from Clock Fall	25		15		ns	
64	tOSC	Oscillator Stabilization Time		20		20	ms	
65	tEXr	External Clock Rise Time (EXTAL)		10		5	ns	
66	tEXf	External Clock Fall Time (EXTAL)		10		5	ns	
67	tRr	/RESET Rise Time		50		50	ms	[2]
68	tRf	/RESET Fall Time		50		50	ms	[2]
69	tIr	Input Rise Time (Except EXTAL, /RESET)		50		50	ns	[2]
70	tIf	Input Fall Time (Except EXTAL, /RESET)		50		50	ns	[2]
71	TdCS	/MREQ Valid to /ROMCS, /RAMCS Valid Delay		15		10	ns	
72	TdIOCS	/IORQ Valid to /IOCS Valid Delay		15		10	ns	

**Notes:**

These AC parameters values are preliminary and subject to change without notice.

[1] All specifications reflect 100% output drive (disabled slew rate limiting feature).

[2] Specification 1 through 5 refer to PHI clock output.

[3] Exceeds characterization (data propagation delay needs to be analyzed).

## ESCC Timing

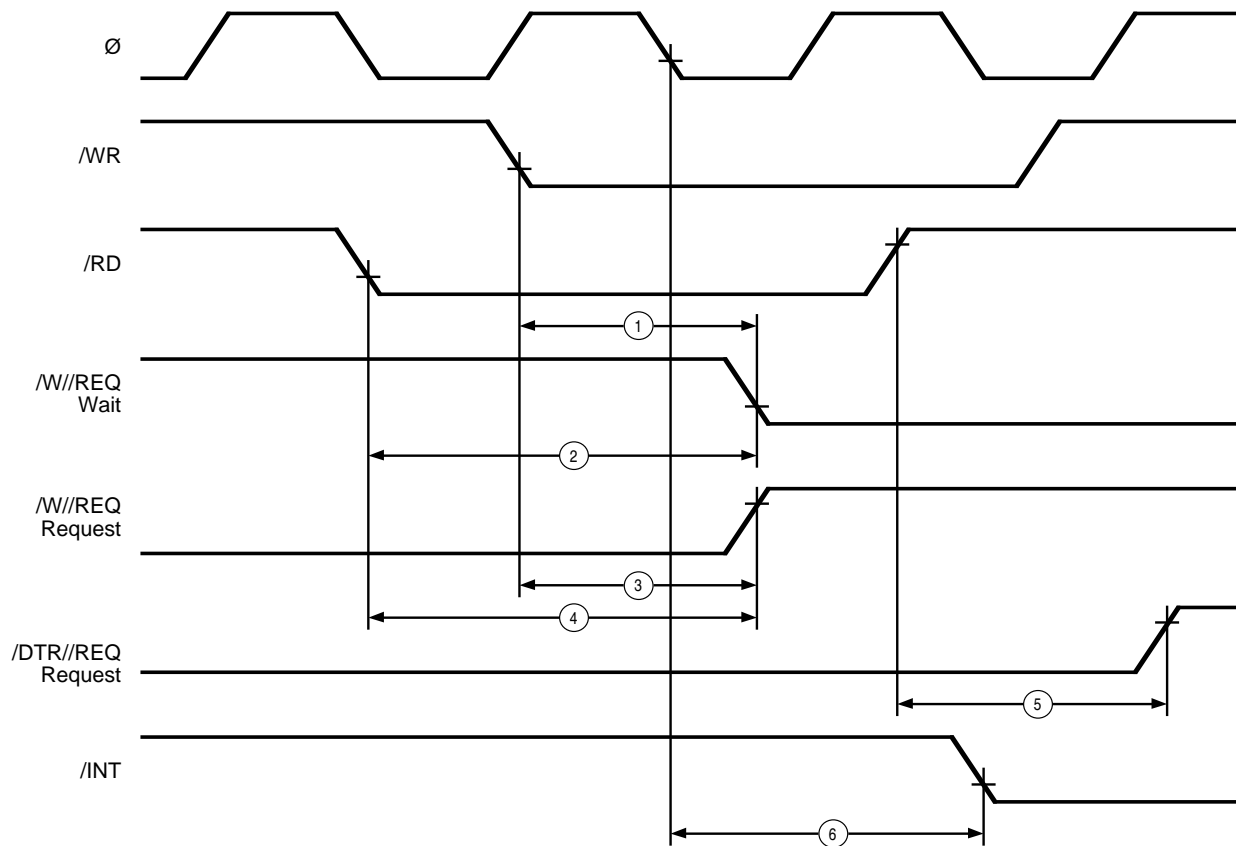


Figure 104. ESCC AC Parameter

Table B. ESCC Timing Parameters

No.	Symbol	Parameter	20 MHz		Unit
			Min	Max	
1	TdWR(W)	$\overline{WR}$ Fall to Wait Valid Delay		50	ns
2	TdRD(W)	$\overline{RD}$ Fall to Wait Valid Delay		50	
3	TdWRf(REQ)	$\overline{WR}$ Fall to $\overline{W//REQ}$ Not Valid Delay		65	
4	TdRDf(REQ)	$\overline{RD}$ Fall to $\overline{W//REQ}$ Not Valid Delay		65	
5	TdRdr(REQ)	$\overline{RD}$ Rise to $\overline{DTR//REQ}$ Not Valid Delay		TBD	
6	TdPC(INT)	Clock to $\overline{INT}$ Valid Delay		160	

**AC CHARACTERISTICS** (Continued)  
Z85230 General Timing Diagram

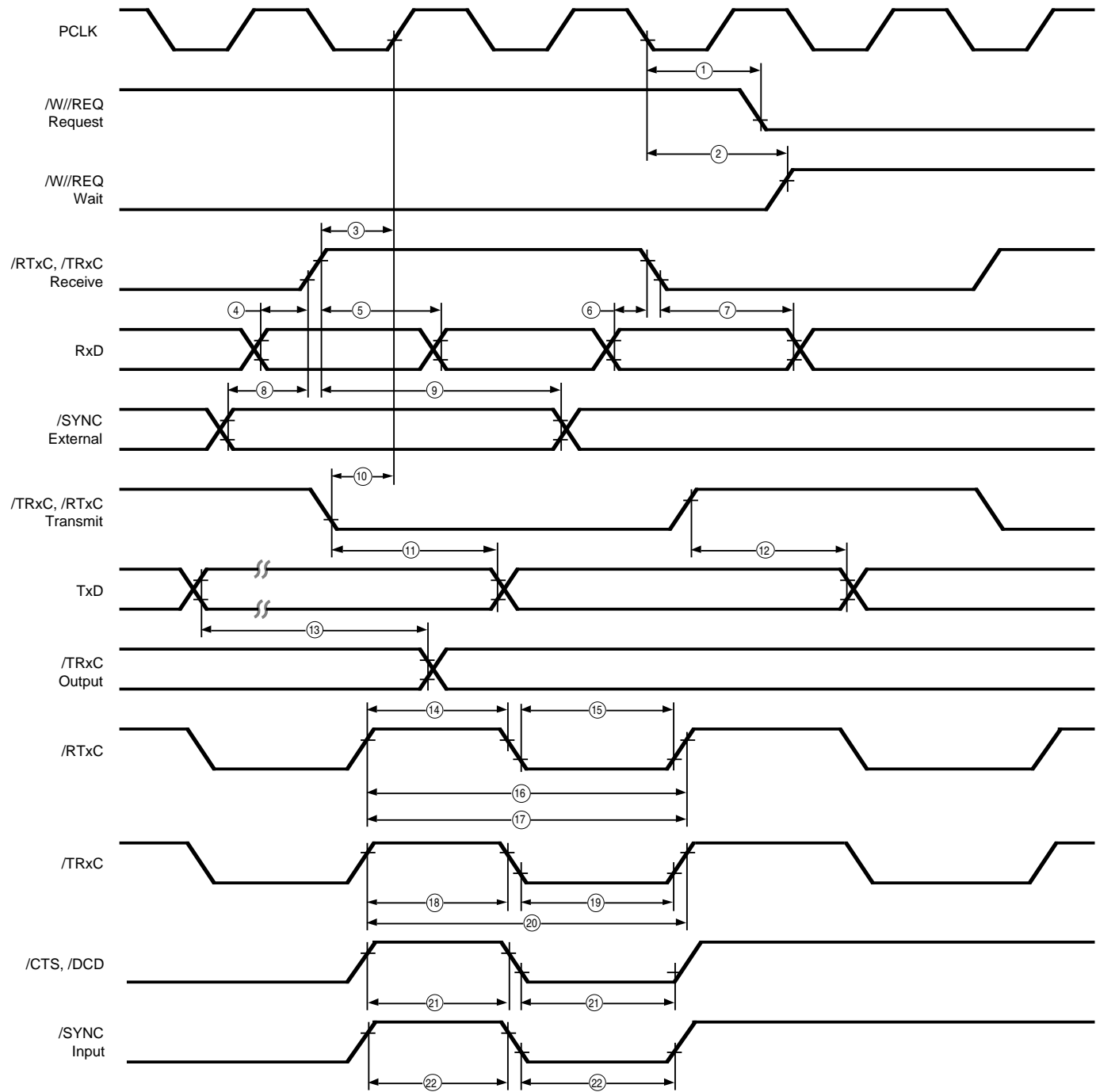


Figure 105. General Timing Diagram

Table C. Z85230 General Timing Table

No.	Symbol	Parameter	20 MHz		Notes
			Min	Max	
1	TdPC(REQ)	/PCLK to W/REQ Valid		70	
2	TdPC(W)	/PCLK to Wait Inactive		170	
3	TsRxC(PC)	/RxC to /PCLK Setup Time	N/A		[1,4]
4	TsRxD(RxCr)	RxD to /RxC Setup Time		0	[1]
5	ThRxD(RxCr)	RxD to /RxC Hold Time	45		[1]
6	TsRxD(RxCf)	RxD to /RxC Setup Time	0		[1,5]
7	ThRxD(RxCf)	RxD to /RxC Hold Time	45		[1,5]
8	TsSY(RxC)	/SYNC to /RxC Setup Time	-90		[1]
9	ThSY(RXC)	/SYNC to/RxC Hold Time	5TcPc		[1]
10	TsTxC(PC)	/TxC to /PCLK Setup Time	N/A		[2,4]
11	TdTxCf(TXD)	/TxC to TxD Delay		70	[2]
12	TdTxCr(TXD)	/TxC to TxD Delay		70	[2,5]
13	TdTxD(TRX)	TxD to TRxC Delay		70	
14	TwRTxh	RTxC High Width	70		[6]
15	TwRTxl	TRxC Low Width	70		[6]
16a	TcRTx	RTxC Cycle Time	200		[6,7]
16b	TxRx(DPLL)	DPLL Cycle Time Min	50		[7,8]
17	TcRTxx	Crystal Osc. Period	61	1000	[3]
18	TwTRxh	TRxC High Width	70		[6]
19	TwTRxl	TRxC Low Width	70		[6]
20	TcTRx	TRxC Cycle Time	200		[6,7]
21	TwExT	DCD or CTS Pulse Width	60		
22	TwSY	SYNC Pulse Width	60		

**Notes:**

These AC parameter values are preliminary and subject to change without notice.

- [1] RxC is /RTxC or /TRxC, whichever is supplying the receive clock.
- [2] TxC is /TRxC or /RTxC, whichever is supplying the transmit clock.
- [3] Both /RTxC and /SYNC have 30 pF capacitors to ground connected to them.
- [4] Synchronization of RxC to PCLK is eliminated in divide by four operation.
- [5] Parameter applies only to FM encoding/decoding.
- [6] Parameter applies only for transmitter and receiver; DPLL and baud rate generator timing requirements are identical to case PCLK requirements.
- [7] The maximum receive or transmit data rate is 1/4 PCLK.
- [8] Applies to DPLL clock source only. Maximum data rate of 1/4 PCLK still applies. DPLL clock should have a 50% duty cycle.

**AC CHARACTERISTICS** (Continued)  
Z85230 System Timing Diagram

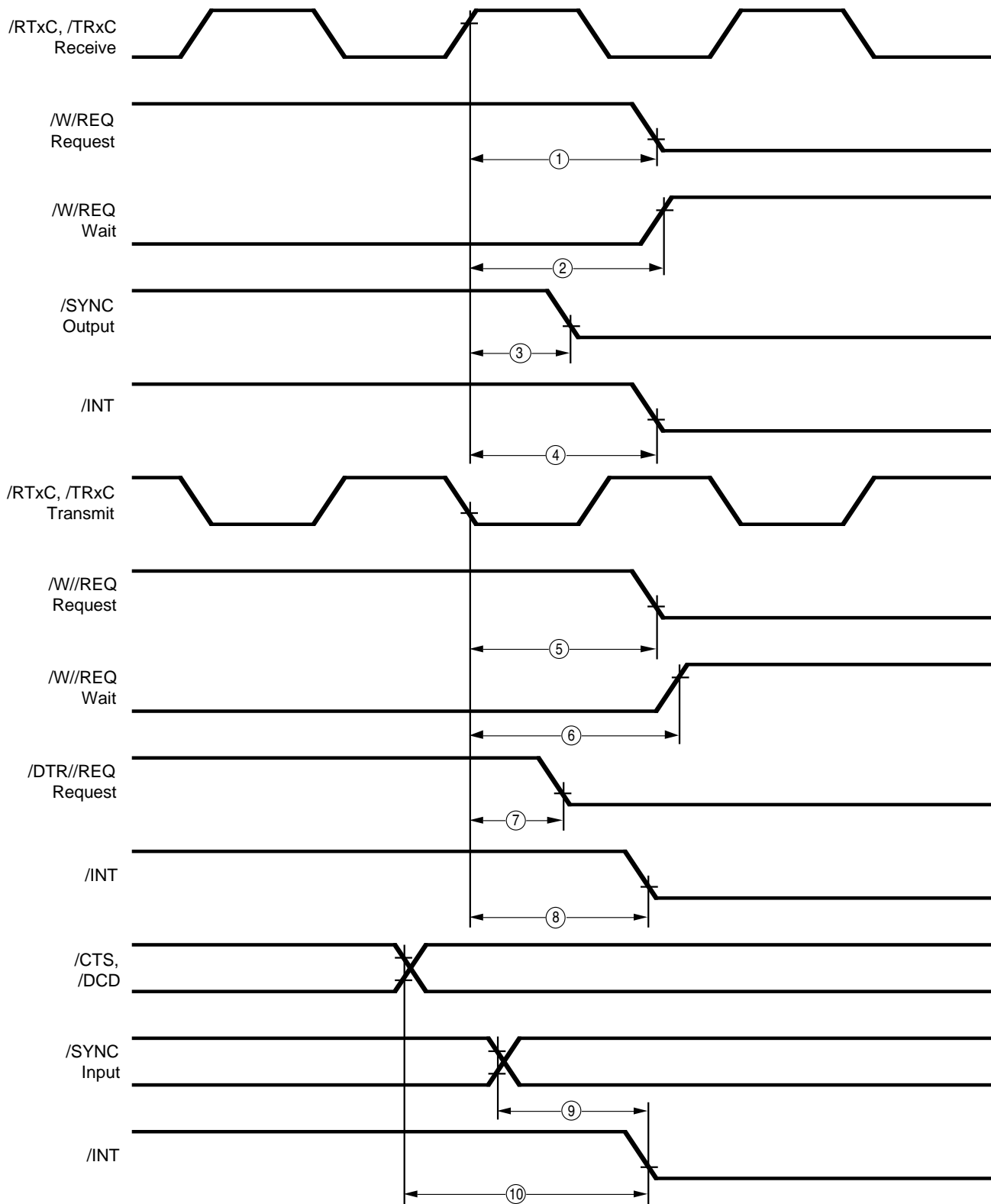


Figure 106. Z85230 System Timing

Table D. Z85230 System Timing Table

No.	Symbol	Parameter	20 MHz		Notes [4]
			Min	Max	
1	TdRxC(REQ)	/RxC to /W//REQ Valid	13	18	[2]
2	TdRxC(W)	/RxC to /Wait Inactive	13	18	[1,2]
3	TdRxC(SY)	/RxC to /SYNC Valid	9	13	[2]
4	TdRxC(INT)	/RxC to /INT Valid	15	22	[1,2]
5	TdTxC(REQ)	/TxC to /W//REQ Valid	8	12	[3]
6	TdTxC(W)	/TxC to /Wait Inactive	8	15	[1,3]
7	TdTxC(DRQ)	/TxC to /DTR//REQ Valid	7	11	[3]
8	TdTxC(INT)	/TxC to /INT Valid	9	14	[1,3]
9	TdSY(INT)	/SYNC to /INT Valid	2	6	[1]
10	TdExT(INT)	/DCD or /CTS to /INT Valid	3	9	[1]

**Notes:**

These AC parameters values are preliminary and subject to change without notice.

[1] Open-drain output, measured with open-drain test load.

[2] /RxC is /RTxC or /TRxC, whichever is supplying the receive clock.

[3] /TxC is /TRxC or /RTxC, whichever is supplying the transmit clock.

[4] Units equal to TcPc

Table E. I/O Port Timing

No.	Symbol	Parameter	Z8L182 20 MHz		Z80182 33 MHz	
			Min	Max	Min	Max
1	TsPIA(RD)	Port Data Input Setup to /RD Fall	20		20	
2	ThPIA(RD)	Port Data Input Hold From /RD Rise	0		0	
3	TdWR <sub>F</sub> (PIA)	Port Data Output Delay From /WR Fall		60		60
4	T <sub>F</sub> WR <sub>F</sub> (PIA)	Port Data Output Float From /WR Fall	0		0	

Table F. External Bus Master Timing

No.	Symbol	Parameter	Z8L182 20 MHz		Z80182 33 MHz	
			Min	Max	Min	Max
1	TsA(IORQf)	Address to /IORQ Fall Setup	10		5	
2	TsIOf(WRf)	/IORQ Fall to /WR Fall Setup	0		0	
3	TsIOf(RDf)	/IORQ Fall to /RD Fall Setup	0		0	
4	ThIOR(WR <sub>R</sub> )	/IORQ Rise From /WR Rise Hold	0		0	
5	ThIOR(RD <sub>R</sub> )	/IORQ Rise From /RD Rise Hold	0		0	
6	TdRDf(DO)	/RD Fall to Data Out Valid Delay		50		45
7	T <sub>H</sub> RD <sub>R</sub> (DO)	/RD Rise to Data Out Valid Hold		0		0
8	T <sub>S</sub> D(WR <sub>R</sub> )	Data In to /WR Fall Setup	50		50	
9	THD(WR <sub>R</sub> )	Data In From /WR Rise Hold	10	8	10	

### General-Purpose I/O Port Timing

This figure shows the timing for the Ports A, B and C. Parameters referred to in this figure appear in Tables D and E.

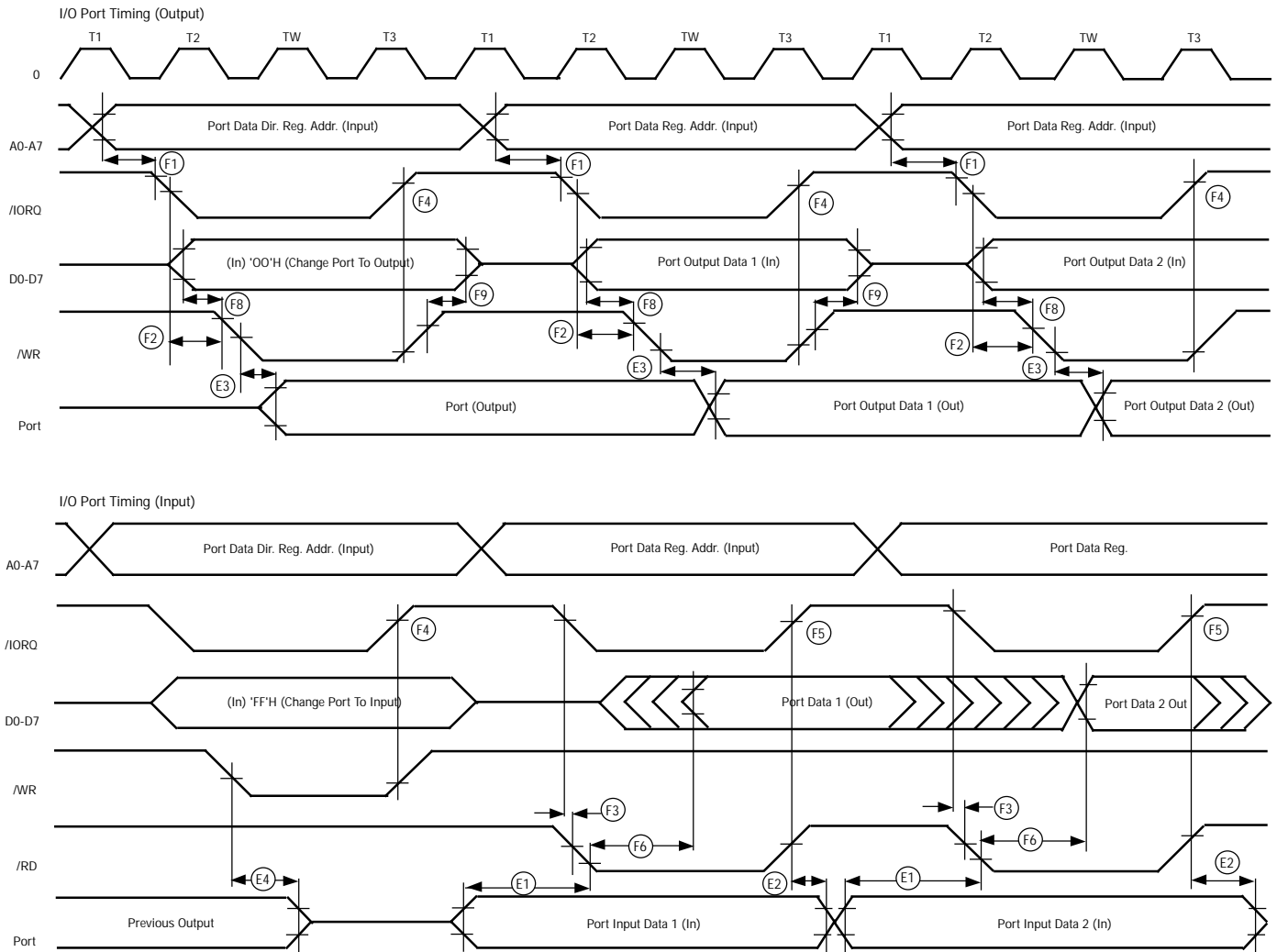


Figure 107. PORT Timing



### Read Write External Bus Master Timing

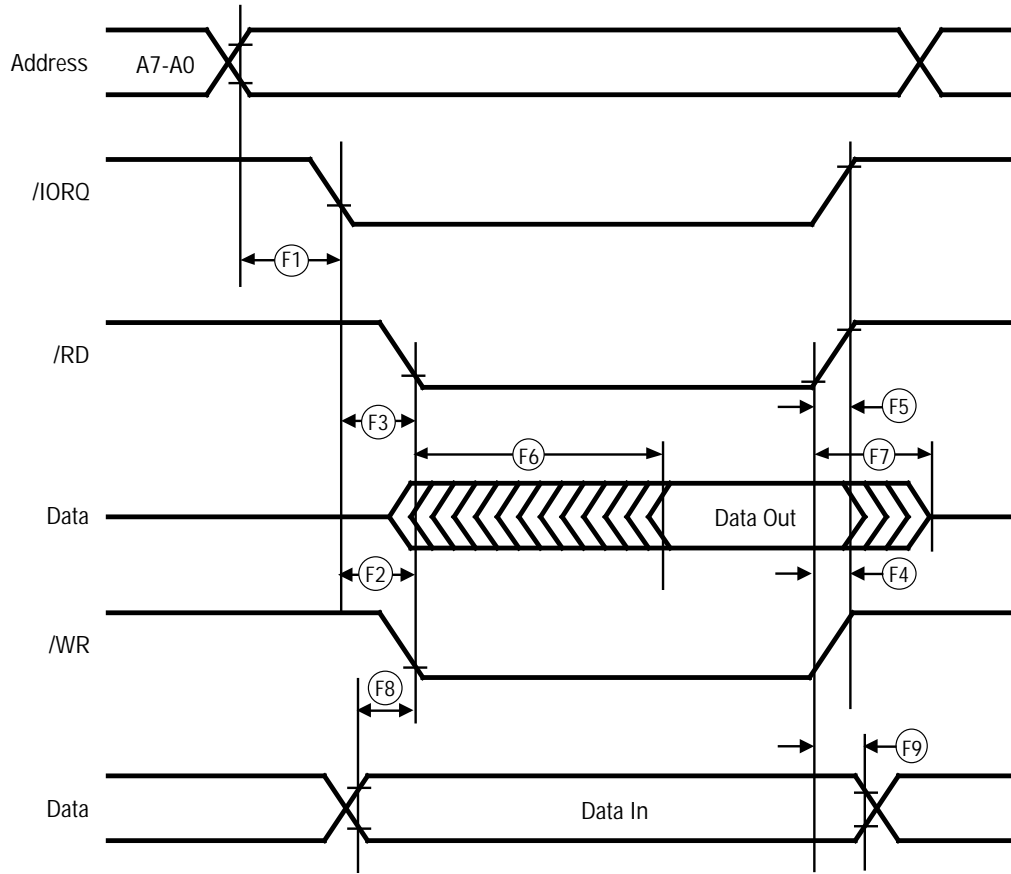


Figure 108. Read/Write External Bus Master Timing

### ESCC External Bus Master Timing

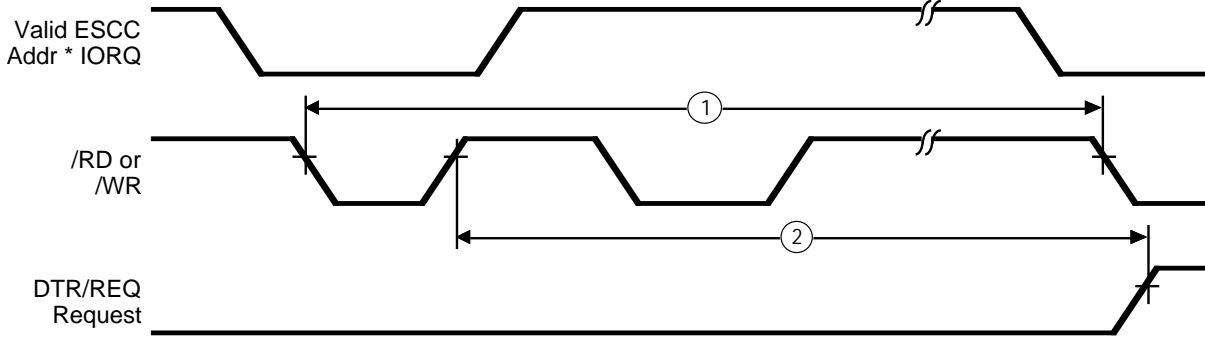


Figure 109. ESCC External Bus Master Timing

Table G. External Bus Master Interface Timing (SCC Related Timing)

No.	Symbol	Parameter	Z8L182 20 MHz		Z80182 33 MHz		Units	Notes
			Min	Max	Min	Max		
1	TrC	Valid Access Recovery Time	4T <sub>CC</sub>		4T <sub>CC</sub>		ns	[1]
2	TdRDr(REQ)	/RD Rise to /DTR//REQ Not Valid Delay	4T <sub>CC</sub>		4T <sub>CC</sub>		ns	

**Notes:**

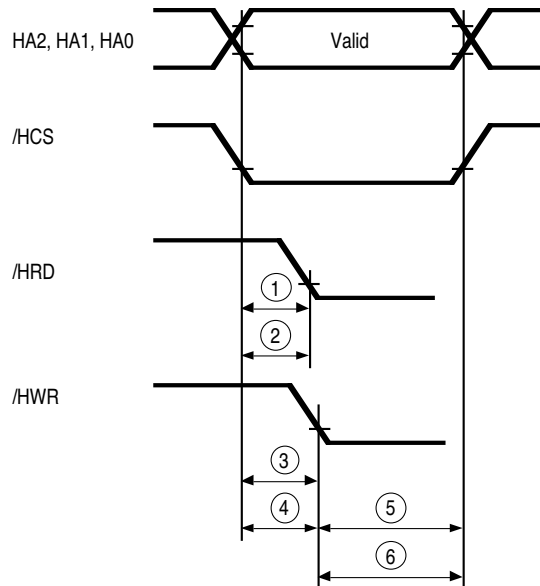
These AC parameter values are preliminary and are subject to change without notice.

[1] Applies only between transactions involving the ESCC.

T<sub>CC</sub> = ESCC clock period time

**16550 MIMIC TIMING**

Refer to Figures 106 thru 112 for MIMIC AC Timing.



**Figure 110. PC Host /RD /WR Timing**

**Table H. PC Host /RD /WR Timing**

No	Symbol	Parameter	Z8L182 20 MHz		Z80182 33 MHz		Units
			Min	Max	Min	Max	
1	tAR	/HRD Delay from Address	30		30		ns
2	tCSR	/HRD Delay from /HCS	30		30		ns
3	tAW	/HWR Delay from Address	30		30		ns
4	tCSW	/HWR Delay from /HCS	30		30		ns
5	tAh	Address Hold Time	20		20		ns
6	tCSh	/HCS Hold Time	20		20		ns

**Note:**

These AC parameter values are preliminary and are subject to change without notice.

16550 MIMIC TIMING (Continued)

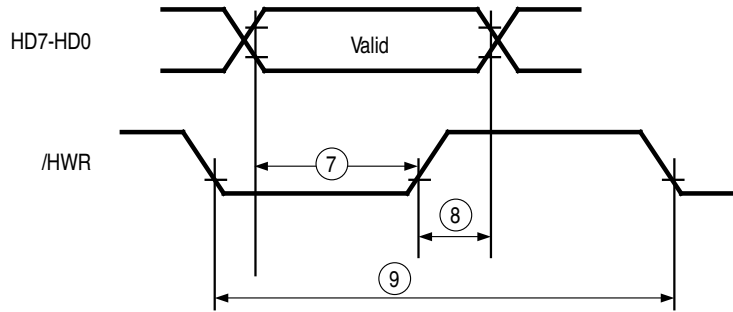


Figure 111. Data Setup and Hold, Output Delay, Write Cycle

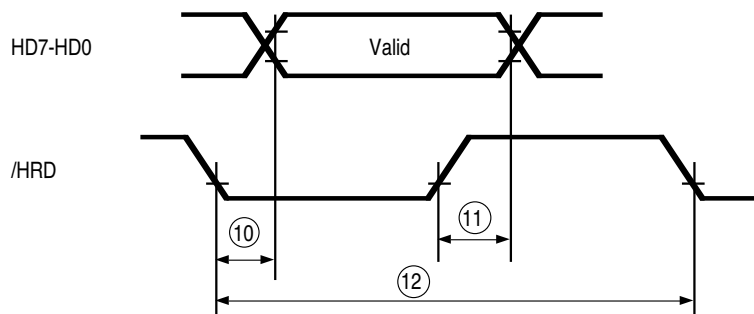


Figure 112. Data Setup and Hold, Output Delay, Read Cycle

Table I. Data Setup and Hold, Output Delay, Read Cycle

No.	Sym	Parameter	Z8L182 20 MHz		Z80182 33 MHz		Units
			Min	Max	Min	Max	
7	tDs	Data Setup Time	30		30		ns
8	tDh	Data Hold Time	30		30		ns
9	tWc	Write Cycle Delay	2.5 MPU Clock Cycles		2.5 MPU Clock Cycles		ns
10	tRvD	Delay from /HRD to Data		125		125	ns
11	tHz	/HRD to Floating Delay		100		100	ns
12	tRc	Read Cycle Delay	125		125		ns

Note:

These AC parameter values are preliminary and are subject to change without notice.

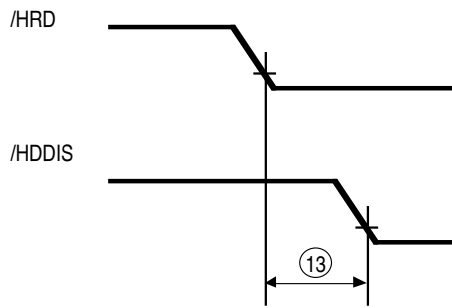


Figure 113. Driver Enable Timing

Table J. Driver Enable Timing

No.	Sym	Parameter	Z8L182 20 MHz		Z80182 33 MHz		Units
			Min	Max	Min	Max	
13	tRDD	/HRD to Driver Enable/Disable		60		60	ns

**Note:**

These AC parameter values are preliminary and are subject to change without notice.

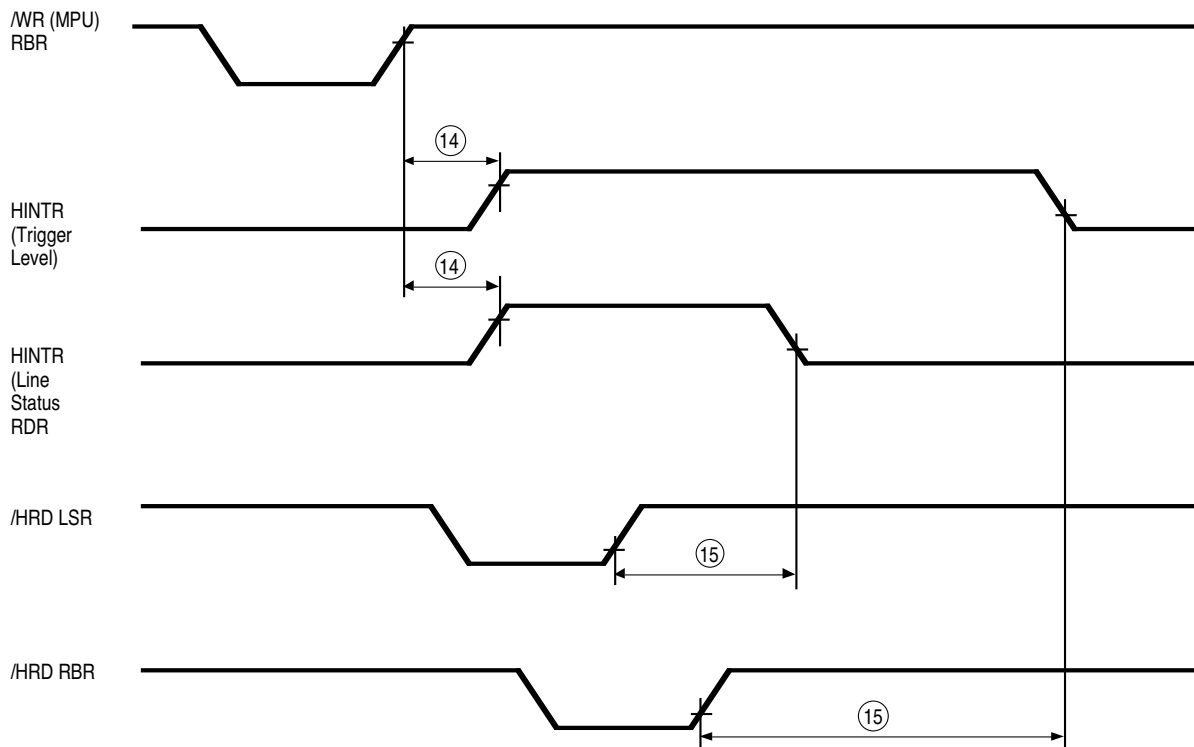


Figure 114. Interrupt Timing RCVR FIFO

16550 MIMIC TIMING (Continued)

Table K. Interrupt Timing RCVR FIFO

No.	Sym	Parameter	Z8L182 20 MHz		Z80182 33 MHz	
			Min	Max	Min	Max
14	tSINT	Delay from Stop to Set Interrupt		2 MPU Clock Cycles		2 MPU Clock Cycles
15	tRINT	Delay from /HRD (RD RBR or RD LSR) to Reset Interrupt		2 MPU Clock Cycles		2 MPU Clock Cycles

Note:

These AC parameter values are preliminary and are subject to change without notice.

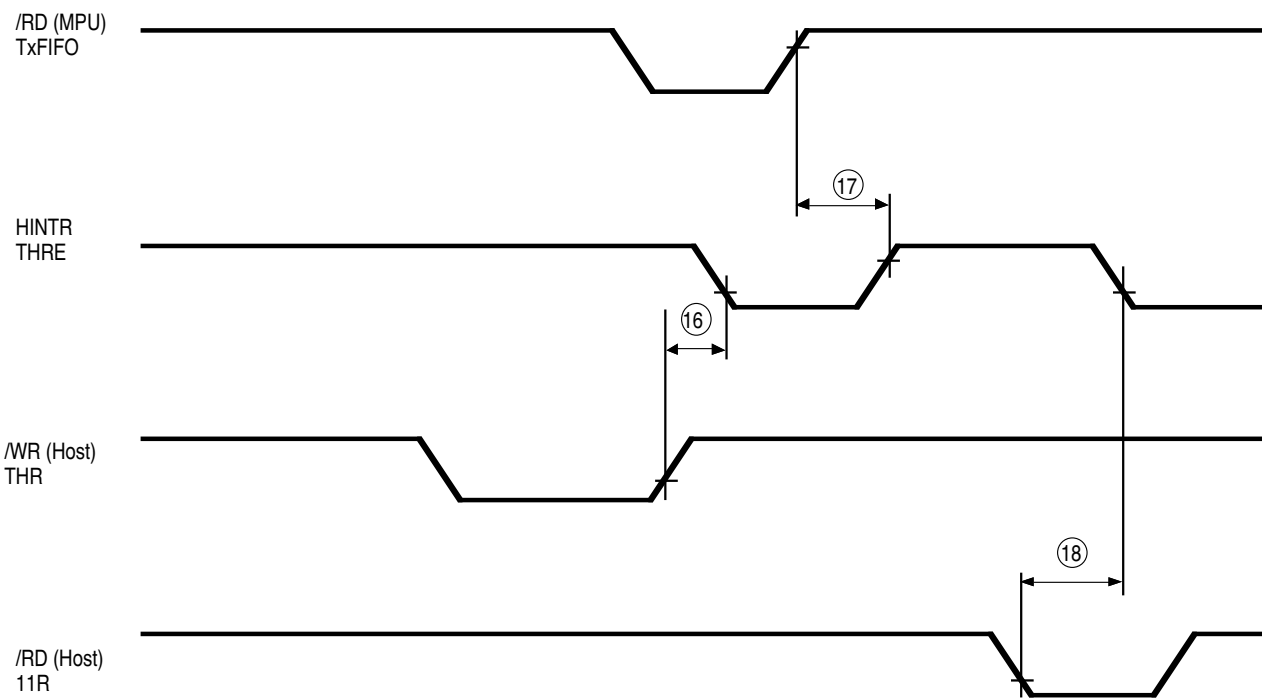
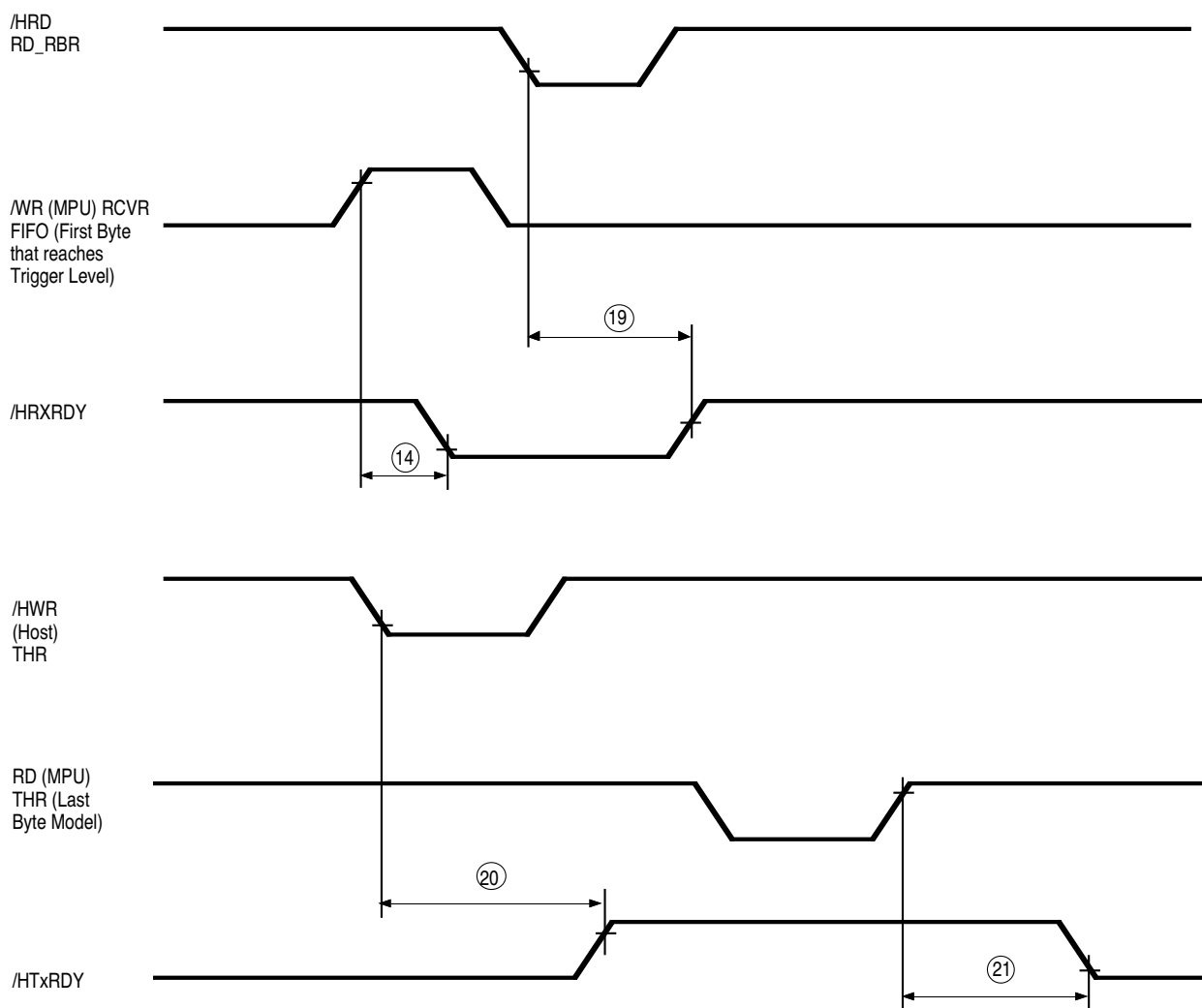


Figure 115. Interrupt Timing Transmitter FIFO

Table L. Interrupt Timing Transmitter FIFO

No.	Sym	Parameter	Z8L182 20 MHz		Z80182 33 MHz	
			Min	Max	Min	Max
16	tHR	Delay from /WR (WR THR) to Reset Interrupt		2.5 MPU Clock Cycles		2.5 MPU Clock Cycles
17	TSTI	Delay from Stop to Interrupt (THRE)	2 MPU Clock Cycles		2 MPU Clock Cycles	
18	TIR	Delay from /RD (RD IIR) to Reset Interrupt (THRIE)		75		75



Note: If FCR0-1  
TSINT=3 CPU  
Clock Cycles

Figure 116 RCVR FIFO Bytes Other Than First

**16550 MIMIC TIMING** (Continued)**Table M. RCVR FIFO Bytes Other Than First**

No	Sym	Parameter	Z8L182 20 MHz		Z80182 33 MHz		Units
			Min	Max	Min	Max	
19	tRXi	Delay from /HRD RBR to /HRxRDY Inactive		290		290	ns
20	TWxi	Delay from Write to /HTxRDY Inactive		125		125	
21	tSXa	Delay From Start to /HTxRDY Active		3 MPU Clock Cycles		3 MPU Clock Cycles	

**Note:**

These AC parameter values are preliminary and are subject to change without notice.

**Clock Generator**

The Z80182/Z8L182 ZIP™ uses the Z182 MPUs on-chip clock generator to supply system clock. The required clock is easily generated by connection a crystal to the external terminals (XTAL,EXTAL). The clock output runs at half the crystal frequency for X2 mode.

Recommended characteristics of the crystal and the values for the capacitor are as follows (the values will change with crystal frequency).

**Type of crystal:**

Fundamental, parallel type crystal  
(AT cut is recommended).

**Frequency tolerance:**

Application dependent.

**CL, Load capacitance:**

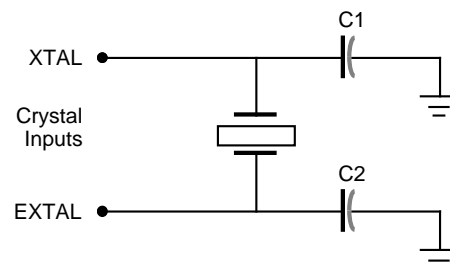
Approximately 22 pF  
(acceptable range is 20-30 pF).

**RS, equivalent-series resistance:**

$\leq 60$  Ohms

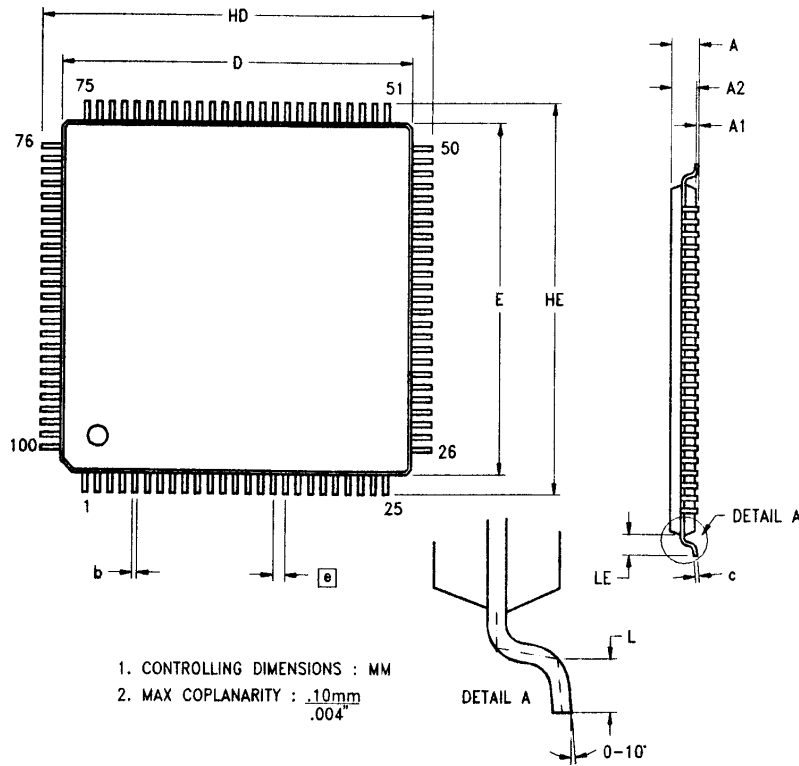
$C_{IN}=C_{OUT}=15\sim 22$  pF.

For PHI > 15 MHz (X2 Mode), it is recommended that an oscillator be used as input to EXTAL.

**Figure 117. Circuit Configuration For Crystal**



PACKAGE INFORMATION

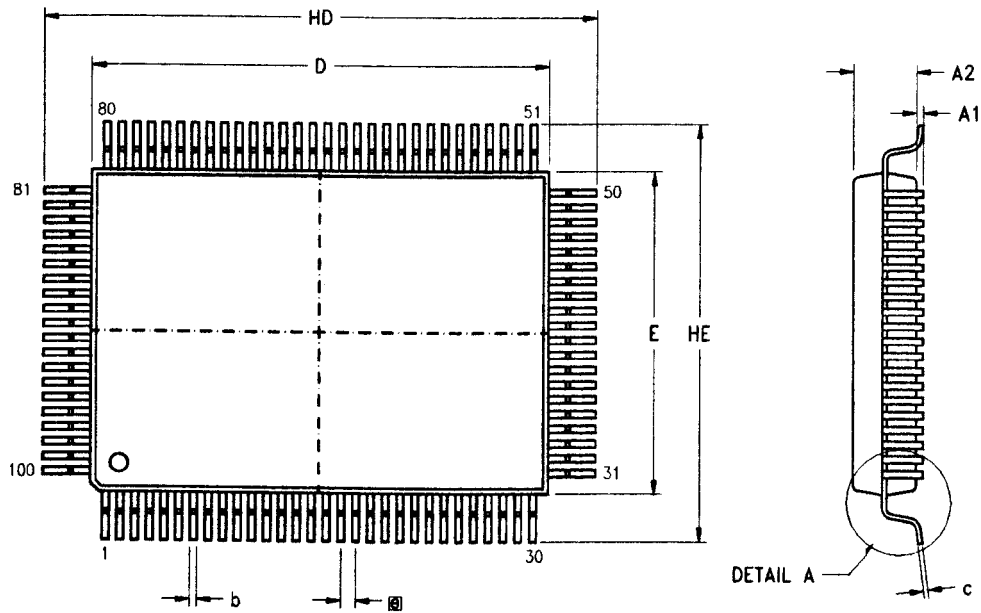


SYMBOL	MILLIMETER		INCH	
	MIN	MAX	MIN	MAX
A	1.35	1.60	.053	.063
A1	0.05	0.20	.002	.008
A2	1.30	1.50	.051	.059
b	0.15	0.26	.006	.010
c	0.10	0.20	.004	.008
HD	15.85	16.15	.624	.636
D	13.90	14.10	.547	.555
HE	15.85	16.15	.624	.636
E	13.90	14.10	.547	.555
e	0.50 TYP		.0197 TYP	
L	0.35	0.65	.014	.026
LE	0.90	1.10	.035	.043

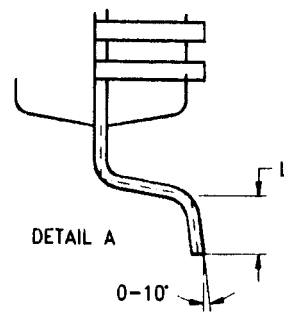
- 1. CONTROLLING DIMENSIONS : MM
- 2. MAX COPLANARITY :  $\frac{.10\text{mm}}{.004''}$

100-Pin VQFP Package Diagram

PACKAGE INFORMATION (Continued)



SYMBOL	MILLIMETER		INCH	
	MIN	MAX	MIN	MAX
A1	0.10	0.30	.004	.012
A2	2.60	2.80	.102	.110
b	0.25	0.40	.010	.016
c	0.13	0.20	.005	.008
HD	23.70	24.15	.933	.951
D	19.90	20.10	.783	.791
HE	17.70	18.15	.697	.715
E	13.90	14.10	.547	.555
e	0.65 TYP		.0256 TYP	
L	0.70	1.10	.028	.043



NOTES:  
 1. CONTROLLING DIMENSIONS : MILLIMETER  
 2. MAX COPLANARITY :  $\frac{.10}{.004}$

100-Pin QFP Package Diagram

**ORDERING INFORMATION****Z8L182****Z80182****20 MHz**

Z8L18220ASC

Z8L18220FSC

**33 MHz**

Z8018233ASC

Z8018233FSC

For fast results, contact your local Zilog sales office for assistance in ordering the part(s) desired.

**Preferred Package**

A = VQFP (Very Small QFP)

F = Plastic Quad Flatpack

**Preferred Temperature**

S = 0°C to +70°C

**Speeds**

20 = 20 MHz

33 = 33 MHz

**Environmental**

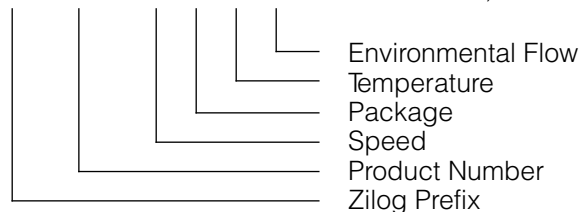
C = Plastic Standard

D = Plastic Stressed

E = Hermetic Standard

**Example:**

**Z 80182 20 F S C** is a Z80182, 20 MHz, QFP, 0°C to +70°C, Plastic Standard Flow



© 1997 by Zilog, Inc. All rights reserved. No part of this document may be copied or reproduced in any form or by any means without the prior written consent of Zilog, Inc. The information in this document is subject to change without notice. Devices sold by Zilog, Inc. are covered by warranty and patent indemnification provisions appearing in Zilog, Inc. Terms and Conditions of Sale only. Zilog, Inc. makes no warranty, express, statutory, implied or by description, regarding the information set forth herein or regarding the freedom of the described devices from intellectual property infringement. Zilog, Inc. makes no warranty of merchantability or fitness for any purpose. Zilog, Inc. shall not be responsible for any errors that may appear in this document. Zilog, Inc. makes no commitment to update or keep current the information contained in this document.

Zilog's products are not authorized for use as critical components in life support devices or systems unless a specific written agreement pertaining to such intended use is executed between the customer and Zilog prior to use. Life support devices or systems are those which are intended for surgical implantation into the body, or which sustains life whose failure to perform, when properly used in accordance with instructions for use provided in the labeling, can be reasonably expected to result in significant injury to the user.

Zilog, Inc. 210 East Hacienda Ave.  
Campbell, CA 95008-6600  
Telephone (408) 370-8000  
Telex 910-338-7621  
FAX 408 370-8056  
Internet: <http://www.zilog.com>

Компания «Океан Электроники» предлагает заключение долгосрочных отношений при поставках импортных электронных компонентов на взаимовыгодных условиях!

Наши преимущества:

- Поставка оригинальных импортных электронных компонентов напрямую с производств Америки, Европы и Азии, а так же с крупнейших складов мира;
- Широкая линейка поставок активных и пассивных импортных электронных компонентов (более 30 млн. наименований);
- Поставка сложных, дефицитных, либо снятых с производства позиций;
- Оперативные сроки поставки под заказ (от 5 рабочих дней);
- Экспресс доставка в любую точку России;
- Помощь Конструкторского Отдела и консультации квалифицированных инженеров;
- Техническая поддержка проекта, помощь в подборе аналогов, поставка прототипов;
- Поставка электронных компонентов под контролем ВП;
- Система менеджмента качества сертифицирована по Международному стандарту ISO 9001;
- При необходимости вся продукция военного и аэрокосмического назначения проходит испытания и сертификацию в лаборатории (по согласованию с заказчиком);
- Поставка специализированных компонентов военного и аэрокосмического уровня качества (Xilinx, Altera, Analog Devices, Intersil, Interpoint, Microsemi, Actel, Aeroflex, Peregrine, VPT, Syfer, Eurofarad, Texas Instruments, MS Kennedy, Miteq, Cobham, E2V, MA-COM, Hittite, Mini-Circuits, General Dynamics и др.);

Компания «Океан Электроники» является официальным дистрибьютором и эксклюзивным представителем в России одного из крупнейших производителей разъемов военного и аэрокосмического назначения «JONHON», а так же официальным дистрибьютором и эксклюзивным представителем в России производителя высокотехнологичных и надежных решений для передачи СВЧ сигналов «FORSTAR».



## JONHON

«JONHON» (основан в 1970 г.)

Разъемы специального, военного и аэрокосмического назначения:

(Применяются в военной, авиационной, аэрокосмической, морской, железнодорожной, горно- и нефтедобывающей отраслях промышленности)

«FORSTAR» (основан в 1998 г.)

ВЧ соединители, коаксиальные кабели, кабельные сборки и микроволновые компоненты:

(Применяются в телекоммуникациях гражданского и специального назначения, в средствах связи, РЛС, а так же военной, авиационной и аэрокосмической отраслях промышленности).



Телефон: 8 (812) 309-75-97 (многоканальный)

Факс: 8 (812) 320-03-32

Электронная почта: [ocean@oceanchips.ru](mailto:ocean@oceanchips.ru)

Web: <http://oceanchips.ru/>

Адрес: 198099, г. Санкт-Петербург, ул. Калинина, д. 2, корп. 4, лит. А