

**Tippette Switches**



The Tippette Series is a traditionally styled rocker switch, available in sealed or unsealed versions. These switches are appropriate for use in those applications not requiring the more stringent sealing protection of the V-Series and L-Series switches. The Tippette Series is available in both illuminated and non-illuminated versions and features a wide variety of circuits, actuator styles and bracket options. This versatile offering includes international agency certifications and ratings to 26 amps for select circuits.

**Electrical**

Contact Rating . . . . .	15 amps, 125 VAC 10 amps, 250 VAC 3/4 HP 125-250 VAC 15 amps, 12-30 VDC
Life . . . . .	25,000 cycles circuit dependent 50,000 cycles circuit dependent consult factory for applicable circuits.
Contacts . . . . .	Fine silver, silver cad-oxide
Terminals . . . . .	Brass or copper/silver plate 1/4" (6.3mm) Quick Connect terminations standard. Solder lug - Brass Tin Plated Wire Lead 16 gauge standard 105°C 600VAC Screw Terminals - Brass

**Mechanical**

Endurance . . . . . 100,000 cycles minimum

**Physical**

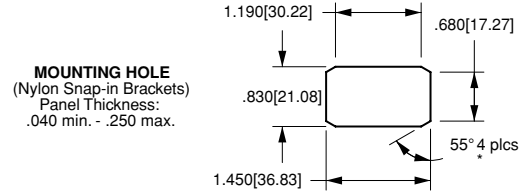
Lighted . . . . .	Incandescent - rated 10,000 hours Neon - rated 25,000 hours
Seals . . . . .	Bracket - Actuator WBL/MBL optional external gasket panel seal
Base . . . . .	Phenolic (150°C)
Rocker/Bracket . . . . .	Nylon 66 (105°C)

**Agency Certifications**



Select circuits and constructions with IEC approvals are available. Consult factory.

**Mounting**



**MOUNTING HOLE**  
(Nylon Snap-in Brackets)  
Panel Thickness:  
.040 min. - .250 max.

\*Angled corners are suggested for optimum fit.  
Standard rectangular cutout is acceptable.

**TIGA51 - 6M - BL - MBL**

<sup>1</sup> Base Part Number

<sup>2</sup> Actuator Style

<sup>3</sup> Actuator Color

<sup>4</sup> Bracket

**1 BASE PART NUMBER: SERIES/POLES/CIRCUITRY<sup>8, 11, 13</sup>/RATING<sup>7</sup>/TERMINATION<sup>10</sup>**

**10A 250VAC, 15A 125VAC, 3/4 HP 125-250VAC, 15A 6-28VDC<sup>7</sup>**

**Single Pole in Double Pole base<sup>2</sup>**

solder lug	.250 tab	screw term.	wire leads	
TIGA50	TIGA51	TIGA54	TIGA55	ON-NONE-OFF
TIGA5A	TIGA5B	TIGA5E	TIGA5F	(ON)-NONE-OFF
TIGA5L	TIGA5M	TIGA5S	TIGA5T	ON-NONE-(OFF)
TIGB50	TIGB51	TIGB54	TIGB55	ON-NONE-ON
TIGB5A	TIGB5B	TIGB5E	TIGB5F	ON-NONE-(ON)
TIGC50	TIGC51	TIGC54	TIGC55	ON-OFF-ON
TIGC5A	TIGC5B	TIGC5E	TIGC5F	ON--OFF-(ON)
TIGC5L	TIGC5M	TIGC5S	TIGC5T	(ON)-OFF-(ON)

**Double Pole**

solder lug	.250 tab	screw term.	wire leads	
TIGK50	TIGK51	TIGK54	TIGK55	ON-NONE-OFF
TIGK5A	TIGK5B	TIGK5E	TIGK5F	(ON)-NONE-OFF
TIGK5L	TIGK5M	TIGK5S	TIGK5T	ON-NONE-(OFF)
TIGL50	TIGL51	TIGL54	TIGL55	ON-NONE-ON
TIGL5A	TIGL5B	TIGL5E	TIGL5F	ON-NONE-(ON)
TIGM50	TIGM51	TIGM54	TIGM55	ON-OFF-ON
TIGM5A	TIGM5B	TIGM5E	TIGM5F	ON--OFF-(ON)
TIGM5L	TIGM5M	TIGM5S	TIGM5T	(ON)-OFF-(ON)

**Three Pole**

solder lug	.250 tab	screw term.	wire leads	
TIHK50	TIHK51	TIHK54	TIHK55	ON-NONE-OFF
TIHK5A	TIHK5B	TIHK5E	TIHK5F	(ON)-NONE-OFF
TIHK5L	TIHK5M	TIHK5S	TIHK5T	ON-NONE-(OFF)
TIHL50	TIHL51	TIHL54	TIHL55	ON-NONE-ON
TIHL5A	TIHL5B	TIHL5E	TIHL5F	ON-NONE-(ON)
TIHM50	TIHM51	TIHM54	TIHM55	ON-OFF-ON
TIHM5A	TIHM5B	TIHM5E	TIHM5F	ON--OFF-(ON)
TIHM5L	TIHM5M	TIHM5S	TIHM5T	(ON)-OFF-(ON)

**Four Pole**

solder lug	.250 tab	screw term.	wire leads	
TIK50	TIK51	TIK54	TIK55	ON-NONE-OFF
TIK5A	TIK5B	TIK5E	TIK5F	(ON)-NONE-OFF
TIK5L	TIK5M	TIK5S	TIK5T	ON-NONE-(OFF)
TIIL50	TIIL51	TIIL54	TIIL55	ON-NONE-ON
TIIL5A	TIIL5B	TIIL5E	TIIL5F	ON-NONE-(ON)
TIIM50	TIIM51	TIIM54	TIIM55	ON-OFF-ON
TIIM5A	TIIM5B	TIIM5E	TIIM5F	ON--OFF-(ON)
TIIM5L	TIIM5M	TIIM5S	TIIM5T	(ON)-OFF-(ON)

**VDE APPROVED**

**10A 250VAC, 15A 125VAC, 12(6)A 250VAC T85**

**Single Pole in Double Pole base<sup>2</sup>**

solder lug	.250 tab	wire lead	
TIGA90	TIGA91	TIGA95	ON-NONE-OFF
TIGB90	TIGB91	TIGB95	ON-NONE-ON
TIGC90	TIGC91	TIGC95	ON-OFF-ON

**Double Pole**

solder lug	.250 tab	wire lead	
TIGK90	TIGK91	TIGK95	ON-NONE-OFF
TIGL90	TIGL91	TIGL95	ON-NONE-ON
TIGM90	TIGM91	TIGM95	ON-OFF-ON

**Additional ratings up to 20A 125-277VAC, 1 1/2HP 125 VAC, 2HP 250VAC are available.**

**Consult factory for specifics.**

**2 ACTUATOR STYLE**

<b>1S</b>	Angular/Smooth Face Gloss <sup>12</sup>	<b>6M</b>	Curved/Smooth Face Matte <sup>3</sup>
<b>1C</b>	Angular/Cross Serations Gloss <sup>12</sup>	<b>6S</b>	Curved/Smooth Face Gloss <sup>3</sup>
<b>1F</b>	Flatted/Smooth Face Gloss <sup>12</sup>	<b>7S</b>	Rounded Paddle/Smooth Face Gloss <sup>1</sup>
<b>1L</b>	Angular/Longline Serrations Gloss <sup>1, 12</sup>	<b>7N</b>	Witch's Hat/Narrow <sup>15</sup>
<b>2L</b>	Long Smooth/Narrow <sup>16</sup>	<b>7P</b>	Witch's Hat/Wide <sup>15</sup>

**3 ACTUATOR COLOR<sup>9</sup>**

**BL** black    **WH** white    **RD** red

**4 BRACKET STYLE<sup>9</sup>**

<b>A</b>	Screw Mount <sup>5</sup>
<b>B</b>	Screw Mount <sup>5, 14</sup>
<b>C</b>	Screw Mount <sup>5</sup>
<b>H</b>	Screw Mount <sup>5</sup>
<b>NBL</b>	Nylon Black
<b>WBL</b>	Watershedding Black <sup>4</sup>
<b>MBL</b>	Marine Style Black <sup>5</sup>
<b>FN</b>	Metal Snap-In <sup>5</sup>
<b>FN BLK</b>	Black Metal Snap-In <sup>5</sup>
<b>FN SS</b>	Stainless Steel Snap-In <sup>5</sup>
<b>FW</b>	Wide Stainless Steel Snap-In <sup>9</sup>

**NOTES**

- 1 NBL, FN, & FW brackets only.
- 2 For single pole switch in a single pole base, specify TIL with single pole circuitry/rating/termination.
- 3 NBL, WBL, & MBL brackets only. With 6M actuator, brackets also will be matte finish.
- 4 6M & 6S actuators only
- 5 Not available with 6M & 6S actuators.
- 6 Consists of WBL bracket, neoprene seal, and dummy rivets at open holes. Consult factory for agency approval status. All ratings are appropriate for usage in low voltage applications.
- 7 For additional special circuits, see page 21.
- 9 Custom colors are available, consult factory.
- 10 .187 tab and PC terminations are also available. Consult factory for catalog number callout.
- 11 ( ) momentary
- 12 Not available with WBL or MBL style brackets.
- 13 Additional circuits available. See page 21.
- 14 Available with single pole TIL-Series only.
- 15 Available with bracket A, C or H only.
- 16 Not available with MBL or H brackets. Can be supplied as a double rocker to control separate poles of a TIG, TH or TII switch. Consult factory for details.

**LTILA51 - 6M - BL - RC - MBL - 12V**

<sup>1</sup> Base Part Number

<sup>2</sup> Actuator Style

<sup>3</sup> Actuator Color

<sup>4</sup> Lens Color

<sup>5</sup> Bracket

<sup>6</sup> Lamp Voltage

**1 BASE PART NUMBER: SERIES/POLES/ILLUMINATION/CIRCUITRY<sup>12</sup>/RATING<sup>10</sup>/TERMINATION<sup>14</sup>**

**10A 250VAC, 15A 125VAC, 3/4 HP 125-250VAC, 15A 15-28VDC**

**illuminated Single Pole in Double Pole base**

solder lug	.250 tab	screw term.	wire leads	
LTILA50	LTILA51	LTILA54	LTILA55	ON-NONE-OFF
LTILA5A	LTILA5B	LTILA5E	LTILA5F	(ON)-NONE-OFF
LTILA5L	LTILA5M	LTILA5S	LTILA5T	ON-NONE-(OFF)
LTILB50	LTILB51	LTILB54	LTILB55	ON-NONE-ON
LTILB5A	LTILB5B	LTILB5E	LTILB5F	ON-NONE-(ON)
LTILC50	LTILC51	LTILC54	LTILC55	ON-OFF-ON
LTILC5A	LTILC5B	LTILC5E	LTILC5F	ON--OFF-(ON)
LTILC5L	LTILC5M	LTILC5S	LTILC5T	(ON)-OFF-(ON)

**illuminated Double Pole**

solder lug	.250 tab	screw term.	wire leads	
LTIGK50	LTIGK51	LTIGK54	LTIGK55	ON-NONE-OFF
LTIGK5A	LTIGK5B	LTIGK5E	LTIGK5F	(ON)-NONE-OFF
LTIGK5L	LTIGK5M	LTIGK5S	LTIGK5T	ON-NONE-(OFF)
LTIGL50	LTIGL51	LTIGL54	LTIGL55	ON-NONE-ON
LTIGL5A	LTIGL5B	LTIGL5E	LTIGL5F	ON-NONE-(ON)
LTIGM50	LTIGM51	LTIGM54	LTIGM55	ON-OFF-ON
LTIGM5A	LTIGM5B	LTIGM5E	LTIGM5F	ON--OFF-(ON)
LTIGM5L	LTIGM5M	LTIGM5S	LTIGM5T	(ON)-OFF-(ON)

**Additional ratings up to 12A 250VAC, 17A 125 VAC, 3/4 HP 125 VAC, 1HP 250VAC are available.**

**Consult factory for specifics.**

**Three pole switch is also available: Substitute H for fourth digit of part number. ex. LTIHK51**

**NOTES**

- 1 NBL, FN, & FW brackets only. Double pole circuits provided with 3 pole base.
- 2 LTIL-Series with NBL, FN, & FW brackets only.
- 3 NBL, WBL, & MBL brackets only. With 6M actuator, bracket will also be matte finish.
- 4 1S, 1C, 1L & 7S with NBL bracket only available with LTIL-Series.
- 5 6M, 6S actuators only.
- 6 Not available with 6M and 6S actuators.
- 7 Not recommended with neon lamps.
- 8 Consists of WBL bracket, neoprene seal, dummy rivets at open holes. Consult factory for agency approval status.
- 9 Not recommended with blue or green lenses.
- 10 All ratings are appropriate for usage in low voltage applications.
- 11 Custom colors and additional bracket styles are available, consult factory.
- 12 ( ) - momentary
- 13 All double throw circuits supplied with two lenses. To specify two different lens colors, specify second color, after first color. (ex. LTIGM51-6S-BL-RC/GN-WBL-12V)
- 14 .187 tab and PC terminations are also available. Consult factory for catalog number callout.

**2 ACTUATOR STYLE<sup>4</sup>**

<b>1S</b>	Angular/Smooth Face Gloss <sup>1</sup>
<b>1C</b>	Angular/Cross Serations Gloss <sup>1</sup>
<b>1L</b>	Angular/Longline Serrations Gloss <sup>1</sup>
<b>6M</b>	Curved/Smooth Face Matte <sup>3</sup>
<b>6S</b>	Curved/Smooth Face Gloss <sup>3</sup>
<b>7S</b>	Rounded Paddle/Smooth Face Gloss <sup>2</sup>

**3 ACTUATOR COLOR<sup>11</sup>**

**BL** black    **WH** white    **RD** red

**4 LENS COLOR<sup>13</sup>**

**AM** amber    **RC** red    **GN** green<sup>7</sup>  
**LU** blue<sup>7</sup>    **CL** clear    **WH** white

**5 BRACKET STYLE<sup>11</sup>**

<b>NBL</b>	Nylon Black
<b>WBL</b>	Watershedding Black <sup>5</sup>
<b>MBL</b>	Marine Style Black <sup>5, 6</sup>
<b>FN</b>	Metal Snap-In <sup>4, 6</sup>
<b>FN BLK</b>	Black Metal Snap-In <sup>4, 6</sup>
<b>FN SS</b>	Stainless Steel Snap-In <sup>4, 6</sup>

**6 LAMP VOLTAGE**

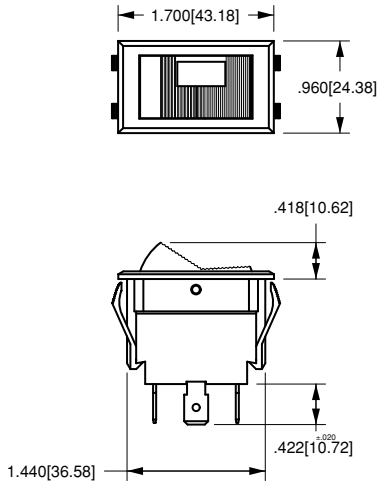
**incandescent**

**125N** 125 volt    **250N** 250 volt

**neon<sup>9</sup>**

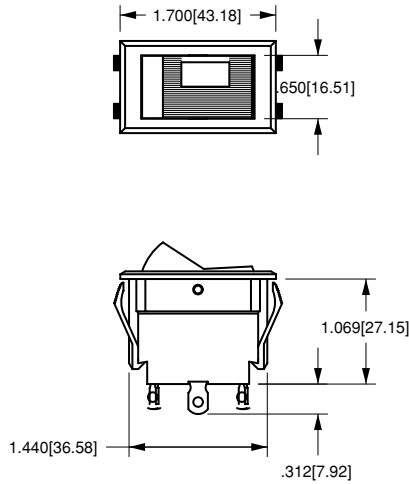
**6V** 6 volt    **12V** 12 volt    **18V** 18 volt  
**24V** 24 volt    **28V** 28 volt

**1C**  
CROSS-LINE W/ONE LENS



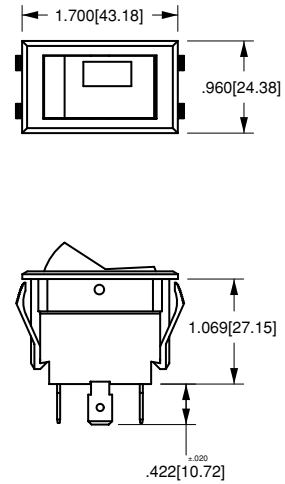
WITH .250 TAB  
TERMINALS  
AND NBL BRACKET

**1L**  
LONG-LINE W/ONE LENS



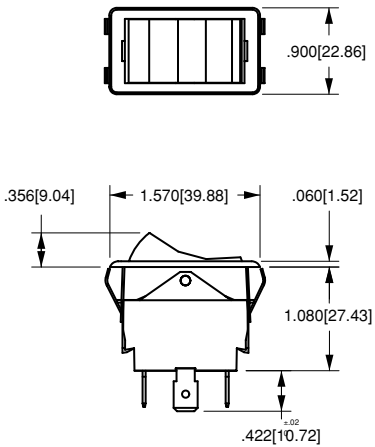
WITH SOLDER LUG  
TERMINAL  
AND NBL BRACKET

**1S**  
SMOOTH W/ONE LENS



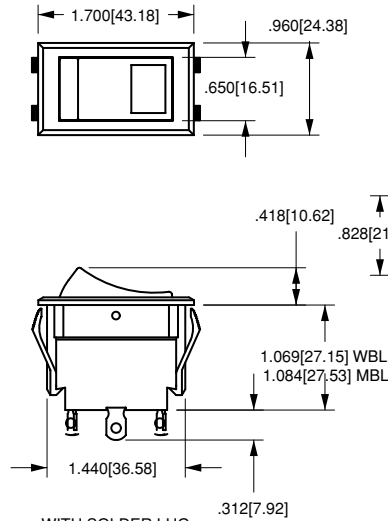
WITH .250 TAB  
TERMINALS  
AND NBL BRACKET

**1F**  
FLATTED STYLE NO LENS



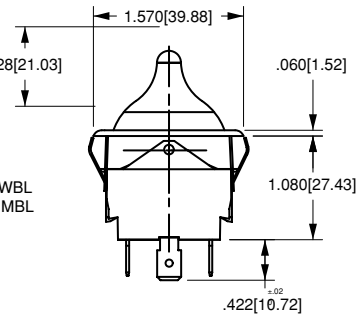
WITH .250 TAB  
TERMINALS  
AND FN BRACKET

**6M, 6S**  
CURVED W/ONE LENS



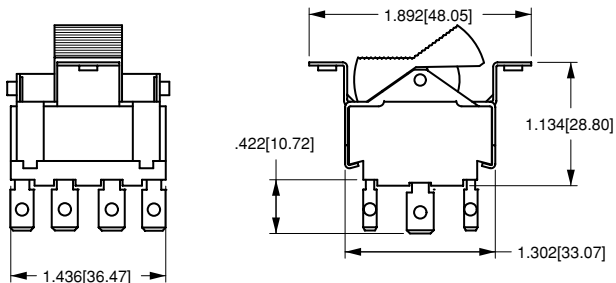
WITH SOLDER LUG  
TERMINALS  
AND WBL/MBL BRACKET

**7S**  
TOGGLE-STYLE W/ONE LENS

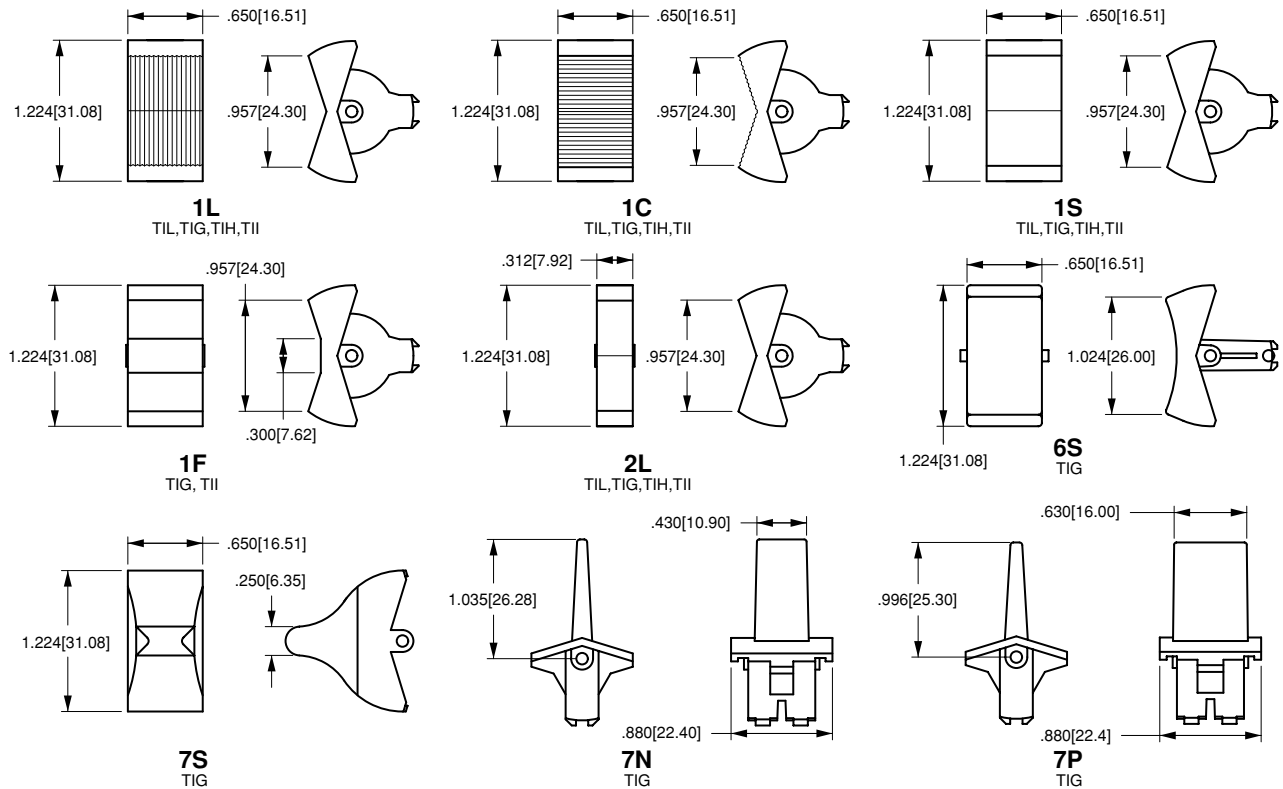
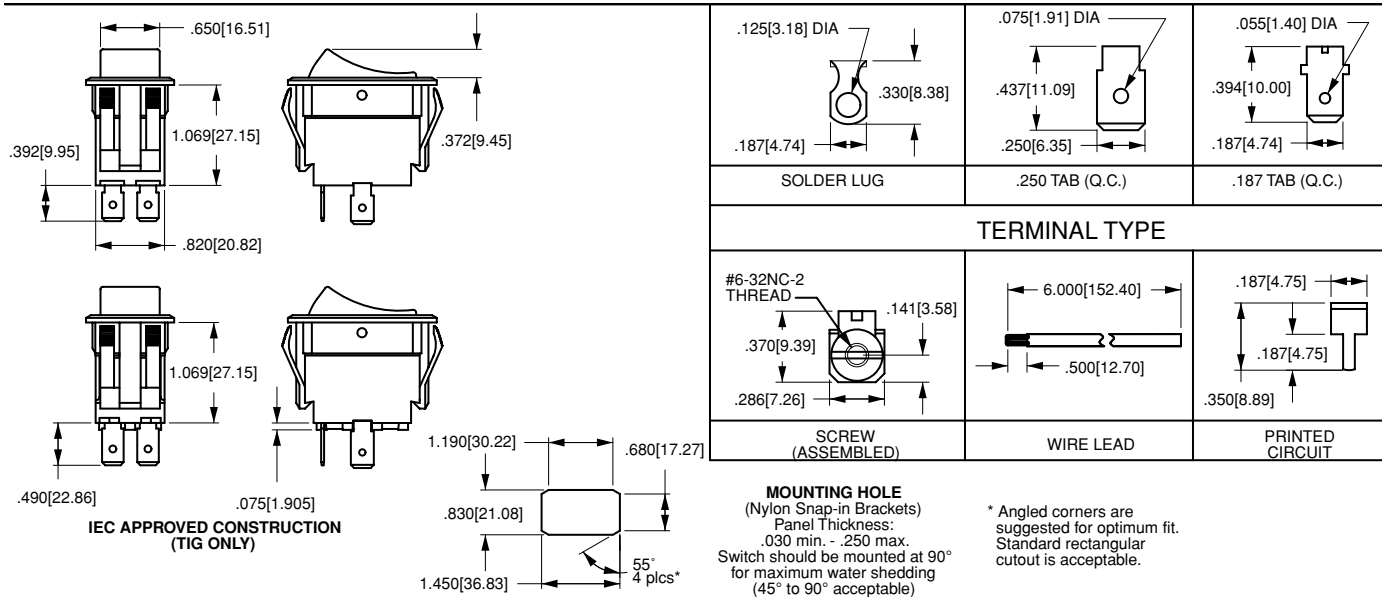


WITH .250 TAB  
TERMINALS  
AND FN BRACKET

**1C**  
TII-SERIES CROSS-LINE W ONE LENS



WITH .250 TAB TERMINALS AND A BRACKET

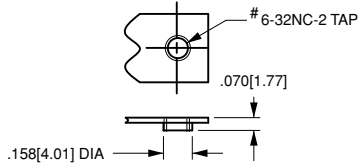


**Special Circuits for Tippette Rocker Switches**

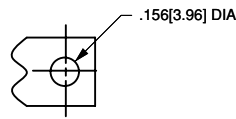
Circuit	Position 1	Position 2	Position 3
Progressive Two Circuit			
<b>GG</b>	BOTH CIRCUITS ON	ONE CIRCUIT ON	OFF
<b>GG</b>	BOTH CIRCUITS (ON)	ONE CIRCUIT ON	OFF
Single Pole Triple Throw			
<b>GE</b>	ON	ON	ON
Two Circuit			
<b>GH</b>	CIRCUIT 1 ON	BOTH CIRCUITS ON	CIRCUIT 2 ON
<b>GP</b>	CIRCUIT 2 ON	CIRCUIT 1 ON	OFF
Reversing Double Pole Double Throw			
<b>GO</b>	ON	OFF	ON
<b>GX</b>	ON	NONE	ON

( ) Indicates momentary function.

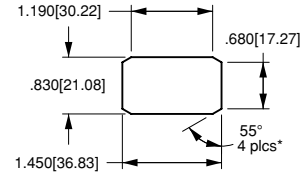
**Dimensional Specifications: in. [mm]**



**TAPPED HOLE**  
Standard with  
A & B Brackets



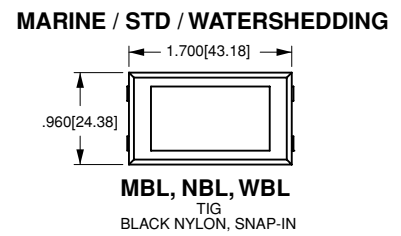
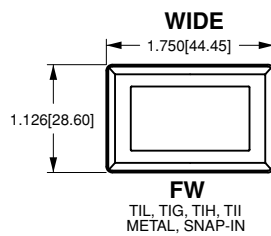
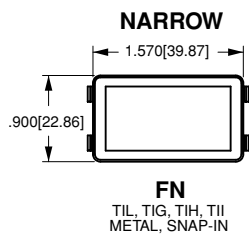
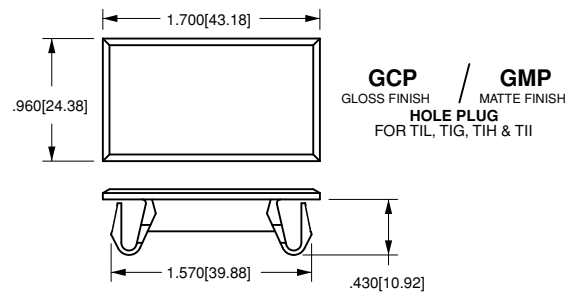
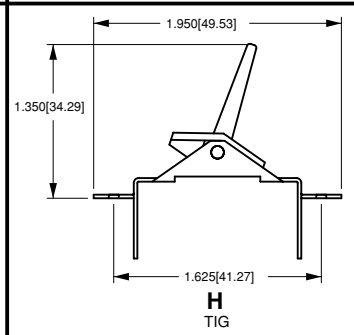
**CLEARANCE HOLE**  
Standard with  
C Bracket



**MOUNTING HOLE**  
(Nylon Snap-in Brackets)  
Panel Thickness:  
.030 min. - .250 max.

\* Angled corners are suggested for optimum fit. Standard rectangular cutout is acceptable.

TIL	TIG	TII	TIH
<p><b>A</b> TIL</p>	<p><b>A</b> TIG</p>	<p><b>A</b> TII</p>	<p><b>A</b> TIH</p>
<p><b>B</b> TIL</p>	<p><b>B</b> TII, TIG</p>		
<p><b>C*</b> TIL</p>	<p><b>C</b> TIG</p>	<p><b>C</b> TIH, TII</p>	



Компания «Океан Электроники» предлагает заключение долгосрочных отношений при поставках импортных электронных компонентов на взаимовыгодных условиях!

Наши преимущества:

- Поставка оригинальных импортных электронных компонентов напрямую с производств Америки, Европы и Азии, а так же с крупнейших складов мира;
- Широкая линейка поставок активных и пассивных импортных электронных компонентов (более 30 млн. наименований);
- Поставка сложных, дефицитных, либо снятых с производства позиций;
- Оперативные сроки поставки под заказ (от 5 рабочих дней);
- Экспресс доставка в любую точку России;
- Помощь Конструкторского Отдела и консультации квалифицированных инженеров;
- Техническая поддержка проекта, помощь в подборе аналогов, поставка прототипов;
- Поставка электронных компонентов под контролем ВП;
- Система менеджмента качества сертифицирована по Международному стандарту ISO 9001;
- При необходимости вся продукция военного и аэрокосмического назначения проходит испытания и сертификацию в лаборатории (по согласованию с заказчиком);
- Поставка специализированных компонентов военного и аэрокосмического уровня качества (Xilinx, Altera, Analog Devices, Intersil, Interpoint, Microsemi, Actel, Aeroflex, Peregrine, VPT, Syfer, Eurofarad, Texas Instruments, MS Kennedy, Miteq, Cobham, E2V, MA-COM, Hittite, Mini-Circuits, General Dynamics и др.);

Компания «Океан Электроники» является официальным дистрибьютором и эксклюзивным представителем в России одного из крупнейших производителей разъемов военного и аэрокосмического назначения «JONHON», а так же официальным дистрибьютором и эксклюзивным представителем в России производителя высокотехнологичных и надежных решений для передачи СВЧ сигналов «FORSTAR».



## JONHON

«JONHON» (основан в 1970 г.)

Разъемы специального, военного и аэрокосмического назначения:

(Применяются в военной, авиационной, аэрокосмической, морской, железнодорожной, горно- и нефтедобывающей отраслях промышленности)

«FORSTAR» (основан в 1998 г.)

ВЧ соединители, коаксиальные кабели, кабельные сборки и микроволновые компоненты:

(Применяются в телекоммуникациях гражданского и специального назначения, в средствах связи, РЛС, а так же военной, авиационной и аэрокосмической отраслях промышленности).



Телефон: 8 (812) 309-75-97 (многоканальный)

Факс: 8 (812) 320-03-32

Электронная почта: [ocean@oceanchips.ru](mailto:ocean@oceanchips.ru)

Web: <http://oceanchips.ru/>

Адрес: 198099, г. Санкт-Петербург, ул. Калинина, д. 2, корп. 4, лит. А