

Tippette Switches



The Tippette Series is a traditionally styled rocker switch, available in sealed or unsealed versions. These switches are appropriate for use in those applications not requiring the more stringent sealing protection of the V-Series and L-Series switches. The Tippette Series is available in both illuminated and non-illuminated versions and features a wide variety of circuits, actuator styles and bracket options. This versatile offering includes international agency certifications and ratings to 26 amps for select circuits.

Electrical

| | |
|--------------------------|--|
| Contact Rating | 15 amps, 125 VAC 10 amps, 250 VAC 3/4 HP 125-250 VAC 15 amps, 12-30 VDC |
| Life | 25,000 cycles circuit dependent 50,000 cycles circuit dependent consult factory for applicable circuits. |
| Contacts | Fine silver, silver cad-oxide |
| Terminals | Brass or copper/silver plate 1/4" (6.3mm) Quick Connect terminations standard. Solder lug - Brass Tin Plated Wire Lead 16 gauge standard 105°C 600VAC Screw Terminals - Brass |

Mechanical

Endurance 100,000 cycles minimum

Physical

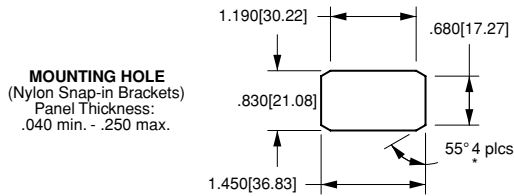
| | |
|--------------------------|---|
| Lighted | Incandescent - rated 10,000 hours Neon - rated 25,000 hours |
| Seals | Bracket - Actuator WBL/MBL optional external gasket panel seal |
| Base | Phenolic (150°C) |
| Rocker/Bracket | Nylon 66 (105°C) |

Agency Certifications



Select circuits and constructions with IEC approvals are available. Consult factory.

Mounting



*Angled corners are suggested for optimum fit. Standard rectangular cutout is acceptable.

TIGA51 - 6M - BL - MBL

¹ Base Part Number

² Actuator Style

³ Actuator Color

⁴ Bracket

1 BASE PART NUMBER: SERIES/POLES/CIRCUITRY^{8, 11, 13}/RATING⁷/TERMINATION¹⁰

10A 250VAC, 15A 125VAC, 3/4 HP 125-250VAC, 15A 6-28VDC⁷

Single Pole in Double Pole base²

| solder lug | .250 tab | screw term. | wire leads | |
|------------|----------|-------------|------------|---------------|
| TIGA50 | TIGA51 | TIGA54 | TIGA55 | ON-NONE-OFF |
| TIGA5A | TIGA5B | TIGA5E | TIGA5F | (ON)-NONE-OFF |
| TIGA5L | TIGA5M | TIGA5S | TIGA5T | ON-NONE-(OFF) |
| TIGB50 | TIGB51 | TIGB54 | TIGB55 | ON-NONE-ON |
| TIGB5A | TIGB5B | TIGB5E | TIGB5F | ON-NONE-(ON) |
| TIGC50 | TIGC51 | TIGC54 | TIGC55 | ON-OFF-ON |
| TIGC5A | TIGC5B | TIGC5E | TIGC5F | ON--OFF-(ON) |
| TIGC5L | TIGC5M | TIGC5S | TIGC5T | (ON)-OFF-(ON) |

Double Pole

| solder lug | .250 tab | screw term. | wire leads | |
|------------|----------|-------------|------------|---------------|
| TIGK50 | TIGK51 | TIGK54 | TIGK55 | ON-NONE-OFF |
| TIGK5A | TIGK5B | TIGK5E | TIGK5F | (ON)-NONE-OFF |
| TIGK5L | TIGK5M | TIGK5S | TIGK5T | ON-NONE-(OFF) |
| TIGL50 | TIGL51 | TIGL54 | TIGL55 | ON-NONE-ON |
| TIGL5A | TIGL5B | TIGL5E | TIGL5F | ON-NONE-(ON) |
| TIGM50 | TIGM51 | TIGM54 | TIGM55 | ON-OFF-ON |
| TIGM5A | TIGM5B | TIGM5E | TIGM5F | ON--OFF-(ON) |
| TIGM5L | TIGM5M | TIGM5S | TIGM5T | (ON)-OFF-(ON) |

Three Pole

| solder lug | .250 tab | screw term. | wire leads | |
|------------|----------|-------------|------------|---------------|
| TIHK50 | TIHK51 | TIHK54 | TIHK55 | ON-NONE-OFF |
| TIHK5A | TIHK5B | TIHK5E | TIHK5F | (ON)-NONE-OFF |
| TIHK5L | TIHK5M | TIHK5S | TIHK5T | ON-NONE-(OFF) |
| TIHL50 | TIHL51 | TIHL54 | TIHL55 | ON-NONE-ON |
| TIHL5A | TIHL5B | TIHL5E | TIHL5F | ON-NONE-(ON) |
| TIHM50 | TIHM51 | TIHM54 | TIHM55 | ON-OFF-ON |
| TIHM5A | TIHM5B | TIHM5E | TIHM5F | ON--OFF-(ON) |
| TIHM5L | TIHM5M | TIHM5S | TIHM5T | (ON)-OFF-(ON) |

Four Pole

| solder lug | .250 tab | screw term. | wire leads | |
|------------|----------|-------------|------------|---------------|
| TIK50 | TIK51 | TIK54 | TIK55 | ON-NONE-OFF |
| TIK5A | TIK5B | TIK5E | TIK5F | (ON)-NONE-OFF |
| TIK5L | TIK5M | TIK5S | TIK5T | ON-NONE-(OFF) |
| TIIL50 | TIIL51 | TIIL54 | TIIL55 | ON-NONE-ON |
| TIIL5A | TIIL5B | TIIL5E | TIIL5F | ON-NONE-(ON) |
| TIIM50 | TIIM51 | TIIM54 | TIIM55 | ON-OFF-ON |
| TIIM5A | TIIM5B | TIIM5E | TIIM5F | ON--OFF-(ON) |
| TIIM5L | TIIM5M | TIIM5S | TIIM5T | (ON)-OFF-(ON) |

VDE APPROVED

10A 250VAC, 15A 125VAC, 12(6)A 250VAC T85

Single Pole in Double Pole base²

| solder lug | .250 tab | wire lead | |
|------------|----------|-----------|-------------|
| TIGA90 | TIGA91 | TIGA95 | ON-NONE-OFF |
| TIGB90 | TIGB91 | TIGB95 | ON-NONE-ON |
| TIGC90 | TIGC91 | TIGC95 | ON-OFF-ON |

Double Pole

| solder lug | .250 tab | wire lead | |
|------------|----------|-----------|-------------|
| TIGK90 | TIGK91 | TIGK95 | ON-NONE-OFF |
| TIGL90 | TIGL91 | TIGL95 | ON-NONE-ON |
| TIGM90 | TIGM91 | TIGM95 | ON-OFF-ON |

Additional ratings up to 20A 125-277VAC, 1 1/2HP 125 VAC, 2HP 250VAC are available.

Consult factory for specifics.

2 ACTUATOR STYLE

| | | | |
|-----------|---|-----------|---|
| 1S | Angular/Smooth Face Gloss ¹² | 6M | Curved/Smooth Face Matte ³ |
| 1C | Angular/Cross Serations Gloss ¹² | 6S | Curved/Smooth Face Gloss ³ |
| 1F | Flatted/Smooth Face Gloss ¹² | 7S | Rounded Paddle/Smooth Face Gloss ¹ |
| 1L | Angular/Longline Serations Gloss ^{1, 12} | 7N | Witch's Hat/Narrow ¹⁵ |
| 2L | Long Smooth/Narrow ¹⁶ | 7P | Witch's Hat/Wide ¹⁵ |

3 ACTUATOR COLOR⁹

BL black **WH** white **RD** red

4 BRACKET STYLE⁹

| | |
|---------------|---|
| A | Screw Mount ⁵ |
| B | Screw Mount ^{5, 14} |
| C | Screw Mount ⁵ |
| H | Screw Mount ⁵ |
| NBL | Nylon Black |
| WBL | Watershedding Black ⁴ |
| MBL | Marine Style Black ⁵ |
| FN | Metal Snap-In ⁵ |
| FN BLK | Black Metal Snap-In ⁵ |
| FN SS | Stainless Steel Snap-In ⁵ |
| FW | Wide Stainless Steel Snap-In ⁵ |

NOTES

- 1 NBL, FN, & FW brackets only.
- 2 For single pole switch in a single pole base, specify TIL with single pole circuitry/rating/termination.
- 3 NBL, WBL, & MBL brackets only. With 6M actuator, brackets also will be matte finish.
- 4 6M & 6S actuators only
- 5 Not available with 6M & 6S actuators.
- 6 Consists of WBL bracket, neoprene seal, and dummy rivets at open holes. Consult factory for agency approval status. All ratings are appropriate for usage in low voltage applications.
- 7 For additional special circuits, see page 21.
- 9 Custom colors are available, consult factory.
- 10 .187 tab and PC terminations are also available. Consult factory for catalog number callout.
- 11 () momentary
- 12 Not available with WBL or MBL style brackets.
- 13 Additional circuits available. See page 21.
- 14 Available with single pole TIL-Series only.
- 15 Available with bracket A, C or H only.
- 16 Not available with MBL or H brackets. Can be supplied as a double rocker to control separate poles of a TIG, TIH or TII switch. Consult factory for details.

LTILA51 - 6M - BL - RC - MBL - 12V

¹ Base Part Number

² Actuator Style

³ Actuator Color

⁴ Lens Color

⁵ Bracket

⁶ Lamp Voltage

1 BASE PART NUMBER: SERIES/POLES/ILLUMINATION/CIRCUITRY¹²/RATING¹⁰/TERMINATION¹⁴

10A 250VAC, 15A 125VAC, 3/4 HP 125-250VAC, 15A 15-28VDC

illuminated Single Pole in Double Pole base

| solder lug | .250 tab | screw term. | wire leads | |
|------------|----------|-------------|------------|---------------|
| LTILA50 | LTILA51 | LTILA54 | LTILA55 | ON-NONE-OFF |
| LTILA5A | LTILA5B | LTILA5E | LTILA5F | (ON)-NONE-OFF |
| LTILA5L | LTILA5M | LTILA5S | LTILA5T | ON-NONE-(OFF) |
| LTILB50 | LTILB51 | LTILB54 | LTILB55 | ON-NONE-ON |
| LTILB5A | LTILB5B | LTILB5E | LTILB5F | ON-NONE-(ON) |
| LTILC50 | LTILC51 | LTILC54 | LTILC55 | ON-OFF-ON |
| LTILC5A | LTILC5B | LTILC5E | LTILC5F | ON--OFF-(ON) |
| LTILC5L | LTILC5M | LTILC5S | LTILC5T | (ON)-OFF-(ON) |

illuminated Double Pole

| solder lug | .250 tab | screw term. | wire leads | |
|------------|----------|-------------|------------|---------------|
| LTIGK50 | LTIGK51 | LTIGK54 | LTIGK55 | ON-NONE-OFF |
| LTIGK5A | LTIGK5B | LTIGK5E | LTIGK5F | (ON)-NONE-OFF |
| LTIGK5L | LTIGK5M | LTIGK5S | LTIGK5T | ON-NONE-(OFF) |
| LTIGL50 | LTIGL51 | LTIGL54 | LTIGL55 | ON-NONE-ON |
| LTIGL5A | LTIGL5B | LTIGL5E | LTIGL5F | ON-NONE-(ON) |
| LTIGM50 | LTIGM51 | LTIGM54 | LTIGM55 | ON-OFF-ON |
| LTIGM5A | LTIGM5B | LTIGM5E | LTIGM5F | ON--OFF-(ON) |
| LTIGM5L | LTIGM5M | LTIGM5S | LTIGM5T | (ON)-OFF-(ON) |

Additional ratings up to 12A 250VAC, 17A 125 VAC, 3/4 HP 125 VAC, 1HP 250VAC are available.

Consult factory for specifics.

Three pole switch is also available: Substitute H for fourth digit of part number. ex. LTIHK51

NOTES

- 1 NBL, FN, & FW brackets only. Double pole circuits provided with 3 pole base.
- 2 LTIL-Series with NBL, FN, & FW brackets only.
- 3 NBL, WBL, & MBL brackets only. With 6M actuator, bracket will also be matte finish.
- 4 1S, 1C, 1L & 7S with NBL bracket only available with LTIL-Series.
- 5 6M, 6S actuators only.
- 6 Not available with 6M and 6S actuators.
- 7 Not recommended with neon lamps.
- 8 Consists of WBL bracket, neoprene seal, dummy rivets at open holes. Consult factory for agency approval status.
- 9 Not recommended with blue or green lenses.
- 10 All ratings are appropriate for usage in low voltage applications.
- 11 Custom colors and additional bracket styles are available, consult factory.
- 12 () - momentary
- 13 All double throw circuits supplied with two lenses. To specify two different lens colors, specify second color, after first color. (ex. LTIGM51-6S-BL-RC/GN-WBL-12V)
- 14 .187 tab and PC terminations are also available. Consult factory for catalog number callout.

2 ACTUATOR STYLE⁴

| | |
|-----------|---|
| 1S | Angular/Smooth Face Gloss ¹ |
| 1C | Angular/Cross Serations Gloss ¹ |
| 1L | Angular/Longline Serations Gloss ¹ |
| 6M | Curved/Smooth Face Matte ³ |
| 6S | Curved/Smooth Face Gloss ³ |
| 7S | Rounded Paddle/Smooth Face Gloss ² |

3 ACTUATOR COLOR¹¹

BL black **WH** white **RD** red

4 LENS COLOR¹³

AM amber **RC** red **GN** green⁷
LU blue⁷ **CL** clear **WH** white

5 BRACKET STYLE¹¹

| | |
|---------------|---|
| NBL | Nylon Black |
| WBL | Watershedding Black ⁵ |
| MBL | Marine Style Black ^{5, 6} |
| FN | Metal Snap-In ^{4, 6} |
| FN BLK | Black Metal Snap-In ^{4, 6} |
| FN SS | Stainless Steel Snap-In ^{4, 6} |

6 LAMP VOLTAGE

incandescent

125N 125 volt **250N** 250 volt

neon⁹

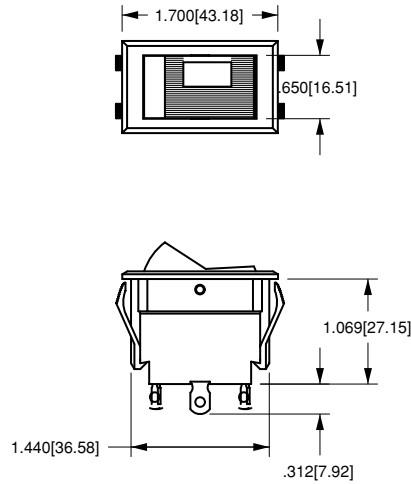
6V 6 volt **12V** 12 volt **18V** 18 volt
24V 24 volt **28V** 28 volt

1C
CROSS-LINE W/ONE LENS



WITH .250 TAB
TERMINALS
AND NBL BRACKET

1L
LONG-LINE W/ONE LENS



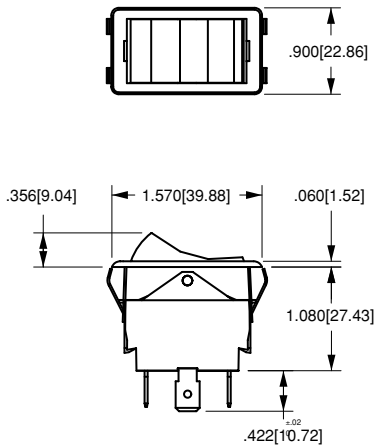
WITH SOLDER LUG
TERMINAL
AND NBL BRACKET

1S
SMOOTH W/ONE LENS



WITH .250 TAB
TERMINALS
AND NBL BRACKET

1F
FLATTED STYLE NO LENS



WITH .250 TAB
TERMINALS
AND FN BRACKET

6M, 6S
CURVED W/ONE LENS



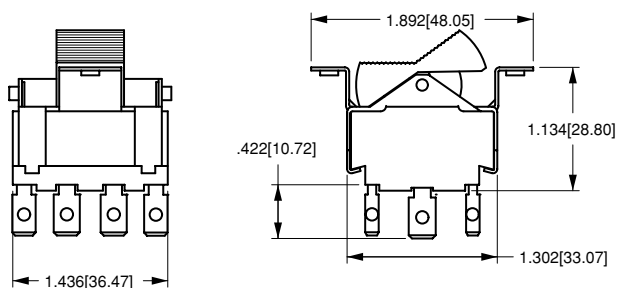
WITH SOLDER LUG
TERMINALS
AND WBL/MBL BRACKET

7S
TOGGLE-STYLE W/ONE LENS

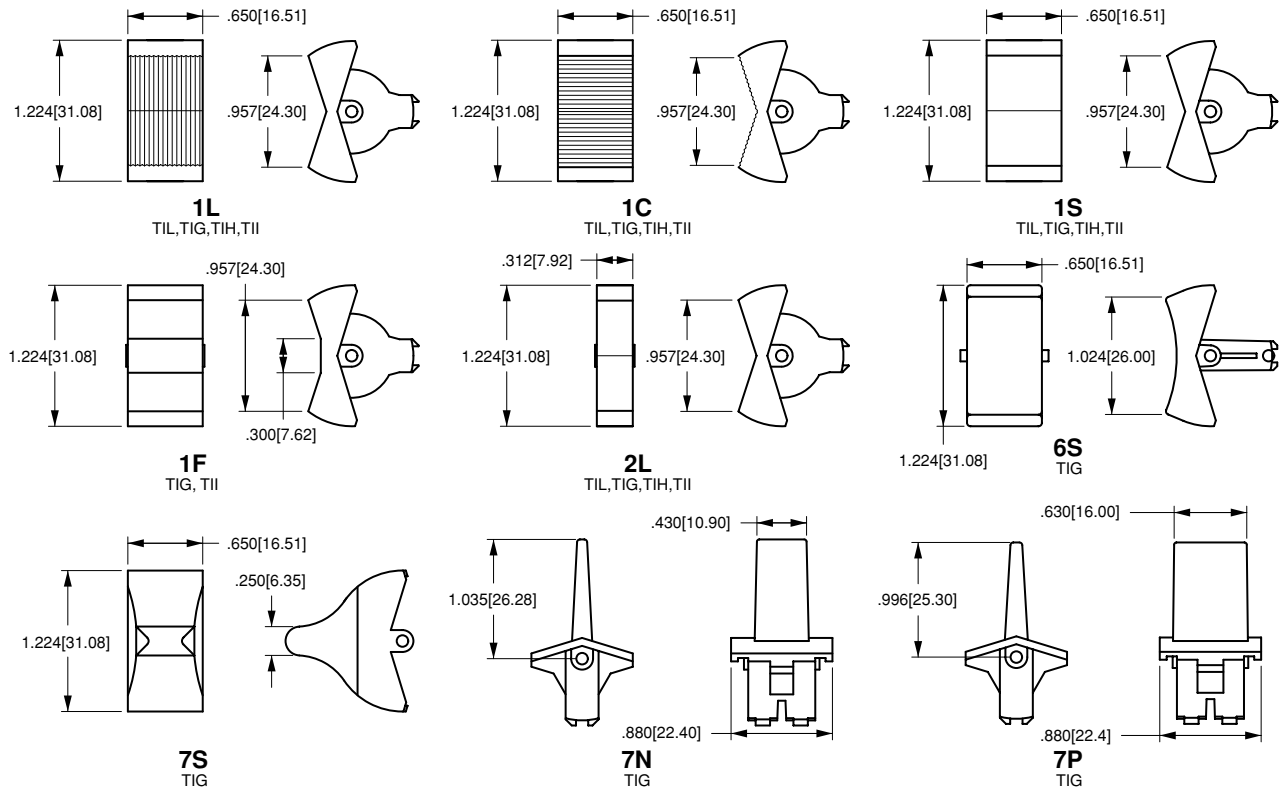


WITH .250 TAB
TERMINALS
AND FN BRACKET

1C
TII-SERIES CROSS-LINE W ONE LENS



WITH .250 TAB TERMINALS AND A BRACKET



Special Circuits for Tippette Rocker Switches

| Circuit | Position 1 | Position 2 | Position 3 |
|------------------------------------|--------------------|------------------|--------------|
| Progressive Two Circuit | | | |
| GG | BOTH CIRCUITS ON | ONE CIRCUIT ON | OFF |
| GG | BOTH CIRCUITS (ON) | ONE CIRCUIT ON | OFF |
| Single Pole Triple Throw | | | |
| GE | ON | ON | ON |
| Two Circuit | | | |
| GH | CIRCUIT 1 ON | BOTH CIRCUITS ON | CIRCUIT 2 ON |
| GP | CIRCUIT 2 ON | CIRCUIT 1 ON | OFF |
| Reversing Double Pole Double Throw | | | |
| GO | ON | OFF | ON |
| GX | ON | NONE | ON |

() Indicates momentary function.

Dimensional Specifications: in. [mm]



TAPPED HOLE
Standard with
A & B Brackets



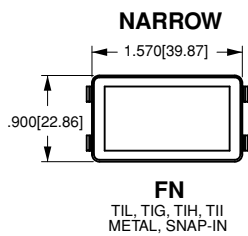
CLEARANCE HOLE
Standard with
C Bracket



MOUNTING HOLE
(Nylon Snap-in Brackets)
Panel Thickness:
.030 min. - .250 max.

* Angled corners are suggested for optimum fit. Standard rectangular cutout is acceptable.

| TIL | TIG | TII | TIH |
|--------------------------|------------------------------|------------------------------|-------------------------|
| <p>A TIL</p> | <p>A TIG</p> | <p>A TII</p> | <p>A TIH</p> |
| <p>B TIL</p> | <p>B TII, TIG</p> | | |
| <p>C* TIL</p> | <p>C TIG</p> | <p>C TIH, TII</p> | |



Компания «Океан Электроники» предлагает заключение долгосрочных отношений при поставках импортных электронных компонентов на взаимовыгодных условиях!

Наши преимущества:

- Поставка оригинальных импортных электронных компонентов напрямую с производств Америки, Европы и Азии, а так же с крупнейших складов мира;
- Широкая линейка поставок активных и пассивных импортных электронных компонентов (более 30 млн. наименований);
- Поставка сложных, дефицитных, либо снятых с производства позиций;
- Оперативные сроки поставки под заказ (от 5 рабочих дней);
- Экспресс доставка в любую точку России;
- Помощь Конструкторского Отдела и консультации квалифицированных инженеров;
- Техническая поддержка проекта, помощь в подборе аналогов, поставка прототипов;
- Поставка электронных компонентов под контролем ВП;
- Система менеджмента качества сертифицирована по Международному стандарту ISO 9001;
- При необходимости вся продукция военного и аэрокосмического назначения проходит испытания и сертификацию в лаборатории (по согласованию с заказчиком);
- Поставка специализированных компонентов военного и аэрокосмического уровня качества (Xilinx, Altera, Analog Devices, Intersil, Interpoint, Microsemi, Actel, Aeroflex, Peregrine, VPT, Syfer, Eurofarad, Texas Instruments, MS Kennedy, Miteq, Cobham, E2V, MA-COM, Hittite, Mini-Circuits, General Dynamics и др.);

Компания «Океан Электроники» является официальным дистрибьютором и эксклюзивным представителем в России одного из крупнейших производителей разъемов военного и аэрокосмического назначения «JONHON», а так же официальным дистрибьютором и эксклюзивным представителем в России производителя высокотехнологичных и надежных решений для передачи СВЧ сигналов «FORSTAR».



JONHON

«JONHON» (основан в 1970 г.)

Разъемы специального, военного и аэрокосмического назначения:

(Применяются в военной, авиационной, аэрокосмической, морской, железнодорожной, горно- и нефтедобывающей отраслях промышленности)

«FORSTAR» (основан в 1998 г.)

ВЧ соединители, коаксиальные кабели, кабельные сборки и микроволновые компоненты:

(Применяются в телекоммуникациях гражданского и специального назначения, в средствах связи, РЛС, а так же военной, авиационной и аэрокосмической отраслях промышленности).



Телефон: 8 (812) 309-75-97 (многоканальный)

Факс: 8 (812) 320-03-32

Электронная почта: ocean@oceanchips.ru

Web: <http://oceanchips.ru/>

Адрес: 198099, г. Санкт-Петербург, ул. Калинина, д. 2, корп. 4, лит. А