

FEATURES

- 1.2 V precision output
- Excellent line regulation: 2 ppm/V typical
- High power supply ripple rejection: -80 dB at 220 Hz
- Ultralow power supply current: 16 μ A maximum
- Temperature coefficient: 40 ppm/ $^{\circ}$ C maximum
- Low noise, 12.5 nV/ $\sqrt{\text{Hz}}$ typical
- Operating supply range, 2.4 V to 5.5 V
- Compact 3-lead SOT-23 and SC70 packages

APPLICATIONS

- List GSM, GPRS, 3G mobile stations
- Portable battery-operated electronics
- Low voltage converter references
- Wireless devices

GENERAL DESCRIPTION

The ADR280 is a 1.2 V band gap core reference with excellent line regulation and power supply rejection designed specifically for applications experiencing heavy dynamic supply variations, such as data converter references in GSM, GPRS, and 3G mobile station applications. Devices such as the AD6535 that have an analog baseband IC with on-board baseband, audio codecs, voltage regulators, and battery chargers rely on the ability of the ADR280 to reject input battery voltage variations during RF power amplifier activity.

In addition to mobile stations, the ADR280 is suitable for a variety of general-purpose applications. Most band gap references include internal gain for specific outputs, which simplifies the user's design, but compromises on the cost, form factor, and flexibility. The ADR280, on the other hand, optimizes the band gap core voltage and allows users to tailor the voltage, current, or transient response by simply adding their preferred op amps.

The ADR280 operates on a wide supply voltage range from 2.4 V to 5.5 V. It is available in compact 3-lead SOT-23 and SC70 packages. The device is specified over the extended industrial temperature range of -40°C to $+85^{\circ}\text{C}$.

PIN CONFIGURATIONS

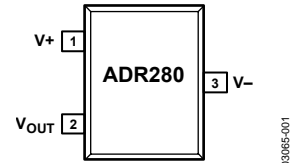


Figure 1. 3-Lead SOT-23
(RT Suffix)

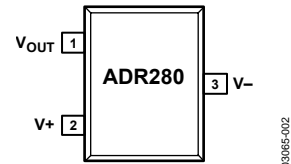


Figure 2. 3-Lead SC70
(KS Suffix)

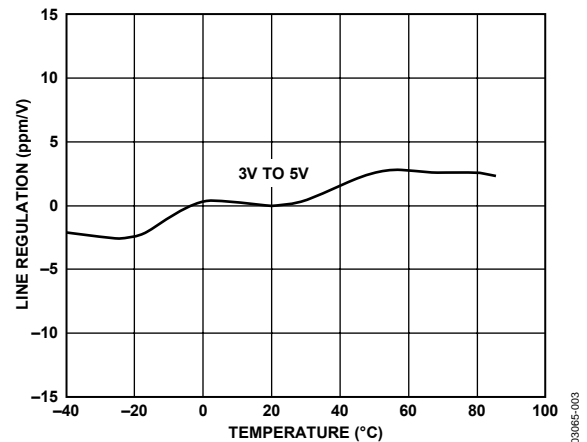


Figure 3. Line Regulation vs. Temperature

Rev. C

Information furnished by Analog Devices is believed to be accurate and reliable. However, no responsibility is assumed by Analog Devices for its use, nor for any infringements of patents or other rights of third parties that may result from its use. Specifications subject to change without notice. No license is granted by implication or otherwise under any patent or patent rights of Analog Devices. Trademarks and registered trademarks are the property of their respective owners.

TABLE OF CONTENTS

| | | | |
|----------------------------------|---|---|----|
| Features | 1 | Thermal Resistance | 4 |
| Applications..... | 1 | ESD Caution..... | 4 |
| General Description | 1 | Typical Performance Characteristics | 5 |
| Pin Configurations | 1 | Theory of Operation | 7 |
| Revision History | 2 | Applications Information | 8 |
| Specifications..... | 3 | Low Cost, Low Power Current Source | 8 |
| Electrical Characteristics | 3 | Outline Dimensions | 10 |
| Absolute Maximum Ratings..... | 4 | Ordering Guide | 11 |

REVISION HISTORY

4/07—Rev. B to Rev. C

| | |
|--|-----------|
| Updated Format | Universal |
| Changes to Figure 1, Figure 2..... | 1 |
| Deleted Pin Function Descriptions Section and Pin Configurations Section | 2 |
| Changes to Figure 20 and Figure 21 | 9 |
| Updated Outline Dimensions | 10 |

10/04—Rev. A to Rev. B

| | |
|------------------------------------|-----------|
| Changes to Pin Configurations..... | Universal |
| Changes to Ordering Guide | 2 |
| Changes to Outline Dimensions..... | 7 |

6/03—Rev. 0 to Rev. A

| | |
|---|-----------|
| Added SC70 package..... | Universal |
| Changes to Features | 1 |
| Changes to General Description | 1 |
| Changes to Specifications..... | 2 |
| Changes to Ordering Guide | 2 |
| Changes to TPCs 4, 6, and 7 | 3 |
| Updated SOT-23 Outline Dimensions | 7 |

11/02—Revision 0: Initial Version

SPECIFICATIONS

ELECTRICAL CHARACTERISTICS

$V_{IN} = 2.55 \text{ V}$ to 5.5 V , $T_A = 25^\circ\text{C}$, unless otherwise noted.

Table 1.

| Parameter | Symbol | Conditions | Min | Typ ¹ | Max | Unit |
|--|--------------------------------|---|-------|------------------|-------|------------------------------|
| Output Voltage | V_{OUT} | $2.4 \text{ V} < V_{IN} < 5.5 \text{ V}$, $0 \mu\text{A} < I_{OUT} < 10 \mu\text{A}$, $-40^\circ\text{C} < T_A < +85^\circ\text{C}$ | 1.195 | 1.200 | 1.205 | V |
| Temperature Coefficient | TCV_O | $0^\circ\text{C} < T_A < 50^\circ\text{C}$ | | 5 | 20 | ppm/ $^\circ\text{C}$ |
| | | $-40^\circ\text{C} < T_A < +85^\circ\text{C}$ | | 10 | 40 | ppm/ $^\circ\text{C}$ |
| Line Regulation | $\Delta V_{OUT}/\Delta V_{IN}$ | $2.55 \text{ V} < V_{IN} < 5.5 \text{ V}$, no load | | 2 | 12 | ppm/V |
| Supply Current | I_{IN} | $2.4 \text{ V} < V_{IN} < 5.5 \text{ V}$, no load | | 10 | 16 | μA |
| Ground Current | I_{GND} | V- grounded, $I_{LOAD} = 10 \mu\text{A}$ | | 12 | 20 | μA |
| Input Voltage Range | V_{IN} | | 2.4 | | 5.5 | V |
| Operating Temperature Range | T_A | | -40 | | +85 | $^\circ\text{C}$ |
| Nominal Load Capacitance | C_{OUT} | | 1 | | | μF |
| Output Noise Voltage | $V_N \text{ rms}$ | $f = 10 \text{ Hz}$ to 10 kHz | | 12.5 | | $\mu\text{V rms}$ |
| Voltage Noise Density | e_N | $f = 400 \text{ kHz}$ | | 12.5 | | $\text{nV}/\sqrt{\text{Hz}}$ |
| Power Supply Ripple Rejection ² | PSRR | $I_{LOAD} = 10 \mu\text{A}$ | | -80 | | dB |
| Start-Up Time | t_{ON} | | | 2 | | ms |

¹ Typical values represent average readings taken at room temperature.

² Power supply ripple rejection measurement applies to a changing input voltage (V_{IN}) waveform with a nominal 3.6 V baseline that drops to a 3 V value for 380 μs at a 4.6 ms repetition rate.

ADR280

ABSOLUTE MAXIMUM RATINGS

$T_A = 25^\circ\text{C}$, unless otherwise noted.

Table 2.

| Parameter | Rating |
|--|---|
| Supply Voltage | 6 V |
| Storage Temperature Range | -65°C to $+150^\circ\text{C}$ |
| Operating Temperature Range | -40°C to $+85^\circ\text{C}$ |
| Junction Temperature Range | -65°C to $+150^\circ\text{C}$ |
| Lead Temperature Range (Soldering, 60 Sec) | 300°C |

Stresses above those listed under Absolute Maximum Ratings may cause permanent damage to the device. This is a stress rating only; functional operation of the device at these or any other conditions above those indicated in the operational section of this specification is not implied. Exposure to absolute maximum rating conditions for extended periods may affect device reliability.

THERMAL RESISTANCE

θ_{JA} is specified for the worst-case conditions, that is, θ_{JA} is specified for a device soldered in circuit board for surface-mount packages.

Table 3.

| Package Type | θ_{JA} | θ_{JC} | Unit |
|--------------|---------------|---------------|---------------------------|
| SOT-23 | 230 | 146 | $^\circ\text{C}/\text{W}$ |
| SC70 | 376 | 102 | $^\circ\text{C}/\text{W}$ |

ESD CAUTION



ESD (electrostatic discharge) sensitive device. Charged devices and circuit boards can discharge without detection. Although this product features patented or proprietary protection circuitry, damage may occur on devices subjected to high energy ESD. Therefore, proper ESD precautions should be taken to avoid performance degradation or loss of functionality.

TYPICAL PERFORMANCE CHARACTERISTICS

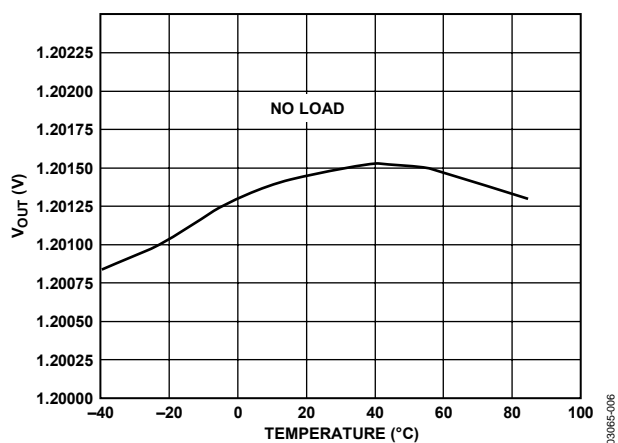


Figure 4. V_{OUT} vs. Temperature

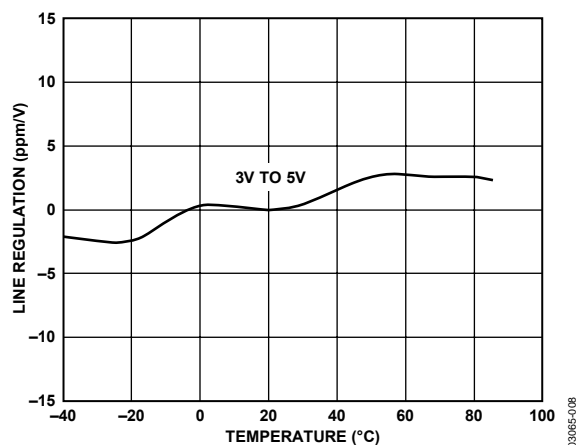


Figure 6. Line Regulation vs. Temperature

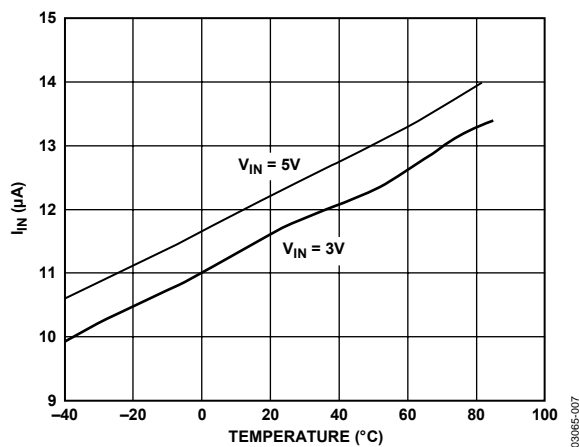


Figure 5. Supply Current vs. Temperature

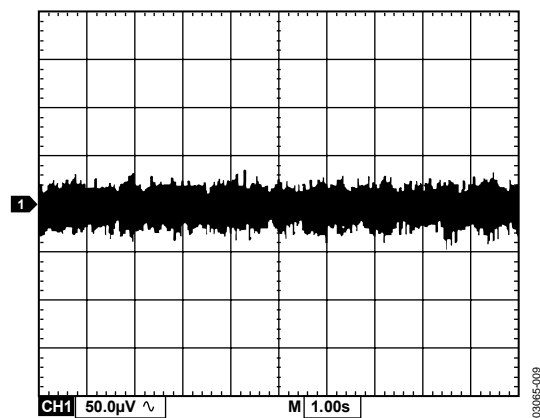


Figure 7. Noise Voltage Peak-to-Peak, 10 Hz to 10 kHz

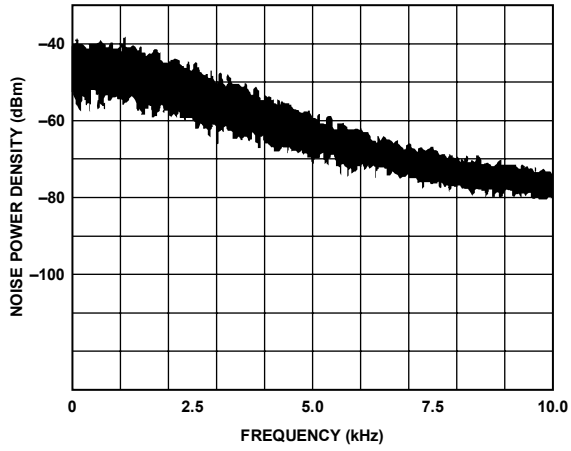


Figure 8. Output Noise Density Plot ($V_+ = 3.6\text{ V}$, $C_{OUT} = 1\ \mu\text{F}$, $C_{IN} = 1\ \mu\text{F}$)

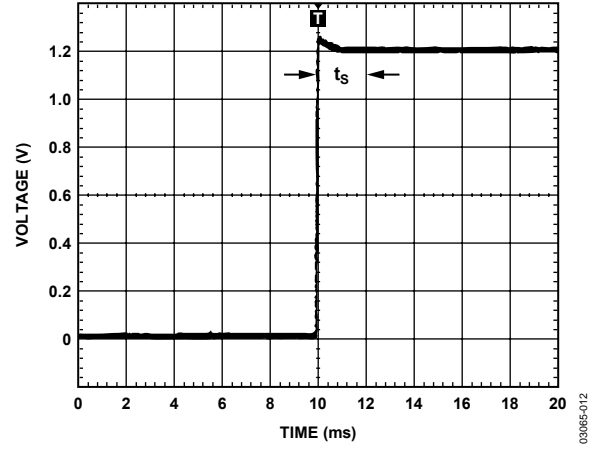


Figure 10. Settling Time

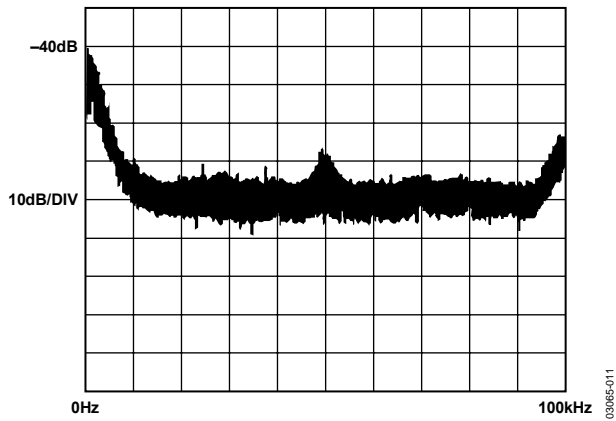


Figure 9. Voltage Noise Density, 0 Hz to 100 kHz

THEORY OF OPERATION

The ADR280 provides the basic core 1.2 V band gap reference. It contains two NPN transistors, Q9 and Q17, with their emitter areas scaled in a fixed ratio. The difference in the V_{BE} produces a proportional to absolute temperature (PTAT) voltage that cancels the complementary to absolute temperature (CTAT) Q9 V_{BE} voltage. As a result, a core band gap voltage that is almost a constant 1.2 V over temperature is generated (see Figure 11). Precision laser trimming of the internal resistors and other proprietary circuit techniques are used to enhance the initial accuracy, temperature curvature, and temperature drift performance.

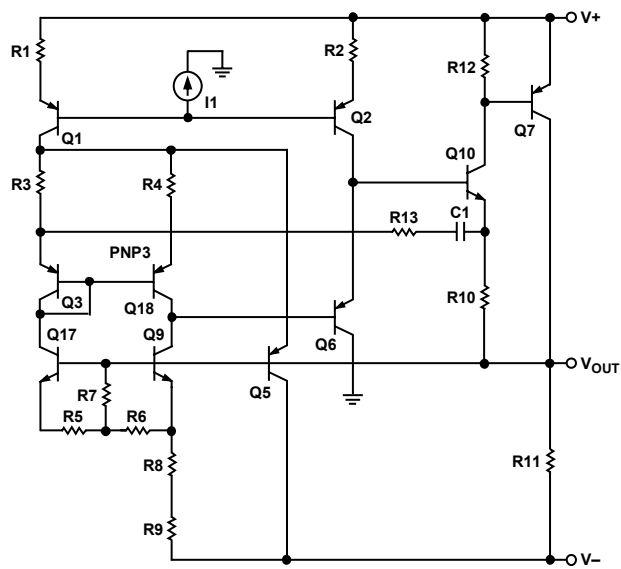


Figure 11. Simplified Architecture

0306E-013

ADR280

APPLICATIONS INFORMATION

The ADR280 should be decoupled with a 0.1 μF ceramic capacitor at the output for optimum stability. It is also good practice to include 0.1 μF ceramic capacitors at the IC supply pin. These capacitors should be mounted close to their respective pins (see Figure 12).

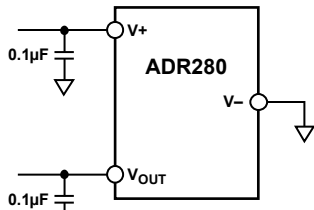


Figure 12. Basic Configuration

The low supply voltage input pin V- can be elevated above ground; a 1.2 V differential voltage can therefore be established above V- (see Figure 13).

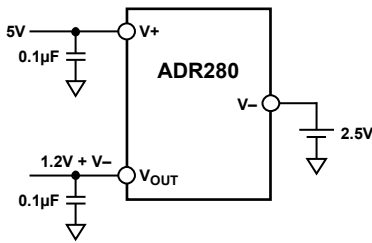


Figure 13. Floating References

The ADR280 provides the core 1.2 V band gap voltage and is able to drive a maximum load of only 100 μA . Users can simply buffer the output for high current or sink/source current applications, such as ADC or LCD driver references (see Figure 14).

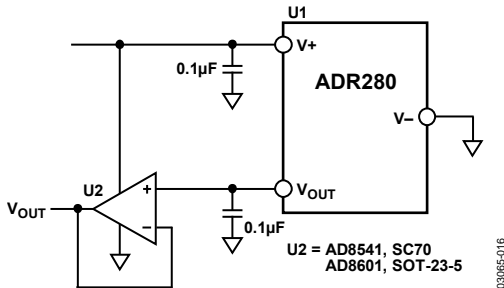


Figure 14. Buffered Output

Users can also tailor any specific need for voltage and dynamics with an external op amp and discrete components (see Figure 14 and Figure 15). Depending on the specific op amp and PCB layout, it may be necessary to add a compensation capacitor, C2, to prevent gain peaking and oscillation. The exact value of C2 needed requires some trial and error but usually falls in the range of a few picofarads.

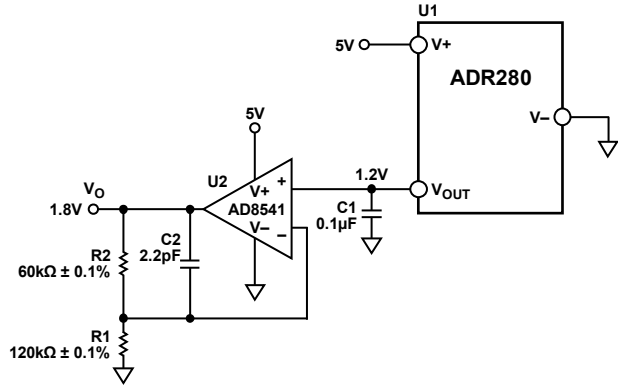


Figure 15. 1.8 V Reference

LOW COST, LOW POWER CURRENT SOURCE

Because of its low power characteristics, the ADR280 can be converted to a current source with just a setting resistor. In addition to the ADR280 current capability, the supply voltage and the load limit the maximum current. The circuit in Figure 16 produces 100 μA with 2 V compliance at a 5 V supply. The load current is the sum of I_{SET} and I_{GND} . I_{GND} increases slightly with load; a R_{SET} of 13.6 k Ω yields 100 μA of load current.

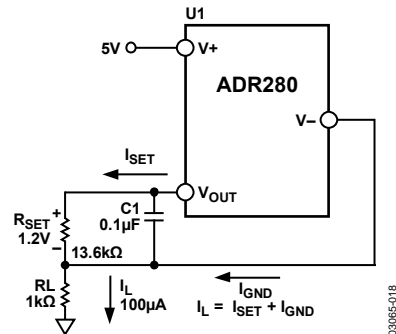


Figure 16. Low Cost Current Source

Precision Low Power Current Source

By adding a buffer to redirect the I_{GND} in Figure 17, a current can be precisely set by R_{SET} with the equation $I_L = 1.2 \text{ V}/R_{\text{SET}}$.

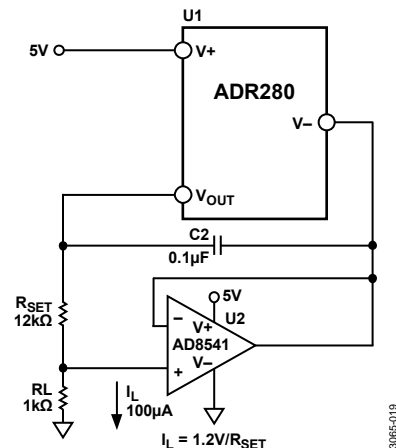


Figure 17. Precision Low Power Current Source

Boosted Current Source

Adding one more buffer to the previous circuit boosts the current to the level that is limited only by the buffer U2 current handling capability (see Figure 18).

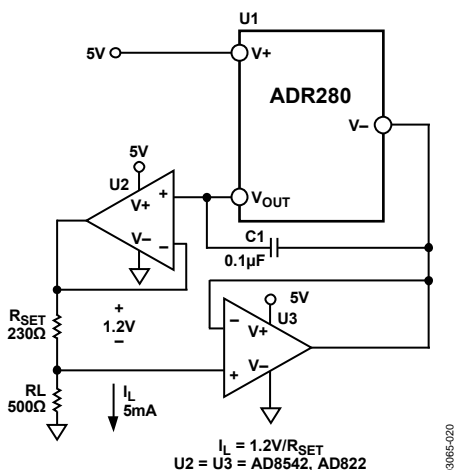


Figure 18. Precision Current Source

Negative Reference

A negative reference can be precisely configured without using any expensive tight tolerance resistors, as shown in Figure 19. The voltage difference between V_{OUT} and V₋ is 1.2 V. Since V_{OUT} is at virtual ground, U2 closes the loop by forcing the V₋ pin to be the negative reference output.

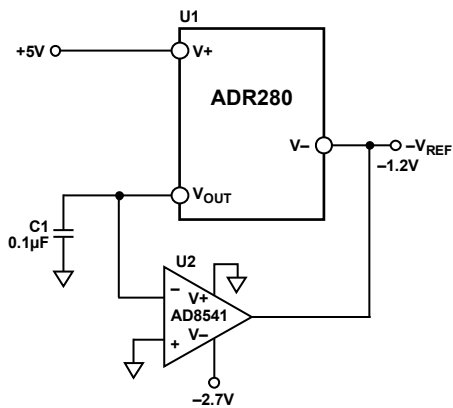


Figure 19. Negative Reference

Boosted Reference with Scalable Output

A precision user defined output with boosted current capability can be implemented with the circuit shown in Figure 20. In this circuit, U2 forces V_O to be equal to V_{REF} × (1 + R₂/R₁) by regulating the turn-on of M1; the load current is therefore furnished by the 5 V supply. For higher output voltage, U2 must be changed and the supply voltage of M1 and U2 must also be elevated and separated from the U1 input voltage. In this configuration, a

100 mA load is achievable at a 5 V supply. The higher the supply voltage, the lower the current handling is because of the heat generated on the MOSFET. For heavy capacitive loads, additional buffering is needed at the output to enhance the transient response.

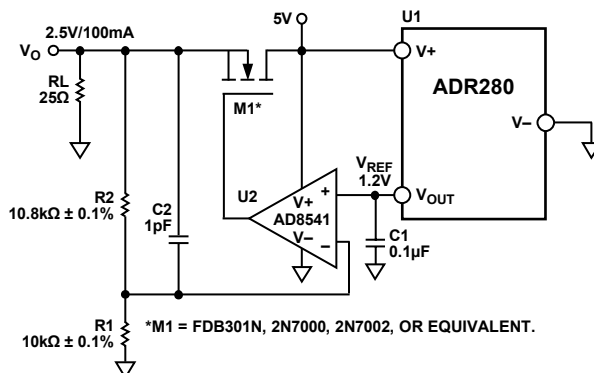


Figure 20. 2.5 V Boosted Reference

GSM and 3G Mobile Station Applications

The ADR280 voltage reference is ideal for use with analog baseband ICs in GSM and 3G mobile station applications. Figure 21 illustrates the use of the ADR280 with the AD6535 GSM analog baseband. The AD6535 provides all of the data converters and power management functions needed to implement a GSM mobile station, including baseband codecs, audio codecs, voltage regulators, and a battery charger. Besides low current consumption and a small footprint, the ADR280 is optimized for excellent PSRR, which is necessary for optimum AD6535 device performance when the main battery voltage fluctuates during RF power amplifier activity.

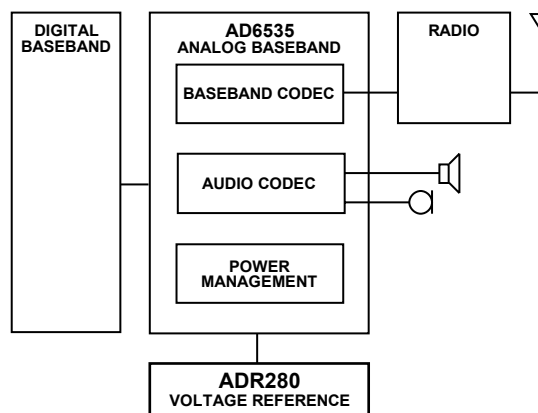
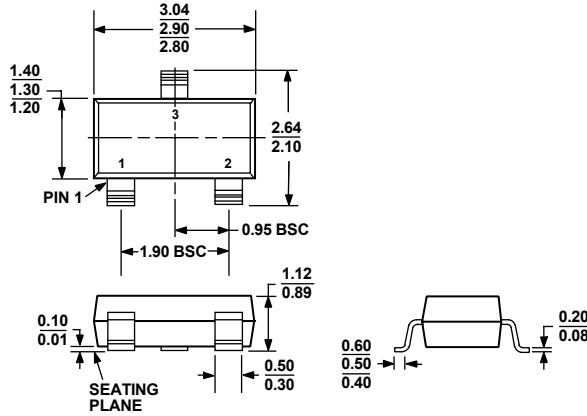


Figure 21. GSM Mobile Station Application

OUTLINE DIMENSIONS



COMPLIANT TO JEDEC STANDARDS TO-236-AB

Figure 22. 3-Lead Small Outline Transistor Package [SOT-23-3] (RT-3)

Dimensions shown in millimeters

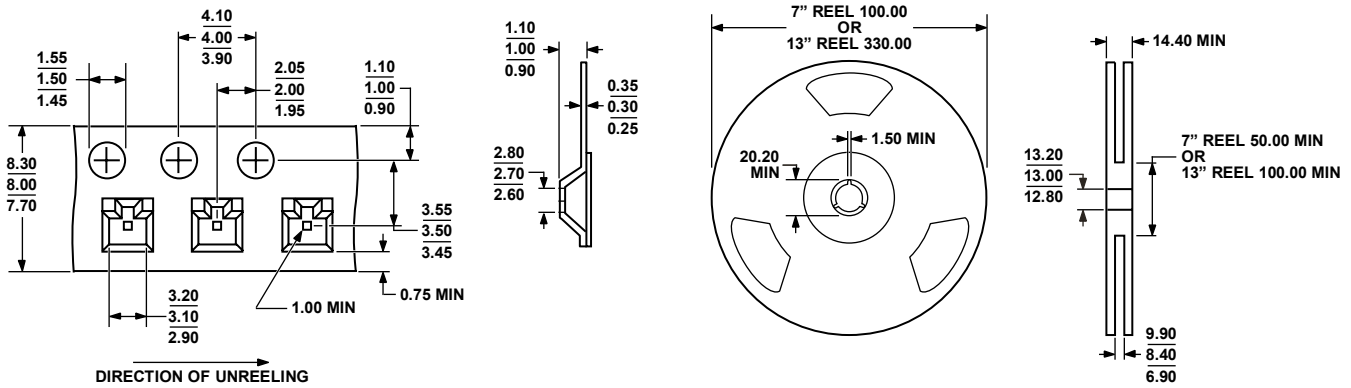
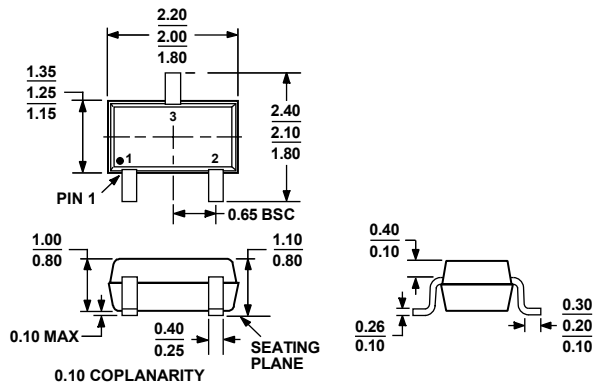


Figure 23. Tape and Reel Dimensions (RT-3)

Dimensions shown in millimeters



ALL DIMENSIONS COMPLIANT WITH EIAJ SC70

Figure 24. 3-Lead Thin Shrink Small Outline Transistor Package [SC70] (KS-3)

Dimensions shown in millimeters

ORDERING GUIDE

| Model | Temperature Range | Package Description | Package Option | Branding | Output Voltage (V) | Ordering Quantity |
|-------------------------------|--------------------------|----------------------------|-----------------------|-----------------|---------------------------|--------------------------|
| ADR280AKS-R2 | -40°C to +85°C | 3-Lead SC70 | KS-3 | RBA | 1.200 | 250 |
| ADR280AKS-REEL | -40°C to +85°C | 3-Lead SC70 | KS-3 | RBA | 1.200 | 10,000 |
| ADR280AKS-REEL7 | -40°C to +85°C | 3-Lead SC70 | KS-3 | RBA | 1.200 | 3,000 |
| ADR280AKSZ-R2 ¹ | -40°C to +85°C | 3-Lead SC70 | KS-3 | L25 | 1.200 | 250 |
| ADR280AKSZ-REEL7 ¹ | -40°C to +85°C | 3-Lead SC70 | KS-3 | L25 | 1.200 | 3,000 |
| ADR280ART-R2 | -40°C to +85°C | 3-Lead SOT-23 | RT-3 | RBA | 1.200 | 250 |
| ADR280ART-REEL | -40°C to +85°C | 3-Lead SOT-23 | RT-3 | RBA | 1.200 | 10,000 |
| ADR280ART-REEL7 | -40°C to +85°C | 3-Lead SOT-23 | RT-3 | RBA | 1.200 | 3,000 |
| ADR280ARTZ-R2 ¹ | -40°C to +85°C | 3-Lead SOT-23 | RT-3 | L25 | 1.200 | 250 |
| ADR280ARTZ-REEL7 ¹ | -40°C to +85°C | 3-Lead SOT-23 | RT-3 | L25 | 1.200 | 3,000 |

¹ Z = RoHS Compliant Part.

ADR280

NOTES

Компания «Океан Электроники» предлагает заключение долгосрочных отношений при поставках импортных электронных компонентов на взаимовыгодных условиях!

Наши преимущества:

- Поставка оригинальных импортных электронных компонентов напрямую с производств Америки, Европы и Азии, а так же с крупнейших складов мира;
- Широкая линейка поставок активных и пассивных импортных электронных компонентов (более 30 млн. наименований);
- Поставка сложных, дефицитных, либо снятых с производства позиций;
- Оперативные сроки поставки под заказ (от 5 рабочих дней);
- Экспресс доставка в любую точку России;
- Помощь Конструкторского Отдела и консультации квалифицированных инженеров;
- Техническая поддержка проекта, помощь в подборе аналогов, поставка прототипов;
- Поставка электронных компонентов под контролем ВП;
- Система менеджмента качества сертифицирована по Международному стандарту ISO 9001;
- При необходимости вся продукция военного и аэрокосмического назначения проходит испытания и сертификацию в лаборатории (по согласованию с заказчиком);
- Поставка специализированных компонентов военного и аэрокосмического уровня качества (Xilinx, Altera, Analog Devices, Intersil, Interpoint, Microsemi, Actel, Aeroflex, Peregrine, VPT, Syfer, Eurofarad, Texas Instruments, MS Kennedy, Miteq, Cobham, E2V, MA-COM, Hittite, Mini-Circuits, General Dynamics и др.);

Компания «Океан Электроники» является официальным дистрибьютором и эксклюзивным представителем в России одного из крупнейших производителей разъемов военного и аэрокосмического назначения «JONHON», а так же официальным дистрибьютором и эксклюзивным представителем в России производителя высокотехнологичных и надежных решений для передачи СВЧ сигналов «FORSTAR».



JONHON

«JONHON» (основан в 1970 г.)

Разъемы специального, военного и аэрокосмического назначения:

(Применяются в военной, авиационной, аэрокосмической, морской, железнодорожной, горно- и нефтедобывающей отраслях промышленности)

«FORSTAR» (основан в 1998 г.)

ВЧ соединители, коаксиальные кабели,
кабельные сборки и микроволновые компоненты:

(Применяются в телекоммуникациях гражданского и специального назначения, в средствах связи, РЛС, а так же военной, авиационной и аэрокосмической отраслях промышленности).



Телефон: 8 (812) 309-75-97 (многоканальный)

Факс: 8 (812) 320-03-32

Электронная почта: ocean@oceanchips.ru

Web: <http://oceanchips.ru/>

Адрес: 198099, г. Санкт-Петербург, ул. Калинина, д. 2, корп. 4, лит. А