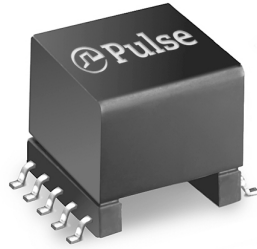


High Frequency Wire Wound Transformers

EP13 Platforms - SMT



- Power Range:** up to 60W
- Height:** 12.7mm Max
- Footprint:** 17.7mm x 14.0mm Max
- Topology:** Forward and Flyback

| Electrical Specifications @ 25°C - Operating Temperature -40°C to +130°C | | | |
|---|-----------------|----------------------------------|--------------|
| PA1136NL | Pri. Inductance | (3-4) | 126.7μH ±10% |
| | Lk. Inductance | (3-4) with (10, 9, 8, 7) shorted | 7.5μH MAX |
| | DCR | (3-4) | 440mΩ MAX |
| | | (8, 7-10, 9) | 6mΩ MAX |
| | | (2-1) | 88mΩ MAX |
| | Hi-Pot | Pri-Sec | 1500Vrms |
| K1 Factor | 1353.6 | | |
| <p>FLYBACK TRANSFORMER</p> | | | |
| PA1137NL | Pri. Inductance | (3-4) | 126μH ±10% |
| | Lk. Inductance | (3-4) with (10, 9, 8, 7) shorted | 7.5μH MAX |
| | DCR | (3-4) | 460mΩ MAX |
| | | (8, 7-10, 9) | 12mΩ MAX |
| | | (2-1) | 94mΩ MAX |
| | Hi-Pot | Pri-Sec | 1500Vrms |
| K1 Factor | 1353.6 | | |
| <p>FLYBACK TRANSFORMER</p> | | | |
| PA1138NL | Pri. Inductance | (3-4) | 126.7μH ±10% |
| | Lk. Inductance | (3-4) with (10, 9, 8, 7) shorted | 7.5μH MAX |
| | DCR | (3-4) | 460mΩ MAX |
| | | (8, 7-10, 9) | 55mΩ MAX |
| | | (2-1) | 94mΩ MAX |
| | Hi-Pot | Pri-Sec | 1500Vrms |
| K1 Factor | 1353.6 | | |
| <p>FLYBACK TRANSFORMER</p> | | | |
| PA1218NL | Pri. Inductance | (3-4) | 480μH ±10% |
| | Lk. Inductance | (3-4) with (10, 8, 7, 6) shorted | 10μH MAX |
| | DCR | (3-4) | 570mΩ MAX |
| | | (8-10) | 15mΩ MAX |
| | | (6-7) | 40mΩ MAX |
| | | (2-1) | 325mΩ MAX |
| | Hi-Pot | Pri-Sec | 1500Vdc |
| K1 Factor | 5128.2 | | |
| <p>FLYBACK TRANSFORMER</p> <p>Output power is limited to 6W maximum total</p> | | | |

High Frequency Wire Wound Transformers

EP13 Platforms - SMT

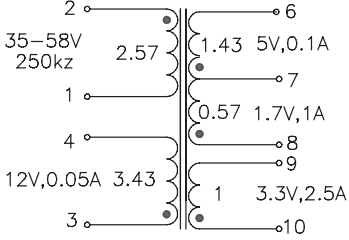
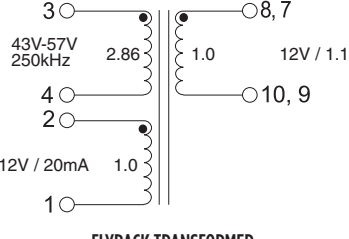
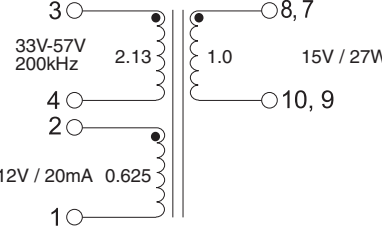
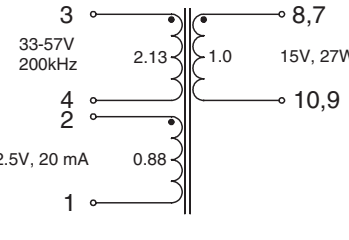


| Electrical Specifications @ 25°C - Operating Temperature -40°C to +130°C ¹ | | | | |
|---|-----------------|----------------------------------|--------------|----------------------------|
| PA1260NL | Pri. Inductance | (3-4) | 77.4μH ±10% | <p>FLYBACK TRANSFORMER</p> |
| | Lk. Inductance | (3-4) with (10, 9, 8, 7) shorted | 0.8μH MAX | |
| | DCR | (3-4) | 220mΩ MAX | |
| | | (8, 7-10, 9) | 18mΩ MAX | |
| | | (2-1) | 250mΩ MAX | |
| | Hi-Pot | Pri-Sec | 1500Vrms | |
| | K1 Factor | 1804.2 | | |
| PA1267NL | Pri. Inductance | (4-1) | 155.5μH ±10% | <p>FLYBACK TRANSFORMER</p> |
| | Lk. Inductance | (4-1) with (10, 9, 8, 7) shorted | 5μH MAX | |
| | DCR | (4-1) | 330mΩ MAX | |
| | | (7, 8-9, 10) | 11mΩ MAX | |
| | | (5-2) | 650mΩ MAX | |
| | Hi-Pot | Pri-Sec | 1500Vrms | |
| | K1 Factor | 2215.1 | | |
| PA1269NL | Pri. Inductance | (3-4) | 77.4μH ±10% | <p>FLYBACK TRANSFORMER</p> |
| | Lk. Inductance | (3-4) with (10, 9, 8, 7) shorted | 0.8μH MAX | |
| | DCR | (3-4) | 100mΩ MAX | |
| | | (8, 7-10, 9) | 6.5mΩ MAX | |
| | | (2-1) | 270mΩ MAX | |
| | Hi-Pot | Pri-Sec | 1500Vrms | |
| | K1 Factor | 1804.2 | | |
| PA1276NL | Pri. Inductance | (3-4) | 77.4μH ±10% | <p>FLYBACK TRANSFORMER</p> |
| | Lk. Inductance | (3-4) with (10, 9, 8, 7) shorted | 0.8μH MAX | |
| | DCR | (3-4) | 100mΩ MAX | |
| | | (8, 7-10, 9) | 6.5mΩ MAX | |
| | | (2-1) | 270mΩ MAX | |
| | Hi-Pot | Pri-Sec | 1500Vdc | |
| | K1 Factor | 1804.2 | | |
| PA1309NL | Pri. Inductance | (3-4) | 16.4μH ±10% | <p>FLYBACK TRANSFORMER</p> |
| | Lk. Inductance | (3-4) with (10, 9, 8, 7) shorted | 0.7μH MAX | |
| | DCR | (3-4) | 38mΩ MAX | |
| | | (8, 7-10, 9) | 10mΩ MAX | |
| | | (2-1) | 200mΩ MAX | |
| | Hi-Pot | Pri-Sec | 1500Vrms | |
| | K1 Factor | 599.0 | | |

High Frequency Wire Wound Transformers

EP13 Platforms - SMT

Electrical Specifications @ 25°C - Operating Temperature -40°C to +130°C¹

| Model | Parameter | Winding | Value | Diagram |
|-----------|-----------------|--|-------------|---|
| PA1367NL | Pri. Inductance | (3, 4-2, 1) | 66.1μH ±10% |  <p>FORWARD TRANSFORMER</p> |
| | Lk. Inductance | (3, 4-2, 1) with (10, 9, 8, 7) shorted | 1.0μH MAX | |
| | DCR | (3, 4-2,1) | 82mΩ MAX | |
| | | (7, 9) | 12mΩ MAX | |
| | | (8-10) | 97mΩ MAX | |
| | Hi-Pot | Pri-Sec | 1500Vrms | |
| | K1 Factor | 57.0 | | |
| PA1460NL | Pri. Inductance | (3, 4) | 40μH ±10% |  <p>FLYBACK TRANSFORMER</p> |
| | Lk. Inductance | (3, 4) with (10, 9, 8, 7) shorted | 2.5μH MAX | |
| | DCR | (3, 4) | 95mΩ MAX | |
| | | (8, 7-10, 9) | 28mΩ MAX | |
| | | (2-1) | 66mΩ MAX | |
| | Hi-Pot | Pri-Sec | 1650Vrms | |
| | K1 Factor | 1025.6 | | |
| PA1528NL | Pri. Inductance | (3, 4) | 28.9μH ±10% |  <p>FLYBACK TRANSFORMER</p> |
| | Lk. Inductance | (3, 4) with (10, 9, 8, 7) shorted | 1μH MAX | |
| | DCR | (3, 4) | 58mΩ MAX | |
| | | (8, 7-10, 9) | 27mΩ MAX | |
| | | (2-1) | 55mΩ MAX | |
| | Hi-Pot | Pri-Sec | 1500Vrms | |
| | K1 Factor | 871.8 | | |
| PA1528ANL | Pri. Inductance | (3, 4) | 28.9μH ±10% |  <p>FLYBACK TRANSFORMER</p> |
| | Lk. Inductance | (3,4) with (10, 9, 8, 7) shorted | 1μH MAX | |
| | DCR | (3, 4) | 58mΩ MAX | |
| | | (8, 7-10, 9) | 27mΩ MAX | |
| | | (2-1) | 77mΩ MAX | |
| | Hi-Pot | Pri-Sec | 1500Vdc | |
| | K1 Factor | 871.8 | | |

High Frequency Wire Wound Transformers

EP13 Platforms - SMT



| Electrical Specifications @ 25°C - Operating Temperature -40°C to +130°C | | | | |
|--|-----------------|-----------------------------------|--------------|----------------------------|
| PA1576NL | Pri. Inductance | (3, 4) | 230.4μH ±30% | <p>FORWARD TRANSFORMER</p> |
| | Lk. Inductance | (3, 4) with (10, 9, 8, 7) shorted | 1.5μH MAX | |
| | DCR | (3, 4) | 36mΩ MAX | |
| | | (8, 7-10, 9) | 3.5mΩ MAX | |
| | | (2-1) | 58mΩ MAX | |
| | Hi-Pot | Pri-Sec | 1500Vrms | |
| | KI Factor | 42.7 | | |
| PA1577NL | Pri. Inductance | (3-4) | 230.4μH ±60% | <p>FORWARD TRANSFORMER</p> |
| | Lk. Inductance | (3-4) with (10, 9, 8, 7) shorted | 1.5μH MAX | |
| | DCR | (3, 4) | 36mΩ MAX | |
| | | (7-9)=(8-10) | 54mΩ MAX | |
| | | (2-1) | 55mΩ MAX | |
| | Hi-Pot | Pri-Sec | 1500Vrms | |
| | KI Factor | 42.7 | | |
| PA1769NL | Pri. Inductance | (3, 4) | 6.7μH ±7% | <p>FLYBACK TRANSFORMER</p> |
| | Lk. Inductance | (3, 4) with (10, 9, 8, 7) shorted | 0.65μH MAX | |
| | DCR | (3, 4) | 25mΩ MAX | |
| | | (8, 7-10, 9) | 6.5mΩ MAX | |
| | | (2-1) | 115mΩ MAX | |
| | Hi-Pot | Pri-Sec | 1500Vrms | |
| | KI Factor | 381.8 | | |
| PA1861NL | Pri. Inductance | (1, 4) | 115.5μH ±7% | <p>FLYBACK TRANSFORMER</p> |
| | Lk. Inductance | (1, 4) with (10, 9, 8, 7) shorted | 0.65μH MAX | |
| | DCR | (1, 4) | 330mΩ MAX | |
| | | (7, 8-9, 10) | 11mΩ MAX | |
| | | (5-2) | 460mΩ MAX | |
| | Hi-Pot | Pri-Sec | 1500Vrms | |
| | KI Factor | 1645.3 | | |
| PA2070NL | Pri. Inductance | (5-4) | 164μH ±10% | <p>FLYBACK TRANSFORMER</p> |
| | Lk. Inductance | (5-4) with (10, 9, 8, 7) shorted | 3μH MAX | |
| | DCR | (5-4) | 292mΩ MAX | |
| | | (7, 8-9, 10) | 8.5mΩ MAX | |
| | | (2-1) | 60mΩ MAX | |
| | Hi-Pot | Pri-Sec | 1500Vdc | |
| | KI Factor | 2628.2 | | |

High Frequency Wire Wound Transformers

EP13 Platforms - SMT



| Electrical Specifications @ 25°C - Operating Temperature -40°C to +130°C ¹ | | | | |
|---|-----------------|--|--------------|----------------------------|
| PA2086NL | Pri. Inductance | (2-3) | 164μH ±10% | <p>FLYBACK TRANSFORMER</p> |
| | Lk. Inductance | (2-3) with (10, 9, 8, 7) shorted | 3μH MAX | |
| | DCR | (2-3) | 292mΩ MAX | |
| | | (5-4) | 64mΩ MAX | |
| | | (9-10) | 17mΩ MAX | |
| | | (7-8) | 100mΩ MAX | |
| | Hi-Pot | Pri-Sec | 1500Vrms | |
| KI Factor | 2628.2 | | | |
| PA2114NL | Pri. Inductance | (2-3) | 164μH ±10% | <p>FLYBACK TRANSFORMER</p> |
| | Lk. Inductance | (2-3) with (10, 9, 8, 7) shorted | 3μH MAX | |
| | DCR | (2-3) | 300mΩ MAX | |
| | | (5-4) | 64mΩ MAX | |
| | | (9-1) | 30mΩ MAX | |
| | | (7-8) | 165mΩ MAX | |
| | Hi-Pot | Pri-Sec | 1500Vrms | |
| KI Factor | 2628.2 | | | |
| PA2194NL | Pri. Inductance | (1-2) | 617.4μH ±28% | <p>FORWARD TRANSFORMER</p> |
| | Lk. Inductance | (1-2) with (10, 9, 7, 6, 5, 4) shorted | 2μH MAX | |
| | DCR | (1-2) | 80mΩ MAX | |
| | | (9, 10-6, 7) | 30mΩ MAX | |
| | | (4-5) | 4mΩ MAX | |
| | Hi-Pot | Pri-Sec | 1500Vrms | |
| KI Factor | 24.4 | | | |
| PA2204NL | Pri. Inductance | (2, 3-4, 5) | 5μH ±10% | <p>FLYBACK TRANSFORMER</p> |
| | Lk. Inductance | (2, 3-4, 5) with (10, 9, 8, 7) shorted | 0.25μH MAX | |
| | DCR | (2, 3-4, 5) | 20mΩ MAX | |
| | | (8, 7-10, 9) | 10.3mΩ MAX | |
| | Hi-Pot | Pri-Sec | 1500Vrms | |
| KI Factor | 2628.2 | | | |
| PA2221NL | Pri. Inductance | (5-4) | 152μH ±10% | <p>FLYBACK TRANSFORMER</p> |
| | Lk. Inductance | (5-4) with (10, 9, 8, 7) shorted | 4μH MAX | |
| | DCR | (5-4) | 280mΩ MAX | |
| | | (7, 8-9, 10) | 5.2mΩ MAX | |
| | | (2-1) | 67mΩ MAX | |
| | Hi-Pot | Pri-Sec | 1500Vdc | |
| KI Factor | 2435.9 | | | |

¹ Please note this part has an alternate pin-out. Please see note 5 and refer to alternate mechanical drawing.

High Frequency Wire Wound Transformers

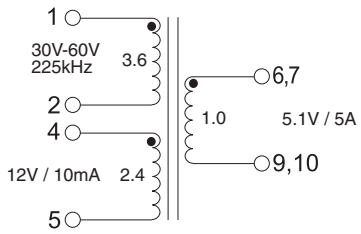
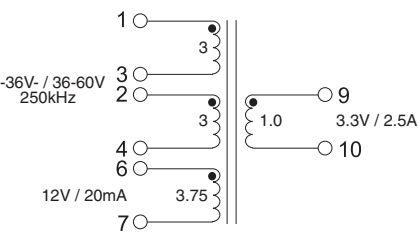
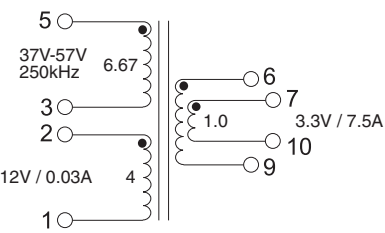
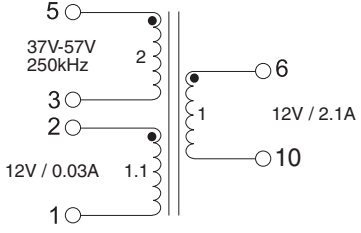
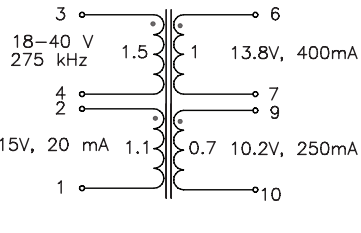
EP13 Platforms - SMT



| Electrical Specifications @ 25°C - Operating Temperature -40°C to +130°C | | | | |
|--|-----------------|--|-------------|----------------------------|
| PA2271NL | Pri. Inductance | (3-4) | 10μH ±10% | <p>FLYBACK TRANSFORMER</p> |
| | Lk. Inductance | (3-4) with (10, 9, 8, 7) shorted | 1μH MAX | |
| | DCR | (3-4) | 23mΩ MAX | |
| | | (8, 7-10, 9) | 6.7mΩ MAX | |
| | | (2-1) | 54mΩ MAX | |
| | Hi-Pot | Pri-Sec | 1500Vdc | |
| KI Factor | 512.8 | | | |
| PA2328NL | Pri. Inductance | (1-2) | 100μH ±10% | <p>FORWARD TRANSFORMER</p> |
| | Lk. Inductance | (1-2) with (10, 9, 6, 5, 4) shorted | 0.875μH MAX | |
| | DCR | (1-2) | 210mΩ MAX | |
| | | (6, 7-9, 10) | 9mΩ MAX | |
| | | (4-5) | 580mΩ MAX | |
| | Hi-Pot | Pri-Sec | 1500Vrms | |
| KI Factor | 18.3 | | | |
| PA2367NL | Pri. Inductance | (2-1) | 85μH ±10% | <p>FLYBACK TRANSFORMER</p> |
| | Lk. Inductance | (2-1) with (10, 9, 7, 6, 5, 4) shorted | 0.75μH MAX | |
| | DCR | (2-1) | 325mΩ MAX | |
| | | (9, 10-6, 7) | 25.5mΩ MAX | |
| | | (4-5) | 815mΩ MAX | |
| | Hi-Pot | Pri-Sec | 1500Vrms | |
| KI Factor | 1614.4 | | | |
| PA2369NL | Pri. Inductance | (5-3) | 37μH ±10% | <p>FLYBACK TRANSFORMER</p> |
| | Lk. Inductance | (5-3) with (6, 7, 9, 10) shorted | 0.75μH MAX | |
| | DCR | (5-3) | 89mΩ MAX | |
| | | (6, 7-9, 10) | 6.2mΩ MAX | |
| | | (2-1) | 84mΩ MAX | |
| | Hi-Pot | Pri-Sec | 1500Vrms | |
| KI Factor | 948.7 | | | |
| PA2417NL | Pri. Inductance | (1-2) | 530μH ±28% | <p>FORWARD TRANSFORMER</p> |
| | Lk. Inductance | (1-2) with (10, 9, 7, 6, 5, 4) shorted | 0.5μH MAX | |
| | DCR | (1-2) | 75mΩ MAX | |
| | | (6, 7-9, 10) | 6.5mΩ MAX | |
| | | (4-5) | 886mΩ MAX | |
| | Hi-Pot | Pri-Sec | 1500Vdc | |
| KI Factor | 25.6 | | | |

High Frequency Wire Wound Transformers

EP13 Platforms - SMT

| Electrical Specifications @ 25°C - Operating Temperature -40°C to +130°C ¹ | | | | |
|---|-----------------|--|--------------|---|
| PA2431NL | Pri. Inductance | (1-2) | 429.3μH ±28% |  <p>FORWARD TRANSFORMER</p> |
| | Lk. Inductance | (1-2) with (10, 9, 7, 6, 5, 4) shorted | 0.5μH MAX | |
| | DCR | (1-2) | 68mΩ MAX | |
| | DCR | (6, 7-9, 10) | 6.75mΩ MAX | |
| | DCR | (4-5) | 970mΩ MAX | |
| | Hi-Pot | Pri-Sec | 1500Vdc | |
| | KI Factor | 28.5 | | |
| PA2437NL | Pri. Inductance | (1-4) with (3-2) shorted | 80μH ±10% |  <p>FORWARD TRANSFORMER</p> |
| | Lk. Inductance | (1-4) with (3-2) and (9-10) shorted | 2μH MAX | |
| | DCR | (1-3) | 47mΩ MAX | |
| | | (2-4) | 58mΩ MAX | |
| | | (6-7) | 155mΩ MAX | |
| | | (9-10) | 12mΩ MAX | |
| | Hi-Pot | Pri-Sec | 1500Vrms | |
| KI Factor | 1709.4 | | | |
| PA2466NL | Pri. Inductance | (5-3) | 37μH ±10% |  <p>FLYBACK TRANSFORMER</p> |
| | Lk. Inductance | (5-3) with (6, 7, 9, 10) shorted | 0.75μH MAX | |
| | DCR | (5-3) | 89mΩ MAX | |
| | | (6, 7-9, 10) | 4.6mΩ MAX | |
| | | (2-1) | 96mΩ MAX | |
| | Hi-Pot | Pri-Sec | 1500Vrms | |
| KI Factor | 948.7 | | | |
| PA2467NL | Pri. Inductance | (5-3) | 37μH ±10% |  <p>FLYBACK TRANSFORMER</p> |
| | Lk. Inductance | (5-3) with (6, 7, 9, 10) shorted | 0.75μH MAX | |
| | DCR | (5-3) | 89mΩ MAX | |
| | | (6, 7-9, 10) | 4.6mΩ MAX | |
| | | (2-1) | 96mΩ MAX | |
| | Hi-Pot | Pri-Sec | 1500Vrms | |
| KI Factor | 948.7 | | | |
| PA2641NL | Pri. Inductance | (3-4) | 40μH ±10% |  <p>FLYBACK TRANSFORMER</p> |
| | Lk. Inductance | (3-4) with (6,7,9,10) shorted | 1.5μH MAX | |
| | DCR | (3,4) | 100mΩ MAX | |
| | | (6-7) | 105mΩ MAX | |
| | | (9-10) | 170mΩ MAX | |
| | | (2-1) | 460mΩ MAX | |
| | Hi-Pot | (1,2) to 3,4,6,7,9,10 | 1500Vrms | |
| KI Factor | 976.8 | | | |

High Frequency Wire Wound Transformers

EP13 Platforms - SMT



| Electrical Specifications @ 25°C - Operating Temperature -40°C to +130°C | | | |
|---|--------------------------|---|--------------|
| PA2649NL | Pri. Inductance | (1-2) | 100.5μH ±10% |
| | Lk. Inductance | (1-2) with (4, 5, 6, 7, 8, 9, 10) shorted | 0.88μH MAX |
| | DCR | (1-2) | 110mΩ MAX |
| | | (6, 7-9, 10) | 40mΩ MAX |
| | | (4-5) | 561mΩ MAX |
| | Hi-Pot | Pri-Sec | 1500Vdc |
| KI Factor | 22.3 | | |
| <p style="text-align: center;">FORWARD TRANSFORMER</p> | | | |
| PA2669NL | Pri. Inductance | (1,2) | 17.3μH ±10% |
| | Lk. Inductance | (1,2) with (6,7-9,10) shorted | 0.28μH MAX |
| | DCR | (1-2) | 42mΩ MAX |
| | | (5-4) | 99mΩ MAX |
| | | (6,7-9,10) | 12.6mΩ MAX |
| | Hi-Pot | (1,2) to (6,7,9,10) | 1500Vrms |
| (1,2) to (4,5) | | 600Vrms | |
| KI Factor | 739.3 | Windings to core | 600Vrms |
| <p style="text-align: center;">FLYBACK TRANSFORMER</p> | | | |
| PA2725NL | Pri. Inductance | (5-4) | 139.5μH ±10% |
| | Lk. Inductance | (5-4) with (7,8,9,10) shorted | 1.1μH MAX |
| | DCR | (5,4) | 265mΩ MAX |
| | | (7-9) | 23mΩ MAX |
| | | (8-10) | 40mΩ MAX |
| | | (2-1) | 110mΩ MAX |
| Hi-Pot | (1,2,3,4) to (7,8,9,10) | 1500Vrms | |
| KI Factor | 2384.6 | | |
| <p>* Please note this part has an alternate pin-out. Please see note 5 and refer to alternate mechanical drawing.</p> <p style="text-align: center;">FLYBACK TRANSFORMER</p> | | | |
| PA2945NL | Pri. Inductance | (1-2) | 100μH ±10% |
| | Lk. Inductance | (1-2) with (4, 5, 6, 7, 8, 9, 10) shorted | 0.3μH MAX |
| | DCR | (1-2) | 27.5mΩ MAX |
| | | (6, 7-9, 10) | 52mΩ MAX |
| | | (4-5) | 295mΩ MAX |
| | Hi-Pot | Pri-Sec | 1500Vrms |
| KI Factor | 42.7 | | |
| <p style="text-align: center;">FORWARD TRANSFORMER</p> | | | |
| PA3150NL | Pri. Inductance | (1-3) | 100.5μH ±10% |
| | Lk. Inductance | (1-3) with (4,5,6,7,9,10) shorted | 0.5μH MAX |
| | DCR | (1-3) | 74.5mΩ MAX |
| | | (4-5) | 550mΩ MAX |
| | | (6,9) | 15.5mΩ MAX |
| | | (7,10) | 16.5mΩ MAX |
| Hi-Pot | (1,3,4,5) to (7, 6,9,10) | 1500Vrms | |
| KI Factor | 28.5 | | |
| <p style="text-align: center;">FORWARD TRANSFORMER</p> | | | |

High Frequency Wire Wound Transformers

EP13 Platforms - SMT



Electrical Specifications @ 25°C - Operating Temperature -40°C to +130°C¹

| Part Number | Parameter | Value | Notes |
|-------------|-------------------------|--|---|
| PA3171NL | Pri. Inductance | (1-3) | 100µH ±10% |
| | Lk. Inductance | (1-3) with (6, 7, 8, 9) shorted | 1µH MAX |
| | DCR | (1-3) | 190mΩ MAX |
| | | (6-7) | 28mΩ MAX |
| | | (8-9) | 500mΩ MAX |
| | Hi-Pot | (1,2,3,4) TO (6,7,8,9) | 500Vrms |
| KI Factor | 1831.5 | | |
| | | | <p>* Please note this part has an alternate pin-out. Please see note 5 and refer to alternate mechanical drawing.</p> <p>FLYBACK TRANSFORMER</p> |
| PA3242NL | Pri. Inductance | (1-10) | 220µH ±10% |
| | Lk. Inductance | (1-10) with (2, 3, 4, 5, 6, 7, 8, 9) shorted | 1.6µH MAX |
| | DCR | (1-10) | 230mΩ MAX |
| | | (2-9)=(3-8) | 17.5mΩ MAX |
| | | (4-7) | 50mΩ MAX |
| | | (5-6) | 50mΩ MAX |
| Hi-Pot | Pri-Sec | 1000Vdc | |
| KI Factor | 3760.7 | | |
| | | | <p>FLYBACK TRANSFORMER</p> |
| PA3274NL | Pri. Inductance | (1-2) | 100µH ±10% |
| | Lk. Inductance | (1-2) with (4,5,6,7,9,10) shorted | 0.5µH MAX |
| | DCR | (1-2) | 77.75mΩ MAX |
| | | (6-9) | 11.9mΩ MAX |
| | | (7-10) | 12.95mΩ MAX |
| | | (4-5) | 256mΩ MAX |
| Hi-Pot | (1,2,4,5) to (6,7,9,10) | 1500Vrms | |
| KI Factor | 17.7 | | |
| | | | <p>FORWARD TRANSFORMER</p> |
| PA3342NL | Pri. Inductance | (2-3) | 90µH ±10% |
| | Lk. Inductance | (2-3) with (10, 9, 8, 7) shorted | 2µH MAX |
| | DCR | (2-3) | 300mΩ MAX |
| | | (5-4) | 120mΩ MAX |
| | | (9-10) | 40mΩ MAX |
| | | (7-8) | 27mΩ MAX |
| Hi-Pot | Pri-Sec | 1500Vdc | |
| KI Factor | 1442.3 | | |
| | | | <p>FORWARD TRANSFORMER</p> |
| PA3371NL | Pri. Inductance | (4-5) | 31µH ±10% |
| | Lk. Inductance | (4-5) with (1, 2, 3, 6, 7, 8, 9, 10) shorted | 0.5µH MAX |
| | DCR | (4-5) | 100mΩ MAX |
| | | (6-8)=(7-9) | 13mΩ MAX |
| | | (1-10) | 83.5mΩ MAX |
| | | (3-2) | 155mΩ MAX |
| Hi-Pot | Pri-Sec | 1500Vrms | |
| KI Factor | 794.9 | | |
| | | | <p>FORWARD TRANSFORMER</p> |

High Frequency Wire Wound Transformers

EP13 Platforms - SMT

Electrical Specifications @ 25°C - Operating Temperature -40°C to +130°C

| Part Number | Parameter | Winding | Value | Diagram |
|-------------|-------------------------|---|--------------------|---|
| PA3519NL | Pri. Inductance | (1-3) | 73.5µH ±10% | |
| | | (1-3) | 57.5µH min @1.7ADC | |
| | Lk. Inductance | (1-3) with (4,5,6,7,8,9) shorted | 0.6µH MAX | |
| | DCR | (1-3) | 113mΩ MAX | |
| | | (6-7) | 15mΩ MAX | |
| | | (8-9) | 31mΩ MAX | |
| | | (5-4) | 180mΩ MAX | |
| Hi-Pot | (1,3,4,5) to (6,7,8,9) | 1500Vrms | | |
| KI Factor | | 1570.5 | | |
| | | | | FLYBACK TRANSFORMER |
| PA3642NL | Pri. Inductance | (1-3) | 37.9µH ±10% | |
| | | (1-3) | 30µH Min @ 2.5ADC | |
| | Lk. Inductance | (1-3) with (4,5,6,7,8,9) shorted | 0.4 µH MAX | |
| | DCR | (1-3) | 101mΩ MAX | |
| | | (6-7) | 14mΩ MAX | |
| | | (8-9) | 26mΩ MAX | |
| | | (5-4) | 92mΩ MAX | |
| Hi-Pot | (1,3,4,5) to (6,7,8,9) | 1500Vrms | | |
| KI Factor | | 1079.8 | | |
| | | | | FLYBACK TRANSFORMER |
| | | | | <small>* Please note this part has an alternate pin-out. Please see note 5 and refer to alternate mechanical drawing.</small> |
| PA3715NL | Pri. Inductance | (5-3) | 37µH ±10% | |
| | | (5-3) | 29µH Min @ 2.8ADC | |
| | Lk. Inductance | (5-3) with (1,2,6,7,9,10) shorted | 0.75µH MAX | |
| | DCR | (5,3) | 89mΩ MAX | |
| | | (5-3) | 84mΩ MAX | |
| | | (2-1) | 3.87mΩ MAX | |
| Hi-Pot | (1,2,3,5) to (6,7,9,10) | 1500Vrms | | |
| KI Factor | | 948.7 | | |
| | | | | FLYBACK TRANSFORMER |
| PA4065NL | Pri. Inductance | (1-2) | 100.5µH ±10% | |
| | Lk. Inductance | (1-2) with (4, 5, 6, 7, 8, 9, 10) shorted | 0.88µH MAX | |
| | DCR | (1-2) | 75mΩ MAX | |
| | | (6, 7-9, 10) | 40mΩ MAX | |
| | | (4-5) | 410mΩ MAX | |
| | Hi-Pot | Pri-Sec | 1500Vrms | |
| KI Factor | | 27.0 | | |
| | | | | FORWARD TRANSFORMER |

High Frequency Wire Wound Transformers

EP13 Platforms - SMT



| Electrical Specifications @ 25°C - Operating Temperature -40°C to +130°C | | | | |
|--|---------------------------|-------------------------------------|----------------------|---|
| PA4836NL | Pri. Inductance | (2-3) | 75µH ±10% | <p>PRI 33-57 VDC 200 kHz</p> <p>AUX 10 V 0.02 A</p> <p>SEC 10 V, 0.01 A</p> <p>SEC 48 V, 25.5 W</p> <p>FLYBACK TRANSFORMER</p> |
| | | (2-3) | 52.5µH Min @ 2.3 ADC | |
| | Lk. Inductance | (2-3) with (7,8,9,10) shorted | 2µH MAX | |
| | DCR | (2-3) | 300mΩ MAX | |
| | | (5-4) | 120mΩ MAX | |
| | | (9-10) | 68mΩ MAX | |
| | | (7-8) | 352mΩ MAX | |
| Hi-Pot | (2,3,4,5) to (7,8,9,10) | 1650Vrms | | |
| KI Factor | | 1201.9 | | |
| PG0738NL | Pri. Inductance | (4-3) | 162µH ±10% | <p>36-60 V 250 KHz</p> <p>12 V, 20 mA 2.2</p> <p>5.1V, 2.5 A</p> <p>2.2 12 V, 20 mA</p> <p>FLYBACK TRANSFORMER</p> |
| | Lk. Inductance | (4-3) with (7,8,9,10) shorted | 2.2 µH MAX | |
| | DCR | (4-3) | 600mΩ MAX | |
| | | (1-2) | 240mΩ MAX | |
| | | (9-10) | 14mΩ MAX | |
| | (7-8) | 240mΩ MAX | | |
| Hi-Pot | (1,2,3,4) to (7,8,9,10) | 1500Vrms | | |
| KI Factor | | 2076.9 | | |
| PG1318NL | Pri. Inductance | (1-2) | 100.5µH ±10% | <p>VIN= 33-57 V FREQ=200 KHz</p> <p>PRI 33-57V 250kHz</p> <p>AUX 15V@10 mA</p> <p>SEC 12V@ 2.5A</p> <p>FORWARD TRANSFORMER</p> |
| | Lk. Inductance | (1-2) with (4,5,6,7,9,10) shorted | 0.875µH MAX | |
| | DCR | (1-2) | 110mΩ MAX | |
| | | (6,7-9,10) | 40mΩ MAX | |
| | | (4-5) | 680mΩ MAX | |
| | Hi-Pot | (1,2,4,5) to (6,7,9,10) | 1500Vrms | |
| KI Factor | | 22.3 | | |
| PG1387NL | Pri. Inductance | (2-1) | 123µH ±12% | <p>9V-16V 200kHz</p> <p>24V / 0.5A</p> <p>24V / 0.5A</p> <p>FLYBACK TRANSFORMER</p> |
| | Lk. Inductance | (2-1) with (3,4,6,7,8,9,10) shorted | 2µH MAX | |
| | Lk. Inductance | (2-1) with (7,8) shorted | 5µH MAX | |
| | Lk. Inductance | (2-1) with (7,8,9,10) shorted | 2.1µH MAX | |
| | DCR | (2-1) | 428mΩ MAX | |
| | | (4-3) | 590mΩ MAX | |
| | | (6-7) | 280mΩ MAX | |
| | | (7-8) | 35mΩ MAX | |
| (9-10) | | 25mΩ MAX | | |
| Hi-Pot | (1,2,3,4) to (6,7,8,9,10) | 1500Vrms | | |
| KI Factor | | 3504.3 | | |

High Frequency Wire Wound Transformers

EP13 Platforms - SMT



Electrical Specifications @ 25°C - Operating Temperature -40°C to +130°C¹

| Model | Parameter | Winding Configuration | Value | Notes |
|------------------|-----------------|--|--------------|-----------------------------------|
| PG1576NL | Pri. Inductance | (3-4) | 230.4µH ±10% | <p>FORWARD TRANSFORMER</p> |
| | Lk. Inductance | (3-4) with (10,9,8,7) shorted | 1.5 µH MAX | |
| | DCR | (3-4) | 36mΩ MAX | |
| | | (7,8-9,10) | 3.5mΩ MAX | |
| | | (2,1) | 58mΩ MAX | |
| | Hi-Pot | (1,2,3,4) to (7,8,9,10) | 1500Vrms | |
| | | (1,2) to (3,4) | 500Vrms | |
| windings to core | | 600Vrms | | |
| K1 Factor | | 42.7 | | |
| PG1593NL | Pri. Inductance | (2-1) | 144µH ±10% | <p>FLYBACK TRANSFORMER</p> |
| | Lk. Inductance | (2-1) with (3,4,6,7,8,9,10) shorted | 0.9µH MAX | |
| | | (3-4) with (1,2,6,7,8,9,10) shorted | 0.3µH MAX | |
| | | (6-7) with (1,2,3,4,6,7,9,10) shorted | 0.2µH MAX | |
| | | (7-8) with (1,2,3,4,6,7,9,10) shorted | 0.1µH MAX | |
| | | (9-10) with (1,2,3,4,6,7,9,10) shorted | 0.1µH MAX | |
| | DCR | (2-1) | 1202mΩ MAX | |
| Hi-Pot | (1,3-6,7,9,10) | 1500Vrms | | |
| K1 Factor | | 2953.8 | | |
| PH2467NL | Pri. Inductance | (5-3) | 37µH ±10% | <p>FLYBACK TRANSFORMER</p> |
| | Lk. Inductance | (5-3) with (6,10) shorted | 0.65µH MAX | |
| | DCR | (5-3) | 89mΩ MAX | |
| | | (2-1) | 96mΩ MAX | |
| | Hi-Pot | (6-10) | 28mΩ MAX | |
| | | (5,3,2,1) to (6,10) | 1650Vrms | |
| K1 Factor | | 948.7 | | |
| PH9006NL | Pri. Inductance | (3-4) | 19µH ±15% | <p>FLYBACK TRANSFORMER</p> |
| | Lk. Inductance | (3-4) with (1,2,7,9) shorted | 0.42 µH MAX | |
| | DCR | (3-4) | 36mΩ MAX | |
| | | (7,9) | 3.5mΩ MAX | |
| | | (2-1) | 58mΩ MAX | |
| | Hi-Pot | (1,2,3,4) to (7,8,9,10) | 1500Vrms | |
| K1 Factor | | 609.0 | | |

High Frequency Wire Wound Transformers

EP13 Platforms - SMT



| Electrical Specifications @ 25°C - Operating Temperature -40°C to +130°C ¹ | | | | |
|---|-----------------|-----------------------------------|--------------|----------------------------|
| PH9058NL | Pri. Inductance | (5-4) | 152μH ±10% | <p>FLYBACK TRANSFORMER</p> |
| | Lk. Inductance | (5-4) with (1,2,7,8,9,10) shorted | 4μH MAX | |
| | DCR | (5-4) | 280mΩ MAX | |
| | | (7,8-9,10) | 50mΩ MAX | |
| | | (2-1) | 67mΩ MAX | |
| | Hi-Pot | (1,2,4,5) to (7,8,9,10) | 1650Vrms | |
| | KI Factor | 2435.9 | | |
| PH9098NL | Pri. Inductance | (1-2) | 100.5μH ±15% | <p>FORWARD TRANSFORMER</p> |
| | Lk. Inductance | (1-2) with (4,5,6,7,9,10) shorted | 1.5μH MAX | |
| | DCR | (1-2) | 115mΩ MAX | |
| | | (4-5) | 980mΩ MAX | |
| | | (6,10) | 60mΩ MAX | |
| | | (7,9) | 480 mΩ MAX | |
| | Hi-Pot | Pri-Sec | 1650Vrms | |
| KI Factor | 22.3 | | | |

High Frequency Wire Wound Transformers

EP13 Platforms - SMT



NOTES:

1. The temperature of the component (ambient plus temperature rise) must be within the stated operating temperature range.
2. The above transformers and inductors have been tested and approved by Pulse's power IC partners and are sited in the appropriate datasheet or evaluation board documentation at these companies. To determine which IC and IC partners are matched with the above Pulse part numbers please consult the IC Cross Reference on the Pulse website.
3. For flyback topology applications, it is necessary to ensure that the transformer will not saturate in the application. The peak flux density (Bpk) should remain below 2700Gauss.

To calculate the peak density, use the following formula

$$B_{pk} \text{ (Gauss)} = K1_Factor * I_{pk} \text{ (A)}$$

4. In high volt-sec applications, it is important to calculate the core loss of the transformer.

Approximate transformer core loss can be calculated as:

$$CoreLoss \text{ (W)} = 2.5E-14 * (Freq_kHz)^{1.65} * (\Delta B_Gauss)^{2.63}$$

where ΔB can be calculated as:

For Flyback Topology: $\Delta B = K1_Factor * \Delta I(A)$

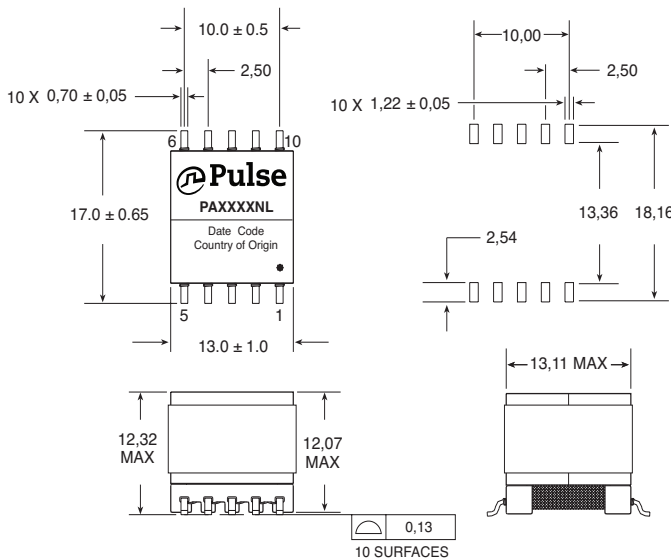
For Forward Topology: $\Delta B = K1_Factor * Volt\text{-}\mu\text{sec}$

5. The standard pin-numbering for this package is indicated in the below mechanical drawing showing pin 1 on the lower right corner and the numbers proceeding clock wise to pin 10 on the upper right corner. However, for those parts that are indicated as having an alternate pinout, pin 1 is in the lower left corner and the numbers proceed counter-clockwise to pin 10 in the upper left corner. Refer to the alternate mechanical drawing for further details.
6. Optional Tape & Reel packaging can be ordered by adding a "T" suffix to the part number (i.e. PA1136NL becomes PA1136NLT). Pulse complies with industry standard tape and reel specification EIA481. The tape and reel for this product has a width (W=32mm), pitch (Po=24mm) an depth (Ko=13.2mm).
7. The "NL" suffix indicates an RoHS-compliant part number. Non-NL suffixed parts are not necessarily RoHS compliant, but are electrically and mechanically equivalent to NL versions. If a part number does not have the "NL" suffix, but an RoHS compliant version is required, please contact Pulse for availability.

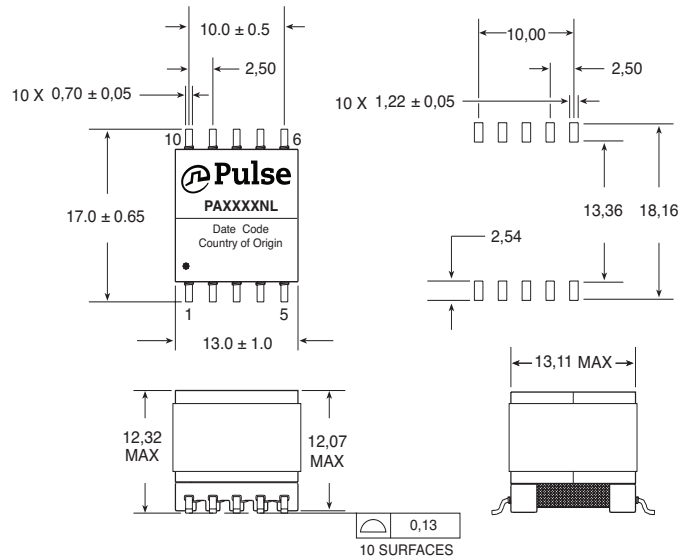
Mechanical

Alternate Mechanical

PAXXXXNL



PA2194NL PA2669NL, PA3171NL, PA3519NL, and PA3642NL



For More Information

Pulse Worldwide

Headquarters

15255 Innovation Drive Ste 100
San Diego, CA 92128
U.S.A.

Pulse Europe

Pulse Electronics GmbH
Am Rottland 12
58540 Meinerzhagen
Germany

Pulse China Headquarters

Pulse Electronics (ShenZhen) CO., LTD
D708, Shenzhen Academy of
Aerospace Technology,
The 10th Keji South Road,
Nanshan District, Shenzhen,
P.R. China 518057

Pulse North China

Room 2704/2705
Super Ocean Finance Ctr.
2067 Yan An Road West
Shanghai 200336
China

Pulse South Asia

3 Fraser Street
0428 DUO Tower
Singapore 189352

Pulse North Asia

1F., No.111 Xiyuan Rd
Zhongli City
Taoyuan City 32057
Taiwan (R.O.C)

Tel: 858 674 8100
Fax: 858 674 8262

Tel: 49 2354 777 100
Fax: 49 2354 777 168

Tel: 86 755 33966678
Fax: 86 755 33966700

Tel: 86 21 62787060
Fax: 86 2162786973

Tel: 65 6287 8998
Fax: 65 6280 0080

Tel: 886 3 4356768
Fax: 886 3 4356820

Performance warranty of products offered on this data sheet is limited to the parameters specified. Data is subject to change without notice. Other brand and product names mentioned herein may be trademarks or registered trademarks of their respective owners. © Copyright, 2018. Pulse Electronics, Inc. All rights reserved.

Компания «Океан Электроники» предлагает заключение долгосрочных отношений при поставках импортных электронных компонентов на взаимовыгодных условиях!

Наши преимущества:

- Поставка оригинальных импортных электронных компонентов напрямую с производств Америки, Европы и Азии, а так же с крупнейших складов мира;
- Широкая линейка поставок активных и пассивных импортных электронных компонентов (более 30 млн. наименований);
- Поставка сложных, дефицитных, либо снятых с производства позиций;
- Оперативные сроки поставки под заказ (от 5 рабочих дней);
- Экспресс доставка в любую точку России;
- Помощь Конструкторского Отдела и консультации квалифицированных инженеров;
- Техническая поддержка проекта, помощь в подборе аналогов, поставка прототипов;
- Поставка электронных компонентов под контролем ВП;
- Система менеджмента качества сертифицирована по Международному стандарту ISO 9001;
- При необходимости вся продукция военного и аэрокосмического назначения проходит испытания и сертификацию в лаборатории (по согласованию с заказчиком);
- Поставка специализированных компонентов военного и аэрокосмического уровня качества (Xilinx, Altera, Analog Devices, Intersil, Interpoint, Microsemi, Actel, Aeroflex, Peregrine, VPT, Syfer, Eurofarad, Texas Instruments, MS Kennedy, Miteq, Cobham, E2V, MA-COM, Hittite, Mini-Circuits, General Dynamics и др.);

Компания «Океан Электроники» является официальным дистрибьютором и эксклюзивным представителем в России одного из крупнейших производителей разъемов военного и аэрокосмического назначения «JONHON», а так же официальным дистрибьютором и эксклюзивным представителем в России производителя высокотехнологичных и надежных решений для передачи СВЧ сигналов «FORSTAR».



JONHON

«JONHON» (основан в 1970 г.)

Разъемы специального, военного и аэрокосмического назначения:

(Применяются в военной, авиационной, аэрокосмической, морской, железнодорожной, горно- и нефтедобывающей отраслях промышленности)

«FORSTAR» (основан в 1998 г.)

ВЧ соединители, коаксиальные кабели, кабельные сборки и микроволновые компоненты:

(Применяются в телекоммуникациях гражданского и специального назначения, в средствах связи, РЛС, а так же военной, авиационной и аэрокосмической отраслях промышленности).



Телефон: 8 (812) 309-75-97 (многоканальный)

Факс: 8 (812) 320-03-32

Электронная почта: ocean@oceanchips.ru

Web: <http://oceanchips.ru/>

Адрес: 198099, г. Санкт-Петербург, ул. Калинина, д. 2, корп. 4, лит. А