



Ferrites and accessories

RM 10, RM 10 LP Core and accessories

Series/Type: B65813, B65814, B65679

Date: May 2017

The following products presented in this data sheet are being withdrawn.

| Ordering Code | Substitute Product | Date of Withdrawal | Deadline Last Orders | Last Shipments |
|-----------------|--------------------|--------------------|----------------------|----------------|
| B65814B5000X000 | | 2018-06-08 | 2018-09-14 | 2018-12-14 |

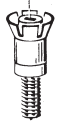
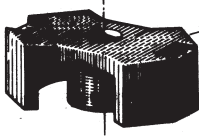


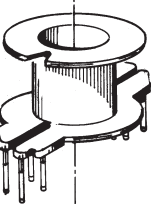
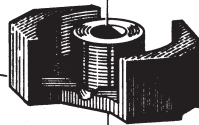


For further information please contact your nearest EPCOS sales office, which will also support you in selecting a suitable substitute. The addresses of our worldwide sales network are presented at www.epcos.com/sales.

© EPCOS AG 2017. Reproduction, publication and dissemination of this publication, enclosures hereto and the information contained therein without EPCOS' prior express consent is prohibited.

EPCOS AG is a TDK Group Company.

RM 10

Core and accessories

| | Individual parts | Part no. | Page |
|---|----------------------------|----------|------|
|  | Adjusting screw | B65679 | 8 |
|  | Core | B65813 | 3 |
|  | Clamps | B65814 | 7 |
|  | Insulating washer 1 | B65814 | 7 |
|  | Coil former | B65814 | 5 |
|  | Core | B65813 | 3 |
|  | Threaded sleeve (glued-in) | | |
|  | Insulating washer 2 | B65814 | 7 |

FRM0053-L

Example of an assembly set

Also available:

| | | |
|------------------------------------|---------|---|
| Coil former for power applications | B65814 | 6 |
| <u>RM 10 low-profile:</u> Core | B65813P | 9 |

RM 10
Core
B65813

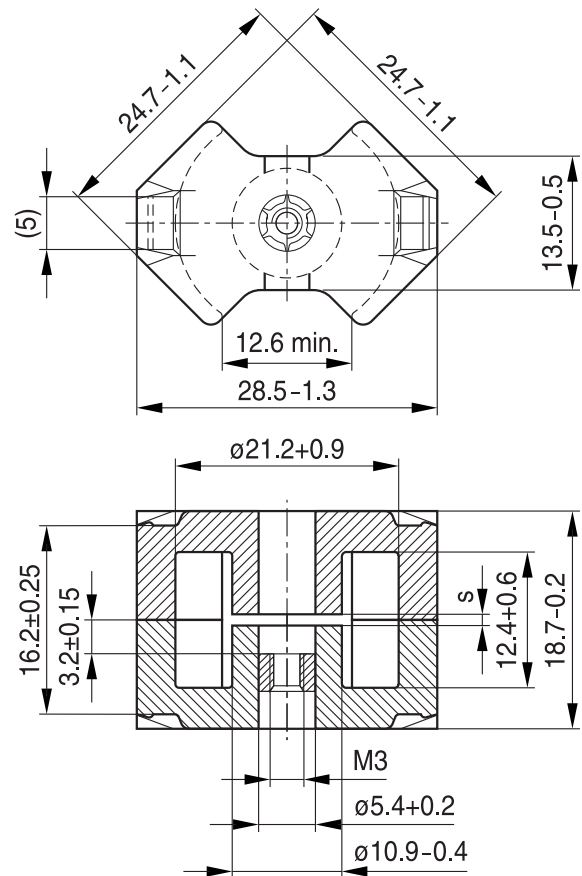
- To IEC 62317-4
- Cores without center hole for transformer applications
- Delivery mode: sets

Magnetic characteristics (per set)

| | with center hole | without center hole | |
|--------------|------------------|---------------------|------------------|
| $\Sigma l/A$ | 0.5 | 0.45 | mm ⁻¹ |
| l_e | 42 | 44 | mm |
| A_e | 83 | 98 | mm ² |
| A_{min} | — | 90 | mm ² |
| V_e | 3490 | 4310 | mm ³ |

Approx. weight (per set)

| m | 20.7 | 22 | g |
|---|------|----|---|
| | | | |



FRM0354-D

Gapped (A_L values/air gaps examples)

| Material | A_L value nH | s approx. mm | μ_e | Ordering code ¹⁾ -D with center hole -N with threaded sleeve -J without center hole |
|----------|-------------------|--------------------|---------|---|
| N48 | 400 ± 3% | 0.21 | 161 | B65813+0400A048 |
| | 630 ± 3% | 0.13 | 254 | B65813+0630A048 |
| N41 | 250 ± 3% | 0.44 | 89 | B65813J0250A041 |
| | 630 ± 5% | 0.13 | 225 | B65813J0630J041 |
| | 1600 ± 10% | 0.04 | 572 | B65813J1600K041 |

1) Replace the + by the code letter "D" or "N" for the required version.

RM 10

Core

B65813

Ungapped

| Material | A _L value nH | μ _e | P _V W/set | Ordering code -J without center hole |
|----------|----------------------------|----------------|----------------------------------|---|
| N30 | 7600 +30/-20% | 2720 | | B65813J0000R030 |
| T38 | 16000 +40/-30% | 5720 | | B65813J0000Y038 |
| N49 | 2900 +30/-20% | 1040 | < 0.75 (50 mT, 500 kHz, 100 °C) | B65813J0000R049 |
| N87 | 4200 +30/-20% | 1500 | < 2.30 (200 mT, 100 kHz, 100 °C) | B65813J0000R087 |
| N97 | 4200 +30/-20% | 1500 | < 2.00 (200 mT, 100 kHz, 100 °C) | B65813J0000R097 |
| N41 | 5500 +30/-20% | 1960 | < 0.80 (200 mT, 25 kHz, 100 °C) | B65813J0000R041 |
| N95 | 5500 +30/-20% | 1960 | < 2.20 (200 mT, 100 kHz, 100 °C) | B65813J0000R095 |

Other A_L values/air gaps and materials available on request – see Processing remarks on page 10.

Coil former

Material: GFR thermosetting plastic (UL 94 V-0, insulation class to IEC 60085: F \triangleq max. operating temperature 155 °C), color code black
 Sumikon PM 9630® [E41429 (M)], SUMITOMO BAKELITE CO LTD

Solderability: to IEC 60068-2-20, test Ta, method 1 (aging 3): 235 °C, 2 s

Resistance to soldering heat: to IEC 60068-2-20, test Tb, method 1B: 350 °C, 3.5 s

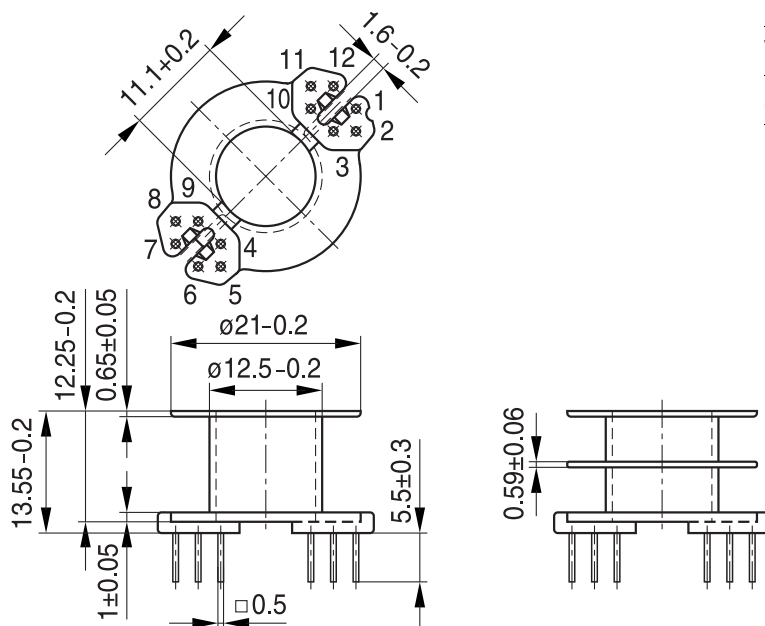
Winding: see Processing notes, 2.1

Pins: Squared pins

For matching clamp and insulating washers see page 7.

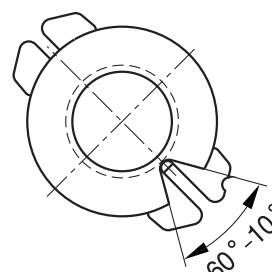
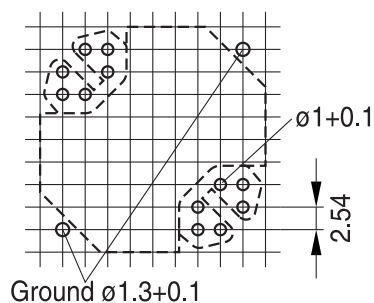
| Sections | A_N mm ² | l_N mm | A_R value $\mu\Omega$ | Pins | Ordering code |
|----------|--------------------------|-------------|----------------------------|---------|------------------------------------|
| 1 | 41.5 | 52 | 43 | 8 12 | B65814N1008D001 B65814N1012D001 |
| 2 | 39 | 52 | 46 | 8 12 | B65814N1008D002 B65814N1012D002 |

12 pins



| Version | Pins omitted |
|---------|--------------|
| 8 pins | 2, 5, 8, 11 |

Hole arrangement
View in
mounting direction



FRM0271-W-E

Coil former for power applications

Optimized for automatic winding

Material: GFR polyterephthalate (UL 94 V-0, insulation class to IEC 60085:

 $F \triangleq$ max. operating temperature 155 °C), color code black

Valox 420-SE0 [E45329 (M)] SABIC INNOVATIVE PLASTICS B V

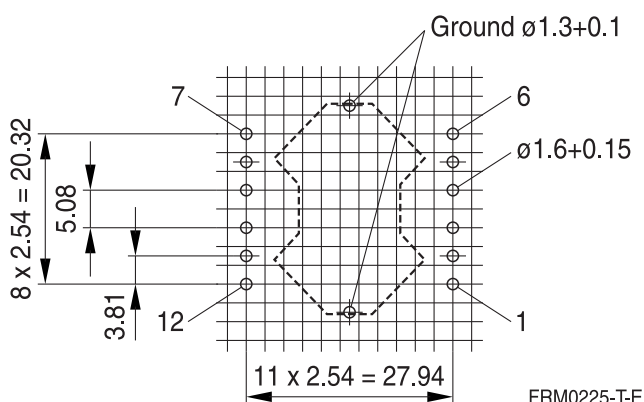
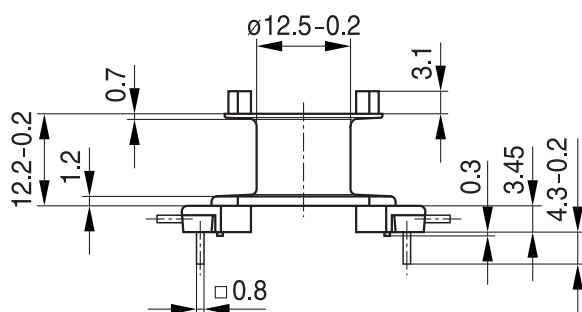
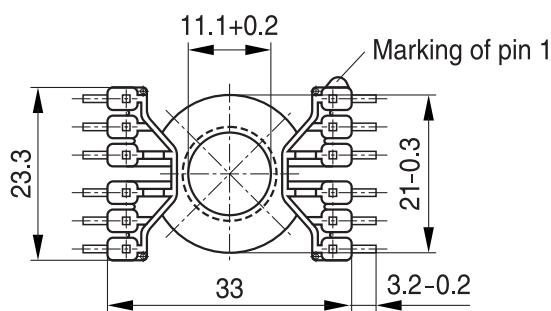
Solderability: to IEC 60068-2-20, test Ta, method 1 (aging 3): 235 °C, 2 s

Resistance to soldering heat: to IEC 60068-2-20, test Tb, method 1B: 350 °C, 3.5 s

Winding: see Processing notes, 2.1

For matching clamp and insulating washer 1 see page 7.

| Sections | A_N mm ² | l_N mm | A_R value $\mu\Omega$ | Pins | Ordering code |
|----------|--------------------------|-------------|----------------------------|------|-----------------|
| 1 | 41.5 | 52 | 43 | 12 | B65814C1512T001 |



Hole arrangement
View in mounting direction
(Note half pitch!)

FRM0225-T-E

Clamp

- With ground terminal, made of spring steel (tinned), 0.4 mm thick
- Solderability to IEC 60068-2-20, test Ta, method 1 (aging 3): 235 °C, 2 s

Insulating washer 1 between core and coil former

- For tolerance compensation and for insulation
- Made of polyarylate film (UL 94 V-0, insulation class to IEC 60085: E \geq 120 °C), 0.08 mm thick Aryphan F685, [E167358 (M)], natural color, LOFO HIGH TECH FILM GMBH

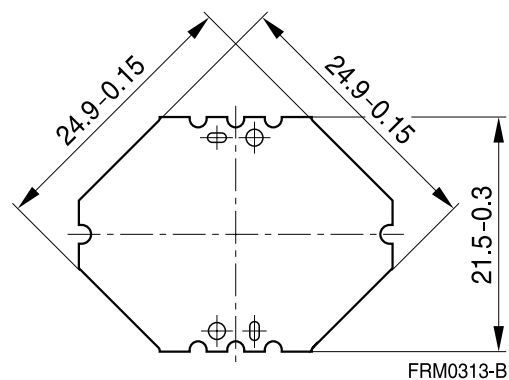
Insulating washer 2 for double-clad PCBs

- Made of polycarbonate (UL 94 V-0, insulation class to IEC 60085: E \geq 120 °C), 0.25 mm thick Makrofol FR7-2 [E168120 (M)], COVESTRO AG

| | Ordering code |
|---|-----------------|
| Clamp (ordering code per piece, 2 are required) | B65814B2203X000 |
| Insulating washer 1 (reel packing, PU = 1 reel) | B65814B5000X000 |
| Insulating washer 2 (bulk) | B65814B2005X000 |

Clamp

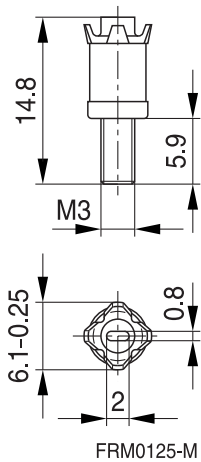
Insulating washer 1

Insulating washer 2


RM 10
Accessories
B65679
Adjusting screw

- Tube core with thread and core brake made of GFR polyterephthalate
Pocan B3235® [E245249 (M)], LANXESS AG

| Tube core Ø × length (mm) | Material | Color code | Ordering code |
|------------------------------|----------|------------|-----------------|
| 4.55 × 6.3 | N22 | red | B65679E0003X022 |
| 4.98 × 6.3 | N22 | black | B65679E0002X022 |



RM 10 »Low Profile«
Core
B65813P

- To IEC 62317-4
- For compact transformers
- Without center hole
- Delivery mode: sets

Magnetic characteristics (per set)

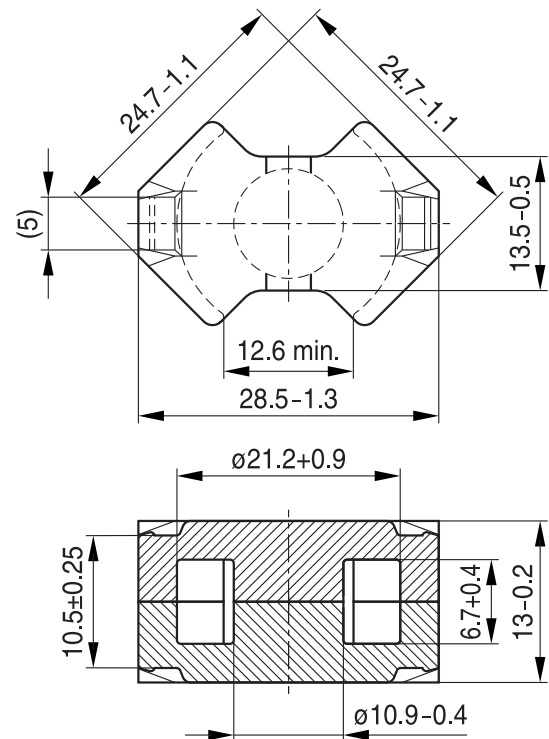
$$\Sigma l/A = 0.34 \text{ mm}^{-1}$$

$$l_e = 33.9 \text{ mm}$$

$$A_e = 99.1 \text{ mm}^2$$

$$A_{\min} = 90.0 \text{ mm}^2$$

$$V_e = 3360 \text{ mm}^3$$

Approx. weight 17.2 g/set

Ungapped

| Material | A_L value | μ_e | P_V | Ordering code |
|----------|---------------|---------|----------------------------------|-----------------|
| | nH | | W/set | |
| N49 | 3700 +30/-20% | 1000 | < 0.62 (50 mT, 500 kHz, 100 °C) | B65813P0000R049 |
| N92 | 4000 +30/-20% | 1090 | < 1.90 (200 mT, 100 kHz, 100 °C) | B65813P0000R092 |
| N87 | 5200 +30/-20% | 1410 | < 1.72 (200 mT, 100 kHz, 100 °C) | B65813P0000R087 |

Other A_L values/air gaps and materials available on request — see Processing remarks on page 10.

Ferrites and accessories

Cautions and warnings

Mechanical stress and mounting

Ferrite cores have to meet mechanical requirements during assembling and for a growing number of applications. Since ferrites are ceramic materials one has to be aware of the special behavior under mechanical load.

As valid for any ceramic material, ferrite cores are brittle and sensitive to any shock, fast temperature changing or tensile load. Especially high cooling rates under ultrasonic cleaning and high static or cyclic loads can cause cracks or failure of the ferrite cores.

For detailed information see data book, chapter “*General - Definitions, 8.1*”.

Effects of core combination on A_L value

Stresses in the core affect not only the mechanical but also the magnetic properties. It is apparent that the initial permeability is dependent on the stress state of the core. The higher the stresses are in the core, the lower is the value for the initial permeability. Thus the embedding medium should have the greatest possible elasticity.

For detailed information see data book, chapter “*General - Definitions, 8.1*”.

Heating up

Ferrites can run hot during operation at higher flux densities and higher frequencies.

NiZn-materials

The magnetic properties of NiZn-materials can change irreversible in high magnetic fields.

Ferrite Accessories

EPCOS ferrite accessories have been designed and evaluated only in combination with EPCOS ferrite cores. EPCOS explicitly points out that EPCOS ferrite accessories or EPCOS ferrite cores may not be compatible with those of other manufacturers. Any such combination requires prior testing by the customer and will be at the customer’s own risk.

EPCOS assumes no warranty or reliability for the combination of EPCOS ferrite accessories with cores and other accessories from any other manufacturer.

Processing remarks

The start of the winding process should be soft. Else the flanges may be destroyed.

- Too strong winding forces may blast the flanges or squeeze the tube that the cores can not be mounted any more.
- Too long soldering time at high temperature (>300 °C) may effect coplanarity or pin arrangement.
- Not following the processing notes for soldering of the J-leg terminals may cause solderability problems at the transformer because of pollution with Sn oxyde of the tin bath or burned insulation of the wire. For detailed information see chapter “*Processing notes*”, section 2.2.
- The dimensions of the hole arrangement have fixed values and should be understood as a recommendation for drilling the printed circuit board. For dimensioning the pins, the group of holes can only be seen under certain conditions, as they fit into the given hole arrangement. To avoid problems when mounting the transformer, the manufacturing tolerances for positioning the customers’ drilling process must be considered by increasing the hole diameter.

Display of ordering codes for EPCOS products

The ordering code for one and the same product can be represented differently in data sheets, data books, other publications and the website of EPCOS, or in order-related documents such as shipping notes, order confirmations and product labels. **The varying representations of the ordering codes are due to different processes employed and do not affect the specifications of the respective products.** Detailed information can be found on the Internet under www.epcos.com/orderingcodes.

Ferrites and accessories

Symbols and terms

| Symbol | Meaning | Unit |
|---------------------|---|------------------------------|
| A | Cross section of coil | mm ² |
| A _e | Effective magnetic cross section | mm ² |
| A _L | Inductance factor; $A_L = L/N^2$ | nH |
| A _{L1} | Minimum inductance at defined high saturation ($\hat{=} \mu_a$) | nH |
| A _{min} | Minimum core cross section | mm ² |
| A _N | Winding cross section | mm ² |
| A _R | Resistance factor; $A_R = R_{Cu}/N^2$ | $\mu\Omega = 10^{-6} \Omega$ |
| B | RMS value of magnetic flux density | Vs/m ² , mT |
| ΔB | Flux density deviation | Vs/m ² , mT |
| \hat{B} | Peak value of magnetic flux density | Vs/m ² , mT |
| $\Delta \hat{B}$ | Peak value of flux density deviation | Vs/m ² , mT |
| B _{DC} | DC magnetic flux density | Vs/m ² , mT |
| B _R | Remanent flux density | Vs/m ² , mT |
| B _S | Saturation magnetization | Vs/m ² , mT |
| C ₀ | Winding capacitance | F = As/V |
| CDF | Core distortion factor | mm ^{-4.5} |
| DF | Relative disaccommodation coefficient $DF = d/\mu_i$ | |
| d | Disaccommodation coefficient | |
| E _a | Activation energy | J |
| f | Frequency | s ⁻¹ , Hz |
| f _{cutoff} | Cut-off frequency | s ⁻¹ , Hz |
| f _{max} | Upper frequency limit | s ⁻¹ , Hz |
| f _{min} | Lower frequency limit | s ⁻¹ , Hz |
| f _r | Resonance frequency | s ⁻¹ , Hz |
| f _{Cu} | Copper filling factor | |
| g | Air gap | mm |
| H | RMS value of magnetic field strength | A/m |
| \hat{H} | Peak value of magnetic field strength | A/m |
| H _{DC} | DC field strength | A/m |
| H _c | Coercive field strength | A/m |
| h | Hysteresis coefficient of material | 10 ⁻⁶ cm/A |
| h/μ_i^2 | Relative hysteresis coefficient | 10 ⁻⁶ cm/A |
| I | RMS value of current | A |
| I _{DC} | Direct current | A |
| \hat{I} | Peak value of current | A |
| J | Polarization | Vs/m ² |
| k | Boltzmann constant | J/K |
| k ₃ | Third harmonic distortion | |
| k _{3c} | Circuit third harmonic distortion | |
| L | Inductance | H = Vs/A |

Ferrites and accessories
Symbols and terms

| Symbol | Meaning | Unit |
|---------------------|--|--------------------|
| $\Delta L/L$ | Relative inductance change | H |
| L_0 | Inductance of coil without core | H |
| L_H | Main inductance | H |
| L_p | Parallel inductance | H |
| L_{rev} | Reversible inductance | H |
| L_s | Series inductance | H |
| l_e | Effective magnetic path length | mm |
| l_N | Average length of turn | mm |
| N | Number of turns | |
| P_{Cu} | Copper (winding) losses | W |
| P_{trans} | Transferrable power | W |
| P_V | Relative core losses | mW/g |
| PF | Performance factor | |
| Q | Quality factor ($Q = \omega L/R_s = 1/\tan \delta_L$) | |
| R | Resistance | Ω |
| R_{Cu} | Copper (winding) resistance ($f = 0$) | Ω |
| R_h | Hysteresis loss resistance of a core | Ω |
| ΔR_h | R_h change | Ω |
| R_i | Internal resistance | Ω |
| R_p | Parallel loss resistance of a core | Ω |
| R_s | Series loss resistance of a core | Ω |
| R_{th} | Thermal resistance | K/W |
| R_V | Effective loss resistance of a core | Ω |
| s | Total air gap | mm |
| T | Temperature | $^{\circ}\text{C}$ |
| ΔT | Temperature difference | K |
| T_C | Curie temperature | $^{\circ}\text{C}$ |
| t | Time | s |
| t_v | Pulse duty factor | |
| $\tan \delta$ | Loss factor | |
| $\tan \delta_L$ | Loss factor of coil | |
| $\tan \delta_r$ | (Residual) loss factor at $H \rightarrow 0$ | |
| $\tan \delta_e$ | Relative loss factor | |
| $\tan \delta_h$ | Hysteresis loss factor | |
| $\tan \delta/\mu_i$ | Relative loss factor of material at $H \rightarrow 0$ | |
| U | RMS value of voltage | V |
| \hat{U} | Peak value of voltage | V |
| V_e | Effective magnetic volume | mm^3 |
| Z | Complex impedance | Ω |
| Z_n | Normalized impedance $ Z _n = Z /N^2 \times \epsilon (l_e/A_e)$ | Ω/mm |

Ferrites and accessories

Symbols and terms

| Symbol | Meaning | Unit |
|--------------|--|-----------------------------------|
| α | Temperature coefficient (TK) | 1/K |
| α_F | Relative temperature coefficient of material | 1/K |
| α_e | Temperature coefficient of effective permeability | 1/K |
| ϵ_r | Relative permittivity | |
| Φ | Magnetic flux | Vs |
| η | Efficiency of a transformer | |
| η_B | Hysteresis material constant | mT ⁻¹ |
| η_i | Hysteresis core constant | A ⁻¹ H ^{-1/2} |
| λ_s | Magnetostriction at saturation magnetization | |
| μ | Relative complex permeability | |
| μ_0 | Magnetic field constant | Vs/Am |
| μ_a | Relative amplitude permeability | |
| μ_{app} | Relative apparent permeability | |
| μ_e | Relative effective permeability | |
| μ_i | Relative initial permeability | |
| μ_p' | Relative real (inductive) component of $\bar{\mu}$ (for parallel components) | |
| μ_p'' | Relative imaginary (loss) component of $\bar{\mu}$ (for parallel components) | |
| μ_r | Relative permeability | |
| μ_{rev} | Relative reversible permeability | |
| μ_s' | Relative real (inductive) component of $\bar{\mu}$ (for series components) | |
| μ_s'' | Relative imaginary (loss) component of $\bar{\mu}$ (for series components) | |
| μ_{tot} | Relative total permeability derived from the static magnetization curve | |
| ρ | Resistivity | Ωm^{-1} |
| $\Sigma l/A$ | Magnetic form factor | mm^{-1} |
| τ_{Cu} | DC time constant $\tau_{Cu} = L/R_{Cu} = A_L/A_R$ | s |
| ω | Angular frequency; $\omega = 2 \Pi f$ | s ⁻¹ |

All dimensions are given in mm.

SMD Surface-mount device

Important notes

The following applies to all products named in this publication:

1. Some parts of this publication contain **statements about the suitability of our products for certain areas of application**. These statements are based on our knowledge of typical requirements that are often placed on our products in the areas of application concerned. We nevertheless expressly point out **that such statements cannot be regarded as binding statements about the suitability of our products for a particular customer application**. As a rule we are either unfamiliar with individual customer applications or less familiar with them than the customers themselves. For these reasons, it is always ultimately incumbent on the customer to check and decide whether a product with the properties described in the product specification is suitable for use in a particular customer application.
2. We also point out that **in individual cases, a malfunction of electronic components or failure before the end of their usual service life cannot be completely ruled out in the current state of the art, even if they are operated as specified**. In customer applications requiring a very high level of operational safety and especially in customer applications in which the malfunction or failure of an electronic component could endanger human life or health (e.g. in accident prevention or life-saving systems), it must therefore be ensured by means of suitable design of the customer application or other action taken by the customer (e.g. installation of protective circuitry or redundancy) that no injury or damage is sustained by third parties in the event of malfunction or failure of an electronic component.
3. **The warnings, cautions and product-specific notes must be observed.**
4. In order to satisfy certain technical requirements, **some of the products described in this publication may contain substances subject to restrictions in certain jurisdictions (e.g. because they are classed as hazardous)**. Useful information on this will be found in our Material Data Sheets on the Internet (www.tdk-electronics.tdk.com/material). Should you have any more detailed questions, please contact our sales offices.
5. We constantly strive to improve our products. Consequently, **the products described in this publication may change from time to time**. The same is true of the corresponding product specifications. Please check therefore to what extent product descriptions and specifications contained in this publication are still applicable before or when you place an order.

We also **reserve the right to discontinue production and delivery of products**. Consequently, we cannot guarantee that all products named in this publication will always be available. The aforementioned does not apply in the case of individual agreements deviating from the foregoing for customer-specific products.
6. Unless otherwise agreed in individual contracts, **all orders are subject to our General Terms and Conditions of Supply**.
7. **Our manufacturing sites serving the automotive business apply the IATF 16949 standard**. The IATF certifications confirm our compliance with requirements regarding the quality management system in the automotive industry. Referring to customer requirements and customer specific requirements ("CSR") TDK always has and will continue to have the policy of respecting individual agreements. Even if IATF 16949 may appear to support the acceptance of unilateral requirements, we hereby like to emphasize that **only requirements mutually agreed upon can and will be implemented in our Quality Management System**. For clarification purposes we like to point out that obligations from IATF 16949 shall only become legally binding if individually agreed upon.
8. The trade names EPCOS, CeraCharge, CeraDiode, CeraLink, CeraPad, CeraPlas, CSMP, CTVS, DeltaCap, DigiSiMic, ExoCore, FilterCap, FormFit, LeaXield, MiniBlue, MiniCell, MKD, MKK, MotorCap, PCC, PhaseCap, PhaseCube, PhaseMod, PhiCap, PowerHap, PQSine, PQvar, SIFERRIT, SIFI, SIKOREL, SilverCap, SIMDAD, SiMic, SIMID, SineFormer, SIOV, ThermoFuse, WindCap are **trademarks registered or pending** in Europe and in other countries. Further information will be found on the Internet at www.tdk-electronics.tdk.com/trademarks.

Release 2018-10

Mouser Electronics

Authorized Distributor

Click to View Pricing, Inventory, Delivery & Lifecycle Information:

EPCOS / TDK:

[B65814K1012D1](#) [B65814P1012D001](#) [B65813J0000R041](#) [B65814N1008D001](#) [B65813D0400A048](#)
[B65813D0630A048](#) [B65813J0000R030](#) [B65813J0000R049](#) [B65813J0000R097](#) [B65813J0000Y038](#)
[B65813J0250A041](#) [B65813J0630J041](#) [B65813J1600K041](#) [B65813N0400A048](#) [B65813N0630A048](#)
[B65813P0000R049](#) [B65813P0000R087](#) [B65813P0000R092](#) [B65814B2005X000](#) [B65814N1008D002](#)
[B65814N1012D001](#) [B65814B2203X000](#) [B65813J0000R087](#)

Компания «Океан Электроники» предлагает заключение долгосрочных отношений при поставках импортных электронных компонентов на взаимовыгодных условиях!

Наши преимущества:

- Поставка оригинальных импортных электронных компонентов напрямую с производств Америки, Европы и Азии, а так же с крупнейших складов мира;
- Широкая линейка поставок активных и пассивных импортных электронных компонентов (более 30 млн. наименований);
- Поставка сложных, дефицитных, либо снятых с производства позиций;
- Оперативные сроки поставки под заказ (от 5 рабочих дней);
- Экспресс доставка в любую точку России;
- Помощь Конструкторского Отдела и консультации квалифицированных инженеров;
- Техническая поддержка проекта, помощь в подборе аналогов, поставка прототипов;
- Поставка электронных компонентов под контролем ВП;
- Система менеджмента качества сертифицирована по Международному стандарту ISO 9001;
- При необходимости вся продукция военного и аэрокосмического назначения проходит испытания и сертификацию в лаборатории (по согласованию с заказчиком);
- Поставка специализированных компонентов военного и аэрокосмического уровня качества (Xilinx, Altera, Analog Devices, Intersil, Interpoint, Microsemi, Actel, Aeroflex, Peregrine, VPT, Syfer, Eurofarad, Texas Instruments, MS Kennedy, Miteq, Cobham, E2V, MA-COM, Hittite, Mini-Circuits, General Dynamics и др.);

Компания «Океан Электроники» является официальным дистрибьютором и эксклюзивным представителем в России одного из крупнейших производителей разъемов военного и аэрокосмического назначения «JONHON», а так же официальным дистрибьютором и эксклюзивным представителем в России производителя высокотехнологичных и надежных решений для передачи СВЧ сигналов «FORSTAR».



JONHON

«JONHON» (основан в 1970 г.)

Разъемы специального, военного и аэрокосмического назначения:

(Применяются в военной, авиационной, аэрокосмической, морской, железнодорожной, горно- и нефтедобывающей отраслях промышленности)

«FORSTAR» (основан в 1998 г.)

ВЧ соединители, коаксиальные кабели, кабельные сборки и микроволновые компоненты:

(Применяются в телекоммуникациях гражданского и специального назначения, в средствах связи, РЛС, а так же военной, авиационной и аэрокосмической отраслях промышленности).



Телефон: 8 (812) 309-75-97 (многоканальный)

Факс: 8 (812) 320-03-32

Электронная почта: ocean@oceanchips.ru

Web: <http://oceanchips.ru/>

Адрес: 198099, г. Санкт-Петербург, ул. Калинина, д. 2, корп. 4, лит. А