



## Pressure sensors

### Pressure transmitters with casing (current output)

**Series/Type:** CAU-T series  
**Ordering code:**  
Date: 2009-08-03  
Version: 3

© EPCOS AG 2015. Reproduction, publication and dissemination of this publication, enclosures hereto and the information contained therein without EPCOS' prior express consent is prohibited.

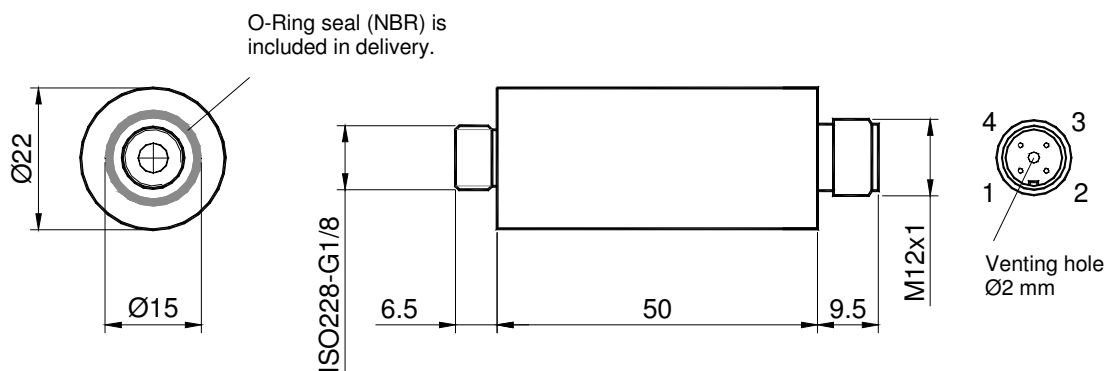
EPCOS AG is a TDK Group Company.

**Description**

- The transmitters are based on piezoresistive silicon pressure sensors from our own clean room.
- The T-series electronic compensates nonlinearity and temperature errors and supplies a precise calibrated output signal with a high immunity against electromagnetic influences (EMI).

**Features**

- Piezoresistive MEMS technology
- Measured media (absolute pressure):  
Air, non-aggressive gases (gas humidity 0 ... 85% r.h., without dew)  
Unsuitable for substances which react with glass, silicon, gold, aluminum, stainless steel, NBR, silicone glue or silicone gel.
- Measured media (gauge pressure):  
Air, non-aggressive gases (gas humidity 0 ... 100% r.h.) and non-aggressive fluids.  
Unsuitable for substances which react with glass, silicon, stainless steel, NBR, silicone glue ( $p_r \leq 10$  bar) or epoxy glue ( $p_r > 10$  bar).
- 2-wire current output proportional to pressure: 4 ... 20 mA
- Reverse supply voltage protection
- RoHS-compatible, halogen-free
- Compact stainless steel casing (protection IP65) with G1/8" thread


**Dimensional drawings**


All dimensions in mm

A shielded 4-pole cable (2 m) with a modified (pressure equalization) female M12 locking plug is included in delivery.

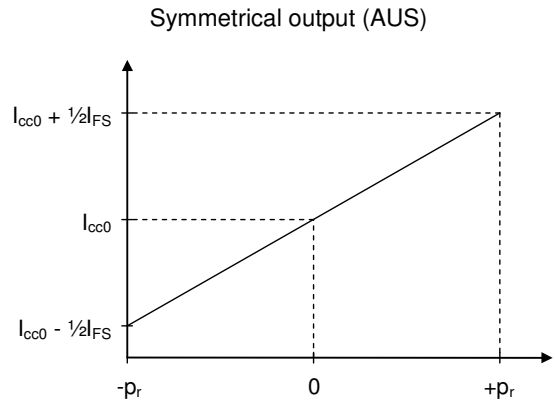
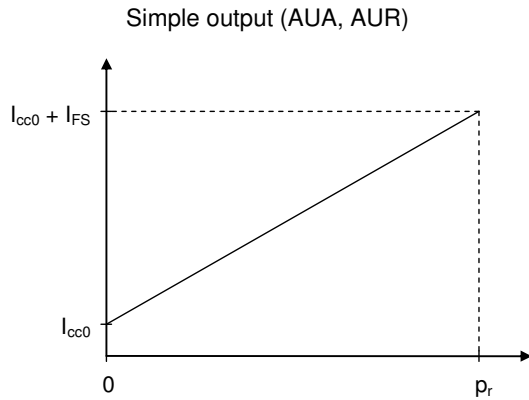
**Pressure sensors**
**Pressure transmitters with casing (current output)**
**CAU-T series**
**Technical data**
**Absolute maximum ratings**

Parameter	Symbol	Conditions	Min.	Typ.	Max.	Unit
<b>Temperature ranges</b>						
Storage temperature range	$T_{st}$	1)	-30		+85	°C
Operating temperature range	$T_a$	2)	-25		+85	°C
Compensated temperature range	$T_c$	3)	0		+70	°C
Soldering temperature (cable)	$T_{solder}$	<5 s (no reflow soldering)			+240	°C
<b>Pressure ranges</b>						
Overpressure	$p_{ov}$	4), 5)	1.5			$p_r$
<b>Supply voltage /-current</b>						
Supply voltage	$V_{CC}$	See connection diagram 6)	10		30	V
Current limit ( $p \gg p_r$ )	$I_{CCMAX}$		23			mA
Output signal at sensor failure	$I_{ERR}$				3	mA
Working resistance	$R_L$	See connection diagram 7)			1000	Ohm
DC break down voltage	$V_{is}$	8)	500			V

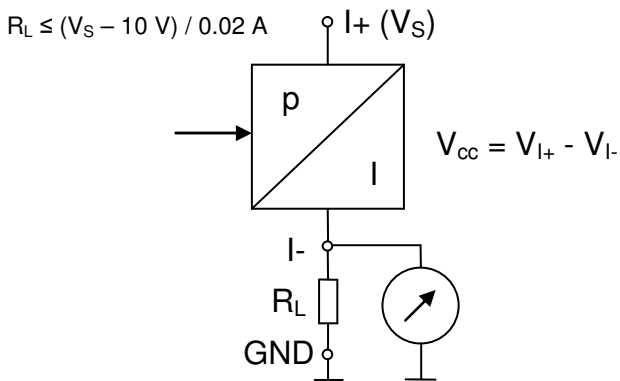
Parameter	Symbol	Conditions	Min.	Typ.	Max.	Unit
<b>Output signal @ <math>T_a = 25 \text{ °C}</math>, <math>V_S = 15 \text{ V}</math>, <math>R_L = 100 \text{ } \Omega</math></b>						
Offset	$I_{CC0}$	Simple output AUA, AUR 9)	3.92	4.0	4.08	mA
		Symmetrical output AUS 9)	11.92	12.0	12.08	mA
Signal span (Full Scale)	$I_{FS}$	10)	15.92	16.0	16.08	mA
Nonlinearity	L	Simple output 10), 11)		$\pm 0.1$	$\pm 0.25$	% FS
		Symmetrical output 10), 11)		$\pm 0.25$	$\pm 0.5$	% FS
Response time	$t_{10-90}$	12)		1		ms
Supply voltage rejection	SVR	10), 13)			$\pm 0.01$	% FS/V

Parameter	Symbol	Conditions	Min.	Typ.	Max.	Unit
<b>Data in temperature range @ <math>T_a = -25 \dots 85 \text{ °C}</math>, <math>V_S = 15 \text{ V}</math>, <math>R_L = 100 \text{ } \Omega</math></b>						
Temperature hysteresis		14)		$\pm 0.1$	$\pm 0.5$	% FS
<b>Data in temperature range @ <math>T_a = 0 \dots 70 \text{ °C}</math>, <math>V_S = 15 \text{ V}</math>, <math>R_L = 100 \text{ } \Omega</math></b>						
Temperature coefficient of offset	$TCI_{CC0}$	$p_r < 0.25 \text{ bar}^{15)}$		$\pm 0.015$	$\pm 0.05$	% FS/K
		$p_r \geq 0.25 \text{ bar}^{15)}$		$\pm 0.015$	$\pm 0.03$	% FS/K
Temperature coefficient of span	$TCI_{FS}$	16)		$\pm 0.015$	$\pm 0.03$	% FS/K

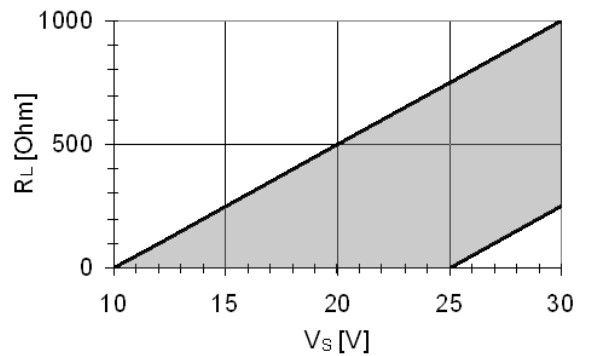
Characteristics



Connection diagram and conditions

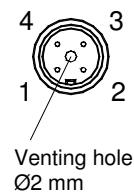


$R_L$  range depending on  $V_S$  for proper operation



Terminal assignment

Electrical connection	Symbol	Pin (color)
Positive supply voltage	$I+$ ( $V_{CC}$ )	1 (brown)
Negative supply voltage	$I-$	3 (blue)



**Pressure sensors**
**Pressure transmitters with casing (current output)**
**CAU-T series**
**Rated pressures and ordering codes**

Pressure measurement	Absolute					Gauge					Gauge, symmetrical						
Rated pressure $p_r$ bar	1.000	2.500	6.000	10.00	25.00	0.100	0.250	0.400	1.000	2.500	6.000	10.00	25.00	0.100	0.250	0.400	1.000
Product type	AJA 1.000 F C4 TN H S2.0	AJA 2.500 F C4 TN H S2.0	AJA 6.000 F C4 TN H S2.0	AJA 10.00 F C4 TN H S2.0	AJA 25.00 F C4 TN H S2.0	AUR 0.100 F C4 TN H S2.0	AUR 0.250 F C4 TN H S2.0	AUR 0.400 F C4 TN H S2.0	AUR 1.000 F C4 TN H S2.0	AUR 2.500 F C4 TN H S2.0	AUR 6.000 F C4 TN H S2.0	AUR 10.00 F C4 TN H S2.0	AUR 25.00 F C4 TN H S2.0	AUS 0.100 F C4 TN H S2.0	AUS 0.250 F C4 TN H S2.0	AUS 0.400 F C4 TN H S2.0	AUS 1.000 F C4 TN H S2.0
Ordering code	B58620H5820A035	B58620H5820A036	B58620H5820A037	B58620H5820A038	B58620H5820A039	B58621H5820A040	B58621H5820A041	B58621H5820A042	B58621H5820A043	B58621H5820A044	B58621H5820A045	B58621H5820A046	B58621H5820A047	B58623H5820A048	B58623H5820A049	B58623H5820A050	B58623H5820A051

Other rated pressures upon request.

**Symbols and terms**

- 1) **Storage temperature range  $T_{st}$**   
A storage of the pressure sensor within the temperature range  $T_{st,min}$  up to  $T_{st,max}$  and without applied pressure and supply voltage will not affect the performance of the pressure sensor.
- 2) **Operating temperature range  $T_a$**   
An operation of the pressure sensor within the temperature range  $T_{a,min}$  up to  $T_{a,max}$  will not affect the performance of the pressure sensor.
- 3) **Compensated temperature range  $T_c$**   
While operating the pressure sensor within the temperature range  $T_{c,min}$  up to  $T_{c,max}$ , the deviation of the output signal from the values at 25 °C will not exceed the temperature coefficients. Out of the compensated temperature range, the deviations may increase.
- 4) **Rated pressure  $p_r$**   
Within the rated pressure range 0 up to  $p_r$  (symmetrical output:  $-p_r$  up to  $+p_r$ ) the signal output characteristic corresponds to this specification.
- 5) **Overpressure  $p_{ov}$**   
Pressure cycles within the pressure range 0 up to  $p_{ov}$  will not affect the performance of the pressure sensor.
- 6) **Supply voltage  $V_{CC}$**   
 $V_{CC,max}$  is the maximum permissible supply voltage, which can be applied without damages.  
 $V_{CC,min}$  is the minimum required supply voltage, which has to be applied for normal operation.
- 7) **Working resistance  $R_L$**   
Depending on  $V_S$ , the maximum working resistance is  $R_L \leq (V_S - 10 \text{ V}) / 0.02 \text{ A}$ .
- 8) **DC break down voltage  $V_{is}$**   
The pressure sensor withstands a high voltage between the stainless steel casing and the electrical connection I+ and I- (short circuited) without damage.
- 9) **Offset  $I_{CC0}$**   
The offset  $I_{CC0}$  is the signal output  $I_{CC}(p = 0)$  at zero pressure.
- 10) **Signal span (Full Scale)**  
Simple output:  $I_{FS} = FS = I_{CC}(p_r) - I_{CC0}$   
Symmetrical output:  $I_{FS} = FS = I_{CC}(+p_r) - I_{CC}(-p_r)$
- 11) **Nonlinearity L (including pressure hysteresis)**  
The nonlinearity is the deviation of the real sensor characteristic  $I_{CC} = f(p)$  from the ideal straight line. It can be approximated by a polynomial of second order, with the maximum at  $p_x = p_r / 2$ . The equation to calculate the nonlinearity is:

$$L = \frac{I_{CC}(p_x) - I_{CC0} - \frac{p_x}{p_r} (I_{CC}(p_r) - I_{CC0})}{I_{CC}(p_r) - I_{CC0}}$$

- 12) **Response time  $t_{10-90}$**   
Delay between a pressure change (10 ... 90%  $p_r$ ) and the corresponding signal output change (10 ... 90% FS).
- 13) **Supply voltage rejection SVR**  
While varying the supply voltage within the range  $V_{CC,min}$  up to  $V_{CC,max}$  at constant pressure and temperature, the signal output change will not exceed  $SVR_{max}$ .
- 14) **Temperature hysteresis**  
The temperature hysteresis is the change of offset, starting from the value at 25 °C after a temperature change and return to 25 °C. Determined during temperature cycles in operating temperature range (cycles with 1 K/min).
- 15) **Temperature coefficient of offset  $TCl_{CC0}$**   
Offset at temperature  $T_x$ :  $I_{CC0}(T_x) = I_{CC0}(25 \text{ °C}) + I_{FS}(25 \text{ °C}) \cdot (T_x - 25 \text{ °C}) \cdot TCl_{CC0}$   
Values are valid within the compensated temperature range  $T_{c,min}$  up to  $T_{c,max}$   
Out of the compensated temperature range, the deviation may increase.
- 16) **Temperature coefficient of span  $TCl_{FS}$**   
Span at temperature  $T_x$ :  $I_{FS}(T_x) = I_{FS}(25 \text{ °C}) \cdot [1 + (T_x - 25 \text{ °C}) \cdot TCl_{FS}]$   
Values are valid within the compensated temperature range  $T_{c,min}$  up to  $T_{c,max}$   
Out of the compensated temperature range, the deviation may increase.

## Cautions and warnings

### Storage (general)

All pressure sensors should be stored in their original packaging. They should not be placed in harmful environments such as corrosive gases nor exposed to heat or direct sunlight, which may cause deformations. Similar effects may result from extreme storage temperatures and climatic conditions. Avoid storing the sensor dies in an environment where condensation may form or in a location exposed to corrosive gases, which will adversely affect their performance. Plastic materials should not be used for wrapping/packing when storing or transporting these dies, as they may become charged. Pressure sensor dies should be used soon after opening their seal and packaging.

### Operation (general)

Media compatibility with the pressure sensors must be ensured to prevent their failure. The use of other media can cause damage and malfunction. Never use pressure sensors in atmospheres containing explosive liquids or gases.

Ensure pressure equalization to the environment, if gauge pressure sensors are used. Avoid operating the pressure sensors in an environment where condensation may form or in a location exposed to corrosive gases. These environments adversely affect their performance.

If the operating pressure is not within the rated pressure range, it may change the output characteristics. This may also happen with pressure sensor dies if an incorrect mounting method is used. Be sure that the applicable pressure does not exceed the overpressure, as it may damage the pressure sensor.

Do not exceed the maximum rated supply voltage nor the rated storage temperature range, as it may damage the pressure sensor.

Temperature variations in both the ambient conditions and the media (liquid or gas) can affect the accuracy of the output signal from the pressure sensors. Be sure to check the operating temperature range and thermal error specification of the pressure sensors to determine their suitability for the application.

Connections must be wired in accordance with the terminal assignment specified in the data sheets. Care should be taken as reversed pin connections can damage the pressure transmitters or degrade their performance. Contact between the pressure sensor terminals and metals or other materials may cause errors in the output characteristics.

### Design notes (dies)

This specification describes the mechanical, electrical and physical requirements of a piezoresistive sensor die for measuring pressure. The specified parameters are valid for the pressure sensor die with pressure application either to the front or back side of the diaphragm as described in the data sheet. Pressure application to the other side may result in differing data. Most of the parameters are influenced by assembly conditions. Hence these parameters and the reliability have to be specified for each specific application and tested over its temperature range by the customer.

### Handling/Mounting (dies)

Pressure sensor dies should be handled appropriately and not be touched with bare hands. They should only be picked up manually by the sides using tweezers. Their top surface should never be touched with tweezers. Latex gloves should not be used for handling them, as this will inhibit the curing of the adhesive used to bond the die to the carrier. When handling, be careful to avoid cuts caused by the sharp-edged terminals. The sensor die must not be contaminated during manufacturing processes (gluing, soldering, silk-screen process).

The package of pressure sensor dies should not to be opened until the die is mounted and should be closed after use. The sensor die must not be cleaned. The sensor die must not be damaged during the assembly process (especially scratches on the diaphragm).

### Soldering (transducers, transmitters)

The thermal capacity of pressure sensors is normally low, so steps should be taken to minimize the effects of external heat. High temperatures may lead to damage or changes in characteristics.

A non-corrosive type of flux resin should normally be used and complete removal of the flux is recommended. Avoid rapid cooling due to dipping in solvent. Note that the output signal may change if pressure is applied to the terminals during soldering.

This listing does not claim to be complete, but merely reflects the experience of EPCOS AG.

## Important notes

The following applies to all products named in this publication:

1. Some parts of this publication contain **statements about the suitability of our products for certain areas of application**. These statements are based on our knowledge of typical requirements that are often placed on our products in the areas of application concerned. We nevertheless expressly point out **that such statements cannot be regarded as binding statements about the suitability of our products for a particular customer application**. As a rule we are either unfamiliar with individual customer applications or less familiar with them than the customers themselves. For these reasons, it is always ultimately incumbent on the customer to check and decide whether a product with the properties described in the product specification is suitable for use in a particular customer application.
2. We also point out that **in individual cases, a malfunction of electronic components or failure before the end of their usual service life cannot be completely ruled out in the current state of the art, even if they are operated as specified**. In customer applications requiring a very high level of operational safety and especially in customer applications in which the malfunction or failure of an electronic component could endanger human life or health (e.g. in accident prevention or life-saving systems), it must therefore be ensured by means of suitable design of the customer application or other action taken by the customer (e.g. installation of protective circuitry or redundancy) that no injury or damage is sustained by third parties in the event of malfunction or failure of an electronic component.
3. **The warnings, cautions and product-specific notes must be observed.**
4. In order to satisfy certain technical requirements, **some of the products described in this publication may contain substances subject to restrictions in certain jurisdictions (e.g. because they are classed as hazardous)**. Useful information on this will be found in our Material Data Sheets on the Internet ([www.tdk-electronics.tdk.com/material](http://www.tdk-electronics.tdk.com/material)). Should you have any more detailed questions, please contact our sales offices.
5. We constantly strive to improve our products. Consequently, **the products described in this publication may change from time to time**. The same is true of the corresponding product specifications. Please check therefore to what extent product descriptions and specifications contained in this publication are still applicable before or when you place an order.  
  
We also **reserve the right to discontinue production and delivery of products**. Consequently, we cannot guarantee that all products named in this publication will always be available. The aforementioned does not apply in the case of individual agreements deviating from the foregoing for customer-specific products.
6. Unless otherwise agreed in individual contracts, **all orders are subject to our General Terms and Conditions of Supply.**
7. **Our manufacturing sites serving the automotive business apply the IATF 16949 standard.** The IATF certifications confirm our compliance with requirements regarding the quality management system in the automotive industry. Referring to customer requirements and customer specific requirements ("CSR") TDK always has and will continue to have the policy of respecting individual agreements. Even if IATF 16949 may appear to support the acceptance of unilateral requirements, we hereby like to emphasize that **only requirements mutually agreed upon can and will be implemented in our Quality Management System**. For clarification purposes we like to point out that obligations from IATF 16949 shall only become legally binding if individually agreed upon.
8. The trade names EPCOS, CeraCharge, CeraDiode, CeraLink, CeraPad, CeraPlas, CSMP, CTVS, DeltaCap, DigiSiMic, ExoCore, FilterCap, FormFit, LeaXield, MiniBlue, MiniCell, MKD, MKK, MotorCap, PCC, PhaseCap, PhaseCube, PhaseMod, PhiCap, PowerHap, PQSine, PQvar, SIFERRIT, SIFI, SIKOREL, SilverCap, SIMDAD, SiMic, SIMID, SineFormer, SIOV, ThermoFuse, WindCap are **trademarks registered or pending** in Europe and in other countries. Further information will be found on the Internet at [www.tdk-electronics.tdk.com/trademarks](http://www.tdk-electronics.tdk.com/trademarks).

Release 2018-10



# Mouser Electronics

Authorized Distributor

Click to View Pricing, Inventory, Delivery & Lifecycle Information:

## EPCOS / TDK:

[B58621H5820A040](#) [B58621H5820A046](#) [B58621H5820A043](#) [B58620H5820A037](#) [B58620H5820A039](#)  
[B58620H5820A035](#) [B58620H5820A038](#) [B58621H5820A045](#) [B58621H5820A042](#) [B58621H5820A047](#)

Компания «Океан Электроники» предлагает заключение долгосрочных отношений при поставках импортных электронных компонентов на взаимовыгодных условиях!

Наши преимущества:

- Поставка оригинальных импортных электронных компонентов напрямую с производств Америки, Европы и Азии, а так же с крупнейших складов мира;
- Широкая линейка поставок активных и пассивных импортных электронных компонентов (более 30 млн. наименований);
- Поставка сложных, дефицитных, либо снятых с производства позиций;
- Оперативные сроки поставки под заказ (от 5 рабочих дней);
- Экспресс доставка в любую точку России;
- Помощь Конструкторского Отдела и консультации квалифицированных инженеров;
- Техническая поддержка проекта, помощь в подборе аналогов, поставка прототипов;
- Поставка электронных компонентов под контролем ВП;
- Система менеджмента качества сертифицирована по Международному стандарту ISO 9001;
- При необходимости вся продукция военного и аэрокосмического назначения проходит испытания и сертификацию в лаборатории (по согласованию с заказчиком);
- Поставка специализированных компонентов военного и аэрокосмического уровня качества (Xilinx, Altera, Analog Devices, Intersil, Interpoint, Microsemi, Actel, Aeroflex, Peregrine, VPT, Syfer, Eurofarad, Texas Instruments, MS Kennedy, Miteq, Cobham, E2V, MA-COM, Hittite, Mini-Circuits, General Dynamics и др.);

Компания «Океан Электроники» является официальным дистрибьютором и эксклюзивным представителем в России одного из крупнейших производителей разъемов военного и аэрокосмического назначения «JONHON», а так же официальным дистрибьютором и эксклюзивным представителем в России производителя высокотехнологичных и надежных решений для передачи СВЧ сигналов «FORSTAR».



## JONHON

«JONHON» (основан в 1970 г.)

Разъемы специального, военного и аэрокосмического назначения:

(Применяются в военной, авиационной, аэрокосмической, морской, железнодорожной, горно- и нефтедобывающей отраслях промышленности)

«FORSTAR» (основан в 1998 г.)

ВЧ соединители, коаксиальные кабели, кабельные сборки и микроволновые компоненты:

(Применяются в телекоммуникациях гражданского и специального назначения, в средствах связи, РЛС, а так же военной, авиационной и аэрокосмической отраслях промышленности).



Телефон: 8 (812) 309-75-97 (многоканальный)

Факс: 8 (812) 320-03-32

Электронная почта: [ocean@oceanchips.ru](mailto:ocean@oceanchips.ru)

Web: <http://oceanchips.ru/>

Адрес: 198099, г. Санкт-Петербург, ул. Калинина, д. 2, корп. 4, лит. А