

NB7L585

2.5V / 3.3V Differential 2:1 Mux Input to 1:6 LVPECL Clock/Data Fanout Buffer / Translator

Multi-Level Inputs w/ Internal Termination

Description

The NB7L585 is a differential 1:6 LVPECL Clock/Data distribution chip featuring a 2:1 Clock/Data input multiplexer with an input select pin. The IN_x/\overline{IN}_x inputs incorporate internal $50\ \Omega$ termination resistors and will accept LVPECL, CML, or LVDS logic levels.

The NB7L585 produces six identical output copies of Clock or Data operating up to 5 GHz or 8 Gb/s, respectively. As such, NB7L585 is ideal for SONET, GigE, Fiber Channel, Backplane and other Clock/Data distribution applications.

The NB7L585 is powered with either 2.5 V or 3.3 V supply and is offered in a low profile 5mm x 5mm 32-pin QFN package.

Application notes, models, and support documentation are available at www.onsemi.com.

The NB7L585 is a member of the GigaComm™ family of high performance clock products.

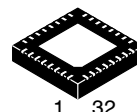
Features

- Maximum Input Data Rate > 8 Gb/s
- Data Dependent Jitter < 15 ps
- Maximum Input Clock Frequency > 5 GHz
- Random Clock Jitter < 0.8 ps RMS
- Low Skew 1:6 LVPECL Outputs, 20 ps max
- 2:1 Multi-Level Mux Inputs
- 175 ps Typical Propagation Delay
- 55 ps Typical Rise and Fall Times
- Differential LVPECL Outputs, 800 mV peak-to-peak, typical
- Operating Range: $V_{CC} = 2.375\text{ V to }3.6\text{ V}$ with $GND = 0\text{ V}$
- Internal $50\ \Omega$ Input Termination Resistors
- VREFAC Reference Output
- QFN-32 Package, 5mm x 5mm
- $-40^\circ\text{C to }+85^\circ\text{C}$ Ambient Operating Temperature
- These Devices are Pb-Free and are RoHS Compliant



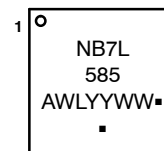
ON Semiconductor®

<http://onsemi.com>



QFN32
MN SUFFIX
CASE 488AM

MARKING DIAGRAM



A = Assembly Location
WL = Wafer Lot
YY = Year
WW = Work Week
▪ = Pb-Free Package

(Note: Microdot may be in either location)

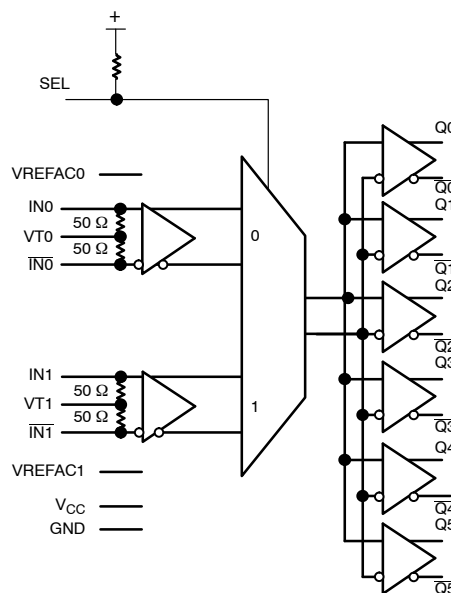


Figure 1. Simplified Block Diagram

ORDERING INFORMATION

See detailed ordering and shipping information on page 8 of this data sheet.

NB7L585

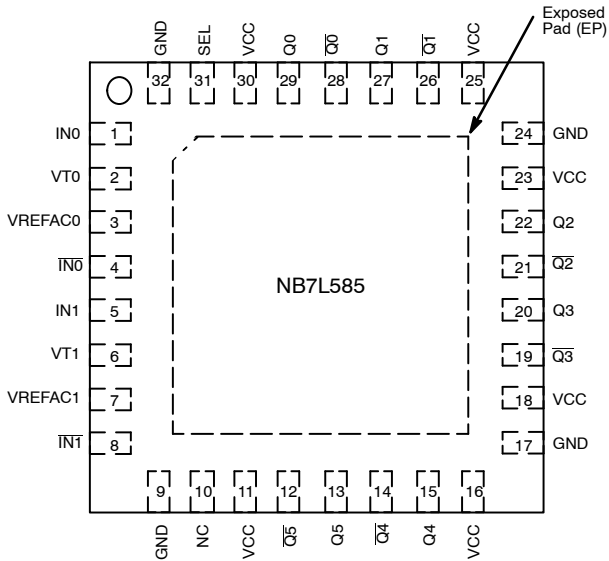


Figure 2. Pinout: QFN-32 (Top View)

Table 1. INPUT SELECT FUNCTION TABLE

SEL*	CLK Input Selected
0	IN0
1	IN1

*Defaults HIGH when left open.

Table 2. PIN DESCRIPTION

Pin Number	Pin Name	I/O	Pin Description
1,4 5,8	IN0, $\overline{\text{IN0}}$ IN1, $\overline{\text{IN1}}$	LVPECL, CML, LVDS Input	Non-inverted, Inverted, Differential Data Inputs internally biased to $V_{CC}/2$
2,6	VT0, VT1		Internal 100 Ω Center-tapped Termination Pin for IN0 / $\overline{\text{IN0}}$ and IN1 / $\overline{\text{IN1}}$
31	SEL	LVTTTL/LVCMOS Input	Input Select pin; LOW for IN0 Inputs, HIGH for IN1 Inputs; defaults HIGH when left open
10	NC	-	No Connect
11, 16, 18 23, 25, 30	V_{CC}	-	Positive Supply Voltage. All V_{CC} pins must be connected to the positive power supply for correct DC and AC operation.
29, 28 27, 26 22, 21 20, 19 15, 14 13, 12	Q0, $\overline{\text{Q0}}$ Q1, $\overline{\text{Q1}}$ Q2, $\overline{\text{Q2}}$ Q3, $\overline{\text{Q3}}$ Q4, $\overline{\text{Q4}}$ Q5, $\overline{\text{Q5}}$	LVPECL Output	Non-inverted, Inverted Differential Outputs Note 1.
9, 17, 24, 32	GND		Negative Supply Voltage, connected to Ground
3 7	VREFAC0 VREFAC1	-	Output Voltage Reference for Capacitor-Coupled Inputs
-	EP	-	The Exposed Pad (EP) on the QFN-32 package bottom is thermally connected to the die for improved heat transfer out of package. The exposed pad must be attached to a heat-sinking conduit. The pad is electrically connected to the die, and must be electrically and thermally connected to GND on the PC board.

1. In the differential configuration when the input termination pins (VT0, VT1) are connected to a common termination voltage or left open, and if no signal is applied on INn/ $\overline{\text{INn}}$ input, then the device will be susceptible to self-oscillation.
2. All V_{CC} and GND pins must be externally connected to a power supply for proper operation.

NB7L585

Table 3. ATTRIBUTES

Characteristics		Value
ESD Protection	Human Body Model Machine Model	> 2 kV > 200 V
R _{PU} – SEL Input Pullup Resistor		75 kΩ
Moisture Sensitivity (Note 3)	QFN–32	Level 1
Flammability Rating	Oxygen Index: 28 to 34	UL 94 V–0 @ 0.125 in
Transistor Count		288
Meets or exceeds JEDEC Spec EIA/JESD78 IC Latchup Test		

3. For additional information, see Application Note AND8003/D.

Table 4. MAXIMUM RATINGS

Symbol	Parameter	Condition 1	Condition 2	Rating	Unit
V _{CC}	Positive Power Supply	GND = 0 V		+4.0	V
V _{IO}	Input/Output Voltage	GND = 0 V		–0.5 to V _{CC} +0.5	V
V _{INPP}	Differential Input Voltage I _N – I _N			1.89	V
I _{IN}	Input Current Through R _T (50 Ω Resistor)			± 40	mA
I _{out}	Output Current	Continuous Surge		50 100	mA
I _{VREFAC}	VREFAC Sink or Source Current			± 1.5	mA
T _A	Operating Temperature Range			–40 to +85	°C
T _{stg}	Storage Temperature Range			–65 to +150	°C
θ _{JA}	Thermal Resistance (Junction–to–Ambient) (Note 4)	0 lfpm 500 lfpm	QFN32 QFN32	31 27	°C/W
θ _{JC}	Thermal Resistance (Junction–to–Case) (Note 4)		QFN32	12	°C/W
T _{sol}	Wave Solder			265	°C

Stresses exceeding Maximum Ratings may damage the device. Maximum Ratings are stress ratings only. Functional operation above the Recommended Operating Conditions is not implied. Extended exposure to stresses above the Recommended Operating Conditions may affect device reliability.

4. JEDEC standard multilayer board – 2S2P (2 signal, 2 power) with 8 filled thermal vias under exposed pad.

NB7L585

Table 5. DC CHARACTERISTICS POSITIVE LVPECL OUTPUT $V_{CC} = 2.375\text{ V to }3.6\text{ V}$; $GND = 0\text{ V}$; $T_A = -40^\circ\text{C to }85^\circ\text{C}$
(Note 5)

Symbol	Characteristic	Min	Typ	Max	Unit
--------	----------------	-----	-----	-----	------

POWER SUPPLY

V_{CC}	Power Supply Voltage	$V_{CC} = 3.3\text{ V}$ $V_{CC} = 2.5\text{ V}$	3.0 2.375	3.3 2.5	3.6 2.625	V
I_{CC}	Power Supply Current (Inputs and Outputs Open)			185	225	mA

LVPECL Outputs

V_{OH}	Output HIGH Voltage (Note 6)	$V_{CC} = 3.3\text{ V}$ $V_{CC} = 2.5\text{ V}$	$V_{CC} - 1145$ 2155 1355		$V_{CC} - 800$ 2500 1700	mV
V_{OL}	Output LOW Voltage (Note 6)	$V_{CC} = 3.3\text{ V}$ $V_{CC} = 2.5\text{ V}$	$V_{CC} - 2000$ 1300 500		$V_{CC} - 1500$ 1800 1000	mV

DIFFERENTIAL CLOCK INPUTS DRIVEN SINGLE-ENDED (Note 7) (Figures 5 & 6)

V_{IH}	Single-ended Input HIGH Voltage		$V_{th} + 100$		V_{CC}	mV
V_{IL}	Single-ended Input LOW Voltage		GND		$V_{th} - 100$	mV
V_{th}	Input Threshold Reference Voltage Range (Note 8)		1100		$V_{CC} - 100$	mV
V_{ISE}	Single-ended Input Voltage ($V_{IH} - V_{IL}$)		200		1200	mV

VREFACx (for Capacitor- Coupled Inputs, Only)

V_{REFAC}	Output Reference Voltage @100 μA for Capacitor- Coupled Inputs, Only		$V_{CC} - 1500$	$V_{CC} - 1200$	$V_{CC} - 1000$	mV
-------------	---	--	-----------------	-----------------	-----------------	----

DIFFERENTIAL INPUTS DRIVEN DIFFERENTIALLY (Figures 7 & 8) (Note 9)

V_{IHD}	Differential Input HIGH Voltage (I_N, \bar{I}_N)		1200		V_{CC}	mV
V_{ILD}	Differential Input LOW Voltage (I_N, \bar{I}_N)		GND		$V_{IHD} - 100$	mV
V_{ID}	Differential Input Voltage (I_N, \bar{I}_N) ($V_{IHD} - V_{ILD}$)		100		1200	mV
V_{CMR}	Input Common Mode Range (Differential Configuration, Note 10) (Figure 9)		1050		$V_{CC} - 50$	mV
I_{IH}	Input HIGH Current I_N/\bar{I}_N (V_{TIN}/\bar{V}_{TIN} Open)		-150		150	μA
I_{IL}	Input LOW Current I_N/\bar{I}_N (V_{TIN}/\bar{V}_{TIN} Open)		-150		150	μA

CONTROL INPUT (SEL Pin)

V_{IH}	Input HIGH Voltage for Control Pin		2.0		V_{CC}	mV
V_{IL}	Input LOW Voltage for Control Pin		GND		0.8	mV
I_{IH}	Input HIGH Current		-150		150	μA
I_{IL}	Input LOW Current		-150		150	μA

TERMINATION RESISTORS

R_{TIN}	Internal Input Termination Resistor (Measured from I_N to V_{Tx})		45	50	55	Ω
-----------	--	--	----	----	----	----------

NOTE: Device will meet the specifications after thermal equilibrium has been established when mounted in a test socket or printed circuit board with maintained transverse airflow greater than 500 lpm. Electrical parameters are guaranteed only over the declared operating temperature range. Functional operation of the device exceeding these conditions is not implied. Device specification limit values are applied individually under normal operating conditions and not valid simultaneously.

- Input and output parameters vary 1:1 with V_{CC} .
- LVPECL outputs (Q_n/\bar{Q}_n) loaded with $50\ \Omega$ to $V_{CC} - 2\text{ V}$ for proper operation.
- V_{th} , V_{IH} , V_{IL} , and V_{ISE} parameters must be complied with simultaneously.
- V_{th} is applied to the complementary input when operating in single-ended mode.
- V_{IHD} , V_{ILD} , V_{ID} and V_{CMR} parameters must be complied with simultaneously.
- V_{CMR} min varies 1:1 with GND, V_{CMR} max varies 1:1 with V_{CC} . The V_{CMR} range is referenced to the most positive side of the differential input signal.

NB7L585

Table 6. AC CHARACTERISTICS $V_{CC} = 2.375\text{ V to }3.6\text{ V}$; $GND = 0\text{ V}$; $T_A = -40^\circ\text{C to }85^\circ\text{C}$ (Note 11)

Symbol	Characteristic	Min	Typ	Max	Unit	
f_{MAX}	Maximum Input Clock Frequency; $V_{OUTpp} \geq 400\text{ mV}$	5	7		GHz	
$f_{DATAMAX}$	Maximum Operating Data Rate (PRBS23)	8	10		Gbps	
f_{SEL}	Maximum Toggle Frequency, SEL	1.0	1.5		GHz	
V_{OUTpp}	Output Voltage Amplitude (@ $V_{INPPmin}$) (Note 12) (Figures 8 and 10)	$f_{in} \leq 4\text{ GHz}$ 400	800 650		mV	
t_{PLH} , t_{PHL}	Propagation Delay to Differential Outputs, @ 1 GHz, measured at differential crosspoint	IN/\overline{IN} to Q/\overline{Q} SEL to Q	125 75	175 200	250 300	ps
$t_{PLH\ TC}$	Propagation Delay Temperature Coefficient		50		$\Delta fs/^\circ C$	
tskew	Output – Output skew (within device) (Note 13) Device – Device skew (tpd max – tpdmin)			20 100	ps	
t_{DC}	Output Clock Duty Cycle (Reference Duty Cycle = 50%)	$f_{in} \leq 5.0\text{ GHz}$	45	50	55	%
Φ_N	Phase Noise, $f_{in} = 1\text{ GHz}$	10 kHz 100 kHz 1 MHz 10 MHz 20 MHz 40 MHz		-135 -137 -149 -150 -150 -151		dBc
$t_{f\Phi N}$	Integrated Phase Jitter (Figure x) $f_{in} = 1\text{ GHz}$, 12 kHz – 20 MHz Offset (RMS)		36		fs	
t_{JITTER}	RJ – Output Random Jitter (Note 14) DJ – Residual Output Deterministic Jitter (Note 15)	$f_{in} \leq 5.0\text{ GHz}$ $\leq 8\text{ Gbps}$		0.2 5	0.8 15	ps rms ps pk-pk
	Crosstalk Induced Jitter (Adjacent Channel) (Note 17)			0.7	psRMS	
V_{INPP}	Input Voltage Swing (Differential Configuration) (Note 16)	100		1200	mV	
t_r , t_f	Output Rise/Fall Times @ 1 GHz (20% – 80%), Q, \overline{Q}	25	55	85	ps	

NOTE: Device will meet the specifications after thermal equilibrium has been established when mounted in a test socket or printed circuit board with maintained transverse airflow greater than 500 lfm. Electrical parameters are guaranteed only over the declared operating temperature range. Functional operation of the device exceeding these conditions is not implied. Device specification limit values are applied individually under normal operating conditions and not valid simultaneously.

11. Measured using a 400 mV pk-pk source, 50% duty cycle clock source. All output loading with external $50\ \Omega$ to $V_{CC} - 2\text{ V}$. Input edge rates 40 ps (20% – 80%).
12. Output voltage swing is a single-ended measurement operating in differential mode.
13. Skew is measured between outputs under identical transitions and conditions. Duty cycle skew is defined only for differential operation when the delays are measured from cross-point of the inputs to the crosspoint of the outputs.
14. Additive RMS jitter with 50% duty cycle clock signal.
15. Additive Peak-to-Peak data dependent jitter with input NRZ data at PRBS23.
16. Input voltage swing is a single-ended measurement operating in differential mode.
17. Crosstalk is measured at the output while applying two similar clock frequencies that are asynchronous with respect to each other at the inputs.

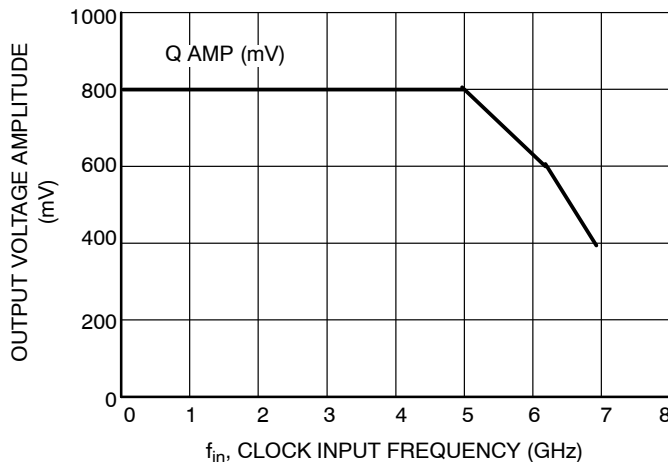


Figure 3. Clock Output Voltage Amplitude (V_{OUTpp}) vs. Input Frequency (f_{in}) at Ambient Temperature (Typical)

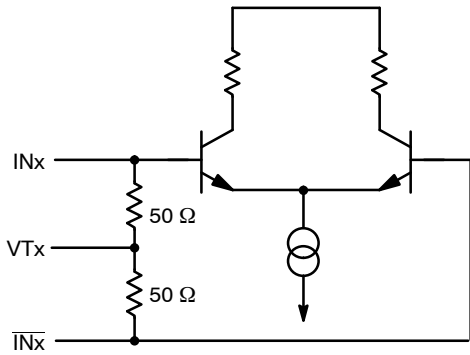


Figure 4. Input Structure

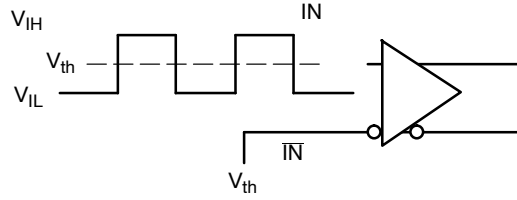


Figure 5. Differential Input Driven Single-Ended

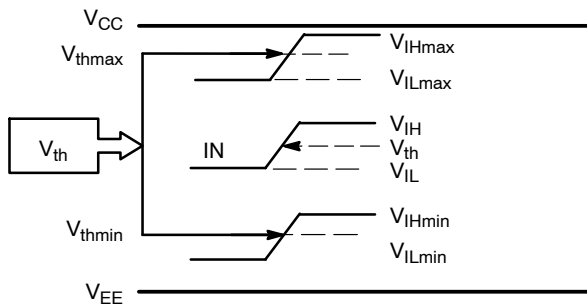


Figure 6. V_{th} Diagram

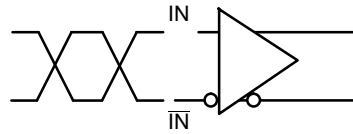


Figure 7. Differential Inputs Driven Differentially

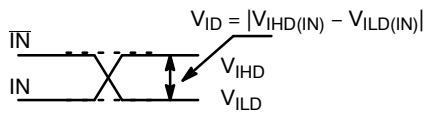


Figure 8. Differential Inputs Driven Differentially

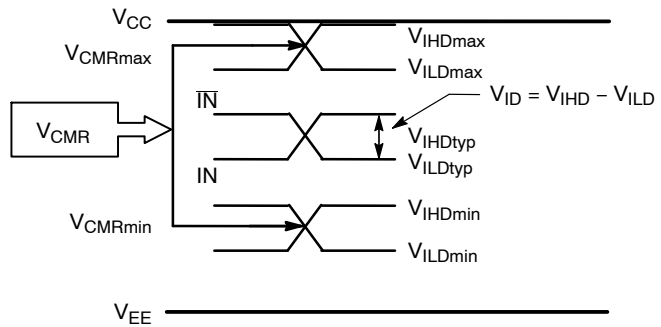


Figure 9. VCMR Diagram

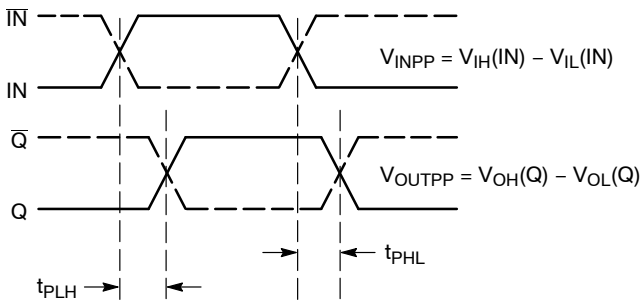


Figure 10. AC Reference Measurement

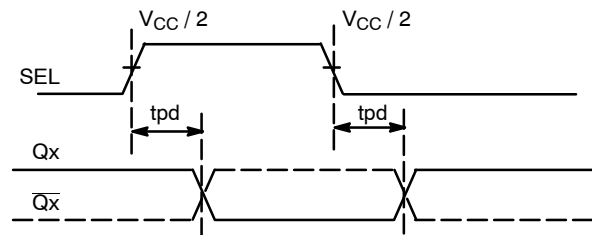


Figure 11. SEL to Qx Timing Diagram

NB7L585

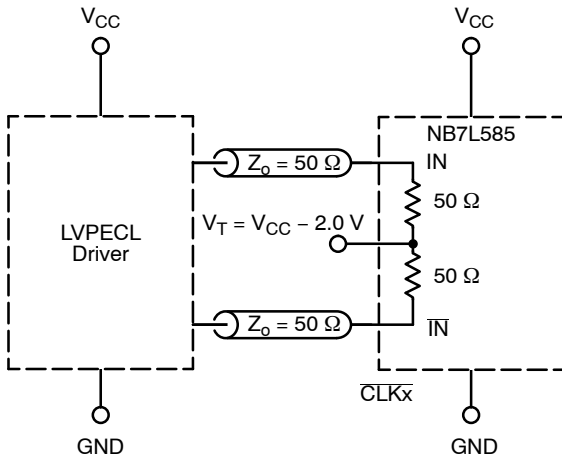


Figure 12. LVPECL Interface

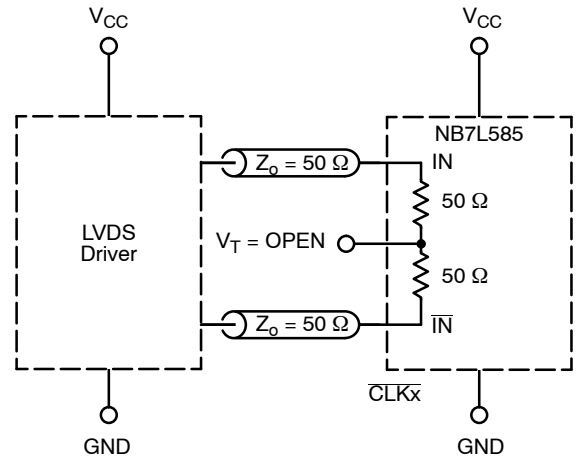


Figure 13. LVDS Interface

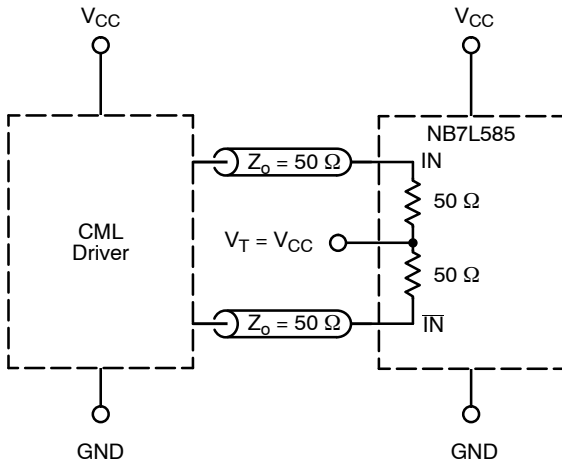


Figure 14. Standard 50 Ω Load CML Interface

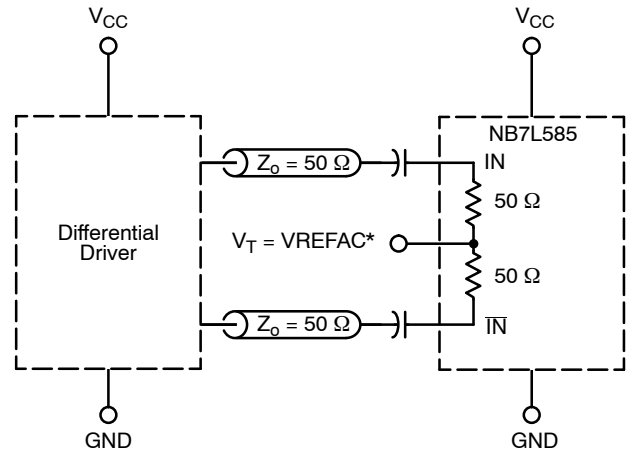


Figure 15. Capacitor-Coupled Differential Interface (V_T Connected to V_{REFAC})

* V_{REFAC} bypassed to ground with a 0.01 μF capacitor.

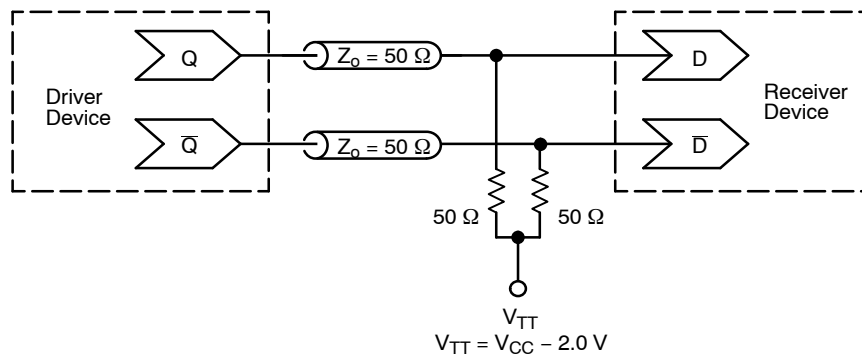


Figure 16. Typical Termination for Output Driver and Device Evaluation (See Application Note AND8020/D – Termination of ECL Logic Devices.)

NB7L585

DEVICE ORDERING INFORMATION

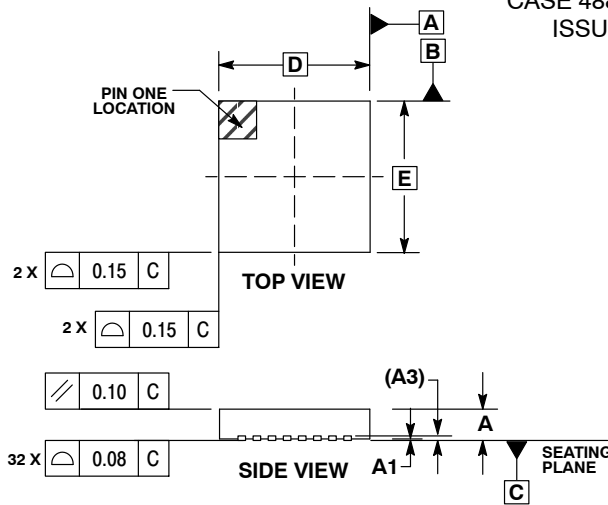
Device	Package	Shipping†
NB7L585MNG	QFN-32 (Pb-Free)	74 Units / Rail
NB7L585MNR4G	QFN-32 (Pb-Free)	1000 / Tape & Reel

†For information on tape and reel specifications, including part orientation and tape sizes, please refer to our Tape and Reel Packaging Specifications Brochure, BRD8011/D.

NB7L585

PACKAGE DIMENSIONS

QFN32 5*5*1 0.5 P
CASE 488AM-01
ISSUE O

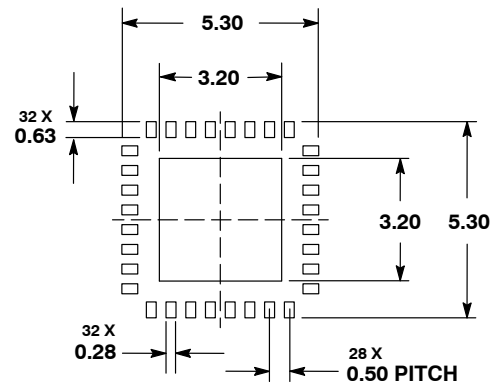


NOTES:

1. DIMENSIONS AND TOLERANCING PER ASME Y14.5M, 1994.
2. CONTROLLING DIMENSION: MILLIMETERS.
3. DIMENSION b APPLIES TO PLATED TERMINAL AND IS MEASURED BETWEEN 0.25 AND 0.30 MM TERMINAL.
4. COPLANARITY APPLIES TO THE EXPOSED PAD AS WELL AS THE TERMINALS.

MILLIMETERS			
DIM	MIN	NOM	MAX
A	0.800	0.900	1.000
A1	0.000	0.025	0.050
A3	0.200 REF		
b	0.180	0.250	0.300
D	5.00 BSC		
D2	2.950	3.100	3.250
E	5.00 BSC		
E2	2.950	3.100	3.250
e	0.500 BSC		
K	0.200	---	---
L	0.300	0.400	0.500

SOLDERING FOOTPRINT*



*For additional information on our Pb-Free strategy and soldering details, please download the ON Semiconductor Soldering and Mounting Techniques Reference Manual, SOLDERRM/D.

GigaComm is a trademark of Semiconductor Component Industries, LLC (SCILLC).

ON Semiconductor and are registered trademarks of Semiconductor Components Industries, LLC (SCILLC). SCILLC reserves the right to make changes without further notice to any products herein. SCILLC makes no warranty, representation or guarantee regarding the suitability of its products for any particular purpose, nor does SCILLC assume any liability arising out of the application or use of any product or circuit, and specifically disclaims any and all liability, including without limitation special, consequential or incidental damages. "Typical" parameters which may be provided in SCILLC data sheets and/or specifications can and do vary in different applications and actual performance may vary over time. All operating parameters, including "Typicals" must be validated for each customer application by customer's technical experts. SCILLC does not convey any license under its patent rights nor the rights of others. SCILLC products are not designed, intended, or authorized for use as components in systems intended for surgical implant into the body, or other applications intended to support or sustain life, or for any other application in which the failure of the SCILLC product could create a situation where personal injury or death may occur. Should Buyer purchase or use SCILLC products for any such unintended or unauthorized application, Buyer shall indemnify and hold SCILLC and its officers, employees, subsidiaries, affiliates, and distributors harmless against all claims, costs, damages, and expenses, and reasonable attorney fees arising out of, directly or indirectly, any claim of personal injury or death associated with such unintended or unauthorized use, even if such claim alleges that SCILLC was negligent regarding the design or manufacture of the part. SCILLC is an Equal Opportunity/Affirmative Action Employer. This literature is subject to all applicable copyright laws and is not for resale in any manner.

PUBLICATION ORDERING INFORMATION

LITERATURE FULFILLMENT:
Literature Distribution Center for ON Semiconductor
P.O. Box 5163, Denver, Colorado 80217 USA
Phone: 303-675-2175 or 800-344-3860 Toll Free USA/Canada
Fax: 303-675-2176 or 800-344-3867 Toll Free USA/Canada
Email: orderlit@onsemi.com

N. American Technical Support: 800-282-9855 Toll Free
USA/Canada
Europe, Middle East and Africa Technical Support:
Phone: 421 33 790 2910
Japan Customer Focus Center
Phone: 81-3-5773-3850

ON Semiconductor Website: www.onsemi.com
Order Literature: <http://www.onsemi.com/orderlit>
For additional information, please contact your local Sales Representative

Компания «Океан Электроники» предлагает заключение долгосрочных отношений при поставках импортных электронных компонентов на взаимовыгодных условиях!

Наши преимущества:

- Поставка оригинальных импортных электронных компонентов напрямую с производств Америки, Европы и Азии, а так же с крупнейших складов мира;
- Широкая линейка поставок активных и пассивных импортных электронных компонентов (более 30 млн. наименований);
- Поставка сложных, дефицитных, либо снятых с производства позиций;
- Оперативные сроки поставки под заказ (от 5 рабочих дней);
- Экспресс доставка в любую точку России;
- Помощь Конструкторского Отдела и консультации квалифицированных инженеров;
- Техническая поддержка проекта, помощь в подборе аналогов, поставка прототипов;
- Поставка электронных компонентов под контролем ВП;
- Система менеджмента качества сертифицирована по Международному стандарту ISO 9001;
- При необходимости вся продукция военного и аэрокосмического назначения проходит испытания и сертификацию в лаборатории (по согласованию с заказчиком);
- Поставка специализированных компонентов военного и аэрокосмического уровня качества (Xilinx, Altera, Analog Devices, Intersil, Interpoint, Microsemi, Actel, Aeroflex, Peregrine, VPT, Syfer, Eurofarad, Texas Instruments, MS Kennedy, Miteq, Cobham, E2V, MA-COM, Hittite, Mini-Circuits, General Dynamics и др.);

Компания «Океан Электроники» является официальным дистрибьютором и эксклюзивным представителем в России одного из крупнейших производителей разъемов военного и аэрокосмического назначения «**JONHON**», а так же официальным дистрибьютором и эксклюзивным представителем в России производителя высокотехнологичных и надежных решений для передачи СВЧ сигналов «**FORSTAR**».



JONHON

«**JONHON**» (основан в 1970 г.)

Разъемы специального, военного и аэрокосмического назначения:

(Применяются в военной, авиационной, аэрокосмической, морской, железнодорожной, горно- и нефтедобывающей отраслях промышленности)

«**FORSTAR**» (основан в 1998 г.)

ВЧ соединители, коаксиальные кабели,
кабельные сборки и микроволновые компоненты:

(Применяются в телекоммуникациях гражданского и специального назначения, в средствах связи, РЛС, а так же военной, авиационной и аэрокосмической отраслях промышленности).



Телефон: 8 (812) 309-75-97 (многоканальный)

Факс: 8 (812) 320-03-32

Электронная почта: ocean@oceanchips.ru

Web: <http://oceanchips.ru/>

Адрес: 198099, г. Санкт-Петербург, ул. Калинина, д. 2, корп. 4, лит. А