

Power PCB Relay RZF

- 1 pole, 16A, 1 form A (NO)
- Coil power 530mW
- Reinforced insulation (EN 61810, 60335, 60730)
- Ambient temperature up to 85°C
- Quick connect terminals for load
- Low mounted height of 17.9mm (27.6mm with quick connects)
- WG version with material in accordance with IEC 60335-1

Typical applications

Microwave ovens, water heaters, ovens, industrial equipment.



Approvals

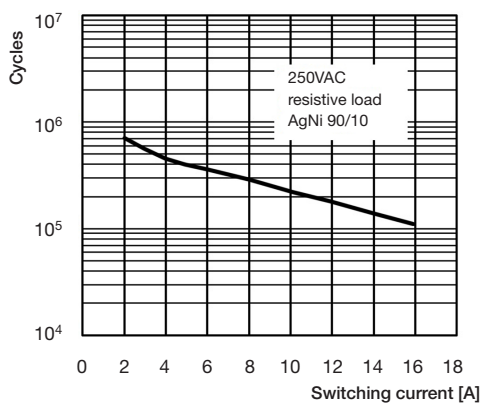
VDE 40046175, UL E214025, CQC 17002175064

Technical data of approved types on request.

Contact Data

| | | |
|--|--|--|
| Contact arrangement | 1 form A (NO) | |
| Rated voltage | 250VAC | |
| Max. switching voltage | 400VAC | |
| Rated current | 16A | |
| Limited making current, form A contact, max. 4 s, duty factor 10% | 16A | |
| Switching power | 4000VA | |
| Contact material | AgNi | |
| Min. recommended contact load | 100mA, 5VDC | |
| Frequency of operation, with/without load | 360/18000h ⁻¹ | |
| Operate/release time max. | 8ms/6ms | |
| Bounce time max. | 4ms | |
| Electrical endurance | | |
| 16A, 250VAC, resistive, 23°C | 100x10 ³ ops. | |
| 16A, 250VAC, resistive, 85°C | 50x10 ³ ops. | |
| Contact ratings | 16A, 250VAC, resistive, 23°C, 100x10 ³ ops. | |
| | 16A, 250VAC, resistive, 85°C, 100x10 ³ ops. | |
| Mechanical endurance | 10x10 ⁶ operations | |

Electrical endurance



Coil Data

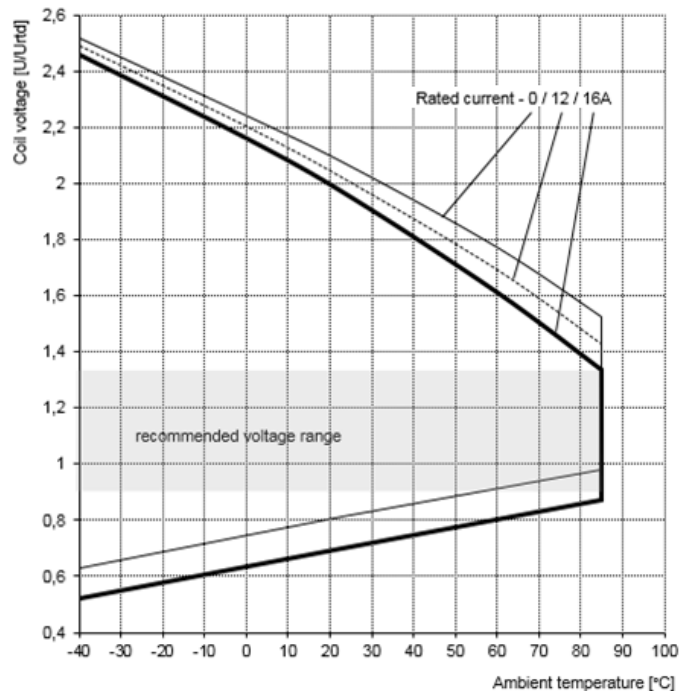
| | |
|-------------------------------------|------------|
| Coil voltage range | 5 to 48VDC |
| Coil operative range, IEC 61810 | 2 |
| Coil insulation system according UL | class F |

Coil versions, DC coil

| Coil code | Rated voltage VDC | Operate voltage VDC | Release voltage VDC | Coil resistance Ω±10% | Rated coil power mW |
|-----------|-------------------|---------------------|---------------------|-----------------------|---------------------|
| 005 | 5 | 3.5 | 0.5 | 47.2 | 530 |
| 006 | 6 | 4.2 | 0.6 | 66.6 | 530 |
| 009 | 9 | 6.3 | 0.9 | 152.8 | 530 |
| 012 | 12 | 8.4 | 1.2 | 271.7 | 530 |
| 018 | 18 | 12.6 | 1.8 | 611 | 530 |
| 024 | 24 | 16.8 | 2.4 | 1086 | 530 |
| 048 | 48 | 33.6 | 4.8 | 4347 | 530 |

All figures are given for coil without pre-energization, at ambient temperature +23°C.

Coil Operating Range



Power PCB Relay RZF (Continued)

Insulation Data

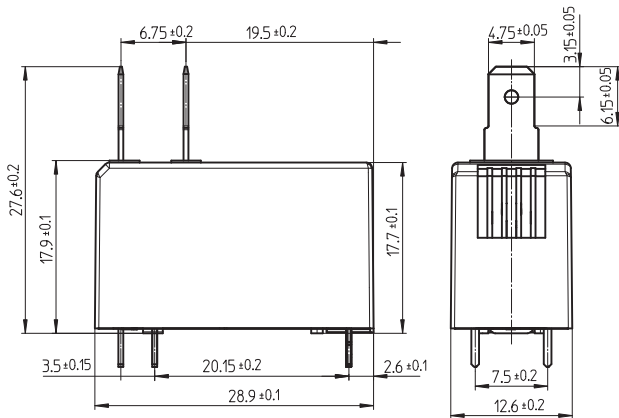
| | |
|------------------------------------|----------------------|
| Initial dielectric strength | |
| between open contacts | 1000V _{rms} |
| between contact and coil | 5000V _{rms} |
| Initial surge withstand voltage | |
| between contact and coil | 10000V |
| Clearance/creepage | |
| between contact and coil | ≥ 5.5/8mm |
| Material group of insulation parts | |
| | III |
| Tracking index of relay base | |
| | PTI 300 |

Other Data

| | |
|---|--------------------------------------|
| Material compliance: EU RoHS/ELV, China RoHS, REACH, Halogen content refer to the Product Compliance Support Center at www.te.com/customer-support/rohssupportcenter | |
| Resistance to heat and fire | According EN 60335-1, par. 30 |
| Ambient temperature | -40 to 85°C |
| Category of environmental protection | |
| IEC 61810 | RTII - flux proof |
| Vibration resistance (functional), 3 to 100Hz | >20g |
| Shock resistance (functional) | >10g |
| Shock resistance (destructive) | >100g |
| Terminal type | PCB-THT, quick connect for load side |
| Weight | 11g |
| Resistance to soldering heat THT | |
| IEC 60068-2-20 | 270°C/10s |
| Packaging/unit | tube/20 pcs. box/500 pcs. |

Dimensions

RZF1-...-....

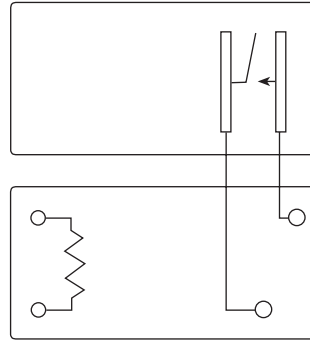


Terminal dimensions: Coil-Terminal: 0.5±0.025
Contact-Terminal: 0.5±0.01 x 0.8±0.05

- All terminal dimensions valid for the unfinned terminal
- For the tin-plating of the pins add +0,1mm for the width, thickness or diameter.

Terminal assignment

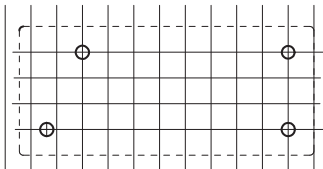
Bottom view on solder pins



PCB layout

Bottom view on solder pins

RZF1-...-....



grid pattern: 2.50 to 2,54
hole diameter: ø1.3 ±0,1
Bottom view on solder pins
dimensions in mm

Power PCB Relay RZF (Continued)

| | | | | | | | | | | |
|-------------------------------|--|---|----------|-----------------------------|----------|--------------|----------|-----------|------------|------------|
| Product code structure | | Typical product code | | RZF | 1 | -1A | 4 | -L | 012 | 000 |
| Type | RZF | Power PCB Relay RZF | | | | | | | | |
| Version | 1 | 16A, 3.5mm pinning, 4 PCB pins | | | | | | | | |
| Contact configuration | 1A | 1 form A (NO) contact | | | | | | | | |
| Contact material | 4 | AgNi 90/10 | 6 | AgNi 90/10, special version | | | | | | |
| Coil version | L | DC coil, 530mW | | | | | | | | |
| Coil voltage | Coil code: please refer to coil versions table | | | | | | | | | |
| Suffix | 000 | Standard, RT II, Reinforced flux proof, IEC 60335-1 Compliant | | | | Other | Special | | | |

Note: May be followed by up to five additional characters for manufacturer internal identification.

| Product code | Version | Contact | Cont.material | Coil power | Coil voltage | Sealing | Part number |
|---------------|------------|---------------|-------------------|------------|--------------|------------|-------------|
| RZF1-1A4-L005 | 4 PCB pins | 1 form A (NO) | AgNi 90/10 (std.) | 530mW | 5VDC | Flux proof | 1833011-1 |
| RZF1-1A4-L006 | | | | | 6VDC | | 1833011-2 |
| RZF1-1A4-L009 | | | | | 9VDC | | 1833011-3 |
| RZF1-1A4-L012 | | | | | 12VDC | | 1833011-4 |
| RZF1-1A4-L018 | | | | | 18VDC | | 1833011-5 |
| RZF1-1A4-L024 | | | | | 24VDC | | 1833011-6 |
| RZF1-1A4-L048 | | | | | 48VDC | | 1833011-7 |
| RZF1-1A6-L005 | | | AgNi 90/10 (spl.) | | 5VDC | | 2-1833011-8 |
| RZF1-1A6-L006 | | | | | 6VDC | | 1-1833011-5 |
| RZF1-1A6-L009 | | | | | 9VDC | | 1-1833011-6 |
| RZF1-1A6-L012 | | | | | 12VDC | | 1-1833011-7 |
| RZF1-1A6-L018 | | | | | 18VDC | | 1-1833011-8 |
| RZF1-1A6-L024 | | | | | 24VDC | | 1-1833011-9 |
| RZF1-1A6-L048 | | | | | 48VDC | | 2-1833011-0 |



General Purpose
Power PCB Relays

Power PCB Relay RZF (Continued)

te.com

TE Connectivity and TE connectivity (logo) are trademarks.
Other products, logos and company names mentioned herein may be trademarks of their respective owners.

The information given herein, including drawings, illustrations and schematics which are intended for illustration purposes only, is believed to be reliable. However, TE Connectivity makes no warranties as to its accuracy or completeness and disclaims any liability in connection with its use. TE Connectivity's obligations shall only be as set forth in TE Connectivity's Standard Terms and Conditions of Sale for this product and in no case will TE Connectivity be liable for any incidental, indirect or consequential damages arising out of the sale, resale, use or misuse of the product. Users of TE Connectivity products should make their own evaluation to determine the suitability of each such product for the specific application.

Компания «Океан Электроники» предлагает заключение долгосрочных отношений при поставках импортных электронных компонентов на взаимовыгодных условиях!

Наши преимущества:

- Поставка оригинальных импортных электронных компонентов напрямую с производств Америки, Европы и Азии, а так же с крупнейших складов мира;
- Широкая линейка поставок активных и пассивных импортных электронных компонентов (более 30 млн. наименований);
- Поставка сложных, дефицитных, либо снятых с производства позиций;
- Оперативные сроки поставки под заказ (от 5 рабочих дней);
- Экспресс доставка в любую точку России;
- Помощь Конструкторского Отдела и консультации квалифицированных инженеров;
- Техническая поддержка проекта, помощь в подборе аналогов, поставка прототипов;
- Поставка электронных компонентов под контролем ВП;
- Система менеджмента качества сертифицирована по Международному стандарту ISO 9001;
- При необходимости вся продукция военного и аэрокосмического назначения проходит испытания и сертификацию в лаборатории (по согласованию с заказчиком);
- Поставка специализированных компонентов военного и аэрокосмического уровня качества (Xilinx, Altera, Analog Devices, Intersil, Interpoint, Microsemi, Actel, Aeroflex, Peregrine, VPT, Syfer, Eurofarad, Texas Instruments, MS Kennedy, Miteq, Cobham, E2V, MA-COM, Hittite, Mini-Circuits, General Dynamics и др.);

Компания «Океан Электроники» является официальным дистрибьютором и эксклюзивным представителем в России одного из крупнейших производителей разъемов военного и аэрокосмического назначения «JONHON», а так же официальным дистрибьютором и эксклюзивным представителем в России производителя высокотехнологичных и надежных решений для передачи СВЧ сигналов «FORSTAR».



JONHON

«JONHON» (основан в 1970 г.)

Разъемы специального, военного и аэрокосмического назначения:

(Применяются в военной, авиационной, аэрокосмической, морской, железнодорожной, горно- и нефтедобывающей отраслях промышленности)

«FORSTAR» (основан в 1998 г.)

ВЧ соединители, коаксиальные кабели, кабельные сборки и микроволновые компоненты:

(Применяются в телекоммуникациях гражданского и специального назначения, в средствах связи, РЛС, а так же военной, авиационной и аэрокосмической отраслях промышленности).



Телефон: 8 (812) 309-75-97 (многоканальный)

Факс: 8 (812) 320-03-32

Электронная почта: ocean@oceanchips.ru

Web: <http://oceanchips.ru/>

Адрес: 198099, г. Санкт-Петербург, ул. Калинина, д. 2, корп. 4, лит. А