



00-9159-00X-501-X06

PREFIX

SERIES

NO. OF WAYS

| CODE | NO. OF WAYS | DETAILS |
|------|-------------|---------|
| 002  | 2           | SHEET 2 |
| 003  | 3           | SHEET 3 |
| 004  | 4           | SHEET 4 |
| 005  | 5           | SHEET 5 |
| 006  | 6           | SHEET 6 |

Elco Europe (A Division of AVX Ltd) CONFIDENTIAL PROPRIETY  
 The document on this print and information therewith are PROPRIETY  
 to Elco Europe (A Division of AVX Ltd) and shall not be copied  
 or disclosed in whole or in part without Elco Europe's written consent.

SINGLE PART PCB STRIP CONNECTOR

| CODE | DESCRIPTION                                | DETAILS       |
|------|--|---------------|
| 501  | THROUGH THE BOARD - EDGE CARD - NO CAP     | SHEETS 2 TO 6 |
| 502  | THROUGH THE BOARD - EDGE CARD - CAP FITTED | SHEET 7       |

INSULATOR COLOUR

| CODE | COLOUR | AVAILABILITY           |
|------|--------|------------------------|
| 9    | WHITE  | UL APPROVED - STANDARD |



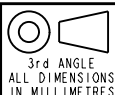
PLATING OPTION

| CODE | CONTACT PLATING                        |
|------|--|
| 06   | GOLD PLATING ON NOSE WITH TIN ON TAILS |

SHEET 1 OF 10

FORM-106-01-056-6 ISS 7

| Release No. | History    |
|-------------|------------|
| 102809      | 10.11.2011 |
|             | 06.01.2012 |
|             | 12.01.2012 |
|             | 03.02.2012 |
|             | 08.02.2012 |
|             | 28.03.2012 |
|             | 102876     |
|             | 26.04.2012 |
|             | 102879     |
|             | 14.05.2012 |
|             | 26.06.2012 |
|             | 24.07.2012 |



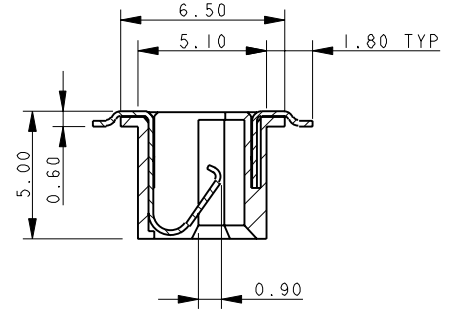
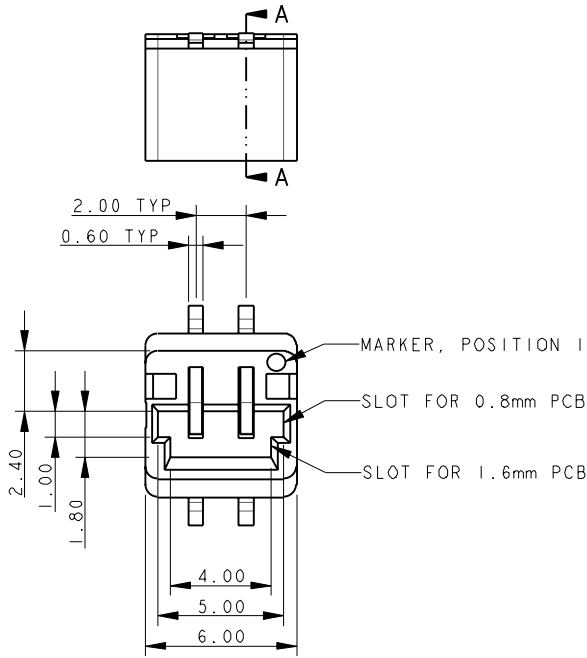
|       |        |
|-------|--------|
| Drawn | N.C.H. |
| Size  | CV     |

|             |                                    |
|-------------|------------------------------------|
| Description | 9159 THROUGH BOARD - ORDERING CODE |
| Part Number | 00-9159-01_500S                    |

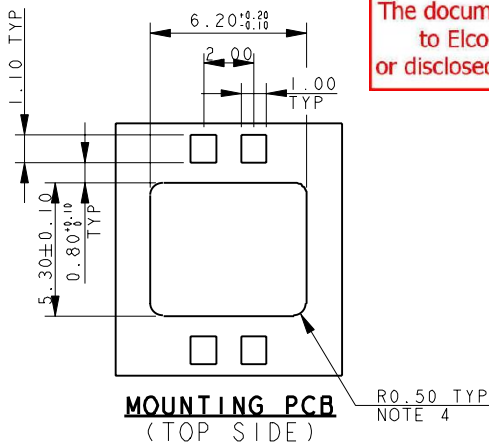
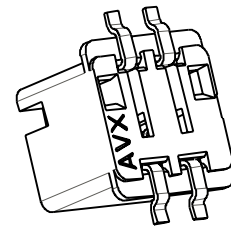
|       |           |
|-------|-----------|
| DATE  | 06-Jan-12 |
| Issue | 6         |



**THROUGH THE BOARD MATING EDGE CARD CONNECTOR - 2 WAY**

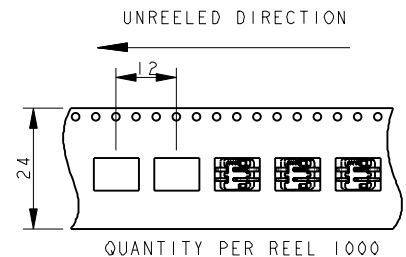
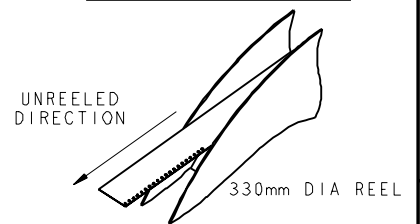


**SECTION A-A**



Elco Europe (A Division of AVX Ltd) CONFIDENTIAL PROPRIETY  
The document on this print and information therewith are PROPRIETY  
to Elco Europe (A Division of AVX Ltd) and shall not be copied  
or disclosed in whole or in part without Elco Europe's written consent.

**PACKING DETAILS**

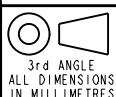


**NOTES :-**

1. THROUGH THE BOARD 2 WAY EDGE CARD CONNECTOR. FOR FURTHER DETAILS REFER TO PRODUCT SPECIFICATION 201-01-136.
2. FOR MATING PCB EITHER 0.8mm OR 1.6mm THICK. REFER TO SHEET 7 FOR MATING PCB DETAILS.
3. CONNECTOR TOP MOUNTING ON PCB.
4. UP TO 0.5mm RAD TO MATCH CONNECTOR PROFILE.
5. ALL DIMENSIONS ±0.20 UNLESS TOLERANCE SPECIFIED.
6. INSULATOR :- PA4T, GLASS FILLED, HALOGEN FREE, UL94 V-0, COLOUR REFER TO SHEET 1.
7. CONTACT :- COPPER ALLOY, NICKEL PLATED WITH GOLD FLASH ON NOSE AND TIN ON TAILS.
8. BRACKET :- COPPER ALLOY, PLATING, TIN OVER NICKEL.
9. PACKING IN TAPE AND REEL, 1000 PIECES PER REEL.
10. CONTACT TAILS COPLANARITY WITHIN 0.10.
11. REFER TO SHEET 10 FOR MATCHING PROTECTING CAP.
12. UL REFERENCE E90723.

ELCO EUROPE (A DIVISION OF AVX LTD.) CONFIDENTIAL PROPRIETARY  
THE DRAWING ON THIS PRINT AND INFORMATION THEREWITH ARE PROPRIETARY TO ELCO EUROPE (A DIVISION OF AVX LTD.) AND SHALL NOT BE USED OR DISCLOSED IN WHOLE OR IN PART WITHOUT ELCO EUROPE'S WRITTEN CONSENT.

| Release No. | History    |
|-------------|------------|
| 102809      | 10.11.2011 |
| 102810      | 06.01.2012 |
| 102811      | 12.01.2012 |
| 102812      | 03.02.2012 |
| 102813      | 08.02.2012 |
| 102814      | 08.03.2012 |
| 102815      | 28.03.2012 |
| 102816      | 26.04.2012 |
| 102817      | 14.05.2012 |
| 102818      | 15.05.2012 |
| 102819      | 26.06.2012 |
| 102820      | 24.07.2012 |



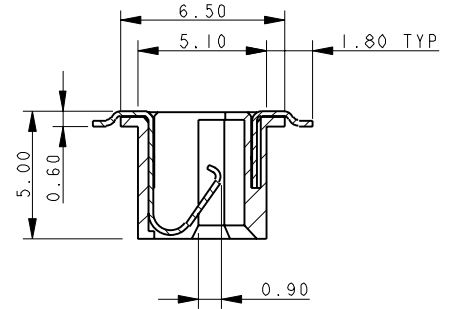
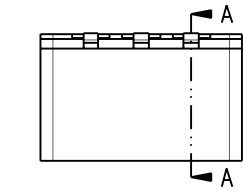
|       |        |             |                                    |       |           |
|-------|--------|-------------|------------------------------------|-------|-----------|
| Drawn | N.C.H. | Description | 9159 THROUGH BOARD - ORDERING CODE | DATE  | 06-Jan-12 |
| Size  | CV     | Part Number | 00-9159-01_500S                    | Issue | 6         |

SHEET 2 OF 10

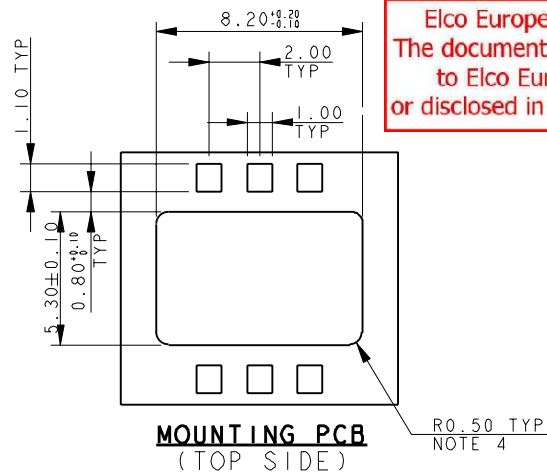
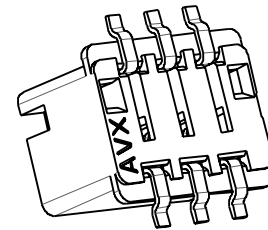
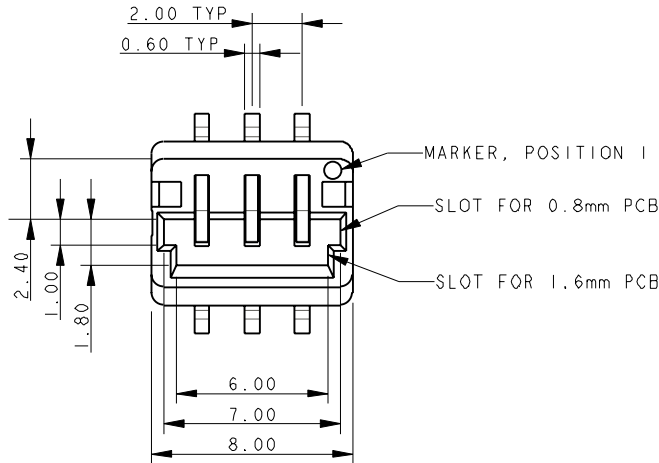
FORM-106-01-056-6 ISS 7



**THROUGH THE BOARD MATING EDGE CARD CONNECTOR - 3 WAY**

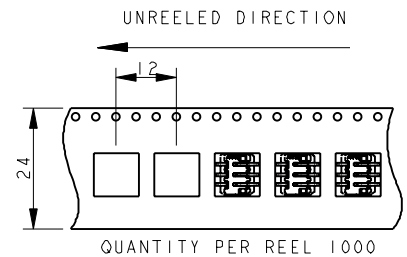
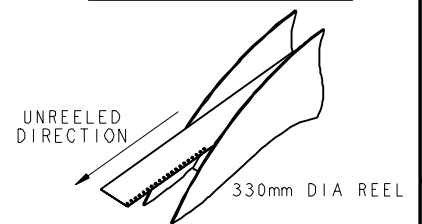


**SECTION A-A**



Elco Europe (A Division of AVX Ltd) CONFIDENTIAL PROPRIETY  
The document on this print and information therewith are PROPRIETY to Elco Europe (A Division of AVX Ltd) and shall not be copied or disclosed in whole or in part without Elco Europe's written consent.

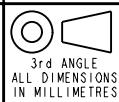
**PACKING DETAILS**



- NOTES :-
1. THROUGH THE BOARD 3 WAY EDGE CARD CONNECTOR.
  2. FOR FURTHER DETAILS REFER TO PRODUCT SPECIFICATION 201-01-136.
  3. FOR MATING PCB EITHER 0.8mm OR 1.6mm THICK. REFER TO SHEET 7 FOR MATING PCB DETAILS.
  4. CONNECTOR TOP MOUNTING ON PCB.
  5. UP TO 0.5mm RAD TO MATCH CONNECTOR PROFILE.
  6. ALL DIMENSIONS ±0.20 UNLESS TOLERANCE SPECIFIED.
  7. INSULATOR :- PA4T, GLASS FILLED, HALOGEN FREE, UL94 V-0, COLOUR REFER TO SHEET 1.
  8. CONTACT :- COPPER ALLOY, NICKEL PLATED WITH GOLD FLASH ON NOSE AND TIN ON TAILS.
  9. BRACKET :- COPPER ALLOY, PLATING, TIN OVER NICKEL.
  10. PACKING IN TAPE AND REEL, 1000 PIECES PER REEL.
  11. CONTACT TAILS COPLANARITY WITHIN 0.10.
  12. REFER TO SHEET 10 FOR MATCHING PROTECTING CAP.
  13. UL REFERENCE E90723.

ELCO EUROPE (A DIVISION OF AVX LTD.) CONFIDENTIAL PROPRIETARY  
THE DRAWING ON THIS PRINT AND INFORMATION THEREWITH ARE PROPRIETARY TO ELCO EUROPE (A DIVISION OF AVX LTD.) AND SHALL NOT BE USED OR DISCLOSED IN WHOLE OR IN PART WITHOUT ELCO EUROPE'S WRITTEN CONSENT.

|             |            |
|-------------|------------|
| Release No. | 102809     |
| History     | 10.11.2011 |
|             | 06.01.2012 |
|             | 12.01.2012 |
|             | 03.02.2012 |
|             | 08.02.2012 |
|             | 08.03.2012 |
|             | 28.03.2012 |
|             | 102876     |
|             | 26.04.2012 |
|             | 102879     |
|             | 14.03.2012 |
|             | 15.03.2012 |
|             | 26.06.2012 |
|             | 24.07.2012 |



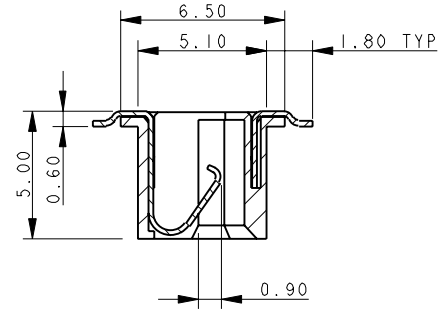
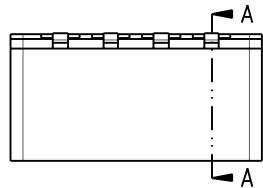
|       |        |             |                                    |       |           |
|-------|--------|-------------|------------------------------------|-------|-----------|
| Drawn | N.C.H. | Description | 9159 THROUGH BOARD - ORDERING CODE | DATE  | 06-Jan-12 |
| Size  | CV     | Part Number | 00-9159-01_500S                    | Issue | 6         |

SHEET 3 OF 10

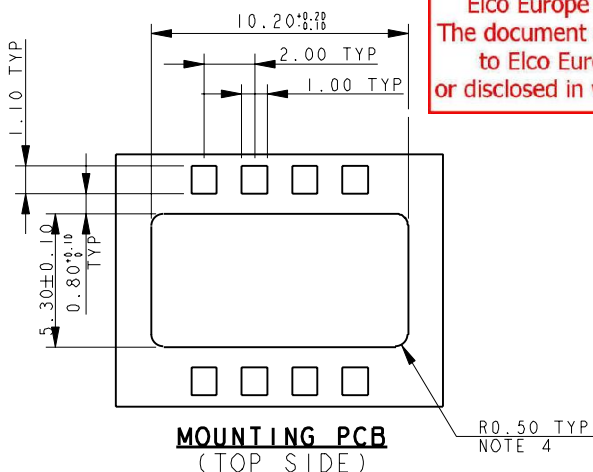
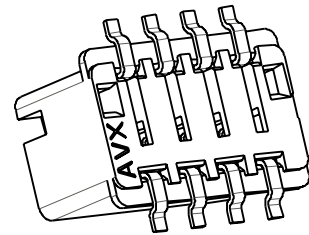
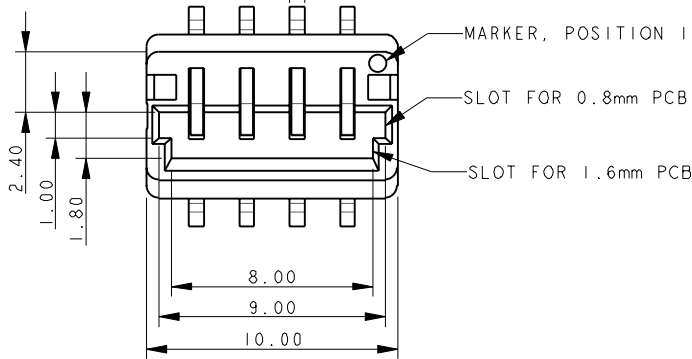
FORM-106-01-056-6 ISS 7



**THROUGH THE BOARD MATING EDGE CARD CONNECTOR - 4 WAY**

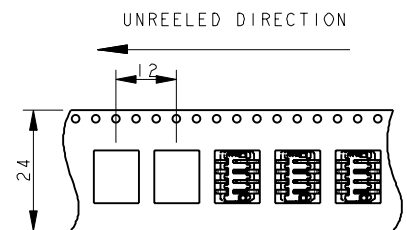
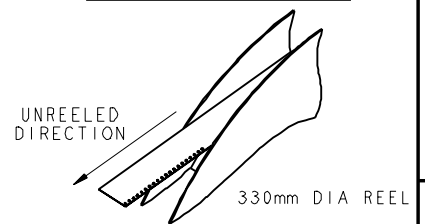


**SECTION A-A**



Elco Europe (A Division of AVX Ltd) CONFIDENTIAL PROPRIETY  
The document on this print and information therewith are PROPRIETY  
to Elco Europe (A Division of AVX Ltd) and shall not be copied  
or disclosed in whole or in part without Elco Europe's written consent.

**PACKING DETAILS**

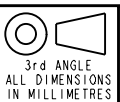


**NOTES :-**

1. THROUGH THE BOARD 4 WAY EDGE CARD CONNECTOR.
2. FOR FURTHER DETAILS REFER TO PRODUCT SPECIFICATION 201-01-136.
3. FOR MATING PCB EITHER 0.8mm OR 1.6mm THICK. REFER TO SHEET 7 FOR MATING PCB DETAILS.
4. CONNECTOR TOP MOUNTING ON PCB.
5. UP TO 0.5mm RAD TO MATCH CONNECTOR PROFILE.
6. ALL DIMENSIONS ±0.20 UNLESS TOLERANCE SPECIFIED.
7. INSULATOR :- PA4T, GLASS FILLED, HALOGEN FREE, UL94 V-0, COLOUR REFER TO SHEET 1.
8. CONTACT :- COPPER ALLOY, NICKEL PLATED WITH GOLD FLASH ON NOSE AND TIN ON TAILS.
9. BRACKET :- COPPER ALLOY, PLATING, TIN OVER NICKEL.
10. PACKING IN TAPE AND REEL, 1000 PIECES PER REEL.
11. CONTACT TAILS COPLANARITY WITHIN 0.10.
12. REFER TO SHEET 10 FOR MATCHING PROTECTING CAP.
13. UL REFERENCE E90723.

ELCO EUROPE (A DIVISION OF AVX LTD.) CONFIDENTIAL PROPRIETARY  
THE DRAWING ON THIS PRINT AND INFORMATION THEREWITH ARE PROPRIETARY TO ELCO EUROPE (A DIVISION OF AVX LTD.) AND SHALL NOT BE USED OR DISCLOSED IN WHOLE OR IN PART WITHOUT ELCO EUROPE'S WRITTEN CONSENT.

| Release No. | History    |
|-------------|------------|
| 102809      | 10.11.2011 |
| 102810      | 06.01.2012 |
| 102811      | 12.01.2012 |
| 102812      | 03.02.2012 |
| 102813      | 08.02.2012 |
| 102814      | 08.03.2012 |
| 102815      | 28.03.2012 |
| 102816      | 26.04.2012 |
| 102817      | 14.05.2012 |
| 102818      | 15.05.2012 |
| 102819      | 26.06.2012 |
| 102820      | 24.07.2012 |



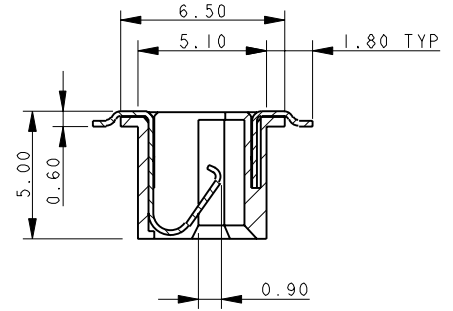
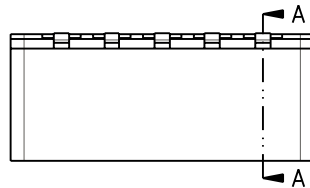
|       |        |             |                                    |       |           |
|-------|--------|-------------|------------------------------------|-------|-----------|
| Drawn | N.C.H. | Description | 6159 THROUGH BOARD - ORDERING CODE | DATE  | 06-Jan-12 |
| Size  | CV     | Part Number | 00-9159-01_500S                    | Issue | 6         |

SHEET 4 OF 10

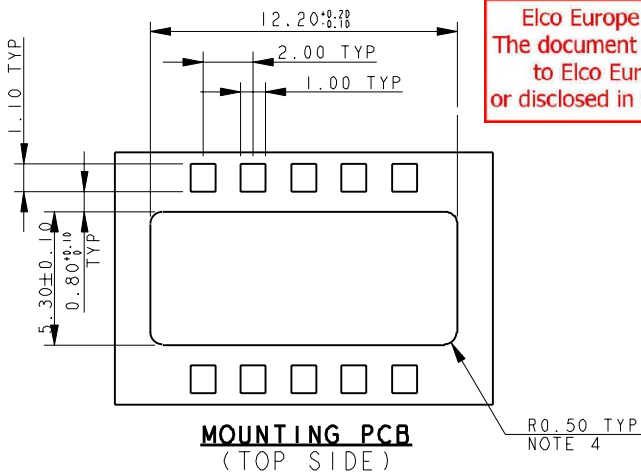
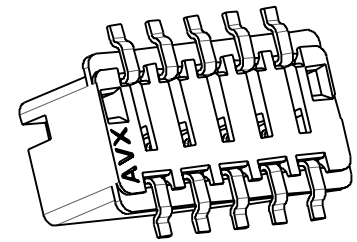
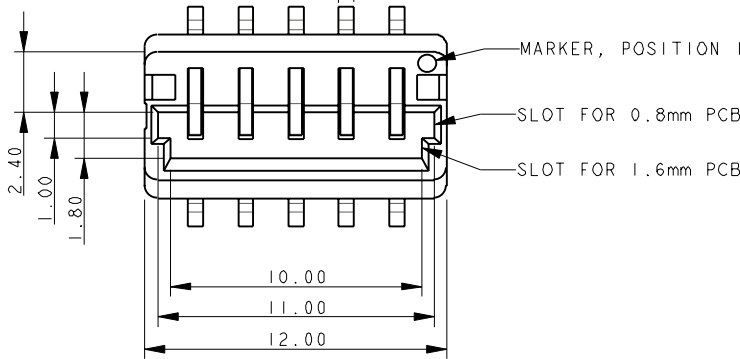
FORM-106-01-056-6 ISS 7



**THROUGH THE BOARD MATING EDGE CARD CONNECTOR - 5 WAY**

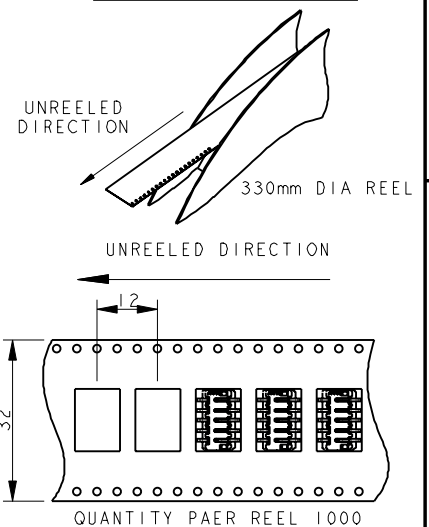


**SECTION A-A**



Elco Europe (A Division of AVX Ltd) CONFIDENTIAL PROPRIETY  
The document on this print and information therewith are PROPRIETY  
to Elco Europe (A Division of AVX Ltd) and shall not be copied  
or disclosed in whole or in part without Elco Europe's written consent.

**PACKING DETAILS**



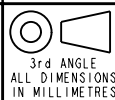
**NOTES :-**

1. THROUGH THE BOARD 5 WAY EDGE CARD CONNECTOR. FOR FURTHER DETAILS REFER TO PRODUCT SPECIFICATION 201-01-136.
2. FOR MATING PCB EITHER 0.8mm OR 1.6mm THICK. REFER TO SHEET 7 FOR MATING PCB DETAILS.
3. CONNECTOR TOP MOUNTING ON PCB.
4. UP TO 0.5mm RAD TO MATCH CONNECTOR PROFILE.
5. ALL DIMENSIONS ±0.20 UNLESS TOLERANCE SPECIFIED.
6. INSULATOR :- PA4T, GLASS FILLED, HALOGEN FREE, UL94 V-0, COLOUR REFER TO SHEET 1.
7. CONTACT :- COPPER ALLOY, NICKEL PLATED WITH GOLD FLASH ON NOSE AND TIN ON TAILS.
8. BRACKET :- COPPER ALLOY, PLATING, TIN OVER NICKEL.
9. PACKING IN TAPE AND REEL, 1000 PIECES PER REEL.
10. CONTACT TAILS COPLANARITY WITHIN 0.10.
11. REFER TO SHEET 10 FOR MATCHING PROTECTING CAP.
12. UL REFERENCE E90723.

FORM-106-01-056-6 ISS 7

ELCO EUROPE (A DIVISION OF AVX LTD.) CONFIDENTIAL PROPRIETY  
THE DRAWING ON THIS PRINT AND INFORMATION THEREWITH ARE PROPRIETARY TO ELCO EUROPE (A DIVISION OF AVX LTD.) AND SHALL NOT BE USED OR DISCLOSED IN WHOLE OR IN PART WITHOUT ELCO EUROPE'S WRITTEN CONSENT.

| Release No. | History    |
|-------------|------------|
| 102809      | 10.11.2011 |
|             | 06.01.2012 |
|             | 12.01.2012 |
|             | 03.02.2012 |
|             | 08.02.2012 |
|             | 08.03.2012 |
|             | 28.03.2012 |
|             | 102876     |
|             | 26.04.2012 |
|             | 102879     |
|             | 14.03.2012 |
|             | 15.03.2012 |
|             | 26.06.2012 |
|             | 24.07.2012 |



|       |        |
|-------|--------|
| Drawn | N.C.H. |
| Size  | CV     |

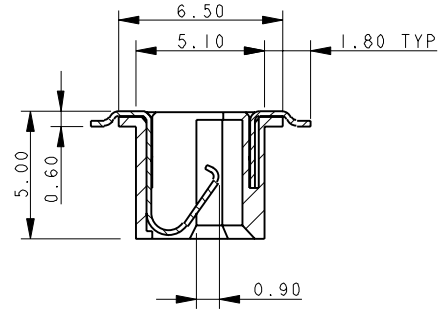
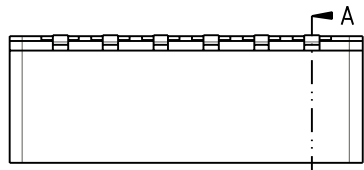
|             |                                    |
|-------------|------------------------------------|
| Description | 9159 THROUGH BOARD - ORDERING CODE |
| Part Number | 00-9159-01_500S                    |

|       |           |
|-------|-----------|
| DATE  | 06-Jan-12 |
| Issue | 6         |

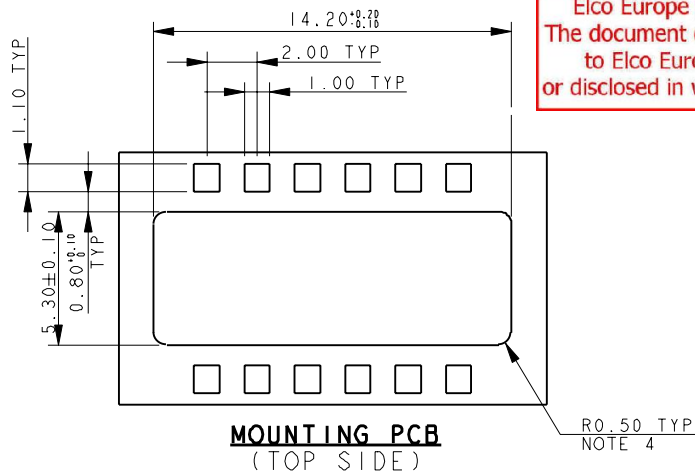
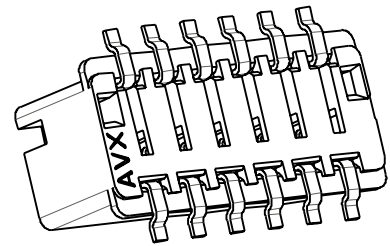
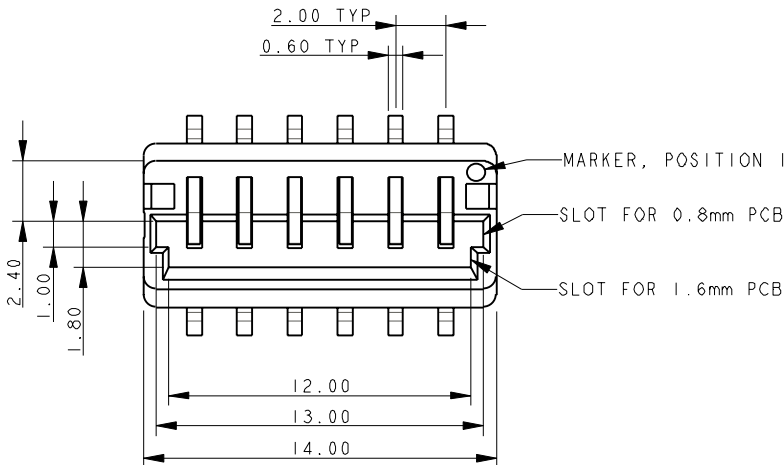
SHEET 5 OF 10



**THROUGH THE BOARD MATING EDGE CARD CONNECTOR - 6 WAY**

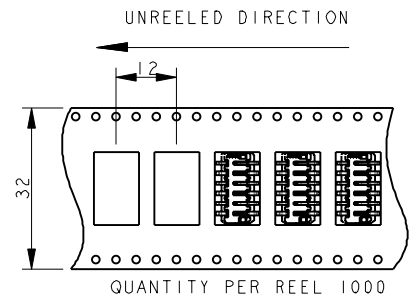
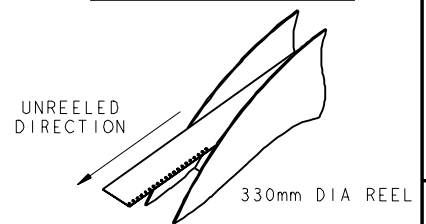


**SECTION A-A**



Elco Europe (A Division of AVX Ltd) CONFIDENTIAL PROPRIETY  
The document on this print and information therewith are PROPRIETY  
to Elco Europe (A Division of AVX Ltd) and shall not be copied  
or disclosed in whole or in part without Elco Europe's written consent.

**PACKING DETAILS**

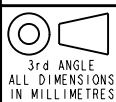


**NOTES :-**

1. THROUGH THE BOARD 6 WAY EDGE CARD CONNECTOR.
2. FOR FURTHER DETAILS REFER TO PRODUCT SPECIFICATION 201-01-136.
3. FOR MATING PCB EITHER 0.8mm OR 1.6mm THICK. REFER TO SHEET 7 FOR MATING PCB DETAILS.
4. CONNECTOR TOP MOUNTING ON PCB.
5. UP TO 0.5mm RAD TO MATCH CONNECTOR PROFILE.
6. ALL DIMENSIONS ±0.20 UNLESS TOLERANCE SPECIFIED.
7. INSULATOR :- PA4T, GLASS FILLED, HALOGEN FREE, UL94 V-0, COLOUR REFER TO SHEET 1.
8. CONTACT :- COPPER ALLOY, NICKEL PLATED WITH GOLD FLASH ON NOSE AND TIN ON TAILS.
9. BRACKET :- COPPER ALLOY, PLATING, TIN OVER NICKEL.
10. PACKING IN TAPE AND REEL, 1000 PICES PER REEL.
11. CONTACT TAILS COPLANARITY WITHIN 0.10.
12. REFER TO SHEET 10 FOR MATCHING PROTECTING CAP.
13. UL REFERENCE E90723.

ELCO EUROPE (A DIVISION OF AVX LTD.) CONFIDENTIAL PROPRIETY  
THE DRAWING ON THIS PRINT AND INFORMATION THEREWITH ARE PROPRIETY TO ELCO EUROPE (A DIVISION OF AVX LTD.) AND SHALL NOT BE USED OR DISCLOSED IN WHOLE OR IN PART WITHOUT ELCO EUROPE'S WRITTEN CONSENT.

| Release No. | History    |
|-------------|------------|
| 102809      | 10.11.2011 |
| 102810      | 06.01.2012 |
| 102811      | 12.01.2012 |
| 102812      | 08.02.2012 |
| 102813      | 08.03.2012 |
| 102814      | 28.03.2012 |
| 102815      | 26.04.2012 |
| 102816      | 10.05.2012 |
| 102817      | 14.05.2012 |
| 102818      | 15.06.2012 |
| 102819      | 26.06.2012 |
| 102820      | 24.07.2012 |

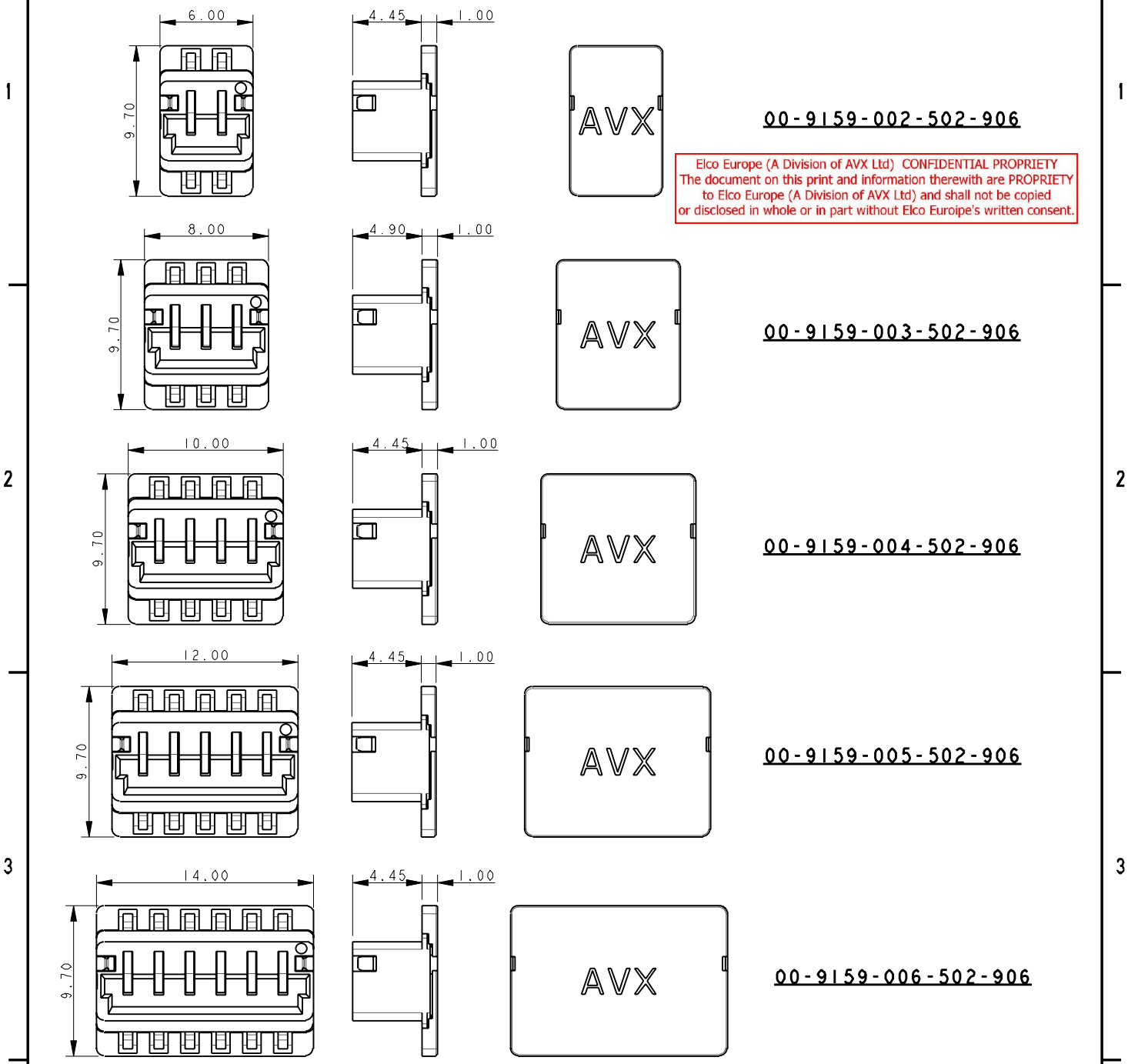


|       |        |             |                                    |       |           |
|-------|--------|-------------|------------------------------------|-------|-----------|
| Drawn | N.C.H. | Description | 6159 THROUGH BOARD - ORDERING CODE | DATE  | 06-Jan-12 |
| Size  | CV     | Part Number | 00-9159-01_500S                    | Issue | 6         |

SHEET 6 OF 10

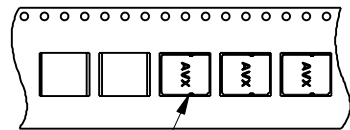
FORM-106-01-056-6 ISS 7

**THROUGH THE BOARD MATING EDGE CARD CONNECTOR - WITH CAP**  
**00-9159-00X-502-X06**



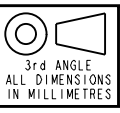
Elco Europe (A Division of AVX Ltd) CONFIDENTIAL PROPRIETY  
 The document on this print and information therewith are PROPRIETY  
 to Elco Europe (A Division of AVX Ltd) and shall not be copied  
 or disclosed in whole or in part without Elco Europe's written consent.

- NOTES :-
- 00-9159-00X-501-X06 WITH CAP SUPPLIED FITTED.
  - DRAWINGS SHOW OUTLINE DIMENSIONS OF THE 00-9159-00X-502-X06 ASSEMBLIES, ALL OTHER DETAILS ARE AS 00-9159-00X-501-X06 ON SHEETS 2 TO 6.
  - GENERAL TOLERANCE  $\pm 0.20$ .
  - PACKING ORIENTATION.
  - UL REFERENCE E90723.



ELCO EUROPE (A DIVISION OF AVX LTD.) CONFIDENTIAL PROPRIETY  
 THE DRAWING ON THIS PRINT AND INFORMATION THEREWITH ARE PROPRIETY TO ELCO EUROPE (A DIVISION OF AVX LTD.) AND SHALL NOT BE USED OR DISCLOSED IN WHOLE OR IN PART WITHOUT ELCO EUROPE'S WRITTEN CONSENT.

|             |            |
|-------------|------------|
| Release No. | 102809     |
| History     | 03.02.2012 |
|             | 08.02.2012 |
|             | 28.03.2012 |
|             | 102876     |
|             | 26.04.2012 |
|             | 102879     |
|             | 14.05.2012 |
|             | 15.06.2012 |
|             | 26.06.2012 |
|             | 24.07.2012 |



|       |        |             |                                    |       |           |
|-------|--------|-------------|------------------------------------|-------|-----------|
| Drawn | N.C.H. | Description | 9159 THROUGH BOARD - ORDERING CODE | DATE  | 06-Jan-12 |
| Size  | CV     | Part Number | 00-9159-01_500S                    | Issue | 6         |

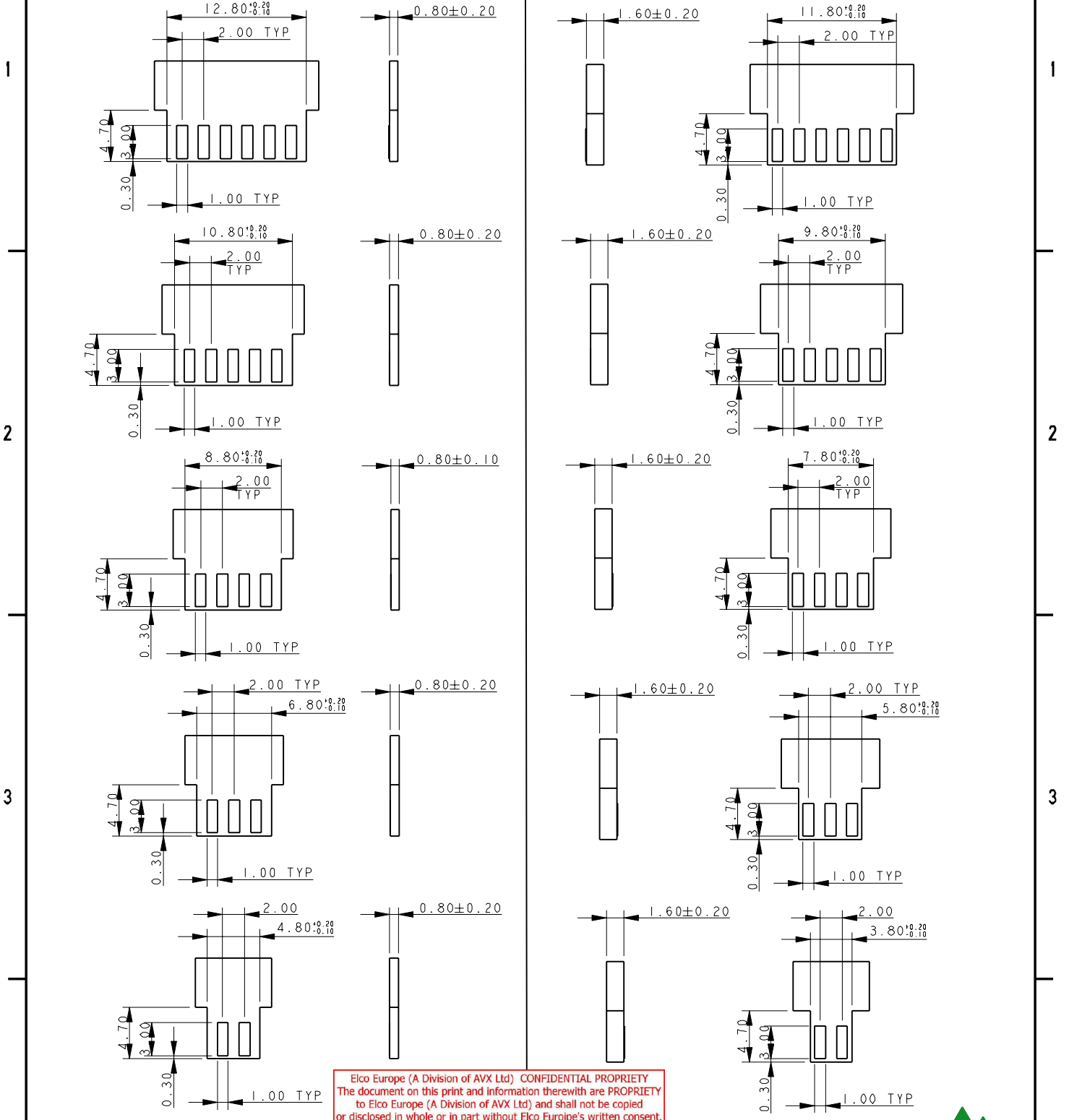
SHEET 7 OF 10

FORM-106-01-056-6 ISS 7

THROUGH THE BOARD MATING EDGE CARD CONNECTOR - MATING PCB

MATING PCB - 0.8mm PCB

MATING PCB - 1.6mm PCB



Elco Europe (A Division of AVX Ltd) CONFIDENTIAL PROPRIETARY  
 The document on this print and information therewith are PROPRIETY  
 to Elco Europe (A Division of AVX Ltd) and shall not be copied  
 or disclosed in whole or in part without Elco Europe's written consent.

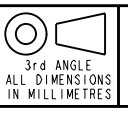
- NOTES :-
1. CORRECT DIMENSIONS FOR EITHER 0.80mm OR 1.60mm PCB THICKNESS MUST BE USED.
  2. THICKNESS OF PCB INCLUDES ALL LAYERS INCLUDING COPPER AND PLATING.
  3. PADS TO BE PLATED GOLD OVER NICKEL UNDERCOAT.
  4. GENERAL TOLERANCE ±0.10 UNLESS STATED.



ELCO EUROPE (A DIVISION OF AVX LTD.) CONFIDENTIAL PROPRIETARY  
 THE DRAWING ON THIS PRINT AND INFORMATION THEREWITH ARE PROPRIETARY TO ELCO EUROPE (A DIVISION OF AVX LTD.) AND SHALL NOT BE USED OR DISCLOSED IN WHOLE OR IN PART WITHOUT ELCO EUROPE'S WRITTEN CONSENT.

SHEET 8 OF 10

|             |            |
|-------------|------------|
| Release No. | 102809     |
| History     | 10.11.2011 |
|             | 06.01.2012 |
|             | 12.01.2012 |
|             | 03.02.2012 |
|             | 08.02.2012 |
|             | 28.03.2012 |
|             | 102876     |
|             | 26.04.2012 |
|             | 102879     |
|             | 14.03.2012 |
|             | 15.03.2012 |
|             | 26.06.2012 |
|             | 24.07.2012 |



|       |        |             |                                    |       |           |
|-------|--------|-------------|------------------------------------|-------|-----------|
| Drawn | N.C.H. | Description | 9159 THROUGH BOARD - ORDERING CODE | DATE  | 06-Jan-12 |
| Size  | CV     | Part Number | 00-9159-01_500S                    | Issue | 6         |

A

B



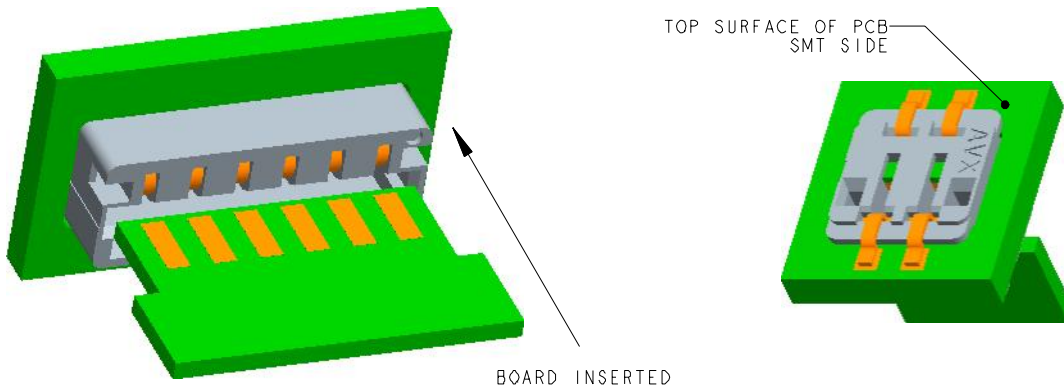
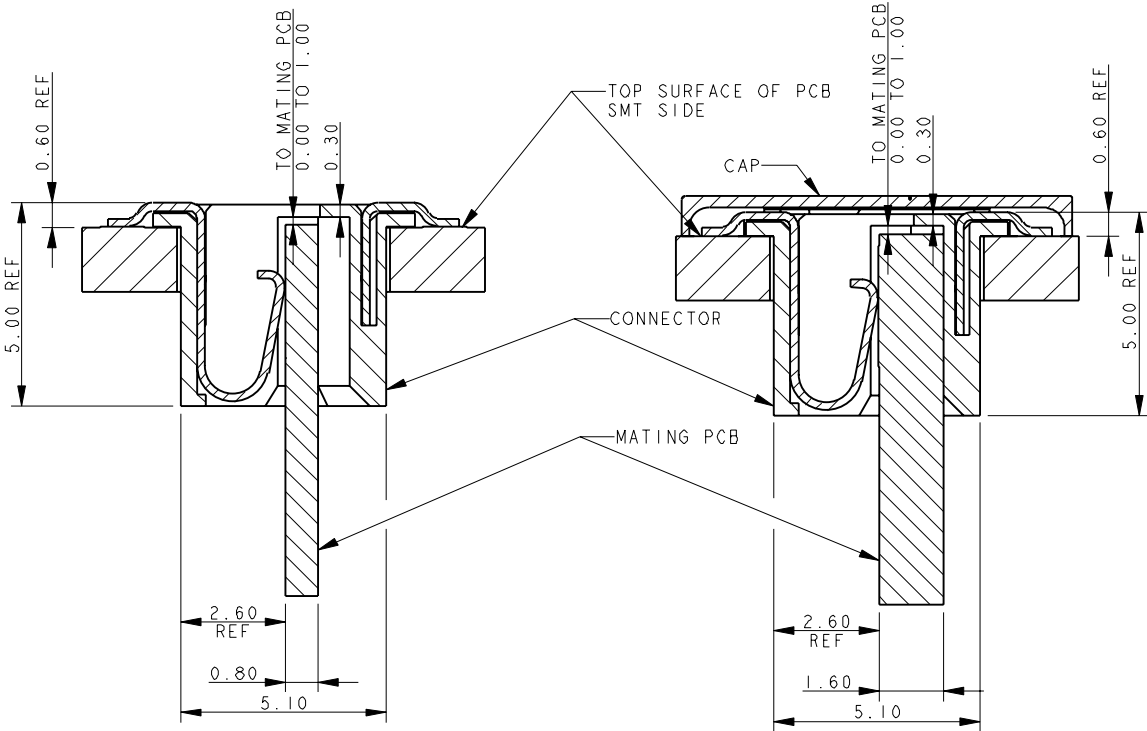


**THROUGH THE BOARD MATING EDGE CARD CONNECTOR**

**Elco Europe (A Division of AVX Ltd) CONFIDENTIAL PROPRIETY**  
**The document on this print and information therewith are PROPRIETY**  
**to Elco Europe (A Division of AVX Ltd) and shall not be copied**  
**or disclosed in whole or in part without Elco Europe's written consent.**

**CONNECTOR/PCB ASSEMBLY**  
**0.8mm MATING PCB**  
**NO CAP**

**CONNECTOR/PCB ASSEMBLY**  
**1.6mm MATING PCB**  
**WITH CAP**

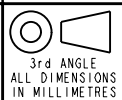


**NOTES :-**

1. THROUGH THE BOARD EDGE CARD CONNECTOR.
2. FOR MATING PCB EITHER 0.8mm OR 1.6mm THICK. REFER TO SHEET 7 FOR MATING PCB DETAILS.
3. CONNECTOR TOP MOUNTING ON PCB.
4. PAD DETAILS ON THE MATING PCB ALLOW CONTACT TO BE MADE IN ANY POSITION FROM THE STOP FACE UP TO 1mm FROM THE STOP FACE.
5. GENERAL TOLERANCE  $\pm 0.20$  UNLESS STATED.

ELCO EUROPE (A DIVISION OF AVX LTD.) CONFIDENTIAL PROPRIETY  
 THE DRAWING ON THIS PRINT AND INFORMATION THEREWITH ARE PROPRIETARY TO ELCO EUROPE (A DIVISION OF AVX LTD.) AND SHALL NOT BE USED OR DISCLOSED IN WHOLE OR IN PART WITHOUT ELCO EUROPE'S WRITTEN CONSENT.

|             |            |
|-------------|------------|
| Release No. | 102809     |
| History     | 10.11.2011 |
|             | 06.01.2012 |
|             | 12.01.2012 |
|             | 03.02.2012 |
|             | 08.02.2012 |
|             | 28.03.2012 |
|             | 102876     |
|             | 26.04.2012 |
|             | 102879     |
|             | 14.03.2012 |
|             | 26.06.2012 |
|             | 24.07.2012 |



|       |        |
|-------|--------|
| Drawn | N.C.H. |
| Size  | CV     |

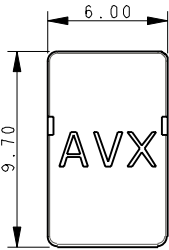
|             |                                    |
|-------------|------------------------------------|
| Description | 9159 THROUGH BOARD - ORDERING CODE |
| Part Number | 00-9159-01_500S                    |

|       |           |
|-------|-----------|
| DATE  | 06-Jan-12 |
| Issue | 6         |

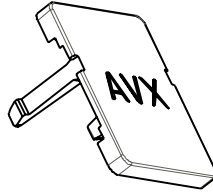
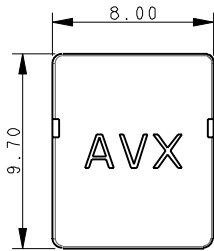


**ACCESSORY - PROTECTING CAP**

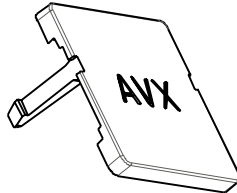
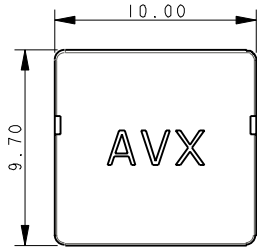
Elco Europe (A Division of AVX Ltd) CONFIDENTIAL PROPRIETY  
 The document on this print and information therewith are PROPRIETY  
 to Elco Europe (A Division of AVX Ltd) and shall not be copied  
 or disclosed in whole or in part without Elco Europe's written consent.



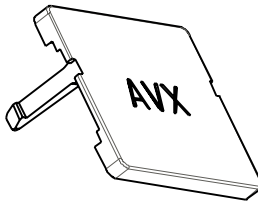
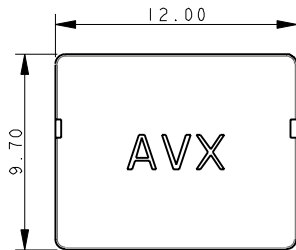
2 WAY  
60-9159-3502-09-000



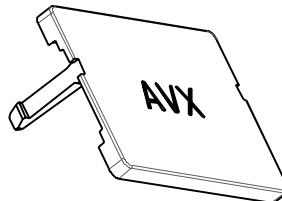
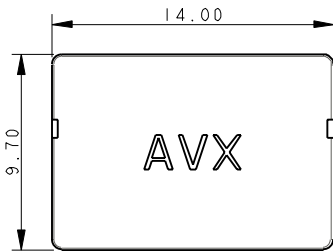
3 WAY  
60-9159-3503-09-000



4 WAY  
60-9159-3504-09-000

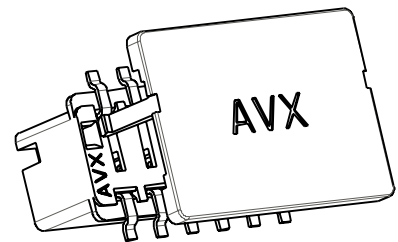
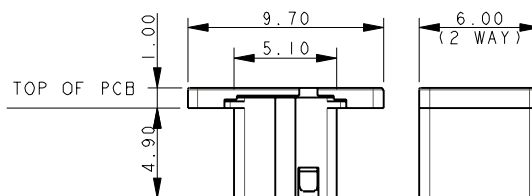


5 WAY  
60-9159-350-09-000



6 WAY  
60-9159-3506-09-000

- NOTES :-  
 1. PROTECTING CAP, ACCESSORY, NOT SUPPLIED WITH CONNECTOR.  
 2. CLIPS TO TOP OF CONNECTOR TO COVER ALL METAL COMPONENTS.  
 3. MATERIAL :- PA4T, GLASS FILLED, HALOGEN FREE, UL94 V-0,  
 COLOUR CODE REFER TO SHEET 1, "X" IN PART NUMBER.  
 4. SUPPLIED IN BAGS OF 1000 PIECES.  
 5. GENERAL TOLERANCE  $\pm 0.20$ .  
 12. UL REFERENCE E90723.

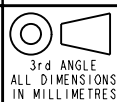


**ASSEMBLED CAP**

ELCO EUROPE (A DIVISION OF AVX LTD.) CONFIDENTIAL PROPRIETY  
 THE DRAWING ON THIS PRINT AND INFORMATION THEREWITH ARE  
 PROPRIETARY TO ELCO EUROPE (A DIVISION OF AVX LTD.) AND  
 SHALL NOT BE USED OR DISCLOSED IN WHOLE OR IN PART  
 WITHOUT ELCO EUROPE'S WRITTEN CONSENT.

SHEET 10 OF 10

|             |            |
|-------------|------------|
| Release No. | 102809     |
| History     | 10.11.2011 |
|             | 06.01.2012 |
|             | 12.01.2012 |
|             | 03.02.2012 |
|             | 08.02.2012 |
|             | 08.03.2012 |
|             | 28.03.2012 |
|             | 102876     |
|             | 26.04.2012 |
|             | 102879     |
|             | 14.03.2012 |
|             | 15.03.2012 |
|             | 26.06.2012 |
|             | 24.07.2012 |



Drawn  
 N.C.H.  
 Size  
 CV

Description  
 9159 THROUGH BOARD - ORDERING CODE  
 Part Number  
 00-9159-01\_500S

DATE  
 06-Jan-12  
 Issue  
 6

FORM-106-01-036-6 ISS 7

Компания «Океан Электроники» предлагает заключение долгосрочных отношений при поставках импортных электронных компонентов на взаимовыгодных условиях!

Наши преимущества:

- Поставка оригинальных импортных электронных компонентов напрямую с производств Америки, Европы и Азии, а так же с крупнейших складов мира;
- Широкая линейка поставок активных и пассивных импортных электронных компонентов (более 30 млн. наименований);
- Поставка сложных, дефицитных, либо снятых с производства позиций;
- Оперативные сроки поставки под заказ (от 5 рабочих дней);
- Экспресс доставка в любую точку России;
- Помощь Конструкторского Отдела и консультации квалифицированных инженеров;
- Техническая поддержка проекта, помощь в подборе аналогов, поставка прототипов;
- Поставка электронных компонентов под контролем ВП;
- Система менеджмента качества сертифицирована по Международному стандарту ISO 9001;
- При необходимости вся продукция военного и аэрокосмического назначения проходит испытания и сертификацию в лаборатории (по согласованию с заказчиком);
- Поставка специализированных компонентов военного и аэрокосмического уровня качества (Xilinx, Altera, Analog Devices, Intersil, Interpoint, Microsemi, Actel, Aeroflex, Peregrine, VPT, Syfer, Eurofarad, Texas Instruments, MS Kennedy, Miteq, Cobham, E2V, MA-COM, Hittite, Mini-Circuits, General Dynamics и др.);

Компания «Океан Электроники» является официальным дистрибьютором и эксклюзивным представителем в России одного из крупнейших производителей разъемов военного и аэрокосмического назначения «JONHON», а так же официальным дистрибьютором и эксклюзивным представителем в России производителя высокотехнологичных и надежных решений для передачи СВЧ сигналов «FORSTAR».



## JONHON

«JONHON» (основан в 1970 г.)

Разъемы специального, военного и аэрокосмического назначения:

(Применяются в военной, авиационной, аэрокосмической, морской, железнодорожной, горно- и нефтедобывающей отраслях промышленности)

«FORSTAR» (основан в 1998 г.)

ВЧ соединители, коаксиальные кабели,  
кабельные сборки и микроволновые компоненты:

(Применяются в телекоммуникациях гражданского и специального назначения, в средствах связи, РЛС, а так же военной, авиационной и аэрокосмической отраслях промышленности).



Телефон: 8 (812) 309-75-97 (многоканальный)

Факс: 8 (812) 320-03-32

Электронная почта: [ocean@oceanchips.ru](mailto:ocean@oceanchips.ru)

Web: <http://oceanchips.ru/>

Адрес: 198099, г. Санкт-Петербург, ул. Калинина, д. 2, корп. 4, лит. А