

Dual 3A Boost/Inverting/SEPIC DC/DC Converter

DESCRIPTION

Demonstration circuit 1734A features the dual channel LT[®]8582 in boost and inverting regulator configurations. The circuit is designed to convert a 5V to 10V input source to 12V at 900mA and -12V at 590mA as shown in Table 1.

Table 1. Maximum Guaranteed Output Currents

V _{IN} (V)	MAX I _{LOAD1} (mA)	MAX I _{LOAD2} (mA)
4.5	775	540
5.0	900	590
5.5	1000	625

To limit the temperature rise of the chip to 40°C, on the demo board with no air flow, the maximum combined output power is 15W. Additional input bulk capacitance may be needed, subject to source impedance.

DC1734A is designed to survive output short circuit events. On the positive channel an external disconnect MOSFET protects the boost converter. The negative channel is based on dual inductor inverting topology and does not need the external MOSFET as it is inherently output short protected. The circuit board includes an option to install the external disconnect MOSFET at the input side of the positive channel. To use it, remove Q1 and R1 from the top of the circuit board and install them on the back, in the location of Q2 and R2. Then, place a jumper from Q1's source to drain and cut the top copper as shown in Figure 6.

To change the topology of channel 1 from boost to inverting: Replace D1 with a capacitor similar to C12, replace C2 with a diode similar to D3, placing the diode so that its cathode is connected to ground, and replace R16 with an inductor similar to L3.

To change the topology of channel 2 from inverting to boost: Replace C12 with a diode similar to D1, placing the diode so that its anode is connected to L2, replace D3 with a capacitor similar to C2, and replace L3 with a jumper resistor similar to R16. However, this configuration will not be output short protected since it lacks the external disconnect MOSFET.

Each channel of the LT8582 includes a 42V master and slave power switch combination with 3A total current and can easily be configured as a boost, SEPIC, inverting or flyback converter. The LT8582 has a 2.5V to 22V operating input range, UVLO, soft-start, programmable switching frequency and many other features. The LT8582 data sheet gives a complete description of the part, its operation and application information. The data sheet must be read in conjunction with this quick start guide for working on or modifying the demo circuit 1734A.

Design files for this circuit board are available at <http://www.linear.com/demo>

LT, LT, LTC, LTM, Linear Technology and the Linear logo are registered trademarks of Linear Technology Corporation. All other trademarks are the property of their respective owners.

PERFORMANCE SUMMARY (T_A = 25°C)

SYMBOL	PARAMETER	CONDITIONS	MIN	TYP	MAX	UNITS
V _{IN}	Input Supply Range		5		10	V
V _{OUT1}	Channel 1 Output Voltage Accuracy	V _{IN} = 5V to 10V, I _{LOAD} = 900mA	11.6	12	12.4	V
	Channel 1 Output Voltage Ripple	V _{IN} = 5V, I _{LOAD} = 900mA		60		mV _{PP}
	Channel 1 Efficiency	V _{IN} = 5V, I _{LOAD} = 900mA		86		%
	Channel 1 Efficiency	V _{IN} = 10V, I _{LOAD} = 900mA		92		%
V _{OUT2}	Channel 2 Output Voltage Accuracy	V _{IN} = 5V to 10V, I _{LOAD} = 590mA	-11.5	-12	-12.3	V
	Channel 2 Output Voltage Ripple	V _{IN} = 5V, I _{LOAD} = 590mA		56		mV _{PP}
	Channel 2 Efficiency	V _{IN} = 5V, I _{LOAD} = 590mA		83		%
	Channel 2 Efficiency	V _{IN} = 10V, I _{LOAD} = 590mA		85		%
f _S	Switching Frequency			1		MHz

dc1734af

QUICK START PROCEDURE

Demonstration circuit DC1734A is easy to set up to evaluate the performance of the LT8582. Refer to Figure 1 for proper measurement equipment set-up and follow the procedure below.

To measure voltage ripple, care must be taken to avoid a long ground lead on the oscilloscope probe. Remove the oscilloscope probe end cap and ground lead and set the bandwidth limit on the oscilloscope. Measure the input voltage ripple by touching the probe tip and ground directly across V_{IN} and GND terminals. See Figure 2 for proper input voltage ripple measurement technique. Measure the positive output voltage ripple by touching the probe tip directly across output capacitor C16 terminals, connecting the probe ground terminal to the board's GND plane. Measure the negative output voltage ripple by touching the probe tip directly across output capacitor C9, connecting the probe ground terminal to the board's GND plane. See Figure 3 for proper output voltage ripple measurement technique.

1. Place the on board jumpers in the following positions:
To activate boost converter: **JP1 ON**
To activate inverting converter: **JP2 ON**
2. With power off, connect the input power supply to V_{IN} and GND. Apply 7.5V to the input (source must have greater than 10A capability).
3. Check for the proper output voltages.

NOTE. If there is no output, temporarily disconnect the load to make sure that the load is not set too high.

4. Once the proper output voltage is established, adjust the load and the input voltage within the operating range and observe the output voltage regulation, ripple voltage, efficiency and other parameters. The efficiency graphs of the two channels are provided in Figure 4 and Figure 5.

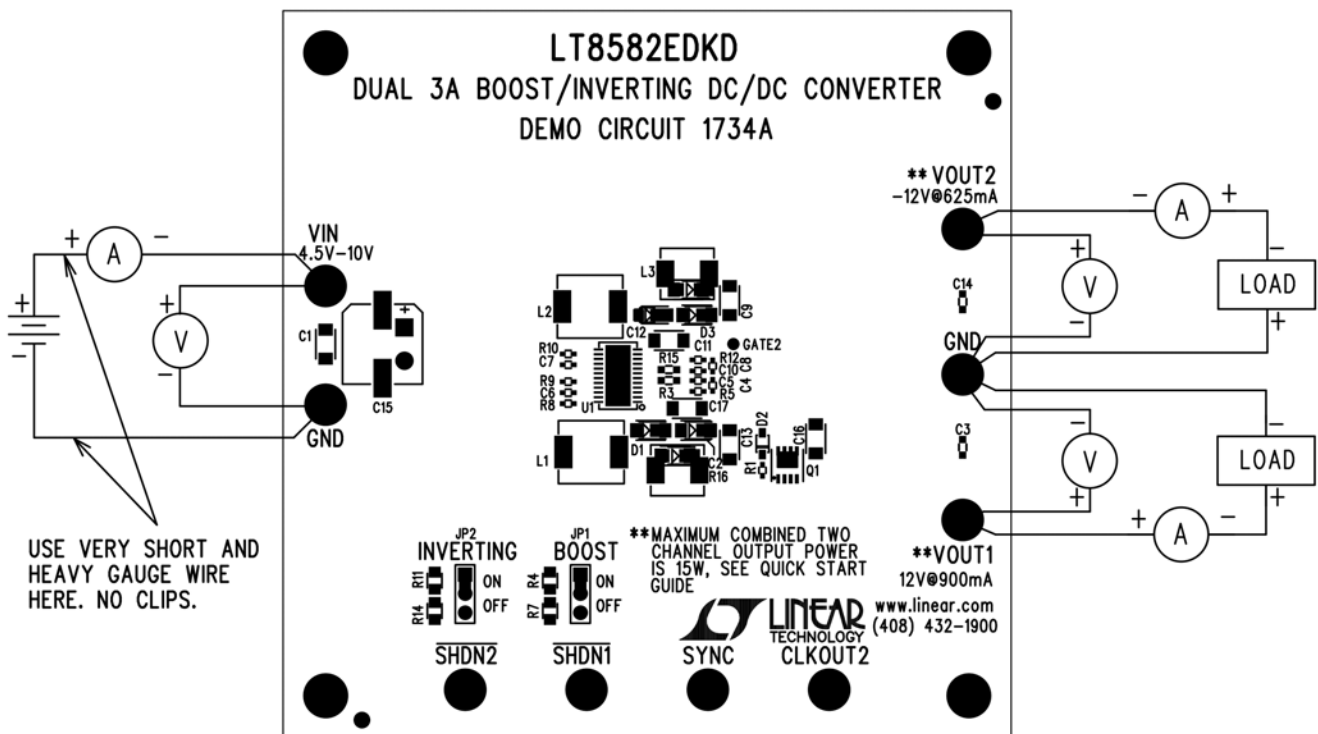


Figure 1. Proper Measurement Equipment Setup

QUICK START PROCEDURE

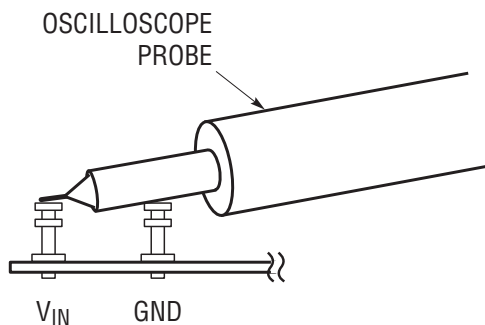


Figure 2. Proper Input Voltage Ripple Measurement Technique

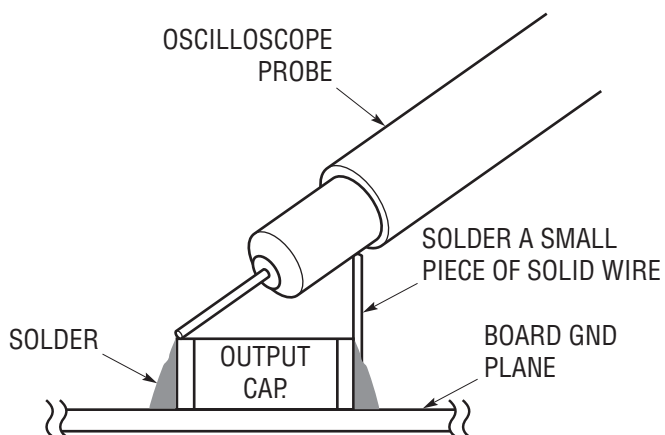


Figure 3. Proper Output Voltage Ripple Measurement Technique

QUICK START PROCEDURE

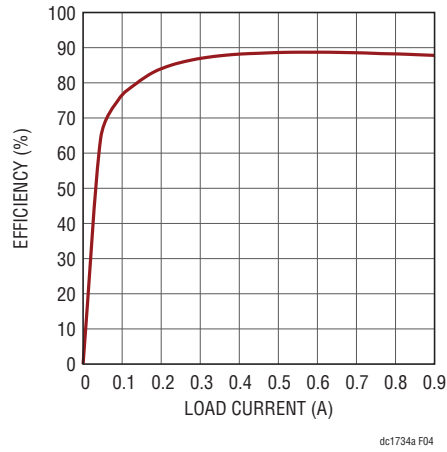


Figure 4. Channel 1 Boost Regulator Efficiency at $V_{IN} = 5V$

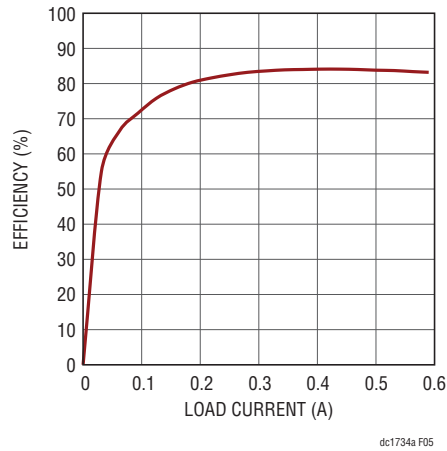


Figure 5. Channel 2 Inverting Regulator Efficiency at $V_{IN} = 5V$

BOARD MODIFICATIONS

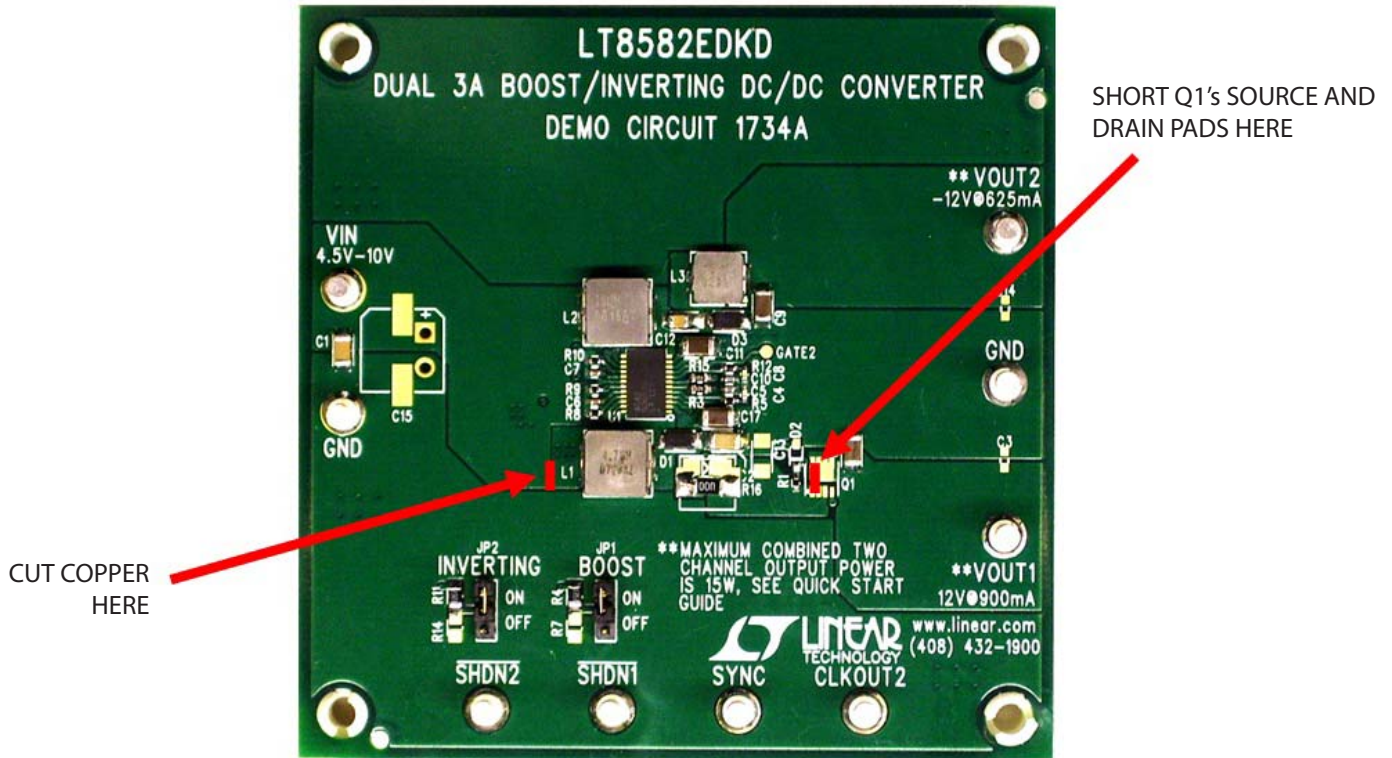


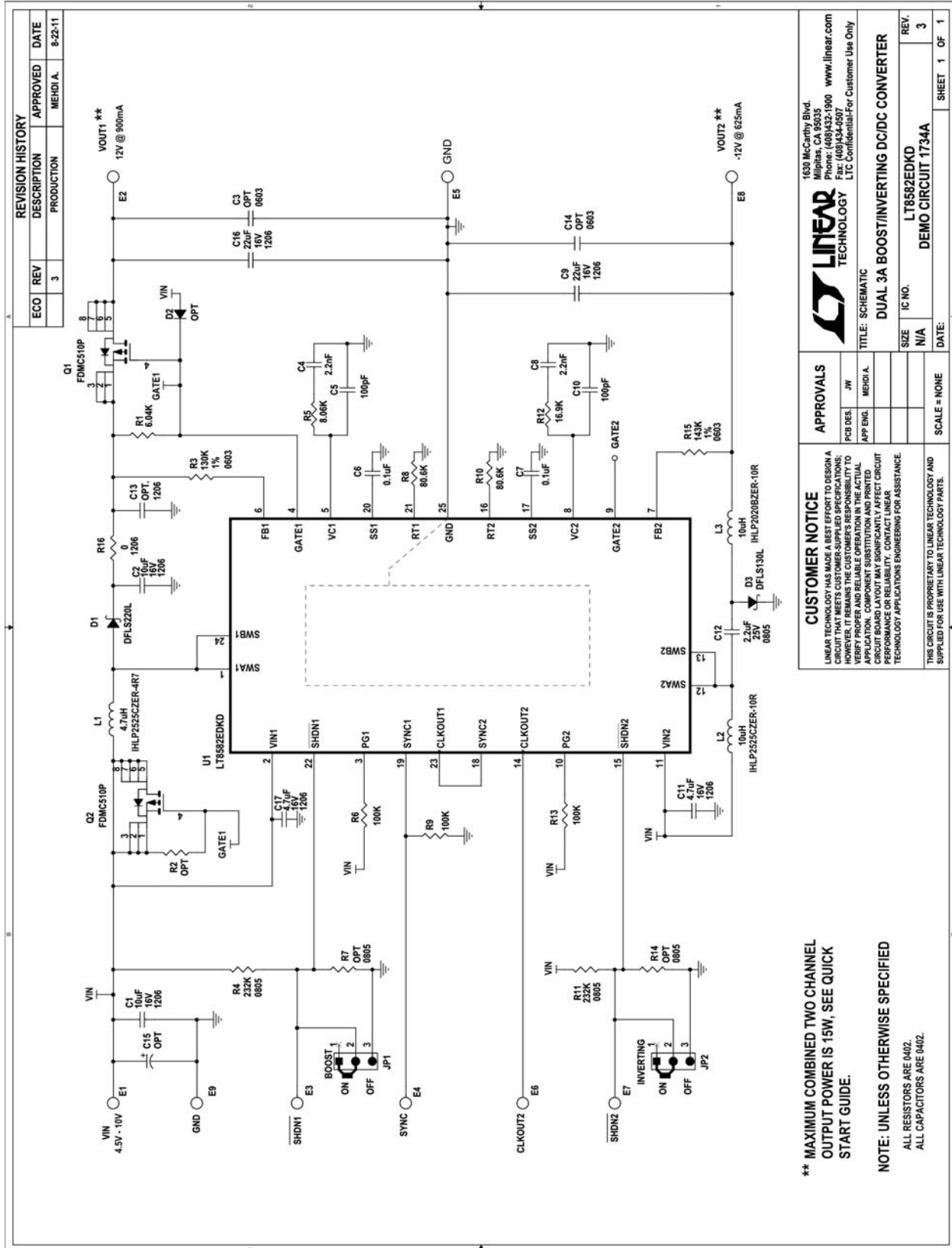
Figure 6. Using Channel 1 Input Disconnect Option (See Text)

DEMO MANUAL DC1734A

PARTS LIST

ITEM	QTY	REFERENCE	PART DESCRIPTION	MANUFACTURER/PART NUMBER
Required Circuit Components				
1	3	C1, C2	CAP, X5R, 10 μ F, 16V, 20% 1206	AVX, 1206YD106MAT2A
2	1	C9, C16	CAP, X5R, 22 μ F, 16V, 20% 1206	TAIYO YUDEN, EMK316BJ226ML-T
3	2	C11, C17	CAP, X5R, 4.7 μ F, 16V, 20% 1206	TAIYO YUDEN, EMK316BJ475ML-T
4	2	C4, C8	CAP, X7R, 2.2nF, 50V, 10%, 0402	AVX, 04025C222KAT2A
5	2	C5, C10	CAP, NPO, 100pF, 16V, 10%, 0402	AVX, 0402YA101KAT2A
6	2	C6, C7	CAP, X7R, 0.1 μ F, 16V, 10% 0402	TDK, C1005X7R1C104K
7	1	C12	CAP, X7R, 2.2 μ F, 25V, 10%, 0805	MURATA, GRM21BR71E225KA73L
8	1	D1	RECTIFIER, DFLS220L, PowerDI-123	DIODES/ZETEX, DFLS220L-7
9	1	D3	RECTIFIER, DFLS130L, PowerDI-123	DIODES/ZETEX, DFLS130L-7
10	1	L1	INDUCTOR, 4.7 μ H	VISHAY, IHLP2525CZER4R7M11
11	1	L2	INDUCTOR, 10 μ H	VISHAY, IHLP2525CZER100M11
12	1	L3	INDUCTOR, 10 μ H	VISHAY, IHLP2020BZER100M11
13	1	Q1	P-CH MOSFET, FDMC510P, POWER-33	FAIRCHILD, FDMC510P
14	1	R1	RES., CHIP, 6.04k, 1/16W, 1% 0402	VISHAY, CRCW04026K04FKED
15	1	R3	RES., CHIP, 130k, 1/10W, 1%, 0603	NIC, NRC06F1303TRF
16	2	R4, R11	RES., CHIP, 232k, 1/8W, 1%, 0805	VISHAY, CRCW0805232KFKEA
17	1	R5	RES., CHIP, 8.06k, 1/16W, 1% 0402	VISHAY, CRCW04028K06FKED
18	2	R8, R10	RES., CHIP, 80.6k, 1/16W, 1% 0402	VISHAY, CRCW040280K6FKED
19	3	R6, R9, R13	RES., CHIP, 100k, 1/16W, 5% 0402	NIC, NRC04J104TRF
20	1	R12	RES., CHIP, 16.9k, 1/16W, 1% 0402	VISHAY, CRCW040216K9FKED
21	1	R15	RES., CHIP, 143k, 1/10W, 1%, 0603	NIC, NRC06F1433TRF
22	1	R16	RES., CHIP, 0 Ω , 1/4W, 1206	NIC, NRC12ZOTR
23	1	U1	IC., LT8582EDKD, DFN-24(7MMX4MM)	LINEAR TECH., LT8582EDKD
Additional Demo Board Circuit Components				
1	0	C3, C14	CAP, 0603, OPTION	
2	0	C13	CAP, 1206, OPTION	
3	0	C15	CAP, SMD 8X10.5 & THRU HOLE 8X9.5, OPTION	
4	0	D2	DIODE, SOD-323, OPTION	
5	0	Q2	MOSFET, POWER-33, OPTION	
6	0	R2	RES., CHIP, 0402, OPTION	
7	0	R7, R14	RES., CHIP, 0805, OPTION	
Hardware for Demo Board Only				
1	9	E1-E9	TESTPOINT, TURRET, .094" pbf	MILL-MAX, 2501-2-00-80-00-00-07-0
2	2	JP1, JP2	3 PIN 0.079 SINGLE ROW HEADER	SAMTEC, TMM103-02-L-S
3	2	XJP1, XJP2	SHUNT, .079" CENTER	SAMTEC, 2SN-BK-G
4	4	(STAND-OFF)	STAND-OFF, NYLON 0.25"	KEYSTONE, 8831(SNAP ON)
5	1		FAB, PRINTED CIRCUIT BOARD	DEMO CIRCUIT 1734A

SCHEMATIC DIAGRAM



REVISION HISTORY				
ECO	REV	DESCRIPTION	APPROVED	DATE
	3	PRODUCTION	MEHDI A.	8-22-11

APPROVALS

PGD DES.	JW
APP ENG.	MEHDI A.

CUSTOMER NOTICE

LINEAR TECHNOLOGY HAS MADE A BEST EFFORT TO DESIGN A CIRCUIT THAT MEETS CUSTOMER-SUPPLIED SPECIFICATIONS; HOWEVER, IT REMAINS THE CUSTOMER'S RESPONSIBILITY TO VERIFY THE DESIGN FOR CORRECTNESS AND TO MAKE ANY NECESSARY ADJUSTMENTS TO THE DESIGN FOR LOCAL APPLICATION. COMPONENT SUBSTITUTION AND PRINTED CIRCUIT BOARD LAYOUT MAY SIGNIFICANTLY AFFECT CIRCUIT PERFORMANCE OR RELIABILITY. CONTACT LINEAR TECHNOLOGY APPLICATIONS ENGINEERING FOR ASSISTANCE.

THIS CIRCUIT IS PROPRIETARY TO LINEAR TECHNOLOGY AND IS SUPPLIED FOR USE WITH LINEAR TECHNOLOGY PARTS.

LINEAR TECHNOLOGY

1630 McCarthy Blvd
Milpitas, CA 95035
Phone: (408)432-1900 www.linear.com
Fax: (408)434-9597
LTC Confidential-For Customer Use Only

TITLE: SCHEMATIC

DUAL 3A BOOST/INVERTING DC/DC CONVERTER

SIZE: IC NO. N/A

REV. 3

DATE: 8-22-11

SHEET 1 OF 1

**** MAXIMUM COMBINED TWO CHANNEL OUTPUT POWER IS 15W, SEE QUICK START GUIDE.**

NOTE: UNLESS OTHERWISE SPECIFIED ALL RESISTORS ARE 0402. ALL CAPACITORS ARE 0402.

DEMO MANUAL DC1734A

DEMONSTRATION BOARD IMPORTANT NOTICE

Linear Technology Corporation (LTC) provides the enclosed product(s) under the following **AS IS** conditions:

This demonstration board (DEMO BOARD) kit being sold or provided by Linear Technology is intended for use for **ENGINEERING DEVELOPMENT OR EVALUATION PURPOSES ONLY** and is not provided by LTC for commercial use. As such, the DEMO BOARD herein may not be complete in terms of required design-, marketing-, and/or manufacturing-related protective considerations, including but not limited to product safety measures typically found in finished commercial goods. As a prototype, this product does not fall within the scope of the European Union directive on electromagnetic compatibility and therefore may or may not meet the technical requirements of the directive, or other regulations.

If this evaluation kit does not meet the specifications recited in the DEMO BOARD manual the kit may be returned within 30 days from the date of delivery for a full refund. **THE FOREGOING WARRANTY IS THE EXCLUSIVE WARRANTY MADE BY THE SELLER TO BUYER AND IS IN LIEU OF ALL OTHER WARRANTIES, EXPRESSED, IMPLIED, OR STATUTORY, INCLUDING ANY WARRANTY OF MERCHANTABILITY OR FITNESS FOR ANY PARTICULAR PURPOSE. EXCEPT TO THE EXTENT OF THIS INDEMNITY, NEITHER PARTY SHALL BE LIABLE TO THE OTHER FOR ANY INDIRECT, SPECIAL, INCIDENTAL, OR CONSEQUENTIAL DAMAGES.**

The user assumes all responsibility and liability for proper and safe handling of the goods. Further, the user releases LTC from all claims arising from the handling or use of the goods. Due to the open construction of the product, it is the user's responsibility to take any and all appropriate precautions with regard to electrostatic discharge. Also be aware that the products herein may not be regulatory compliant or agency certified (FCC, UL, CE, etc.).

No License is granted under any patent right or other intellectual property whatsoever. **LTC assumes no liability for applications assistance, customer product design, software performance, or infringement of patents or any other intellectual property rights of any kind.**

LTC currently services a variety of customers for products around the world, and therefore this transaction **is not exclusive**.

Please read the DEMO BOARD manual prior to handling the product. Persons handling this product must have electronics training and observe good laboratory practice standards. **Common sense is encouraged.**

This notice contains important safety information about temperatures and voltages. For further safety concerns, please contact a LTC application engineer.

Mailing Address:

Linear Technology
1630 McCarthy Blvd.
Milpitas, CA 95035

Copyright © 2004, Linear Technology Corporation

Компания «Океан Электроники» предлагает заключение долгосрочных отношений при поставках импортных электронных компонентов на взаимовыгодных условиях!

Наши преимущества:

- Поставка оригинальных импортных электронных компонентов напрямую с производств Америки, Европы и Азии, а так же с крупнейших складов мира;
- Широкая линейка поставок активных и пассивных импортных электронных компонентов (более 30 млн. наименований);
- Поставка сложных, дефицитных, либо снятых с производства позиций;
- Оперативные сроки поставки под заказ (от 5 рабочих дней);
- Экспресс доставка в любую точку России;
- Помощь Конструкторского Отдела и консультации квалифицированных инженеров;
- Техническая поддержка проекта, помощь в подборе аналогов, поставка прототипов;
- Поставка электронных компонентов под контролем ВП;
- Система менеджмента качества сертифицирована по Международному стандарту ISO 9001;
- При необходимости вся продукция военного и аэрокосмического назначения проходит испытания и сертификацию в лаборатории (по согласованию с заказчиком);
- Поставка специализированных компонентов военного и аэрокосмического уровня качества (Xilinx, Altera, Analog Devices, Intersil, Interpoint, Microsemi, Actel, Aeroflex, Peregrine, VPT, Syfer, Eurofarad, Texas Instruments, MS Kennedy, Miteq, Cobham, E2V, MA-COM, Hittite, Mini-Circuits, General Dynamics и др.);

Компания «Океан Электроники» является официальным дистрибьютором и эксклюзивным представителем в России одного из крупнейших производителей разъемов военного и аэрокосмического назначения «JONHON», а так же официальным дистрибьютором и эксклюзивным представителем в России производителя высокотехнологичных и надежных решений для передачи СВЧ сигналов «FORSTAR».



JONHON

«JONHON» (основан в 1970 г.)

Разъемы специального, военного и аэрокосмического назначения:

(Применяются в военной, авиационной, аэрокосмической, морской, железнодорожной, горно- и нефтедобывающей отраслях промышленности)

«FORSTAR» (основан в 1998 г.)

ВЧ соединители, коаксиальные кабели, кабельные сборки и микроволновые компоненты:

(Применяются в телекоммуникациях гражданского и специального назначения, в средствах связи, РЛС, а так же военной, авиационной и аэрокосмической отраслях промышленности).



Телефон: 8 (812) 309-75-97 (многоканальный)

Факс: 8 (812) 320-03-32

Электронная почта: ocean@oceanchips.ru

Web: <http://oceanchips.ru/>

Адрес: 198099, г. Санкт-Петербург, ул. Калинина, д. 2, корп. 4, лит. А