

Interactive Catalog Supplements Catalog PDFs

If you need detailed product information, or help choosing the right product for your application, see our [Interactive Catalog](#). Use the [Interactive Catalog](#) to access the most complete and up-to-date information available.

The [Interactive Catalog](#) provides an extensive collection of product specifications, application data, and technical literature that can be searched based on criteria you select.

This PDF catalog information was published in November 2000.



Sensing and Control
[Interactive
Catalog...](#)

**Click this icon to try
the Interactive Catalog.**

Sensing and Control

Honeywell Inc.

11 West Spring Street

Freeport, IL 61032

Compact Enclosed Switches



FEATURES

- Side or flange mount
- Momentary or maintained contact
- Grounding screw
- High capacity (22 amp) available
- Temperature range -25°F to +160°F (-32° to +71°C)
- Cast zinc housing NEMA 1
- UL Recognized, file #E12252
- CSA Certified, file #LR41372
- E6 NEMA 1
- V6 NEMA 1, 3
- Epoxy filled NEMA 1, 3, 4, 12, 13
- Preleaded or connector termination options

STRAIGHT PLUNGER ACTUATED SWITCHES



Side mount with seal boot



Side mount without seal boot

ROLLER PLUNGER ACTUATED SWITCHES



Side mount with seal boot

E6 (side mount) and V6 (flange mount) switches are offered with or without actuator seal boots. Both have a combination insulator/seal cemented inside the bottom enclosure. Lead washers are used to seal the

mounting holes on side mount switches. All side mount switches are installed with #6 screws, except the BZE6-2RN7 (#8 screws). Removal of the bottom enclosure exposes the terminals for easy wiring.

ELECTRICAL RATING

Circuitry	Electrical Rating	
<p>Single-pole Double-throw</p>	A	UL/CSA Rating: 15 amps, 125, 250 or 480 VAC: 2 amps, 600 VAC: 1/8 Hp, 125 VAC: 1/4 Hp, 250 VAC: 1/2 amp, 125 VDC: 1/4 amp, 250 VDC.
<p>Double-pole Double-throw</p>	B	UL/CSA Rating: 10 amps, 125 or 250 VAC: 0.3 amp, 125 VDC: 0.15 amp, 250 VDC.

ORDER GUIDE

Description	Elec. Rating	Mtg.	Catalog Listing	O.P. mm in.	O.F. N oz.	P.T. max. mm in.	O.T. min. mm in.	D.T. max. mm in.
With seal boot SPDT.	A	Side	BZE6-2RN	43,66 ± 0,76 1.719 ± .030	2,50- 6,67 9-24	1,98 .078	5,56 .219	0,05 .002
		Flange	BZV6-2RN	69,09 ± 1,52 2.720 ± .060				
Same as BZE6-2RN except #8 Mounting screws.	A	Side	BZE6-2RN7	43,66 ± 0,76 1.719 ± .030	2,50- 6,67 9-24	1,98 .078	5,56 .219	0,05 .002
With seal boot. DPDT.	B	Side	DTE6-2RN	46 ± 0,76 1.812 ± .030	7,23- 16,4 26-59	2,80 .110	3,17 .125	1,53 .060
		Flange	DTV6-2RN	71,4 ± 0,76 2.812 ± .030				
Without seal boot. SPDT.	A	Side	BZE6-2RQ	38,1 ± 0,76 1.500 ± .030	2,50- 3,62 9-13	0,38 .015	5,56 .219	0,05 .002
		Flange	BZV6-2RQ	63,5 ± 1,14 2.500 ± .045				

ORDER GUIDE

Description	Elec. Rating	Mtg.	Catalog Listing	O.P. mm in.	O.F. N oz.	P.T. max. mm in.	O.T. min. mm in.	D.T. max. mm in.
With seal boot. Roller parallel to long axis of switch. SPDT	A	Side	BZE6-2RN80	56,7 ± 1,14 2.232 ± .045	2,50- 6,68 9-24	1,98 .078	5,55 .219	0,05 .002
		Flange	BZV6-2RN80	82,1 ± 1,14 3.232 ± .045				
With seal boot. Roller parallel to long axis of switch. DPDT.	B	Side	DTE6-2RN80	59,6 ± 1,0 2,345 ± .040	5,56- 13,3 20-48	2,80 .110	3,17 .125	1,53 .060
Without seal boot. Roller parallel to long axis of switch. SPDT.	A	Side	BZE6-2RQ8	49,6 ± 1,14 1.953 ± .045	2,50- 3,62 9-13	0,38 .015	3,55 .140	0,05 .002
		Flange	BZV6-2RQ8	75 ± 1,52 2.953 ± .060				

N = Newtons

Characteristics: O.F. — Operating Force; P.T. — Pretravel; O.T. — Overtravel; D.T. — Differential Travel; O.P. — Operating Position.

For rapid response – off the shelf service, all **bold face** listings are normally stocked items.

Compact Enclosed Switches

CROSS ROLLER PLUNGER ACTUATED SWITCHES



Flange mount
without seal boot

ORDER GUIDE

Description	Elec. Rating	Mtg.	Catalog Listing	O.P. mm in.	O.F. N oz.	P.T. mm in.	O.T. mm in.	D.T. max. mm in.
Without seal boot. Roller perpendicular to long axis of switch. SPDT.	A	Side	BZE6-2RQ81	49,6 ± 1,14 1.953 ± .045	2,50-3,62 9-13	0,38 .015	3,55 .140	0,05 .002
		Flange	BZV6-2RQ81	75 ± 1,52 2.953 ± .060				
As above with seal boot.	A	Side	BZE6-2RN81	56,7 ± 1,14 2.232 ± .045	2,5-6,67 9-24	1,98 .078	5,56 .219	0,05 .002
		Flange	BZV6-2RN81	82,1 ± 1,14 3.232 ± 0.45				

ROLLER LEVER ACTUATED SWITCHES



Flange mount
with seal boot



Side mount
without seal boot

ORDER GUIDE

Description	Elec. Rating	Mtg.	Catalog Listing	O.F. N oz.	P.T. max. mm in.	O.T. min. mm in.	D.T. max. mm in.
With seal boot. Field adjustable 360° horizontally and 225° vertically.	SPDT	A Side	BZE6-2RN2	2,78-5,57 10-20	4,78 .188	5,56 .219	0,15 .006
		A Flange	BZV6-2RN2				
	DPDT	B Side	DTE6-2RN2	2,78-8,35 10-30	6,76 .266	5,56 .219	4,19 .165
		B Flange	DTV6-2RN2				
Without seal boot. Adjustable as above, except horizontal adjustment in 45° increments.	SPDT	A Side	BZE6-2RQ2	2,78-5,01 10-18	4,78 .188	5,56 .219	0,15 .006
		A Flange	BZV6-2RQ2				
	DPDT	B Side	DTE6-2RQ2	2,78-5,57 10-20	6,76 .266	5,56 .219	4,19 .165
		B Side	DTE6-2RQ2				

ONE-WAY ROLLER LEVER ACTUATED SWITCHES



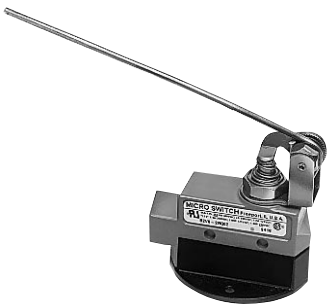
Side mount
with seal boot

ORDER GUIDE

Description	Elec. Rating	Mtg.	Catalog Listing	O.F. N oz.	P.T. max. mm in.	O.T. min. mm in.	D.T. max. mm in.
With seal boot. Field adjustable 360° horizontally and 180° vertically. SPDT.	A	Side	BZE6-2RN28	2,22-5,57 8-20	5,95 .234	5,56 .219	0,15 .006
		Flange	BZV6-2RN28				

LOW FORCE ROD LEVER

Rod can be formed in-line with the switch once, or cut, for application.



Flange mount
without seal boot

ORDER GUIDE

Description	Elec. Rating	Mtg.	Catalog Listing	O.F. N oz.	P.T. max. mm in.	O.T. min. mm in.	D.T. max. mm in.
Without seal boot. Field adjustable 360° horizontally in 45° increments and 250° vertically. SPDT.	A	Side	BZE6-2RQ62	0,55-1,39 2-5	18,24 .718	21,2 .838	5,82 .229
		Flange	BZV6-2RQ62				
As above, but with seal boot.	A	Side	BZE6-2RN62	0,83-1,95 3-7			
		Flange	BZV6-2RN62				

N = Newtons

Characteristics: O.F. — Operating Force; P.T. — Pretravel; O.T. — Overtravel; D.T. — Differential Travel

Limit/Enclosed

Compact Enclosed Switches

MANUALLY ACTUATED SWITCHES

With 1.5 inch (38,1 mm) button.



Side mount with seal boot

ORDER GUIDE

Description	Elec. Rating	Mtg.	Catalog Listing	O.F. N oz.	P.T. max. mm in.	O.T. min. mm in.	D.T. max. mm in.
With seal boot. Field adjustable 360° horizontally and 180° vertically. SPDT.	A	Side	BZE6-2RN4	2,78-	4,78	5,56	0,15
		Flange	BZV6-2RN4	5,57 10-20			
As above, but without seal boot.	A	Side	BZE6-2RQ4	2,78-	5,00	10-18	
		Flange	BZV6-2RQ4				

COIL SPRING



Side mount with seal boot

WOBBLE LEVER ACTUATED SWITCHES

ORDER GUIDE

Description	Elec. Rating	Mtg.	Catalog Listing	O.F. max. N oz.	P.T. max.
With seal boot. Operates from any direction, except pull. SPDT.	A	Side	BZE6-2RN18	1,95	15°
		Flange	BZV6-2RN18	7	

MAINTAINED CONTACT (RESET) SWITCHES

The switches shown below provide maintained contact after the operating force on either top or bottom plunger is released. Note: The top plungers on these switches provide more accurate and uniform operation than the "reset" plungers and should be used when closely held operating characteristics are required.

ELECTRICAL RATING

Circuitry	Electrical Rating
<p>Single-pole Double-throw</p>	<p>C UL/CSA Rating: L67 15 amps, 125, 250 or 480 VAC; ¼ Hp, 125 VAC; ½ Hp, 250 VAC; ½ amp, 125 VDC; ¼ amp, 250 VDC.</p>

STRAIGHT PLUNGER ACTUATED (RESET) SWITCHES



Side mount with seal boot

ORDER GUIDE

Description	Elec. Rating	Mtg.	Catalog Listing	O.P. mm in.	O.F. N oz.	P.T. max. mm in.	O.T. min. mm in.	Reset O.F. min. N* oz.
Without seal boot. SPDT.	C	Side	BZE6-RQX2	38,1±0,76 1.500±.030	1,66- 2,65 6-9.5	0,31 .012	4,75 .187	2,22 8
		Flange	BZV6-RQX2	63,5±1,1 2.500±.045				
With seal boot. SPDT.	C	Side	BZE6-RNX1	43,66±0,76 1.718±.030	1,66- 5,57 6-20	1,98 .078	4,75 .187	1,66 6
		Flange	BZV6-RNX1	69,1±1,53 2.720±.060				

ROLLER PLUNGER ACTUATED (RESET) SWITCHES



Side mount without seal boot

ORDER GUIDE

Description	Elec. Rating	Mtg.	Catalog Listing	O.P. mm in.	O.F. N oz.	P.T. max. mm in.	O.T. min. mm in.	Reset O.F. min. N* oz.
Without seal boot. Roller parallel to long axis to switch. SPDT.	C	Side	BZE6-RQ8X2	51,2±1,15 2.015±.045	1,67- 2,64 6-9.5	0,31 .012	3,56 .140	2,22 8

N = Newtons

Characteristics: O.F. — Operating Force; P.T. — Pretravel; O.T. — Overtravel; O.P. — Operating Position

Compact Enclosed Switches

ROLLER LEVER ACTUATED (RESET) SWITCHES

ORDER GUIDE



Side mount without seal boot

Description	Elec. Rating	Mtg.	Catalog Listing	O.F. max. N oz.	P.T. max. mm in.	O.T. min. mm in.	Reset O.F. min. N oz.
Without seal boot. Field adjustable 360° horizontally in 45° increments and 180° vertically. SPDT.	C	Side	BZE6-RQ2X2	2,78-5,01 10-18	4,78 .188	5,56 .219	2,22 8
		Flange	BZV6-RQ2X2				
With seal boot. Adjustable as above. SPDT.	C	Side	BZE6-RN2X1	4,45 16	4,78 .188	5,56 .219	3,33-8,35 12-30
		Flange	BZV6-RN2X1				

REPLACEMENT PARTS

Bottom enclosure includes bottom half of enclosure, insulator seal and two screws. Seal boot includes the elastomer plunger seal, and retaining hardware. Basic packet includes mounting hardware and seal boot, where applicable.

CONDUIT SEALING PACKETS

Packet	Cable O.D. Inches
2PA6	.400" - .435"
2PA16	.435" - .470"
2PA1	.530" - .570"

Limit/Enclosed

Catalog Listing	Bottom Enclosure	Seal Boot	Basic Packet	Switching Unit	Actuator
BZE6-2RN BZV6-2RN	3PA13-E6 3PA14-V6	10PA2	1PA2*	BZ-2RQ77**	—
BZE6-2RN7	3PA13-E6	10PA2	1PA46*	BZ-2RN730**	—
BZE6-2RQ BZV6-2RQ	3PA13-E6 3PA14-V6	—	1PA1	BZ-2RQ66**	—
BZE6-2RQ8 BZV6-2RQ8	3PA13-E6 3PA14-V6	—	—	BZ-2RQ784**	—
BZE6-2RQ81 BZV6-2RQ81	3PA13-E6 3PA14-V6	—	1PA19	BZ-2RQ785**	—
BZE6-2RN80	3PA13-E6	10PA2	1PA54-BZ*	BZ-2RN784	—
BZE6-2RN2 BZV6-2RN2	3PA13-E6 3PA14-V6	10PA2	1PA13*	BZ-2RN702**	6PA2*
BZE6-2RQ2 BZV6-2RQ2	3PA13-E6 3PA14-V6	—	1PA3	BZ-2RQ68**	6PA1
BZE6-2RN28 BZV6-2RN28	3PA13-E6 3PA14-V6	10PA2	1PA13*	BZ-2RN702**	6PA16*
BZE6-2RQ62 BZV6-2RQ62	3PA13-E6 3PA14-V6	—	1PA3	BZ-2RQ68**	6PA62
BZE6-2RN62 BZV6-2RN62	3PA13-E6 3PA14-V6	10PA2	1PA13*	BZ-2RN702**	6PA140-E6*
BZE6-2RQ4 BZV6-2RQ4	3PA13-E6 3PA14-V6	—	1PA3	BZ-2RQ68**	6PA7
BZE6-RQX2 BZV6-RQX2	8PA54-E6 8PA53-V6	—	1PA1	BZ-RQX66**	—
BZE6-RNX1 BZV6-RNX1	8PA56-E6 8PA55-V6	10PA2	1PA2*	BZ-RQX167**	—
BZE6-RQ8X2	8PA54-E6	—	1PA19	BZ-RQX784**	—
BZE6-RQ2X2 BZV6-RQ2X2	8PA54-E6 8PA53-V6	—	1PA3	BZ-RQX68**	6PA1
BZE6-RN2X1 BZV6-RN2X1	8PA56-E6 8PA55-V6	10PA2	1PA13*	BZ-RNX702**	6PA2*
BZE6-2RN4 BZV6-2RN4	3PA13-E6 3PA14-V6	10PA2	1PA13*	BZ-2RN702**	6PA9*
BZE6-2RN18 BZV6-2RN18	3PA13-E6 3PA14-V6	10PA2	—	BZ-2R-A2	6PA195*
DTE6-2RN† DTV6-2RN†	3PA13-E6 3PA14-V6	10PA2	1PA2*	DT-2R-A7	8PA14
DTE6-2RN2† DTV6-2RN2†	3PA13-E6 3PA14-V6	10PA2	—	DT-2R-A7	6PA2*

*Includes seal boot.

**Includes basic packet.

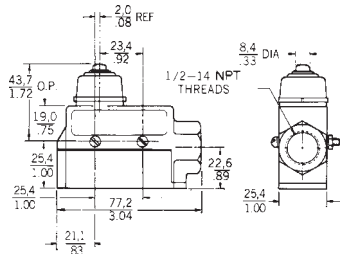
†To replace internal plunger, order 8PA14.

Limit and Enclosed Switches

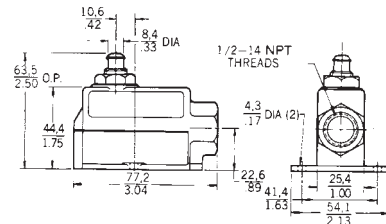
Mounting Dimensions (For reference only)

E6/V6 Series

STRAIGHT PLUNGER

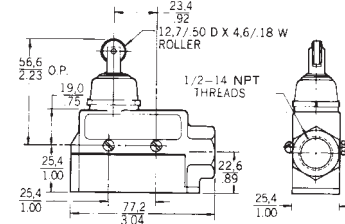


Side mount with seal boot



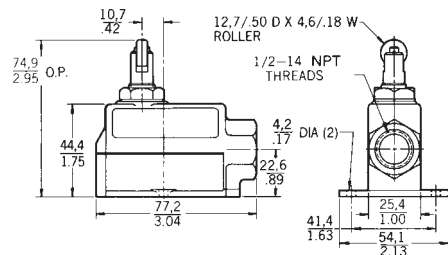
Flange mount without seal boot

ROLLER PLUNGER



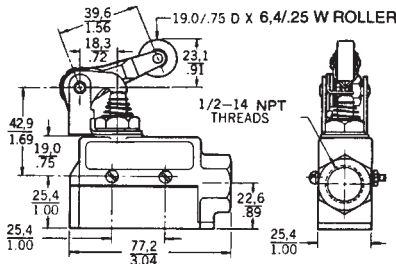
Side mount with seal boot

CROSS ROLLER PLUNGER

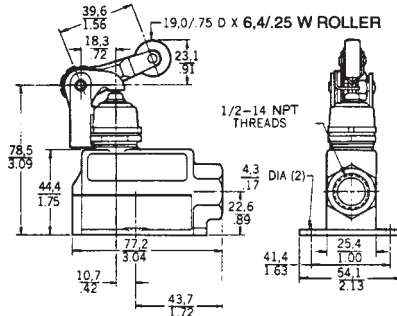


Flange mount without seal boot

ROLLER LEVER

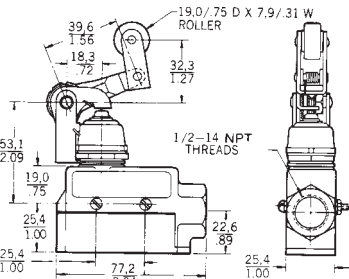


Side mount without seal boot



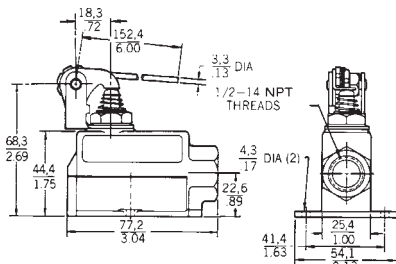
Flange mount with seal boot

ONE-WAY ROLLER LEVER



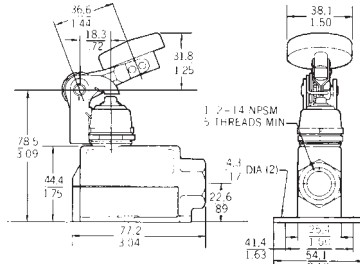
Side mount with seal boot

ROD LEVER



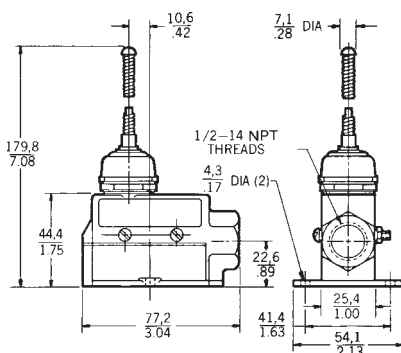
Flange mount without seal boot

MANUAL



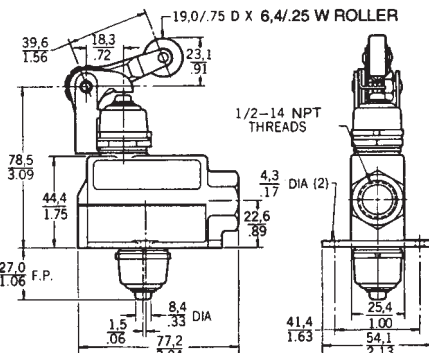
Side mount with seal boot

COIL SPRING

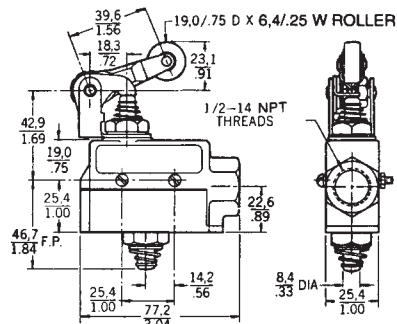


Flange mount with seal boot

ROLLER LEVER (Reset)



Flange mount with seal boot

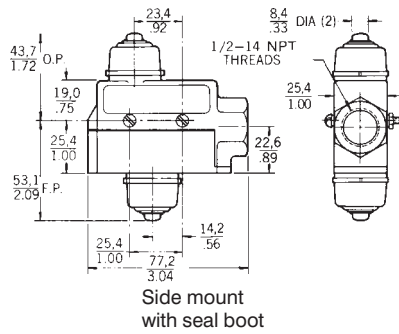


Side mount without seal boot

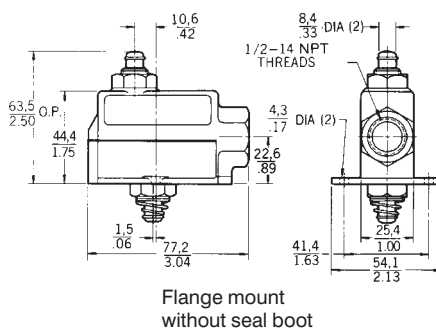
Epoxy Filled

MOUNTING DIMENSIONS (continued)

PLUNGER (Reset)

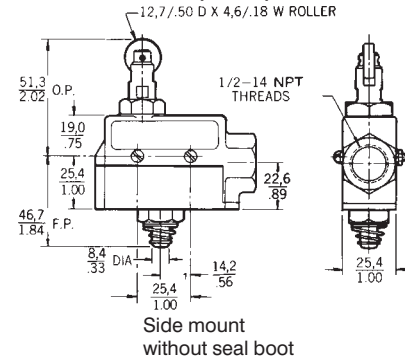


Side mount
with seal boot



Flange mount
without seal boot

ROLLER PLUNGER (Reset)



Side mount
without seal boot

Epoxy Filled Compact Enclosed Switches

The Epoxy Filled Compact Enclosed Switch is a very rugged, but economical solution for precision switching needs for a variety of applications in heavy equipment. **This may be the cost effective solution you've been looking for.**

TYPICAL APPLICATIONS

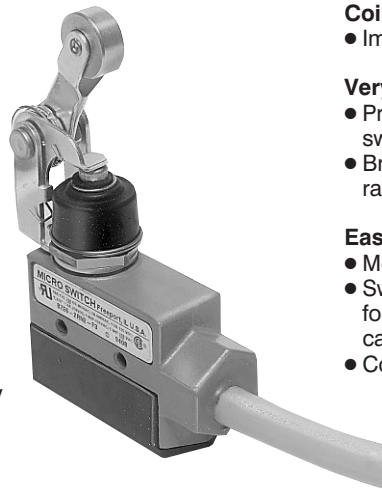
- Trash compactors – mobile or stationary
- Off-road construction equipment
- Machine tools where precision switching is needed
- Heavy machinery
- Bottling machinery

Designed for demanding environments

- Rugged zinc diecast housing with phosphate sealed epoxy finish

Resists harsh conditions

- Switch wiring cavity is epoxy filled
- Wire entry area completely factory sealed
- NEMA 1, 3, 4, 12, 13



Fits wide variety of applications

- Seven different actuator styles
- Coil spring boot band
- Improved sealing

Very reliable operation

- Precision snap-action basic switch within housing
- Broad electrical and temperature ranges

Easy and economical to install

- Mounts with just two screws
- Switch is preleaded with three (3) foot, four (4) conductor ST00W-A cable .41-.46 in. (10.4-11.7 mm)
- Connector versions available

ORDERING GUIDE FOR EPOXY FILLED E6/V6 TYPES

Description	Catalog Listing
Straight plunger.	BZE6-2RN-F3
Straight plunger 4 pin connector.	BZE6-2RN-FR
Roller lever. Field adjustable 360° horizontally and 225° vertically	BZE6-2RN2-F3
Coil spring wobble lever. Operates from any direction except pull.	BZE6-2RN18-C3*
Low force rod lever. Field adjustable 360° horizontally in 45° increments and 180° vertically.	BZE6-2RN62-F3

* Note: This switch has a pin plunger and the wiring cavity cannot be completely filled with epoxy. They are sealed at the conduit opening only.

Limit/Enclosed

Компания «Океан Электроники» предлагает заключение долгосрочных отношений при поставках импортных электронных компонентов на взаимовыгодных условиях!

Наши преимущества:

- Поставка оригинальных импортных электронных компонентов напрямую с производств Америки, Европы и Азии, а так же с крупнейших складов мира;
- Широкая линейка поставок активных и пассивных импортных электронных компонентов (более 30 млн. наименований);
- Поставка сложных, дефицитных, либо снятых с производства позиций;
- Оперативные сроки поставки под заказ (от 5 рабочих дней);
- Экспресс доставка в любую точку России;
- Помощь Конструкторского Отдела и консультации квалифицированных инженеров;
- Техническая поддержка проекта, помощь в подборе аналогов, поставка прототипов;
- Поставка электронных компонентов под контролем ВП;
- Система менеджмента качества сертифицирована по Международному стандарту ISO 9001;
- При необходимости вся продукция военного и аэрокосмического назначения проходит испытания и сертификацию в лаборатории (по согласованию с заказчиком);
- Поставка специализированных компонентов военного и аэрокосмического уровня качества (Xilinx, Altera, Analog Devices, Intersil, Interpoint, Microsemi, Actel, Aeroflex, Peregrine, VPT, Syfer, Eurofarad, Texas Instruments, MS Kennedy, Miteq, Cobham, E2V, MA-COM, Hittite, Mini-Circuits, General Dynamics и др.);

Компания «Океан Электроники» является официальным дистрибьютором и эксклюзивным представителем в России одного из крупнейших производителей разъемов военного и аэрокосмического назначения «**JONHON**», а так же официальным дистрибьютором и эксклюзивным представителем в России производителя высокотехнологичных и надежных решений для передачи СВЧ сигналов «**FORSTAR**».



JONHON

«**JONHON**» (основан в 1970 г.)

Разъемы специального, военного и аэрокосмического назначения:

(Применяются в военной, авиационной, аэрокосмической, морской, железнодорожной, горно- и нефтедобывающей отраслях промышленности)

«**FORSTAR**» (основан в 1998 г.)

ВЧ соединители, коаксиальные кабели, кабельные сборки и микроволновые компоненты:

(Применяются в телекоммуникациях гражданского и специального назначения, в средствах связи, РЛС, а так же военной, авиационной и аэрокосмической отраслях промышленности).



Телефон: 8 (812) 309-75-97 (многоканальный)

Факс: 8 (812) 320-03-32

Электронная почта: ocean@oceanchips.ru

Web: <http://oceanchips.ru/>

Адрес: 198099, г. Санкт-Петербург, ул. Калинина, д. 2, корп. 4, лит. А