

**PLEASE CHECK WWW.MOLEX.COM FOR LATEST PART INFORMATION**

**Part Number:** [0879781021](#)

**Status:** **Active**

**Description:** 1.00mm (.039") Pitch DDR-2 DIMM Socket, Vertical, with Beveled Metal Pins, Very Low Profile Black Latches, 240 Circuits, 1.8V Center Voltage Key, 3.18mm (.125") Tail Length, 0.38µm (15µ") Gold (Au) Plating, Lead-free

**Documents:**

[3D Model](#)

[Product Specification PS-87978-001 \(PDF\)](#)

[Drawing \(PDF\)](#)

[RoHS Certificate of Compliance \(PDF\)](#)

**Agency Certification**

CSA	LR19980
UL	E29179

**General**

Product Family	Memory Module Sockets
Series	<a href="#">87978</a>
Comments	<LI> Latches in Black Color
Component Type	Memory Module
JEDEC Outline	N/A
Product Name	DDR2 DIMM

**Physical**

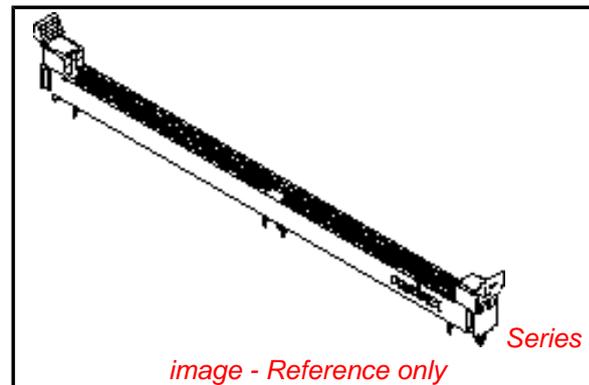
Circuits (Loaded)	240
Color - Resin	Black
Durability (mating cycles max)	25
Entry Angle	Vertical (Top Entry)
Flammability	94V-0
Keying to Mating Part	Yes
Material - Metal	Brass, Phosphor Bronze
Material - Plating Mating	Gold
Material - Plating Termination	Tin
Material - Resin	High Temperature Thermoplastic
PC Tail Length (in)	0.125 In
PC Tail Length (mm)	3.18 mm
PCB Retention	Yes
PCB Thickness Recommended (in)	0.093 In
PCB Thickness Recommended (mm)	2.40 mm
Packaging Type	Tray
Pitch - Mating Interface (in)	0.039 In
Pitch - Mating Interface (mm)	1.00 mm
Plating min: Mating (µin)	15.2
Plating min: Mating (µm)	0.38
Plating min: Termination (µin)	101.6
Plating min: Termination (µm)	2.54
Temperature Range - Operating	-10°C to +85°C
Termination Interface: Style	Through Hole

**Electrical**

Current - Maximum per Contact	0.5A
Voltage - Maximum	30V
Voltage Key	1.8V, Center

**Solder Process Data**

Duration at Max. Process Temperature (seconds)	10
Lead-free Process Capability	Wave Capable (TH only)
Max. Cycles at Max. Process Temperature	1



*image - Reference only*

**EU RoHS**

**ELV and RoHS  
Compliant**

**REACH SVHC**

**Contains SVHC: No**

**Halogen-Free**

**Status**

**Not Reviewed**

**China RoHS**



**Need more information on product  
environmental compliance?**

Email [productcompliance@molex.com](mailto:productcompliance@molex.com)  
For a multiple part number RoHS Certificate of  
Compliance, [click here](#)

Please visit the [Contact Us](#) section for any  
non-product compliance questions.

**Search Parts in this Series**

[87978Series](#)

**Mates With**

JEDEC standard 1.27mm modules

Process Temperature max. C

265

**Material Info**

**Reference - Drawing Numbers**

Product Specification

PS-87978-001, RPS-87978-001

Sales Drawing

SD-87978-001

This document was generated on 05/20/2010

**PLEASE CHECK [WWW.MOLEX.COM](http://WWW.MOLEX.COM) FOR LATEST PART INFORMATION**

10 9 8 7 6 5 4 3 2 1

F

E

D

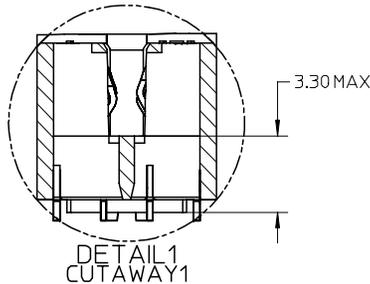
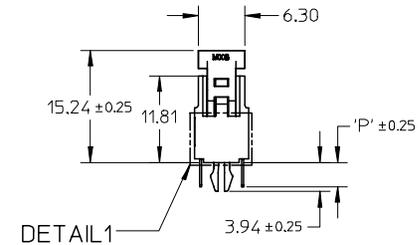
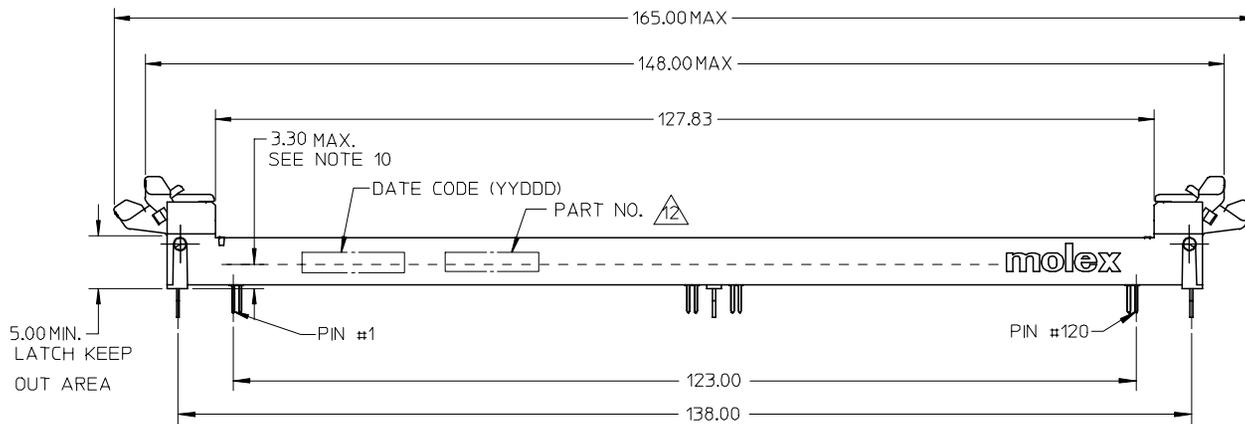
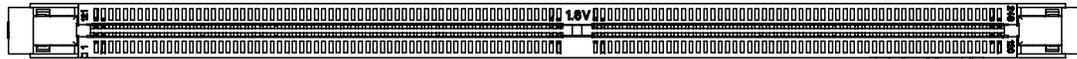
C

B

A

NOTES:

1. MATERIALS  
HOUSING - HIGH TEMP. NYLON GLASS FILLED, UL 94 V-0, BLACK.  
EJECTOR - HIGH TEMP. NYLON GLASS FILLED, UL 94 V-0, BLACK.  
TERMINAL - COPPER ALLOY
2. PLATING - SEE TABLE IN SHEET 5.
3. CARD SLOT ACCEPTS 1.27±0.10 MM MODULE THICKNESS.  
(MEASURED OVER P.C. PADS)
4. RECOMMENDED MODULE LAYOUT SHALL BE AS PER JEDEC MO-237.
5. REFER TO PRODUCT SPEC, PS-87978-013 FOR PERFORMANCE SPECIFICATIONS.
6. PRODUCT SHALL BE PACKED IN TRAY.
7. PRODUCT SHALL HAVE DATE CODE STAMPED ON SIDE OF HOUSING.
8. KEEP OUT AREA IS THE AREA WHERE THE CONNECTOR IS MOUNTED ONTO THE PCB WHICH DOES NOT INCLUDE THE LATCH.
9. REFER TO CRITICAL JEDEC INFORMATION FOR SOCKET OUTLINE PER SO-001.
10. DIMM MODULE SEATING PLANE FROM TOP OF PCB.
11. CONTACT MOLEX FOR AVAILABILITY OF PRODUCT OPTIONS.
12. PART NUMBER SHALL BE MARKED LEGIBLY AS 87978-\*\*\*\*



REVISED EC NO: S2008-0235 DRWN:CMTEO 2007/09/27 CHKD:CCTEH 2007/09/27 APPR:SHLENI 2007/09/28	QUALITY SYMBOLS ▽=0 ▽=0	GENERAL TOLERANCES (UNLESS SPECIFIED)		DIMENSION STYLE MM ONLY		SCALE NTS	DESIGN UNITS METRIC	THIRD ANGLE PROJECTION		
			mm	INCH	DRAWN BY	DATE	TITLE			
		4 PLACES	± ---	± ---	CCTEH	2005/01/03	DDR2 DIMM, 1MM PITCH 240 CKTS, FORK-LOCK VERS VLP LATCH			
		3 PLACES	± ---	± ---	CHECKED BY	DATE				
	2 PLACES	± 0.20	± ---	SRRAMESH	2005/08/30	MOLEX INCORPORATED				
	1 PLACE	± ---	± ---	APPROVED BY	DATE					
	ANGULAR ± 5 °		DRAFT WHERE APPLICABLE MUST REMAIN WITHIN DIMENSIONS		GGLEE 2005/08/30		MOLEX INCORPORATED DOCUMENT NO. SD-87978-001		SHEET NO. 1 OF 5	
	SEE TABLE		THIS DRAWING CONTAINS INFORMATION THAT IS PROPRIETARY TO MOLEX INCORPORATED AND SHOULD NOT BE USED WITHOUT WRITTEN PERMISSION		SIZE A3					

9 8 7 6 5 4 3 2 1

10 9 8 7 6 5 4 3 2 1

F

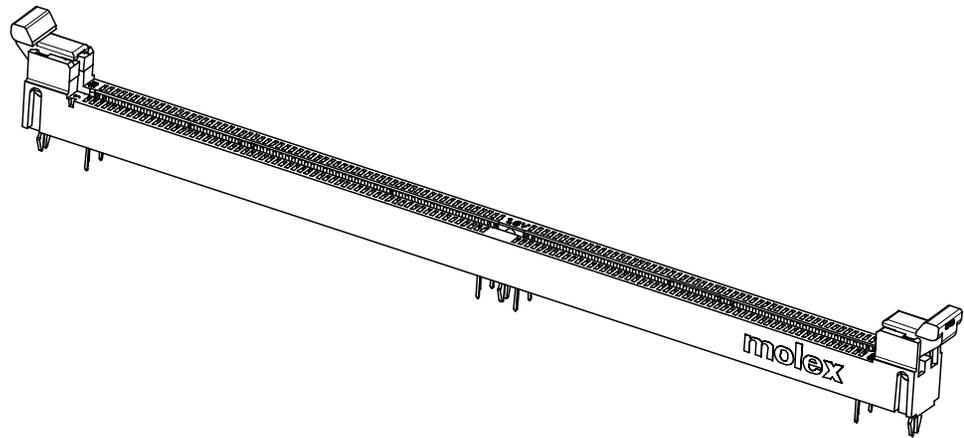
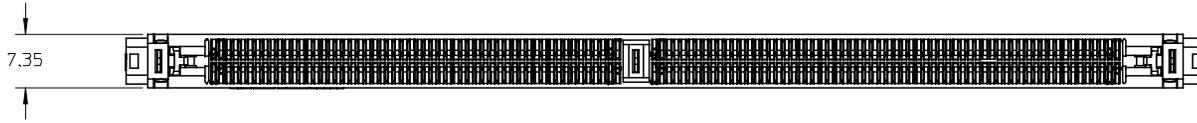
E

D

C

B

A



REVISED EC NO: S2008-0235 DRWN:CMTEO 2007/09/27 CHKD:CCTEH 2007/09/27 APPR:SHLENI 2007/09/28	DESCRIPTION REV	QUALITY SYMBOLS ▽=0 ◻=0	GENERAL TOLERANCES (UNLESS SPECIFIED)		DIMENSION STYLE MM ONLY		SCALE NTS	DESIGN UNITS METRIC	THIRD ANGLE PROJECTION		
		4 PLACES ± --- ± ---	mm INCH	DRAWN BY CCTEH	DATE 2005/01/03	TITLE DDR2 DIMM, 1MM PITCH 240 CKTS, FORK-LOCK VERS VLP LATCH		MOLEX INCORPORATED		SHEET NO. 2 OF 5	
		3 PLACES ± --- ± ---	2 PLACES ± 0.20 ± ---	CHECKED BY SRRAMESH	DATE 2005/08/30						
		1 PLACE ± --- ± ---	ANGULAR ± 5 °	APPROVED BY GGLEE	DATE 2005/08/30	SEE TABLE		DOCUMENT NO. SD-87978-001	THIS DRAWING CONTAINS INFORMATION THAT IS PROPRIETARY TO MOLEX INCORPORATED AND SHOULD NOT BE USED WITHOUT WRITTEN PERMISSION		

9 8 7 6 5 4 3 2 1

10 9 8 7 6 5 4 3 2 1

F

E

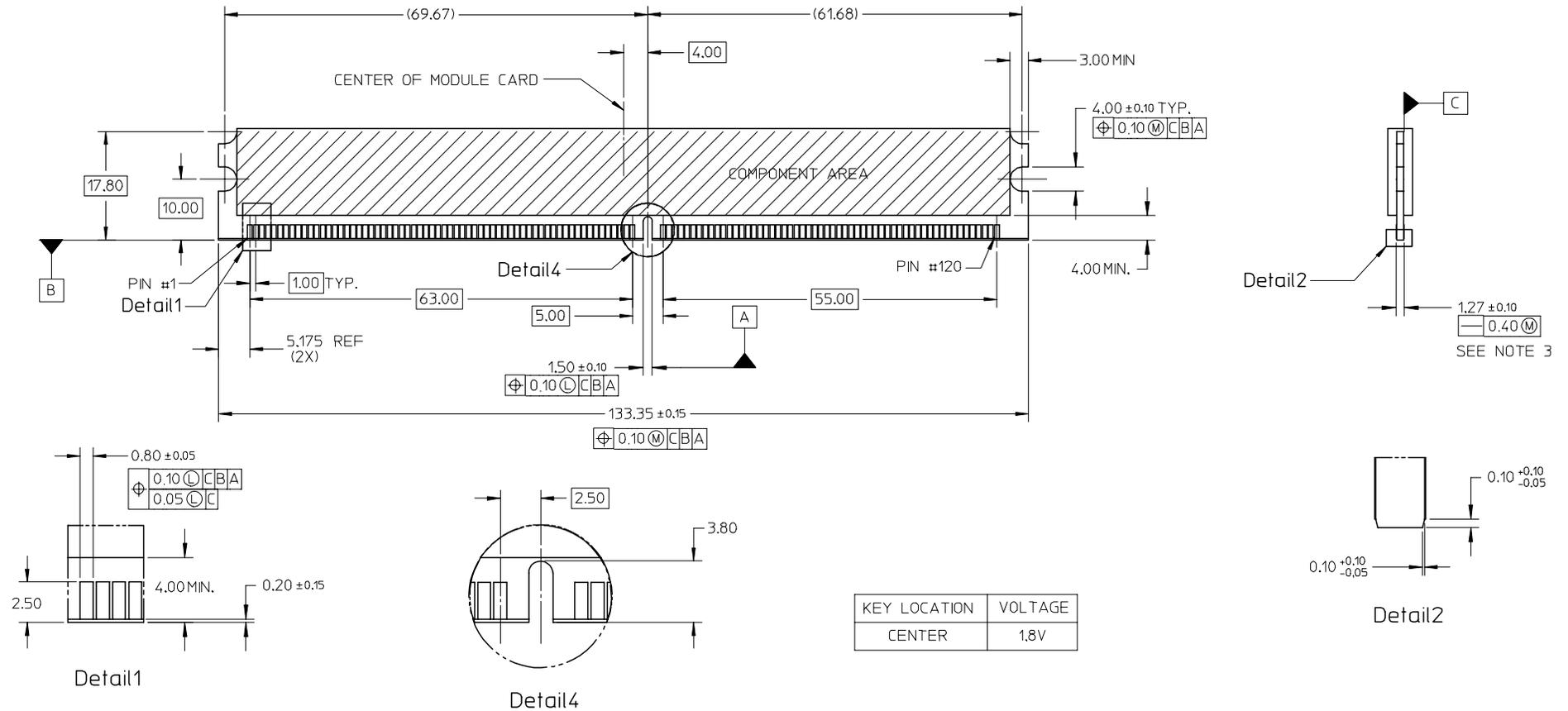
D

C

B

A

RECOMMENDED MODULE LAYOUT



NOTES:  
1. MODULE CARD USED FOR TESTS ARE WITH 0.10MM CHAMFER.

REV	DESCRIPTION
B	REVISED
	EC NO: S2008-0235
	DRWN:CMTEO 2007/09/27
	CHKD:CCTEH 2007/09/27
	APPR:SHLENI 2007/09/28

QUALITY SYMBOLS
▽=0
∇=0

GENERAL TOLERANCES (UNLESS SPECIFIED)	
mm	INCH
4 PLACES ± ---	± ---
3 PLACES ± ---	± ---
2 PLACES ± 0.20	± ---
1 PLACE ± ---	± ---
ANGULAR ± 5 °	

DIMENSION STYLE	
MM ONLY	
DRAWN BY	DATE
CCTEH	2005/01/03
CHECKED BY	DATE
SRRAMESH	2005/08/30
APPROVED BY	DATE
GGLEE	2005/08/30
MATERIAL NO.	
SEE TABLE	

SCALE	DESIGN UNITS	THIRD ANGLE PROJECTION	
NTS	METRIC		
TITLE			
DDR2 DIMM, 1MM PITCH			
240 CKTS, FORK-LOCK VERS			
VLP LATCH			
MOLEX INCORPORATED		SHEET NO.	
DOCUMENT NO. SD-87978-001		3 OF 5	

9 8 7 6 5 4 3 2 1

10 9 8 7 6 5 4 3 2 1

F

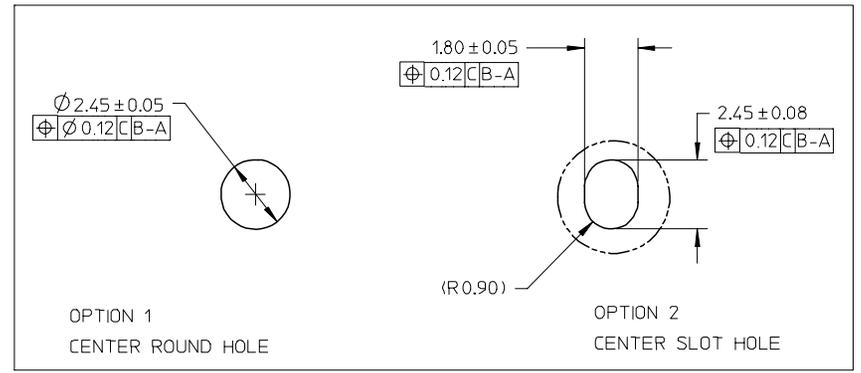
E

D

C

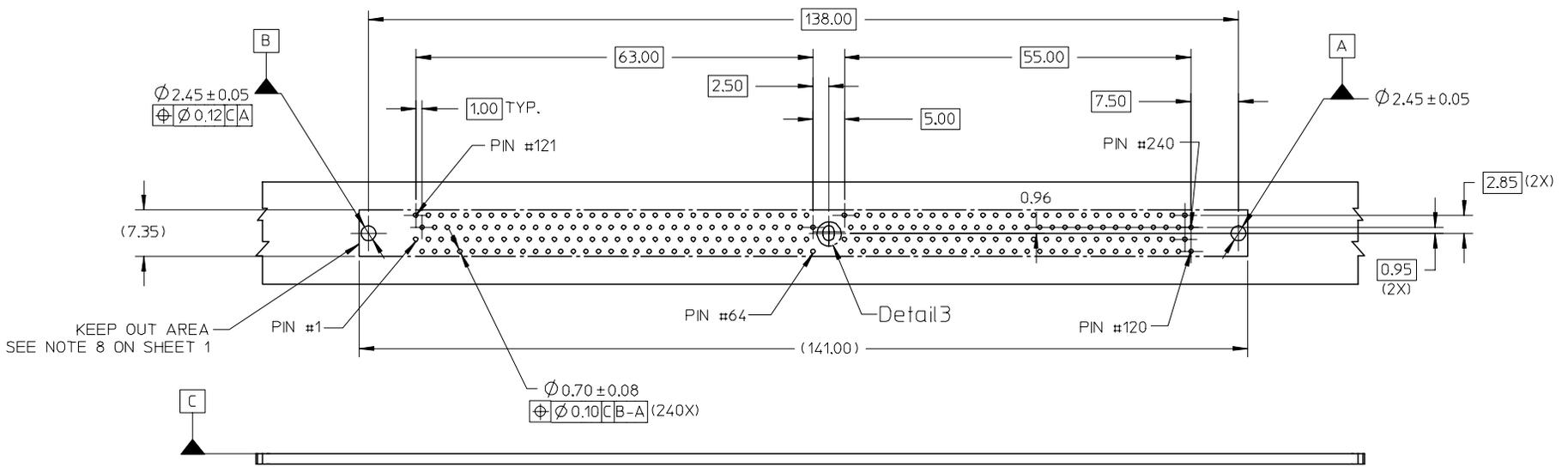
B

A



(SEE RECOMMENDED THICKNESS IN TABLE)  
RECOMMENDED PCB LAYOUT  
CONNECTOR SIDE

Detail3



REVISED EC NO: S2008-0235 DRWN:CMTEO 2007/09/27 CHKD:CCTEH 2007/09/27 APPR:SHLENI 2007/09/28	QUALITY SYMBOLS ▽=0 ▽=0	GENERAL TOLERANCES (UNLESS SPECIFIED)		DIMENSION STYLE MM ONLY		SCALE NTS	DESIGN UNITS METRIC	THIRD ANGLE PROJECTION			
		4 PLACES ± --- ± ---	3 PLACES ± --- ± ---	2 PLACES ± 0.20 ± ---	1 PLACE ± --- ± ---	ANGULAR ± 5 °	DRAWN BY CCTEH	DATE 2005/01/03	TITLE DDR2 DIMM, 1MM PITCH 240 CKTS, FORK-LOCK VERS VLP LATCH		
							APPROVED BY GGLEE	DATE 2005/08/30	MOLEX INCORPORATED		
		DRAFT WHERE APPLICABLE MUST REMAIN WITHIN DIMENSIONS					MATERIAL NO. SEE TABLE		DOCUMENT NO. SD-87978-001	SHEET NO. 4 OF 5	

9 8 7 6 5 4 3 2 1

10 9 8 7 6 5 4 3 2 1

PART NO.	KEY POS.	DIM 'P'	RECOMMENDED PCB THICKNESS	PLATING OPTION	LATCH COLOR
87978-0021	CENTER (1.8V)	2.67	1.57	0.38µM / 15 µIN MIN. GOLD ON CONTACT, 2.54µM/ 100µIN MIN. TIN ON SOLDERTAILS, 1.27µM/ 50µIN MIN. NICKEL UNDERPLATE	BLACK
87978-1021	CENTER (1.8V)	3.18	2.36		
87978-0031	CENTER (1.8V)	2.67	1.57	0.03µM / 1 µIN MIN. GOLD ON CONTACT, 2.54µM/ 100µIN MIN. TIN ON SOLDERTAILS, 1.27µM/ 50µIN MIN. NICKEL UNDERPLATE	
87978-1031	CENTER (1.8V)	3.18	2.36		
87978-0051	CENTER (1.8V)	2.67	1.57	0.76µM / 30 µIN MIN. GOLD ON CONTACT, 2.54µM/ 100µIN MIN. TIN ON SOLDERTAILS, 1.27µM/ 50µIN MIN. NICKEL UNDERPLATE	
87978-1051	CENTER (1.8V)	3.18	2.36		

<b>REVISED</b> EC NO: S2008-0235 DRWN:CMTEO 2007/09/27 CHKD:CCTEH 2007/09/27 APPR:SHLENI 2007/09/28	QUALITY SYMBOLS =0 =0	GENERAL TOLERANCES (UNLESS SPECIFIED)		DIMENSION STYLE MM ONLY		SCALE NTS	DESIGN UNITS METRIC	THIRD ANGLE PROJECTION	
		4 PLACES ± --- ± ---	DRAWN BY CCTEH	DATE 2005/01/03	TITLE DDR2 DIMM, 1MM PITCH 240 CKTS, FORK-LOCK VERS VLP LATCH				
		3 PLACES ± --- ± ---	CHECKED BY SRRAMESH	DATE 2005/08/30					
		2 PLACES ± 0.20 ± ---	APPROVED BY GGLEE	DATE 2005/08/30	MATERIAL NO. SEE TABLE			DOCUMENT NO. SD-87978-001	
1 PLACE ± --- ± ---	DRAFT WHERE APPLICABLE MUST REMAIN WITHIN DIMENSIONS								
ANGULAR ± 5 °		SIZE 		THIS DRAWING CONTAINS INFORMATION THAT IS PROPRIETARY TO MOLEX INCORPORATED AND SHOULD NOT BE USED WITHOUT WRITTEN PERMISSION					

9 8 7 6 5 4 3 2 1

Компания «Океан Электроники» предлагает заключение долгосрочных отношений при поставках импортных электронных компонентов на взаимовыгодных условиях!

Наши преимущества:

- Поставка оригинальных импортных электронных компонентов напрямую с производств Америки, Европы и Азии, а так же с крупнейших складов мира;
- Широкая линейка поставок активных и пассивных импортных электронных компонентов (более 30 млн. наименований);
- Поставка сложных, дефицитных, либо снятых с производства позиций;
- Оперативные сроки поставки под заказ (от 5 рабочих дней);
- Экспресс доставка в любую точку России;
- Помощь Конструкторского Отдела и консультации квалифицированных инженеров;
- Техническая поддержка проекта, помощь в подборе аналогов, поставка прототипов;
- Поставка электронных компонентов под контролем ВП;
- Система менеджмента качества сертифицирована по Международному стандарту ISO 9001;
- При необходимости вся продукция военного и аэрокосмического назначения проходит испытания и сертификацию в лаборатории (по согласованию с заказчиком);
- Поставка специализированных компонентов военного и аэрокосмического уровня качества (Xilinx, Altera, Analog Devices, Intersil, Interpoint, Microsemi, Actel, Aeroflex, Peregrine, VPT, Syfer, Eurofarad, Texas Instruments, MS Kennedy, Miteq, Cobham, E2V, MA-COM, Hittite, Mini-Circuits, General Dynamics и др.);

Компания «Океан Электроники» является официальным дистрибьютором и эксклюзивным представителем в России одного из крупнейших производителей разъемов военного и аэрокосмического назначения «JONHON», а так же официальным дистрибьютором и эксклюзивным представителем в России производителя высокотехнологичных и надежных решений для передачи СВЧ сигналов «FORSTAR».



## JONHON

«JONHON» (основан в 1970 г.)

Разъемы специального, военного и аэрокосмического назначения:

(Применяются в военной, авиационной, аэрокосмической, морской, железнодорожной, горно- и нефтедобывающей отраслях промышленности)

«FORSTAR» (основан в 1998 г.)

ВЧ соединители, коаксиальные кабели, кабельные сборки и микроволновые компоненты:

(Применяются в телекоммуникациях гражданского и специального назначения, в средствах связи, РЛС, а так же военной, авиационной и аэрокосмической отраслях промышленности).



Телефон: 8 (812) 309-75-97 (многоканальный)

Факс: 8 (812) 320-03-32

Электронная почта: [ocean@oceanchips.ru](mailto:ocean@oceanchips.ru)

Web: <http://oceanchips.ru/>

Адрес: 198099, г. Санкт-Петербург, ул. Калинина, д. 2, корп. 4, лит. А