

# AS85049/10 and MS3437A Straight EMI/RFI Environmental Backshell



AS85049

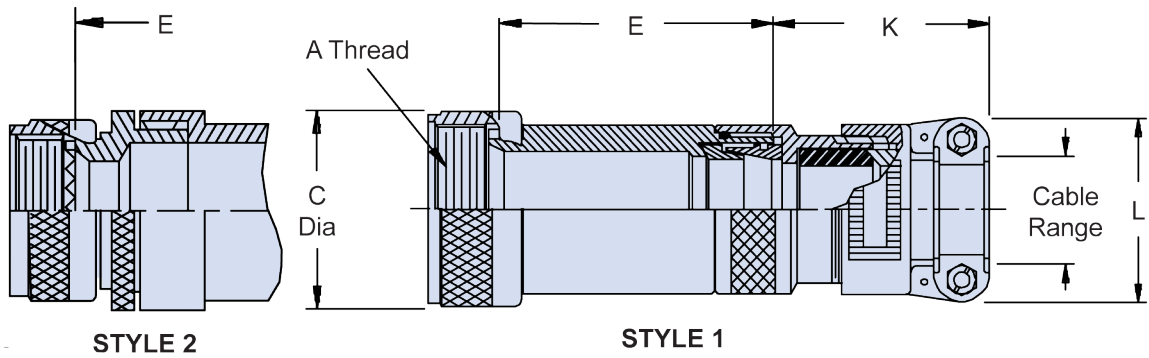
B

| CONNECTOR DESIGNATOR: |                                   |
|-----------------------|-----------------------------------|
| <b>A</b>              | AS50151 Series AS34001            |
|                       | MIL-DTL-26482 Series II           |
|                       | AS81703 Series III                |
|                       | MIL-DTL-83723 Series I & III      |
|                       | 40M39569, DEF 5326-3, EN 2997     |
|                       | EN 3646, ESC 10, ESC 11, LN 29504 |
|                       | NFC93422 Series HE302             |
|                       | PAN 6432-1, PAN 6432-2, PATT 602  |



| Finish / Material  |
|--|
| <b>B</b> = Black Cadmium / Stainless Steel                                 |
| <b>N</b> = Electroless Nickel / Aluminum                                   |
| <b>S</b> = Passivated / Stainless Steel                                    |
| <b>W</b> = 1,000 Hr. Cadmium Olive Drab over Electroless Nickel / Aluminum |
| <b>X</b> = Aluminum, Nickel Fluorocarbon Polymer                           |
| <b>Z</b> = Aluminum, Zinc-Nickel, Black                                    |
| <b>XS</b> = Stainless Steel, Nickel Fluorocarbon Polymer                   |
| <b>ZS</b> = Stainless Steel, Zinc-Nickel, Black                            |

| Superseded Part Number   |          |
|--|----------|
| <b>MS3437A 21 C</b>  |          |
| Basic Part No.   | Dash No. |
| <b>Finish (Material is Aluminum Only)</b><br><b>A</b> = Cadmium Olive Drab over Nickel<br><b>C</b> = Cadmium Olive Drab<br><b>N</b> = Electroless Nickel |          |



| TABLE I: Shell Size and Dimensions |                   |             |
|------------------------------------|-------------------|-------------|
| Shell Size                         | A Thread Class 2B | C Dia Max   |
| 3                                  | .562 - 24 UNEF    | .67 (17.0)  |
| 8                                  | .500 - 20 UNF     | .62 (15.7)  |
| 10                                 | .625 - 24 UNEF    | .73 (18.5)  |
| 12                                 | .750 - 20 UNEF    | .86 (21.8)  |
| 14                                 | .875 - 20 UNEF    | .98 (24.9)  |
| 16                                 | 1.000 - 20 UNEF   | 1.11 (28.2) |
| 18                                 | 1.062 - 18 UNEF   | 1.22 (31.0) |
| 20                                 | 1.188 - 18 UNEF   | 1.34 (34.0) |
| 22                                 | 1.313 - 18 UNEF   | 1.47 (37.3) |
| 24                                 | 1.438 - 18 UNEF   | 1.59 (40.4) |
| 28                                 | 1.750 - 18 UNS    | 1.97 (50.0) |
| 32                                 | 2.000 - 18 UNS    | 2.22 (56.4) |
| 36                                 | 2.250 - 16 UN     | 2.47 (62.7) |
| 40                                 | 2.500 - 16 UN     | 2.72 (69.1) |
| 44                                 | 2.750 - 16 UN     | 2.97 (75.4) |
| 48                                 | 3.000 - 16 UN     | 3.22 (81.8) |
| 61                                 | 1.500 - 18 UNEF   | 1.65 (41.9) |

| APPLICATION NOTES |  |
|-------------------|--|
| 1.                | For complete dimensions see the applicable Military Specification.   |
| 2.                | Metric dimensions (mm) are in parentheses.   |
| 3.                | Cable Range is defined as the accommodation range for the wire bundle or cable. Dimensions shown are not intended for inspection criteria. |

Dimensions in inches (millimeters) and are subject to change without notice.



# AS85049/10 and MS3437A Straight EMI/RFI Environmental Backshell

**TABLE II: Dash No., Style, Shell Size, Dimensions and Cable Range**

| Dash No. | Shell Size | Style | E             |  | K            |  | L            |  | Cable Range |              | M85049/42 Ref. |
|----------|------------|-------|---------------|--|--------------|--|--------------|--|-------------|--------------|----------------|
|          |            |       | Max           |  | Ref          |  | Max          |  | Min         | Max          |                |
| 01       | 3          | 1     | 2.125 (54.0)  |  | 1.544 (39.2) |  | .957 (24.3)  |  | .125 (3.2)  | .250 (6.4)   | 4              |
| 02       | 3          | 1     | 3.125 (79.4)  |  | 1.544 (39.2) |  | .957 (24.3)  |  | .125 (3.2)  | .250 (6.4)   | 4              |
| 03       | 3          | 2     | 2.875 (73.0)  |  | 1.544 (39.2) |  | 1.145 (29.1) |  | .250 (6.4)  | .437 (11.1)  | 6              |
| 04       | 3          | 2     | 3.875 (98.4)  |  | 1.544 (39.2) |  | 1.145 (29.1) |  | .250 (6.4)  | .437 (11.1)  | 6              |
| 05       | 8          | 1     | 2.125 (54.0)  |  | 1.544 (39.2) |  | .957 (24.3)  |  | .125 (3.2)  | .250 (6.4)   | 4              |
| 06       | 8          | 1     | 3.125 (79.4)  |  | 1.544 (39.2) |  | .957 (24.3)  |  | .125 (3.2)  | .250 (6.4)   | 4              |
| 07       | 8          | 2     | 2.875 (73.0)  |  | 1.544 (39.2) |  | 1.145 (29.1) |  | .250 (6.4)  | .437 (11.1)  | 6              |
| 08       | 8          | 2     | 3.875 (98.4)  |  | 1.544 (39.2) |  | 1.145 (29.1) |  | .250 (6.4)  | .437 (11.1)  | 6              |
| 09       | 10         | 1     | 2.125 (54.0)  |  | 1.544 (39.2) |  | .957 (24.3)  |  | .125 (3.2)  | .312 (7.9)   | 4              |
| 10       | 10         | 1     | 3.125 (79.4)  |  | 1.544 (39.2) |  | .957 (24.3)  |  | .125 (3.2)  | .312 (7.9)   | 4              |
| 11       | 10         | 2     | 2.875 (73.0)  |  | 1.544 (39.2) |  | 1.145 (29.1) |  | .250 (6.4)  | .437 (11.1)  | 6              |
| 12       | 10         | 2     | 3.875 (98.4)  |  | 1.544 (39.2) |  | 1.145 (29.1) |  | .250 (6.4)  | .437 (11.1)  | 6              |
| 13       | 12         | 1     | 2.125 (54.0)  |  | 1.544 (39.2) |  | 1.145 (29.1) |  | .250 (6.4)  | .437 (11.1)  | 6              |
| 14       | 12         | 1     | 3.125 (79.4)  |  | 1.544 (39.2) |  | 1.145 (29.1) |  | .250 (6.4)  | .437 (11.1)  | 6              |
| 15       | 12         | 2     | 2.875 (73.0)  |  | 1.844 (46.8) |  | 1.332 (33.8) |  | .350 (8.9)  | .625 (15.9)  | 10             |
| 16       | 12         | 2     | 3.875 (98.4)  |  | 1.844 (46.8) |  | 1.332 (33.8) |  | .350 (8.9)  | .625 (15.9)  | 10             |
| 17       | 14         | 1     | 2.125 (54.0)  |  | 1.844 (46.8) |  | 1.332 (33.8) |  | .350 (8.9)  | .575 (14.6)  | 10             |
| 18       | 14         | 1     | 3.125 (79.4)  |  | 1.844 (46.8) |  | 1.332 (33.8) |  | .350 (8.9)  | .575 (14.6)  | 10             |
| 19       | 14         | 2     | 2.875 (73.0)  |  | 1.916 (48.7) |  | 1.551 (39.4) |  | .500 (12.7) | .750 (19.1)  | 12             |
| 20       | 14         | 2     | 3.875 (98.4)  |  | 1.916 (48.7) |  | 1.551 (39.4) |  | .500 (12.7) | .750 (19.1)  | 12             |
| 21       | 16         | 1     | 2.125 (54.0)  |  | 1.916 (48.7) |  | 1.551 (39.4) |  | .500 (12.7) | .700 (17.8)  | 12             |
| 22       | 16         | 1     | 3.125 (79.4)  |  | 1.916 (48.7) |  | 1.551 (39.4) |  | .500 (12.7) | .700 (17.8)  | 12             |
| 23       | 16         | 2     | 2.875 (73.0)  |  | 2.000 (50.8) |  | 1.770 (45.0) |  | .625 (15.9) | .937 (23.8)  | 16             |
| 24       | 16         | 2     | 3.875 (98.4)  |  | 2.000 (50.8) |  | 1.770 (45.0) |  | .625 (15.9) | .937 (23.8)  | 16             |
| 25       | 18         | 1     | 2.125 (54.0)  |  | 1.844 (46.8) |  | 1.332 (33.8) |  | .350 (8.9)  | .625 (15.9)  | 10             |
| 26       | 18         | 1     | 3.125 (79.4)  |  | 1.844 (46.8) |  | 1.332 (33.8) |  | .350 (8.9)  | .625 (15.9)  | 10             |
| 27       | 18         | 1     | 2.125 (54.0)  |  | 1.916 (48.7) |  | 1.551 (39.4) |  | .500 (12.7) | .750 (19.1)  | 12             |
| 28       | 18         | 1     | 3.125 (79.4)  |  | 1.916 (48.7) |  | 1.551 (39.4) |  | .500 (12.7) | .750 (19.1)  | 12             |
| 29       | 18         | 2     | 2.875 (73.0)  |  | 2.000 (50.8) |  | 1.770 (45.0) |  | .625 (15.9) | .937 (23.8)  | 16             |
| 30       | 18         | 2     | 3.875 (98.4)  |  | 2.000 (50.8) |  | 1.770 (45.0) |  | .625 (15.9) | .937 (23.8)  | 16             |
| 31       | 20         | 1     | 3.125 (79.4)  |  | 1.844 (46.8) |  | 1.332 (33.8) |  | .350 (8.9)  | .625 (15.9)  | 10             |
| 32       | 20         | 1     | 4.125 (104.8) |  | 1.844 (46.8) |  | 1.332 (33.8) |  | .350 (8.9)  | .625 (15.9)  | 10             |
| 33       | 20         | 1     | 3.125 (79.4)  |  | 1.916 (48.7) |  | 1.551 (39.4) |  | .500 (12.7) | .750 (19.1)  | 12             |
| 34       | 20         | 1     | 4.125 (104.8) |  | 1.916 (48.7) |  | 1.551 (39.4) |  | .500 (12.7) | .750 (19.1)  | 12             |
| 35       | 20         | 2     | 3.875 (98.4)  |  | 2.000 (50.8) |  | 1.770 (45.0) |  | .625 (15.9) | .937 (23.8)  | 16             |
| 36       | 20         | 2     | 4.875 (123.8) |  | 2.000 (50.8) |  | 1.770 (45.0) |  | .625 (15.9) | .937 (23.8)  | 16             |
| 37       | 20         | 2     | 3.875 (98.4)  |  | 2.230 (56.6) |  | 2.113 (53.7) |  | .875 (22.2) | 1.250 (31.8) | 20             |
| 38       | 20         | 2     | 4.875 (123.8) |  | 2.230 (56.6) |  | 2.113 (53.7) |  | .875 (22.2) | 1.250 (31.8) | 20             |
| 39       | 22         | 1     | 3.125 (79.4)  |  | 1.844 (46.8) |  | 1.332 (33.8) |  | .350 (8.9)  | .625 (15.9)  | 10             |
| 40       | 22         | 1     | 4.125 (104.8) |  | 1.844 (46.8) |  | 1.332 (33.8) |  | .350 (8.9)  | .625 (15.9)  | 10             |
| 41       | 22         | 1     | 3.125 (79.4)  |  | 1.916 (48.7) |  | 1.551 (39.4) |  | .500 (12.7) | .750 (19.1)  | 12             |
| 42       | 22         | 1     | 4.125 (104.8) |  | 1.916 (48.7) |  | 1.551 (39.4) |  | .500 (12.7) | .750 (19.1)  | 12             |
| 43       | 22         | 1     | 3.125 (79.4)  |  | 2.000 (50.8) |  | 1.770 (45.0) |  | .625 (15.9) | .937 (23.8)  | 16             |
| 44       | 22         | 1     | 4.125 (104.8) |  | 2.000 (50.8) |  | 1.770 (45.0) |  | .625 (15.9) | .937 (23.8)  | 16             |
| 45       | 22         | 2     | 3.875 (98.4)  |  | 2.230 (56.6) |  | 2.113 (53.7) |  | .875 (22.2) | 1.250 (31.8) | 20             |
| 46       | 22         | 2     | 4.875 (123.8) |  | 2.230 (56.6) |  | 2.113 (53.7) |  | .875 (22.2) | 1.250 (31.8) | 20             |
| 47       | 24         | 1     | 3.125 (79.4)  |  | 1.916 (48.7) |  | 1.551 (39.4) |  | .500 (12.7) | .750 (19.1)  | 12             |
| 48       | 24         | 1     | 4.125 (104.8) |  | 1.916 (48.7) |  | 1.551 (39.4) |  | .500 (12.7) | .750 (19.1)  | 12             |
| 49       | 24         | 1     | 3.125 (79.4)  |  | 2.000 (50.8) |  | 1.770 (45.0) |  | .625 (15.9) | .812 (20.6)  | 16             |
| 50       | 24         | 1     | 4.125 (104.8) |  | 2.000 (50.8) |  | 1.770 (45.0) |  | .625 (15.9) | .812 (20.6)  | 16             |
| 51       | 24         | 1     | 3.125 (79.4)  |  | 2.000 (50.8) |  | 1.770 (45.0) |  | .625 (15.9) | .937 (23.8)  | 16             |
| 52       | 24         | 1     | 4.125 (104.8) |  | 2.000 (50.8) |  | 1.770 (45.0) |  | .625 (15.9) | .937 (23.8)  | 16             |

Continued on Page B-29

Dimensions in inches (millimeters) and are subject to change without notice.

# AS85049/10 and MS3437A Straight EMI/RFI Environmental Backshell



AS85049

**B**

TABLE II: (Continued from Page B-28)

| Dash No. | Shell Size | Style | E Max         | K Ref        | L Max        | Cable Range  |              | M85049/42 Ref. |
|----------|------------|-------|---------------|--------------|--------------|--------------|--------------|----------------|
|          |            |       |               |              |              | Min          | Max          |                |
| 53       | 24         | 2     | 3.875 (98.4)  | 2.230 (56.6) | 2.113 (53.7) | .875 (22.2)  | 1.250 (31.8) | 20             |
| 54       | 24         | 2     | 4.875 (123.8) | 2.230 (56.6) | 2.113 (53.7) | .875 (22.2)  | 1.250 (31.8) | 20             |
| 55       | 28         | 1     | 3.125 (79.4)  | 1.916 (48.7) | 1.551 (39.4) | .500 (12.7)  | .750 (19.1)  | 12             |
| 56       | 28         | 1     | 4.125 (104.8) | 1.916 (48.7) | 1.551 (39.4) | .500 (12.7)  | .750 (19.1)  | 12             |
| 57       | 28         | 1     | 3.125 (79.4)  | 2.000 (50.8) | 1.770 (45.0) | .625 (15.9)  | .937 (23.8)  | 16             |
| 58       | 28         | 1     | 4.125 (104.8) | 2.000 (50.8) | 1.770 (45.0) | .625 (15.9)  | .937 (23.8)  | 16             |
| 59       | 28         | 1     | 3.125 (79.4)  | 2.230 (56.6) | 2.113 (53.7) | .875 (22.2)  | 1.250 (31.8) | 20             |
| 60       | 28         | 1     | 4.125 (104.8) | 2.230 (56.6) | 2.113 (53.7) | .875 (22.2)  | 1.250 (31.8) | 20             |
| 61       | 28         | 1     | 3.125 (79.4)  | 2.024 (51.4) | 2.363 (60.0) | 1.000 (25.4) | 1.375 (34.9) | 24             |
| 62       | 28         | 1     | 4.126 (104.8) | 2.024 (51.4) | 2.363 (60.0) | 1.000 (25.4) | 1.375 (34.9) | 24             |
| 63       | 32         | 1     | 3.125 (79.4)  | 2.000 (50.8) | 1.770 (45.0) | .625 (15.9)  | .937 (23.8)  | 16             |
| 64       | 32         | 1     | 4.125 (104.8) | 2.000 (50.8) | 1.770 (45.0) | .625 (15.9)  | .937 (23.8)  | 16             |
| 65       | 32         | 1     | 3.125 (79.4)  | 2.230 (56.6) | 2.113 (53.7) | .875 (22.2)  | 1.250 (31.8) | 20             |
| 66       | 32         | 1     | 4.125 (104.8) | 2.230 (56.6) | 2.113 (53.7) | .875 (22.2)  | 1.250 (31.8) | 20             |
| 67       | 32         | 1     | 3.125 (79.4)  | 2.024 (51.4) | 2.363 (60.0) | 1.000 (25.4) | 1.375 (34.9) | 24             |
| 68       | 32         | 1     | 4.125 (104.8) | 2.024 (51.4) | 2.363 (60.0) | 1.000 (25.4) | 1.375 (34.9) | 24             |
| 69       | 32         | 1     | 3.125 (79.4)  | 2.550 (64.8) | 2.770 (70.4) | 1.250 (31.8) | 1.625 (41.3) | 28             |
| 70       | 32         | 1     | 4.125 (104.8) | 2.550 (64.8) | 2.770 (70.4) | 1.250 (31.8) | 1.625 (41.3) | 28             |
| 71       | 36         | 1     | 4.125 (104.8) | 2.230 (56.6) | 2.113 (53.7) | .875 (22.2)  | 1.250 (31.8) | 20             |
| 72       | 36         | 1     | 5.125 (130.2) | 2.230 (56.6) | 2.113 (53.7) | .875 (22.2)  | 1.250 (31.8) | 20             |
| 73       | 36         | 1     | 4.125 (104.8) | 2.024 (51.4) | 2.363 (60.0) | 1.000 (25.4) | 1.375 (34.9) | 24             |
| 74       | 36         | 1     | 5.125 (130.2) | 2.024 (51.4) | 2.363 (60.0) | 1.000 (25.4) | 1.375 (34.9) | 24             |
| 75       | 36         | 1     | 4.125 (104.8) | 2.550 (64.8) | 2.770 (70.4) | 1.250 (31.8) | 1.625 (41.3) | 28             |
| 76       | 36         | 1     | 5.125 (130.2) | 2.550 (64.8) | 2.770 (70.4) | 1.250 (31.8) | 1.625 (41.3) | 28             |
| 77       | 36         | 2     | 5.000 (127.0) | 2.600 (66.0) | 3.020 (76.7) | 1.437 (36.5) | 1.875 (47.6) | 32             |
| 78       | 36         | 2     | 6.000 (152.4) | 2.600 (66.0) | 3.020 (76.7) | 1.437 (36.5) | 1.875 (47.6) | 32             |
| 79       | 40         | 1     | 4.125 (104.8) | 2.230 (56.6) | 2.113 (53.7) | .875 (22.2)  | 1.250 (31.8) | 20             |
| 80       | 40         | 1     | 5.125 (130.2) | 2.230 (56.6) | 2.113 (53.7) | .875 (22.2)  | 1.250 (31.8) | 20             |
| 81       | 40         | 1     | 4.125 (104.8) | 2.024 (51.4) | 2.363 (60.0) | 1.000 (25.4) | 1.375 (34.9) | 24             |
| 82       | 40         | 1     | 5.125 (130.2) | 2.024 (51.4) | 2.363 (60.0) | 1.000 (25.4) | 1.375 (34.9) | 24             |
| 83       | 40         | 1     | 4.125 (104.8) | 2.550 (64.8) | 2.770 (70.4) | 1.250 (31.8) | 1.625 (41.3) | 28             |
| 84       | 40         | 1     | 5.125 (130.2) | 2.550 (64.8) | 2.770 (70.4) | 1.250 (31.8) | 1.625 (41.3) | 28             |
| 85       | 40         | 1     | 4.125 (104.8) | 2.600 (66.0) | 3.020 (76.7) | 1.437 (36.5) | 1.875 (47.6) | 32             |
| 86       | 40         | 1     | 5.125 (130.2) | 2.600 (66.0) | 3.020 (76.7) | 1.437 (36.5) | 1.875 (47.6) | 32             |
| 87       | 44         | 1     | 4.125 (104.8) | 2.230 (56.6) | 2.113 (53.7) | .875 (22.2)  | 1.250 (31.8) | 20             |
| 88       | 44         | 1     | 5.125 (130.2) | 2.230 (56.6) | 2.113 (53.7) | .875 (22.2)  | 1.250 (31.8) | 20             |
| 89       | 44         | 1     | 4.125 (104.8) | 2.024 (51.4) | 2.363 (60.0) | 1.000 (25.4) | 1.375 (34.9) | 24             |
| 90       | 44         | 1     | 5.125 (130.2) | 2.024 (51.4) | 2.363 (60.0) | 1.000 (25.4) | 1.375 (34.9) | 24             |
| 91       | 44         | 1     | 4.125 (104.8) | 2.550 (64.8) | 2.770 (70.4) | 1.250 (31.8) | 1.625 (41.3) | 28             |
| 92       | 44         | 1     | 5.125 (130.2) | 2.550 (64.8) | 2.770 (70.4) | 1.250 (31.8) | 1.625 (41.3) | 28             |
| 93       | 44         | 1     | 4.125 (104.8) | 2.600 (66.0) | 3.020 (76.7) | 1.437 (36.5) | 1.875 (47.6) | 32             |
| 94       | 44         | 1     | 5.125 (130.2) | 2.600 (66.0) | 3.020 (76.7) | 1.437 (36.5) | 1.875 (47.6) | 32             |
| 95       | 48         | 1     | 4.125 (104.8) | 2.230 (56.6) | 2.113 (53.7) | .875 (22.2)  | 1.250 (31.8) | 20             |
| 96       | 48         | 1     | 5.125 (130.2) | 2.230 (56.6) | 2.113 (53.7) | .875 (22.2)  | 1.250 (31.8) | 20             |
| 97       | 48         | 1     | 4.125 (104.8) | 2.024 (51.4) | 2.363 (60.0) | 1.000 (25.4) | 1.375 (34.9) | 24             |
| 98       | 48         | 1     | 5.125 (130.2) | 2.024 (51.4) | 2.363 (60.0) | 1.000 (25.4) | 1.375 (34.9) | 24             |
| 99       | 48         | 1     | 4.125 (104.8) | 2.550 (64.8) | 2.770 (70.4) | 1.250 (31.8) | 1.625 (41.3) | 28             |
| 100      | 48         | 1     | 5.125 (130.2) | 2.550 (64.8) | 2.770 (70.4) | 1.250 (31.8) | 1.625 (41.3) | 28             |
| 101      | 48         | 1     | 4.125 (104.8) | 2.600 (66.0) | 3.020 (76.7) | 1.437 (36.5) | 1.875 (47.6) | 32             |
| 102      | 48         | 1     | 5.125 (130.2) | 2.600 (66.0) | 3.020 (76.7) | 1.437 (36.5) | 1.875 (47.6) | 32             |
| 103      | 61         | 1     | 3.125 (79.4)  | 1.916 (48.7) | 1.551 (39.4) | .500 (12.7)  | .750 (19.1)  | 12             |
| 104      | 61         | 1     | 4.125 (104.8) | 1.916 (48.7) | 1.551 (39.4) | .500 (12.7)  | .750 (19.1)  | 12             |

Continued on Page B-30

Dimensions in inches (millimeters) and are subject to change without notice.



## AS85049/10 and MS3437A Straight EMI/RFI Environmental Backshell

TABLE II: (Continued from Page B-29)

| Dash No. | Shell Size | Style | E Max         | K Ref        | L Max        | Cable Range  |              | M85049/42 Ref. |
|----------|------------|-------|---------------|--------------|--------------|--------------|--------------|----------------|
|          |            |       |               |              |              | Min          | Max          |                |
| 105      | 61         | 1     | 3.125 (79.4)  | 2.000 (50.8) | 1.770 (45.0) | .625 (15.9)  | .937 (23.8)  | 16             |
| 106      | 61         | 1     | 4.125 (104.8) | 2.000 (50.8) | 1.770 (45.0) | .625 (15.9)  | .937 (23.8)  | 16             |
| 107      | 61         | 2     | 3.875 (98.4)  | 2.230 (56.6) | 2.113 (53.7) | .875 (22.2)  | 1.250 (31.8) | 20             |
| 108      | 61         | 2     | 4.875 (123.8) | 2.230 (56.6) | 2.113 (53.7) | .875 (22.2)  | 1.250 (31.8) | 20             |
| 109      | 61         | 2     | 3.875 (98.4)  | 2.024 (51.4) | 2.363 (60.0) | 1.000 (25.4) | 1.375 (34.9) | 24             |
| 110      | 61         | 2     | 4.875 (123.8) | 2.024 (51.4) | 2.363 (60.0) | 1.000 (25.4) | 1.375 (34.9) | 24             |
| 111      | 12         | 1     | 2.125 (54.0)  | 1.844 (46.8) | 1.332 (33.8) | .350 (8.9)   | .500 (12.7)  | 10             |
| 112      | 16         | 1     | 2.125 (54.0)  | 1.544 (39.2) | 1.145 (29.1) | .250 (6.4)   | .437 (11.1)  | 6              |
| 113      | 16         | 1     | 3.125 (79.4)  | 1.544 (39.2) | 1.145 (29.1) | .250 (6.4)   | .437 (11.1)  | 6              |
| 114      | 12         | 1     | 2.125 (54.0)  | 1.544 (39.2) | .957 (24.3)  | .125 (3.2)   | .312 (7.9)   | 4              |
| 115      | 12         | 1     | 3.125 (79.4)  | 1.544 (39.2) | .957 (24.3)  | .125 (3.2)   | .312 (7.9)   | 4              |
| 116      | 14         | 1     | 2.125 (54.0)  | 1.544 (39.2) | 1.145 (29.1) | .250 (6.4)   | .437 (11.1)  | 6              |
| 117      | 14         | 1     | 3.125 (79.4)  | 1.544 (39.2) | 1.145 (29.1) | .250 (6.4)   | .437 (11.1)  | 6              |
| 118      | 16         | 1     | 2.125 (54.0)  | 1.844 (46.8) | 1.332 (33.8) | .350 (8.9)   | .625 (15.9)  | 10             |
| 119      | 16         | 1     | 3.125 (79.4)  | 1.844 (46.8) | 1.332 (33.8) | .350 (8.9)   | .625 (15.9)  | 10             |
| 120      | 18         | 1     | 2.125 (54.0)  | 1.544 (39.2) | .957 (24.3)  | .125 (3.2)   | .312 (7.9)   | 4              |
| 121      | 18         | 1     | 3.125 (79.4)  | 1.544 (39.2) | .957 (24.3)  | .125 (3.2)   | .312 (7.9)   | 4              |
| 122      | 18         | 1     | 2.125 (54.0)  | 1.544 (39.2) | 1.145 (29.1) | .250 (6.4)   | .437 (11.1)  | 6              |
| 123      | 18         | 1     | 3.125 (79.4)  | 1.544 (39.2) | 1.145 (29.1) | .250 (6.4)   | .437 (11.1)  | 6              |
| 124      | 20         | 1     | 3.125 (79.4)  | 1.544 (39.2) | 1.145 (29.1) | .250 (6.4)   | .437 (11.1)  | 6              |
| 125      | 20         | 1     | 4.125 (104.8) | 1.544 (39.2) | 1.145 (29.1) | .250 (6.4)   | .437 (11.1)  | 6              |
| 126      | 22         | 1     | 3.125 (79.4)  | 1.544 (39.2) | .957 (24.3)  | .125 (3.2)   | .312 (7.9)   | 4              |
| 127      | 22         | 1     | 4.125 (104.8) | 1.544 (39.2) | .957 (24.3)  | .125 (3.2)   | .312 (7.9)   | 4              |
| 128      | 22         | 1     | 3.125 (79.4)  | 1.544 (39.2) | 1.145 (29.1) | .250 (6.4)   | .437 (11.1)  | 6              |
| 129      | 22         | 1     | 4.125 (104.8) | 1.544 (39.2) | 1.145 (29.1) | .250 (6.4)   | .437 (11.1)  | 6              |
| 130      | 24         | 1     | 3.125 (79.4)  | 1.844 (46.8) | 1.332 (33.8) | .350 (8.9)   | .625 (15.9)  | 10             |
| 131      | 24         | 1     | 4.125 (104.8) | 1.844 (46.8) | 1.332 (33.8) | .350 (8.9)   | .625 (15.9)  | 10             |
| 132      | 36         | 1     | 4.125 (104.8) | 1.916 (48.7) | 1.551 (39.4) | .500 (12.7)  | .750 (19.1)  | 12             |
| 133      | 36         | 1     | 5.125 (130.2) | 1.916 (48.7) | 1.551 (39.4) | .500 (12.7)  | .750 (19.1)  | 12             |
| 134      | 40         | 1     | 4.125 (104.8) | 1.916 (48.7) | 1.551 (39.4) | .500 (12.7)  | .750 (19.1)  | 12             |
| 135      | 40         | 1     | 5.125 (130.2) | 1.916 (48.7) | 1.551 (39.4) | .500 (12.7)  | .750 (19.1)  | 12             |
| 136      | 10         | 1     | 2.125 (54.0)  | 1.544 (39.2) | 1.145 (29.1) | .250 (6.4)   | .375 (9.5)   | 6              |
| 137      | 10         | 1     | 3.125 (79.4)  | 1.544 (39.2) | 1.145 (29.1) | .250 (6.4)   | .375 (9.5)   | 6              |
| 138      | 12         | 1     | 2.125 (54.0)  | 1.844 (46.8) | 1.332 (33.8) | .350 (8.9)   | .500 (12.7)  | 10             |
| 139      | 12         | 1     | 3.125 (79.4)  | 1.844 (46.8) | 1.332 (33.8) | .350 (8.9)   | .500 (12.7)  | 10             |
| 140      | 20         | 1     | 3.125 (79.4)  | 2.000 (50.8) | 1.770 (45.0) | .625 (15.9)  | .904 (23.0)  | 16             |
| 141      | 20         | 1     | 4.125 (104.8) | 2.000 (50.8) | 1.770 (45.0) | .625 (15.9)  | .904 (23.0)  | 16             |
| 142      | 22         | 1     | 3.125 (79.4)  | 2.230 (56.6) | 2.113 (53.7) | .875 (22.2)  | 1.029 (26.1) | 20             |
| 143      | 22         | 1     | 4.125 (104.8) | 2.230 (56.6) | 2.113 (53.7) | .875 (22.2)  | 1.029 (26.1) | 20             |
| 144      | 24         | 1     | 3.125 (79.4)  | 2.230 (56.6) | 2.113 (53.7) | .875 (22.2)  | 1.144 (29.1) | 20             |
| 145      | 24         | 1     | 4.125 (104.8) | 2.230 (56.6) | 2.113 (53.7) | .875 (22.2)  | 1.144 (29.1) | 20             |
| 146      | 36         | 1     | 4.125 (104.8) | 2.600 (66.0) | 3.020 (76.7) | 1.437 (36.5) | 1.840 (46.7) | 32             |
| 147      | 36         | 1     | 5.125 (130.2) | 2.600 (66.0) | 3.020 (76.7) | 1.437 (36.5) | 1.840 (46.7) | 32             |
| 148      | 36         | 1     | 4.125 (104.8) | 2.000 (50.8) | 1.770 (45.0) | .625 (15.9)  | .937 (23.8)  | 16             |
| 149      | 36         | 1     | 5.125 (130.2) | 2.000 (50.8) | 1.770 (45.0) | .625 (15.9)  | .937 (23.8)  | 16             |
| 150      | 14         | 1     | 2.125 (54.0)  | 1.544 (39.2) | .957 (24.3)  | .125 (3.2)   | .312 (7.9)   | 4              |
| 151      | 14         | 1     | 3.125 (79.4)  | 1.544 (39.2) | .957 (24.3)  | .125 (3.2)   | .312 (7.9)   | 4              |
| 152      | 16         | 1     | 2.125 (54.0)  | 1.544 (39.2) | .957 (24.3)  | .125 (3.2)   | .312 (7.9)   | 4              |
| 153      | 16         | 1     | 3.125 (79.4)  | 1.544 (39.2) | .957 (24.3)  | .125 (3.2)   | .312 (7.9)   | 4              |
| 154      | 44         | 1     | 4.125 (104.8) | 2.000 (50.8) | 1.770 (45.0) | .625 (15.9)  | .937 (23.8)  | 16             |
| 155      | 44         | 1     | 5.125 (130.2) | 2.000 (50.8) | 1.770 (45.0) | .625 (15.9)  | .937 (23.8)  | 16             |
| 156      | 40         | 1     | 4.125 (104.8) | 2.000 (50.8) | 1.770 (45.0) | .625 (15.9)  | .937 (23.8)  | 16             |
| 157      | 40         | 1     | 5.125 (130.2) | 2.000 (50.8) | 1.770 (45.0) | .625 (15.9)  | .937 (23.8)  | 16             |

Dimensions in inches (millimeters) and are subject to change without notice.

Компания «Океан Электроники» предлагает заключение долгосрочных отношений при поставках импортных электронных компонентов на взаимовыгодных условиях!

Наши преимущества:

- Поставка оригинальных импортных электронных компонентов напрямую с производств Америки, Европы и Азии, а так же с крупнейших складов мира;
- Широкая линейка поставок активных и пассивных импортных электронных компонентов (более 30 млн. наименований);
- Поставка сложных, дефицитных, либо снятых с производства позиций;
- Оперативные сроки поставки под заказ (от 5 рабочих дней);
- Экспресс доставка в любую точку России;
- Помощь Конструкторского Отдела и консультации квалифицированных инженеров;
- Техническая поддержка проекта, помощь в подборе аналогов, поставка прототипов;
- Поставка электронных компонентов под контролем ВП;
- Система менеджмента качества сертифицирована по Международному стандарту ISO 9001;
- При необходимости вся продукция военного и аэрокосмического назначения проходит испытания и сертификацию в лаборатории (по согласованию с заказчиком);
- Поставка специализированных компонентов военного и аэрокосмического уровня качества (Xilinx, Altera, Analog Devices, Intersil, Interpoint, Microsemi, Actel, Aeroflex, Peregrine, VPT, Syfer, Eurofarad, Texas Instruments, MS Kennedy, Miteq, Cobham, E2V, MA-COM, Hittite, Mini-Circuits, General Dynamics и др.);

Компания «Океан Электроники» является официальным дистрибьютором и эксклюзивным представителем в России одного из крупнейших производителей разъемов военного и аэрокосмического назначения «**JONHON**», а так же официальным дистрибьютором и эксклюзивным представителем в России производителя высокотехнологичных и надежных решений для передачи СВЧ сигналов «**FORSTAR**».



## JONHON

«**JONHON**» (основан в 1970 г.)

Разъемы специального, военного и аэрокосмического назначения:

(Применяются в военной, авиационной, аэрокосмической, морской, железнодорожной, горно- и нефтедобывающей отраслях промышленности)

«**FORSTAR**» (основан в 1998 г.)

ВЧ соединители, коаксиальные кабели,  
кабельные сборки и микроволновые компоненты:

(Применяются в телекоммуникациях гражданского и специального назначения, в средствах связи, РЛС, а так же военной, авиационной и аэрокосмической отраслях промышленности).



Телефон: 8 (812) 309-75-97 (многоканальный)

Факс: 8 (812) 320-03-32

Электронная почта: [ocean@oceanchips.ru](mailto:ocean@oceanchips.ru)

Web: <http://oceanchips.ru/>

Адрес: 198099, г. Санкт-Петербург, ул. Калинина, д. 2, корп. 4, лит. А