


Helping Customers Innovate, Improve & Grow



Description

Vectron's VC-801 Crystal Oscillator (XO) is a quartz stabilized square wave generator with a CMOS output. The VC-801 uses fundamental or 3rd overtone crystals resulting in very low jitter performance, and a monolithic IC which improves reliability and reduces cost.

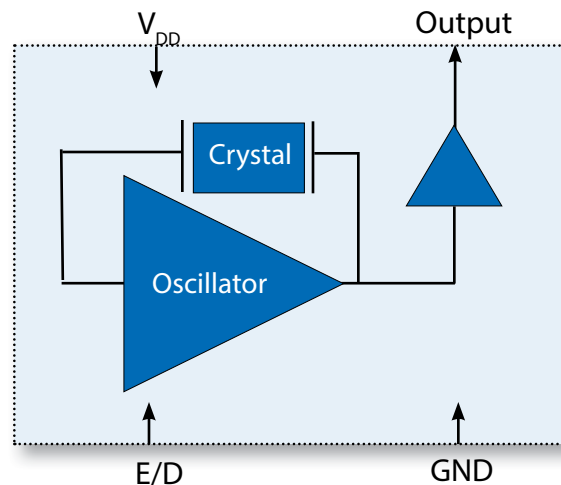
Features

- CMOS output XO
- Output Frequencies from 32.768kHz to 125.000MHz
- 5.0, 3.3, 2.5 or 1.8 V Operation
- Low Jitter Performance
- Output Disable Feature
- ± 20 ppm Frequency Stability Available
- Operating Temperature ranging from -55°C to $+125^{\circ}\text{C}$
- Small Industry Standard Package, 3.2 x 5.0 x 1.3mm
- Product is compliant to RoHS directive  and fully compatible with lead free assembly

Applications

- SONET/SDH/DWDM
- Ethernet, GE, SynchE
- Storage Area Networking
- Fiber Channel
- Digital Video
- Broadband Access
- Base Stations, Picocells

Block Diagram



Specifications

Table 1. Electrical Performance, 5V Option

| Parameter | Symbol | Min | Typical | Max | Units |
|--|--|--|-----------|----------------|--------------------|
| Supply Voltage | | | | | |
| Voltage ¹ | V_{DD} | 4.5 | 5.0 | 5.5 | V |
| Max Voltage | | -0.7 | | 7 | V |
| Current ² ≤20.000MHz 20.001 to 50.000MHz 50.001 to 75.000MHz | I_{DD} | | | 10 30 40 | mA mA mA |
| Current, Output Disabled | | | | 30 | uA |
| Frequency | | | | | |
| Nominal Frequency ³ | f_N | 1.544 | | 75.000 | MHz |
| Stability ^{4,8} (Ordering Option) | | ±20, ±25, ±32, ±50, ±100 | | | ppm |
| Output | | | | | |
| Output Logic Levels ² Output Logic High Output Logic Low Output Logic High Drive Output Logic Low Drive | V_{OH} V_{OL} I_{OH} I_{OL} | 0.9* V_{DD} 16 16 | | 0.1* V_{DD} | V V mA mA |
| Load | | | | 15 | pF |
| Output Rise /Fall Time ² <20.000MHz 20.000 to 50.000MHz 50.001 to 75.000MHz | t_R/t_F | | | 8 5 2 | ns ns ns |
| Output Leakage, Output Disabled | I_Z | | | ±10 | uA |
| Duty Cycle ^{2,5} | | 45 | 50 | 55 | % |
| Period Jitter ⁶ RMS Peak-Peak | ϕ_J | | 3.0 21 | | ps ps |
| RMS Jitter, 12kHz-20MHz | ϕ_J | | 0.5 | 1 | ps |
| Enable/Disable | | | | | |
| Output Enable/Disable ⁷ Output Enable Output Disable | V_{IH} V_{IL} | 4.0 | | 0.8 | V V |
| Disable time | t_D | | | 100 | ns |
| Enable Internal Pull-Up Resistor | | | 100 | | Kohm |
| Start-Up Time | t_{SU} | | | 8 | ms |
| Operating Temp (Ordering Option) | T_{OP} | -10/70, -20/70, -40/85, -40/105, -40/125, -55/105, -55/125 | | | °C |

- 1) The power supply should have by-pass capacitors as close to the supply and to ground as possible, for example 0.1 and 0.01uF.
- 2) Parameters are tested with the test circuit shown in Fig 1.
- 3) See Standard Frequencies and Ordering Information tables for more specific information.
- 4) Includes initial accuracy, operating temperature, supply voltage, shock and vibration (not under operation) and aging for ±50 and ±100ppm options.
- 5) Duty Cycle is measured as On Time/Period, see Fig 2.
- 6) Broadband Period Jitter measured using Wavecrest SIA3300C, 90K samples, see Application Note for Typical Phase Noise and Jitter Performance.
- 7) The Output is Enabled if the Enable/Disable is left open.
- 8) Only ±50 and ±100 stability option available for -40/105 °C, -40/125 °C, -55/105 °C and -55/125 °C Operating temperature range.

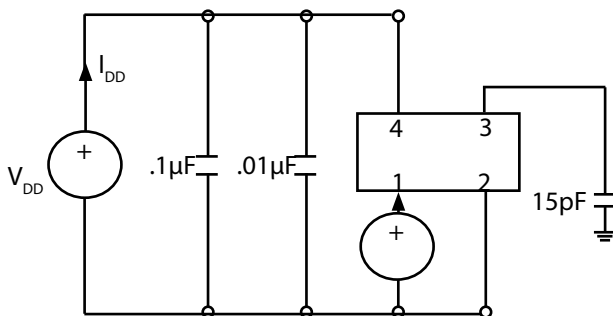


Fig 1: Test Circuit

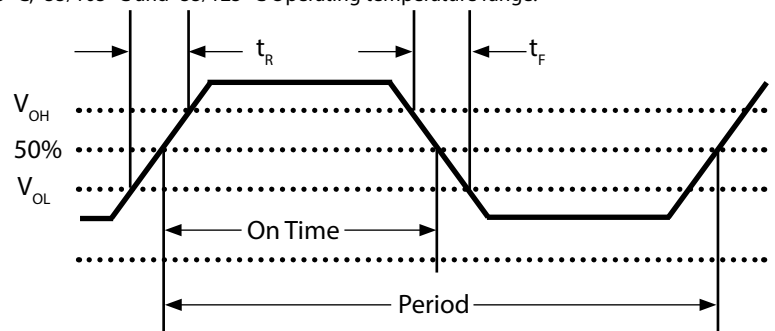


Fig 2: Waveform

Specifications

Table 2. Electrical Performance, 3.3V Option

| Parameter | Symbol | Min | Typical | Max | Units |
|---|--|--|-----------|--------------------------|----------------------------|
| Supply Voltage | | | | | |
| Voltage ¹ | V_{DD} | 2.97 | 3.30 | 3.63 | V |
| Max Voltage | | -0.5 | | 5.0 | V |
| Current ² 32.768kHz to 1.499MHz 1.500 to 20.000 MHz 20.001 to 50.000MHz 50.001 to 100.000MHz 100.001 to 125.000MHz | I_{DD} | | | 5 7 20 30 40 | mA mA mA mA mA |
| Current, Output Disabled | | | | 30 | uA |
| Frequency | | | | | |
| Nominal Frequency ³ | f_N | 0.032 | | 125.000 | MHz |
| Stability ^{4,8} (Ordering Option) | | ±20, ±25, ±32, ±50, ±100 | | | ppm |
| Output | | | | | |
| Output Logic Levels ² Output Logic High Output Logic Low Output Logic High Drive Output Logic Low Drive | V_{OH} V_{OL} I_{OH} I_{OL} | $0.9 \cdot V_{DD}$ 8 8 | | $0.1 \cdot V_{DD}$ | V V mA mA |
| Load | | | | 15 | pF |
| Output Rise /Fall Time ² 32.768kHz to 345.6kHz 345.6kHz to 20.000MHz 20.001 to 50.000MHz 50.001 to 75.000MHz 75.001 to 125.000MHz | t_R/t_F | | | 200 6 4 3 2 | ns ns ns ns ns |
| Output Leakage, Output Disabled | I_z | | | ±10 | uA |
| Duty Cycle ^{2,5} | | 45 | 50 | 55 | % |
| Period Jitter ⁶ RMS Peak-Peak | ϕ_J | | 3.0 21 | | ps ps |
| RMS Jitter, 12kHz-20MHz | ϕ_J | | 0.5 | 1 | ps |
| Enable/Disable | | | | | |
| Output Enable/Disable ⁷ Output Enable Output Disable | V_{IH} V_{IL} | 2.0 | | 0.5 | V V |
| Disable time | t_D | | | 100 | ns |
| Enable Internal Pull-Up Resistor | | | 100 | | Kohm |
| Start-Up Time | t_{SU} | | | 8 | ms |
| Operating Temp (Ordering Option) | T_{OP} | -10/70, -20/70, -40/85, -40/105, -40/125, -55/105, -55/125 | | | °C |

- 1] The power supply should have by-pass capacitors as close to the supply and to ground as possible, for example 0.1 and 0.01uF.
- 2] Parameters are tested with the test circuit shown in Fig 1.
- 3] See Standard Frequencies and Ordering Information tables for more specific information.
- 4] Includes initial accuracy, operating temperature, supply voltage, shock and vibration (not under operation) and aging for ±50 and ±100ppm options.
- 5] Duty Cycle is measured as On Time/Period, see Fig 2.
- 6] Broadband Period Jitter measured using Wavecrest SIA3300C, 90K samples, see Application Note for Typical Phase Noise and Jitter Performance.
- 7] The Output is Enabled if the Enable/Disable is left open.
- 8] Only ±50 and ±100 stability option available for -40/105 °C, -40/125 °C, -55/105 °C and -55/125 °C Operating temperature range.

Specifications

Table 3. Electrical Performance, 2.5V Option

| Parameter | Symbol | Min | Typical | Max | Units |
|---|--|--|-----------|--------------------------------|----------------------------------|
| Supply Voltage | | | | | |
| Voltage ¹ | V_{DD} | 2.25 | 2.50 | 2.75 | V |
| Max Voltage | | -0.5 | | 5.0 | V |
| Current ² 32.768kHz to 1.499MHz 1.500 to 20.000 MHz 20.001 to 50.000MHz 50.001 to 75.000MHz 75.001 to 100.000MHz 100.001 to 125.000MHz | I_{DD} | | | 5 7 15 20 25 30 | mA mA mA mA mA mA |
| Current, Output Disabled | | | | 30 | uA |
| Frequency | | | | | |
| Nominal Frequency ³ | f_N | 0.032 | | 125.000 | MHz |
| Stability ^{4,9} (Ordering Option) | | $\pm 20, \pm 25, \pm 32, \pm 50, \pm 100$ | | | ppm |
| Output | | | | | |
| Output Logic Levels ² Output Logic High Output Logic Low Output Logic High Drive Output Logic Low Drive Output Logic High Drive ⁸ Output Logic Low Drive ⁸ | V_{OH} V_{OL} I_{OH} I_{OL} I_{OH} I_{OL} | $0.9 \cdot V_{DD}$ 4 4 8 8 | | $0.1 \cdot V_{DD}$ | V V mA mA mA mA |
| Load | I_{OUT} | | | 15 | pF |
| Output Rise /Fall Time ² 32.768kHz to 345.6kHz 345.6kHz to 20.000MHz 20.001 to 50.000MHz 50.001 to 75.000MHz 75.001 to 125.000MHz | t_R/t_F | | | 200 6 5 3 2 | ns ns ns ns ns |
| Output Leakage, Output Disabled | I_Z | | | ± 10 | uA |
| Duty Cycle ^{2,5} | | 45 | 50 | 55 | % |
| Period Jitter ⁶ RMS Peak-Peak | ϕ_J | | 3.0 21 | | ps ps |
| RMS Jitter, 12kHz-20MHz | ϕ_J | | 0.5 | 1 | ps |
| Enable/Disable | | | | | |
| Output Enable/Disable ⁷ Output Enable Output Disable | V_{IH} V_{IL} | 1.75 | | 0.5 | V V |
| Disable time | t_D | | | 100 | ns |
| Enable Internal Pull-Up Resistor | | | 100 | | Kohm |
| Start-Up Time | t_{SU} | | | 8 | ms |
| Operating Temp (Ordering Option) | T_{OP} | -10/70, -20/70, -40/85, -40/105, -40/125, -55/105, -55/125 | | | °C |

- 1] The power supply should have by-pass capacitors as close to the supply and to ground as possible, for example 0.1 and 0.01uF.
- 2] Parameters are tested with the test circuit shown in Fig 1.
- 3] See Standard Frequencies and Ordering Information tables for more specific information.
- 4] Includes initial accuracy, operating temperature, supply voltage, shock and vibration (not under operation) and aging for ± 50 and ± 100 ppm options.
- 5] Duty Cycle is measured as On Time/Period, see Fig 2.
- 6] Broadband Period Jitter measured using Wavcrest SIA3300C, 90K samples, see Application Note for Typical Phase Noise and Jitter Performance.
- 7] The Output is Enabled if the Enable/Disable is left open.
- 8] For 3rd overtone crystal designs.
- 9] Only ± 50 and ± 100 stability option available for -40/105 °C, -40/125 °C, -55/105 °C and -55/125 °C Operating temperature range.

Table 4. Electrical Performance, 1.8V Option

| Parameter | Symbol | Min | Typical | Max | Units |
|---|--|--|-----------|---------------------|--------------------------------|
| Supply Voltage | | | | | |
| Voltage ¹ | V_{DD} | 1.71 | 1.80 | 1.89 | V |
| Max Voltage | | -0.5 | | 3.6 | V |
| Current ² 1.544 to 20.000 MHz 20.001 to 70.000MHz 70.001 to 100.000MHz 100.001 to 125.000MHz | I_{DD} | | | 5 15 20 25 | mA mA mA mA |
| Current, Output Disabled | | | | 30 | uA |
| Frequency | | | | | |
| Nominal Frequency ³ | f_N | 1.544 | | 125.000 | MHz |
| Stability ^{4,9} (Ordering Option) | | $\pm 20, \pm 25, \pm 32, \pm 50, \pm 100$ | | | ppm |
| Output | | | | | |
| Output Logic Levels ² Output Logic High Output Logic Low Output Logic High Drive Output Logic Low Drive Output Logic High Drive ⁸ Output Logic Low Drive ⁸ | V_{OH} V_{OL} I_{OH} I_{OL} I_{OH} I_{OL} | $0.9 * V_{DD}$ 2.8 2.8 8 8 | | $0.1 * V_{DD}$ | V V mA mA mA mA |
| Load | | | | 15 | pF |
| Output Rise /Fall Time ² 1.544 to 20.000MHz 20.001 to 50.000MHz 50.001 to 125.000MHz | t_R/t_F | | | 6 5 3 | ns ns ns |
| Output Leakage, Output Disabled | I_Z | | | ± 10 | uA |
| Duty Cycle ^{2,5} | | 45 | 50 | 55 | % |
| Period Jitter ⁶ RMS Peak-Peak | ϕJ | | 3.0 21 | | ps ps |
| RMS Jitter, 12kHz-20MHz | ϕJ | | 0.5 | 1 | ps |
| Enable/Disable | | | | | |
| Output Enable/Disable ⁷ Output Enable Output Disable | V_{IH} V_{IL} | 1.26 | | 0.5 | V V |
| Disable time | t_D | | | 100 | ns |
| Enable Internal Pull-Up Resistor | | | 1 | | Mohm |
| Start-Up Time | t_{SU} | | | 8 | ms |
| Operating Temp (Ordering Option) | T_{OP} | -10/70, -20/70, -40/85, -40/105, -40/125, -55/105, -55/125 | | | °C |

1] The power supply should have by-pass capacitors as close to the supply and to ground as possible, for example 0.1 and 0.01uF.

2] Parameters are tested with the test circuit shown in Fig 1.

3] See Standard Frequencies and Ordering Information tables for more specific information.

4] Includes initial accuracy, operating temperature, supply voltage, shock and vibration (not under operation) and aging for ± 50 and ± 100 ppm options.

5] Duty Cycle is measured as On Time/Period, see Fig 2.

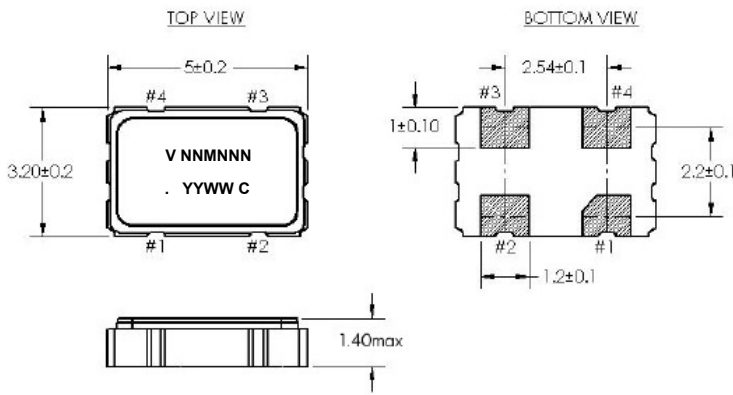
6] Broadband Period Jitter measured using Wavecrest SIA3300C, 90K samples, see Application Note for Typical Phase Noise and Jitter Performance.

7] The Output is Enabled if the Enable/Disable is left open.

8] For 3rd overtone crystal designs.

9] Only ± 50 and ± 100 stability option available for -40/105 °C, -40/125 °C, -55/105 °C and -55/125 °C Operating temperature range.

Outline Drawing & Pad Layout



All dimensions in mm

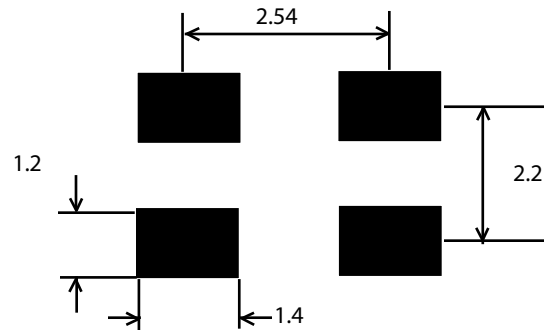


Table 5. Pin Out

| Pin | Symbol | Function |
|-----|-----------------|----------------------------|
| 1 | E/D | Enable Disable |
| 2 | GND | Case and Electrical Ground |
| 3 | Output | Output |
| 4 | V _{DD} | Power Supply Voltage |

Reliability

Vectron qualification includes aging at various extreme temperatures, shock and vibration, temperature cycling, and IR reflow simulation. The VC-801 family is capable of meeting the following qualification tests:

Table 6. Environmental Compliance

| Parameter | Conditions |
|----------------------------|--|
| Mechanical Shock | MIL-STD-883, Method 2002 |
| Mechanical Vibration | MIL-STD-883, Method 2007 |
| Solderability | MIL-STD-883, Method 2003 |
| Gross and Fine Leak | MIL-STD-883, Method 1014 |
| Resistance to Solvents | MIL-STD-883, Method 2015 |
| Moisture Sensitivity Level | MSL 1 |
| Contact Pads | Gold (0.3 um min 1.0 um max) over Nickel |
| Weight | 62 mg |

Although ESD protection circuitry has been designed into the VC-801 proper precautions should be taken when handling and mounting. Vectron employs a human body model (HBM) and a charged device model (CDM) for ESD susceptibility testing and design protection evaluation.

Table 7. ESD Ratings

| Model | Minimum | Conditions |
|----------------------|---------|--------------------------|
| Human Body Model | 1500V | MIL-STD-883, Method 3015 |
| Charged Device Model | 1000V | JESD22-C101 |

Stresses in excess of the absolute maximum ratings can permanently damage the device. Functional operation is not implied at these or any other conditions in excess of conditions represented in the operational sections of this datasheet. Exposure to absolute maximum ratings for extended periods may adversely affect device reliability. Permanent damage is also possible if E/D is applied before V_{DD}.

Table 8. Absolute Maximum Ratings

| Parameter | Symbol | Ratings | Unit |
|---------------------|-----------------|------------|----------|
| Storage Temperature | T _S | -55 to 125 | °C |
| Soldering Temp/Time | T _{LS} | 260 / 30 | °C / sec |

IR Reflow

Solderprofile:

The VC-801 is qualified to meet the JEDEC standard for Pb-Free assembly. The temperatures and time intervals listed are based on the Pb-Free small body requirements. The VC-801 device is hermetically sealed so an aqueous wash is not an issue.

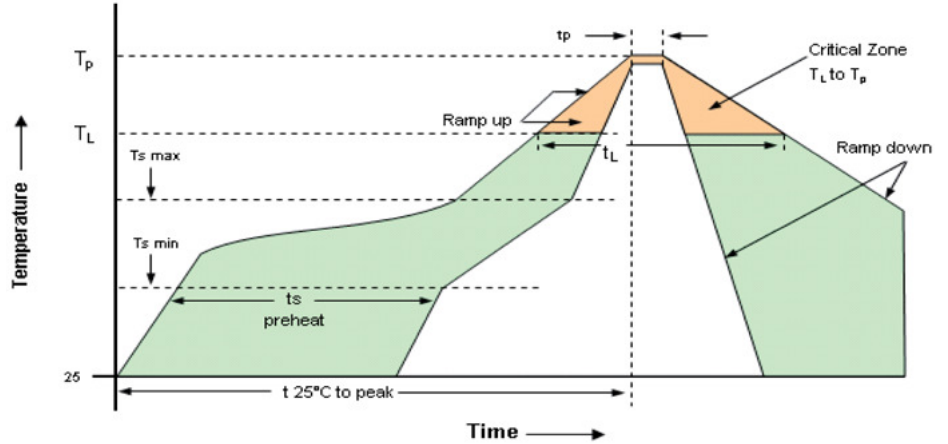


Table 9. Reflow Profile

| Parameter | Symbol | Value |
|----------------------------------|-------------|---|
| PreHeat Time Ts-min Ts-max | t_s | 60 sec Min, 260 sec Max 150°C 200°C |
| Ramp Up | R_{UP} | 3 °C/sec Max |
| Time Above 217 °C | t_L | 60 sec Min, 150 sec Max |
| Time To Peak Temperature | T_{AMB-P} | 480 sec Max |
| Time at 260 °C | t_p | 30 sec Max |
| Ramp Down | R_{DN} | 6 °C/sec Max |

Tape and Reel

Table 10 . Tape and Reel Dimensions

| Tape Dimensions (mm) | | | | | | Reel Dimensions (mm) | | | | | | | # Per Reel |
|----------------------|-----|-----|-----|-----|-----|----------------------|-----|-----|-----|-----|-----|-----|------------|
| Dimension | W | F | Do | Po | P1 | A | B | C | D | N | W1 | W2 | |
| Tolerance | Typ | Typ | Typ | Typ | Typ | Typ | Min | Typ | Min | Min | Typ | Max | |
| VC-801 | 16 | 7.5 | 1.5 | 4 | 8 | 180 | 2 | 13 | 21 | 60 | 17 | 21 | 1000 |

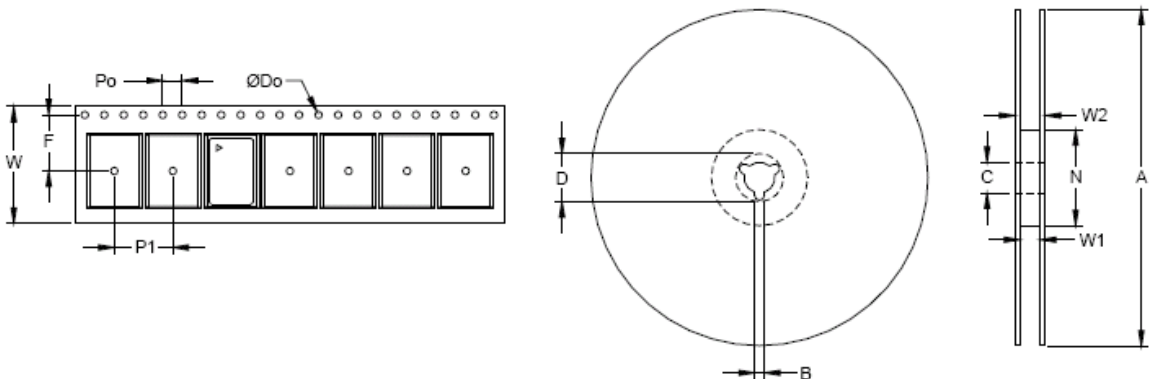
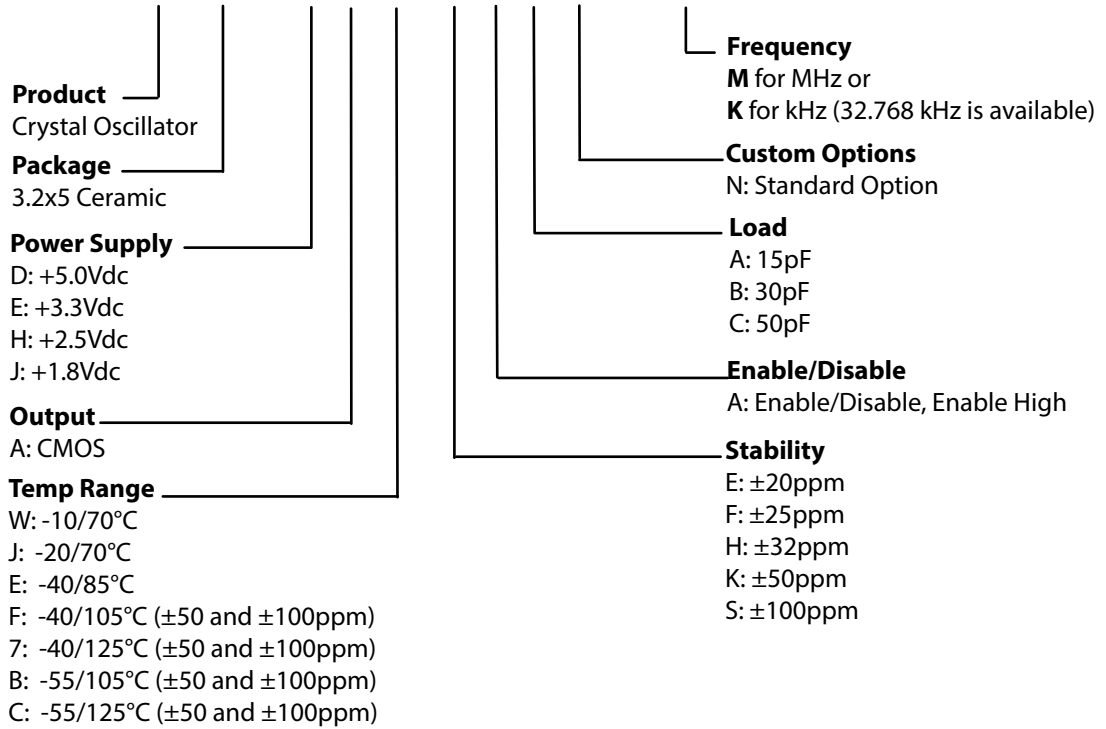


Table 11. Standard Output Frequencies (MHz)

| | | | | | | | |
|--------|-----------|---------|---------|-----------|---------|---------|--------|
| 9.8304 | 10.000 | 11.0590 | 11.0596 | 11.2896 | 12.000 | 12.272 | 12.288 |
| 12.353 | 13.000 | 13.500 | 13.560 | 14.318 | 14.7456 | 16.000 | 16.376 |
| 16.384 | 16.777216 | 16.800 | 17.734 | 17.734475 | 18.432 | 19.440 | 19.660 |
| 19.800 | 20.000 | 20.480 | 22.000 | 22.5792 | 24.000 | 24.5453 | 24.576 |
| 25.000 | 26.000 | 27.000 | 27,120 | 28.686 | 28.375 | 30.000 | 32.000 |
| 32.768 | 33.000 | 33.333 | 34.368 | 36.000 | 37.056 | 47.500 | 40.000 |
| 42.500 | 44.000 | 44.736 | 48.000 | 48.090 | 50.000 | 54.000 | 60.000 |
| 62.500 | 66.000 | 66.666 | 75.000 | 80.000 | 100.000 | 125.000 | |

Ordering Information

VC-801- E A W- K A A N- xxMxxxxxxx



Example: VC-801-EAW-KAAN-125M000000

**Note: not all combination of options are available. Other specifications may be available upon request. Please consult with factory.*

*** Add SNPB for tin lead solder dip**

Example: VC-801-EAW-KAAN-125M000000_SNPB

Revision History

| Revision Date | Approved | Description |
|------------------|----------|---|
| October 17, 2014 | VN | Modified package drawing to reflect 1.40mm maximum height. Added Revision History Table. |
| January 20, 2015 | VN | Included ordering options for -40/105°C, -40/125°C and -55/105°C Operating temperature ranges |
| August 10, 2018 | FB | Update logo and ordering information, Add SNPB DIP ordering information, |
| March 22, 2019 | FB | Update logo, contact information, disclaimer, change SNPB DIP to SNPB, add weight and gold plating thickness. |

Contact Information

USA:

100 Watts Street
Mt Holly Springs, PA 17065
Tel: 1.717.486.3411
Fax: 1.717.486.5920

Europe:

Landstrasse
74924 Neckarbischofsheim
Germany
Tel: +49 (0) 7268.801.0
Fax: +49 (0) 7268.801.281



Information contained in this publication regarding device applications and the like is provided only for your convenience and may be superseded by updates. It is your responsibility to ensure that your application meets with your specifications. MICROCHIP MAKES NO REPRESENTATION OR WARRANTIES OF ANY KIND WHETHER EXPRESS OR IMPLIED, WRITTEN OR ORAL, STATUTORY OR OTHERWISE, RELATED TO THE INFORMATION INCLUDING, BUT NOT LIMITED TO ITS CONDITION, QUALITY, PERFORMANCE, MERCHANTABILITY OR FITNESS FOR PURPOSE. Microchip disclaims all liability arising from this information and its use. Use of Microchip devices in life support and/or safety applications is entirely at the buyer's risk, and the buyer agrees to defend, indemnify and hold harmless Microchip from any and all damages, claims, suits, or expenses resulting from such use. No licenses are conveyed, implicitly, or otherwise, under any Microchip intellectual property rights unless otherwise stated.

Trademarks

The Microchip and Vectron names and logos are registered trademarks of Microchip Technology Incorporated in the U.S.A. and other countries.

Компания «Океан Электроники» предлагает заключение долгосрочных отношений при поставках импортных электронных компонентов на взаимовыгодных условиях!

Наши преимущества:

- Поставка оригинальных импортных электронных компонентов напрямую с производств Америки, Европы и Азии, а так же с крупнейших складов мира;
- Широкая линейка поставок активных и пассивных импортных электронных компонентов (более 30 млн. наименований);
- Поставка сложных, дефицитных, либо снятых с производства позиций;
- Оперативные сроки поставки под заказ (от 5 рабочих дней);
- Экспресс доставка в любую точку России;
- Помощь Конструкторского Отдела и консультации квалифицированных инженеров;
- Техническая поддержка проекта, помощь в подборе аналогов, поставка прототипов;
- Поставка электронных компонентов под контролем ВП;
- Система менеджмента качества сертифицирована по Международному стандарту ISO 9001;
- При необходимости вся продукция военного и аэрокосмического назначения проходит испытания и сертификацию в лаборатории (по согласованию с заказчиком);
- Поставка специализированных компонентов военного и аэрокосмического уровня качества (Xilinx, Altera, Analog Devices, Intersil, Interpoint, Microsemi, Actel, Aeroflex, Peregrine, VPT, Syfer, Eurofarad, Texas Instruments, MS Kennedy, Miteq, Cobham, E2V, MA-COM, Hittite, Mini-Circuits, General Dynamics и др.);

Компания «Океан Электроники» является официальным дистрибьютором и эксклюзивным представителем в России одного из крупнейших производителей разъемов военного и аэрокосмического назначения «JONHON», а так же официальным дистрибьютором и эксклюзивным представителем в России производителя высокотехнологичных и надежных решений для передачи СВЧ сигналов «FORSTAR».



JONHON

«JONHON» (основан в 1970 г.)

Разъемы специального, военного и аэрокосмического назначения:

(Применяются в военной, авиационной, аэрокосмической, морской, железнодорожной, горно- и нефтедобывающей отраслях промышленности)

«FORSTAR» (основан в 1998 г.)

ВЧ соединители, коаксиальные кабели,
кабельные сборки и микроволновые компоненты:

(Применяются в телекоммуникациях гражданского и специального назначения, в средствах связи, РЛС, а так же военной, авиационной и аэрокосмической отраслях промышленности).



Телефон: 8 (812) 309-75-97 (многоканальный)

Факс: 8 (812) 320-03-32

Электронная почта: ocean@oceanchips.ru

Web: <http://oceanchips.ru/>

Адрес: 198099, г. Санкт-Петербург, ул. Калинина, д. 2, корп. 4, лит. А