

500-mA 3.3-V or 5.0-V Output LDO Regulators

BD4xxM5-C Series

●General Description

The BD4xxM5 series are low quiescent regulators featuring 45 V absolute maximum voltage, and output voltage accuracy of $\pm 2\%$ (3.3 V or 5 V: Typ.), 500 mA output current and 38 μA (Typ.) current consumption. These regulators are therefore ideal for applications requiring a direct connection to the battery and a low current consumption.

A logical "HIGH" at the CTL enables the device and "LOW" at the CTL disables the device.

(Only W: Includes Enable Input).

Ceramic capacitors can be used for compensation of the output capacitor phase. Furthermore, these ICs also feature overcurrent protection to protect the device from damage caused by short-circuiting and an integrated thermal shutdown to protect the device from overheating at overload conditions.

●Key Specifications

- Qualified for Automotive Applications
- Wide Temperature Range (Tj): -40 °C to +150 °C
- Wide Operating Input Range: 3.0 V to 42 V
- Low Quiescent Current: 38 μA (Typ.)
- Output Current: 500 mA
- High Output Voltage Accuracy: $\pm 2\%$
- Output Voltage: 3.3 V or 5.0 V (Typ.)
- Enable Input (Only W)
- Overload Current Protection (OCP)
- Thermal Shutdown Protection (TSD)
- AEC-Q100 Qualified

●Package

W (Typ.) × D (Typ.) × H (Max.)

- FPJ: TO252-J5F 6.60 mm × 10.10 mm × 2.38 mm



- FP2: TO263-5F 10.16 mm × 15.10 mm × 4.70 mm



- FP: TO252-3 6.50 mm × 9.50 mm × 2.50 mm



- FP2: TO263-3F 10.16 mm × 15.10 mm × 4.70 mm



Figure 1. Package Outlook

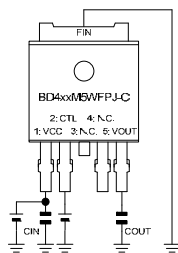
●Applications

- Automotive (body, audio system, navigation system, etc.)

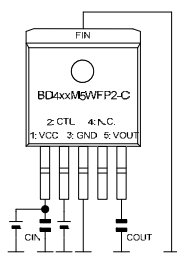
●Typical Application Circuits

- Components Externally Connected: $0.1\ \mu\text{F} \leq \text{CIN}$, $10\ \mu\text{F} \leq \text{COUT}$ (Typ.)

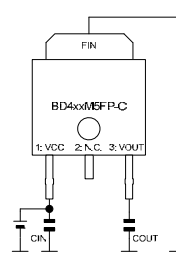
* Electrolytic, tantalum and ceramic capacitors can be used.



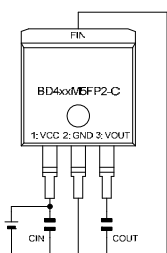
BD433 / 450M5WFPJ-C



BD433 / 450M5WFP2-C



BD433 / 450M5FP-C

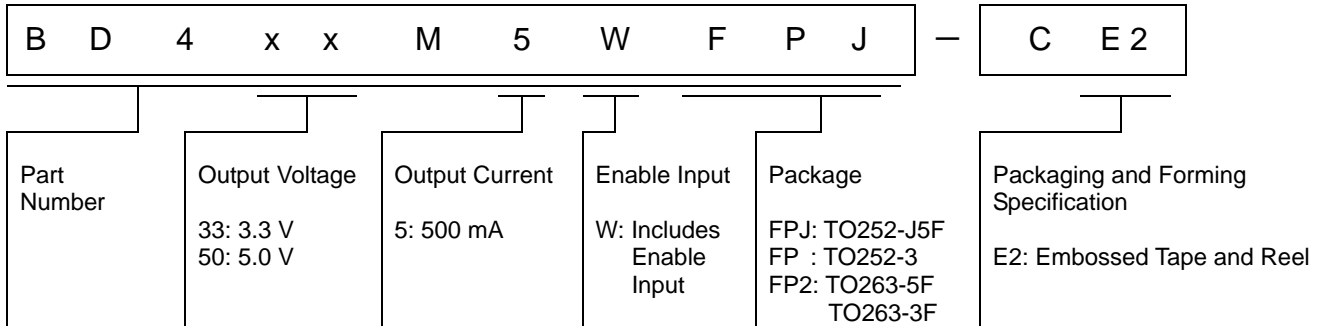


BD433 / 450M5FP2-C

Figure 2. Typical Application Circuits

○Product structure: Silicon Monolithic Integrated Circuit ○This product is not designed protection against radioactive rays.

●Ordering Information



●Lineup

| Output Current Ability | Output Voltage (Typ.) | Enable Input ⁽¹⁾ | Package Type | Orderable Part Number |
|------------------------|-----------------------|-----------------------------|--------------|-----------------------|
| 500 mA | 3.3 V | ○ | TO252-J5F | BD433M5WFPJ-CE2 |
| | | | TO263-5F | BD433M5WFP2-CE2 |
| | | - | TO252-3 | BD433M5FP-CE2 |
| | | | TO263-3F | BD433M5FP2-CE2 |
| | 5.0 V | ○ | TO252-J5F | BD450M5WFPJ-CE2 |
| | | | TO263-5F | BD450M5WFP2-CE2 |
| | | - | TO252-3 | BD450M5FP-CE2 |
| | | | TO263-3F | BD450M5FP2-CE2 |

(1) ○: Includes Enable Input
 -: Not includes Enable Input

● Pin Configurations

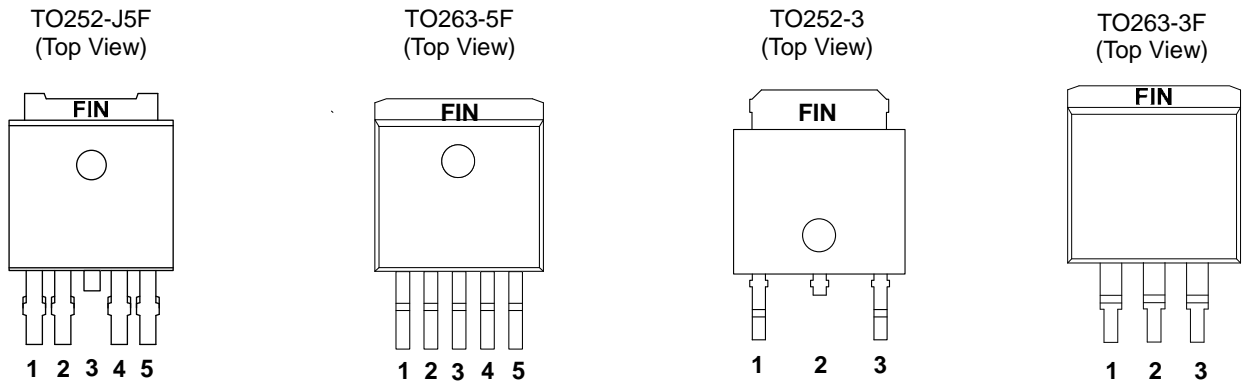


Figure 3. Pin Configuration

● Pin Descriptions

■ BD433 / 450M5WFPJ-C

| Pin No. | Pin Name | Function |
|---------|----------|--------------------------|
| 1 | VCC | Supply Voltage Input Pin |
| 2 | CTL | Output Control Pin |
| 3 | GND | Ground Pin |
| 4 | N.C. | Not Connected |
| 5 | VOUT | Output Pin |
| 6 (FIN) | GND | Ground Pin |

■BD433 / 450M5WFP2-C

| Pin No. | Pin Name | Function |
|---------|----------|--------------------------|
| 1 | VCC | Supply Voltage Input Pin |
| 2 | CTL | Output Control Pin |
| 3 | GND | Ground Pin |
| 4 | N.C. | Not Connected |
| 5 | VOUT | Output Pin |
| 6 (FIN) | GND | Ground Pin |

■ BD433 / 450M5FP-C

| Pin No. | Pin Name | Function |
|---------|----------|--------------------------|
| 1 | VCC | Supply Voltage Input Pin |
| 2 | N.C. | Not Connected |
| 3 | VOUT | Output Pin |
| 4 (FIN) | GND | Ground Pin |

■BD433 / 450M5FP2-C

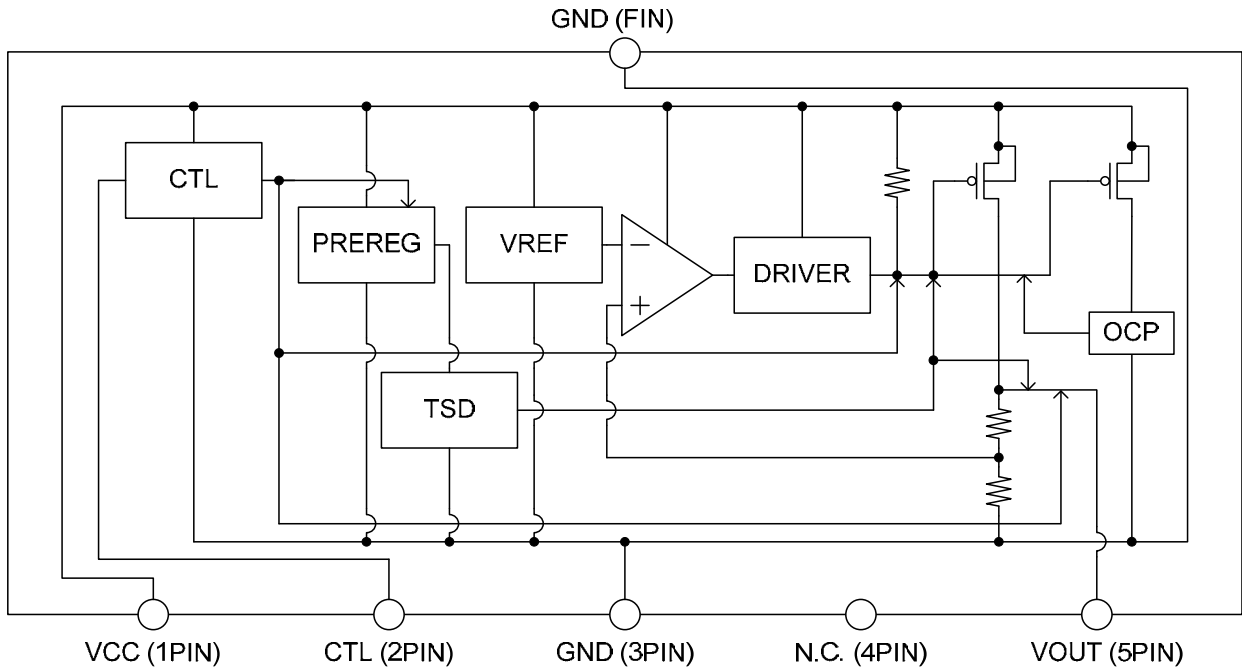
| Pin No. | Pin Name | Function |
|---------|----------|--------------------------|
| 1 | VCC | Supply Voltage Input Pin |
| 2 | GND | Ground Pin |
| 3 | VOUT | Output Pin |
| 4 (FIN) | GND | Ground Pin |

* N.C. Pin is recommended to short with GND.

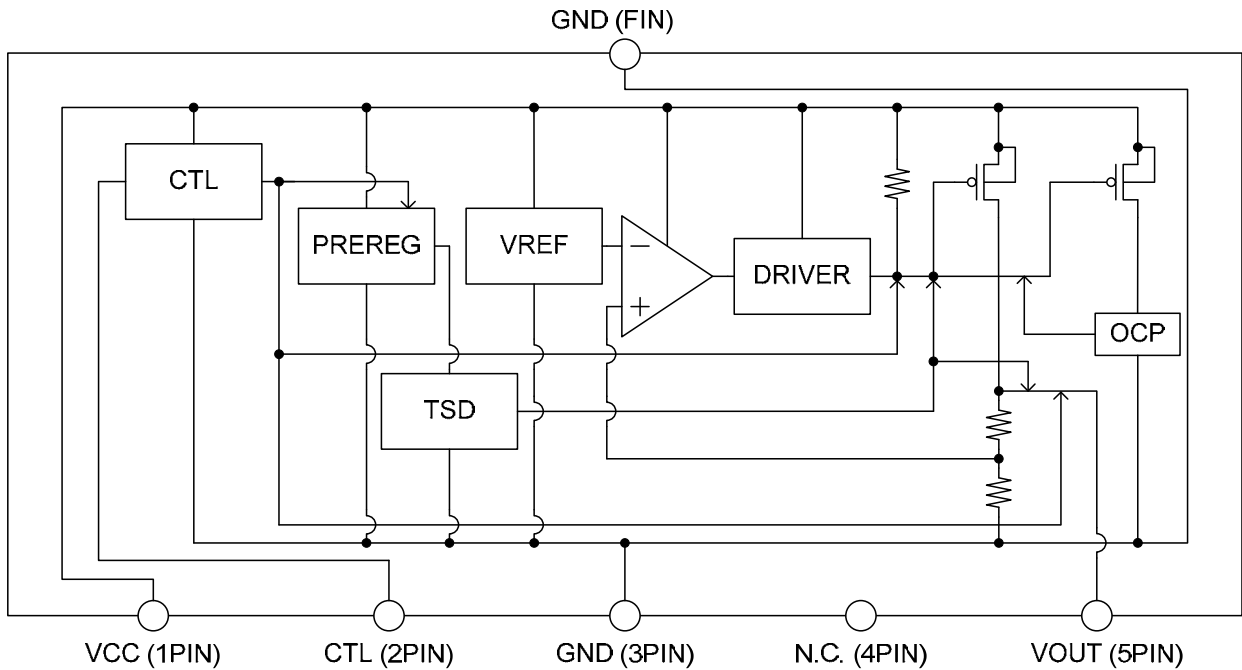
* N.C. Pin can be open because it isn't connected it inside of IC.

● Block Diagrams

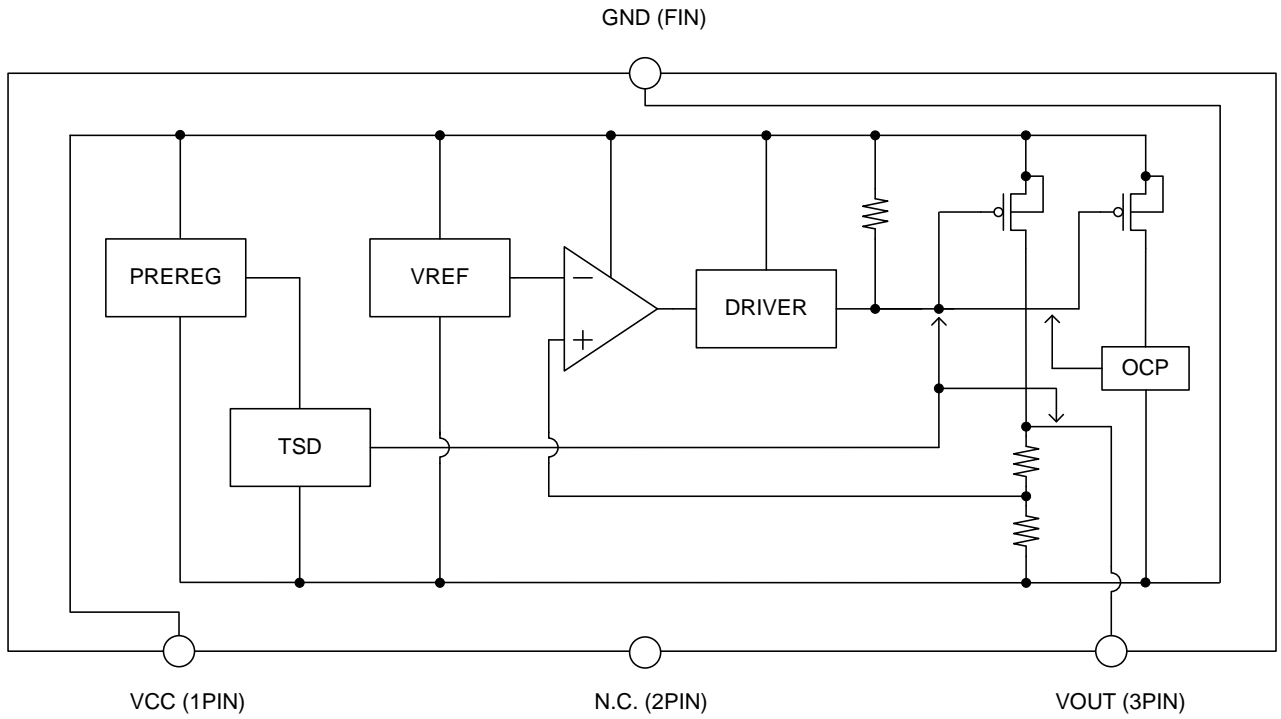
■ BD433 / 450M5WFPJ-C



■ BD433 / 450M5WFP2-C



■ BD433 / 450M5FP-C



■ BD433 / 450M5FP2-C

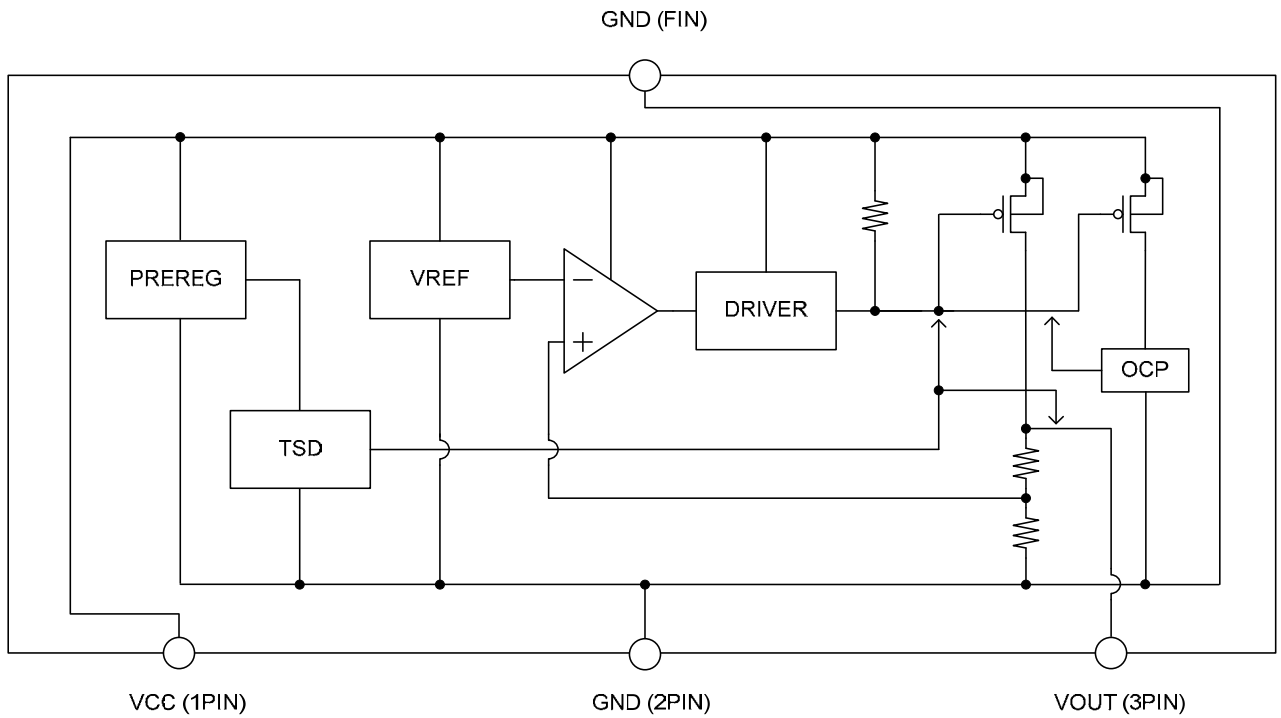


Figure 4. Block Diagrams

●Description of Blocks

| Block Name | Function | Description of Blocks |
|--------------------|-------------------------------|---|
| CTL ⁽¹⁾ | Control Output Voltage ON/OFF | A logical "HIGH" ($\geq 2.8 \text{ V}$) at the CTL enables the device and "LOW" ($\leq 0.8 \text{ V}$) at the CTL disable the device. |
| PREREG | Internal Power Supply | Power Supply for Internal Circuit |
| TSD | Thermal Shutdown Protection | To protect the device from overheating. If the chip temperature (T_j) reaches ca. $175 \text{ }^\circ\text{C}$ (Typ.), the output is turned off. |
| VREF | Reference Voltage | Generate the Reference Voltage |
| DRIVER | Output MOS FET Driver | Drive the Output MOS FET |
| OCP | Over Current Protection | To protect the device from damage caused by over current. If the output current reaches ca. 1000 mA (Typ.), the output is turned off. |

(1) Applicable for product with Enable Input.

● Absolute Maximum Ratings

| Parameter | | Symbol | Ratings | Unit |
|------------------------------|---------------|-----------------------|---------------|------|
| Supply Voltage | (1) | VCC | -0.3 to +45.0 | V |
| Output Control Voltage | (2) | CTL | -0.3 to +45.0 | V |
| Output Voltage | | VOUT | -0.3 to +8.0 | V |
| Power Dissipation | TO252-J5F (3) | Pd | 1.30 | W |
| | TO263-5F (4) | Pd | 1.90 | W |
| | TO252-3 (5) | Pd | 1.30 | W |
| | TO263-3F (6) | Pd | 1.90 | W |
| Junction Temperature Range | | Tj | -40 to +150 | °C |
| Storage Temperature Range | | Tstg | -55 to +150 | °C |
| Maximum Junction Temperature | | Tjmax | 150 | °C |
| ESD withstand Voltage (HBM) | (7) | V _{ESD, HBM} | ±2000 | V |

- (1) Do not exceed Pd.
- (2) Applicable for product with Enable Input.
The start-up orders of power supply (VCC) and the CTL do not influence if the voltage is within the operation power supply voltage range.
- (3) TO252-J5F mounted on 114.3 mm × 76.2 mm × 1.6 mm FR4 PCB based on JEDEC. If Ta ≥ 25°C, reduce by 10 mW/°C.
(1-layer PCB: Copper foil area on the reverse side of PCB: 0 mm × 0 mm)
- (4) TO263-5F mounted on 114.3 mm × 76.2 mm × 1.6 mm FR4 PCB based on JEDEC. If Ta ≥ 25°C, reduce by 15 mW/°C.
(1-layer PCB: Copper foil area on the reverse side of PCB: 0 mm × 0 mm)
- (5) TO252-3 mounted on 114.3 mm × 76.2 mm × 1.6 mm Glass-Epoxy PCB based on JEDEC. If Ta ≥ 25°C, reduce by 10 mW/°C
(1-layer PCB: Copper foil area on the reverse side of PCB: 0 mm × 0 mm)
- (6) TO263-3F mounted on 114.3 mm × 76.2 mm × 1.6 mm FR4 PCB based on JEDEC. If Ta ≥ 25°C, reduce by 15 mW/°C.
(1-layer PCB: Copper foil area on the reverse side of PCB: 0 mm × 0 mm)
- (7) ESD susceptibility Human Body Model "HBM".

● Operating Conditions (-40 °C ≤ Tj ≤ +150 °C)

| Parameter | Symbol | Min. | Max. | Unit |
|----------------------------------|---------|------|------|------|
| Supply Voltage (IOUT ≤ 500 mA) | (1) VCC | 5.9 | 42.0 | V |
| Supply Voltage (IOUT ≤ 250 mA) | (1) VCC | 5.5 | 42.0 | V |
| Supply Voltage (IOUT ≤ 500 mA) | (2) VCC | 4.6 | 42.0 | V |
| Supply Voltage (IOUT ≤ 250 mA) | (2) VCC | 4.0 | 42.0 | V |
| Output Control Voltage | (3) CTL | 0 | 42.0 | V |
| Start-Up Voltage | (4) VCC | 3.0 | – | V |
| Output Current | IOUT | 0 | 500 | mA |
| Junction Temperature Range | Tj | -40 | +150 | °C |

(1) BD450M5WFPJ-C / BD450M5WFP2-C / BD450M5FP-C / BD450M5FP2-C

(2) BD433M5WFPJ-C / BD433M5WFP2-C / BD433M5FP-C / BD433M5FP2-C

(3) Applicable for Product with Enable Input.

(4) When IOUT = 0 mA

Notice: Please consider that the output voltage would be dropped (Dropout voltage) according to the output current.

● Thermal Resistance

| Parameter | Symbol | Min. | Max. | Unit |
|--|---------------|------|------|------|
| TO252-J5F Package | | | | |
| Junction to Ambient ⁽¹⁾ | θ_{ja} | 19.2 | — | °C/W |
| Junction to Case (bottom) ⁽¹⁾ | θ_{jc} | 1 | — | °C/W |
| TO263-5F Package | | | | |
| Junction to Ambient ⁽²⁾ | θ_{ja} | 15.6 | — | °C/W |
| Junction to Case (bottom) ⁽²⁾ | θ_{jc} | 1 | — | °C/W |
| TO252-3 Package | | | | |
| Junction to Ambient ⁽³⁾ | θ_{ja} | 24.5 | — | °C/W |
| Junction to Case (bottom) ⁽³⁾ | θ_{jc} | 3 | — | °C/W |
| TO263-3F Package | | | | |
| Junction to Ambient ⁽⁴⁾ | θ_{ja} | 15.6 | — | °C/W |
| Junction to Case (bottom) ⁽⁴⁾ | θ_{jc} | 1 | — | °C/W |

- (1) TO252-J5 mounted on 114.3 mm × 76.2 mm × 1.6 mm Glass-Epoxy PCB based on JEDEC.
(4-layer PCB: Copper foil on the reverse side of PCB: 74.2 mm × 74.2 mm)
- (2) TO263-5F mounted on 114.3 mm × 76.2 mm × 1.6 mm Glass-Epoxy PCB based on JEDEC.
(4-layer PCB: Copper foil on the reverse side of PCB: 74.2 mm × 74.2 mm)
- (3) TO252-3 mounted on 114.3 mm × 76.2 mm × 1.6 mm Glass-Epoxy PCB based on JEDEC.
(4-layer PCB: Copper foil on the reverse side of PCB: 74.2 mm × 74.2 mm)
- (4) TO263-3F mounted on 114.3 mm × 76.2 mm × 1.6 mm Glass-Epoxy PCB based on JEDEC.
(4-layer PCB: Copper foil on the reverse side of PCB: 74.2 mm × 74.2 mm)

●Electrical Characteristics

Unless otherwise specified, $-40\text{ °C} \leq T_j \leq +150\text{ °C}$, $V_{CC} = 13.5\text{ V}$, $CTL = 5\text{ V}^{(1)}$, $I_{OUT} = 0\text{ mA}$
The typical value is defined at $T_j = 25\text{ °C}$.

| Parameter | Symbol | Limit | | | Unit | Conditions |
|-------------------|---------------------------------|-------|------|------|------|---|
| | | Min. | Typ. | Max. | | |
| Shut Down Current | Ishut ⁽¹⁾ | – | 2.0 | 5.0 | μA | CTL = 0 V T _j ≤ 125 °C |
| Circuit Current | I _{cc} | – | 38 | 95 | μA | I _{OUT} = 0 mA T _j ≤ 125 °C |
| | | – | 38 | 175 | μA | I _{OUT} ≤ 500 mA T _j ≤ 150 °C |
| Output Voltage | V _{OUT} ⁽²⁾ | 4.90 | 5.00 | 5.10 | V | 6 V ≤ V _{CC} ≤ 42 V, 0 mA ≤ I _{OUT} ≤ 400 mA |
| | | 4.80 | 5.00 | 5.10 | V | 6 V ≤ V _{CC} ≤ 42V 0 mA ≤ I _{OUT} ≤ 500 mA |
| | V _{OUT} ⁽³⁾ | 3.23 | 3.30 | 3.37 | V | 6 V ≤ V _{CC} ≤ 42 V 0 mA ≤ I _{OUT} ≤ 400 mA |
| | | 3.20 | 3.30 | 3.37 | V | 6 V ≤ V _{CC} ≤ 42 V 0 mA ≤ I _{OUT} ≤ 500 mA |
| Dropout Voltage | ΔV _d ⁽²⁾ | – | 0.20 | 0.50 | V | V _{CC} = V _{OUT} × 0.95 (Typ. 4.75 V) I _{OUT} = 300 mA |
| | ΔV _d ⁽³⁾ | – | 0.25 | 0.75 | V | V _{CC} = V _{OUT} × 0.95 (Typ. 3.135 V) I _{OUT} = 300 mA |
| Ripple Rejection | R.R. | 55 | 60 | – | dB | f = 120 Hz, e _{in} = 1 V _{rms} I _{OUT} = 100 mA |
| Line Regulation | Reg.I | – | 10 | 30 | mV | 8 V ≤ V _{CC} ≤ 16 V |
| Load Regulation | Reg.L | – | 10 | 30 | mV | 10 mA ≤ I _{OUT} ≤ 400 mA |
| Thermal Shut Down | TSD | – | 175 | – | °C | T _j at TSD ON |

(1) Applicable for Product with Enable Input.

(2) For BD450M5WFPJ-C / BD450M5WFP2-C / BD450M5FP-C / BD450M5FP2-C

(3) For BD433M5WFPJ-C / BD433M5WFP2-C / BD433M5FP-C / BD433M5FP2-C

●Electrical Characteristics (Enable function * Applicable for product with Enable Input.)

Unless otherwise specified, $-40\text{ °C} \leq T_j \leq +150\text{ °C}$, $V_{CC} = 13.5\text{ V}$, $I_{OUT} = 0\text{ mA}$. The typical value is defined at $T_j = 25\text{ °C}$.

| Parameter | Symbol | Limit | | | Unit | Conditions |
|----------------------|------------------|-------|------|------|------|-------------|
| | | Min. | Typ. | Max. | | |
| CTL ON Mode Voltage | V _{thH} | 2.8 | – | – | V | Active Mode |
| CTL OFF Mode Voltage | V _{thL} | – | – | 0.8 | V | Off Mode |
| CTL Bias Current | I _{CTL} | – | 15 | 30 | μA | CTL = 5 V |

● Typical Performance Curves

■ BD433M5WFPJ-C / BD433M5WFP2-C / BD433M5FP-C / BD433M5FP2-C Reference Data

Unless otherwise specified: $-40\text{ }^{\circ}\text{C} \leq T_j \leq +150\text{ }^{\circ}\text{C}$, $V_{CC} = 13.5\text{ V}$, $CTL = 5\text{ V}^{(1)}$, $I_{OUT} = 0\text{ mA}$.

(1) Applicable for Product with Enable Input.

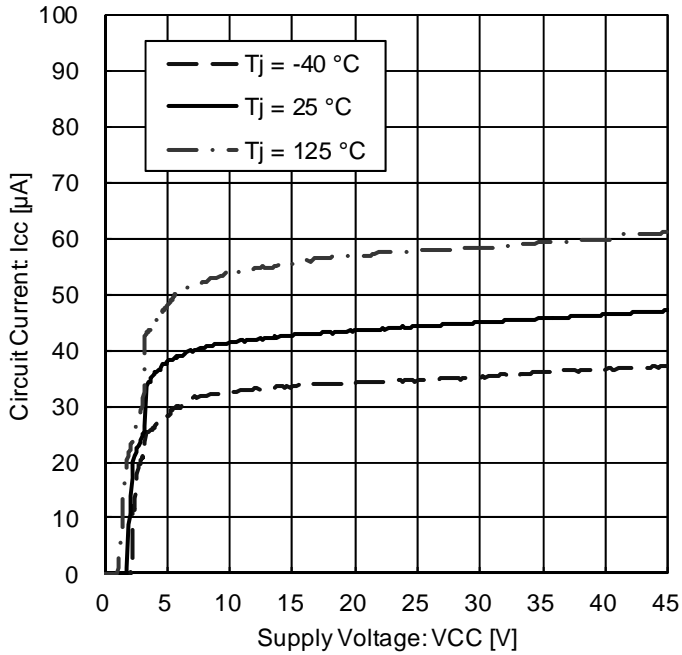


Figure 5. Circuit Current vs. Power Supply Voltage

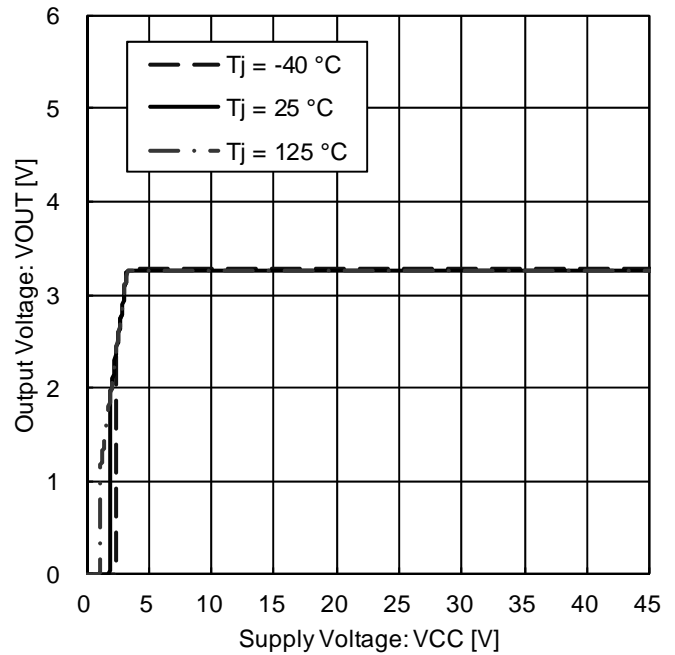


Figure 6. Output Voltage vs. Power Supply Voltage (IOUT = 0 mA)

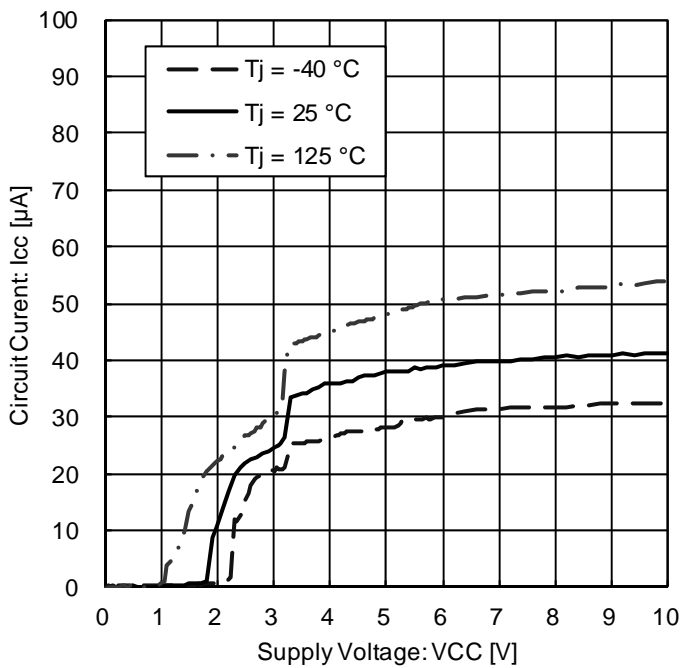


Figure 7. Circuit Current vs. Power Supply Voltage
*Magnified Figure 5. at low supply voltage

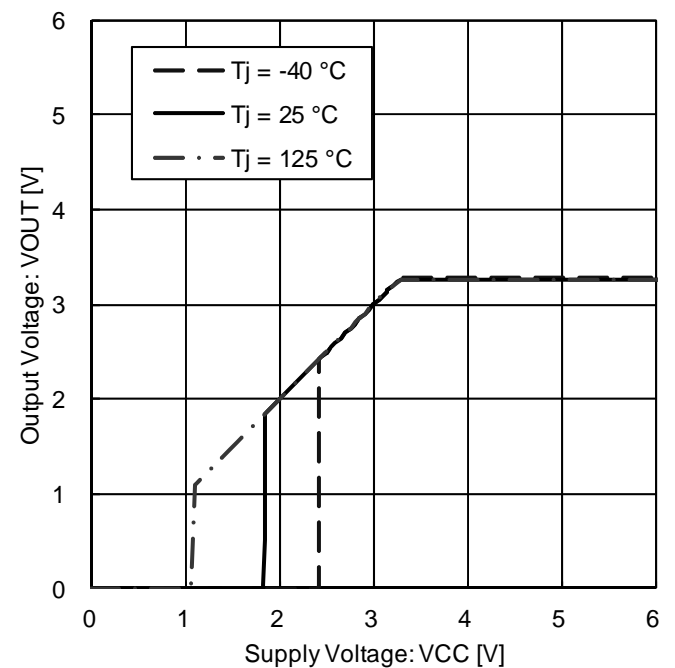


Figure 8. Output voltage vs. Power Supply Voltage (IOUT = 0 mA)
* Magnified Figure 6. at Low Supply Voltage

● Typical Performance Curves

■ BD433M5WFPJ-C / BD433M5WFP2-C / BD433M5FP-C / BD433M5FP2-C Reference Data

Unless otherwise specified: $-40\text{ °C} \leq T_j \leq +150\text{ °C}$, $V_{CC} = 13.5\text{ V}$, $CTL = 5\text{ V}^{(1)}$, $I_{OUT} = 0\text{ mA}$.

(1) Applicable for Product with Enable Input.

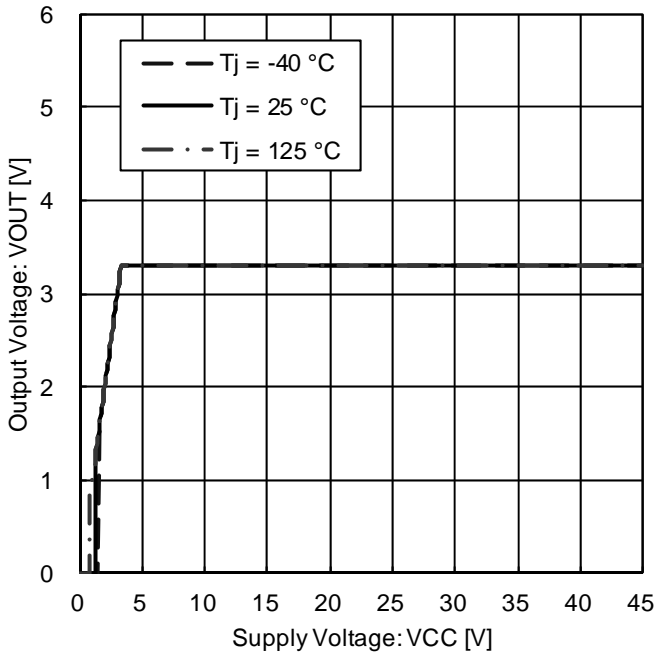


Figure 9. Output Voltage vs. Power Supply Voltage ($I_{OUT} = 10\text{ mA}$)

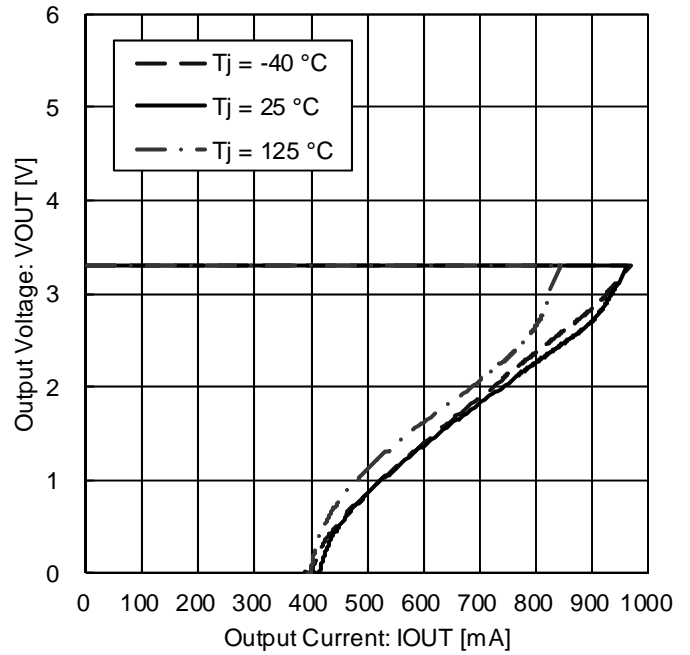


Figure 10. Output Voltage vs. Load (Over Current Protection)

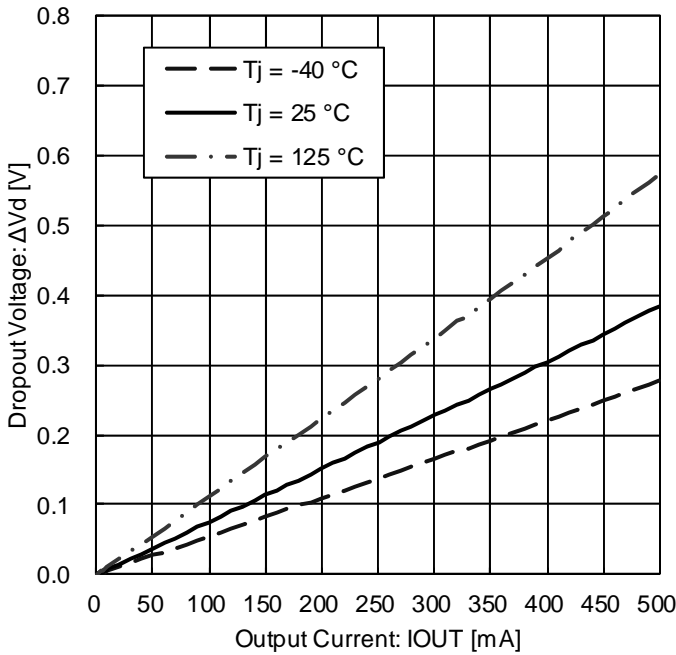


Figure 11. Dropout Voltage ($V_{CC} = 3.135\text{ V}$)

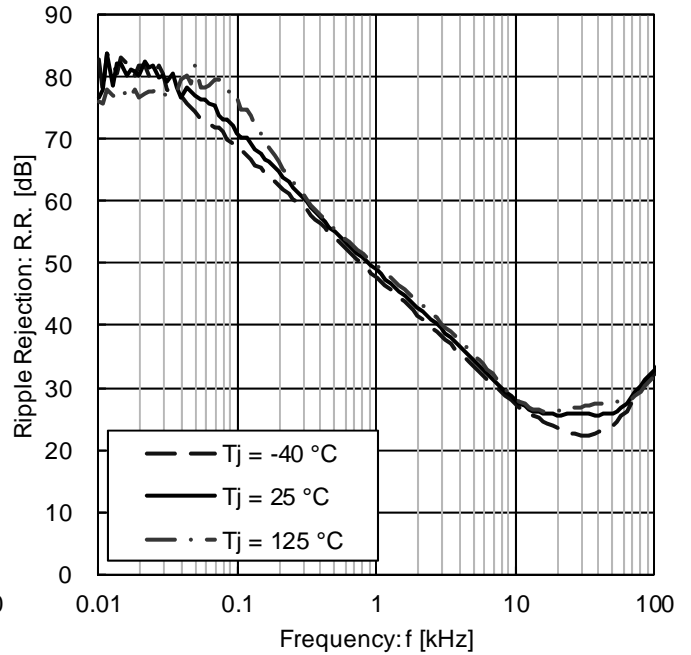


Figure 12. Ripple Rejection ($e_{in} = 1\text{ V}_{rms}$, $I_{OUT} = 100\text{ mA}$)

● Typical Performance Curves

■ BD433M5WFPJ-C / BD433M5WFP2-C / BD433M5FP-C / BD433M5FP2-C Reference Data

Unless otherwise specified: $-40\text{ °C} \leq T_j \leq +150\text{ °C}$, $V_{CC} = 13.5\text{ V}$, $CTL = 5\text{ V}^{(1)}$, $I_{OUT} = 0\text{ mA}$.

(1) Applicable for Product with Enable Input.

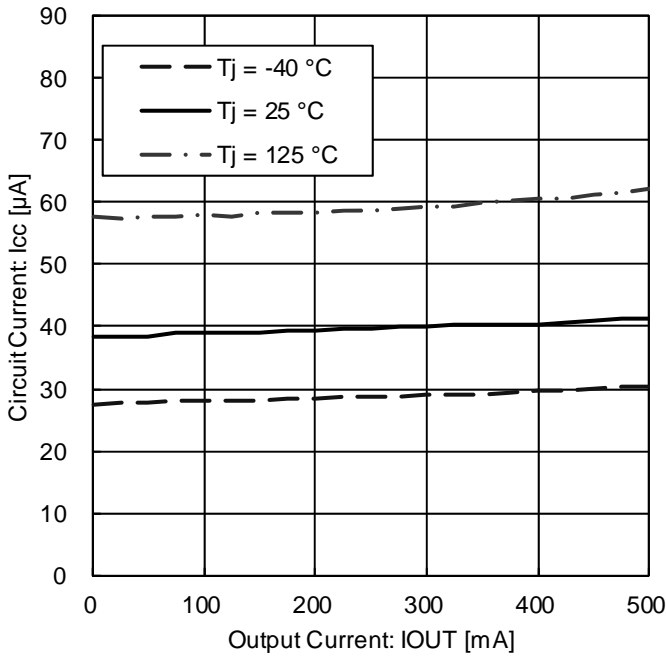


Figure 13. Circuit Current vs. Output Current

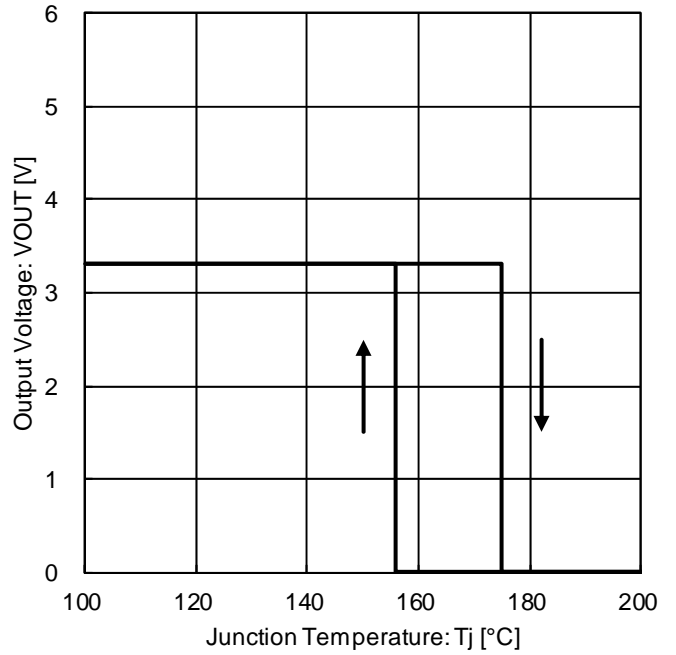


Figure 14. Output Voltage vs. Temperature (Thermal Shut Down)

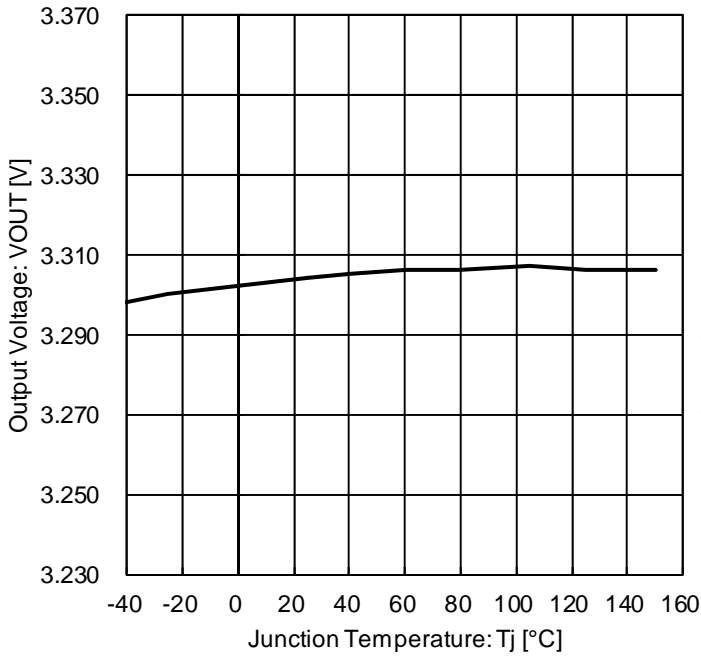


Figure 15. Output Voltage vs. Temperature

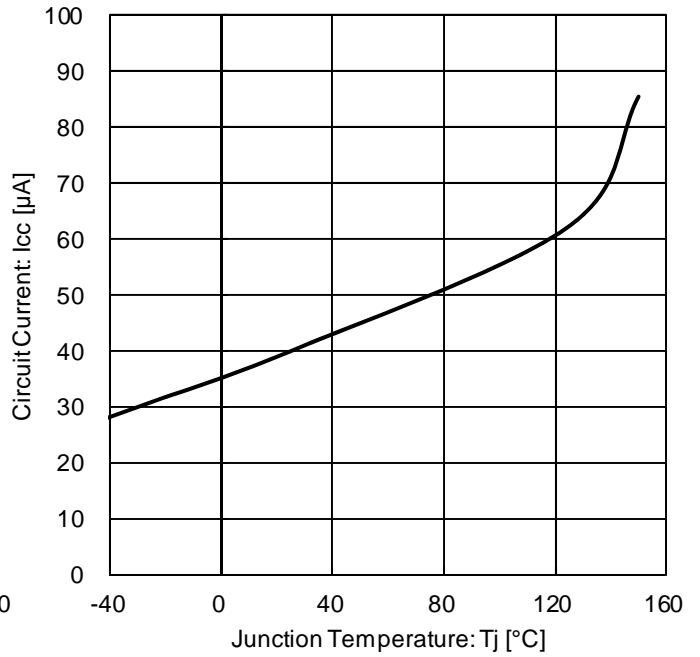


Figure 16. Circuit Current vs. Temperature

● Typical Performance Curves

■ BD433M5WFPJ-C / BD433M5WFP2-C Reference Data

Unless otherwise specified: $-40\text{ °C} \leq T_j \leq +150\text{ °C}$, $V_{CC} = 13.5\text{ V}$, $I_{OUT} = 0\text{ mA}$

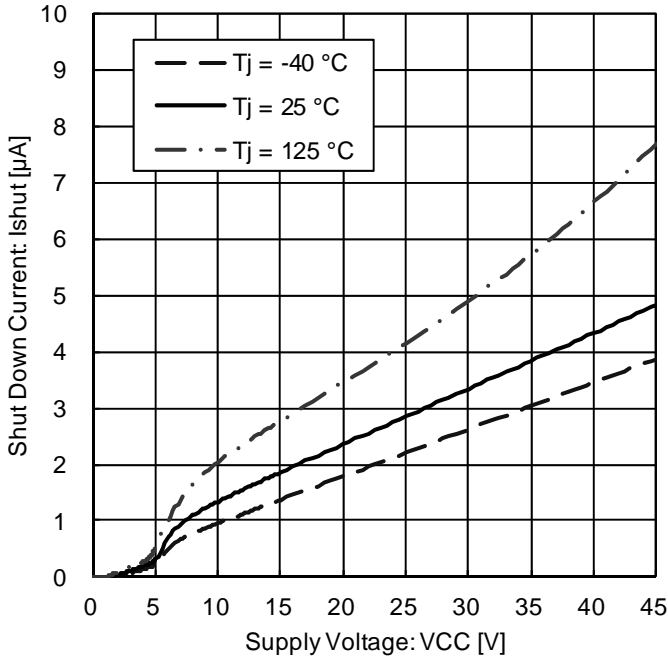


Figure 17. Shut Down Current vs. Power Supply Voltage (CTL = 0 V)

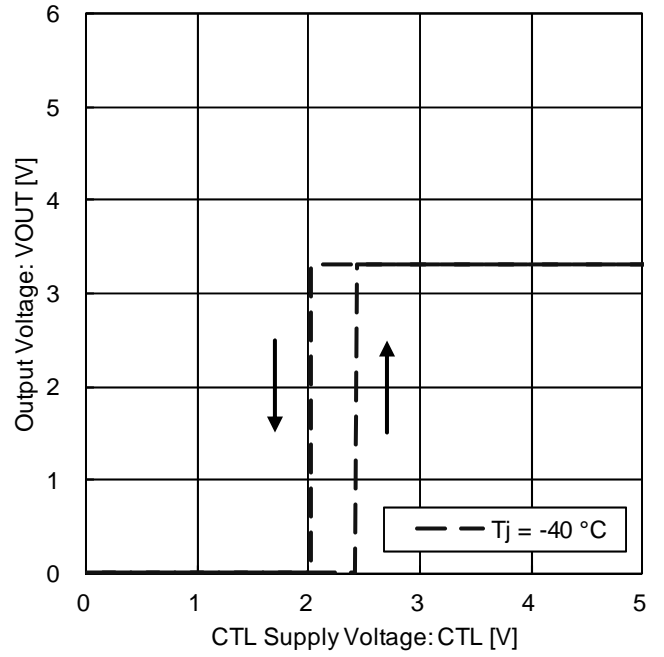


Figure 18. CTL ON / OFF Mode Voltage ($T_j = -40\text{ °C}$)

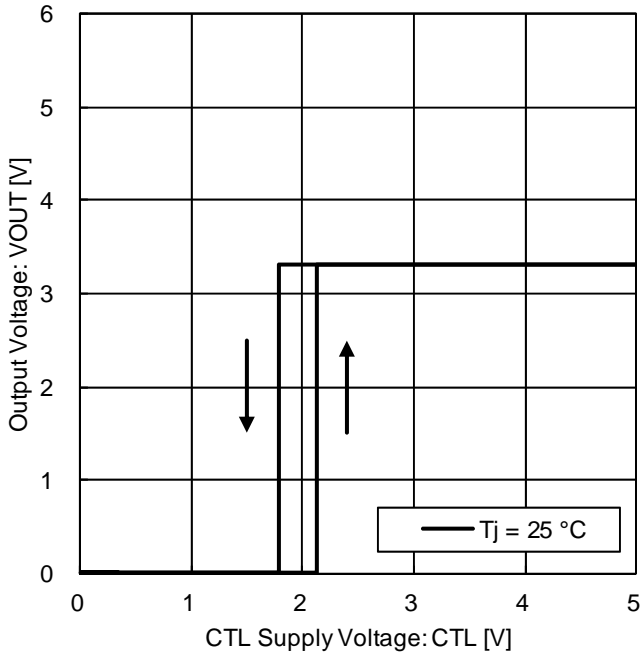


Figure 19. CTL ON / OFF Mode Voltage ($T_j = 25\text{ °C}$)

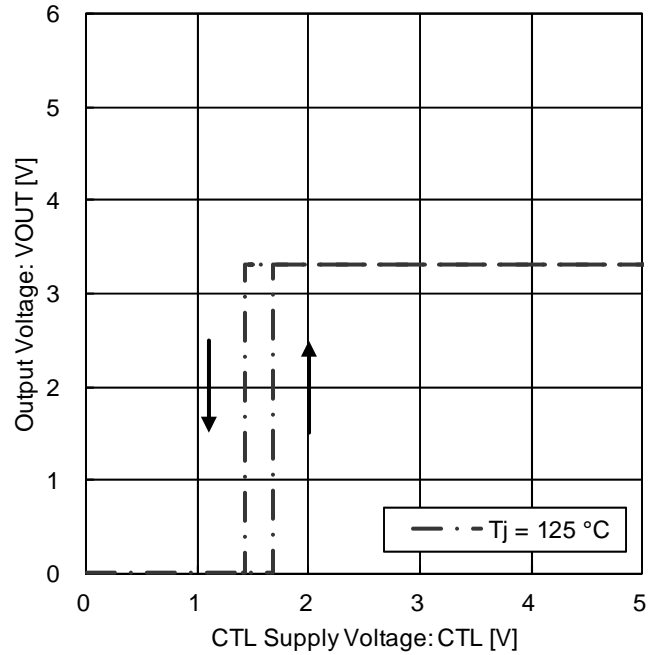


Figure 20. CTL ON / OFF Mode Voltage ($T_j = 125\text{ °C}$)

● Typical Performance Curves

■ BD433M5WFPJ-C / BD433M5WFP2-C Reference Data

Unless otherwise specified: $-40\text{ }^{\circ}\text{C} \leq T_j \leq +150\text{ }^{\circ}\text{C}$, $V_{CC} = 13.5\text{ V}$, $I_{OUT} = 0\text{ mA}$

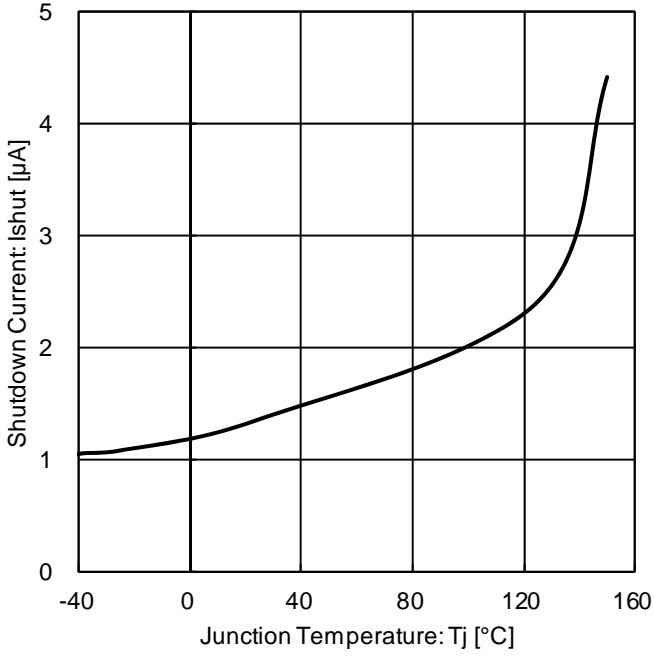


Figure 21. Shut Down Current (CTL = 0 V)

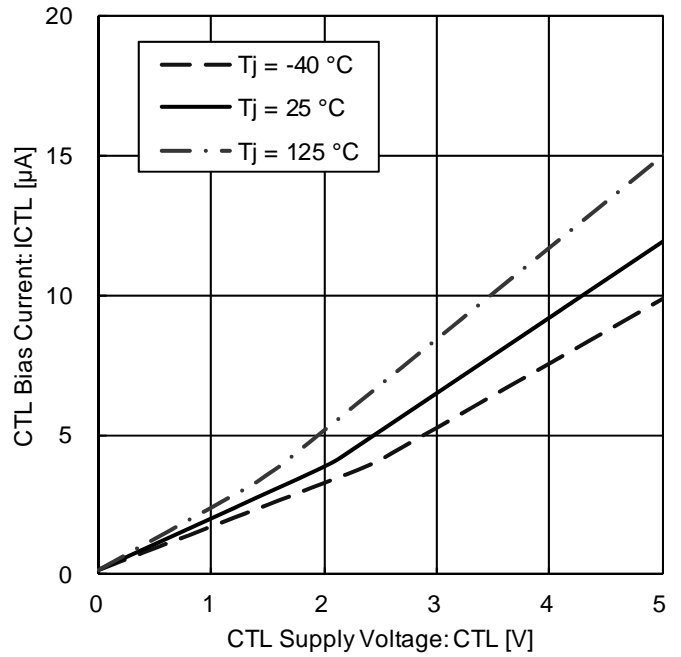


Figure 22. CTL Bias Current vs. CTL Supply Voltage

● Typical Performance Curves

■ BD450M5WFPJ-C / BD450M5WFP2-C / BD450M5FP-C / BD450M5FP2-C Reference Data

Unless otherwise specified: $-40\text{ °C} \leq T_j \leq +150\text{ °C}$, $V_{CC} = 13.5\text{ V}$, $CTL = 5\text{ V}^{(1)}$, $I_{OUT} = 0\text{ mA}$

(1) Applicable for Product with Enable Input.

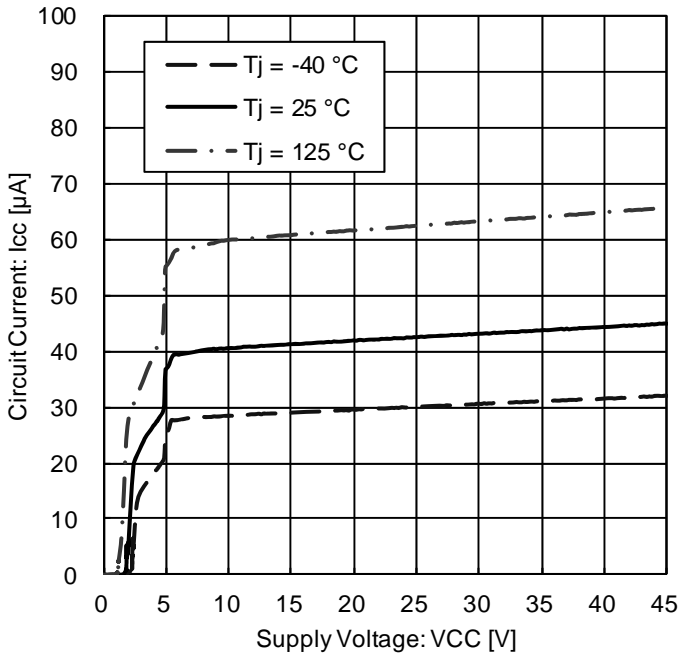


Figure 23. Circuit Current vs. Power Supply Voltage

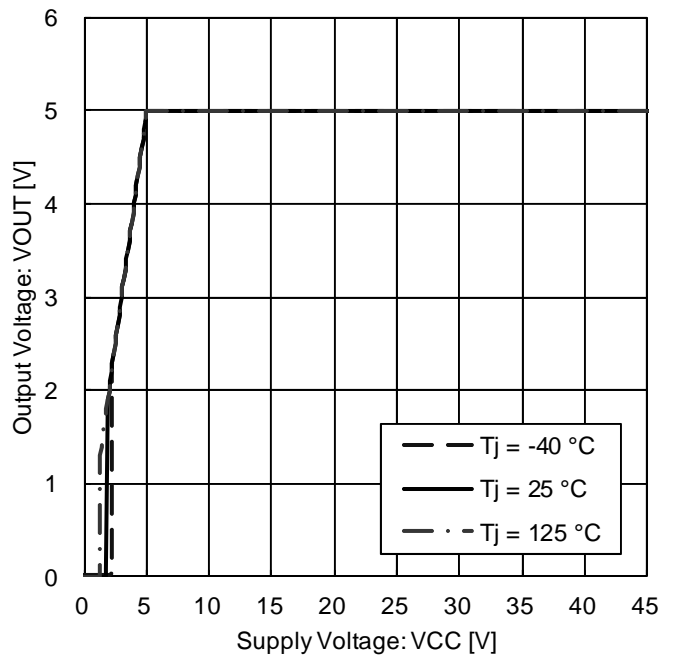


Figure 24. Output Voltage vs. Power Supply Voltage (IOUT = 0 mA)

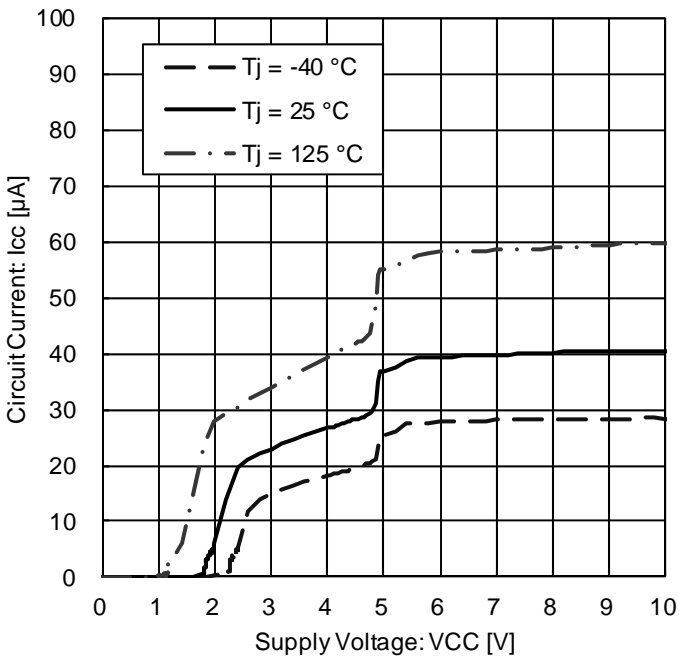


Figure 25. Circuit Current vs. Power Supply Voltage
*Magnified Figure 23. at low supply voltage

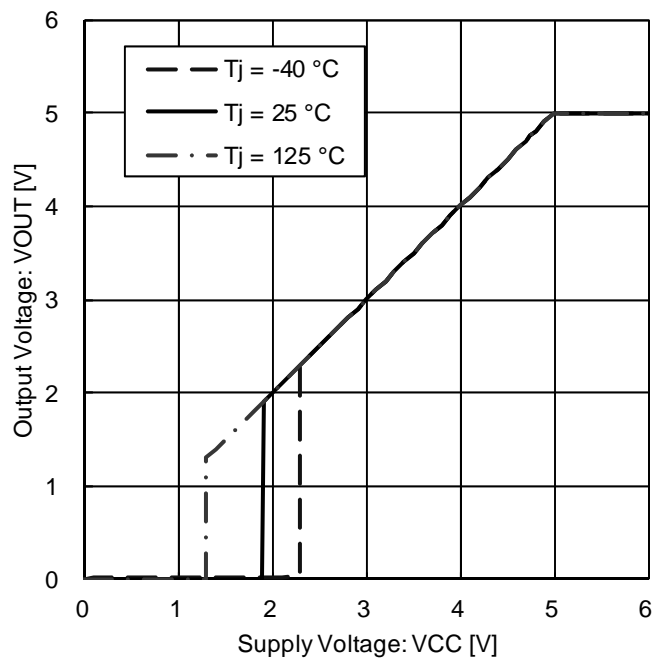


Figure 26. Output Voltage vs. Power Supply Voltage (IOUT = 0 mA)
*Magnified Figure 24. at low supply voltage

● Typical Performance Curves

■ BD450M5WFPJ-C / BD450M5WFP2-C / BD450M5FP-C / BD450M5FP2-C Reference Data

Unless otherwise specified: $-40\text{ °C} \leq T_j \leq +150\text{ °C}$, $V_{CC} = 13.5\text{ V}$, $CTL = 5\text{ V}^{(1)}$, $I_{OUT} = 0\text{ mA}$

(1) Applicable for Product with Enable Switch.

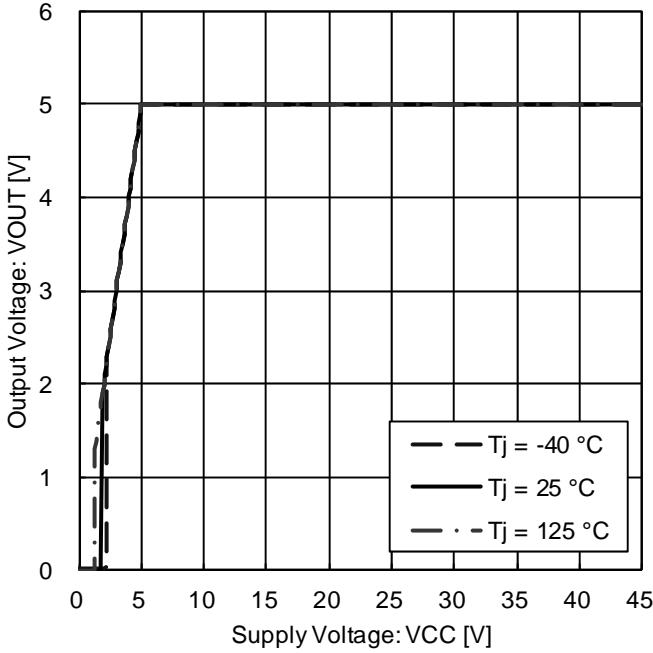


Figure 27. Output Voltage vs. Power Supply Voltage ($I_{OUT} = 10\text{ mA}$)

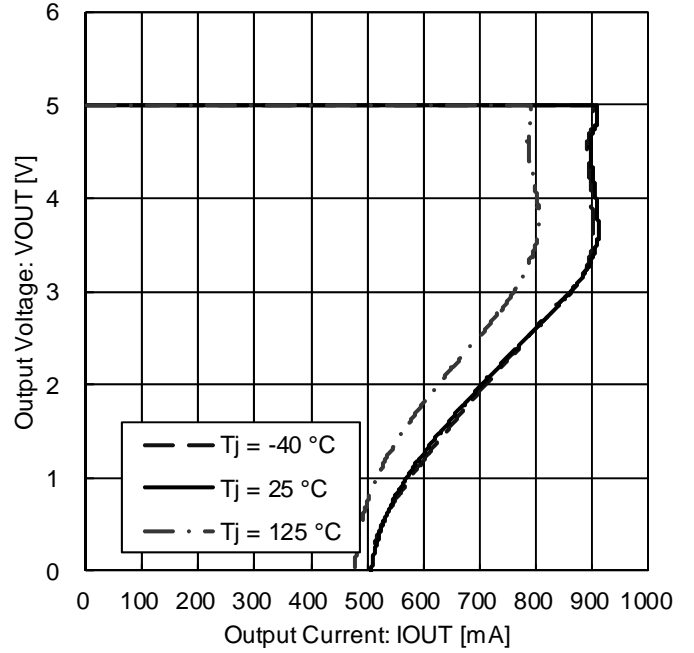


Figure 28. Output Voltage vs. Output Current (Over Current Protection)

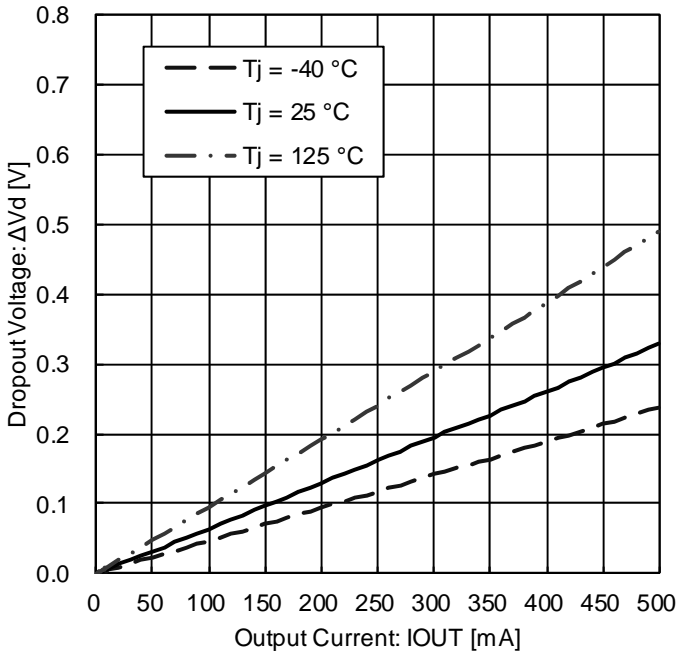


Figure 29. Dropout Voltage ($V_{CC}=4.75\text{ V}$)

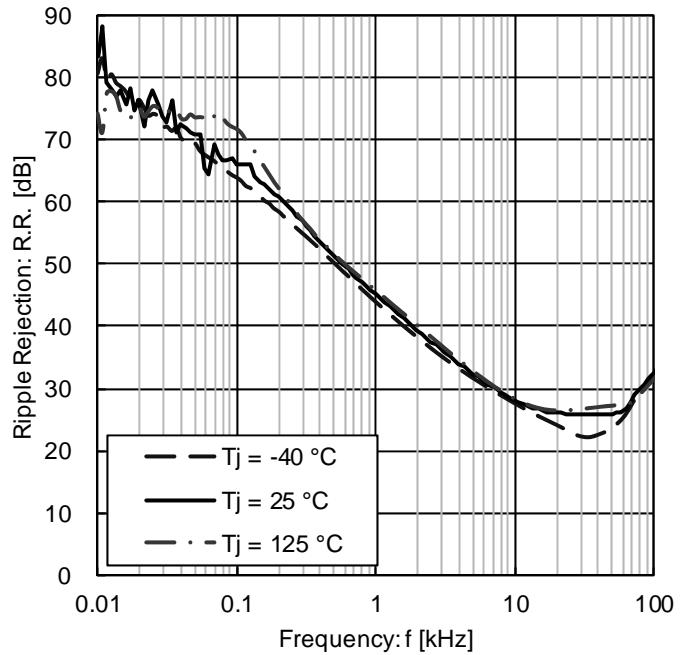


Figure 30. Ripple Rejection ($e_{in} = 1\text{ Vrms}$, $I_{OUT} = 100\text{ mA}$)

● Typical Performance Curves

■ BD450M5WFPJ-C / BD450M5WFP2-C / BD450M5WFP2-C / BD450M5FP-C / BD450M5FP2-C Reference Data

Unless otherwise specified: $-40\text{ °C} \leq T_j \leq +150\text{ °C}$, $V_{CC} = 13.5\text{ V}$, $CTL = 5\text{ V}^{(1)}$, $I_{OUT} = 0\text{ mA}$

(1) Applicable for Product with Enable Input.

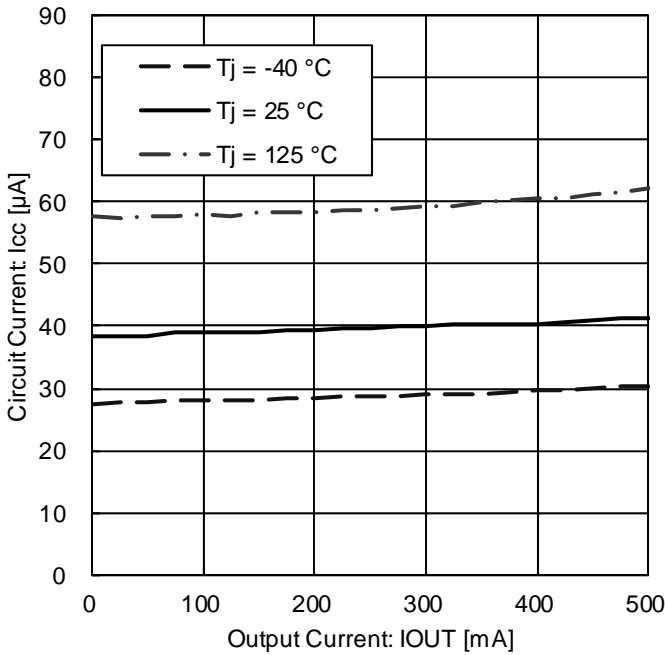


Figure 31. Circuit Current vs. Output Current

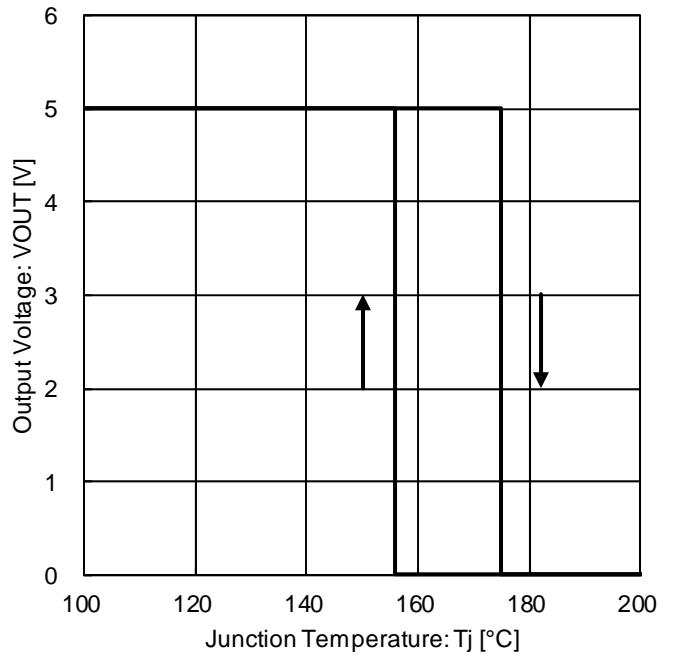


Figure 32. Output Voltage vs. Temperature (Thermal Shut Down)

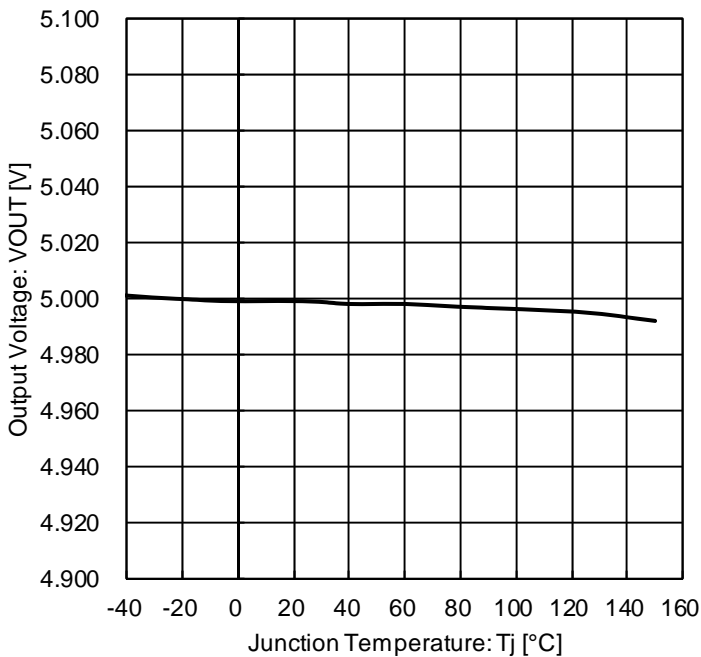


Figure 33. Output Voltage vs. Temperature

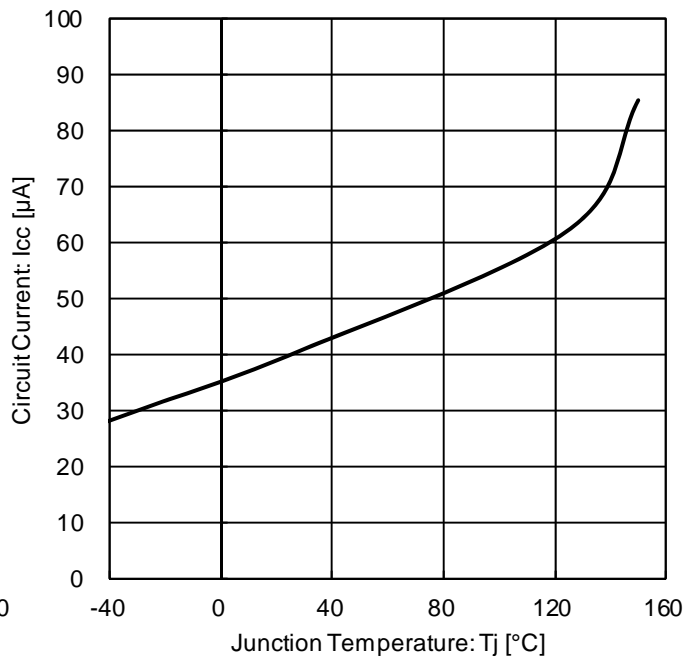


Figure 34. Circuit Current vs. Temperature

● Typical Performance Curves

■ BD450M5WFPJ-C / BD450M5WFP2-C Reference Data

Unless otherwise specified: $-40\text{ °C} \leq T_j \leq +150\text{ °C}$, $V_{CC} = 13.5\text{ V}$, $I_{OUT} = 0\text{ mA}$

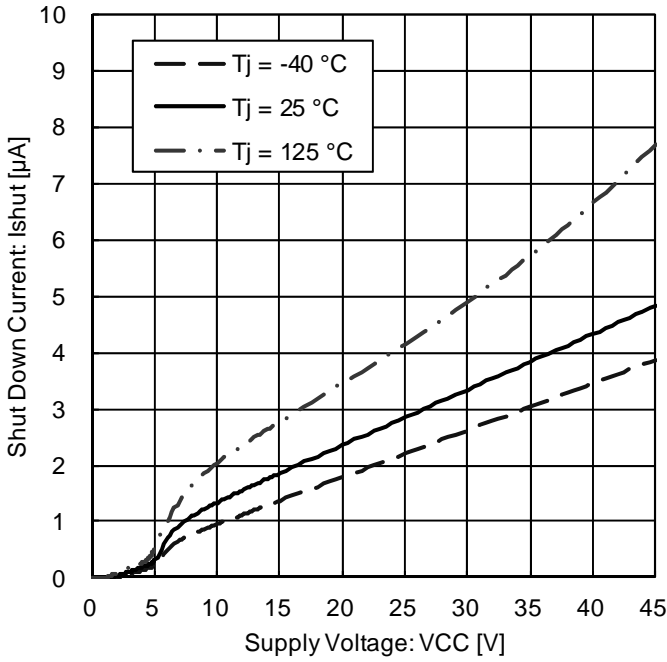


Figure 35. Shut Down Current vs. Power Supply Voltage (CTL = 0 V)

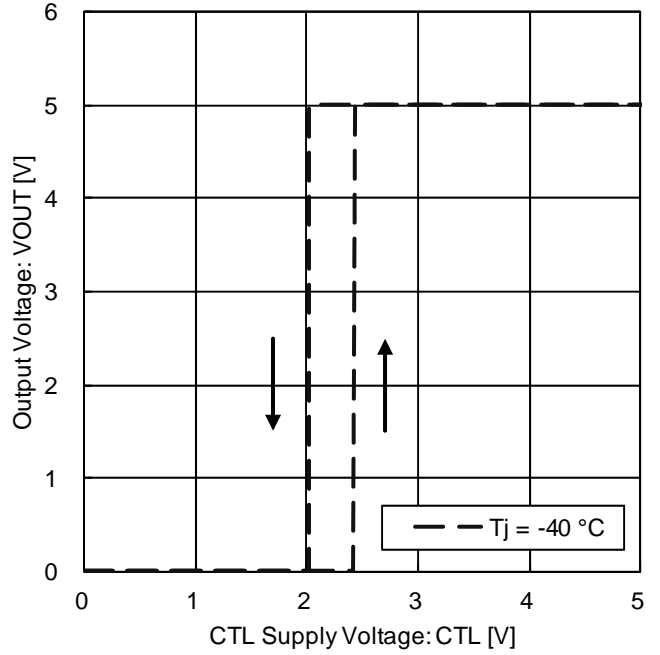


Figure 36. CTL ON / OFF Mode Voltage (Tj = -40 °C)

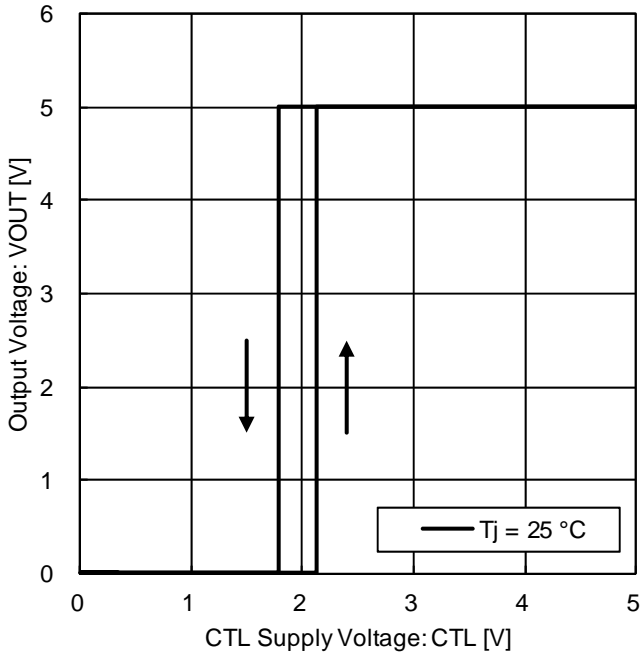


Figure 37. CTL ON / OFF Mode Voltage (Tj = 25 °C)

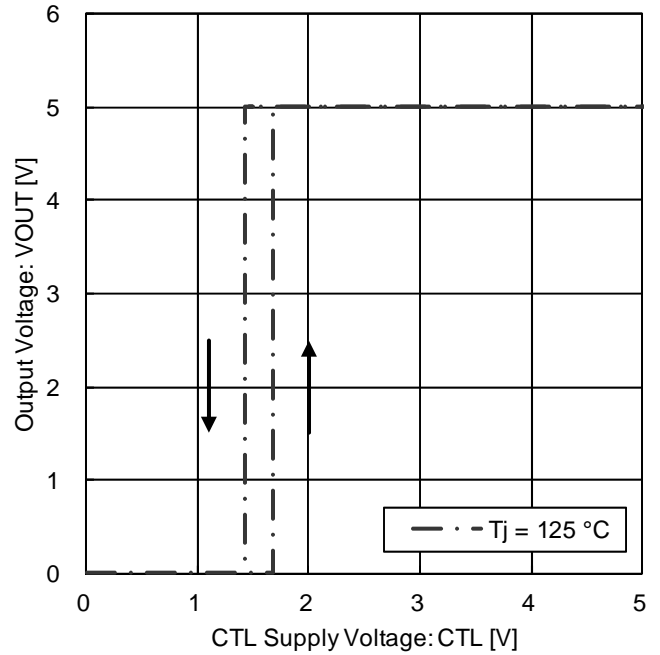


Figure 38. CTL ON / OFF Mode Voltage (Tj = 125 °C)

● Typical Performance Curves

■ BD450M5WFPJ-C / BD450M5WFP2-C Reference Data

Unless otherwise specified: $-40\text{ °C} \leq T_j \leq +150\text{ °C}$, $V_{CC} = 13.5\text{ V}$, $I_{OUT} = 0\text{ mA}$

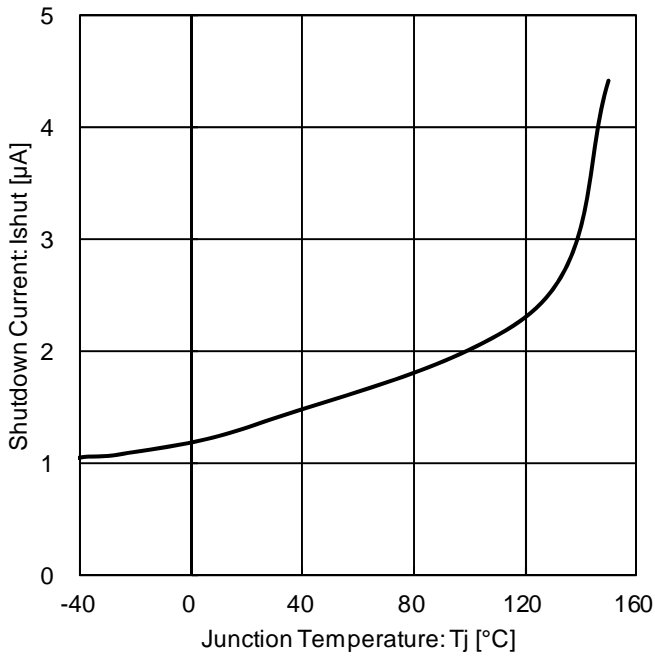


Figure 39. Shut Down Current vs. Temperature (CTL = 0 V)

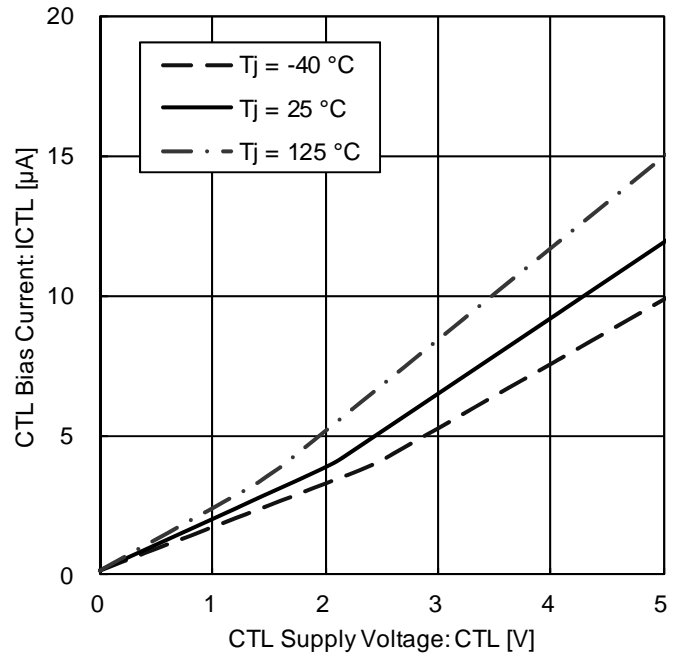
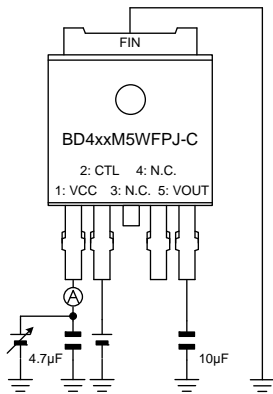
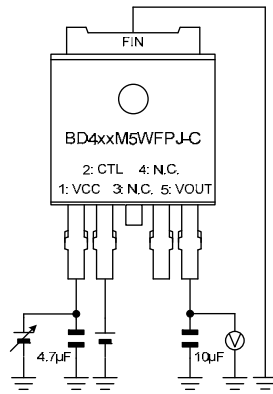


Figure 40. CTL Bias Current vs. CTL Supply Voltage

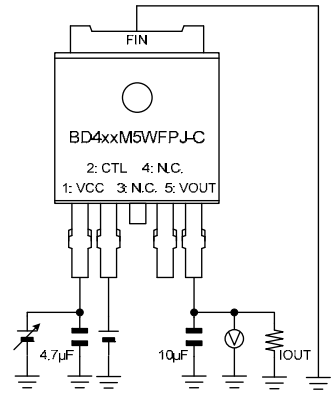
● Measurement Circuit for Typical Performance Curves (BD433 / 450M5WFPJ-C)



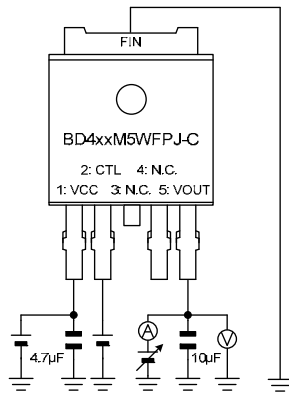
Measurement Setup for Figure 5, 7, 16, 17, 21, Figure 23, 25, 34, 35, 39



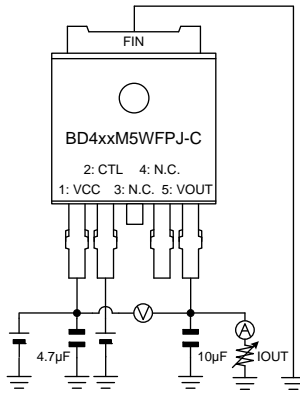
Measurement Setup for Figure 6, 8, 14, 15, Figure 24, 26, 32, 33



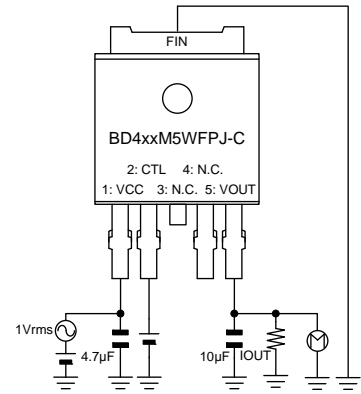
Measurement Setup for Figure 9, 27



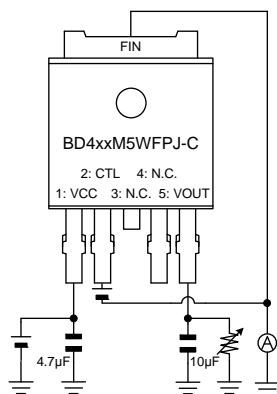
Measurement Setup for Figure 10, 28



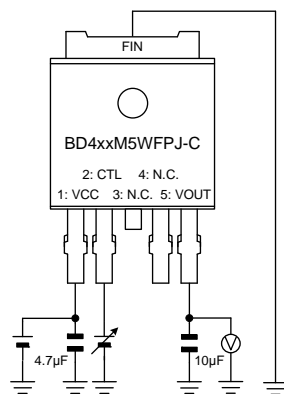
Measurement Setup for Figure 11, 29



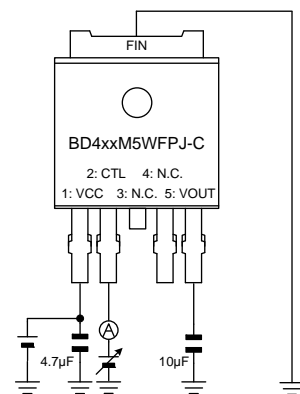
Measurement Setup for Figure 12, 30



Measurement Setup for Figure 13, 31

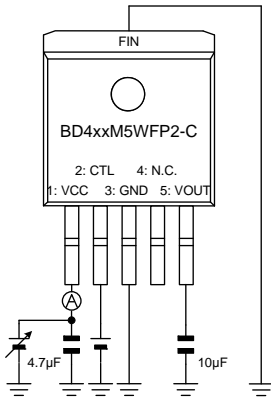


Measurement Setup for Figure 18, 19, 20, Figure 36, 37, 38

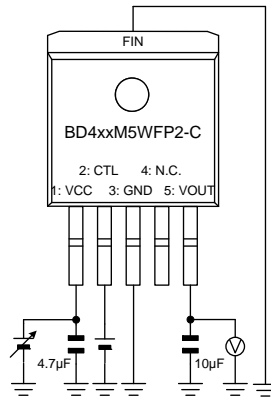


Measurement Setup for Figure 22, 40

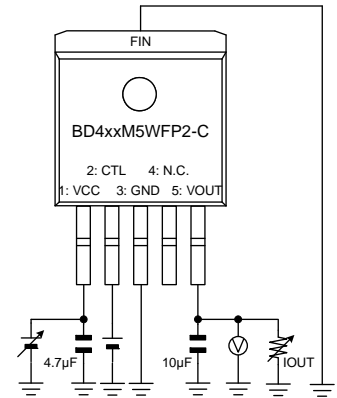
● Measurement Circuit for Typical Performance Curves (BD433 / 450M5WFP2-C)



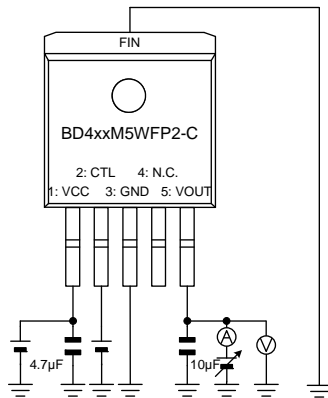
Measurement Setup for Figure 5, 7, 16, 17, 21, Figure 23, 25, 34, 35, 39



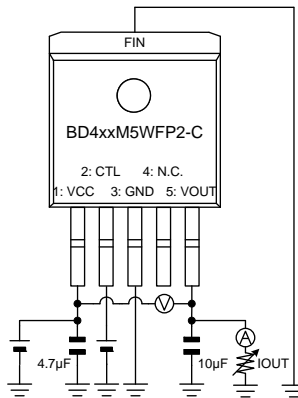
Measurement Setup for Figure 6, 8, 14, 15, Figure 24, 26, 32, 33



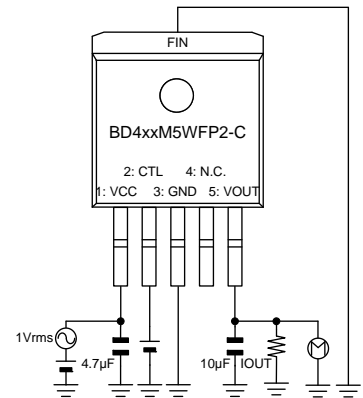
Measurement Setup for Figure 9, 27



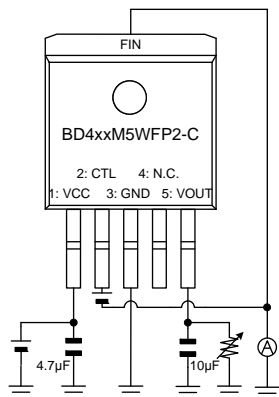
Measurement Setup for Figure 10, 28



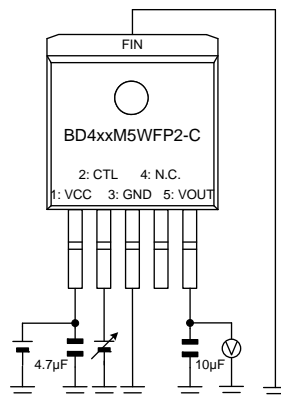
Measurement Setup for Figure 11, 29



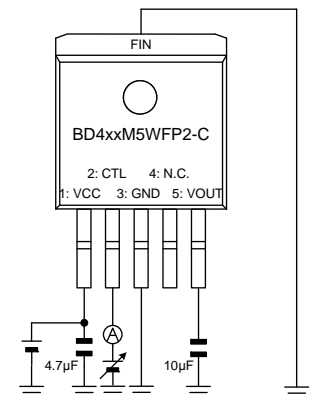
Measurement Setup for Figure 12, 30



Measurement Setup for Figure 13, 31

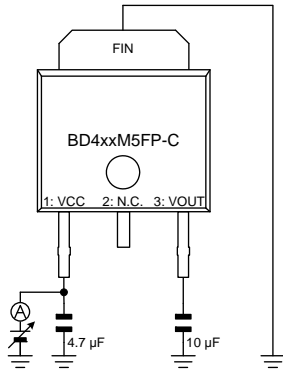


Measurement Setup for Figure 18, 19, 20, Figure 36, 37, 38

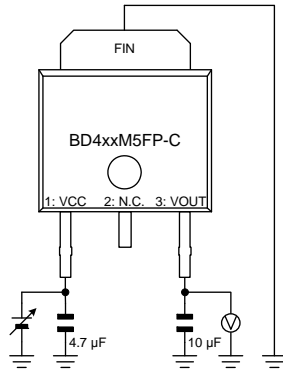


Measurement Setup for Figure 22, 40

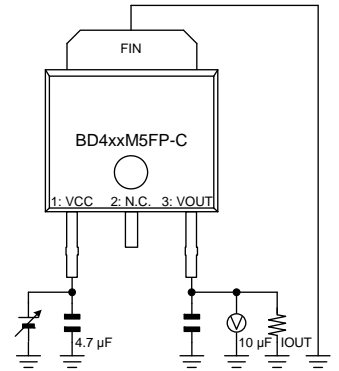
● Measurement Circuit for Typical Performance Curves (BD433 / 450M5FP-C)



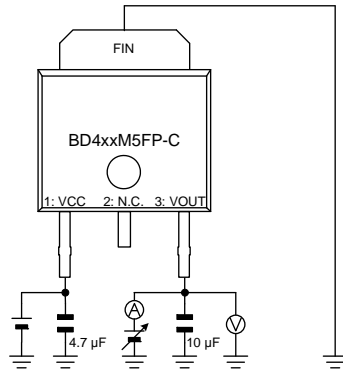
Measurement Setup for
Figure 5, 7, 16,
Figure 23, 25, 34



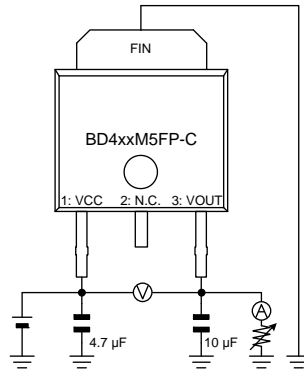
Measurement Setup for
Figure 6, 8, 14, 15,
Figure 24, 26, 32, 33



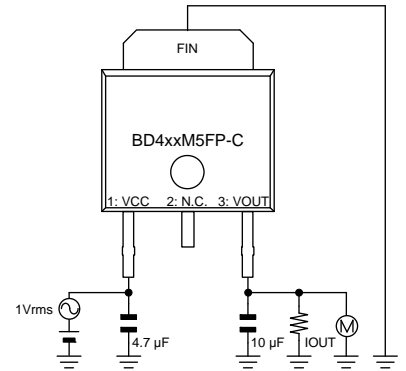
Measurement Setup for
Figure 9, 27



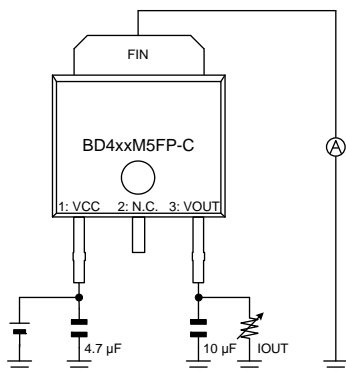
Measurement Setup for
Figure 10, 28



Measurement Setup for
Figure 11, 29

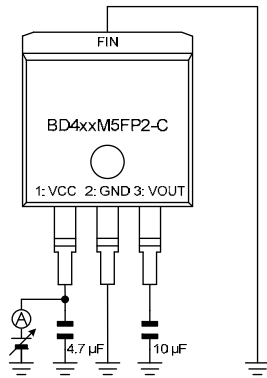


Measurement Setup for
Figure 12, 30

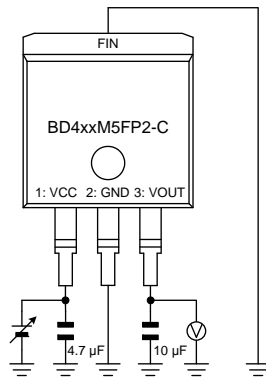


Measurement Setup for
Figure 13, 31

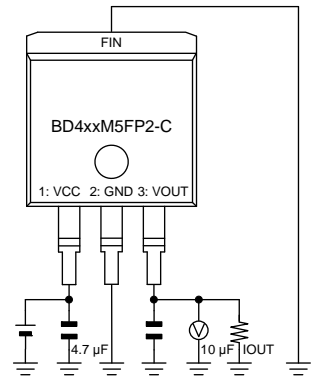
● Measurement Circuit for Typical Performance Curves (BD433 / 450M5FP2-C)



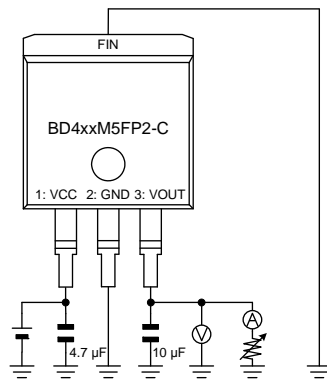
Measurement Setup for Figure 5, 7, 16, Figure 23, 25, 34



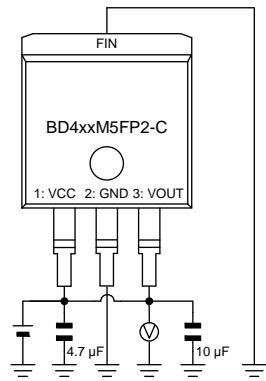
Measurement Setup for Figure 6, 8, 14, 15, Figure 24, 26, 32, 33



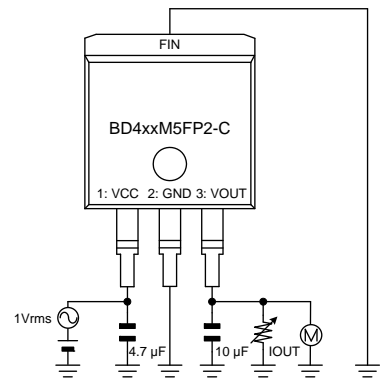
Measurement Setup for Figure 9, 27



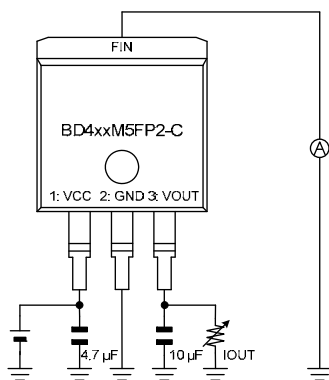
Measurement Setup for Figure 10, 28



Measurement Setup for Figure 11, 29



Measurement Setup for Figure 12, 30



Measurement Setup for Figure 13, 31

● Selection of Components Externally Connected

• VCC

Insert capacitors with a capacitance of 0.1 μF or higher between the VCC and the GND. Choose the capacitance according to the line between the power smoothing circuit and the VCC. Selection of the capacitance also depends on the application. Verify the application and allow sufficient margins in the design. We recommend using a capacitor with excellent voltage and temperature characteristics.

• Output Pin Capacitor

In order to prevent oscillation, a capacitor needs to be placed between the output pin and GND. We recommend using a capacitor with a capacitance of 10 μF (Typ.) or higher. Electrolytic, tantalum and ceramic capacitors can be used. When selecting the capacitor ensure that the capacitance of 6 μF or higher is maintained at the intended applied voltage and temperature range. Due to changes in temperature the capacitor's capacitance can fluctuate possibly resulting in oscillation. For selection of the capacitor refer to the data of Figure 41.

The stable operation range given in the data of Figure 41 and Figure 42 is based on the standalone IC and resistive load. For actual applications the stable operating range is influenced by the PCB impedance, input supply impedance and load impedance. Therefore verification of the final operating environment is needed.

When selecting a ceramic type capacitor, we recommend using X5R, X7R or better with excellent temperature and DC-biasing characteristics and high voltage tolerance.

Also, in case of rapidly changing input voltage and load current, select the capacitance in accordance with verifying that the actual application meets with the required specification.

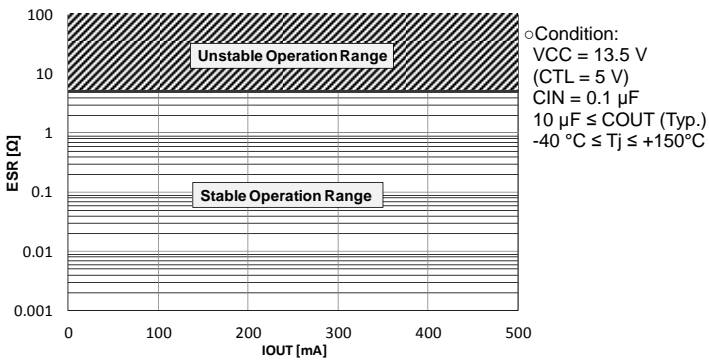


Figure 41. ESR vs. IOUT

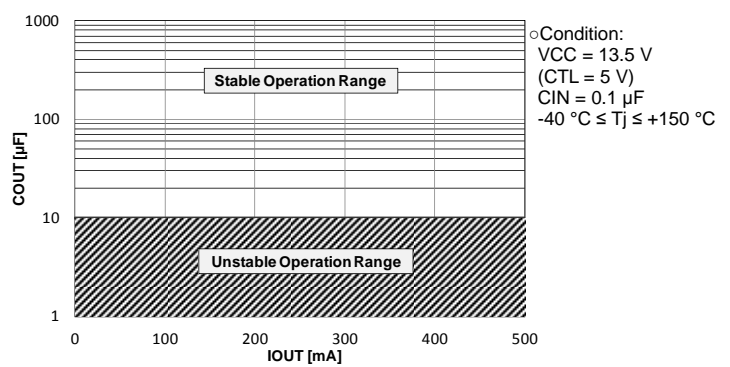


Figure 42. COUT vs. IOUT

● Measurement setup

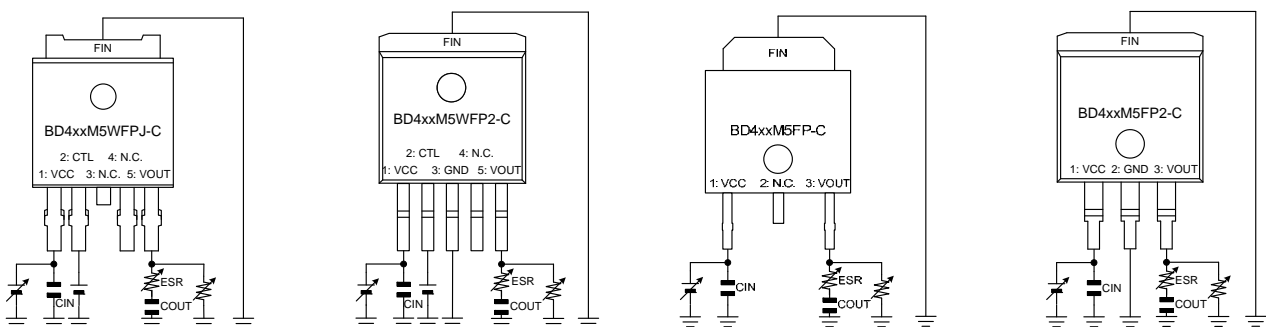
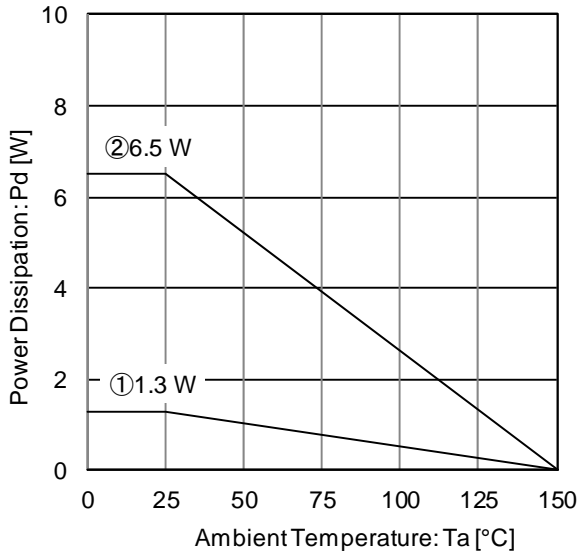


Figure 43. Measurement Setups for ESR Reference Data (about Output Pin Capacitor)

● Power Dissipation

■ TO252-J5F



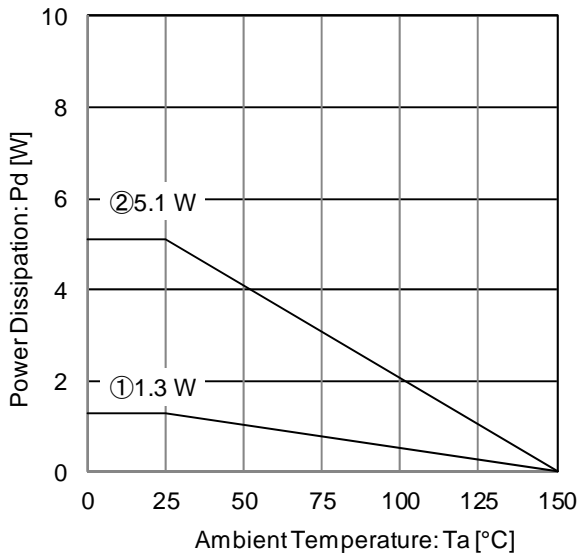
IC mounted on ROHM standard board based on JEDEC.
 Board material: FR4
 Board size: 114.3 mm x 76.2 mm x 1.6 mm
 (with thermal via on the board)
 Mount condition: PCB and exposed pad are soldered.
 Top copper foil: The footprint ROHM recommend.
 + wiring to measure.

- ①: 1-layer PCB
 (Copper foil area on the reverse side of PCB: 0 mm x 0 mm)
- ②: 4-layer PCB
 (2 inner layers and copper foil area on the reverse side of PCB:
 74.2 mm x 74.2 mm)

Condition①: $\theta_{ja} = 96.2 \text{ } ^\circ\text{C} / \text{W}$, $\theta_{jc} \text{ (top)} = 22 \text{ } ^\circ\text{C} / \text{W}$
 Condition②: $\theta_{ja} = 19.2 \text{ } ^\circ\text{C} / \text{W}$, $\theta_{jc} \text{ (top)} = 2 \text{ } ^\circ\text{C} / \text{W}$,
 $\theta_{jc} \text{ (bottom)} = 1 \text{ } ^\circ\text{C} / \text{W}$

Figure 44. Package Data (TO252-J5F)

■ TO252-3



IC mounted on ROHM standard board based on JEDEC.
 Board material: FR4
 Board size: 114.3mm x 76.2mm x 1.6 mm
 (with thermal via on the board)
 Mount condition: PCB and exposed pad are soldered.
 Top copper foil: The footprint ROHM recommend.
 + wiring to measure.

- ①: 1-layer PCB
 (Copper foil area on the reverse side of PCB: 0 mm x 0 mm)
- ②: 4-layer PCB
 (2 inner layers and copper foil area on the reverse side of PCB:
 74.2 mm x 74.2 mm)

Condition①: $\theta_{ja} = 96.2 \text{ } ^\circ\text{C} / \text{W}$, $\theta_{jc} \text{ (top)} = 22 \text{ } ^\circ\text{C} / \text{W}$
 Condition②: $\theta_{ja} = 24.5 \text{ } ^\circ\text{C} / \text{W}$, $\theta_{jc} \text{ (top)} = 5 \text{ } ^\circ\text{C} / \text{W}$,
 $\theta_{jc} \text{ (bottom)} = 3 \text{ } ^\circ\text{C} / \text{W}$

Figure 45. Package Data (TO252-3)

■ TO263-5F

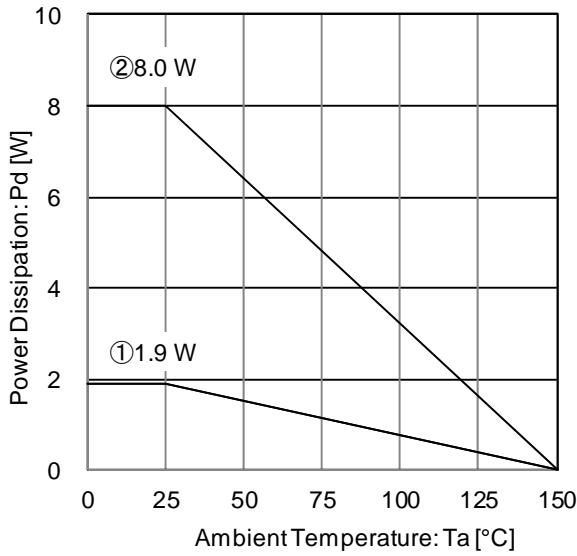


Figure 46. Package Data (TO263-5F)

IC mounted on ROHM standard board based on JEDEC.
 Board material: FR4
 Board size: 114.3 mm x 76.2 mm x 1.6 mm
 (with thermal via on the board)
 Mount condition: PCB and exposed pad are soldered.
 Top copper foil: The footprint ROHM recommend.
 + wiring to measure.

- ①: 1-layer PCB
 (Copper foil area on the reverse side of PCB: 0 mm x 0 mm)
- ②: 4-layer PCB
 (2 inner layers and copper foil area on the reverse side of PCB: 74.2 mm x 74.2 mm)

Condition①: $\theta_{ja} = 65.2 \text{ } ^\circ\text{C} / \text{W}$, $\theta_{jc}(\text{top}) = 19 \text{ } ^\circ\text{C} / \text{W}$
 Condition②: $\theta_{ja} = 15.6 \text{ } ^\circ\text{C} / \text{W}$, $\theta_{jc}(\text{top}) = 16 \text{ } ^\circ\text{C} / \text{W}$,
 $\theta_{jc}(\text{bottom}) = 1 \text{ } ^\circ\text{C} / \text{W}$

■ TO263-3F

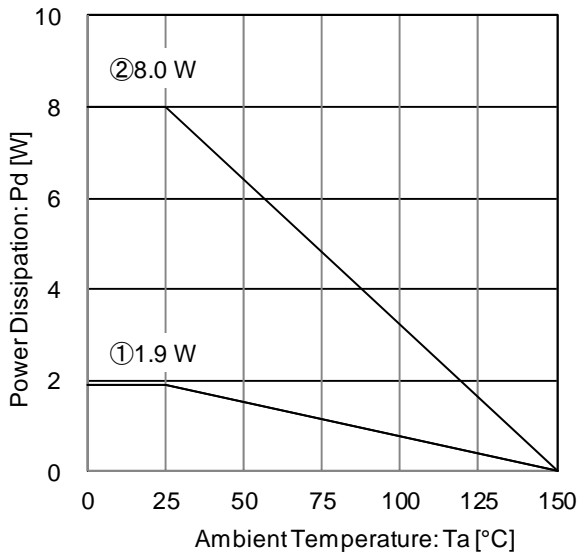


Figure 47. Package Data (TO263-3F)

IC mounted on ROHM standard board based on JEDEC.
 Board material: FR4
 Board size: 114.3 mm x 76.2 mm x 1.6 mm
 (with thermal via on the board)
 Mount condition: PCB and exposed pad are soldered.
 Top copper foil: The footprint ROHM recommend.
 + wiring to measure.

- ①: 1-layer PCB
 (Copper foil area on the reverse side of PCB: 0 mm x 0 mm)
- ②: 4-layer PCB
 (2 inner layers and copper foil area on the reverse side of PCB: 74.2 mm x 74.2 mm)

Condition①: $\theta_{ja} = 65.2 \text{ } ^\circ\text{C} / \text{W}$, $\theta_{jc}(\text{top}) = 19 \text{ } ^\circ\text{C} / \text{W}$
 Condition②: $\theta_{ja} = 15.6 \text{ } ^\circ\text{C} / \text{W}$, $\theta_{jc}(\text{top}) = 16 \text{ } ^\circ\text{C} / \text{W}$,
 $\theta_{jc}(\text{bottom}) = 1 \text{ } ^\circ\text{C} / \text{W}$

Refer to the heat mitigation characteristics illustrated in Figure 44, 45, 46, 47 when using the IC in an environment of $T_a \geq 25^\circ\text{C}$. The characteristics of the IC are greatly influenced by the operating temperature, and it is necessary to operate under the maximum junction temperature $T_{j\text{max}}$. Even if the ambient temperature T_a is at 25°C it is possible that the junction temperature T_j reaches high temperatures. Therefore, the IC should be operated within the power dissipation range.

The following method is used to calculate the power consumption P_c (W)

$$P_c = (V_{CC} - V_{OUT}) \times I_{OUT} + V_{CC} \times I_{CC}$$

Power dissipation $P_d \geq P_c$

V_{CC} : Input Voltage
 V_{OUT} : Output Voltage
 I_{OUT} : Load Current
 I_{CC} : Circuit Current
 P_c : Power Consumption

The load current I_{OUT} is obtained by operating the IC within the power dissipation range.

$$I_{OUT} \leq \frac{P_d - V_{CC} \times I_{CC}}{V_{CC} - V_{OUT}} \quad (\text{Refer to Figure 13, 31 for the } I_{CC}.)$$

Thus, the maximum load current $I_{OUT\text{max}}$ for the applied voltage V_{CC} can be calculated during the thermal design process. The following method is also used to calculate the junction temperature T_j .

$$T_j = P_c \times \theta_{jc} + T_c$$

T_a : Ambient Temperature
 T_c : Case Temperature
 T_j : Junction Temperature
 θ_{jc} : Thermal Resistance
 (Junction to Case)

TO252-J5F

■Calculation Example 1) with $T_a = 105^\circ\text{C}$, $V_{CC} = 13.5\text{ V}$, $V_{OUT} = 5.0\text{ V}$

$$I_{OUT} \leq \frac{2.34\text{ W} - 13.5\text{ V} \times I_{CC}}{8.5\text{ V}} \quad \left(\begin{array}{l} \text{IC stand alone } \theta_{ja} = 19.2^\circ\text{C/W} \rightarrow -52\text{ mW}/^\circ\text{C} \\ 25^\circ\text{C} = 6.5\text{ W} \rightarrow 105^\circ\text{C} = 2.34\text{ W} \end{array} \right)$$

$$I_{OUT} \leq 275\text{ mA} \quad (I_{CC}: 50\ \mu\text{A})$$

At $T_a = 105^\circ\text{C}$ with Figure 44 condition②, the calculation shows that 275 mA of output current is possible at 8.5 V potential difference across input and output.

■Calculation Example 2) with T_c (bottom) = 125°C , $V_{CC} = 13.5\text{ V}$, $V_{OUT} = 5.0\text{ V}$, $I_{OUT} = 200\text{ mA}$

At $T_c(\text{bottom}) = 125^\circ\text{C}$ with Figure 44 condition②, the power consumption P_c of the IC can be calculated as follows:

$$P_c = (V_{CC} - V_{OUT}) \times I_{OUT} + V_{CC} \times I_{CC}$$

$$P_c = (13.5\text{ V} - 5.0\text{ V}) \times 200\text{ mA} + 13.5\text{ V} \times I_{CC}$$

$$P_c = 1.70\text{ W} \quad (I_{CC} = 50\ \mu\text{A})$$

At the power consumption P_c is 1.70 W, the junction temperature T_j can be calculated as follows:

$$T_j = P_c \times \theta_{jc} + T_c$$

$$T_j = 1.70\text{ W} \times \theta_{jc} + 125^\circ\text{C}$$

$$T_j = 126.7^\circ\text{C} \quad (\theta_{jc}(\text{bottom}) = 1^\circ\text{C/W})$$

The junction temperature is 126.7°C , at above condition.

TO252-3

- Calculation Example 1) with $T_a = 105\text{ }^\circ\text{C}$, $V_{CC} = 13.5\text{ V}$, $V_{OUT} = 5.0\text{ V}$

$$I_{OUT} \leq \frac{1.84\text{ W} - 13.5\text{ V} \times I_{CC}}{8.5\text{ V}} \quad \left(\begin{array}{l} \text{IC stand alone } \theta_{ja} = 24.5\text{ }^\circ\text{C} / \text{W} \rightarrow -41\text{ mW} / ^\circ\text{C} \\ 25\text{ }^\circ\text{C} = 5.1\text{ W} \rightarrow 105\text{ }^\circ\text{C} = 1.84\text{ W} \end{array} \right)$$

$$I_{OUT} \leq 215\text{ mA} \quad (I_{CC} = 50\text{ }\mu\text{A})$$

At $T_a = 105\text{ }^\circ\text{C}$ with Figure 44 condition②, the calculation shows that 215 mA of output current is possible at 8.5 V potential difference across input and output.

- Calculation Example 2) with T_c (bottom) = $125\text{ }^\circ\text{C}$, $V_{CC} = 13.5\text{ V}$, $V_{OUT} = 5.0\text{ V}$, $I_{OUT} = 200\text{ mA}$

At T_c (bottom) = $125\text{ }^\circ\text{C}$ with Figure 44 condition②, the power consumption P_c of the IC can be calculated as follows:

$$P_c = (V_{CC} - V_{OUT}) \times I_{OUT} + V_{CC} \times I_{CC}$$

$$P_c = (13.5\text{ V} - 5.0\text{ V}) \times 200\text{ mA} + 13.5\text{ V} \times I_{CC}$$

$$P_c = 1.70\text{ W} \quad (I_{CC} = 50\text{ }\mu\text{A})$$

At the power consumption P_c is 1.70 W, the junction temperature T_j can be calculated as follows:

$$T_j = P_c \times \theta_{jc} + T_c$$

$$T_j = 1.70\text{ W} \times \theta_{jc} + 125\text{ }^\circ\text{C}$$

$$T_j = 130.1\text{ }^\circ\text{C} \quad (\theta_{jc} \text{ (bottom)} = 3\text{ }^\circ\text{C} / \text{W})$$

The junction temperature is $130.1\text{ }^\circ\text{C}$, at above condition.

TO263-5F / TO263-3F

- Calculation Example 1) with $T_a = 105\text{ }^\circ\text{C}$, $V_{CC} = 13.5\text{ V}$, $V_{OUT} = 5.0\text{ V}$

$$I_{OUT} \leq \frac{2.88\text{ W} - 13.5\text{ V} \times I_{CC}}{8.5\text{ V}} \quad \left(\begin{array}{l} \text{IC stand alone } \theta_{ja} = 15.6\text{ }^\circ\text{C} / \text{W} \rightarrow -64\text{ mW} / ^\circ\text{C} \\ 25\text{ }^\circ\text{C} = 8.0\text{ W} \rightarrow 105\text{ }^\circ\text{C} = 2.88\text{ W} \end{array} \right)$$

$$I_{OUT} \leq 338\text{ mA} \quad (I_{CC} = 50\text{ }\mu\text{A})$$

At $T_a = 105\text{ }^\circ\text{C}$ with Figure 44 condition②, the calculation shows that 338 mA of output current is possible at 8.5 V potential difference across input and output.

- Calculation Example 2) with T_c (bottom) = $125\text{ }^\circ\text{C}$, $V_{CC} = 13.5\text{ V}$, $V_{OUT} = 5.0\text{ V}$, $I_{OUT} = 300\text{ mA}$

At T_c (bottom) = $125\text{ }^\circ\text{C}$ with Figure 44 condition②, the power consumption P_c of the IC can be calculated as follows:

$$P_c = (V_{CC} - V_{OUT}) \times I_{OUT} + V_{CC} \times I_{CC}$$

$$P_c = (13.5\text{ V} - 5.0\text{ V}) \times 300\text{ mA} + 13.5\text{ V} \times I_{CC}$$

$$P_c = 2.55\text{ W} \quad (I_{CC} = 50\text{ }\mu\text{A})$$

At the power consumption P_c is 2.55 W, the junction temperature T_j can be calculated as follows:

$$T_j = P_c \times \theta_{jc} + T_c$$

$$T_j = 2.55\text{ W} \times \theta_{jc} + 125\text{ }^\circ\text{C}$$

$$T_j = 127.6\text{ }^\circ\text{C} \quad (\theta_{jc} \text{ (bottom)} = 1\text{ }^\circ\text{C} / \text{W})$$

The junction temperature is $127.6\text{ }^\circ\text{C}$, at above condition.

The thermal calculation shown above should be taken into consideration during the thermal design in order to keep the whole operating temperature range within $T_j \leq 150\text{ }^\circ\text{C}$.

● Application Examples

- Applying positive surge to the VCC

If the possibility exists that surges higher than 45 V will be applied to the VCC, a Zener Diode should be placed between the VCC and the GND as shown in the figure below.

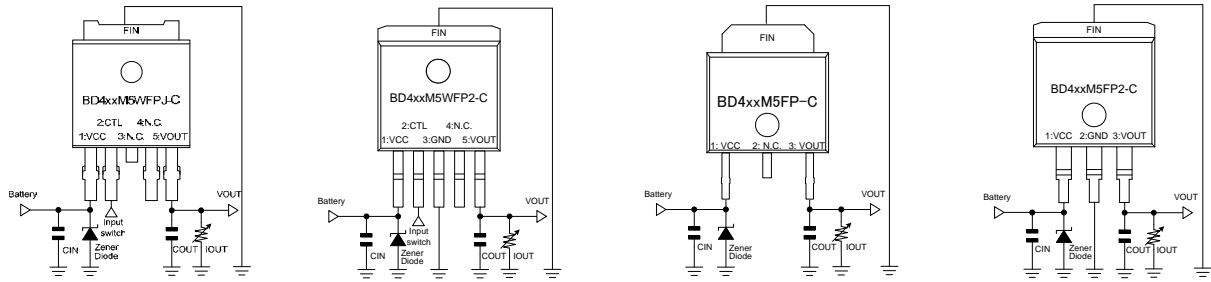


Figure 48. Sample Application Circuit 1

- Applying negative surge to the VCC

If the possibility exists that negative surges lower than the GND are applied to the VCC, a Schottky Diode should be placed between the VCC and the pin as shown in the figure below.

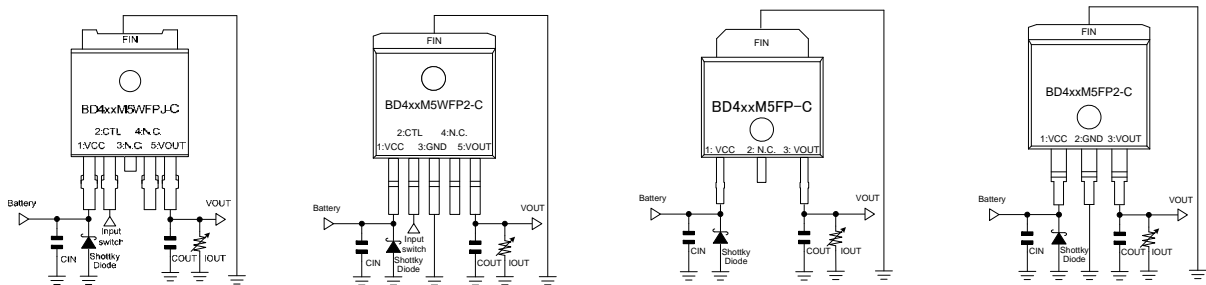


Figure 49. Sample Application Circuit 2

- Implementing a Protection Diode

If the possibility exists that a large inductive load is connected to the output pin resulting in back-EMF at time of startup and shutdown, a protection diode should be placed as shown in the figure below.

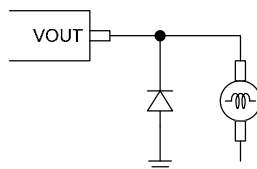


Figure 50. Sample Application Circuit 3

● I/O Equivalence Circuit

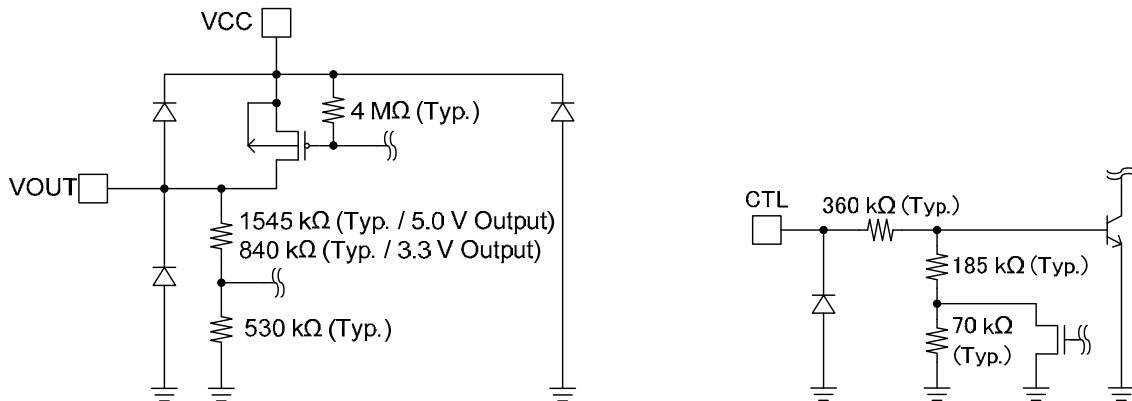


Figure 51. Input / Output Equivalence Circuit

●Operational Notes

- 1) Absolute Maximum Ratings
Exceeding the absolute maximum rating for supply voltage, operating temperature or other parameters can result in damages to or destruction of the chip. In this event it also becomes impossible to determine the cause of the damage (e.g. short circuit, open circuit, etc.). Therefore, if any special mode is being considered with values expected to exceed the absolute maximum ratings, implementing physical safety measures, such as adding fuses, should be considered.
- 2) The electrical characteristics given in this specification may be influenced by conditions such as temperature, supply voltage and external components. Transient characteristics should be sufficiently verified.
- 3) GND Electric Potential
Keep the GND potential at the lowest (minimum) level under any operating condition. Furthermore, ensure that, including the transient, none of the pin's voltage is less than the GND voltage.
- 4) GND Wiring Pattern
When both a small-signal GND and a high current GND are present, single-point grounding (at the set standard point) is recommended. This in order to separate the small-signal and high current patterns and to ensure that voltage changes stemming from the wiring resistance and high current do not cause any voltage change in the small-signal GND. Similarly, care must be taken to avoid wiring pattern fluctuations in any connected external component GND.
- 5) CTL
Do not make voltage level of chip enable keep floating level, or in between V_{thH} and V_{thL} . Otherwise, the output voltage would be unstable or indefinite.
- 6) Inter-pin Shorting and Mounting Errors
Ensure that when mounting the IC on the PCB the direction and position are correct. Incorrect mounting may result in damaging the IC. Also, shorts caused by dust entering between the output, input and the GND may result in damaging the IC.
- 7) Inspection Using the Set Board
The IC needs to be discharged after each inspection process as, while using the set board for inspection, connecting a capacitor to a low-impedance pin may cause stress to the IC. As a protection from static electricity, ensure that the assembly setup is grounded and take sufficient caution with transportation and storage. Also, make sure to turn off the power supply when connecting and disconnecting the inspection equipment.
- 8) Thermal Design
The power dissipation under actual operating conditions should be taken into consideration and a sufficient margin should be allowed for in the thermal design. On the reverse side of the package this product has an exposed heat pad for improving the heat dissipation. Use both the front and reverse side of the PCB to increase the heat dissipation pattern as far as possible. The amount of heat generated depends on the voltage difference across the input and output, load current, and bias current. Therefore, when actually using the chip, ensure that the generated heat does not exceed the Pd rating.
Should by any chance the power dissipation rating be exceeded the rise in temperature of the chip may result in deterioration of the properties of the chip. The absolute maximum rating of the Pd stated in this specification is when the IC is mounted on a 114.3mm × 76.2mm × 1.6mm glass epoxy board. In case of exceeding this absolute maximum rating, increase the board size and copper area to prevent exceeding the Pd rating.
- 9) Overcurrent Protection Circuit
This IC incorporates an integrated overcurrent protection circuit that is activated when the load is shorted. This protection circuit is effective in preventing damage due to sudden and unexpected incidents. However, the IC should not be used in applications characterized by continuous operation or transitioning of the protection circuit.
- 10) Thermal Shut Down (TSD)
This IC incorporates an integrated thermal shutdown circuit to prevent heat damage to the IC. Normal operation should be within the power dissipation rating, if however the rating is exceeded for a continued period, the junction temperature (T_j) will rise and the TSD circuit will be activated and turn all output pins OFF. After the T_j falls below the TSD threshold the circuits are automatically restored to normal operation.
Note that the TSD circuit operates in a situation that exceeds the absolute maximum ratings and therefore, under no circumstances, should the TSD circuit be used in a set design or for any purpose other than protecting the IC from heat damage.

- 11) In some applications, the VCC and the VOUT potential might be reversed, possibly resulting in circuit internal damage or damage to the elements. For example, the accumulated charge in the output pin capacitor flow backward from the VOUT to the VCC when the VCC shorts to the GND. Use a capacitor with a capacitance with less than 1000 μF for reducing the damage. We also recommend using reverse polarity diodes in series between the VCC and the GND or a bypass diode between the VCC and the VOUT.

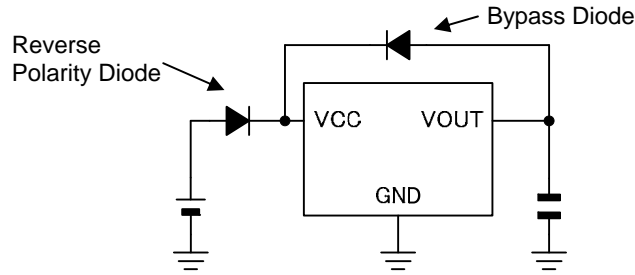


Figure 52. Recommend Example of Using Diodes

- 12) This monolithic IC contains P+ isolation and P substrate layers between adjacent elements in order to keep them isolated. P/N junctions are formed at the intersection of these P layers with the N layers of other elements to create a variety of parasitic elements.

For example, in case a resistor and a transistor are connected to the pins as shown in the figure below then:

- The P/N junction functions as a parasitic diode when the GND > pin A for the resistor, or the GND > pin B for the transistor.
- Also, when the GND > pin B for the transistor (NPN), the parasitic diode described above combines with the N layer of the other adjacent elements to operate as a parasitic NPN transistor.

Parasitic diodes inevitably occur in the structure of the IC. Their operation can result in mutual interference between circuits and can cause malfunctions and, in turn, physical damage to or destruction of the chip. Therefore do not employ any method in which parasitic diodes can operate such as applying a voltage to an input pin that is lower than the (P substrate) GND.

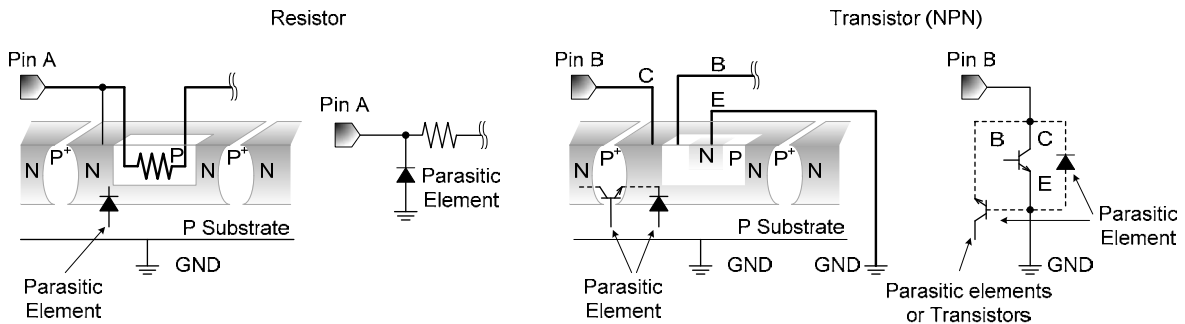
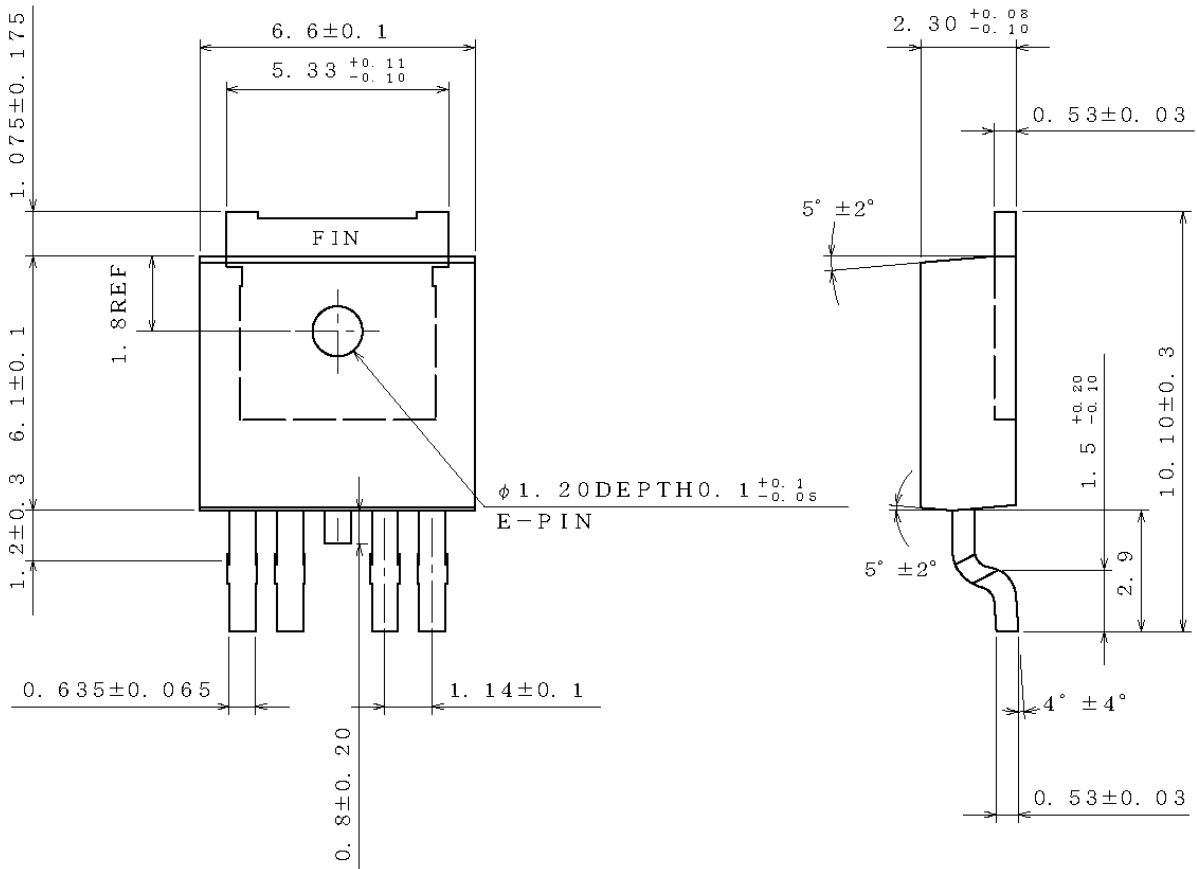


Figure 53. Example of parasitic element device

●Physical Dimension, Tape and Reel Information

| | |
|--------------|-----------|
| Package Name | TO252-J5F |
|--------------|-----------|



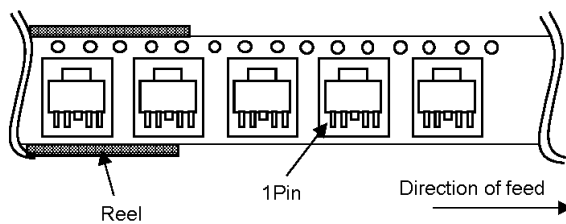
(UNIT : mm)

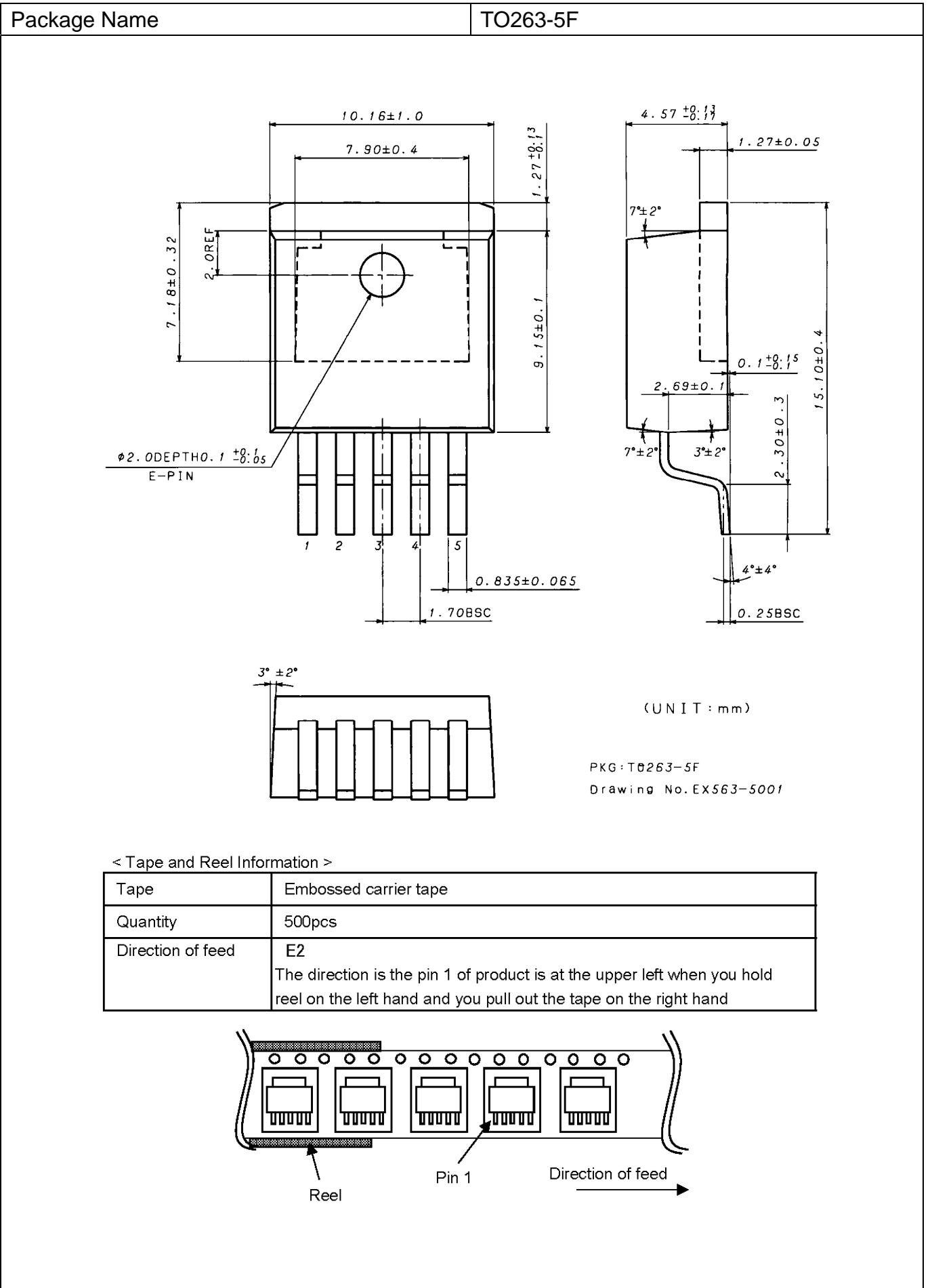
PKG : TO252-J5F

Drawing No. EX567-5001

< Tape and Reel Information >

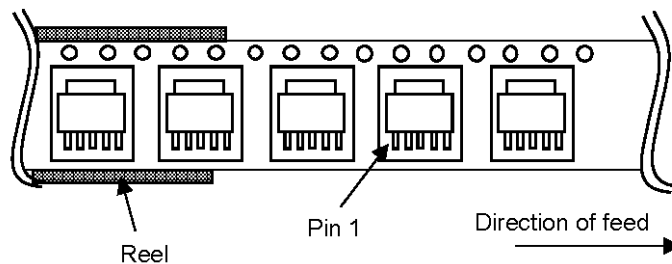
| | |
|-------------------|---|
| Tape | Embossed carrier tape |
| Quantity | 2000pcs |
| Direction of feed | E2 (The direction is the 1pin of product is at the lower left when you hold reel on the left hand and you pull out the tape on the right hand) |



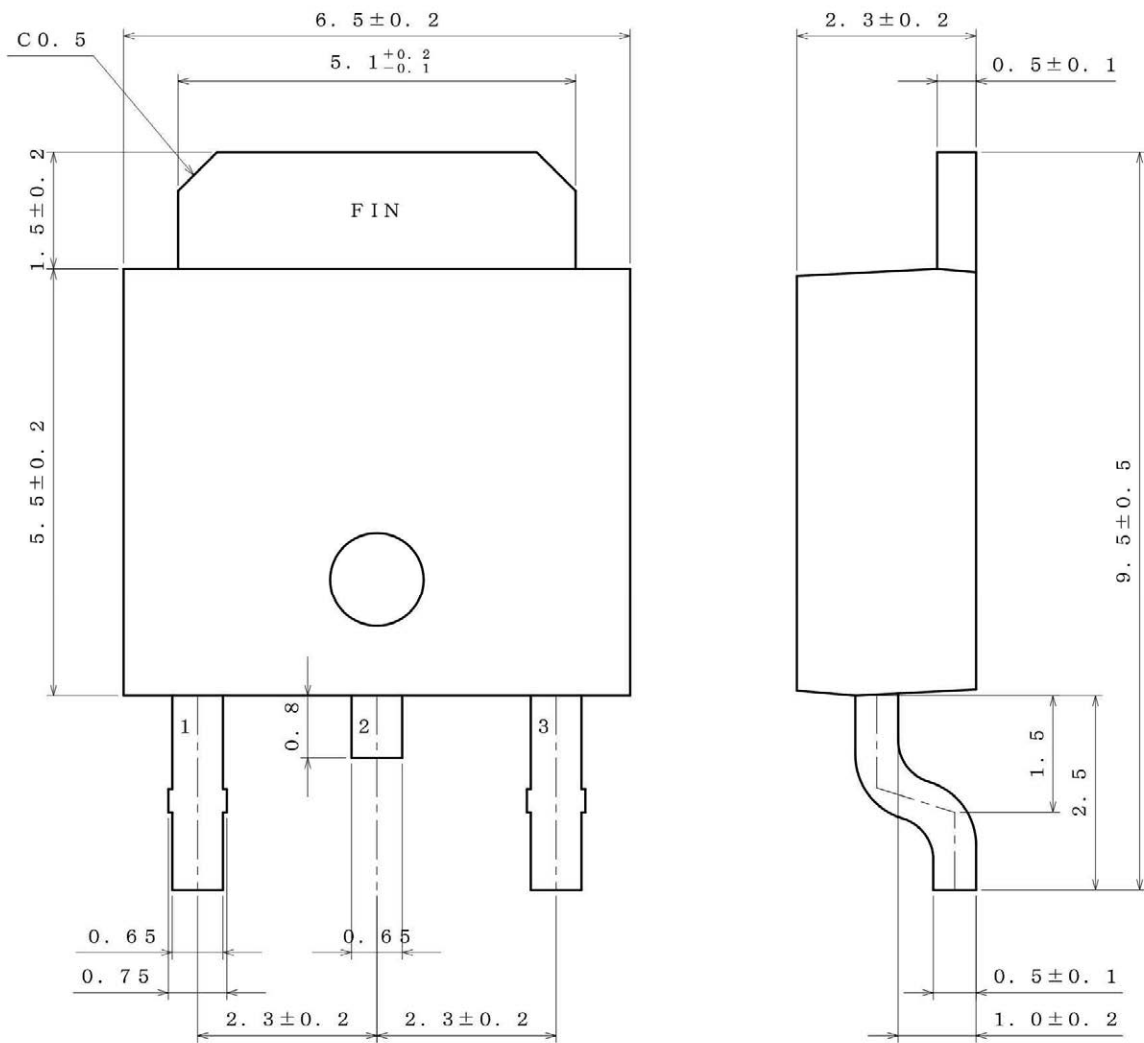


< Tape and Reel Information >

| | |
|-------------------|--|
| Tape | Embossed carrier tape |
| Quantity | 500pcs |
| Direction of feed | E2 The direction is the pin 1 of product is at the upper left when you hold reel on the left hand and you pull out the tape on the right hand |



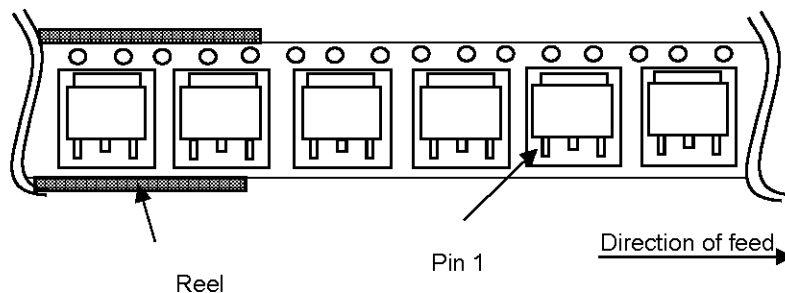
| | |
|--------------|---------|
| Package Name | TO252-3 |
|--------------|---------|

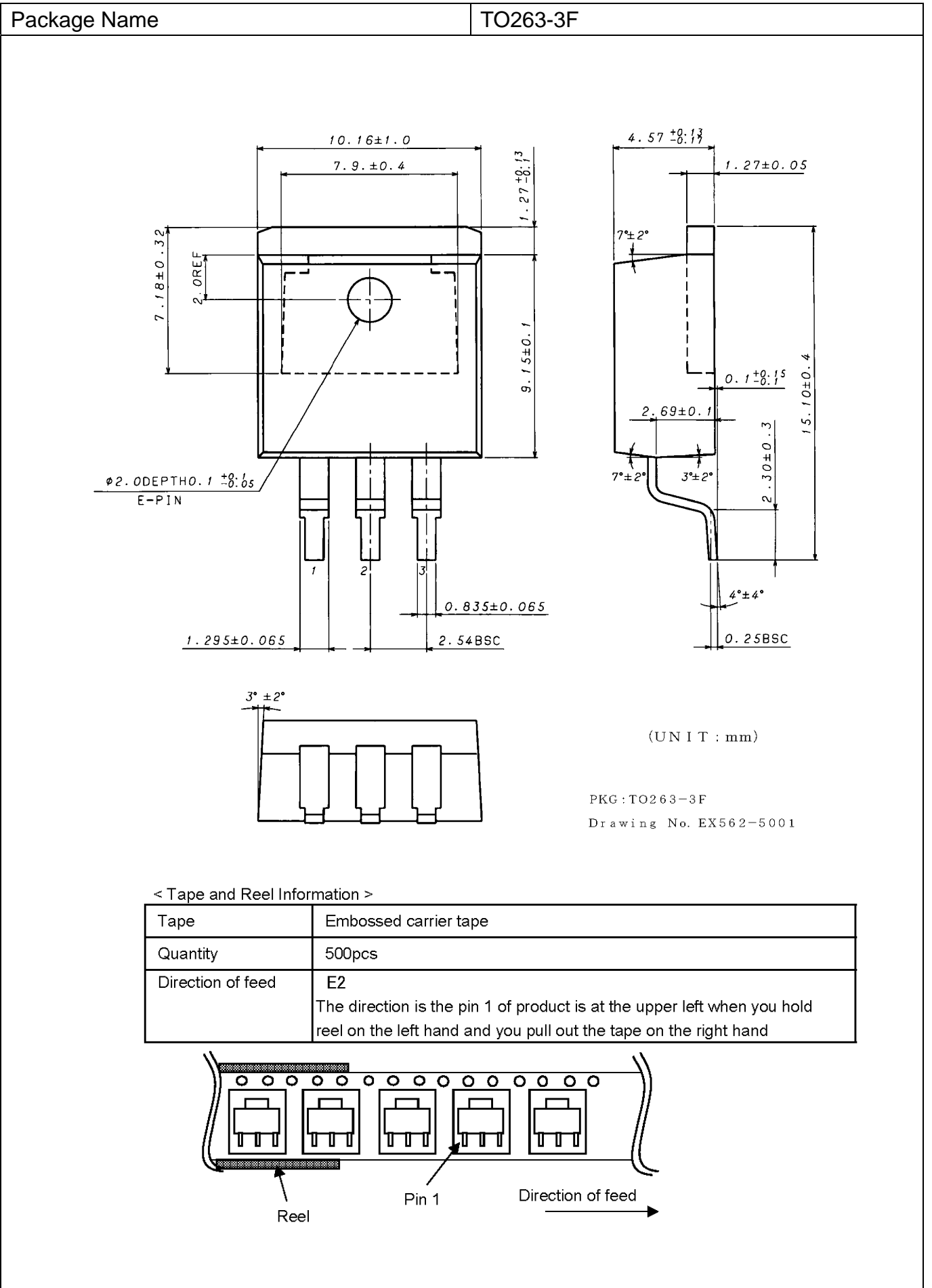


(UNITS ; mm)
 PKG : TO252-3
 Drawing No. EX535-5001-1

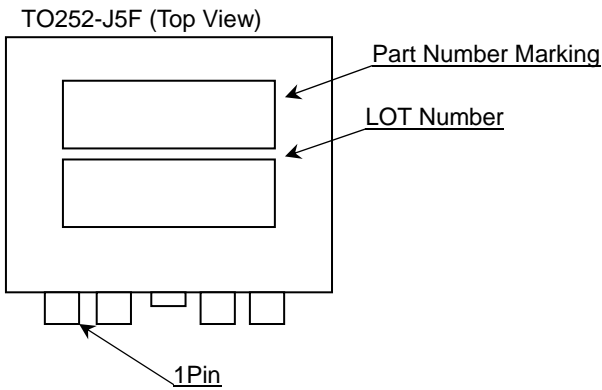
< Tape and Reel Information >

| | |
|-------------------|--|
| Tape | Embossed carrier tape |
| Quantity | 2000pcs |
| Direction of feed | E2 The direction is the pin 1 of product is at the upper left when you hold reel on the left hand and you pull out the tape on the right hand |



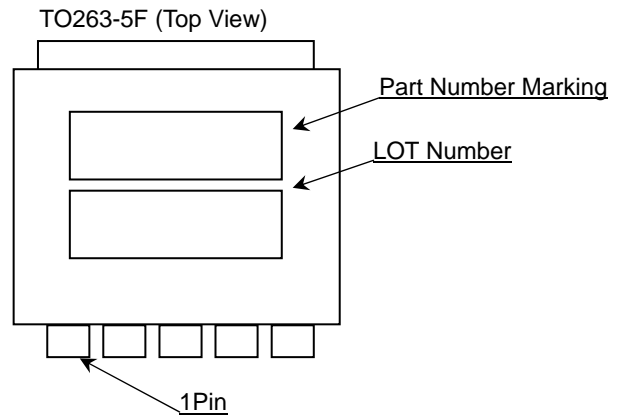


● Marking Diagrams (Top View)



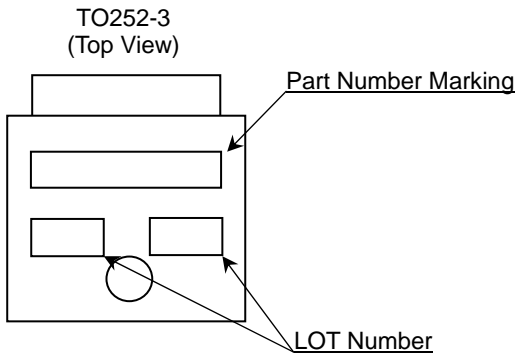
| Part Number Marking | Output Voltage [V] | Enable Input ⁽¹⁾ |
|---------------------|--------------------|-----------------------------|
| 433M5W | 3.3 | ○ |
| 450M5W | 5.0 | ○ |

(1) ○: Includes Enable Input
 -: Not includes Enable Input



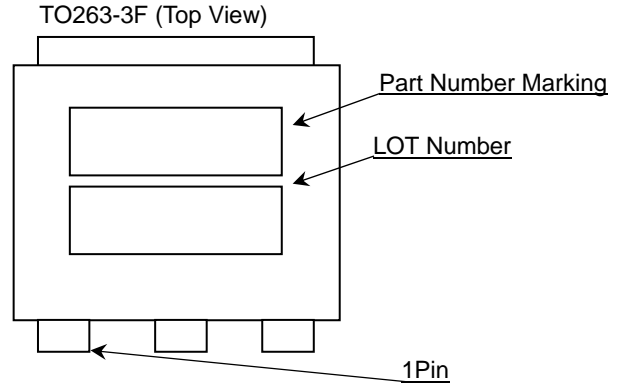
| Part Number Marking | Output Voltage [V] | Enable Input ⁽¹⁾ |
|---------------------|--------------------|-----------------------------|
| 433M5W | 3.3 | ○ |
| 450M5W | 5.0 | ○ |

(1) ○: Includes Enable Input
 -: Not includes Enable Input



| Part Number Marking | Output Voltage [V] | Enable Input ⁽¹⁾ |
|---------------------|--------------------|-----------------------------|
| 433M5 | 3.3 | - |
| 450M5 | 5.0 | - |

(1) ○: Includes Enable Input
 -: Not includes Enable Input



| Part Number Marking | Output Voltage [V] | Enable Input ⁽¹⁾ |
|---------------------|--------------------|-----------------------------|
| 433M5 | 3.3 | - |
| 450M5 | 5.0 | - |

(1) ○: Includes Enable Input
 -: Not includes Enable Input

●Revision History

| Date | Revision | Changes |
|-------------|----------|---|
| 5.Apr.2013 | 001 | New Release |
| 18.Oct.2013 | 002 | General description and key specifications revised. Figure 1. FP2: TO263-5F H (Max.) revised. Pin No. Fin of BD433 / 450M5WFPJ-C and BD433 / 450M5WFP2-C revised. Figure 4. Block Diagrams (BD433 / 450M5WFPJ-C, BD433 / 450M5WFP2-C, BD433 / 450M5FP-C, BD433 / 450M5FP2-C) revised. Physical Dimension(TO252-J5F), Tape and Reel Information (TO263-5F、TO263-3F) revised. |

Notice

Precaution on using ROHM Products

1. If you intend to use our Products in devices requiring extremely high reliability (such as medical equipment ^(Note 1), aircraft/spacecraft, nuclear power controllers, etc.) and whose malfunction or failure may cause loss of human life, bodily injury or serious damage to property ("Specific Applications"), please consult with the ROHM sales representative in advance. Unless otherwise agreed in writing by ROHM in advance, ROHM shall not be in any way responsible or liable for any damages, expenses or losses incurred by you or third parties arising from the use of any ROHM's Products for Specific Applications.

(Note1) Medical Equipment Classification of the Specific Applications

| JAPAN | USA | EU | CHINA |
|-----------|-----------|------------|-----------|
| CLASS III | CLASS III | CLASS II b | CLASS III |
| CLASS IV | | CLASS III | |

2. ROHM designs and manufactures its Products subject to strict quality control system. However, semiconductor products can fail or malfunction at a certain rate. Please be sure to implement, at your own responsibilities, adequate safety measures including but not limited to fail-safe design against the physical injury, damage to any property, which a failure or malfunction of our Products may cause. The following are examples of safety measures:
 - [a] Installation of protection circuits or other protective devices to improve system safety
 - [b] Installation of redundant circuits to reduce the impact of single or multiple circuit failure
3. Our Products are not designed under any special or extraordinary environments or conditions, as exemplified below. Accordingly, ROHM shall not be in any way responsible or liable for any damages, expenses or losses arising from the use of any ROHM's Products under any special or extraordinary environments or conditions. If you intend to use our Products under any special or extraordinary environments or conditions (as exemplified below), your independent verification and confirmation of product performance, reliability, etc, prior to use, must be necessary:
 - [a] Use of our Products in any types of liquid, including water, oils, chemicals, and organic solvents
 - [b] Use of our Products outdoors or in places where the Products are exposed to direct sunlight or dust
 - [c] Use of our Products in places where the Products are exposed to sea wind or corrosive gases, including Cl₂, H₂S, NH₃, SO₂, and NO₂
 - [d] Use of our Products in places where the Products are exposed to static electricity or electromagnetic waves
 - [e] Use of our Products in proximity to heat-producing components, plastic cords, or other flammable items
 - [f] Sealing or coating our Products with resin or other coating materials
 - [g] Use of our Products without cleaning residue of flux (even if you use no-clean type fluxes, cleaning residue of flux is recommended); or Washing our Products by using water or water-soluble cleaning agents for cleaning residue after soldering
 - [h] Use of the Products in places subject to dew condensation
4. The Products are not subject to radiation-proof design.
5. Please verify and confirm characteristics of the final or mounted products in using the Products.
6. In particular, if a transient load (a large amount of load applied in a short period of time, such as pulse. is applied, confirmation of performance characteristics after on-board mounting is strongly recommended. Avoid applying power exceeding normal rated power; exceeding the power rating under steady-state loading condition may negatively affect product performance and reliability.
7. De-rate Power Dissipation (Pd) depending on Ambient temperature (Ta). When used in sealed area, confirm the actual ambient temperature.
8. Confirm that operation temperature is within the specified range described in the product specification.
9. ROHM shall not be in any way responsible or liable for failure induced under deviant condition from what is defined in this document.

Precaution for Mounting / Circuit board design

1. When a highly active halogenous (chlorine, bromine, etc.) flux is used, the residue of flux may negatively affect product performance and reliability.
2. In principle, the reflow soldering method must be used; if flow soldering method is preferred, please consult with the ROHM representative in advance.

For details, please refer to ROHM Mounting specification

Precautions Regarding Application Examples and External Circuits

1. If change is made to the constant of an external circuit, please allow a sufficient margin considering variations of the characteristics of the Products and external components, including transient characteristics, as well as static characteristics.
2. You agree that application notes, reference designs, and associated data and information contained in this document are presented only as guidance for Products use. Therefore, in case you use such information, you are solely responsible for it and you must exercise your own independent verification and judgment in the use of such information contained in this document. ROHM shall not be in any way responsible or liable for any damages, expenses or losses incurred by you or third parties arising from the use of such information.

Precaution for Electrostatic

This Product is electrostatic sensitive product, which may be damaged due to electrostatic discharge. Please take proper caution in your manufacturing process and storage so that voltage exceeding the Products maximum rating will not be applied to Products. Please take special care under dry condition (e.g. Grounding of human body / equipment / solder iron, isolation from charged objects, setting of Ionizer, friction prevention and temperature / humidity control).

Precaution for Storage / Transportation

1. Product performance and soldered connections may deteriorate if the Products are stored in the places where:
 - [a] the Products are exposed to sea winds or corrosive gases, including Cl₂, H₂S, NH₃, SO₂, and NO₂
 - [b] the temperature or humidity exceeds those recommended by ROHM
 - [c] the Products are exposed to direct sunshine or condensation
 - [d] the Products are exposed to high Electrostatic
2. Even under ROHM recommended storage condition, solderability of products out of recommended storage time period may be degraded. It is strongly recommended to confirm solderability before using Products of which storage time is exceeding the recommended storage time period.
3. Store / transport cartons in the correct direction, which is indicated on a carton with a symbol. Otherwise bent leads may occur due to excessive stress applied when dropping of a carton.
4. Use Products within the specified time after opening a humidity barrier bag. Baking is required before using Products of which storage time is exceeding the recommended storage time period.

Precaution for Product Label

QR code printed on ROHM Products label is for ROHM's internal use only.

Precaution for Disposition

When disposing Products please dispose them properly using an authorized industry waste company.

Precaution for Foreign Exchange and Foreign Trade act

Since our Products might fall under controlled goods prescribed by the applicable foreign exchange and foreign trade act, please consult with ROHM representative in case of export.

Precaution Regarding Intellectual Property Rights

1. All information and data including but not limited to application example contained in this document is for reference only. ROHM does not warrant that foregoing information or data will not infringe any intellectual property rights or any other rights of any third party regarding such information or data. ROHM shall not be in any way responsible or liable for infringement of any intellectual property rights or other damages arising from use of such information or data.:
2. No license, expressly or implied, is granted hereby under any intellectual property rights or other rights of ROHM or any third parties with respect to the information contained in this document.

Other Precaution

1. This document may not be reprinted or reproduced, in whole or in part, without prior written consent of ROHM.
2. The Products may not be disassembled, converted, modified, reproduced or otherwise changed without prior written consent of ROHM.
3. In no event shall you use in any way whatsoever the Products and the related technical information contained in the Products or this document for any military purposes, including but not limited to, the development of mass-destruction weapons.
4. The proper names of companies or products described in this document are trademarks or registered trademarks of ROHM, its affiliated companies or third parties.

General Precaution

1. Before you use our Products, you are requested to carefully read this document and fully understand its contents. ROHM shall not be in any way responsible or liable for failure, malfunction or accident arising from the use of any ROHM's Products against warning, caution or note contained in this document.
2. All information contained in this document is current as of the issuing date and subject to change without any prior notice. Before purchasing or using ROHM's Products, please confirm the latest information with a ROHM sales representative.
3. The information contained in this document is provided on an "as is" basis and ROHM does not warrant that all information contained in this document is accurate and/or error-free. ROHM shall not be in any way responsible or liable for any damages, expenses or losses incurred by you or third parties resulting from inaccuracy or errors of or concerning such information.

Компания «Океан Электроники» предлагает заключение долгосрочных отношений при поставках импортных электронных компонентов на взаимовыгодных условиях!

Наши преимущества:

- Поставка оригинальных импортных электронных компонентов напрямую с производств Америки, Европы и Азии, а так же с крупнейших складов мира;
- Широкая линейка поставок активных и пассивных импортных электронных компонентов (более 30 млн. наименований);
- Поставка сложных, дефицитных, либо снятых с производства позиций;
- Оперативные сроки поставки под заказ (от 5 рабочих дней);
- Экспресс доставка в любую точку России;
- Помощь Конструкторского Отдела и консультации квалифицированных инженеров;
- Техническая поддержка проекта, помощь в подборе аналогов, поставка прототипов;
- Поставка электронных компонентов под контролем ВП;
- Система менеджмента качества сертифицирована по Международному стандарту ISO 9001;
- При необходимости вся продукция военного и аэрокосмического назначения проходит испытания и сертификацию в лаборатории (по согласованию с заказчиком);
- Поставка специализированных компонентов военного и аэрокосмического уровня качества (Xilinx, Altera, Analog Devices, Intersil, Interpoint, Microsemi, Actel, Aeroflex, Peregrine, VPT, Syfer, Eurofarad, Texas Instruments, MS Kennedy, Miteq, Cobham, E2V, MA-COM, Hittite, Mini-Circuits, General Dynamics и др.);

Компания «Океан Электроники» является официальным дистрибьютором и эксклюзивным представителем в России одного из крупнейших производителей разъемов военного и аэрокосмического назначения «**JONHON**», а так же официальным дистрибьютором и эксклюзивным представителем в России производителя высокотехнологичных и надежных решений для передачи СВЧ сигналов «**FORSTAR**».



JONHON

«**JONHON**» (основан в 1970 г.)

Разъемы специального, военного и аэрокосмического назначения:

(Применяются в военной, авиационной, аэрокосмической, морской, железнодорожной, горно- и нефтедобывающей отраслях промышленности)

«**FORSTAR**» (основан в 1998 г.)

ВЧ соединители, коаксиальные кабели,
кабельные сборки и микроволновые компоненты:

(Применяются в телекоммуникациях гражданского и специального назначения, в средствах связи, РЛС, а так же военной, авиационной и аэрокосмической отраслях промышленности).



Телефон: 8 (812) 309-75-97 (многоканальный)

Факс: 8 (812) 320-03-32

Электронная почта: ocean@oceanchips.ru

Web: <http://oceanchips.ru/>

Адрес: 198099, г. Санкт-Петербург, ул. Калинина, д. 2, корп. 4, лит. А