

### General Description

The 9FGU0841 is a member of IDT's 1.5V Ultra-Low-Power PCIe clock family with integrated output terminations providing  $Z_o=100\Omega$ . The device has 8 output enables for clock management, 2 different spread spectrum levels in addition to spread off and 2 selectable SMBus addresses.

### Recommended Application

- 1.5V PCIe Gen1-2-3 Clock Generator

### Output Features

- 8 - 100MHz Low-Power (LP) HCSL DIF pairs w/ $Z_o=100\text{ohms}$
- 1 - 1.5V LVCMOS REF output w/Wake-On-LAN (WOL) support

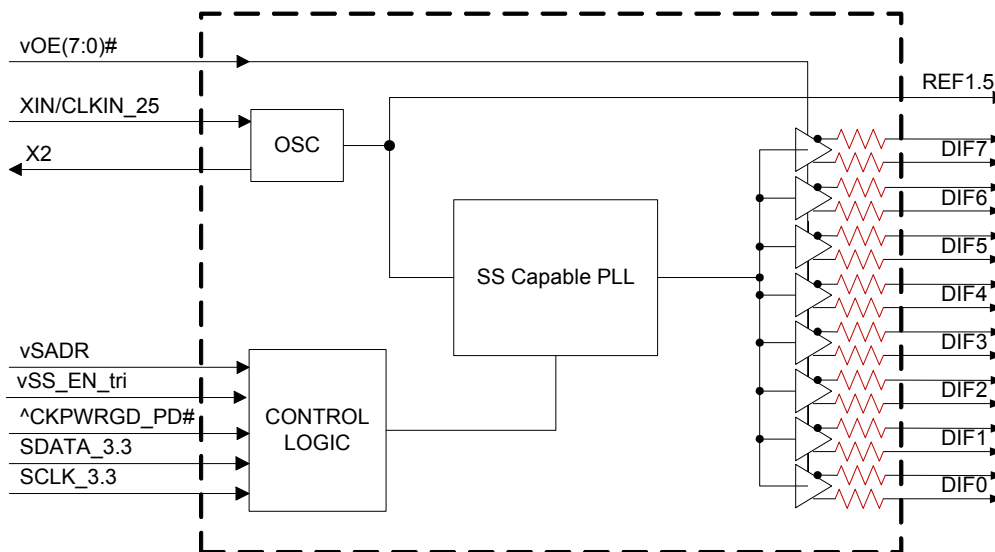
### Key Specification

- DIF cycle-to-cycle jitter <50ps
- DIF output-to-output skew < 60ps
- DIF phase jitter is PCIe Gen1-2-3 compliant
- REF phase jitter is < 3.0ps RMS

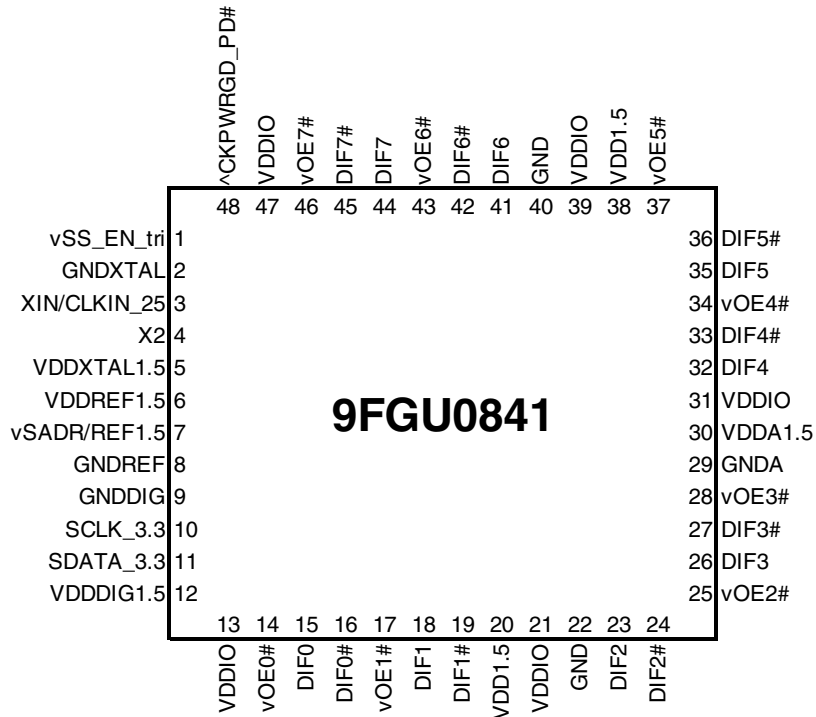
### Features/Benefits

- Direct connection to 100ohm transmission lines; saves 32 resistors compared to standard PCIe devices
- 50mW typical power consumption; reduced thermal concerns
- Outputs can optionally be supplied from any voltage between 1.05 and 1.5V; maximum power savings
- OE# pins; support DIF power management
- Programmable Slew rate for each output; allows tuning for various line length
- Programmable output amplitude; allows tuning for various application environments
- DIF outputs blocked until PLL is locked; clean system start-up
- Selectable 0%, -0.25% or -0.5% spread on DIF outputs; reduces EM
- External 25MHz crystal; supports tight ppm with 0 ppm synthesis error
- Configuration can be accomplished with strapping pins; SMBus interface not required for device control
- Selectable SMBus addresses; multiple devices can easily share an SMBus segment
- 3.3V tolerant SMBus interface works with legacy controllers
- Space saving 48-pin 6x6 mm VFQFPN; minimal board space

### Functional Block Diagram



## Pin Configuration



### 48-pin MLF, 6x6 mm, 0.4mm pitch

- vv prefix indicates internal 60KOhm pull down resistor
- v prefix indicates internal 120KOhm pull down resistor
- ^ prefix indicates internal 120KOhm pull up resistor

## Power Management Table

| CKPWRGD_PD# | SMBus OE bit | DIFx |          |           | REF               |
|-------------|--------------|------|----------|-----------|-------------------|
|             |              | OEx# | True O/P | Comp. O/P |                   |
| 0           | X            | X    | Low      | Low       | Hi-Z <sup>1</sup> |
| 1           | 1            | 0    | Running  | Running   | Running           |
| 1           | 0            | 1    | Low      | Low       | Low               |

1. REF is Hi-Z until the 1st assertion of CKPWRGD\_PD# high. After this, when CKPWRGD\_PD# is low, REF is Low.

## SMBus Address Selection Table

|   | SADR | Address | + Read/Write Bit |
|---|------|---------|------------------|
| State of SADR on first application of CKPWRGD_PD# | 0    | 1101000 | x                |
|   | 1    | 1101010 | x                |

## Power Connections

| Pin Number |                |          | Description           |
|------------|----------------|----------|-----------------------|
| VDD        | VDDIO          | GND      |                       |
| 5          |                | 2        | XTAL OSC              |
| 6          |                | 8        | REF Power             |
| 12         |                | 9        | Digital (dirty) Power |
| 20,38      | 13,21,31,39,47 | 22,29,40 | DIF outputs           |
| 30         |                | 29       | PLL Analog            |

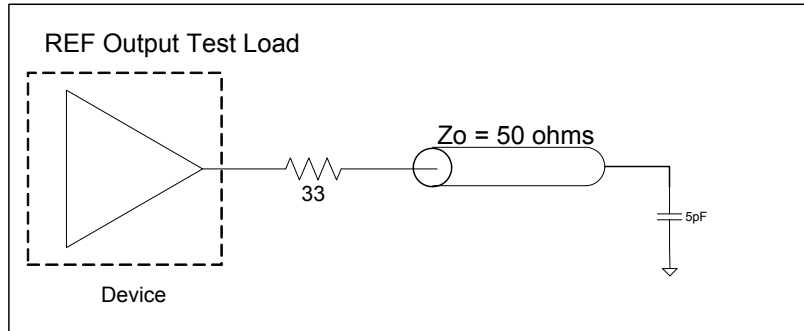
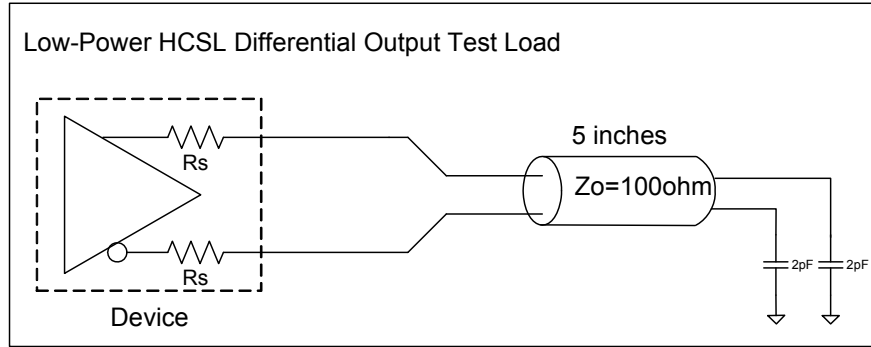
## Pin Descriptions

| PIN # | PIN NAME     | TYPE           | DESCRIPTION   |
|-------|--------------|----------------|---|
| 1     | vSS_EN_tri   | LATCHED<br>IN  | Latched select input to select spread spectrum amount at initial power up :<br>1 = -0.5% spread, M = -0.25%, 0 = Spread Off |
| 2     | GNDXTAL      | GND            | GND for XTAL  |
| 3     | XIN/CLKIN_25 | IN             | Crystal input or Reference Clock input. Nominally 25MHz.  |
| 4     | X2           | OUT            | Crystal output.   |
| 5     | VDDXTAL1.5   | PWR            | Power supply for XTAL, nominal 1.5V   |
| 6     | VDDREF1.5    | PWR            | VDD for REF output. nominal 1.5V.   |
| 7     | vSADR/REF1.5 | LATCHED<br>I/O | Latch to select SMBus Address/1.5V LVCMOS copy of X1/REFIN pin  |
| 8     | GNDREF       | GND            | Ground pin for the REF outputs.   |
| 9     | GNDDIG       | GND            | Ground pin for digital circuitry  |
| 10    | SCLK_3.3     | IN             | Clock pin of SMBus circuitry, 3.3V tolerant.  |
| 11    | SDATA_3.3    | I/O            | Data pin for SMBus circuitry, 3.3V tolerant.  |
| 12    | VDDDIG1.5    | PWR            | 1.5V digital power (dirty power)  |
| 13    | VDDIO        | PWR            | Power supply for differential outputs   |
| 14    | vOE0#        | IN             | Active low input for enabling DIF pair 0. This pin has an internal pull-down.<br>1 =disable outputs, 0 = enable outputs     |
| 15    | DIF0         | OUT            | Differential true clock output  |
| 16    | DIF0#        | OUT            | Differential Complementary clock output   |
| 17    | vOE1#        | IN             | Active low input for enabling DIF pair 1. This pin has an internal pull-down.<br>1 =disable outputs, 0 = enable outputs     |
| 18    | DIF1         | OUT            | Differential true clock output  |
| 19    | DIF1#        | OUT            | Differential Complementary clock output   |
| 20    | VDD1.5       | PWR            | Power supply, nominally 1.5V  |
| 21    | VDDIO        | PWR            | Power supply for differential outputs   |
| 22    | GND          | GND            | Ground pin.   |
| 23    | DIF2         | OUT            | Differential true clock output  |
| 24    | DIF2#        | OUT            | Differential Complementary clock output   |
| 25    | vOE2#        | IN             | Active low input for enabling DIF pair 2. This pin has an internal pull-down.<br>1 =disable outputs, 0 = enable outputs     |
| 26    | DIF3         | OUT            | Differential true clock output  |
| 27    | DIF3#        | OUT            | Differential Complementary clock output   |
| 28    | vOE3#        | IN             | Active low input for enabling DIF pair 3. This pin has an internal pull-down.<br>1 =disable outputs, 0 = enable outputs     |
| 29    | GND A        | GND            | Ground pin for the PLL core.  |
| 30    | VDDA1.5      | PWR            | 1.5V power for the PLL core.  |
| 31    | VDDIO        | PWR            | Power supply for differential outputs   |
| 32    | DIF4         | OUT            | Differential true clock output  |
| 33    | DIF4#        | OUT            | Differential Complementary clock output   |
| 34    | vOE4#        | IN             | Active low input for enabling DIF pair 4. This pin has an internal pull-down.<br>1 =disable outputs, 0 = enable outputs     |
| 35    | DIF5         | OUT            | Differential true clock output  |
| 36    | DIF5#        | OUT            | Differential Complementary clock output   |
| 37    | vOE5#        | IN             | Active low input for enabling DIF pair 5. This pin has an internal pull-down.<br>1 =disable outputs, 0 = enable outputs     |
| 38    | VDD1.5       | PWR            | Power supply, nominally 1.5V  |
| 39    | VDDIO        | PWR            | Power supply for differential outputs   |

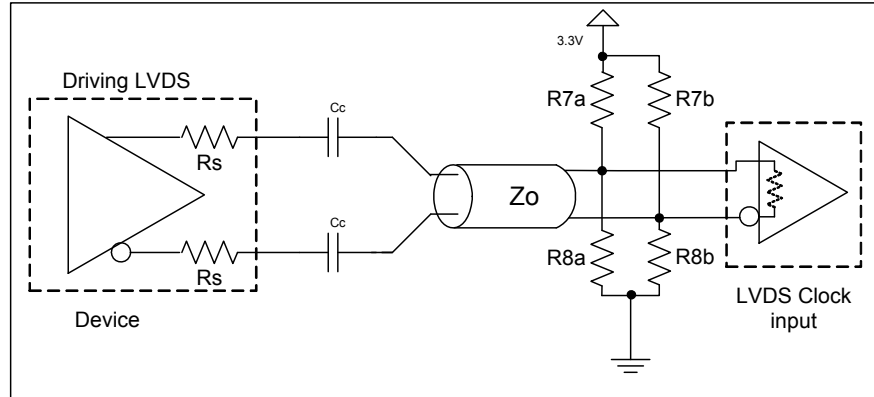
## Pin Descriptions (cont.)

| PIN # | PIN NAME     | TYPE | DESCRIPTION   |
|-------|--------------|------|---|
| 40    | GND          | GND  | Ground pin.   |
| 41    | DIF6         | OUT  | Differential true clock output  |
| 42    | DIF6#        | OUT  | Differential Complementary clock output   |
| 43    | vOE6#        | IN   | Active low input for enabling DIF pair 6. This pin has an internal pull-down. 1 =disable outputs, 0 = enable outputs  |
| 44    | DIF7         | OUT  | Differential true clock output  |
| 45    | DIF7#        | OUT  | Differential Complementary clock output   |
| 46    | vOE7#        | IN   | Active low input for enabling DIF pair 7. This pin has an internal pull-down. 1 =disable outputs, 0 = enable outputs  |
| 47    | VDDIO        | PWR  | Power supply for differential outputs   |
| 48    | ^CKPWRGD_PD# | IN   | Input notifies device to sample latched inputs and start up on first high assertion. Low enters Power Down Mode, subsequent high assertions exit Power Down Mode. This pin has internal pull-up resistor. |

### Test Loads



### Alternate Terminations



**Driving LVDS inputs**

| Component | Value                    |                                    | Note |
|-----------|--------------------------|------------------------------------|------|
|           | Receiver has termination | Receiver does not have termination |      |
| R7a, R7b  | 10K ohm                  | 140 ohm                            |      |
| R8a, R8b  | 5.6K ohm                 | 75 ohm                             |      |
| $C_c$     | 0.1 uF                   | 0.1 uF                             |      |
| $V_{cm}$  | 1.2 volts                | 1.2 volts                          |      |

## Absolute Maximum Ratings

Stresses above the ratings listed below can cause permanent damage to the 9FGV0831. These ratings, which are standard values for IDT commercially rated parts, are stress ratings only. Functional operation of the device at these or any other conditions above those indicated in the operational sections of the specifications is not implied. Exposure to absolute maximum rating conditions for extended periods can affect product reliability. Electrical parameters are guaranteed only over the recommended operating temperature range.

| PARAMETER                 | SYMBOL             | CONDITIONS                | MIN  | TYP | MAX                   | UNITS | NOTES |
|---------------------------|--------------------|---------------------------|------|-----|-----------------------|-------|-------|
| Supply Voltage            | VDDxx              | Applies to all VDD pins   | -0.5 |     | 2                     | V     | 1,2   |
| Input Voltage             | V <sub>IN</sub>    |                           | -0.5 |     | V <sub>DD</sub> +0.5V | V     | 1,3   |
| Input High Voltage, SMBus | V <sub>IHSMB</sub> | SMBus clock and data pins |      |     | 3.3V                  | V     | 1     |
| Storage Temperature       | T <sub>s</sub>     |                           | -65  |     | 150                   | °C    | 1     |
| Junction Temperature      | T <sub>j</sub>     |                           |      |     | 125                   | °C    | 1     |
| Input ESD protection      | ESD prot           | Human Body Model          | 2000 |     |                       | V     | 1     |

<sup>1</sup>Guaranteed by design and characterization, not 100% tested in production.

<sup>2</sup>Operation under these conditions is neither implied nor guaranteed.

<sup>3</sup>Not to exceed 2.5V.

## Electrical Characteristics – Current Consumption

TA = T<sub>AMB</sub>; Supply Voltages per normal operation conditions, See Test Loads for Loading Conditions

| PARAMETER   | SYMBOL              | CONDITIONS   | MIN | TYP    | MAX | UNITS | NOTES |
|---|---------------------|--|-----|--------|-----|-------|-------|
| Operating Supply Current  | I <sub>DDAOP</sub>  | VDDA, All outputs active @100MHz                                       |     | 6      | 9   | mA    |       |
|   | I <sub>DDOP</sub>   | All VDD, except VDDA and VDDIO, All outputs active @100MHz             |     | 9      | 14  | mA    |       |
|   | I <sub>DDIOOP</sub> | VDDIO, All outputs active @100MHz                                      |     | 27     | 35  | mA    |       |
| Wake-on-LAN Current<br>(CKPWRGD_PD# = '0'<br>Byte 3, bit 5 = '1') | I <sub>DDAPD</sub>  | VDDA, DIF outputs off, REF output running                              |     | 0.4    | 1   | mA    | 2     |
|   | I <sub>DDPD</sub>   | All VDD, except VDDA and VDDIO,<br>DIF outputs off, REF output running |     | 4.4    | 7   | mA    | 2     |
|   | I <sub>DDIOPD</sub> | VDDIO, DIF outputs off, REF output running                             |     | 0.04   | 0.1 | mA    | 2     |
| Powerdown Current<br>(CKPWRGD_PD# = '0'<br>Byte 3, bit 5 = '0')   | I <sub>DDAPD</sub>  | VDDA, all outputs off  |     | 0.4    | 1   | mA    |       |
|   | I <sub>DDPD</sub>   | All VDD, except VDDA and VDDIO, all outputs off                        |     | 0.4    | 1   | mA    |       |
|   | I <sub>DDIOPD</sub> | VDDIO, all outputs off   |     | 0.0003 | 0.1 | mA    |       |

<sup>1</sup>Guaranteed by design and characterization, not 100% tested in production.

<sup>2</sup>This is the current required to have the REF output running in Wake-on-LAN mode (Byte 3, bit 5 = 1)

## Electrical Characteristics – DIF Output Duty Cycle, Jitter, and Skew Characteristics

TA = T<sub>AMB</sub>; Supply Voltages per normal operation conditions, See Test Loads for Loading Conditions

| PARAMETER              | SYMBOL                | CONDITIONS                         | MIN | TYP | MAX | UNITS | NOTES |
|------------------------|-----------------------|------------------------------------|-----|-----|-----|-------|-------|
| Duty Cycle             | t <sub>DC</sub>       | Measured differentially, PLL Mode  | 45  | 50  | 55  | %     | 1,2   |
| Skew, Output to Output | t <sub>sk3</sub>      | Averaging on, V <sub>T</sub> = 50% |     | 32  | 60  | ps    | 1     |
| Jitter, Cycle to cycle | t <sub>cycc-cyc</sub> |                                    |     | 16  | 50  | ps    | 1,2   |

<sup>1</sup>Guaranteed by design and characterization, not 100% tested in production.

<sup>2</sup>Measured from differential waveform

## Electrical Characteristics – Input/Supply/Common Parameters - Normal Operating Conditions

TA = T<sub>AMB</sub>; Supply Voltages per normal operation conditions, See Test Loads for Loading Conditions

| PARAMETER                     | SYMBOL               | CONDITIONS  | MIN                   | TYP                 | MAX                   | UNITS  | NOTES |
|-------------------------------|----------------------|---|-----------------------|---------------------|-----------------------|--------|-------|
| Supply Voltage                | VDDXX                | Supply voltage for core, analog and single-ended LVCMOS outputs   | 1.425                 | 1.5                 | 1.575                 | V      |       |
| Output Supply Voltage         | VDDIO                | Supply voltage for differential Low Power Outputs   | 0.9975                | 1.05-1.5            | 1.575                 | V      |       |
| Ambient Operating Temperature | T <sub>AMB</sub>     | Comercial range   | 0                     | 25                  | 70                    | °C     |       |
|                               |                      | Industrial range  | -40                   | 25                  | 85                    | °C     |       |
| Input High Voltage            | V <sub>IH</sub>      | Single-ended inputs, except SMBus   | 0.75 V <sub>DD</sub>  |                     | V <sub>DD</sub> + 0.3 | V      |       |
| Input Mid Voltage             | V <sub>IM</sub>      | Single-ended tri-level inputs ('_tri' suffix)   | 0.4 V <sub>DD</sub>   | 0.5 V <sub>DD</sub> | 0.6 V <sub>DD</sub>   | V      |       |
| Input Low Voltage             | V <sub>IL</sub>      | Single-ended inputs, except SMBus   | -0.3                  |                     | 0.25 V <sub>DD</sub>  | V      |       |
| Output High Voltage           | V <sub>IH</sub>      | Single-ended outputs, except SMBus. I <sub>OH</sub> = -2mA  | V <sub>DD</sub> -0.45 |                     |                       | V      |       |
| Output Low Voltage            | V <sub>IL</sub>      | Single-ended outputs, except SMBus. I <sub>OL</sub> = -2mA  |                       |                     | 0.45                  | V      |       |
| Input Current                 | I <sub>IN</sub>      | Single-ended inputs, V <sub>IN</sub> = GND, V <sub>IN</sub> = VDD   | -5                    |                     | 5                     | uA     |       |
|                               | I <sub>INP</sub>     | Single-ended inputs<br>V <sub>IN</sub> = 0 V; Inputs with internal pull-up resistors<br>V <sub>IN</sub> = VDD; Inputs with internal pull-down resistors | -200                  |                     | 200                   | uA     |       |
| Input Frequency               | F <sub>in</sub>      | XTAL, or X1 input   | 23                    | 25                  | 27                    | MHz    |       |
| Pin Inductance                | L <sub>pin</sub>     |   |                       |                     | 7                     | nH     | 1     |
| Capacitance                   | C <sub>IN</sub>      | Logic Inputs, except DIF_IN   | 1.5                   |                     | 5                     | pF     | 1     |
|                               | C <sub>OUT</sub>     | Output pin capacitance  |                       |                     | 6                     | pF     | 1     |
| Clk Stabilization             | T <sub>STAB</sub>    | From V <sub>DD</sub> Power-Up and after input clock stabilization or de-assertion of PD# to 1st clock   |                       |                     | 1.8                   | ms     | 1,2   |
| SS Modulation Frequency       | f <sub>MOD</sub>     | Triangular Modulation   | 30                    | 31.6                | 33                    | kHz    | 1     |
| OE# Latency                   | t <sub>LATOE#</sub>  | DIF start after OE# assertion<br>DIF stop after OE# deassertion   | 1                     |                     | 3                     | clocks | 1,3   |
| Tdrive_PD#                    | t <sub>DRVDPD</sub>  | DIF output enable after PD# de-assertion  |                       |                     | 300                   | us     | 1,3   |
| Tfall                         | t <sub>F</sub>       | Fall time of single-ended control inputs  |                       |                     | 5                     | ns     | 2     |
| Trise                         | t <sub>R</sub>       | Rise time of single-ended control inputs  |                       |                     | 5                     | ns     | 2     |
| SMBus Input Low Voltage       | V <sub>ILSMB</sub>   |   |                       |                     | 0.6                   | V      |       |
| SMBus Input High Voltage      | V <sub>IHSMB</sub>   | V <sub>DD</sub> SMB = 3.3V, see note 4 for V <sub>DD</sub> SMB < 3.3V   | 2.1                   |                     | 3.3                   | V      | 4     |
| SMBus Output Low Voltage      | V <sub>OLSMB</sub>   | @ I <sub>PULLUP</sub>   |                       |                     | 0.4                   | V      |       |
| SMBus Sink Current            | I <sub>PULLUP</sub>  | @ V <sub>OL</sub>   | 4                     |                     |                       | mA     |       |
| Nominal Bus Voltage           | V <sub>DD</sub> SMB  |   | 1.425                 |                     | 3.3                   | V      |       |
| SCLK/SDATA Rise Time          | t <sub>RSMB</sub>    | (Max V <sub>IL</sub> - 0.15) to (Min V <sub>IH</sub> + 0.15)  |                       |                     | 1000                  | ns     | 1     |
| SCLK/SDATA Fall Time          | t <sub>FSMB</sub>    | (Min V <sub>IH</sub> + 0.15) to (Max V <sub>IL</sub> - 0.15)  |                       |                     | 300                   | ns     | 1     |
| SMBus Operating Frequency     | f <sub>MAX</sub> SMB | Maximum SMBus operating frequency   |                       |                     | 400                   | kHz    | 1     |

<sup>1</sup> Guaranteed by design and characterization, not 100% tested in production.

<sup>2</sup> Control input must be monotonic from 20% to 80% of input swing.

<sup>3</sup> Time from deassertion until outputs are >200 mV

<sup>4</sup> For V<sub>DD</sub>SMB < 3.3V, V<sub>IHSMB</sub> >= 0.8xV<sub>DD</sub>SMB

## Electrical Characteristics – DIF Low-Power HCSL Outputs

TA = T<sub>AMB</sub>: Supply Voltages per normal operation conditions, See Test Loads for Loading Conditions

| PARAMETER              | SYMBOL                 | CONDITIONS  | MIN  | TYP  | MAX  | UNITS | NOTES |
|------------------------|------------------------|---|------|------|------|-------|-------|
| Slew rate              | Trf                    | Scope averaging on fast setting   | 1.2  | 2.4  | 3.6  | V/ns  | 1,2,3 |
|                        |                        | Scope averaging on slow setting   | 0.8  | 1.7  | 2.5  | V/ns  | 1,2,3 |
| Slew rate matching     | ΔTrf                   | Slew rate matching, Scope averaging on  |      | 9    | 20   | %     | 1,2,4 |
| Voltage High           | V <sub>HIGH</sub>      | Statistical measurement on single-ended signal using oscilloscope math function. (Scope averaging on) | 600  | 750  | 850  | mV    | 7     |
| Voltage Low            | V <sub>LOW</sub>       |   | -150 | 26   | 150  |       | 7     |
| Max Voltage            | V <sub>max</sub>       | Measurement on single ended signal using absolute value. (Scope averaging off)                        |      | 763  | 1150 | mV    | 7     |
| Min Voltage            | V <sub>min</sub>       |   | -300 | 22   |      |       | 7     |
| Vswing                 | Vswing                 | Scope averaging off   | 300  | 1448 |      | mV    | 1,2,7 |
| Crossing Voltage (abs) | V <sub>cross_abs</sub> | Scope averaging off   | 250  | 390  | 550  | mV    | 1,5,7 |
| Crossing Voltage (var) | Δ-V <sub>cross</sub>   | Scope averaging off   |      | 11   | 140  | mV    | 1,6,7 |

<sup>1</sup> Guaranteed by design and characterization, not 100% tested in production.

<sup>2</sup> Measured from differential waveform

<sup>3</sup> Slew rate is measured through the Vswing voltage range centered around differential 0V. This results in a +/-150mV window around differential 0V.

<sup>4</sup> Matching applies to rising edge rate for Clock and falling edge rate for Clock#. It is measured using a +/-75mV window centered on the average cross point where Clock rising meets Clock# falling. The median cross point is used to calculate the voltage thresholds the oscilloscope is to use for the edge rate calculations.

<sup>5</sup> V<sub>cross</sub> is defined as voltage where Clock = Clock# measured on a component test board and only applies to the differential rising edge (i.e. Clock rising and Clock# falling).

<sup>6</sup> The total variation of all V<sub>cross</sub> measurements in any particular system. Note that this is a subset of V<sub>cross\_min/max</sub> (V<sub>cross</sub> absolute) allowed. The intent is to limit V<sub>cross</sub> induced modulation by setting Δ-V<sub>cross</sub> to be smaller than V<sub>cross</sub> absolute.

<sup>7</sup> At default SMBus amplitude settings.

## Electrical Characteristics – DIF Output Phase Jitter Parameters

TA = T<sub>AMB</sub>: Supply Voltages per normal operation conditions, See Test Loads for Loading Conditions

| PARAMETER              | SYMBOL                     | CONDITIONS   | MIN | TYP  | MAX | IND. LIMIT | UNITS    | Notes   |
|------------------------|----------------------------|--|-----|------|-----|------------|----------|---------|
| Phase Jitter, PLL Mode | t <sub>jphPCIEG1</sub>     | PCIe Gen 1   |     | 27.7 | 40  | 86         | ps (p-p) | 1,2,3,5 |
|                        | t <sub>jphPCIEG2</sub>     | PCIe Gen 2 Lo Band<br>10kHz < f < 1.5MHz   |     | 1.0  | 1.3 | 3          | ps (rms) | 1,2,3,5 |
|                        |                            | PCIe Gen 2 High Band<br>1.5MHz < f < Nyquist (50MHz)                                     |     | 1.9  | 2.2 | 3.1        | ps (rms) | 1,2,3,5 |
|                        | t <sub>jphPCIEG3</sub>     | PCIe Gen 3 Common Clock Architecture<br>(PLL BW of 2-4 or 2-5MHz, CDR = 10MHz)           |     | 0.4  | 0.6 | 1          | ps (rms) | 1,2,3,5 |
|                        | t <sub>jphPCIEG3SRnS</sub> | PCIe Gen 3 Separate Reference No Spread (SRnS)<br>(PLL BW of 2-4 or 2-5MHz, CDR = 10MHz) |     | 0.4  | 0.6 | 0.7        | ps (rms) | 1,2,3,5 |

<sup>1</sup> Guaranteed by design and characterization, not 100% tested in production.

<sup>2</sup> See <http://www.pcisig.com> for complete specs

<sup>3</sup> Sample size of at least 100K cycles. This figures extrapolates to 108ps pk-pk @ 1M cycles for a BER of 1-12.

<sup>4</sup> Calculated from Intel-supplied Clock Jitter Tool

<sup>5</sup> Applies to all differential outputs



## Electrical Characteristics – REF

TA = T<sub>AMB</sub>; Supply Voltages per normal operation conditions, See Test Loads for Loading Conditions

| PARAMETER              | SYMBOL               | CONDITIONS  | MIN  | TYP  | MAX  | UNITS       | Notes |
|------------------------|----------------------|---|------|------|------|-------------|-------|
| Long Accuracy          | ppm                  | see Tperiod min-max values                                | 0    |      |      | ppm         | 1,2   |
| Clock period           | T <sub>period</sub>  | 25 MHz output   |      | 40   |      | ns          | 2     |
| Rise/Fall Slew Rate    | t <sub>rf1</sub>     | Byte 3 = 1F, 20% to 80% of VDDREF                         | 0.3  | 0.7  | 1.1  | V/ns        | 1     |
| Rise/Fall Slew Rate    | t <sub>rf1</sub>     | Byte 3 = 5F, 20% to 80% of VDDREF                         | 0.5  | 1.0  | 1.6  | V/ns        | 1,3   |
| Rise/Fall Slew Rate    | t <sub>rf1</sub>     | Byte 3 = 9F, 20% to 80% of VDDREF                         | 0.77 | 1.3  | 1.9  | V/ns        | 1     |
| Rise/Fall Slew Rate    | t <sub>rf1</sub>     | Byte 3 = DF, 20% to 80% of VDDREF                         | 0.84 | 1.4  | 2.0  | V/ns        | 1     |
| Duty Cycle             | d <sub>t1X</sub>     | V <sub>T</sub> = VDD/2 V                                  | 45   | 47.1 | 55   | %           | 1,4   |
| Duty Cycle Distortion  | d <sub>tcd</sub>     | V <sub>T</sub> = VDD/2 V, when driven by XIN/CLKIN_25 pin | 0    | 2.00 | 4    | %           | 1,5   |
| Jitter, cycle to cycle | t <sub>jyc-cyc</sub> | V <sub>T</sub> = VDD/2 V                                  |      | 51.2 | 250  | ps          | 1,4   |
| Noise floor            | t <sub>dBc1k</sub>   | 1kHz offset   |      | -126 | -105 | dBc         | 1,4   |
| Noise floor            | t <sub>dBc10k</sub>  | 10kHz offset to Nyquist                                   |      | -139 | -110 | dBc         | 1,4   |
| Jitter, phase          | t <sub>jphREF</sub>  | 12kHz to 5MHz   |      | 1.11 | 3    | ps<br>(rms) | 1,4   |

<sup>1</sup>Guaranteed by design and characterization, not 100% tested in production.

<sup>2</sup>All Long Term Accuracy and Clock Period specifications are guaranteed assuming that REF is trimmed to 25.00 MHz

<sup>3</sup>Default SMBus Value

<sup>4</sup>When driven by a crystal.

<sup>5</sup>X2 should be floating.

## Clock Periods - Differential Outputs with Spread Spectrum Disabled

| SSC OFF | Center Freq. MHz | Measurement Window     |                             |                             |                      |                             |                             |                        | Units | Notes |
|---------|------------------|------------------------|-----------------------------|-----------------------------|----------------------|-----------------------------|-----------------------------|------------------------|-------|-------|
|         |                  | 1 Clock                | 1us                         | 0.1s                        | 0.1s                 | 0.1s                        | 1us                         | 1 Clock                |       |       |
|         |                  | -c2c jitter AbsPer Min | -SSC Short-Term Average Min | - ppm Long-Term Average Min | 0 ppm Period Nominal | + ppm Long-Term Average Max | +SSC Short-Term Average Max | +c2c jitter AbsPer Max |       |       |
| DIF     | 100.00           | 9.94900                |                             | 9.99900                     | 10.00000             | 10.00100                    |                             | 10.05100               | ns    | 1,2   |

## Clock Periods - Differential Outputs with Spread Spectrum Enabled

| SSC ON | Center Freq. MHz | Measurement Window     |                             |                             |                      |                             |                             |                        | Units | Notes |
|--------|------------------|------------------------|-----------------------------|-----------------------------|----------------------|-----------------------------|-----------------------------|------------------------|-------|-------|
|        |                  | 1 Clock                | 1us                         | 0.1s                        | 0.1s                 | 0.1s                        | 1us                         | 1 Clock                |       |       |
|        |                  | -c2c jitter AbsPer Min | -SSC Short-Term Average Min | - ppm Long-Term Average Min | 0 ppm Period Nominal | + ppm Long-Term Average Max | +SSC Short-Term Average Max | +c2c jitter AbsPer Max |       |       |
| DIF    | 99.75            | 9.94906                | 9.99906                     | 10.02406                    | 10.02506             | 10.02607                    | 10.05107                    | 10.10107               | ns    | 1,2   |

<sup>1</sup>Guaranteed by design and characterization, not 100% tested in production.

<sup>2</sup>All Long Term Accuracy and Clock Period specifications are guaranteed assuming that REF is trimmed to 25.00 MHz

## General SMBUS Serial Interface Information

### How to Write

- Controller (host) sends a start bit
- Controller (host) sends the write address
- IDT clock will **acknowledge**
- Controller (host) sends the beginning byte location = N
- IDT clock will **acknowledge**
- Controller (host) sends the byte count = X
- IDT clock will **acknowledge**
- Controller (host) starts sending Byte **N through Byte N+X-1**
- IDT clock will **acknowledge** each byte **one at a time**
- Controller (host) sends a Stop bit

### How to Read

- Controller (host) will send a start bit
- Controller (host) sends the write address
- IDT clock will **acknowledge**
- Controller (host) sends the beginning byte location = N
- IDT clock will **acknowledge**
- Controller (host) will send a separate start bit
- Controller (host) sends the read address
- IDT clock will **acknowledge**
- IDT clock will send the data byte count = X
- IDT clock sends Byte **N+X-1**
- IDT clock sends **Byte 0 through Byte X (if X<sub>(H)</sub> was written to Byte 8)**
- Controller (host) will need to acknowledge each byte
- Controller (host) will send a not acknowledge bit
- Controller (host) will send a stop bit

| Index Block Write Operation |           |                      |
|-----------------------------|-----------|----------------------|
| Controller (Host)           |           | IDT (Slave/Receiver) |
| T                           | starT bit |                      |
| Slave Address               |           |                      |
| WR                          | WRite     |                      |
|                             |           | ACK                  |
| Beginning Byte = N          |           |                      |
|                             |           | ACK                  |
| Data Byte Count = X         |           |                      |
|                             |           | ACK                  |
| Beginning Byte N            |           |                      |
|                             |           | ACK                  |
| O                           |           | X Byte               |
| O                           |           |                      |
| O                           |           |                      |
| Byte N + X - 1              |           |                      |
|                             |           | ACK                  |
| P                           | stoP bit  |                      |

**Note: SMBus address is Latched on SADR pin.**

| Index Block Read Operation |                 |                      |
|----------------------------|-----------------|----------------------|
| Controller (Host)          |                 | IDT (Slave/Receiver) |
| T                          | starT bit       |                      |
| Slave Address              |                 |                      |
| WR                         | WRite           |                      |
|                            |                 | ACK                  |
| Beginning Byte = N         |                 |                      |
|                            |                 | ACK                  |
| RT                         | Repeat starT    |                      |
| Slave Address              |                 |                      |
| RD                         | ReaD            |                      |
|                            |                 | ACK                  |
|                            |                 |                      |
| ACK                        |                 |                      |
|                            |                 | Data Byte Count=X    |
|                            |                 |                      |
| ACK                        |                 | Beginning Byte N     |
|                            |                 | O                    |
|                            |                 | O                    |
|                            |                 | O                    |
|                            |                 |                      |
|                            |                 | Byte N + X - 1       |
| N                          | Not acknowledge |                      |
| P                          | stoP bit        |                      |

**SMBus Table: Output Enable Register <sup>1</sup>**

| Byte 0 | Name    | Control Function | Type | 0       | 1       | Default |
|--------|---------|------------------|------|---------|---------|---------|
| Bit 7  | DIF OE7 | Output Enable    | RW   | Low/Low | Enabled | 1       |
| Bit 6  | DIF OE6 | Output Enable    | RW   | Low/Low | Enabled | 1       |
| Bit 5  | DIF OE5 | Output Enable    | RW   | Low/Low | Enabled | 1       |
| Bit 4  | DIF OE4 | Output Enable    | RW   | Low/Low | Enabled | 1       |
| Bit 3  | DIF OE3 | Output Enable    | RW   | Low/Low | Enabled | 1       |
| Bit 2  | DIF OE2 | Output Enable    | RW   | Low/Low | Enabled | 1       |
| Bit 1  | DIF OE1 | Output Enable    | RW   | Low/Low | Enabled | 1       |
| Bit 0  | DIF OE0 | Output Enable    | RW   | Low/Low | Enabled | 1       |

1. A low on these bits will override the OE# pin and force the differential output Low/Low

**SMBus Table: SS Readback and Control Register**

| Byte 1 | Name         | Control Function            | Type            | 0  | 1                                    | Default |
|--------|--------------|-----------------------------|-----------------|--|--------------------------------------|---------|
| Bit 7  | SSENRB1      | SS Enable Readback Bit1     | R               | 00' for SS_EN_tri = 0, '01' for SS_EN_tri = 'M', '11 for SS_EN_tri = '1' |                                      | Latch   |
| Bit 6  | SSENRB1      | SS Enable Readback Bit0     | R               |  |                                      | Latch   |
| Bit 5  | SSEN_SWCNTRL | Enable SW control of SS     | RW              | Values in B1[7:6] control SS amount                                      | Values in B1[4:3] control SS amount. | 0       |
| Bit 4  | SSENSW1      | SS Enable Software Ctl Bit1 | RW <sup>1</sup> | 00' = SS Off, '01' = -0.25% SS,  |                                      | 0       |
| Bit 3  | SSENSW0      | SS Enable Software Ctl Bit0 | RW <sup>1</sup> | '10' = Reserved, '11' = -0.5% SS   |                                      | 0       |
| Bit 2  | Reserved     |                             |                 |  |                                      | 1       |
| Bit 1  | AMPLITUDE 1  | Controls Output Amplitude   | RW              | 00 = 0.55V   | 01 = 0.65V                           | 1       |
| Bit 0  | AMPLITUDE 0  |                             | RW              | 10 = 0.7V  | 11 = 0.8V                            | 0       |

1. B1[5] must be set to a 1 for these bits to have any effect on the part.

**SMBus Table: DIF Slew Rate Control Register**

| Byte 2 | Name             | Control Function         | Type | 0            | 1            | Default |
|--------|------------------|--------------------------|------|--------------|--------------|---------|
| Bit 7  | SLEWRATESEL DIF7 | Adjust Slew Rate of DIF7 | RW   | Slow Setting | Fast Setting | 1       |
| Bit 6  | SLEWRATESEL DIF6 | Adjust Slew Rate of DIF6 | RW   | Slow Setting | Fast Setting | 1       |
| Bit 5  | SLEWRATESEL DIF5 | Adjust Slew Rate of DIF5 | RW   | Slow Setting | Fast Setting | 1       |
| Bit 4  | SLEWRATESEL DIF4 | Adjust Slew Rate of DIF4 | RW   | Slow Setting | Fast Setting | 1       |
| Bit 3  | SLEWRATESEL DIF3 | Adjust Slew Rate of DIF3 | RW   | Slow Setting | Fast Setting | 1       |
| Bit 2  | SLEWRATESEL DIF2 | Adjust Slew Rate of DIF2 | RW   | Slow Setting | Fast Setting | 1       |
| Bit 1  | SLEWRATESEL DIF1 | Adjust Slew Rate of DIF1 | RW   | Slow Setting | Fast Setting | 1       |
| Bit 0  | SLEWRATESEL DIF0 | Adjust Slew Rate of DIF0 | RW   | Slow Setting | Fast Setting | 1       |

**SMBus Table: Nominal Vhigh Amplitude Control/ REF Control Register**

| Byte 3 | Name                    | Control Function           | Type | 0                              | 1                      | Default |
|--------|-------------------------|----------------------------|------|--------------------------------|------------------------|---------|
| Bit 7  | REF                     | Slew Rate Control          | RW   | 00 = Slowest                   | 01 = Slow              | 0       |
| Bit 6  |                         |                            | RW   | 10 = Fast                      | 11 = Faster            | 1       |
| Bit 5  | REF Power Down Function | Wake-on-Lan Enable for REF | RW   | REF does not run in Power Down | REF runs in Power Down | 0       |
| Bit 4  | REF OE                  | REF Output Enable          | RW   | Low                            | Enabled                | 1       |
| Bit 3  | Reserved                |                            |      |                                |                        | 1       |
| Bit 2  | Reserved                |                            |      |                                |                        | 1       |
| Bit 1  | Reserved                |                            |      |                                |                        | 1       |
| Bit 0  | Reserved                |                            |      |                                |                        | 1       |

Byte 4 is Reserved

**SMBus Table: Revision and Vendor ID Register**

| Byte 5 | Name | Control Function | Type | 0            | 1 | Default |
|--------|------|------------------|------|--------------|---|---------|
| Bit 7  | RID3 | Revision ID      | R    | A rev = 0000 |   | 0       |
| Bit 6  | RID2 |                  | R    |              |   | 0       |
| Bit 5  | RID1 |                  | R    |              |   | 0       |
| Bit 4  | RID0 |                  | R    |              |   | 0       |
| Bit 3  | VID3 | VENDOR ID        | R    | 0001 = IDT   |   | 0       |
| Bit 2  | VID2 |                  | R    |              |   | 0       |
| Bit 1  | VID1 |                  | R    |              |   | 0       |
| Bit 0  | VID0 |                  | R    |              |   | 1       |

**SMBus Table: Device Type/Device ID**

| Byte 6 | Name         | Control Function | Type | 0  | 1 | Default |
|--------|--------------|------------------|------|--|---|---------|
| Bit 7  | Device Type1 | Device Type      | R    | 00 = FGx, 01 = DBx ZDB/FOB,<br>10 = DMx, 11= DBx FOB |   | 0       |
| Bit 6  | Device Type0 |                  | R    |  |   | 0       |
| Bit 5  | Device ID5   | Device ID        | R    | 001000 binary or 08 hex                              |   | 0       |
| Bit 4  | Device ID4   |                  | R    |  |   | 0       |
| Bit 3  | Device ID3   |                  | R    |  |   | 1       |
| Bit 2  | Device ID2   |                  | R    |  |   | 0       |
| Bit 1  | Device ID1   |                  | R    |  |   | 0       |
| Bit 0  | Device ID0   |                  | R    |  |   | 0       |

**SMBus Table: Byte Count Register**

| Byte 7 | Name | Control Function       | Type | 0   | 1 | Default |
|--------|------|------------------------|------|---|---|---------|
| Bit 7  |      | Reserved               |      |   |   | 0       |
| Bit 6  |      | Reserved               |      |   |   | 0       |
| Bit 5  |      | Reserved               |      |   |   | 0       |
| Bit 4  | BC4  | Byte Count Programming | RW   | Writing to this register will configure how many bytes will be read back, default is = 8 bytes. |   | 0       |
| Bit 3  | BC3  |                        | RW   |   |   | 1       |
| Bit 2  | BC2  |                        | RW   |   |   | 0       |
| Bit 1  | BC1  |                        | RW   |   |   | 0       |
| Bit 0  | BC0  |                        | RW   |   |   | 0       |

## Recommended Crystal Characteristics (3225 package)

| PARAMETER  | VALUE       | UNITS   | NOTES |
|--|-------------|---------|-------|
| Frequency  | 25          | MHz     | 1     |
| Resonance Mode   | Fundamental | -       | 1     |
| Frequency Tolerance @ 25°C                                       | ±20         | PPM Max | 1     |
| Frequency Stability, ref @ 25°C Over Operating Temperature Range | ±20         | PPM Max | 1     |
| Temperature Range (commercial)                                   | 0~70        | °C      | 1     |
| Temperature Range (industrial)                                   | -40~85      | °C      | 2     |
| Equivalent Series Resistance (ESR)                               | 50          | Ω Max   | 1     |
| Shunt Capacitance (C <sub>0</sub> )                              | 7           | pF Max  | 1     |
| Load Capacitance (C <sub>L</sub> )                               | 8           | pF Max  | 1     |
| Drive Level  | 0.3         | mW Max  | 1     |
| Aging per year   | ±5          | PPM Max | 1     |

**Notes:**

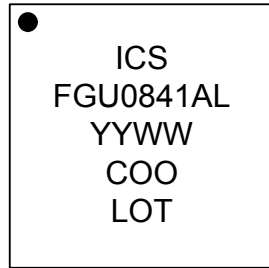
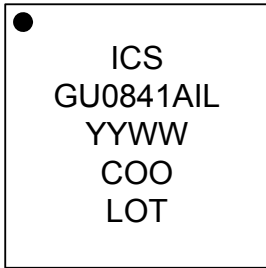
1. FOX 603-25-150.
2. For I-temp, FOX 603-25-261.

## Thermal Characteristics

| PARAMETER          | SYMBOL         | CONDITIONS                      | PKG   | TYP. | UNITS | NOTES |
|--------------------|----------------|---------------------------------|-------|------|-------|-------|
| Thermal Resistance | $\theta_{JC}$  | Junction to Case                | NDG48 | 33   | °C/W  | 1     |
|                    | $\theta_{Jb}$  | Junction to Base                |       | 2.1  | °C/W  | 1     |
|                    | $\theta_{JA0}$ | Junction to Air, still air      |       | 37   | °C/W  | 1     |
|                    | $\theta_{JA1}$ | Junction to Air, 1 m/s air flow |       | 30   | °C/W  | 1     |
|                    | $\theta_{JA3}$ | Junction to Air, 3 m/s air flow |       | 27   | °C/W  | 1     |
|                    | $\theta_{JA5}$ | Junction to Air, 5 m/s air flow |       | 26   | °C/W  | 1     |

<sup>1</sup>ePad soldered to board

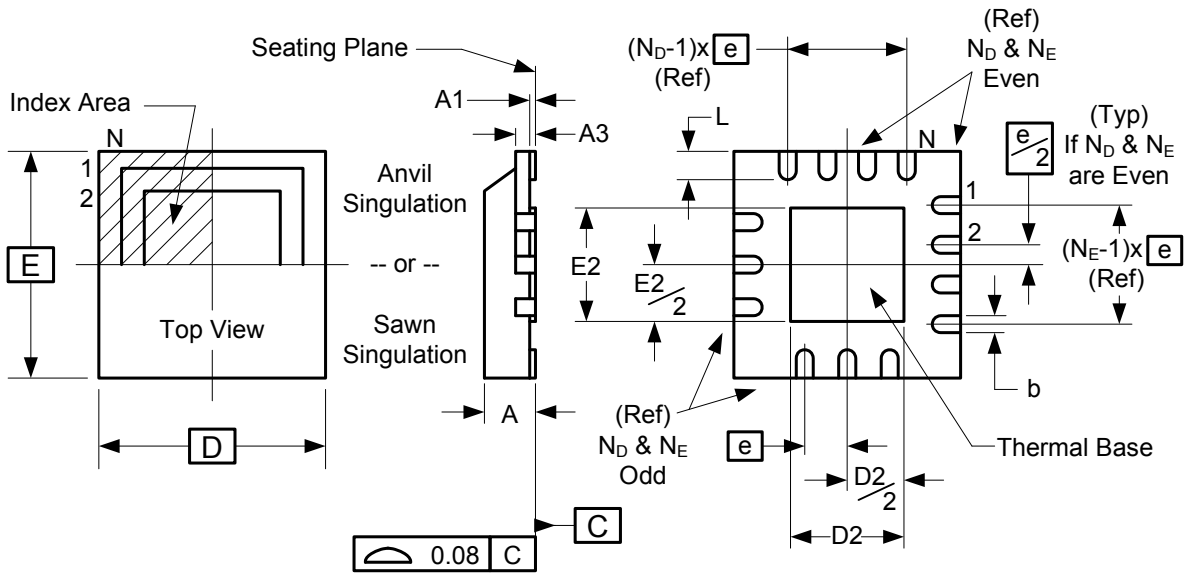
## Marking Diagrams



### Notes:

- Line 2 is the truncated part number.
- 'L' denotes RoHS compliant package.
- 'I' denotes industrial temperature grade.
- 'YYWW' is the last two digits of the year and week that the part was assembled.
- 'COO' denotes country of origin.
- 'LOT' is the lot number.

## Package Outline and Package Dimensions (NDG48, 48-pin VFQFPN)



| Symbol       | Millimeters    |      |
|--------------|----------------|------|
|              | Min            | Max  |
| A            | 0.8            | 1.0  |
| A1           | 0              | 0.05 |
| A3           | 0.20 Reference |      |
| b            | 0.18           | 0.3  |
| e            | 0.40 BASIC     |      |
| D x E BASIC  | 6.00 x 6.00    |      |
| D2 MIN./MAX. | 3.95           | 4.25 |
| E2 MIN./MAX. | 3.95           | 4.25 |
| L MIN./MAX.  | 0.30           | 0.50 |
| $N_D$        | 12             |      |
| $N_E$        | 12             |      |

## Ordering Information

| Part / Order Number | Shipping Packaging | Package       | Temperature   |
|---------------------|--------------------|---------------|---------------|
| 9FGU0841AKLF        | Trays              | 48-pin VFQFPN | 0 to +70° C   |
| 9FGU0841AKLFT       | Tape and Reel      | 48-pin VFQFPN | 0 to +70° C   |
| 9FGU0841AKILF       | Trays              | 48-pin VFQFPN | -40 to +85° C |
| 9FGU0841AKLIFT      | Tape and Reel      | 48-pin VFQFPN | -40 to +85° C |

“LF” to the suffix are the Pb-Free configuration and are RoHS compliant.

“A” is the device revision designator (will not correlate to with the datasheet revision).

## Revision History

| Rev. | Issue Date | Initiator | Description  | Page #  |
|------|------------|-----------|--|---------|
| A    | 9/24/2014  | RDW       | 1. Updated electrical tables with latest and last versions for release<br>2. Updated SMBus nomenclature for consistency with the family<br>3. Removed references to Suspend Mode – and the Suspend Rail. This is replaced by Power Down with Wake-on-LAN modes in the current consumption table.<br>4. Updated GenDes tab for front page consistency.<br>5. Move to final. | Various |
| B    | 8/14/2015  | RDW       | Corrected typo in ordering information   | 14      |
| C    | 10/18/2016 | RDW       | Removed IDT crystal part number  |         |



**Corporate Headquarters**  
6024 Silver Creek Valley Road  
San Jose, CA 95138 USA

**Sales**  
1-800-345-7015 or 408-284-8200  
Fax: 408-284-2775  
www.IDT.com

**Tech Support**  
email: [clocks@idt.com](mailto:clocks@idt.com)

DISCLAIMER Integrated Device Technology, Inc. (IDT) and its subsidiaries reserve the right to modify the products and/or specifications described herein at any time and at IDT's sole discretion. All information in this document, including descriptions of product features and performance, is subject to change without notice. Performance specifications and the operating parameters of the described products are determined in the independent state and are not guaranteed to perform the same way when installed in customer products. The information contained herein is provided without representation or warranty of any kind, whether express or implied, including, but not limited to, the suitability of IDT's products for any particular purpose, an implied warranty of merchantability, or non-infringement of the intellectual property rights of others. This document is presented only as a guide and does not convey any license under intellectual property rights of IDT or any third parties.

IDT's products are not intended for use in applications involving extreme environmental conditions or in life support systems or similar devices where the failure or malfunction of an IDT product can be reasonably expected to significantly affect the health or safety of users. Anyone using an IDT product in such a manner does so at their own risk, absent an express, written agreement by IDT.

Integrated Device Technology, IDT and the IDT logo are registered trademarks of IDT. Product specification subject to change without notice. Other trademarks and service marks used herein, including protected names, logos and designs, are the property of IDT or their respective third party owners.

Copyright ©2016 Integrated Device Technology, Inc.. All rights reserved.



Компания «Океан Электроники» предлагает заключение долгосрочных отношений при поставках импортных электронных компонентов на взаимовыгодных условиях!

Наши преимущества:

- Поставка оригинальных импортных электронных компонентов напрямую с производств Америки, Европы и Азии, а так же с крупнейших складов мира;
- Широкая линейка поставок активных и пассивных импортных электронных компонентов (более 30 млн. наименований);
- Поставка сложных, дефицитных, либо снятых с производства позиций;
- Оперативные сроки поставки под заказ (от 5 рабочих дней);
- Экспресс доставка в любую точку России;
- Помощь Конструкторского Отдела и консультации квалифицированных инженеров;
- Техническая поддержка проекта, помощь в подборе аналогов, поставка прототипов;
- Поставка электронных компонентов под контролем ВП;
- Система менеджмента качества сертифицирована по Международному стандарту ISO 9001;
- При необходимости вся продукция военного и аэрокосмического назначения проходит испытания и сертификацию в лаборатории (по согласованию с заказчиком);
- Поставка специализированных компонентов военного и аэрокосмического уровня качества (Xilinx, Altera, Analog Devices, Intersil, Interpoint, Microsemi, Actel, Aeroflex, Peregrine, VPT, Syfer, Eurofarad, Texas Instruments, MS Kennedy, Miteq, Cobham, E2V, MA-COM, Hittite, Mini-Circuits, General Dynamics и др.);

Компания «Океан Электроники» является официальным дистрибьютором и эксклюзивным представителем в России одного из крупнейших производителей разъемов военного и аэрокосмического назначения «JONHON», а так же официальным дистрибьютором и эксклюзивным представителем в России производителя высокотехнологичных и надежных решений для передачи СВЧ сигналов «FORSTAR».



## JONHON

«JONHON» (основан в 1970 г.)

Разъемы специального, военного и аэрокосмического назначения:

(Применяются в военной, авиационной, аэрокосмической, морской, железнодорожной, горно- и нефтедобывающей отраслях промышленности)

«FORSTAR» (основан в 1998 г.)

ВЧ соединители, коаксиальные кабели, кабельные сборки и микроволновые компоненты:

(Применяются в телекоммуникациях гражданского и специального назначения, в средствах связи, РЛС, а так же военной, авиационной и аэрокосмической отраслях промышленности).



Телефон: 8 (812) 309-75-97 (многоканальный)

Факс: 8 (812) 320-03-32

Электронная почта: [ocean@oceanchips.ru](mailto:ocean@oceanchips.ru)

Web: <http://oceanchips.ru/>

Адрес: 198099, г. Санкт-Петербург, ул. Калинина, д. 2, корп. 4, лит. А