

## GW JCLPS2.EM



The DURIS® E 3 combines high efficacy and a wide beam angle into a compact format (3.0 mm x 1.4 mm). This is key to homogeneous illumination applications where the DURIS® E 3 never fails to impress with its performance on system level.

Die DURIS® E 3 kombiniert hohe Effizienz und einen weiten Abstrahlwinkel in einer kompakten Bauform (3,0 mm x 1,4 mm). Speziell für Anwendungen mit besonders homogener Lichtverteilung kann die DURIS® E 3 mit ihrer Leistung auf Systemebene überzeugen.

### Features:

- **Package:** white SMT package, colored diffused silicone resin
- **Viewing angle at 50 % I<sub>V</sub>:** 120°
- **Color:** 2000 K - 6500 K (warm, neutral and cool white)
- **CRI:** min. 80
- **Luminous Flux:** typ. 31.5 lm @ 5000 K
- **Luminous efficacy:** typ. 159 lm/W @ 5000 K

### Besondere Merkmale:

- **Gehäusetyp:** weißes SMT Gehäuse, farbiger diffuser Silikon-Verguss
- **Abstrahlwinkel bei 50 % I<sub>V</sub>:** 120°
- **Farbe:** 2000 K - 6500 K (warm, neutral and cool white)
- **CRI:** min. 80
- **Lichtstrom:** typ. 31.5 lm @ 5000 K
- **Lichtausbeute:** typ. 159 lm/W @ 5000 K

### Applications

- Indoor General Lighting
- Task lights
- Retrofits and fixtures
- Linear lights

### Anwendungen

- Innen-Allgemeinbeleuchtung
- Schreibtischleuchten
- Retrofits
- Linearbeleuchtung

**Ordering Information**  
**Bestellinformation**

Type:	Color Temperature	Luminous Flux	Ordering Code
Typ:	Farbtemperatur	Lichtstrom	Bestellnummer
	[K]	$I_F = 65 \text{ mA}$ $\Phi_V$ [lm]	
GW JCLPS2.EM-GQGS-A11311-1-65-R33	2000	19... 24	Q65112A4459
GW JCLPS2.EM-GTHP-A10310-1-65-R33	2200	24... 30.4	Q65112A4460
GW JCLPS2.EM-GTHP-A939-1-65-R33	2500	24... 30.4	Q65112A4461
GW JCLPS2.EM-GUHQ-A838-1-65-R33	2700	25.9... 33	Q65112A4655
GW JCLPS2.EM-GUHQ-XX58-1-65-R33	2700	25.9... 33	Q65112A4638
GW JCLPS2.EM-GUHQ-A737-1-65-R33	3000	25.9 ... 33	Q65112A3733
GW JCLPS2.EM-GUHQ-XX57-1-65-R33	3000	25.9 ... 33	Q65112A3750
GW JCLPS2.EM-HPHR-A636-1-65-R33	3500	25.9 ... 33	Q65112A4639
GW JCLPS2.EM-HPHR-XX56-1-65-R33	3500	25.9 ... 33	Q65112A4634
GW JCLPS2.EM-HPHR-A535-1-65-R33	4000	28 ... 35.9	Q65112A3748
GW JCLPS2.EM-HPHR-XX55-1-65-R33	4000	28 ... 35.9	Q65112A3749
GW JCLPS2.EM-HPHR-A333-1-65-R33	5000	28 ... 35.9	Q65112A3755
GW JCLPS2.EM-HPHR-XX53-1-65-R33	5000	28 ... 35.9	Q65112A3732
GW JCLPS2.EM-HPHR-A232-1-65-R33	5700	28 ... 35.9	Q65112A4637
GW JCLPS2.EM-HPHR-XX52-1-65-R33	5700	28 ... 35.9	Q65112A4635
GW JCLPS2.EM-HPHR-A131-1-65-R33	6500	28 ... 35.9	Q65112A3766
GW JCLPS2.EM-HPHR-XX51-1-65-R33	6500	28 ... 35.9	Q65112A3754

**Note:** The above Type Numbers represent the order groups which include only a few brightness groups (see page 5). Only one group will be shipped on each packing unit (there will be no mixing of two groups on each packing unit). E. g. GW JCLPS2.EM-GTHP-XX58-1 means that only one group GT, GU, HP will be shippable for any packing unit.

In a similar manner for colors where color chromaticity coordinate groups are measured and binned, single groups will be shipped on any one packing unit. GW JCLPS2.EM-GTHP-XX58-1 means that the device will be shipped within the specified limits.

In a similar manner for colors where forward voltage groups are measured and binned, single forward voltage groups will be shipped on any packing unit. E. g. GW JCLPS2.EM-GTHP-XX58-1 means that only one forward voltage group L1,L2,M1,M2,N1,N2 will be shippable.

**Anm.:** Die oben genannten Typbezeichnungen umfassen die bestellbaren Selektionen. Diese bestehen aus wenigen Helligkeitsgruppen (siehe Seite 5). Es wird nur eine einzige Helligkeitsgruppe pro Verpackungseinheit geliefert. Z. B. GW JCLPS2.EM-GTHP-XX58-1 bedeutet, dass in einer Verpackungseinheit nur eine der Helligkeitsgruppen GT, GU, HP enthalten ist.

Gleiches gilt für die Farben, bei denen Farbortgruppen gemessen und gruppiert werden. Pro Verpackungseinheit wird nur eine Farbortgruppe geliefert. Z.B. GW JCLPS2.EM-GTHP-XX58-1 bedeutet, dass in einer Verpackungseinheit nur eine der Farbortgruppen enthalten ist. GW JCLPS2.EM-GTHP-XX58-1 bedeutet, dass das Bauteil innerhalb der spezifizierten Grenzen geliefert wird.

Gleiches gilt für die LEDs, bei denen die Durchlassspannungsgruppen gemessen und gruppiert werden. Pro Verpackungseinheit wird nur eine Durchlassspannungsgruppe geliefert. Z. B. GW JCLPS2.EM-GTHP-XX58-1 bedeutet, dass nach Durchlassspannungsgruppen gruppiert wird. In einer Verpackungseinheit ist nur eine der Durchlassspannungsgruppen L1,L2,M1,M2,N1,N2 enthalten (siehe Seite 5).

**Maximum Ratings**  
**Grenzwerte**

Parameter Bezeichnung	Symbol Symbol	Values Werte	Unit Einheit
Operating temperature range Betriebstemperatur	$T_{op}$	-40 ... 100	°C
Storage temperature range Lagertemperatur	$T_{stg}$	-40 ... 100	°C
Junction temperature Sperrschichttemperatur	$T_j$	120	°C
Forward current Durchlassstrom ( $T_S = 25\text{ °C}$ )	$I_F$	150	mA
Surge current Stoßstrom ( $t \leq 10\ \mu\text{s}$ ; $D = 0.005$ ; $T_S = 25\text{ °C}$ )	$I_{FM}$	200	mA
Reverse voltage <sup>2) page 23</sup> Sperrspannung <sup>2) Seite 23</sup> ( $T_S = 25\text{ °C}$ )	$V_R$	5	V
ESD withstand voltage ESD Festigkeit (acc. to ANSI/ESDA/JEDEC JS-001 - HBM, Class 2)	$V_{ESD}$	2	kV

Characteristics ( $T_S = 25\text{ °C}$ ;  $I_F = 65\text{ mA}$ )

**Kennwerte**

Parameter Bezeichnung	Symbol Symbol	Values Werte	Unit Einheit
Viewing angle at 50 % $I_V$ Abstrahlwinkel bei 50 % $I_V$ (typ.)	$2\phi$	120	°
Forward voltage <sup>3) page 23</sup> Durchlassspannung <sup>3) Seite 23</sup> (min.)	$V_F$	2.80	V
(typ.)	$V_F$	3.05	V
(max.)	$V_F$	3.30	V
Reverse current Sperrstrom	$I_R$	not designed for reverse operation	
Color rendering index <sup>4) page 23</sup> Farbwiedergabe Index <sup>4) Seite 23</sup> (min.) (2700K - 6500K)	$R_a$	80	-
"Electrical" thermal resistance junction / solder point (typ.) <sup>5) page 23</sup> "Elektrischer" Wärmewiderstand Sperrschicht / Löt pad <sup>5) Seite 23</sup> (with efficiency $\eta_e = 44\%$ )	$R_{th\,JS\,el}$	24	K/W

Note: Individual forward voltage groups see next page

Anm.: Durchlassspannungsgruppen siehe nächste Seite

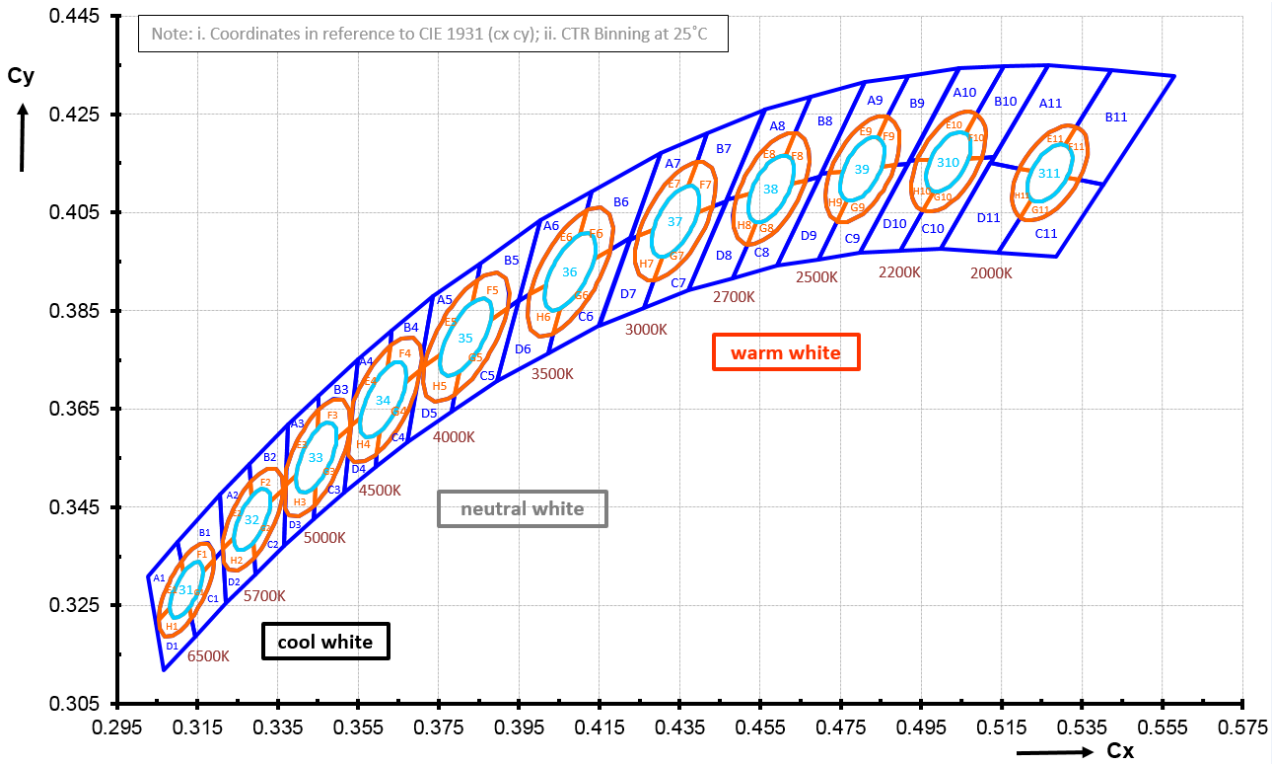
**Brightness Groups**  
**Helligkeitsgruppen**

<b>Group</b>	<b>Luminous Flux</b> <sup>1) page 23</sup>	<b>Luminous Flux</b> <sup>1) page 23</sup>
<b>Gruppe</b>	<b>Lichtstrom</b> <sup>1) Seite 23</sup>	<b>Lichtstrom</b> <sup>1) Seite 23</sup>
	(min.) $\Phi_V$ [lm]	(max.) $\Phi_V$ [lm]
GQ	19000	21000
GR	21000	22400
GS	22400	24000
GT	24000	25900
GU	25900	28000
HP	28000	30400
HQ	30400	33000
HR	33000	35900

**Forward Voltage Groups** <sup>3) page 23</sup>  
**Durchlassspannungsgruppen** <sup>3) Seite 23</sup>

<b>Group</b>		
<b>Gruppe</b>	(min.) $V_F$ [V]	(max.) $V_F$ [V]
L1	2.80	2.90
L2	2.90	3.00
M1	3.00	3.10
M2	3.10	3.20
N1	3.20	3.30

Chromaticity Coordinate Groups <sup>7)</sup> page 23  
 Farbortgruppen <sup>7)</sup> Seite 23



**Color Chromaticity Groups** <sup>7) page 23</sup>  
**Farbortgruppen** <sup>7) Seite 23</sup>

CCTs	Center		3Step		5Step		Ø
	Cx	Cy	a	b	a	b	
2000K	0.5270	0.4130	0.0071	0.0040	0.0118	0.0066	43.6
2200K	0.5020	0.4156	0.0072	0.0040	0.0120	0.0067	39.9
2500K	0.4804	0.4138	0.0076	0.0041	0.0126	0.0068	53.1
2700K	0.4577	0.4098	0.008	0.0041	0.0133	0.0068	54.1
3000K	0.4339	0.4032	0.0086	0.0042	0.0142	0.0069	53.7
3500K	0.4077	0.3929	0.0093	0.0042	0.0155	0.0069	53.9
4000K	0.3818	0.3796	0.0094	0.0041	0.0157	0.0068	53.4
4500K	0.3613	0.3669	0.0089	0.0038	0.0148	0.0063	57.0
5000K	0.3446	0.3551	0.0081	0.0035	0.0135	0.0059	59.8
5700K	0.3287	0.3425	0.0072	0.0032	0.0119	0.0052	58.8
6500K	0.3123	0.3282	0.0066	0.0027	0.011	0.0045	58.1

2000K	1		2		3		4		5	
Bin	Cx	Cy	Cx	Cy	Cx	Cy	Cx	Cy	Cx	Cy
A	0.5423	0.4339	0.5265	0.4350	0.5423	0.4339	0.5194	0.4139	0.5336	0.4224
B	0.5423	0.4339	0.5580	0.4328	0.5403	0.4107	0.5343	0.4116	0.5336	0.4224
C	0.5403	0.4107	0.5285	0.3959	0.5142	0.3967	0.5196	0.4040	0.5343	0.4116
D	0.5196	0.4040	0.5194	0.4139	0.5123	0.4150	0.4998	0.3975	0.5142	0.3967
E	0.5336	0.4224	0.5194	0.4139	0.5224	0.4134	0.5308	0.4187	NA	NA
F	0.5336	0.4224	0.5343	0.4116	0.5313	0.4121	0.5308	0.4187	NA	NA
G	0.5343	0.4116	0.5196	0.4040	0.5224	0.4077	0.5313	0.4121	NA	NA
H	0.5224	0.4077	0.5224	0.4134	0.5194	0.4139	0.5196	0.4040	NA	NA

2200K	1		2		3		4		5	
Bin	Cx	Cy	Cx	Cy	Cx	Cy	Cx	Cy	Cx	Cy
A	0.5155	0.4347	0.5044	0.4344	0.4921	0.4156	0.4941	0.4156	0.5088	0.4249
B	0.5155	0.4347	0.5265	0.4350	0.5132	0.4163	0.5101	0.4161	0.5088	0.4249
C	0.5132	0.4163	0.4998	0.3975	0.4898	0.3971	0.4955	0.4054	0.5101	0.4161
D	0.4955	0.4054	0.4941	0.4156	0.4921	0.4156	0.4798	0.3967	0.4898	0.3971
E	0.5088	0.4249	0.4941	0.4156	0.4973	0.4157	0.5061	0.4210	NA	NA
F	0.5088	0.4249	0.5101	0.4161	0.5068	0.4160	0.5061	0.4210	NA	NA
G	0.5101	0.4161	0.4955	0.4054	0.4981	0.4093	0.5068	0.4158	NA	NA
H	0.4981	0.4093	0.4973	0.4157	0.4941	0.4156	0.4955	0.4054	NA	NA

2500K	1		2		3		4		5	
Bin	Cx	Cy	Cx	Cy	Cx	Cy	Cx	Cy	Cx	Cy
A	0.4917	0.4328	0.4811	0.4315	0.4701	0.4128	0.4723	0.4130	0.4867	0.4245
B	0.4917	0.4328	0.5044	0.4344	0.4917	0.4149	0.4885	0.4146	0.4867	0.4245
C	0.4917	0.4149	0.4798	0.3967	0.4695	0.3954	0.4741	0.4031	0.4885	0.4146
D	0.4741	0.4031	0.4723	0.4130	0.4701	0.4128	0.4591	0.3941	0.4695	0.3954
E	0.4867	0.4245	0.4723	0.4130	0.4755	0.4133	0.4842	0.4202	NA	NA
F	0.4867	0.4245	0.4885	0.4146	0.4853	0.4143	0.4842	0.4202	NA	NA
G	0.4885	0.4146	0.4741	0.4031	0.4766	0.4074	0.4853	0.4143	NA	NA
H	0.4766	0.4074	0.4755	0.4133	0.4723	0.4130	0.4741	0.4031	NA	NA

2700K	1		2		3		4		5	
Bin	Cx	Cy	Cx	Cy	Cx	Cy	Cx	Cy	Cx	Cy
A	0.4675	0.4285	0.4561	0.4259	0.4467	0.4076	0.4491	0.4081	0.4637	0.4212
B	0.4675	0.4285	0.4811	0.4315	0.4698	0.4123	0.4663	0.4115	0.4637	0.4212
C	0.4698	0.4123	0.4591	0.3941	0.4482	0.3917	0.4517	0.3984	0.4663	0.4115
D	0.4517	0.3984	0.4491	0.4081	0.4467	0.4076	0.4372	0.3892	0.4482	0.3917
E	0.4637	0.4212	0.4491	0.4081	0.4526	0.4088	0.4613	0.4166	NA	NA
F	0.4637	0.4212	0.4663	0.4115	0.4628	0.4108	0.4613	0.4166	NA	NA
G	0.4663	0.4115	0.4517	0.3984	0.4541	0.4030	0.4628	0.4108	NA	NA
H	0.4541	0.4030	0.4526	0.4088	0.4491	0.4081	0.4517	0.3984	NA	NA

3000K	1		2		3		4		5	
Bin	Cx	Cy	Cx	Cy	Cx	Cy	Cx	Cy	Cx	Cy
A	0.4418	0.4211	0.4302	0.4171	0.4226	0.3995	0.4246	0.4002	0.4393	0.4153
B	0.4418	0.4211	0.4561	0.4259	0.4465	0.4073	0.4432	0.4062	0.4393	0.4153
C	0.4465	0.4073	0.4372	0.3892	0.4261	0.3856	0.4285	0.3911	0.4432	0.4062
D	0.4285	0.3911	0.4246	0.4002	0.4226	0.3995	0.4149	0.3819	0.4261	0.3856
E	0.4393	0.4153	0.4246	0.4002	0.4283	0.4014	0.4371	0.4105	NA	NA
F	0.4393	0.4153	0.4432	0.4062	0.4395	0.4050	0.4371	0.4105	NA	NA
G	0.4432	0.4062	0.4285	0.3911	0.4307	0.3960	0.4395	0.4050	NA	NA
H	0.4307	0.3960	0.4283	0.4014	0.4246	0.4002	0.4285	0.3911	NA	NA

3500K	1		2		3		4		5	
Bin	Cx	Cy	Cx	Cy	Cx	Cy	Cx	Cy	Cx	Cy
A	0.4131	0.4093	0.4003	0.4034	0.3949	0.3871	0.3977	0.3883	0.4118	0.4054
B	0.4131	0.4093	0.4302	0.4171	0.4227	0.3997	0.4177	0.3975	0.4118	0.4054
C	0.4227	0.3997	0.4149	0.3819	0.4022	0.3763	0.4036	0.3804	0.4177	0.3975
D	0.4036	0.3804	0.3977	0.3883	0.3949	0.3871	0.3895	0.3707	0.4022	0.3763
E	0.4118	0.4054	0.3977	0.3883	0.4017	0.3902	0.4102	0.4004	NA	NA
F	0.4118	0.4054	0.4177	0.3975	0.4137	0.3957	0.4102	0.4004	NA	NA
G	0.4177	0.3975	0.4036	0.3804	0.4052	0.3854	0.4137	0.3957	NA	NA
H	0.4052	0.3854	0.4017	0.3902	0.3977	0.3883	0.4036	0.3804	NA	NA

4000K	1		2		3		4		5	
Bin	Cx	Cy	Cx	Cy	Cx	Cy	Cx	Cy	Cx	Cy
A	0.3853	0.3947	0.3737	0.3879	0.3704	0.3731	0.3714	0.3737	0.3845	0.3913
B	0.3853	0.3947	0.4003	0.4034	0.3949	0.3871	0.3922	0.3855	0.3845	0.3913
C	0.3949	0.3871	0.3895	0.3707	0.3783	0.3645	0.3791	0.3679	0.3922	0.3855
D	0.3791	0.3679	0.3714	0.3737	0.3704	0.3731	0.3671	0.3583	0.3783	0.3645
E	0.3845	0.3913	0.3714	0.3737	0.3756	0.3760	0.3834	0.3866	NA	NA
F	0.3845	0.3913	0.3922	0.3855	0.3880	0.3832	0.3834	0.3866	NA	NA
G	0.3922	0.3855	0.3791	0.3679	0.3802	0.3726	0.3880	0.3832	NA	NA
H	0.3802	0.3726	0.3756	0.3760	0.3714	0.3737	0.3791	0.3679	NA	NA



5000K	1		2		3		4		5	
Bin	Cx	Cy	Cx	Cy	Cx	Cy	Cx	Cy	Cx	Cy
A	0.3452	0.3678	0.3375	0.3619	0.3372	0.3528	0.3451	0.3648	NA	NA
B	0.3452	0.3678	0.3550	0.3752	0.3532	0.3614	0.3530	0.3612	0.3451	0.3648
C	0.3532	0.3614	0.3514	0.3480	0.3440	0.3426	0.3441	0.3454	0.3530	0.3612
D	0.3441	0.3454	0.3369	0.3445	0.3366	0.3372	0.3440	0.3426	NA	NA
E	0.3451	0.3648	0.3372	0.3528	0.3371	0.3496	0.3396	0.3514	0.3449	0.3609
F	0.3451	0.3648	0.3530	0.3612	0.3496	0.3588	0.3449	0.3609	NA	NA
G	0.3530	0.3612	0.3441	0.3454	0.3443	0.3493	0.3496	0.3588	NA	NA
H	0.3443	0.3493	0.3396	0.3514	0.3371	0.3496	0.3369	0.3445	0.3441	0.3454

5700K	1		2		3		4		5	
Bin	Cx	Cy	Cx	Cy	Cx	Cy	Cx	Cy	Cx	Cy
A	0.3280	0.3539	0.3205	0.3475	0.3212	0.3373	0.3283	0.3502	NA	NA
B	0.3280	0.3539	0.3375	0.3619	0.3370	0.3493	0.3363	0.3486	0.3283	0.3502
C	0.3370	0.3493	0.3366	0.3372	0.3294	0.3314	0.3291	0.3348	0.3363	0.3486
D	0.3291	0.3348	0.3215	0.3337	0.3221	0.3255	0.3294	0.3314	NA	NA
E	0.3283	0.3502	0.3212	0.3373	0.3213	0.3365	0.3242	0.3388	0.3284	0.3471
F	0.3283	0.3502	0.3363	0.3486	0.3332	0.3462	0.3284	0.3471	NA	NA
G	0.3363	0.3486	0.3291	0.3348	0.3290	0.3379	0.3332	0.3462	NA	NA
H	0.3291	0.3348	0.3215	0.3337	0.3213	0.3365	0.3242	0.3388	0.3290	0.3379

6500K	1		2		3		4		5	
Bin	Cx	Cy	Cx	Cy	Cx	Cy	Cx	Cy	Cx	Cy
A	0.3102	0.3379	0.3027	0.3310	0.3047	0.3214	0.3054	0.3220	0.3110	0.3340
B	0.3102	0.3379	0.3205	0.3475	0.3213	0.3363	0.3192	0.3344	0.3110	0.3340
C	0.3213	0.3363	0.3221	0.3255	0.3144	0.3187	0.3136	0.3224	0.3192	0.3344
D	0.3136	0.3224	0.3054	0.3220	0.3047	0.3214	0.3067	0.3118	0.3144	0.3187
E	0.3110	0.3340	0.3054	0.3220	0.3082	0.3245	0.3115	0.3317	NA	NA
F	0.3110	0.3340	0.3192	0.3344	0.3165	0.3319	0.3115	0.3317	NA	NA
G	0.3192	0.3344	0.3136	0.3224	0.3131	0.3247	0.3165	0.3319	NA	NA
H	0.3136	0.3224	0.3054	0.3220	0.3082	0.3245	0.3131	0.3247	NA	NA

**Group Name on Label****Gruppenbezeichnung auf Etikett**

Example: GT-31-L1

Beispiel: GT-31-L1

Brightness Helligkeit	Chromaticity Coordinate Farbort	Forward Voltage Durchlassspannung
GT	31	L1

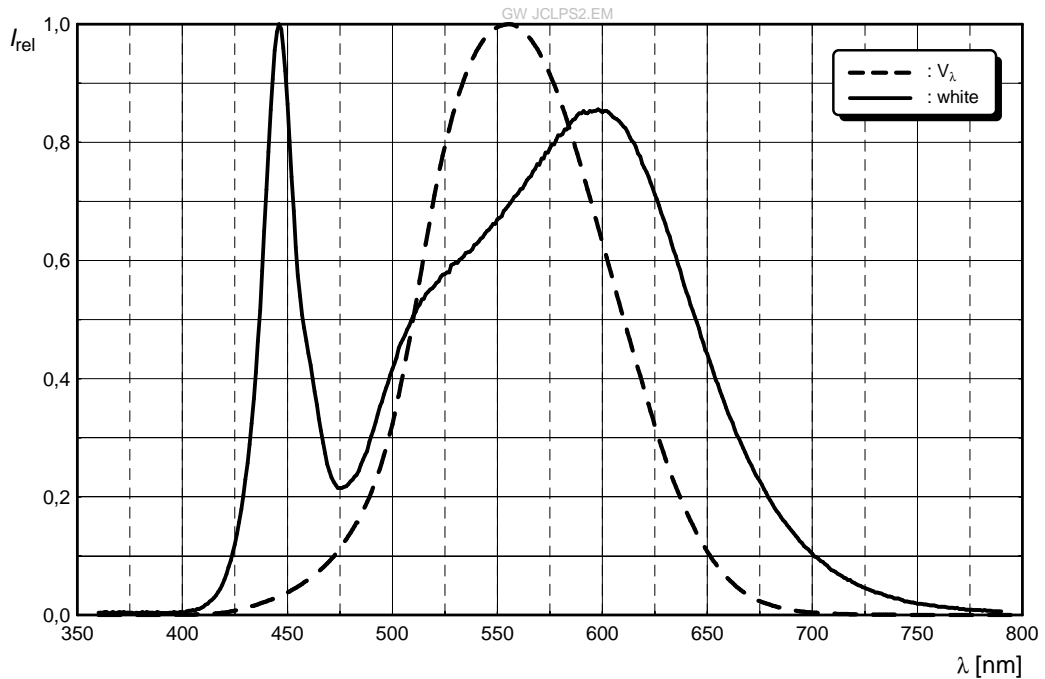
Note: No packing unit / tape ever contains more than one group for each selection.

Anm.: In einer Verpackungseinheit / Gurt ist immer nur eine Gruppe für jede Selektion enthalten.

Relative Spectral Emission -  $V(\lambda) = \text{Standard eye response curve}$  <sup>6) page 23</sup>

Relative spektrale Emission -  $V(\lambda) = \text{spektrale Augenempfindlichkeit}$  <sup>6) Seite 23</sup>

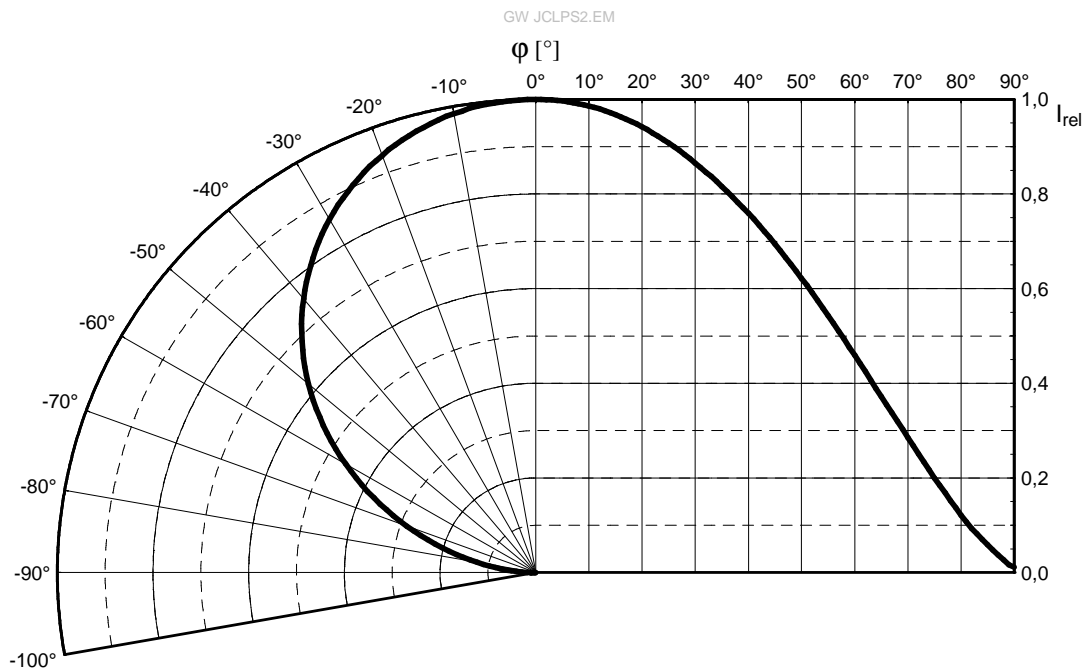
$\Phi_{rel} = f(\lambda)$ ;  $T_S = 25\text{ }^\circ\text{C}$ ;  $I_F = 65\text{ mA}$



Radiation Characteristics <sup>6) page 23</sup>

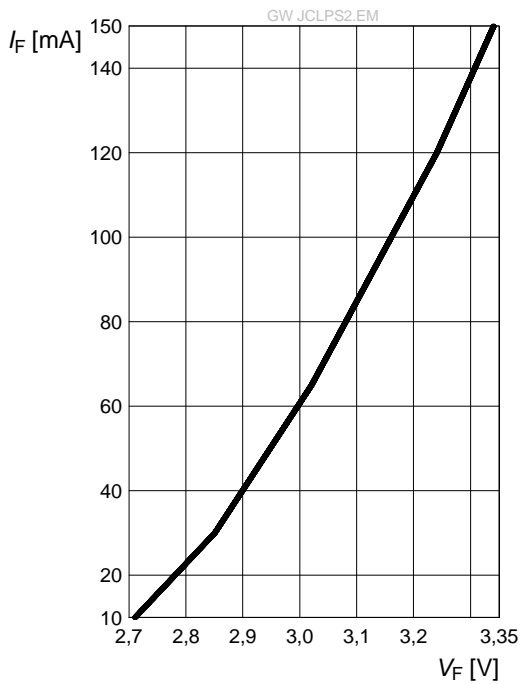
Abstrahlcharakteristik <sup>6) Seite 23</sup>

$I_{rel} = f(\phi)$ ;  $T_S = 25\text{ }^\circ\text{C}$



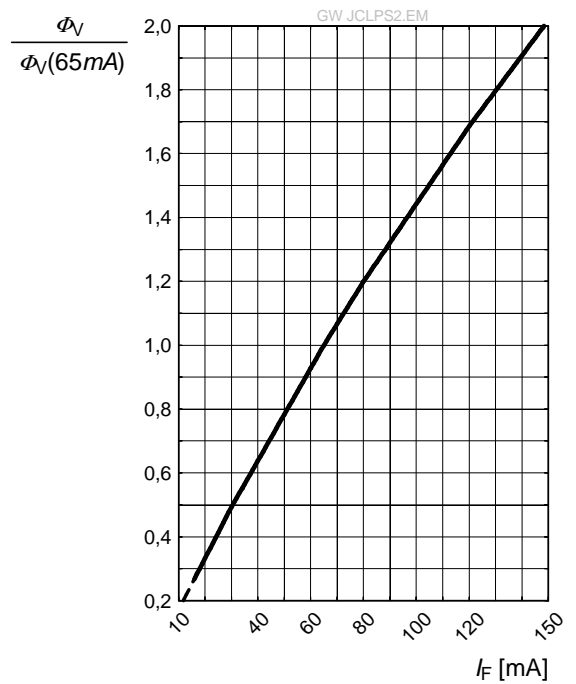
**Forward Current** 6) page 23 , 8) page 23  
**Durchlassstrom** 6) Seite 23 , 8) Seite 23

$I_F = f(V_F); T_S = 25\text{ }^\circ\text{C}$



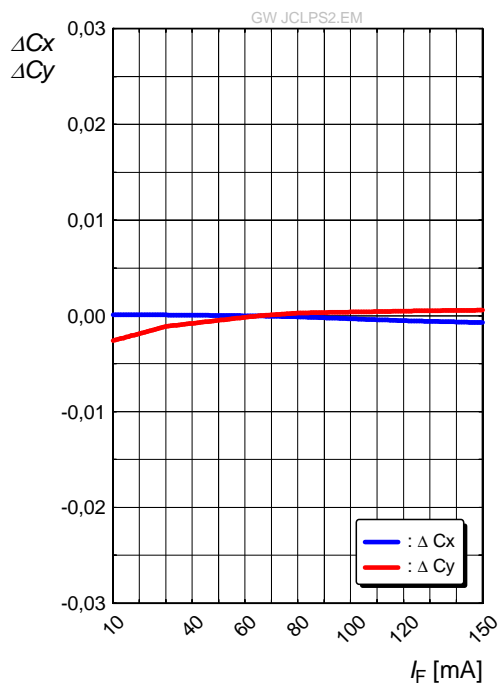
**Relative Luminous Flux** 6) page 23 , 8) page 23  
**Relativer Lichtstrom** 6) Seite 23 , 8) Seite 23

$\Phi_V/\Phi_V(65\text{ mA}) = f(I_F); T_S = 25\text{ }^\circ\text{C}$



**Chromaticity Coordinate Shift** 6) page 23  
**Farbortverschiebung** 6) Seite 23

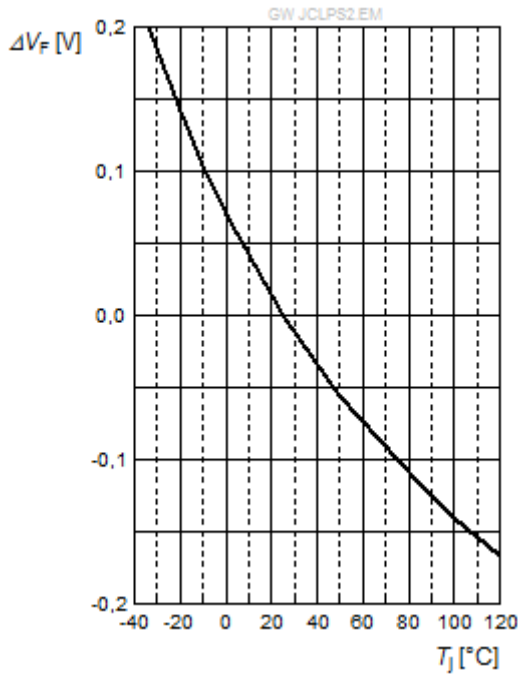
$\Delta C_x, \Delta C_y = f(I_F); T_S = 25\text{ }^\circ\text{C}$



**Relative Forward Voltage** <sup>6) page 23</sup>

**Relative Vorwärtsspannung** <sup>6) Seite 23</sup>

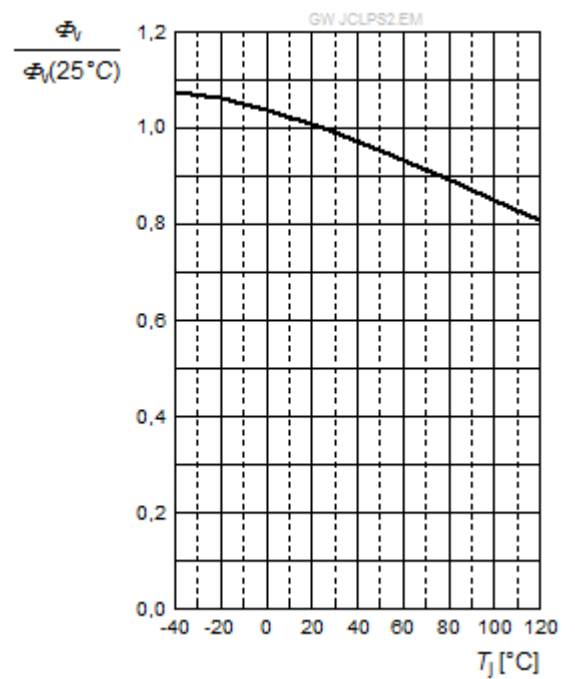
$\Delta V_F = V_F - V_F(25\text{ °C}) = f(T_j); I_F = 65\text{ mA}$



**Relative Luminous Flux** <sup>6) page 23</sup>

**Relativer Lichtstrom** <sup>6) Seite 23</sup>

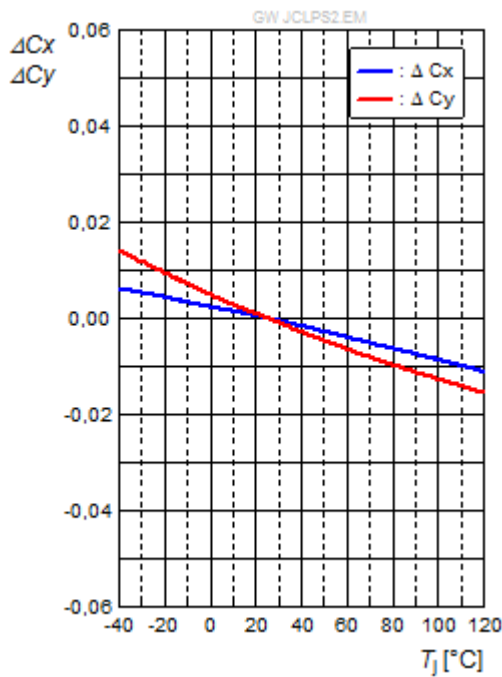
$\Phi_V / \Phi_V(25\text{ °C}) = f(T_j); I_F = 65\text{ mA}$



**Chromaticity Coordinate Shift** <sup>6) page 23</sup>

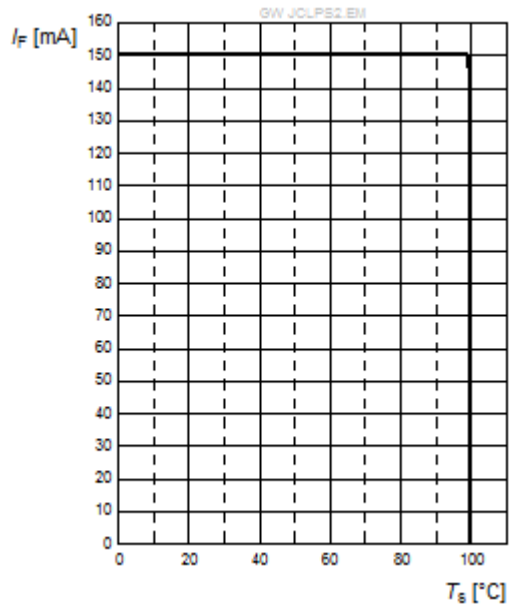
**Farbortverschiebung** <sup>6) Seite 23</sup>

$\Delta C_x, \Delta C_y = f(T_j); I_F = 65\text{ mA}$

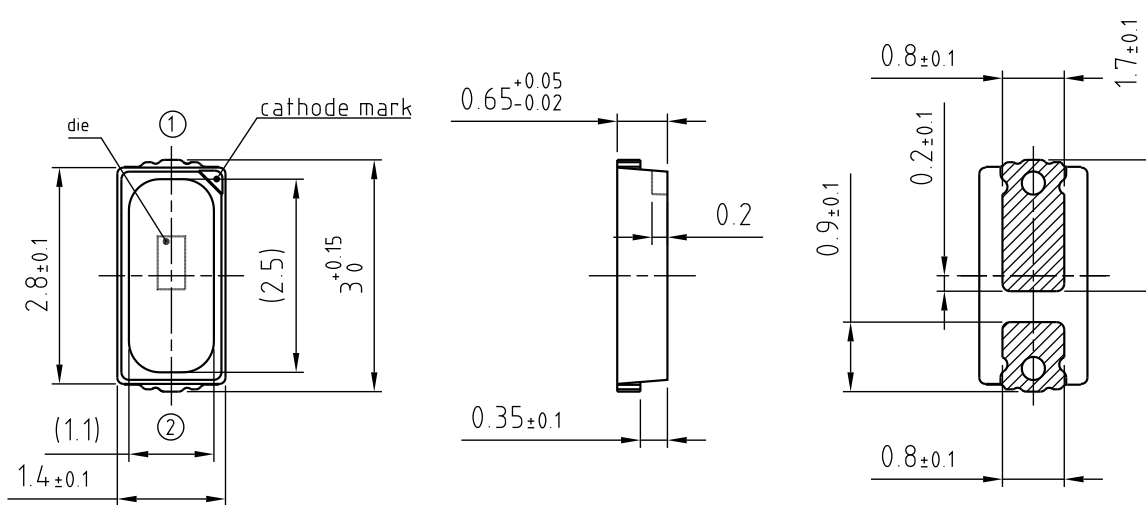


Max. Permissible Forward Current  
Max. zulässiger Durchlassstrom

$$I_F = f(T)$$



Package Outline <sup>9) page 23</sup>  
 Maßzeichnung <sup>9) Seite 23</sup>



General tolerance  $\pm 0.1$   
 lead finish Ag 

C67062-A0186-A1-01

**Approximate Weight:**

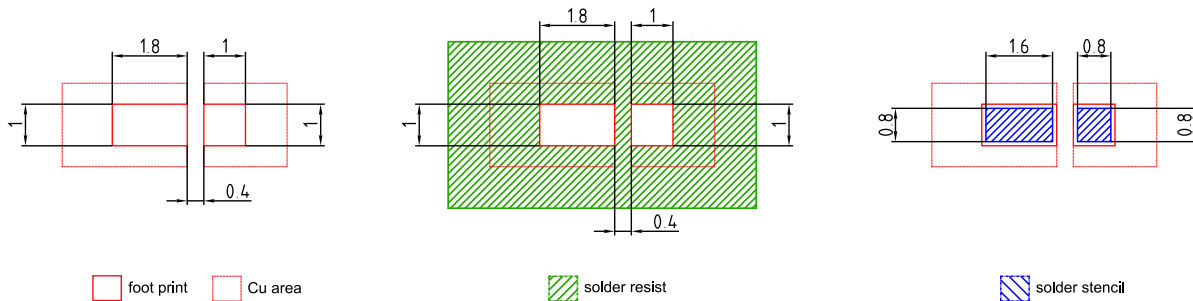
9.25 mg

**Gewicht:**

9.25 mg

**Recommended Solder Pad** <sup>9) page 23</sup>  
**Empfohlenes Lötpad design** <sup>9) Seite 23</sup>

Reflow soldering  
 Reflow-Löten



E067.0374.01 -01

**Note:**

*Package not suitable for ultra sonic cleaning.  
 For superior solder joint connectivity results we  
 recommend soldering under standard nitrogen  
 atmosphere.*

**Anm.:**

*Das Gehäuse ist für Ultraschallreinigung nicht  
 geeignet.  
 Um eine verbesserte Lötstellenkontaktierung zu  
 erreichen, empfehlen wir, unter Standard-  
 Stickstoffatmosphäre zu löten.*

## Reflow Soldering Profile Reflow-Lötprofil

Product complies to MSL Level 3 acc. to JEDEC J-STD-020D.01



OHA04612

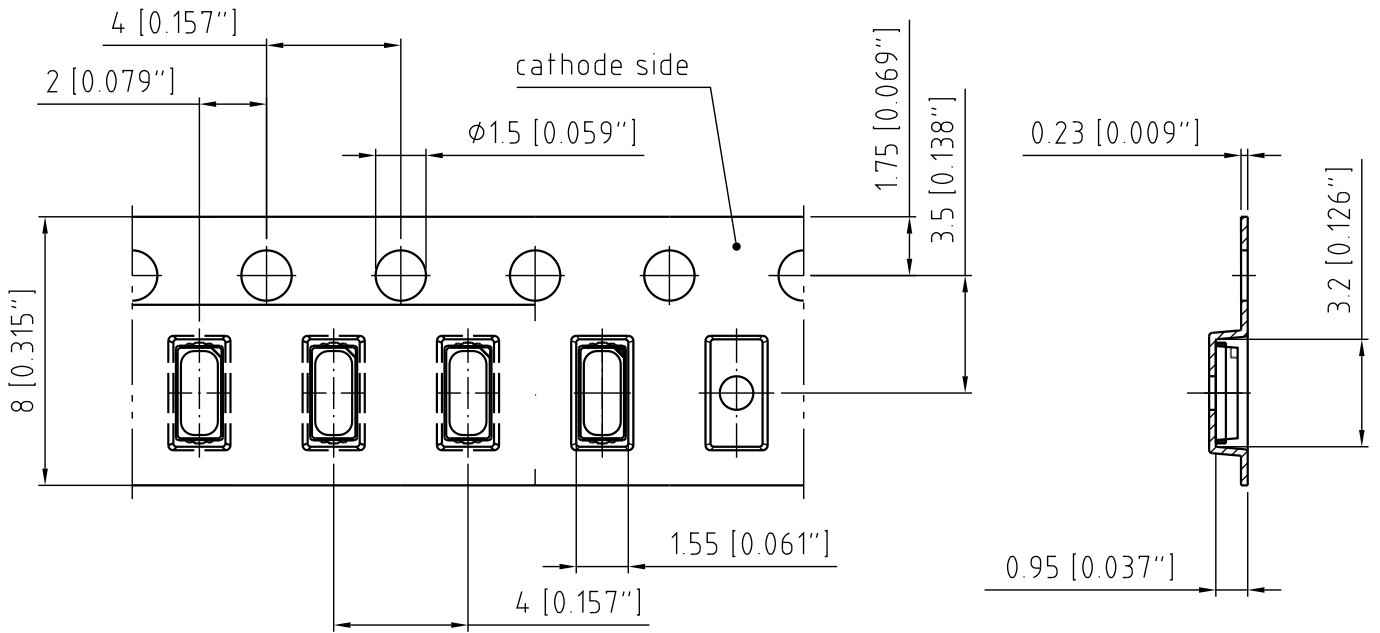
Profile Feature Profil-Charakteristik	Symbol Symbol	Pb-Free (SnAgCu) Assembly			Unit Einheit
		Minimum	Recommendation	Maximum	
Ramp-up rate to preheat*) 25 °C to 150 °C			2	3	K/s
Time $t_S$ $T_{Smin}$ to $T_{Smax}$	$t_S$	60	100	120	s
Ramp-up rate to peak*) $T_{Smax}$ to $T_P$			2	3	K/s
Liquidus temperature	$T_L$		217		°C
Time above liquidus temperature	$t_L$		80	100	s
Peak temperature	$T_P$		245	260	°C
Time within 5 °C of the specified peak temperature $T_P - 5$ K	$t_P$	10	20	30	s
Ramp-down rate* $T_P$ to 100 °C			3	6	K/s
Time 25 °C to $T_P$				480	s

All temperatures refer to the center of the package, measured on the top of the component

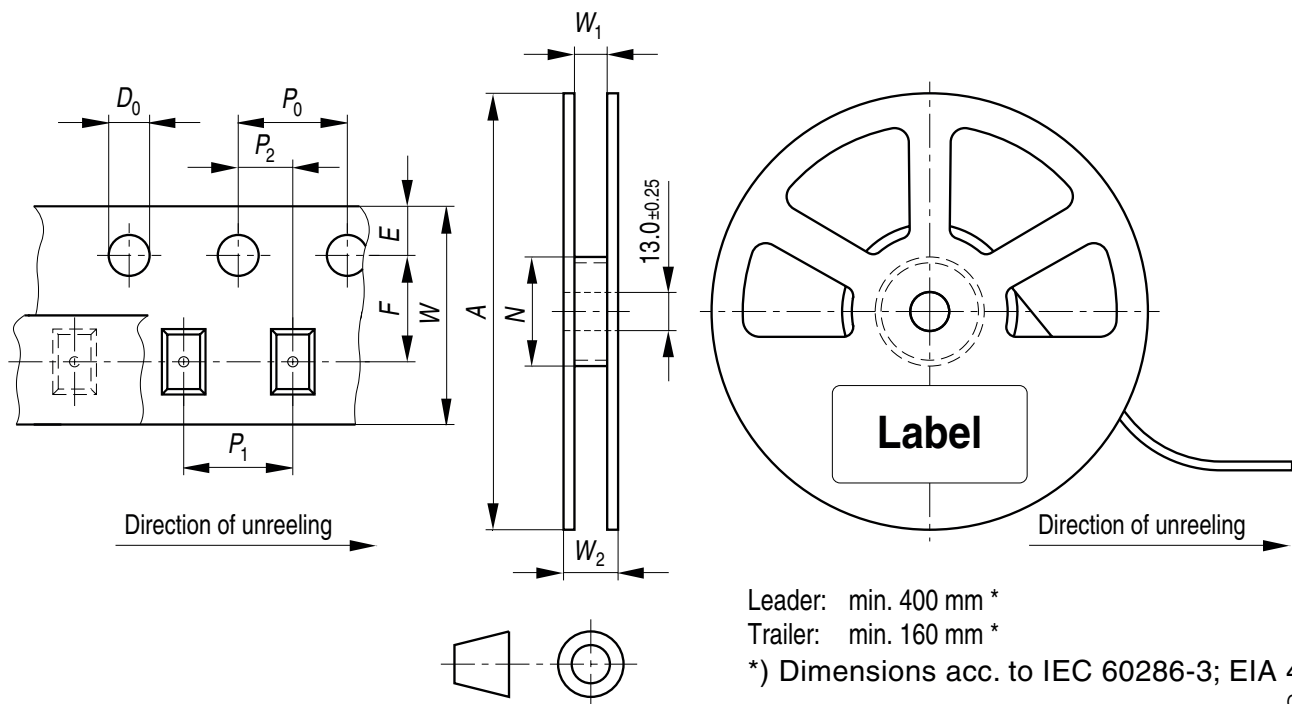
\* slope calculation  $DT/Dt$ :  $Dt$  max. 5 s; fulfillment for the whole T-range



Taping <sup>9) page 23</sup>  
Gurtung <sup>9) Seite 23</sup>



C67062-A0186-B1-01

**Tape and Reel****Gurtverpackung**8 mm tape with 10000 pcs. on  $\varnothing$  330 mm reel**Tape dimensions [mm]****Gurtmaße [mm]**

W	P <sub>0</sub>	P <sub>1</sub>	P <sub>2</sub>	D <sub>0</sub>	E	F
8 + 0.3 / -0.1	4 ± 0.1	2 ± 0.05 or 4 ± 0.1	2 ± 0.05	1.5 ± 0.1	1.75 ± 0.1	3.5 ± 0.05

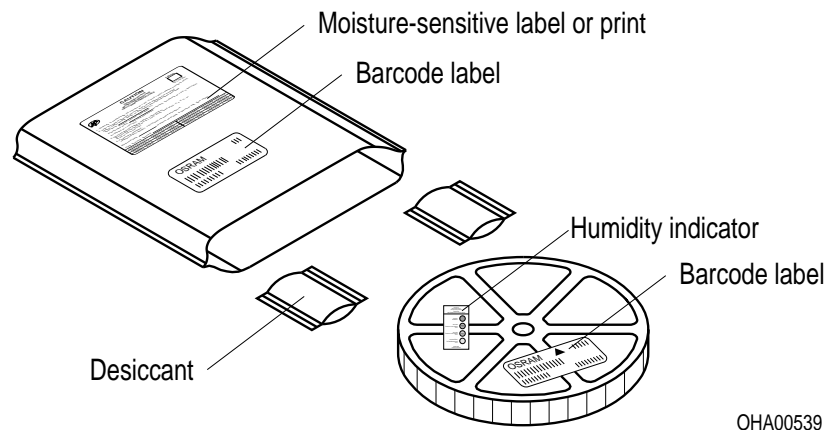
**Reel dimensions [mm]****Rollenmaße [mm]**

A	W	N <sub>min</sub>	W <sub>1</sub>	W <sub>2max</sub>
330	8	100	8.4 ± 2	14.4

## Barcode-Product-Label (BPL) Barcode-Produkt-Etikett (BPL)



## Dry Packing Process and Materials Trockenverpackung und Materialien



### Note:

Moisture-sensitive product is packed in a dry bag containing desiccant and a humidity card.

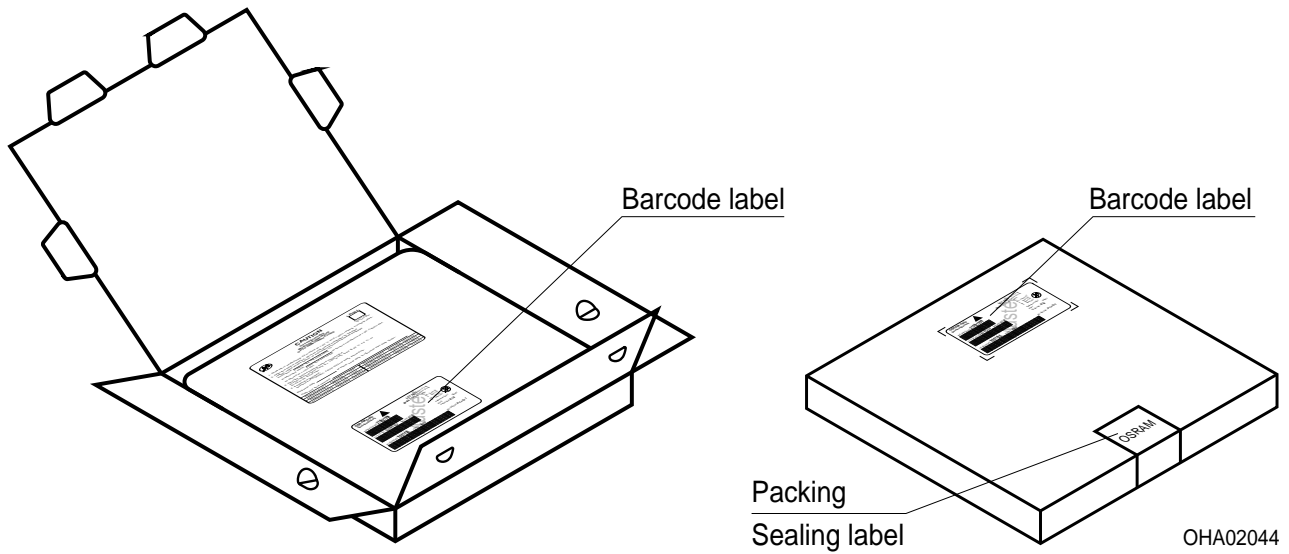
Regarding dry pack you will find further information in the internet and in the Short Form Catalog in chapter "Tape and Reel" under the topic "Dry Pack". Here you will also find the normative references like JEDEC.

### Anm.:

Feuchteempfindliche Produkte sind verpackt in einem Trockenbeutel zusammen mit einem Trockenmittel und einer Feuchteindikatorkarte.

Bezüglich Trockenverpackung finden Sie weitere Hinweise im Internet und in unserem Short Form Catalog im Kapitel "Gurtung und Verpackung" unter dem Punkt "Trockenverpackung". Hier sind Normenbezüge, unter anderem ein Auszug der JEDEC-Norm, enthalten.

### Transportation Packing and Materials Kartonverpackung und Materialien



### Dimensions of transportation box in mm

Width Breite	Length Länge	Height Höhe
200 ± 5	195 ± 5	30 ± 5

## Notes

The evaluation of eye safety occurs according to the standard IEC 62471:2008 ("photobiological safety of lamps and lamp systems"). Within the risk grouping system of this CIE standard, the LED specified in this data sheet fall into the class Exempt group (exposure time 10000 s). Under real circumstances (for exposure time, eye pupils, observation distance), it is assumed that no endangerment to the eye exists from these devices. As a matter of principle, however, it should be mentioned that intense light sources have a high secondary exposure potential due to their blinding effect. As is also true when viewing other bright light sources (e.g. spotlights), temporary reduction in visual acuity and afterimages can occur, leading to irritation, annoyance, visual impairment, and even accidents, depending on the situation.

Subcomponents of this LED are silverplated. Silver is discoloring when being exposed to environments containing high concentrations of aggressive substances. Corroded silver may lead to a worsening of the optical performance of the LED and can in the worst case lead to a failure of the LED. Do not expose this LED to aggressive atmospheres. Note, that corrosive gases may as well be emitted from materials close to the LED in the final product.

This LED is designed for specific/recommended applications only. Please consult OSRAM Opto Semiconductors Sales Staff in advance for detailed information on other non-recommended applications (e.g. automotive)

OR

Please visit [www.osram-os.com/apnotes](http://www.osram-os.com/apnotes).

Change management for this component is aligned with the requirements of the lighting market.

## Hinweise

Die Bewertung der Augensicherheit erfolgt nach dem Standard IEC 62471:2008 ("photobiological safety of lamps and lamp systems"). Im Risikogruppensystem dieser CIE- Norm erfüllen die in diesem Datenblatt angegebenen LEDs folgende Gruppenanforderung - Exempt group (Expositionsdauer 10000 s). Unter realen Umständen (für Expositionsdauer, Augenpupille, Betrachtungsabstand) geht damit von diesen Bauelementen keinerlei Augengefährdung aus. Grundsätzlich sollte jedoch erwähnt werden, dass intensive Lichtquellen durch ihre Blendwirkung ein hohes sekundäres Gefahrenpotenzial besitzen. Nach einem Blick in eine helle Lichtquelle (z.B. Spotlights), kann ein temporär eingeschränktes Sehvermögen oder auch Nachbilder zu Irritationen, Belästigungen, Beeinträchtigungen oder sogar Unfällen führen.

Einzelkomponenten dieser LED sind silberbeschichtet. Silberoberflächen werden durch korrosive Substanzen verändert. Korrodiertes Silber kann zu einer Verschlechterung der optischen Eigenschaften und im schlimmsten Fall zum Ausfall der LED führen. Diese LED darf aggressiven Bedingungen nicht ausgesetzt werden. Es ist zu beachten, dass korrosive Gase auch von Materialien emittiert werden können, die sich im Endprodukt in unmittelbarer Umgebung der LED befinden.

Die LED ist ausschließlich für spezifisch empfohlene Anwendungen konzipiert. Bitte kontaktieren Sie das OSRAM Opto Semiconductors Vertriebspersonal für detaillierte Informationen über nicht empfohlene Anwendungsbereiche (z.B. Automobilbereich), oder besuchen Sie

[www.osram-os.com/apnotes](http://www.osram-os.com/apnotes)

Das Änderungsmanagement dieses Bauteils ist an den Anforderungen des Lichtmarktes ausgerichtet.

**Disclaimer**

Language english will prevail in case of any discrepancies or deviations between the two language wordings.

**Attention please!**

The information describes the type of component and shall not be considered as assured characteristics.

Terms of delivery and rights to change design reserved. Due to technical requirements components may contain dangerous substances.

For information on the types in question please contact our Sales Organization.

If printed or downloaded, please find the latest version in the Internet.

**Packing**

Please use the recycling operators known to you. We can also help you – get in touch with your nearest sales office.

By agreement we will take packing material back, if it is sorted. You must bear the costs of transport. For packing material that is returned to us unsorted or which we are not obliged to accept, we shall have to invoice you for any costs incurred.

**Components used in life-support devices or systems must be expressly authorized for such purpose!**

Critical components\* may only be used in life-support devices\*\* or systems with the express written approval of OSRAM OS.

\*) A critical component is a component used in a life-support device or system whose failure can reasonably be expected to cause the failure of that life-support device or system, or to affect its safety or the effectiveness of that device or system.

\*\*) Life support devices or systems are intended (a) to be implanted in the human body, or (b) to support and/or maintain and sustain human life. If they fail, it is reasonable to assume that the health and the life of the user may be endangered.

**Disclaimer**

Bei abweichenden Angaben im zweisprachigen Wortlaut haben die Angaben in englischer Sprache Vorrang.

**Bitte beachten!**

Lieferbedingungen und Änderungen im Design vorbehalten. Aufgrund technischer Anforderungen können die Bauteile Gefahrstoffe enthalten. Für weitere Informationen zu gewünschten Bauteilen, wenden Sie sich bitte an unseren Vertrieb. Falls Sie dieses Datenblatt ausgedruckt oder heruntergeladen haben, finden Sie die aktuellste Version im Internet.

**Verpackung**

Benutzen Sie bitte die Ihnen bekannten Recyclingwege. Wenn diese nicht bekannt sein sollten, wenden Sie sich bitte an das nächstgelegene Vertriebsbüro. Wir nehmen das Verpackungsmaterial zurück, falls dies vereinbart wurde und das Material sortiert ist. Sie tragen die Transportkosten. Für Verpackungsmaterial, das unsortiert an uns zurückgeschickt wird oder das wir nicht annehmen müssen, stellen wir Ihnen die anfallenden Kosten in Rechnung.

**Bauteile, die in lebenserhaltenden Apparaten und Systemen eingesetzt werden, müssen für diese Zwecke ausdrücklich zugelassen sein!**

Kritische Bauteile\* dürfen in lebenserhaltenden Apparaten und Systemen\*\* nur dann eingesetzt werden, wenn ein schriftliches Einverständnis von OSRAM OS vorliegt.

\*) Ein kritisches Bauteil ist ein Bauteil, das in lebenserhaltenden Apparaten oder Systemen eingesetzt wird und dessen Defekt voraussichtlich zu einer Fehlfunktion dieses lebenserhaltenden Apparates oder Systems führen wird oder die Sicherheit oder Effektivität dieses Apparates oder Systems beeinträchtigt.

\*\*) Lebenserhaltende Apparate oder Systeme sind für (a) die Implantierung in den menschlichen Körper oder (b) für die Lebenserhaltung bestimmt. Falls Sie versagen, kann davon ausgegangen werden, dass die Gesundheit und das Leben des Patienten in Gefahr ist.

## Glossary

- 1) **Brightness:** Brightness values are measured during a current pulse of typically 10 ms, with a tolerance of +/- 7%.
- 2) **Reverse Voltage:** Not designed for reverse operation. Continuous reverse voltage can cause migration and LED damage.
- 3) **Forward Voltage:** The Forward voltage is measured during a current pulse duration of typically 1 ms with a tolerance of  $\pm 0.05V$ .
- 4) **Color reproduction index:** Color reproduction index values (CRI-RA) are measured during a current pulse of typically 10 ms and with a tolerance of  $\pm 2$ .
- 5) **Thermal Resistance:**  $R_{th\ max}$  is based on statistic values ( $6\sigma$ ).
- 6) **Typical Values:** Due to the special conditions of the manufacturing processes of LED, the typical data or calculated correlations of technical parameters can only reflect statistical figures. These do not necessarily correspond to the actual parameters of each single product, which could differ from the typical data and calculated correlations or the typical characteristic line. If requested, e.g. because of technical improvements, these typ. data will be changed without any further notice.
- 7) **Chromaticity coordinate groups:** Chromaticity coordinate groups are measured during a current pulse duration of typically 10ms with a tolerance of  $\pm 0.005$ .
- 8) **Characteristic curve:** In the range where the line of the graph is broken, you must expect higher differences between single LEDs within one packing unit.
- 9) **Tolerance of Measure:** Unless otherwise noted in drawing, tolerances are specified with  $\pm 0.1$  and dimensions are specified in mm.

## Glossar

- 1) **Helligkeit:** Helligkeitswerte werden während eines Strompulses mit einer typischen Dauer von 10 ms, mit einer Genauigkeit von  $\pm 7\%$  ermittelt.
- 2) **Sperrspannung:** Die LED kann nicht in Sperrrichtung betrieben werden. Kontinuierlicher Rückwärtsbetrieb kann Migration und eine Beschädigung der LED zur Folge haben.
- 3) **Vorwärtsspannung:** Spannungswerte werden mit einer Stromeinprägedauer von 1 ms, mit einer Genauigkeit von  $\pm 0.05 V$  ermittelt.
- 4) **Farbwiedergabe Index:** Werte des Farbwiedergabe Index (CRI-RA) werden während eines Strompulses einer typischen Dauer von 10 ms, mit einer Genauigkeit von  $\pm 2$  ermittelt.
- 5) **Wärmewiderstand:**  $R_{th\ max}$  basiert auf statistischen Werten ( $6\sigma$ ).
- 6) **Typische Werte:** Wegen der besonderen Prozessbedingungen bei der Herstellung von LED können typische oder abgeleitete technische Parameter nur aufgrund statistischer Werte wiedergegeben werden. Diese stimmen nicht notwendigerweise mit den Werten jedes einzelnen Produktes überein, dessen Werte sich von typischen und abgeleiteten Werten oder typischen Kennlinien unterscheiden können. Falls erforderlich, z.B. aufgrund technischer Verbesserungen, werden diese typischen Werte ohne weitere Ankündigung geändert.
- 7) **Farbortgruppen:** Farbortgruppen werden mit einer Stromeinprägedauer von 10 ms, mit einer Genauigkeit von  $\pm 0.005$  ermittelt.
- 8) **Kennlinien:** Im gestrichelten Bereich der Kennlinien muss mit erhöhten Abweichungen zwischen Leuchtdioden innerhalb einer Verpackungseinheit gerechnet werden.
- 9) **Maßtoleranz:** Wenn in der Zeichnung nicht anders angegeben, gilt eine Toleranz von  $\pm 0,1$ . Maße werden in mm angegeben.

**Published by OSRAM Opto Semiconductors GmbH**  
**Leibnizstraße 4, D-93055 Regensburg**  
**www.osram-os.com © All Rights Reserved.**

EU RoHS and China RoHS compliant product



此产品符合欧盟 RoHS 指令的要求；  
按照中国的相关法规和标准，不含有毒有害物质或元素。



Компания «Океан Электроники» предлагает заключение долгосрочных отношений при поставках импортных электронных компонентов на взаимовыгодных условиях!

Наши преимущества:

- Поставка оригинальных импортных электронных компонентов напрямую с производств Америки, Европы и Азии, а так же с крупнейших складов мира;
- Широкая линейка поставок активных и пассивных импортных электронных компонентов (более 30 млн. наименований);
- Поставка сложных, дефицитных, либо снятых с производства позиций;
- Оперативные сроки поставки под заказ (от 5 рабочих дней);
- Экспресс доставка в любую точку России;
- Помощь Конструкторского Отдела и консультации квалифицированных инженеров;
- Техническая поддержка проекта, помощь в подборе аналогов, поставка прототипов;
- Поставка электронных компонентов под контролем ВП;
- Система менеджмента качества сертифицирована по Международному стандарту ISO 9001;
- При необходимости вся продукция военного и аэрокосмического назначения проходит испытания и сертификацию в лаборатории (по согласованию с заказчиком);
- Поставка специализированных компонентов военного и аэрокосмического уровня качества (Xilinx, Altera, Analog Devices, Intersil, Interpoint, Microsemi, Actel, Aeroflex, Peregrine, VPT, Syfer, Eurofarad, Texas Instruments, MS Kennedy, Miteq, Cobham, E2V, MA-COM, Hittite, Mini-Circuits, General Dynamics и др.);

Компания «Океан Электроники» является официальным дистрибьютором и эксклюзивным представителем в России одного из крупнейших производителей разъемов военного и аэрокосмического назначения «JONHON», а так же официальным дистрибьютором и эксклюзивным представителем в России производителя высокотехнологичных и надежных решений для передачи СВЧ сигналов «FORSTAR».



## JONHON

«JONHON» (основан в 1970 г.)

Разъемы специального, военного и аэрокосмического назначения:

(Применяются в военной, авиационной, аэрокосмической, морской, железнодорожной, горно- и нефтедобывающей отраслях промышленности)

«FORSTAR» (основан в 1998 г.)

ВЧ соединители, коаксиальные кабели, кабельные сборки и микроволновые компоненты:

(Применяются в телекоммуникациях гражданского и специального назначения, в средствах связи, РЛС, а так же военной, авиационной и аэрокосмической отраслях промышленности).



Телефон: 8 (812) 309-75-97 (многоканальный)

Факс: 8 (812) 320-03-32

Электронная почта: [ocean@oceanchips.ru](mailto:ocean@oceanchips.ru)

Web: <http://oceanchips.ru/>

Адрес: 198099, г. Санкт-Петербург, ул. Калинина, д. 2, корп. 4, лит. А