

THIS DRAWING IS UNPUBLISHED. RELEASED FOR PUBLICATION  
 © COPYRIGHT - By - ALL RIGHTS RESERVED.

| LOC |     | DIST                      |  | REVISIONS |     |      |  |
|-----|-----|---------------------------|--|-----------|-----|------|--|
| P   | LTR | DESCRIPTION               |  | DATE      | DWN | APVD |  |
| H2  |     | REVISED PER ECO-11-004587 |  | 11MAR11   | RK  | HMR  |  |

| LOC  | DIST | P | LTR | DESCRIPTION | DATE | DWN | APVD | DIM B | DIM A | NO. OF POS. | PART NO.    |
|------|------|---|-----|-------------|------|-----|------|-------|-------|-------------|-------------|
| -    | -    | - | -   | -           | -    | -   | -    | 180.7 | 188.2 | 18          | 1-1546306-8 |
| -    | -    | - | -   | -           | -    | -   | -    | 171.2 | 178.7 | 17          | 1-1546306-7 |
| -    | -    | - | -   | -           | -    | -   | -    | 161.7 | 169.2 | 16          | 1-1546306-6 |
| △△△△ | -    | - | -   | -           | -    | -   | -    | 152.2 | 159.7 | 15          | 6-1546306-2 |
| -    | -    | - | -   | -           | -    | -   | -    | 152.2 | 159.7 | 15          | 1-1546306-5 |
| -    | -    | - | -   | -           | -    | -   | -    | 142.7 | 150.2 | 14          | 1-1546306-4 |
| -    | -    | - | -   | -           | -    | -   | -    | 133.2 | 140.7 | 13          | 1-1546306-3 |
| △△   | -    | - | -   | -           | -    | -   | -    | 123.7 | 131.2 | 12          | 4-1546306-0 |
| △△   | -    | - | -   | -           | -    | -   | -    | 123.7 | 131.2 | 12          | 3-1546306-3 |
| -    | -    | - | -   | -           | -    | -   | -    | 123.7 | 131.2 | 12          | 1-1546306-2 |
| △    | -    | - | -   | 11          | -    | -   | -    | 114.2 | 121.7 | 11          | 5-1546306-2 |
| △△   | -    | - | -   | -           | 2    | -   | -    | 114.2 | 121.7 | 11          | 3-1546306-4 |
| △    | -    | - | -   | -           | -    | -   | -    | 114.2 | 121.7 | 11          | 3-1546306-1 |
| -    | -    | - | -   | -           | -    | -   | -    | 114.2 | 121.7 | 11          | 1-1546306-1 |
| △    | -    | - | -   | -           | -    | -   | 10   | 104.7 | 112.2 | 10          | 6-1546306-0 |
| △△   | -    | - | -   | -           | -    | -   | -    | 104.7 | 112.2 | 10          | 5-1546306-8 |
| -    | -    | - | -   | -           | -    | -   | -    | 104.7 | 112.2 | 10          | 1-1546306-0 |
| △△△  | -    | 4 | 9   | -           | -    | -   | -    | 95.2  | 102.7 | 9           | 6-1546306-3 |
| △△   | -    | - | -   | -           | -    | -   | -    | 95.2  | 102.7 | 9           | 5-1546306-6 |
| -    | -    | - | -   | -           | -    | -   | -    | 95.2  | 102.7 | 9           | 1546306-9   |
| -    | -    | - | -   | -           | -    | -   | 8    | 85.7  | 93.2  | 8           | 5-1546306-9 |
| △△   | -    | - | -   | -           | -    | -   | -    | 85.7  | 93.2  | 8           | 3-1546306-9 |
| -    | -    | - | -   | -           | -    | -   | -    | 85.7  | 93.2  | 8           | 1546306-8   |
| △△   | -    | - | -   | -           | -    | -   | -    | 76.2  | 83.7  | 7           | 5-1546306-5 |
| △    | -    | - | -   | 1           | -    | -   | 7    | 76.2  | 83.7  | 7           | 5-1546306-0 |
| -    | -    | - | -   | -           | -    | -   | -    | 76.2  | 83.7  | 7           | 4-1546306-5 |
| △    | -    | - | -   | -           | -    | -   | -    | 76.2  | 83.7  | 7           | 3-1546306-7 |
| -    | -    | - | -   | -           | -    | -   | -    | 76.2  | 83.7  | 7           | 1546306-7   |
| △△   | -    | - | -   | -           | -    | -   | -    | 66.7  | 74.2  | 6           | 5-1546306-4 |
| △△   | -    | - | -   | -           | -    | 1   | 6    | 66.7  | 74.2  | 6           | 4-1546306-9 |
| -    | -    | - | -   | -           | 6    | -   | -    | 66.7  | 74.2  | 6           | 4-1546306-8 |
| -    | -    | - | -   | -           | -    | -   | -    | 66.7  | 74.2  | 6           | 4-1546306-4 |
| △    | -    | - | -   | -           | -    | -   | 6    | 66.7  | 74.2  | 6           | 3-1546306-6 |
| -    | -    | - | -   | -           | -    | -   | -    | 66.7  | 74.2  | 6           | 1546306-6   |
| △    | -    | - | -   | -           | -    | -   | 5    | 57.2  | 64.7  | 5           | 5-1546306-7 |
| △    | -    | 5 | 5   | -           | -    | -   | -    | 57.2  | 64.7  | 5           | 5-1546306-3 |
| △△   | -    | - | -   | -           | -    | -   | -    | 57.2  | 64.7  | 5           | 4-1546306-7 |
| -    | -    | - | -   | -           | -    | -   | -    | 57.2  | 64.7  | 5           | 4-1546306-3 |
| △    | -    | - | -   | -           | -    | -   | -    | 57.2  | 64.7  | 5           | 3-1546306-5 |
| -    | -    | - | -   | -           | -    | -   | -    | 57.2  | 64.7  | 5           | 1546306-5   |
| -    | -    | - | -   | -           | -    | -   | -    | 57.2  | 64.7  | 5           | 4-1546306-2 |
| △△   | -    | - | -   | -           | -    | -   | -    | 47.7  | 55.2  | 4           | 3-1546306-8 |
| -    | -    | - | -   | -           | -    | -   | -    | 47.7  | 55.2  | 4           | 1546306-4   |
| -    | -    | 3 | 3   | -           | -    | -   | -    | 38.2  | 45.7  | 3           | 6-1546306-1 |
| -    | -    | - | -   | -           | -    | -   | -    | 38.2  | 45.7  | 3           | 5-1546306-1 |
| -    | -    | - | -   | -           | -    | -   | -    | 38.2  | 45.7  | 3           | 1546306-3   |
| △    | -    | - | -   | -           | -    | 2   | 2    | 28.7  | 36.2  | 2           | 4-1546306-6 |
| -    | -    | - | -   | -           | 2    | 2   | 2    | 28.7  | 36.2  | 2           | 4-1546306-1 |
| -    | -    | - | -   | -           | -    | -   | -    | 28.7  | 36.2  | 2           | 1546306-2   |

△△ SCREW ON ONE SIDE

|       |                       |                       |                      |          |                            |                            |                             |                            |                            |                             |                        |                            |                             |       |       |             |          |
|-------|-----------------------|-----------------------|----------------------|----------|----------------------------|----------------------------|-----------------------------|----------------------------|----------------------------|-----------------------------|------------------------|----------------------------|-----------------------------|-------|-------|-------------|----------|
| NOTES | ⑬ QC TAB .187 SS FLAT | ⑫ QC TAB .187 SS FLAT | ⑪ QC TAB .187 SS 90° | ⑩ JUMPER | ⑨ QC TAB DBL SIDE 90° .250 | ⑧ QC TAB DBL SIDE 45° .250 | ⑦ QC TAB DBL SIDE FLAT .250 | ⑥ QC TAB DBL SIDE 90° .187 | ⑤ QC TAB DBL SIDE 45° .187 | ④ QC TAB DBL SIDE FLAT .187 | ③ QC TAB SGL SIDE .250 | ② QC TAB SGL SIDE 45° .250 | ① QC TAB SGL SIDE FLAT .250 | DIM B | DIM A | NO. OF POS. | PART NO. |
|-------|-----------------------|-----------------------|----------------------|----------|----------------------------|----------------------------|-----------------------------|----------------------------|----------------------------|-----------------------------|------------------------|----------------------------|-----------------------------|-------|-------|-------------|----------|

THIS DRAWING IS A CONTROLLED DOCUMENT.

DWN: S SCHLEGEL 20AUG2002  
 CHK: C RICHARD 8/20/02  
 APVD: C RICHARD 8/20/02

TE Connectivity

9.50MM (.374) DBL ROW BARRIER STRIP W/O WASHER

SIZE: A2 CAGE CODE: 00779 DRAWING NO: C=1546306 RESTRICTED TO: -

SCALE: NTS SHEET: 1 OF 3 REV: H2

CUSTOMER DRAWING

THIS DRAWING IS UNPUBLISHED. RELEASED FOR PUBLICATION  
 © COPYRIGHT - By - ALL RIGHTS RESERVED.

| LOC |     | DIST        |      | REVISIONS |      |  |  |
|-----|-----|-------------|------|-----------|------|--|--|
| P   | LTR | DESCRIPTION | DATE | DWN       | APVD |  |  |
| -   | -   | SEE SHEET 1 | -    | -         | -    |  |  |

PHYSICAL PROPERTIES:  
 HOUSING MATERIAL: THERMOPLASTIC, PC  
 FLAMMABILITY: UL94V-0 COLOR: BLACK  
 MAX BOW/WARP: .0056 IN/IN.

TERMINAL:  
 TERMINALS: BRASS, TIN PLATED  
 SCREWS: 6-32, STEEL, NICKEL PLATED

MECHANICAL:  
 PITCH (TERMINAL SPACING): 9.50mm(.374")  
 WIRE RANGE: 12-22 AWG  
 RECOMMENDED TIGHTENING TORQUE: 12IN-LBS MAX.

ELECTRICAL PROPERTIES:  
 MAXIMUM CURRENT: 20A  
 OPERATING VOLTAGE: 300V


ENVIRONMENTAL PROPERTIES:  
 OPERATING TEMP RANGE: -40°C TO +120°C.

- 1 SEE FIGURE.
- 2 MARKED WITH WHITE INK.
- 3 PRELIMINARY PART NUMBER.
- 4 SCREWS AND TERMINALS ARE NICKEL PLATED BRASS.
- 5 STAINLESS STEEL SCREWS.
- 6 SCREWS ARE NICKEL PLATED BRASS.
- 7 WIRE CLAMP SCREWS TO BE USED ONLY ON SIDE OPPOSITE QC TABS.
- 8 TE CONNECTIVITY LOGO LOCATED APPROXIMATE AREA SHOWN.

-- SELECT LOAD CHART --

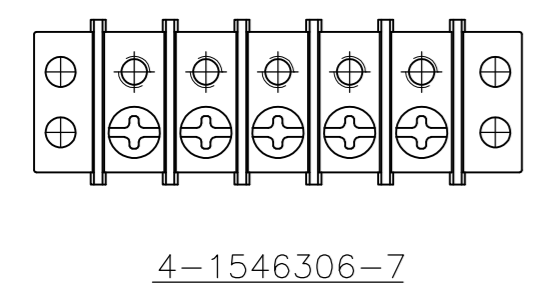
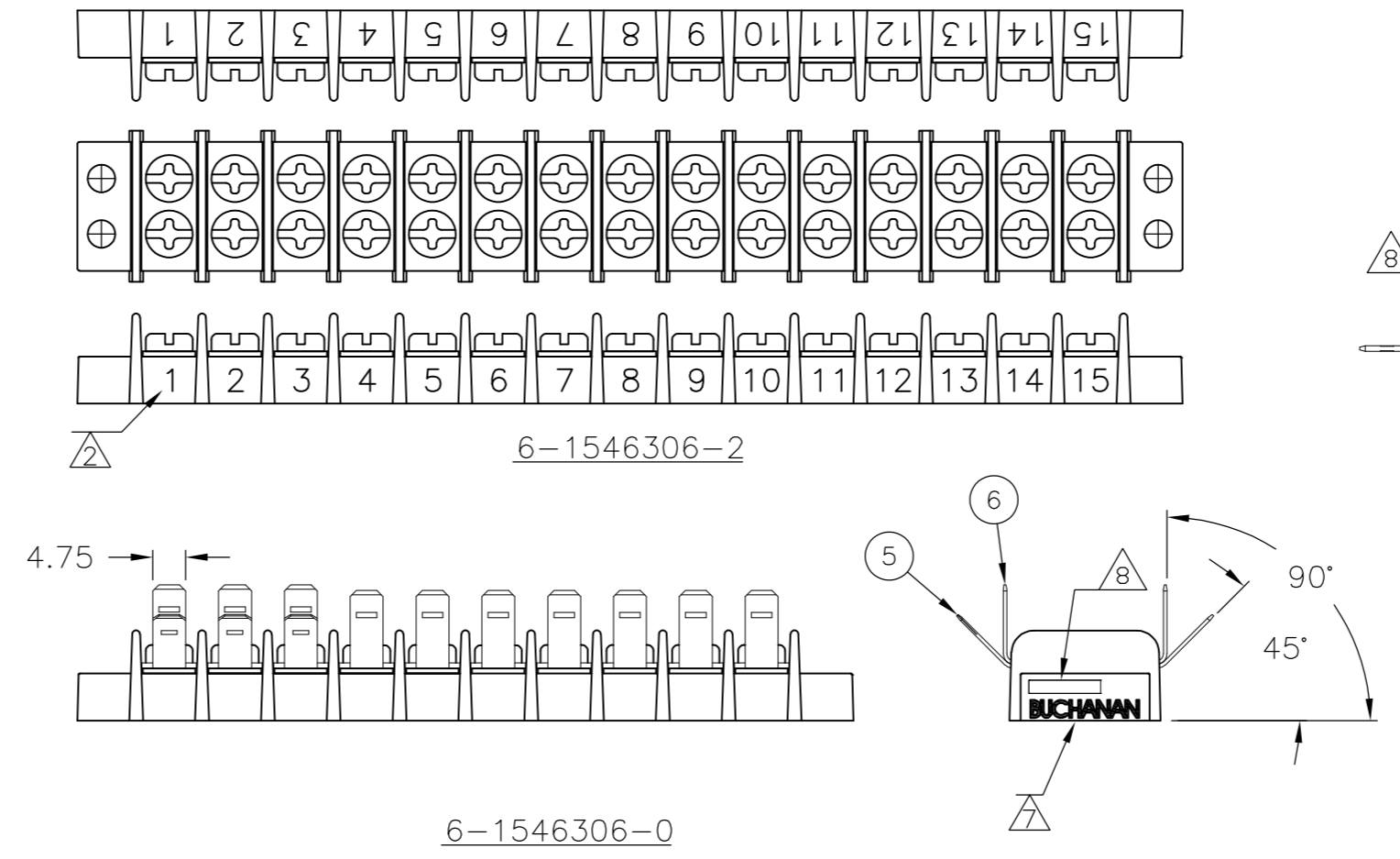
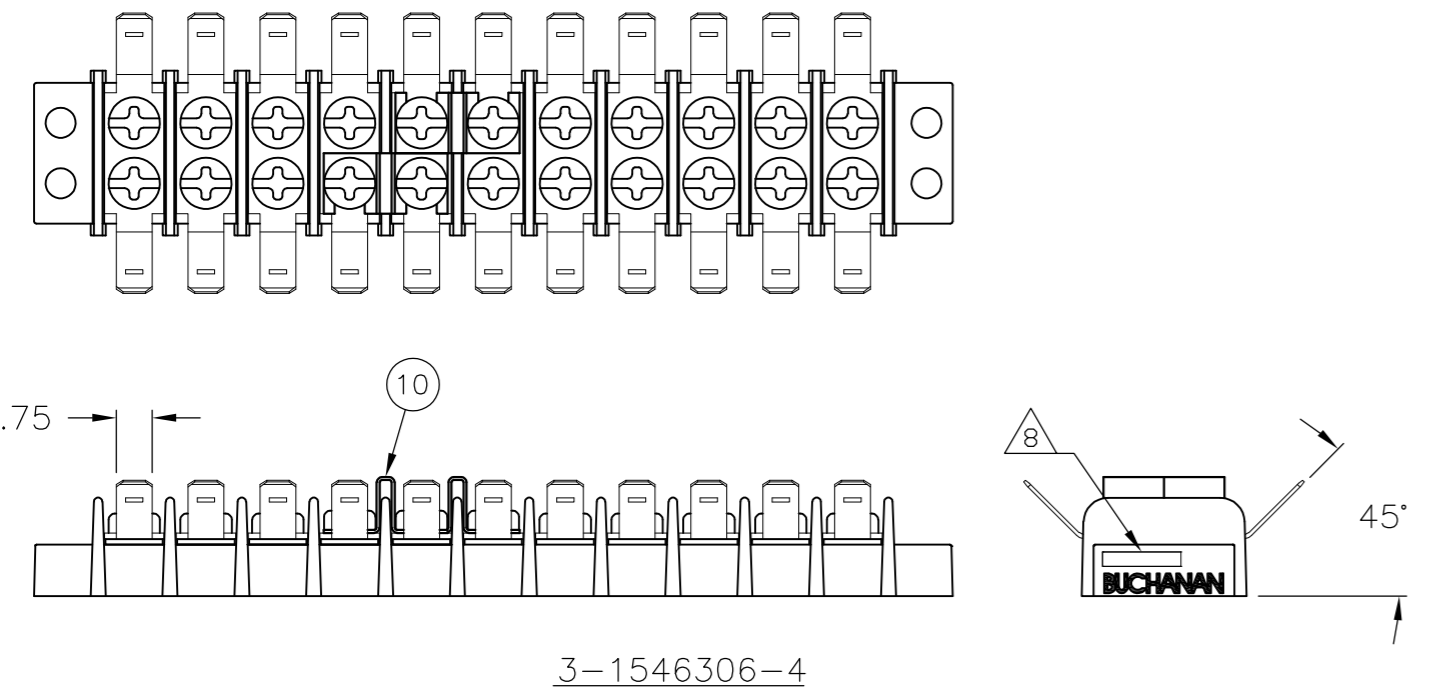
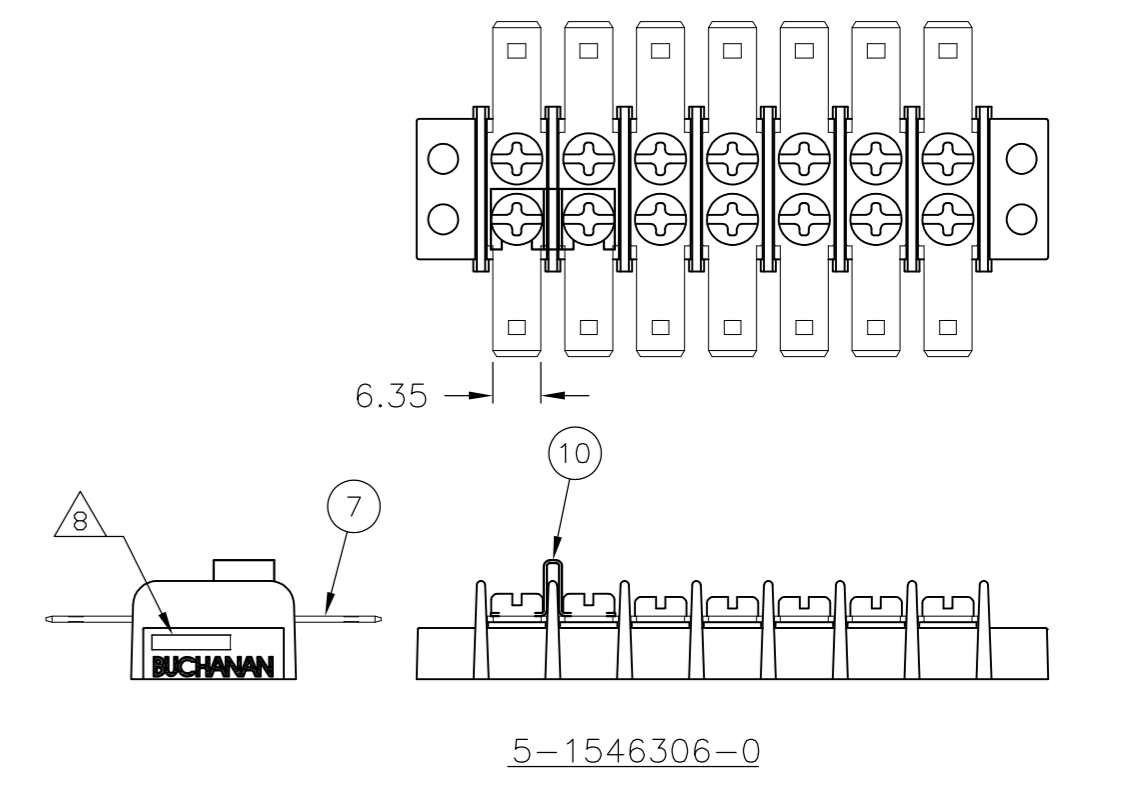
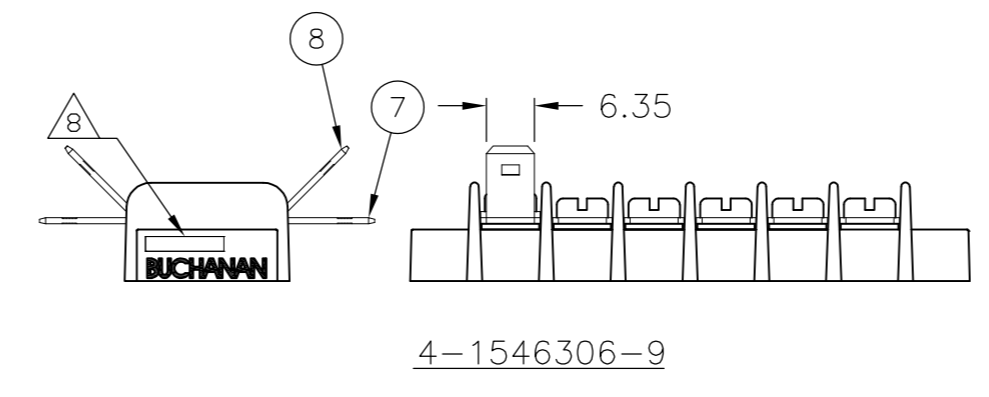
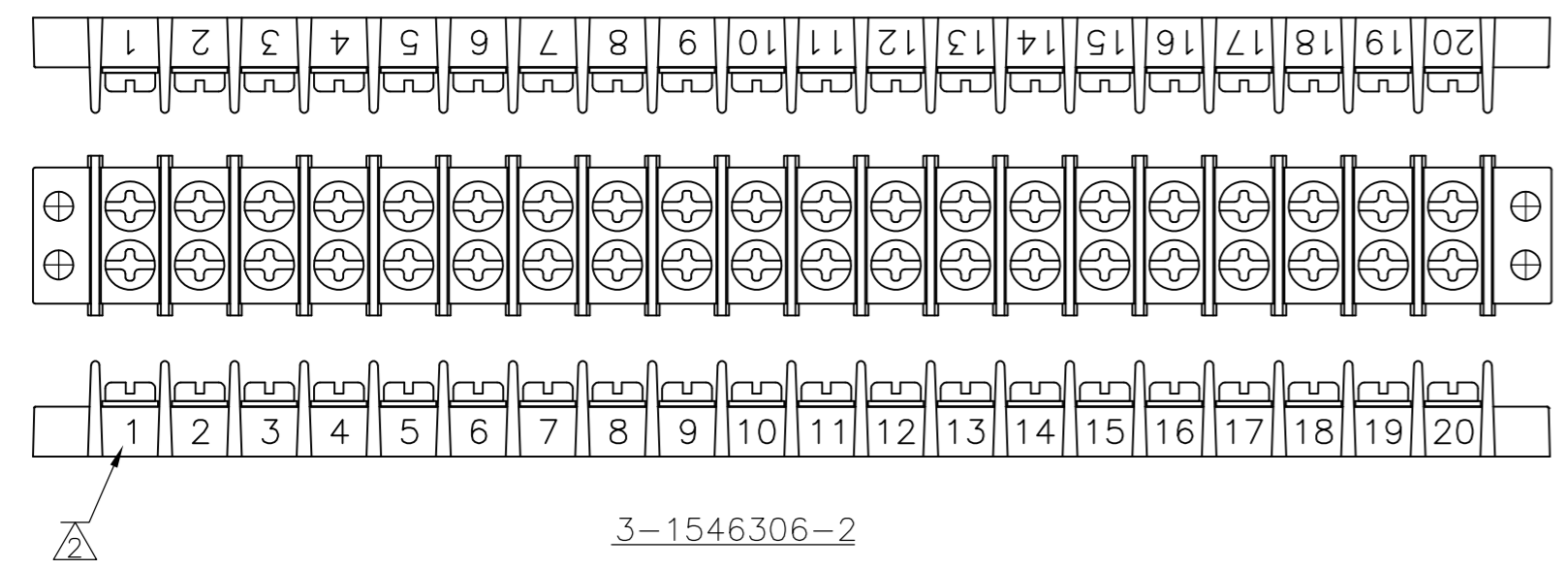
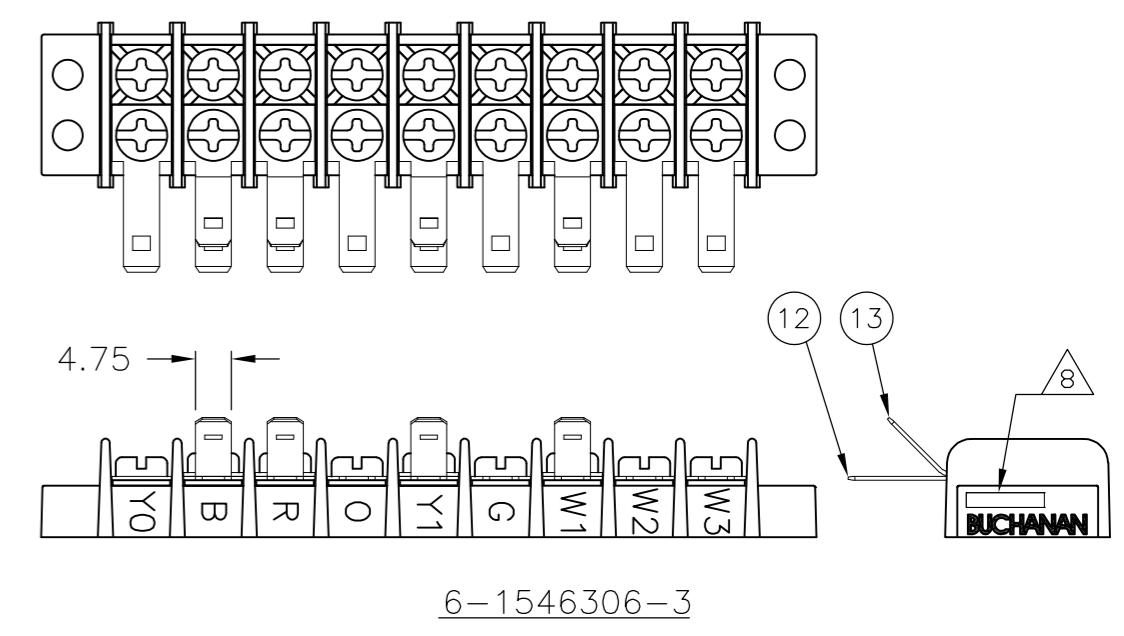
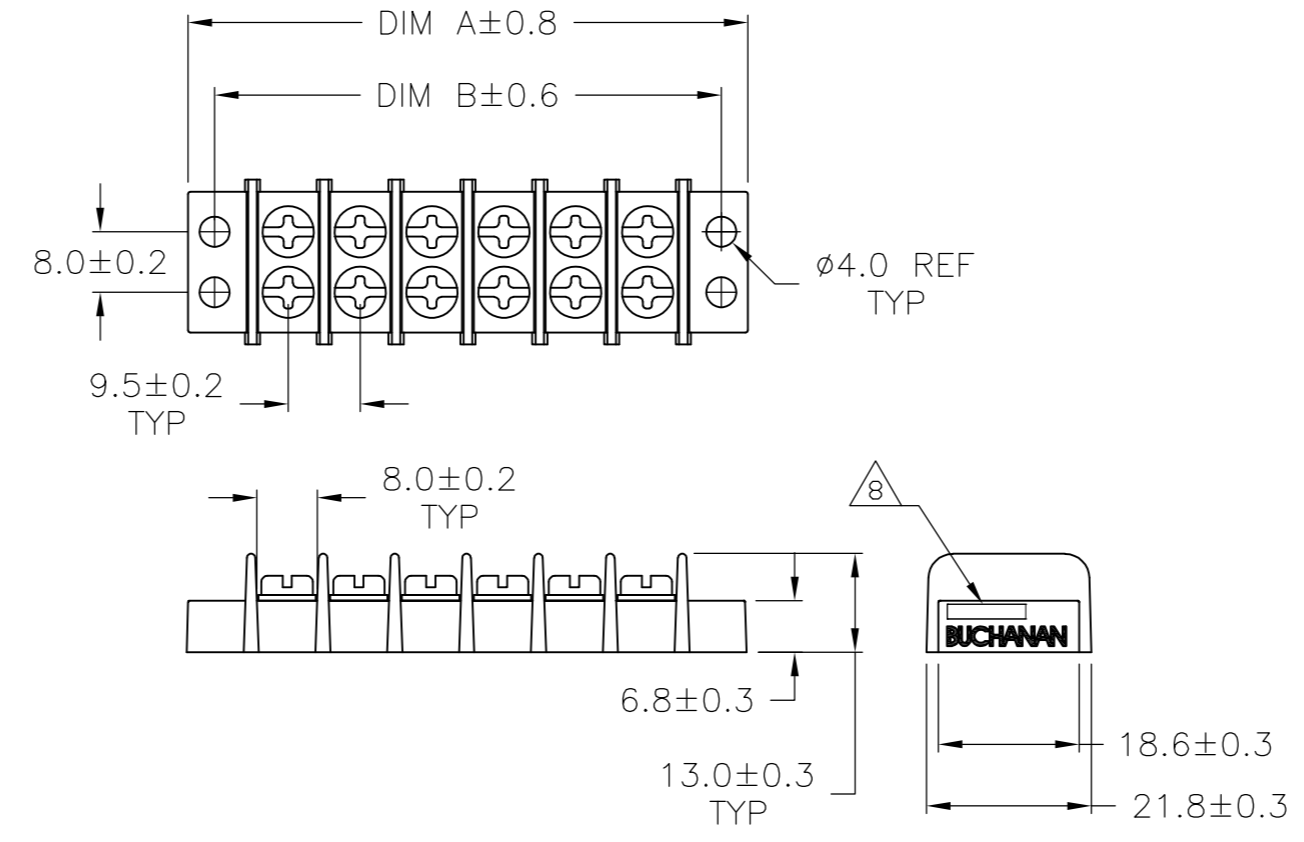
|                  |                     |         |                    |    |        |     |                          |   |                          |   |                           |    |                          |   |                          |   |                           |   |                          |   |                          |   |                           |             |             |
|------------------|---------------------|---------|--------------------|----|--------|-----|--------------------------|---|--------------------------|---|---------------------------|----|--------------------------|---|--------------------------|---|---------------------------|---|--------------------------|---|--------------------------|---|---------------------------|-------------|-------------|
| -                | -                   | 4-5,5-6 | -                  | -  | -      | -   | ALL                      | - | -                        | - | -                         | 11 | 3-1546306-4              |   |                          |   |                           |   |                          |   |                          |   |                           |             |             |
| -                | -                   | -       | -                  | -  | -      | ALL | 1-3                      | - | -                        | - | -                         | 10 | 6-1546306-0              |   |                          |   |                           |   |                          |   |                          |   |                           |             |             |
| -                | -                   | 1,2     | -                  | -  | ALL    | -   | -                        | - | -                        | - | -                         | 7  | 5-1546306-0              |   |                          |   |                           |   |                          |   |                          |   |                           |             |             |
| -                | -                   | -       | -                  | 1  | ALL    | -   | -                        | - | -                        | - | -                         | 6  | 4-1546306-9              |   |                          |   |                           |   |                          |   |                          |   |                           |             |             |
| 12               | QC TAB .187 SS FLAT | 11      | QC TAB .187 SS 90° | 10 | JUMPER | 9   | QC TAB DBL SIDE 90° .250 | 8 | QC TAB DBL SIDE 45° .250 | 7 | QC TAB DBL SIDE FLAT .250 | 6  | QC TAB DBL SIDE 90° .187 | 5 | QC TAB DBL SIDE 45° .187 | 4 | QC TAB DBL SIDE FLAT .187 | 3 | QC TAB SGL SIDE 90° .250 | 2 | QC TAB SGL SIDE 45° .250 | 1 | QC TAB SGL SIDE FLAT .250 | NO. OF POS. | PART NUMBER |
| POSITIONS LOADED |                     |         |                    |    |        |     |                          |   |                          |   |                           |    |                          |   |                          |   |                           |   |                          |   |                          |   |                           |             |             |

|       |             |                     |    |                     |    |                    |    |        |   |                          |   |                          |   |                           |   |                          |   |                          |       |                           |             |                          |   |                          |   |                           |       |       |             |          |
|-------|-------------|---------------------|----|---------------------|----|--------------------|----|--------|---|--------------------------|---|--------------------------|---|---------------------------|---|--------------------------|---|--------------------------|-------|---------------------------|-------------|--------------------------|---|--------------------------|---|---------------------------|-------|-------|-------------|----------|
| -     | -           | -                   | -  | -                   | -  | -                  | -  | -      | - | -                        | - | -                        | - | -                         | - | -                        | - | 294.7                    | 302.2 | 30                        | 3-1546306-0 |                          |   |                          |   |                           |       |       |             |          |
| -     | -           | -                   | -  | -                   | -  | -                  | -  | -      | - | -                        | - | -                        | - | -                         | - | -                        | - | -                        | 285.2 | 292.7                     | 29          | 2-1546306-9              |   |                          |   |                           |       |       |             |          |
| -     | -           | -                   | -  | -                   | -  | -                  | -  | -      | - | -                        | - | -                        | - | -                         | - | -                        | - | -                        | 275.7 | 283.2                     | 28          | 2-1546306-8              |   |                          |   |                           |       |       |             |          |
| -     | -           | -                   | -  | -                   | -  | -                  | -  | -      | - | -                        | - | -                        | - | -                         | - | -                        | - | -                        | 266.2 | 273.7                     | 27          | 2-1546306-7              |   |                          |   |                           |       |       |             |          |
| -     | -           | -                   | -  | -                   | -  | -                  | -  | -      | - | -                        | - | -                        | - | -                         | - | -                        | - | -                        | 256.7 | 264.2                     | 26          | 2-1546306-6              |   |                          |   |                           |       |       |             |          |
| -     | -           | -                   | -  | -                   | -  | -                  | -  | -      | - | -                        | - | -                        | - | -                         | - | -                        | - | -                        | 247.2 | 254.7                     | 25          | 2-1546306-5              |   |                          |   |                           |       |       |             |          |
| -     | -           | -                   | -  | -                   | -  | -                  | -  | -      | - | -                        | - | -                        | - | -                         | - | -                        | - | -                        | 237.7 | 245.2                     | 24          | 2-1546306-4              |   |                          |   |                           |       |       |             |          |
| -     | -           | -                   | -  | -                   | -  | -                  | -  | -      | - | -                        | - | -                        | - | -                         | - | -                        | - | -                        | 228.2 | 235.7                     | 23          | 2-1546306-3              |   |                          |   |                           |       |       |             |          |
| -     | -           | -                   | -  | -                   | -  | -                  | -  | -      | - | -                        | - | -                        | - | -                         | - | -                        | - | -                        | 218.7 | 226.2                     | 22          | 2-1546306-2              |   |                          |   |                           |       |       |             |          |
| -     | -           | -                   | -  | -                   | -  | -                  | -  | -      | - | -                        | - | -                        | - | -                         | - | -                        | - | -                        | 209.2 | 216.7                     | 21          | 2-1546306-1              |   |                          |   |                           |       |       |             |          |
| 1     | SPL MARKING | -                   | -  | -                   | -  | -                  | -  | -      | - | -                        | - | -                        | - | -                         | - | -                        | - | -                        | 199.7 | 207.2                     | 20          | 3-1546306-2              |   |                          |   |                           |       |       |             |          |
| -     | -           | -                   | -  | -                   | -  | -                  | -  | -      | - | -                        | - | -                        | - | -                         | - | -                        | - | -                        | 199.7 | 207.2                     | 20          | 2-1546306-0              |   |                          |   |                           |       |       |             |          |
| -     | -           | -                   | -  | -                   | -  | -                  | -  | -      | - | -                        | - | -                        | - | -                         | - | -                        | - | -                        | 190.2 | 197.7                     | 19          | 1-1546306-9              |   |                          |   |                           |       |       |             |          |
| NOTES | 13          | QC TAB .187 SS FLAT | 12 | QC TAB .187 SS FLAT | 11 | QC TAB .187 SS 90° | 10 | JUMPER | 9 | QC TAB DBL SIDE 90° .250 | 8 | QC TAB DBL SIDE 45° .250 | 7 | QC TAB DBL SIDE FLAT .250 | 6 | QC TAB DBL SIDE 90° .187 | 5 | QC TAB DBL SIDE 45° .187 | 4     | QC TAB DBL SIDE FLAT .187 | 3           | QC TAB SGL SIDE 90° .250 | 2 | QC TAB SGL SIDE 45° .250 | 1 | QC TAB SGL SIDE FLAT .250 | DIM B | DIM A | NO. OF POS. | PART NO. |

|   |  |                                |   |                       |
|---|--|--------------------------------|---|-----------------------|
| THIS DRAWING IS A CONTROLLED DOCUMENT.  |  | DWN<br>S SCHLEGEL<br>20AUG2002 |  TE Connectivity |                       |
| DIMENSIONS: MM  |  | CHK<br>C RICHARD<br>8/20/02    |   |                       |
| TOLERANCES UNLESS OTHERWISE SPECIFIED:  |  | APVD<br>C RICHARD<br>8/20/02   | NAME<br>9.50MM (.374) DBL ROW BARRIER STRIP W/O WASHER  |                       |
| 0 PLC ± -<br>1 PLC ± 0.3<br>2 PLC ± 0.25<br>3 PLC ± -<br>4 PLC ± -<br>ANGLES ± 2° |  | PRODUCT SPEC<br>-              | SIZE<br>A2  |                       |
| MATERIAL  |  | APPLICATION SPEC<br>-          | CAGE CODE<br>00779  | DRAWING NO<br>1546306 |
| FINISH  |  | WEIGHT<br>-                    | RESTRICTED TO<br>-  | SCALE<br>NTS          |
|   |  | CUSTOMER DRAWING               | SHEET<br>2 of 3   | REV<br>H2             |

THIS DRAWING IS UNPUBLISHED. RELEASED FOR PUBLICATION  
 © COPYRIGHT - By - ALL RIGHTS RESERVED.

| LOC |     | DIST        |      | REVISIONS |      |   |   |
|-----|-----|-------------|------|-----------|------|---|---|
| P   | LTR | DESCRIPTION | DATE | DWN       | APVD |   |   |
| -   | -   | SEE SHEET 1 | -    | -         | -    | - | - |



|  |  |                  |           |  |        |
|--|--|------------------|-----------|--|--------|
| THIS DRAWING IS A CONTROLLED DOCUMENT. |  | DWN              | 20AUG2002 | <b>TE</b> TE Connectivity                              |        |
|  |  | S                | SCHLEGEL  |  |        |
| DIMENSIONS: MM                         |  | CHK              | 8/20/02   | NAME<br>9.50MM (.374) DBL ROW BARRIER STRIP W/O WASHER |        |
| TOLERANCES UNLESS OTHERWISE SPECIFIED: |  | C                | RICHARD   |  |        |
| 0 PLC ± -                              |  | APVD             | 8/20/02   | SIZE<br>A2   |        |
| 1 PLC ± 0.3                            |  | C                | RICHARD   |  |        |
| 2 PLC ± 0.25                           |  | PRODUCT SPEC     |           | CAGE CODE<br>00779                                     |        |
| 3 PLC ± -                              |  | APPLICATION SPEC |           |  |        |
| 4 PLC ± -                              |  |                  |           | DRAWING NO<br>C=1546306                                |        |
| ANGLES ± 2°                            |  |                  |           |  |        |
| MATERIAL                               |  | WEIGHT           | -         | RESTRICTED TO<br>-                                     |        |
| FINISH                                 |  |                  |           |  |        |
|  |  | CUSTOMER DRAWING |           | SCALE  | NTS    |
|  |  |                  |           | SHEET  | 3 OF 3 |
|  |  |                  |           | REV  | H2     |

Компания «Океан Электроники» предлагает заключение долгосрочных отношений при поставках импортных электронных компонентов на взаимовыгодных условиях!

Наши преимущества:

- Поставка оригинальных импортных электронных компонентов напрямую с производств Америки, Европы и Азии, а так же с крупнейших складов мира;
- Широкая линейка поставок активных и пассивных импортных электронных компонентов (более 30 млн. наименований);
- Поставка сложных, дефицитных, либо снятых с производства позиций;
- Оперативные сроки поставки под заказ (от 5 рабочих дней);
- Экспресс доставка в любую точку России;
- Помощь Конструкторского Отдела и консультации квалифицированных инженеров;
- Техническая поддержка проекта, помощь в подборе аналогов, поставка прототипов;
- Поставка электронных компонентов под контролем ВП;
- Система менеджмента качества сертифицирована по Международному стандарту ISO 9001;
- При необходимости вся продукция военного и аэрокосмического назначения проходит испытания и сертификацию в лаборатории (по согласованию с заказчиком);
- Поставка специализированных компонентов военного и аэрокосмического уровня качества (Xilinx, Altera, Analog Devices, Intersil, Interpoint, Microsemi, Actel, Aeroflex, Peregrine, VPT, Syfer, Eurofarad, Texas Instruments, MS Kennedy, Miteq, Cobham, E2V, MA-COM, Hittite, Mini-Circuits, General Dynamics и др.);

Компания «Океан Электроники» является официальным дистрибьютором и эксклюзивным представителем в России одного из крупнейших производителей разъемов военного и аэрокосмического назначения «JONHON», а так же официальным дистрибьютором и эксклюзивным представителем в России производителя высокотехнологичных и надежных решений для передачи СВЧ сигналов «FORSTAR».



## JONHON

«JONHON» (основан в 1970 г.)

Разъемы специального, военного и аэрокосмического назначения:

(Применяются в военной, авиационной, аэрокосмической, морской, железнодорожной, горно- и нефтедобывающей отраслях промышленности)

«FORSTAR» (основан в 1998 г.)

ВЧ соединители, коаксиальные кабели, кабельные сборки и микроволновые компоненты:

(Применяются в телекоммуникациях гражданского и специального назначения, в средствах связи, РЛС, а так же военной, авиационной и аэрокосмической отраслях промышленности).



Телефон: 8 (812) 309-75-97 (многоканальный)

Факс: 8 (812) 320-03-32

Электронная почта: [ocean@oceanchips.ru](mailto:ocean@oceanchips.ru)

Web: <http://oceanchips.ru/>

Адрес: 198099, г. Санкт-Петербург, ул. Калинина, д. 2, корп. 4, лит. А