

# 74LVC125A

## Low-Voltage CMOS Quad Buffer

### With 5 V-Tolerant Inputs and Outputs (3-State, Non-Inverting)

The 74LVC125A is a high performance, non-inverting quad buffer operating from a 1.2 to 3.6 V supply. High impedance TTL compatible inputs significantly reduce current loading to input drivers while TTL compatible outputs offer improved switching noise performance. A  $V_I$  specification of 5.5 V allows 74LVC125A inputs to be safely driven from 5.0 V devices. The 74LVC125A is suitable for memory address driving and all TTL level bus oriented transceiver applications.

Current drive capability is 24 mA at the outputs. The Output Enable ( $\overline{OE}_n$ ) inputs, when HIGH, disable the outputs by placing them in a HIGH Z condition.

#### Features

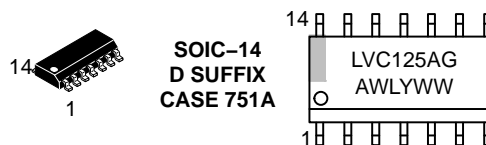
- Designed for 1.2 to 3.6 V  $V_{CC}$  Operation
- 5.0 V Tolerant – Interface Capability With 5.0 V TTL Logic
- Supports Live Insertion and Withdrawal
- $I_{OFF}$  Specification Guarantees High Impedance When  $V_{CC} = 0$  V
- 24 mA Output Sink and Source Capability
- Near Zero Static Supply Current in all Three Logic States (10  $\mu$ A)  
Substantially Reduces System Power Requirements
- ESD Performance:     Human Body Model >2000 V  
                              Machine Model >200 V
- These Devices are Pb-Free, Halogen Free/BFR Free and are RoHS Compliant



ON Semiconductor®

[www.onsemi.com](http://www.onsemi.com)

#### MARKING DIAGRAMS



A = Assembly Location  
L, WL = Wafer Lot  
Y, YY = Year  
W, WW = Work Week  
G or ▪ = Pb-Free Package

(Note: Microdot may be in either location)

#### ORDERING INFORMATION

See detailed ordering and shipping information in the package dimensions section on page 7 of this data sheet.

# 74LVC125A

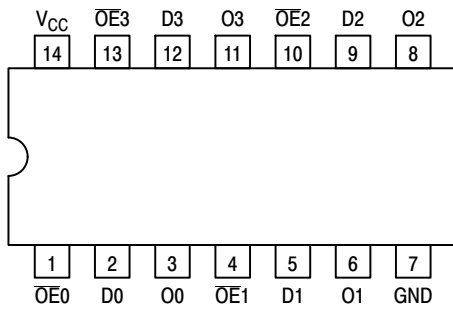


Figure 1. Pinout: 14-Lead (Top View)

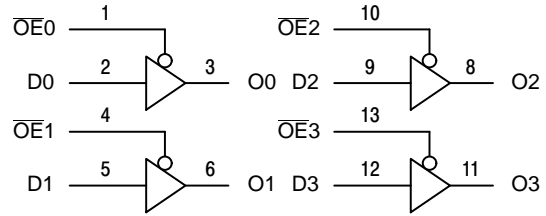


Figure 2. Logic Diagram

## PIN NAMES

| Pins             | Function             |
|------------------|----------------------|
| $\overline{OEn}$ | Output Enable Inputs |
| $Dn$             | Data Inputs          |
| $On$             | 3-State Outputs      |

## TRUTH TABLE

| INPUTS           |      | OUTPUTS |
|------------------|------|---------|
| $\overline{OEn}$ | $Dn$ | $On$    |
| L                | L    | L       |
| L                | H    | H       |
| H                | X    | Z       |

H = High Voltage Level  
 L = Low Voltage Level  
 Z = High Impedance State  
 X = High or Low Voltage Level and Transitions Are Acceptable; for  $I_{CC}$  reasons, DO NOT FLOAT Inputs

# 74LVC125A

## MAXIMUM RATINGS

| Symbol        | Parameter                                       | Value                             | Condition                            | Unit |
|---------------|---|-----------------------------------|--------------------------------------|------|
| $V_{CC}$      | DC Supply Voltage                               | -0.5 to +6.5                      |                                      | V    |
| $V_I$         | DC Input Voltage                                | $-0.5 \leq V_I \leq +6.5$         |                                      | V    |
| $V_O$         | DC Output Voltage                               | $-0.5 \leq V_O \leq +6.5$         | Output in 3-State                    | V    |
|               |   | $-0.5 \leq V_O \leq V_{CC} + 0.5$ | Output in HIGH or LOW State (Note 1) | V    |
| $I_{IK}$      | DC Input Diode Current                          | -50                               | $V_I < GND$                          | mA   |
| $I_{OK}$      | DC Output Diode Current                         | -50                               | $V_O < GND$                          | mA   |
|               |   | +50                               | $V_O > V_{CC}$                       | mA   |
| $I_O$         | DC Output Source/Sink Current                   | $\pm 50$                          |                                      | mA   |
| $I_{CC}$      | DC Supply Current Per Supply Pin                | $\pm 100$                         |                                      | mA   |
| $I_{GND}$     | DC Ground Current Per Ground Pin                | $\pm 100$                         |                                      | mA   |
| $T_{STG}$     | Storage Temperature Range                       | -65 to +150                       |                                      | °C   |
| $T_L$         | Lead Temperature, 1 mm from Case for 10 Seconds | $T_L = 260$                       |                                      | °C   |
| $T_J$         | Junction Temperature Under Bias                 | $T_J = 135$                       |                                      | °C   |
| $\theta_{JA}$ | Thermal Resistance (Note 2)                     | SOIC = 85<br>TSSOP = 100          |                                      | °C/W |
| MSL           | Moisture Sensitivity                            |                                   | Level 1                              |      |

Stresses exceeding those listed in the Maximum Ratings table may damage the device. If any of these limits are exceeded, device functionality should not be assumed, damage may occur and reliability may be affected.

1.  $I_O$  absolute maximum rating must be observed.

2. Measured with minimum pad spacing on an FR4 board, using 10 mm-by-1 inch, 2 ounce copper trace no air flow.

## RECOMMENDED OPERATING CONDITIONS

| Symbol              | Parameter   | Min         | Typ | Max             | Units |
|---------------------|---|-------------|-----|-----------------|-------|
| $V_{CC}$            | Supply Voltage<br>Operating<br>Functional   | 1.65<br>1.2 |     | 3.6<br>3.6      | V     |
| $V_I$               | Input Voltage   | 0           |     | 5.5             | V     |
| $V_O$               | Output Voltage<br>HIGH or LOW State<br>3-State  | 0<br>0      |     | $V_{CC}$<br>5.5 | V     |
| $I_{OH}$            | HIGH Level Output Current<br>$V_{CC} = 3.0\text{ V} - 3.6\text{ V}$<br>$V_{CC} = 2.7\text{ V} - 3.0\text{ V}$               |             |     | -24<br>-12      | mA    |
| $I_{OL}$            | LOW Level Output Current<br>$V_{CC} = 3.0\text{ V} - 3.6\text{ V}$<br>$V_{CC} = 2.7\text{ V} - 3.0\text{ V}$                |             |     | 24<br>12        | mA    |
| $T_A$               | Operating Free-Air Temperature  | -40         |     | +125            | °C    |
| $\Delta t/\Delta V$ | Input Transition Rise or Fall Rate<br>$V_{CC} = 1.65\text{ V to } 2.7\text{ V}$<br>$V_{CC} = 2.7\text{ V to } 3.6\text{ V}$ | 0<br>0      |     | 20<br>10        | ns/V  |

Functional operation above the stresses listed in the Recommended Operating Ranges is not implied. Extended exposure to stresses beyond the Recommended Operating Ranges limits may affect device reliability.

# 74LVC125A

## DC ELECTRICAL CHARACTERISTICS

| Symbol           | Parameter                 | Conditions  | -40°C to +85°C         |              |                        | -40°C to +125°C        |              |                        | Unit |
|------------------|---------------------------|---|------------------------|--------------|------------------------|------------------------|--------------|------------------------|------|
|                  |                           |   | Min                    | Typ (Note 3) | Max                    | Min                    | Typ (Note 3) | Max                    |      |
| V <sub>IH</sub>  | HIGH-level input voltage  | V <sub>CC</sub> = 1.2 V   | 1.08                   | -            | -                      | 1.08                   | -            | -                      | V    |
|                  |                           | V <sub>CC</sub> = 1.65 V to 1.95 V  | 0.65 x V <sub>CC</sub> | -            | -                      | 0.65 x V <sub>CC</sub> | -            | -                      |      |
|                  |                           | V <sub>CC</sub> = 2.3 V to 2.7 V  | 1.7                    | -            | -                      | 1.7                    | -            | -                      |      |
|                  |                           | V <sub>CC</sub> = 2.7 V to 3.6 V  | 2.0                    | -            | -                      | 2.0                    | -            | -                      |      |
| V <sub>IL</sub>  | LOW-level input voltage   | V <sub>CC</sub> = 1.2 V   | -                      | -            | 0.12                   | -                      | -            | 0.12                   | V    |
|                  |                           | V <sub>CC</sub> = 1.65 V to 1.95 V  | -                      | -            | 0.35 x V <sub>CC</sub> | -                      | -            | 0.35 x V <sub>CC</sub> |      |
|                  |                           | V <sub>CC</sub> = 2.3 V to 2.7 V  | -                      | -            | 0.7                    | -                      | -            | 0.7                    |      |
|                  |                           | V <sub>CC</sub> = 2.7 V to 3.6 V  | -                      | -            | 0.8                    | -                      | -            | 0.8                    |      |
| V <sub>OH</sub>  | HIGH-level output voltage | V <sub>I</sub> = V <sub>IH</sub> or V <sub>IL</sub>   |                        |              |                        |                        |              |                        | V    |
|                  |                           | I <sub>O</sub> = -100 μA; V <sub>CC</sub> = 1.65 V to 3.6 V   | V <sub>CC</sub> - 0.2  | -            | -                      | V <sub>CC</sub> - 0.3  | -            | -                      |      |
|                  |                           | I <sub>O</sub> = -4 mA; V <sub>CC</sub> = 1.65 V  | 1.2                    | -            | -                      | 1.05                   | -            | -                      |      |
|                  |                           | I <sub>O</sub> = -8 mA; V <sub>CC</sub> = 2.3 V   | 1.8                    | -            | -                      | 1.65                   | -            | -                      |      |
|                  |                           | I <sub>O</sub> = -12 mA; V <sub>CC</sub> = 2.7 V  | 2.2                    | -            | -                      | 2.05                   | -            | -                      |      |
|                  |                           | I <sub>O</sub> = -18 mA; V <sub>CC</sub> = 3.0 V  | 2.4                    | -            | -                      | 2.25                   | -            | -                      |      |
|                  |                           | I <sub>O</sub> = -24 mA; V <sub>CC</sub> = 3.0 V  | 2.2                    | -            | -                      | 2.0                    | -            | -                      |      |
| V <sub>OL</sub>  | LOW-level output voltage  | V <sub>I</sub> = V <sub>IH</sub> or V <sub>IL</sub>   |                        |              |                        |                        |              |                        | V    |
|                  |                           | I <sub>O</sub> = 100 μA; V <sub>CC</sub> = 1.65 V to 3.6 V  | -                      | -            | 0.2                    | -                      | -            | 0.3                    |      |
|                  |                           | I <sub>O</sub> = 4 mA; V <sub>CC</sub> = 1.65 V   | -                      | -            | 0.45                   | -                      | -            | 0.65                   |      |
|                  |                           | I <sub>O</sub> = 8 mA; V <sub>CC</sub> = 2.3 V  | -                      | -            | 0.6                    | -                      | -            | 0.8                    |      |
|                  |                           | I <sub>O</sub> = 12 mA; V <sub>CC</sub> = 2.7 V   | -                      | -            | 0.4                    | -                      | -            | 0.6                    |      |
|                  |                           | I <sub>O</sub> = 24 mA; V <sub>CC</sub> = 3.0 V   | -                      | -            | 0.55                   | -                      | -            | 0.8                    |      |
| I <sub>I</sub>   | Input leakage current     | V <sub>I</sub> = 5.5V or GND; V <sub>CC</sub> = 3.6 V   | -                      | ±0.1         | ±5                     | -                      | ±0.1         | ±20                    | μA   |
| I <sub>OZ</sub>  | OFF-state output current  | V <sub>I</sub> = V <sub>IH</sub> or V <sub>IL</sub> ; V <sub>O</sub> = 5.5 V or GND; V <sub>CC</sub> = 3.6 V    | -                      | ±0.1         | ±5                     | -                      | ±0.1         | ±20                    | μA   |
| I <sub>OFF</sub> | Power-off leakage current | V <sub>I</sub> or V <sub>O</sub> = 5.5 V; V <sub>CC</sub> = 0.0 V   | -                      | ±0.1         | ±10                    | -                      | ±0.1         | ±20                    | μA   |
| I <sub>CC</sub>  | Supply current            | V <sub>I</sub> = V <sub>CC</sub> or GND; I <sub>O</sub> = 0 A; V <sub>CC</sub> = 3.6 V                          | -                      | 0.1          | 10                     | -                      | 0.1          | 40                     | μA   |
| ΔI <sub>CC</sub> | Additional supply current | per input pin; V <sub>I</sub> = V <sub>CC</sub> - 0.6 V; I <sub>O</sub> = 0 A; V <sub>CC</sub> = 2.7 V to 3.6 V | -                      | 5            | 500                    | -                      | 5            | 5000                   | μA   |

Product parametric performance is indicated in the Electrical Characteristics for the listed test conditions, unless otherwise noted. Product performance may not be indicated by the Electrical Characteristics if operated under different conditions.

3. All typical values are measured at T<sub>A</sub> = 25°C and V<sub>CC</sub> = 3.3 V, unless stated otherwise.

# 74LVC125A

## AC ELECTRICAL CHARACTERISTICS ( $t_R = t_F = 2.5$ ns)

| Symbol      | Parameter                              | Conditions                    | -40°C to +85°C |                  |      | -40°C to +125°C |                  |      | Unit |
|-------------|--|-------------------------------|----------------|------------------|------|-----------------|------------------|------|------|
|             |  |                               | Min            | Typ <sup>1</sup> | Max  | Min             | Typ <sup>1</sup> | Max  |      |
| $t_{pd}$    | Propagation Delay (Note 5)<br>Dn to On | $V_{CC} = 1.2$ V              | –              | 12.0             | –    | –               | –                | –    | ns   |
|             |  | $V_{CC} = 1.65$ V to $1.95$ V | 1.5            | 5.4              | 11.0 | 1.5             | –                | 12.8 |      |
|             |  | $V_{CC} = 2.3$ V to $2.7$ V   | 1.0            | 2.9              | 5.7  | 1.0             | –                | 6.7  |      |
|             |  | $V_{CC} = 2.7$ V              | 1.5            | 2.8              | 5.5  | 1.5             | –                | 7.0  |      |
|             |  | $V_{CC} = 3.0$ V to $3.6$ V   | 1.0            | 2.5              | 4.8  | 1.0             | –                | 6.0  |      |
| $t_{en}$    | Enable Time (Note 6)<br>OEn to On      | $V_{CC} = 1.2$ V              | –              | 16.0             | –    | –               | –                | –    | ns   |
|             |  | $V_{CC} = 1.65$ V to $1.95$ V | 1.0            | 5.0              | 12.2 | 1.0             | –                | 14.2 |      |
|             |  | $V_{CC} = 2.3$ V to $2.7$ V   | 0.5            | 2.9              | 6.8  | 0.5             | –                | 7.9  |      |
|             |  | $V_{CC} = 2.7$ V              | 1.5            | 3.1              | 6.6  | 1.5             | –                | 8.5  |      |
|             |  | $V_{CC} = 3.0$ V to $3.6$ V   | 1.0            | 2.3              | 5.4  | 1.0             | –                | 7.0  |      |
| $t_{dis}$   | Disable Time (Note 7)<br>OEn to On     | $V_{CC} = 1.2$ V              | –              | 7.0              | –    | –               | –                | –    | ns   |
|             |  | $V_{CC} = 1.65$ V to $1.95$ V | 2.2            | 4.6              | 7.5  | 2.2             | –                | 8.7  |      |
|             |  | $V_{CC} = 2.3$ V to $2.7$ V   | 0.5            | 2.6              | 4.2  | 0.5             | –                | 5.0  |      |
|             |  | $V_{CC} = 2.7$ V              | 1.5            | 3.1              | 5.0  | 1.5             | –                | 6.5  |      |
|             |  | $V_{CC} = 3.0$ V to $3.6$ V   | 1.0            | 3.2              | 4.6  | 1.0             | –                | 6.0  |      |
| $t_{sk(0)}$ | Output Skew Time (Note 8)              |                               | –              | –                | 1    | –               | –                | 1.5  | ns   |

Product parametric performance is indicated in the Electrical Characteristics for the listed test conditions, unless otherwise noted. Product performance may not be indicated by the Electrical Characteristics if operated under different conditions.

4. Typical values are measured at  $T_A = 25^\circ\text{C}$  and  $V_{CC} = 3.3$  V, unless stated otherwise.

5.  $t_{pd}$  is the same as  $t_{PLH}$  and  $t_{PHL}$ .

6.  $t_{en}$  is the same as  $t_{PZL}$  and  $t_{PZH}$ .

7.  $t_{dis}$  is the same as  $t_{PLZ}$  and  $t_{PHZ}$ .

8. Skew between any two outputs of the same package switching in the same direction. This parameter is guaranteed by design.

## DYNAMIC SWITCHING CHARACTERISTICS

| Symbol    | Characteristic                      | Condition  | $T_A = +25^\circ\text{C}$ |              |     | Unit |
|-----------|-------------------------------------|--|---------------------------|--------------|-----|------|
|           |                                     |  | Min                       | Typ          | Max |      |
| $V_{OLP}$ | Dynamic LOW Peak Voltage (Note 9)   | $V_{CC} = 3.3$ V, $C_L = 50$ pF, $V_{IH} = 3.3$ V, $V_{IL} = 0$ V<br>$V_{CC} = 2.5$ V, $C_L = 30$ pF, $V_{IH} = 2.5$ V, $V_{IL} = 0$ V |                           | 0.8<br>0.6   |     | V    |
| $V_{OLV}$ | Dynamic LOW Valley Voltage (Note 9) | $V_{CC} = 3.3$ V, $C_L = 50$ pF, $V_{IH} = 3.3$ V, $V_{IL} = 0$ V<br>$V_{CC} = 2.5$ V, $C_L = 30$ pF, $V_{IH} = 2.5$ V, $V_{IL} = 0$ V |                           | -0.8<br>-0.6 |     | V    |

9. Number of outputs defined as “n”. Measured with “n-1” outputs switching from HIGH-to-LOW or LOW-to-HIGH. The remaining output is measured in the LOW state.

## CAPACITIVE CHARACTERISTICS

| Symbol    | Parameter                               | Condition                                 | Typical | Unit |
|-----------|---|---|---------|------|
| $C_{IN}$  | Input Capacitance                       | $V_{CC} = 3.3$ V, $V_I = 0$ V or $V_{CC}$ | 4.0     | pF   |
| $C_{OUT}$ | Output Capacitance                      | $V_{CC} = 3.3$ V, $V_I = 0$ V or $V_{CC}$ | 5.0     | pF   |
| $C_{PD}$  | Power Dissipation Capacitance (Note 10) | Per input; $V_I = \text{GND}$ or $V_{CC}$ |         | pF   |
|           |   | $V_{CC} = 1.65$ V to $1.95$ V             | 6.0     |      |
|           |   | $V_{CC} = 2.3$ V to $2.7$ V               | 9.4     |      |
|           |   | $V_{CC} = 3.0$ V to $3.6$ V               | 12.4    |      |

10.  $C_{PD}$  is used to determine the dynamic power dissipation ( $P_D$  in  $\mu\text{W}$ ).

$P_D = C_{PD} \times V_{CC}^2 \times f_i \times N + \sum (C_L \times V_{CC}^2 \times f_o)$  where:

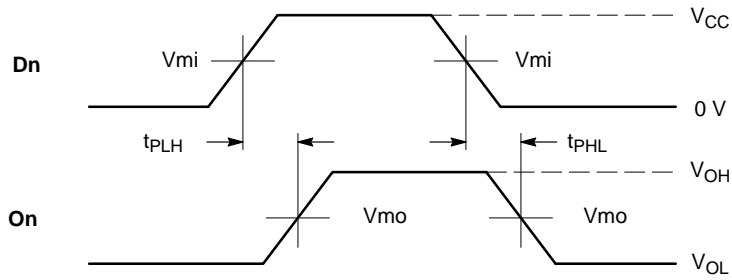
$f_i$  = input frequency in MHz;  $f_o$  = output frequency in MHz

$C_L$  = output load capacitance in pF  $V_{CC}$  = supply voltage in Volts

$N$  = number of outputs switching

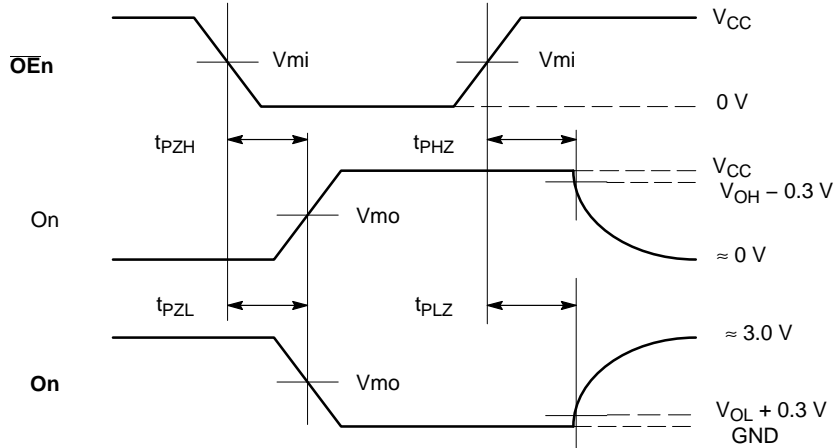
$\sum(C_L \times V_{CC}^2 \times f_o)$  = sum of the outputs.

# 74LVC125A



**WAVEFORM 1 – PROPAGATION DELAYS**

$t_R = t_F = 2.5 \text{ ns}$ , 10% to 90%;  $f = 1 \text{ MHz}$ ;  $t_W = 500 \text{ ns}$



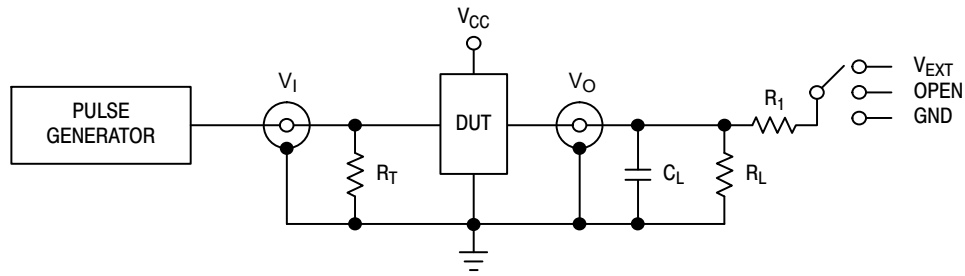
**WAVEFORM 2 – OUTPUT ENABLE AND DISABLE TIMES**

$t_R = t_F = 2.5 \text{ ns}$ , 10% to 90%;  $f = 1 \text{ MHz}$ ;  $t_W = 500 \text{ ns}$

**Figure 3. AC Waveforms**

| Symbol          | V <sub>CC</sub>         |                         |                          |
|-----------------|-------------------------|-------------------------|--------------------------|
|                 | 3.3 V ± 0.3 V           | 2.7 V                   | V <sub>CC</sub> < 2.7 V  |
| V <sub>mi</sub> | 1.5 V                   | 1.5 V                   | V <sub>CC</sub> /2       |
| V <sub>mo</sub> | 1.5 V                   | 1.5 V                   | V <sub>CC</sub> /2       |
| V <sub>HZ</sub> | V <sub>OL</sub> + 0.3 V | V <sub>OL</sub> + 0.3 V | V <sub>OL</sub> + 0.15 V |
| V <sub>LZ</sub> | V <sub>OH</sub> - 0.3 V | V <sub>OH</sub> - 0.3 V | V <sub>OH</sub> - 0.15 V |

# 74LVC125A



$C_L$  includes jig and probe capacitance  
 $R_T = Z_{OUT}$  of pulse generator (typically 50  $\Omega$ )  
 $R_1 = R_L$

| Supply Voltage | Input    |               | Load  |              | $V_{EXT}$          |                    |                    |
|----------------|----------|---------------|-------|--------------|--------------------|--------------------|--------------------|
| $V_{CC}$ (V)   | $V_I$    | $t_r, t_f$    | $C_L$ | $R_L$        | $t_{PLH}, t_{PHL}$ | $t_{PLZ}, t_{PZL}$ | $t_{PHZ}, t_{PZH}$ |
| 1.2            | $V_{CC}$ | $\leq 2$ ns   | 30 pF | 1 k $\Omega$ | Open               | $2 \times V_{CC}$  | GND                |
| 1.65 – 1.95    | $V_{CC}$ | $\leq 2$ ns   | 30 pF | 1 k $\Omega$ | Open               | $2 \times V_{CC}$  | GND                |
| 2.3 – 2.7      | $V_{CC}$ | $\leq 2$ ns   | 30 pF | 500 $\Omega$ | Open               | $2 \times V_{CC}$  | GND                |
| 2.7            | 2.7 V    | $\leq 2.5$ ns | 50 pF | 500 $\Omega$ | Open               | $2 \times V_{CC}$  | GND                |
| 3 – 3.6        | 2.7 V    | $\leq 2.5$ ns | 50 pF | 500 $\Omega$ | Open               | $2 \times V_{CC}$  | GND                |

Figure 4. Test Circuit

## ORDERING INFORMATION

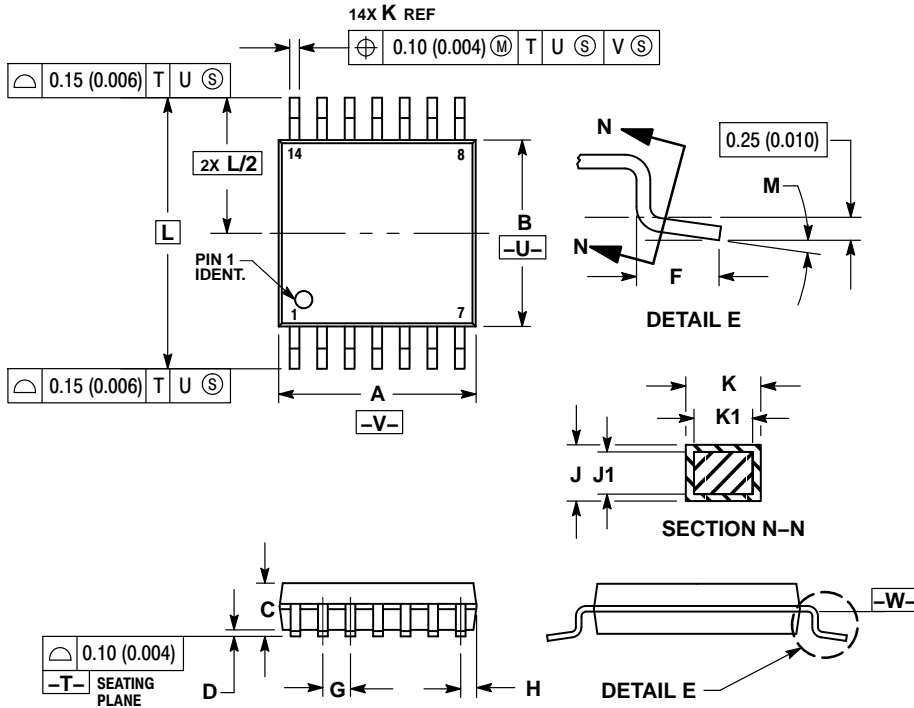
| Device         | Package               | Shipping <sup>†</sup> |
|----------------|-----------------------|-----------------------|
| 74LVC125ADR2G  | SOIC-14<br>(Pb-Free)  | 2500 / Tape & Reel    |
| 74LVC125ADTR2G | TSSOP-14<br>(Pb-Free) | 2500 / Tape & Reel    |

<sup>†</sup>For information on tape and reel specifications, including part orientation and tape sizes, please refer to our Tape and Reel Packaging Specifications Brochure, BRD8011/D.

# 74LVC125A

## PACKAGE DIMENSIONS

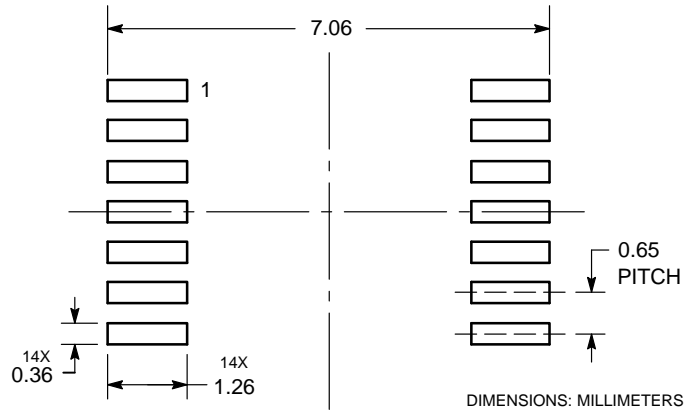
TSSOP-14  
CASE 948G  
ISSUE B



- NOTES:
1. DIMENSIONING AND TOLERANCING PER ANSI Y14.5M, 1982.
  2. CONTROLLING DIMENSION: MILLIMETER.
  3. DIMENSION A DOES NOT INCLUDE MOLD FLASH, PROTRUSIONS OR GATE BURRS. MOLD FLASH OR GATE BURRS SHALL NOT EXCEED 0.15 (0.006) PER SIDE.
  4. DIMENSION B DOES NOT INCLUDE INTERLEAD FLASH OR PROTRUSION. INTERLEAD FLASH OR PROTRUSION SHALL NOT EXCEED 0.25 (0.010) PER SIDE.
  5. DIMENSION K DOES NOT INCLUDE DAMBAR PROTRUSION. ALLOWABLE DAMBAR PROTRUSION SHALL BE 0.08 (0.003) TOTAL IN EXCESS OF THE K DIMENSION AT MAXIMUM MATERIAL CONDITION.
  6. TERMINAL NUMBERS ARE SHOWN FOR REFERENCE ONLY.
  7. DIMENSION A AND B ARE TO BE DETERMINED AT DATUM PLANE -W-.

| DIM | MILLIMETERS |      | INCHES    |       |
|-----|-------------|------|-----------|-------|
|     | MIN         | MAX  | MIN       | MAX   |
| A   | 4.90        | 5.10 | 0.193     | 0.200 |
| B   | 4.30        | 4.50 | 0.169     | 0.177 |
| C   | ---         | 1.20 | ---       | 0.047 |
| D   | 0.05        | 0.15 | 0.002     | 0.006 |
| F   | 0.50        | 0.75 | 0.020     | 0.030 |
| G   | 0.65 BSC    |      | 0.026 BSC |       |
| H   | 0.50        | 0.60 | 0.020     | 0.024 |
| J   | 0.09        | 0.20 | 0.004     | 0.008 |
| J1  | 0.09        | 0.16 | 0.004     | 0.006 |
| K   | 0.19        | 0.30 | 0.007     | 0.012 |
| K1  | 0.19        | 0.25 | 0.007     | 0.010 |
| L   | 6.40 BSC    |      | 0.252 BSC |       |
| M   | 0°          | 8°   | 0°        | 8°    |

### SOLDERING FOOTPRINT\*



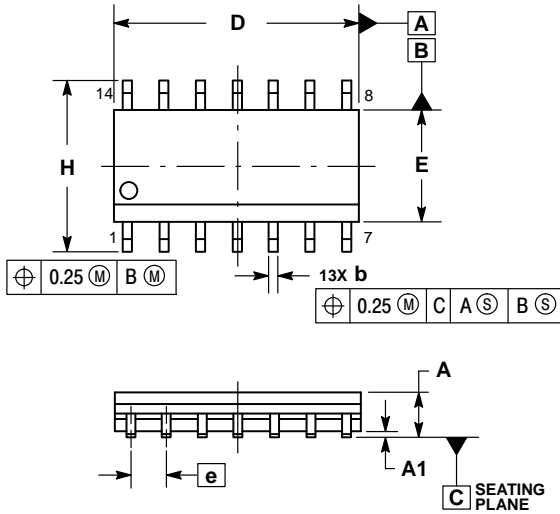
\*For additional information on our Pb-Free strategy and soldering details, please download the ON Semiconductor Soldering and Mounting Techniques Reference Manual, SOLDERRM/D.



# 74LVC125A

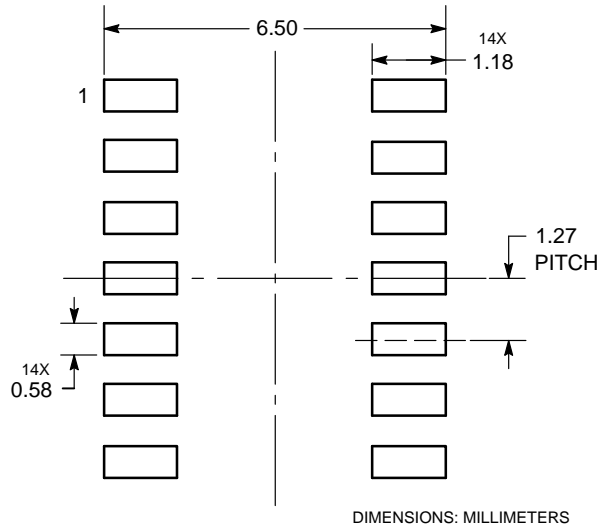
## PACKAGE DIMENSIONS

### SOIC-14 NB CASE 751A-03 ISSUE K



- NOTES:
1. DIMENSIONING AND TOLERANCING PER ASME Y14.5M, 1994.
  2. CONTROLLING DIMENSION: MILLIMETERS.
  3. DIMENSION b DOES NOT INCLUDE DAMBAR PROTRUSION. ALLOWABLE PROTRUSION SHALL BE 0.13 TOTAL IN EXCESS OF AT MAXIMUM MATERIAL CONDITION.
  4. DIMENSIONS D AND E DO NOT INCLUDE MOLD PROTRUSIONS.
  5. MAXIMUM MOLD PROTRUSION 0.15 PER SIDE.

### SOLDERING FOOTPRINT\*



\*For additional information on our Pb-Free strategy and soldering details, please download the ON Semiconductor Soldering and Mounting Techniques Reference Manual, SOLDERRM/D.

ON Semiconductor and are registered trademarks of Semiconductor Components Industries, LLC (SCILLC). SCILLC owns the rights to a number of patents, trademarks, copyrights, trade secrets, and other intellectual property. A listing of SCILLC's product/patent coverage may be accessed at [www.onsemi.com/site/pdf/Patent-Marking.pdf](http://www.onsemi.com/site/pdf/Patent-Marking.pdf). SCILLC reserves the right to make changes without further notice to any products herein. SCILLC makes no warranty, representation or guarantee regarding the suitability of its products for any particular purpose, nor does SCILLC assume any liability arising out of the application or use of any product or circuit, and specifically disclaims any and all liability, including without limitation special, consequential or incidental damages. "Typical" parameters which may be provided in SCILLC data sheets and/or specifications can and do vary in different applications and actual performance may vary over time. All operating parameters, including "Typicals" must be validated for each customer application by customer's technical experts. SCILLC does not convey any license under its patent rights nor the rights of others. SCILLC products are not designed, intended, or authorized for use as components in systems intended for surgical implant into the body, or other applications intended to support or sustain life, or for any other application in which the failure of the SCILLC product could create a situation where personal injury or death may occur. Should Buyer purchase or use SCILLC products for any such unintended or unauthorized application, Buyer shall indemnify and hold SCILLC and its officers, employees, subsidiaries, affiliates, and distributors harmless against all claims, costs, damages, and expenses, and reasonable attorney fees arising out of, directly or indirectly, any claim of personal injury or death associated with such unintended or unauthorized use, even if such claim alleges that SCILLC was negligent regarding the design or manufacture of the part. SCILLC is an Equal Opportunity/Affirmative Action Employer. This literature is subject to all applicable copyright laws and is not for resale in any manner.

### PUBLICATION ORDERING INFORMATION

**LITERATURE FULFILLMENT:**  
Literature Distribution Center for ON Semiconductor  
P.O. Box 5163, Denver, Colorado 80217 USA  
Phone: 303-675-2175 or 800-344-3860 Toll Free USA/Canada  
Fax: 303-675-2176 or 800-344-3867 Toll Free USA/Canada  
Email: [orderlit@onsemi.com](mailto:orderlit@onsemi.com)

**N. American Technical Support:** 800-282-9855 Toll Free  
USA/Canada  
**Europe, Middle East and Africa Technical Support:**  
Phone: 421 33 790 2910  
**Japan Customer Focus Center**  
Phone: 81-3-5817-1050

**ON Semiconductor Website:** [www.onsemi.com](http://www.onsemi.com)  
**Order Literature:** <http://www.onsemi.com/orderlit>

For additional information, please contact your local Sales Representative

Компания «Океан Электроники» предлагает заключение долгосрочных отношений при поставках импортных электронных компонентов на взаимовыгодных условиях!

Наши преимущества:

- Поставка оригинальных импортных электронных компонентов напрямую с производств Америки, Европы и Азии, а так же с крупнейших складов мира;
- Широкая линейка поставок активных и пассивных импортных электронных компонентов (более 30 млн. наименований);
- Поставка сложных, дефицитных, либо снятых с производства позиций;
- Оперативные сроки поставки под заказ (от 5 рабочих дней);
- Экспресс доставка в любую точку России;
- Помощь Конструкторского Отдела и консультации квалифицированных инженеров;
- Техническая поддержка проекта, помощь в подборе аналогов, поставка прототипов;
- Поставка электронных компонентов под контролем ВП;
- Система менеджмента качества сертифицирована по Международному стандарту ISO 9001;
- При необходимости вся продукция военного и аэрокосмического назначения проходит испытания и сертификацию в лаборатории (по согласованию с заказчиком);
- Поставка специализированных компонентов военного и аэрокосмического уровня качества (Xilinx, Altera, Analog Devices, Intersil, Interpoint, Microsemi, Actel, Aeroflex, Peregrine, VPT, Syfer, Eurofarad, Texas Instruments, MS Kennedy, Miteq, Cobham, E2V, MA-COM, Hittite, Mini-Circuits, General Dynamics и др.);

Компания «Океан Электроники» является официальным дистрибьютором и эксклюзивным представителем в России одного из крупнейших производителей разъемов военного и аэрокосмического назначения «**JONHON**», а так же официальным дистрибьютором и эксклюзивным представителем в России производителя высокотехнологичных и надежных решений для передачи СВЧ сигналов «**FORSTAR**».



## JONHON

«**JONHON**» (основан в 1970 г.)

Разъемы специального, военного и аэрокосмического назначения:

(Применяются в военной, авиационной, аэрокосмической, морской, железнодорожной, горно- и нефтедобывающей отраслях промышленности)

«**FORSTAR**» (основан в 1998 г.)

ВЧ соединители, коаксиальные кабели,  
кабельные сборки и микроволновые компоненты:

(Применяются в телекоммуникациях гражданского и специального назначения, в средствах связи, РЛС, а так же военной, авиационной и аэрокосмической отраслях промышленности).



Телефон: 8 (812) 309-75-97 (многоканальный)

Факс: 8 (812) 320-03-32

Электронная почта: [ocean@oceanchips.ru](mailto:ocean@oceanchips.ru)

Web: <http://oceanchips.ru/>

Адрес: 198099, г. Санкт-Петербург, ул. Калинина, д. 2, корп. 4, лит. А