

Description

These devices are precision timing circuits capable of producing accurate time delays or oscillation. In the time-delay or monostable mode of operation, the timed interval is controlled by a single external resistor and capacitor network. In the astable mode of operation, the frequency and duty cycle can be controlled independently with two external resistors and a single external capacitor.

The threshold and trigger levels normally are two-thirds and one-third, respectively, of V_{CC} . These levels can be altered by use of the control-voltage terminal. When the trigger input falls below the trigger level, the flip-flop is set, and the output goes high. If the trigger input is above the trigger level and the threshold input is above the threshold level, the flip-flop is reset and the output is low. The reset (RESET) input can override all other inputs and can be used to initiate a new timing cycle. When RESET goes low, the flip-flop is reset, and the output goes low. When the output is low, a low-impedance path is provided between discharge (DISCH) and ground.

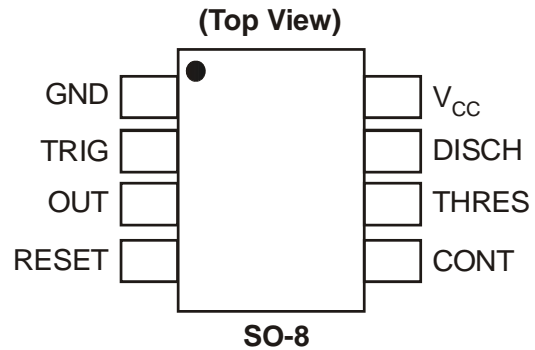
The output circuit is capable of sinking or sourcing current up to 200mA. Operation is specified for supplies of 5V to 15V. With a 5-V supply, output levels are compatible with TTL inputs.

Features

- Timing from microseconds to hours
- Astable or monostable operation
- Adjustable duty cycle
- TTL compatible output can source or sink up to 200mA
- "Green" Molding Compound (No Br, Sb)
- Lead Free Finish/ RoHS Compliant (Note 1)

Notes: 1. EU Directive 2002/95/EC (RoHS). All applicable RoHS exemptions applied. Please visit our website at http://www.diodes.com/products/lead_free.html.

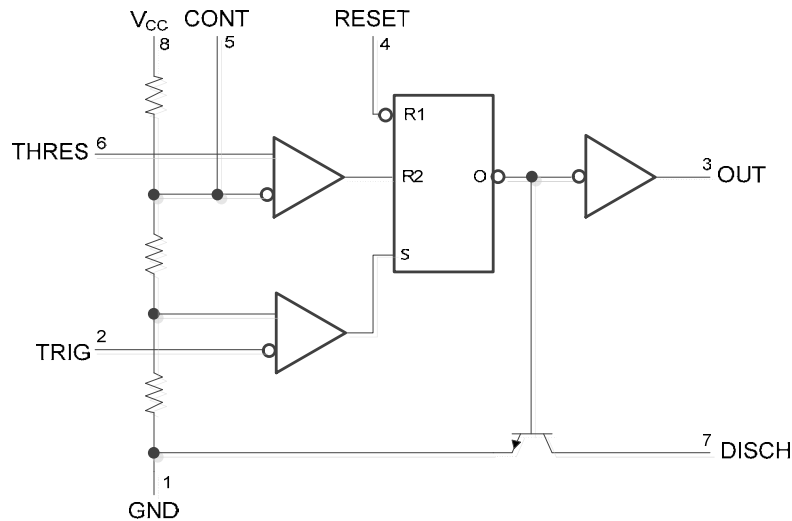
Pin Assignments



Pin Descriptions

| Pin Name | Pin Number | Description |
|----------|------------|--|
| GND | 1 | Ground |
| TRIG | 2 | Trigger set $1/3V_{CC}$ |
| OUT | 3 | Timer output |
| RESET | 4 | Reset active low |
| CONT | 5 | External adjustment of internal threshold and trigger voltages |
| THRES | 6 | Threshold set to $2/3 V_{CC}$ |
| DISCH | 7 | Low impedance discharge path |
| V_{CC} | 8 | Chip supply voltage |

Functional Block Diagram



RESET can override TRIG, which can override THRESH

Functional Table

| Pin Name | Nominal Trigger Voltage | Threshold Voltage | Output | Discharge Switch |
|----------|-------------------------|-------------------|---------------------------|------------------|
| GND | Irrelevant | Irrelevant | Low | On |
| TRIG | $<1/3V_{CC}$ | Irrelevant | High | Off |
| OUT | $<1/3V_{CC}$ | $<2/3V_{CC}$ | Low | On |
| RESET | $<1/3V_{CC}$ | $<2/3V_{CC}$ | As previously established | |

Absolute Maximum Ratings (Note 2) @ $T_A = 25^\circ\text{C}$ unless otherwise stated

| Symbol | Parameter | Rating | Unit |
|---------------|---|--------------------------|---------------------------|
| V_{CC} | Supply voltage (Note 3) | 18 | V |
| V_I | Input voltage | CONT, RESET, THRES, TRIG | V_{CC} |
| I_O | Output current | ± 225 | mA |
| θ_{JA} | Package thermal resistance Junction-to-Ambient (Note 4) | 130 | $^\circ\text{C}/\text{W}$ |
| θ_{JC} | Package thermal resistance Junction-to-Case (Note 5) | 15 | $^\circ\text{C}/\text{W}$ |
| T_J | Junction temperature | 150 | $^\circ\text{C}$ |
| T_{STG} | Storage temperature | -65 to 150 | $^\circ\text{C}$ |

Recommended Operating Conditions ($T_A = 25^\circ\text{C}$)

| Symbol | Parameter | Min | Max | Unit | |
|----------|-------------------------------|--------------------------|-----------|------|------------------|
| V_{CC} | Supply voltage | 4.5 | 16 | V | |
| V_I | Input voltage | CONT, RESET, THRES, TRIG | V_{CC} | V | |
| I_O | Output current | | ± 200 | mA | |
| T_A | Operating Ambient Temperature | NE555 | 0 | 70 | $^\circ\text{C}$ |
| | | SA555 | -40 | 85 | |
| | | NA555 | -40 | 105 | |

- Notes:
- Stresses beyond those listed under "absolute maximum ratings" may cause permanent damage to the device. These are stress ratings only. Functional operation of the device at these or any other conditions beyond those indicated under "recommended operating conditions" is not implied. Exposure to absolute-maximum-rated conditions for extended periods may affect device reliability.
 - All voltage values are with respect ground.
 - Maximum power dissipation is a function of $T_J(\text{max})$, θ_{JA} , and T_A . The maximum allowable power dissipation at any allowable ambient temperature is $P_D = (T_J(\text{max}) - T_A)/\theta_{JA}$. Operating at the absolute maximum T_J of 150°C can affect reliability.
 - Maximum power dissipation is a function of $T_J(\text{max})$, θ_{JC} , and T_A . The maximum allowable power dissipation at any allowable ambient temperature is $P_D = (T_J(\text{max}) - T_C)/\theta_{JC}$. Operating at the absolute maximum T_J of 150°C can affect reliability.

Electrical Characteristics ($V_{CC} = 5\text{V}$ to 15V , $T_A = 25^\circ\text{C}$ unless otherwise stated)

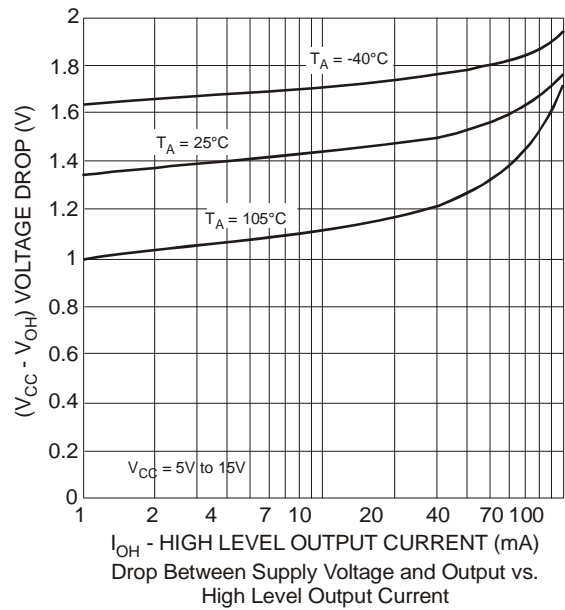
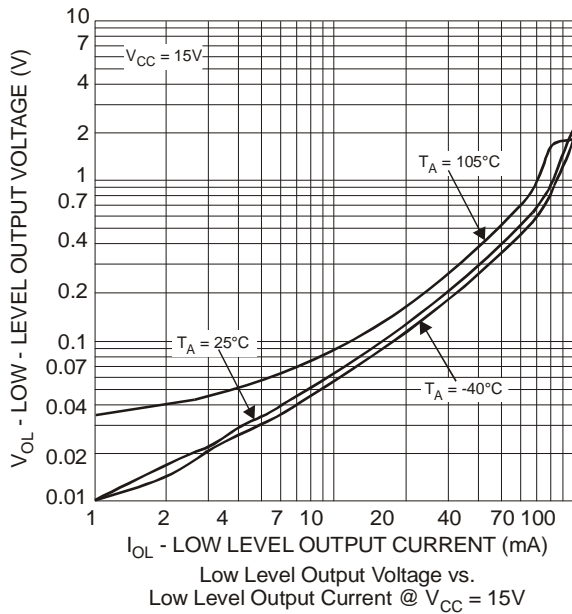
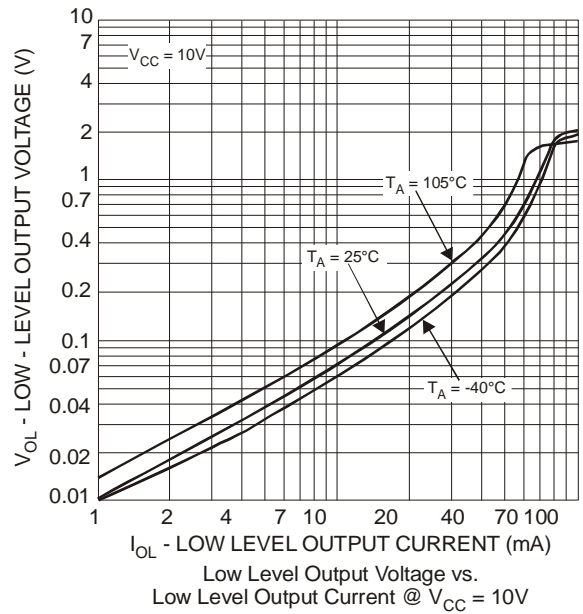
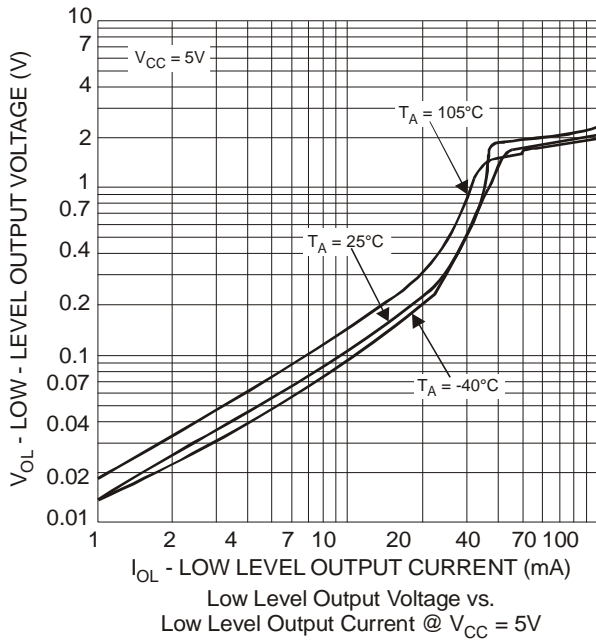
| Symbol | Parameter | Test conditions | Min | Typ. | Max | Unit |
|-----------|---|---|-----|------|------|---------------|
| V_{TH} | Threshold voltage level | $V_{CC} = 15\text{V}$ | 8.8 | 10 | 11.2 | V |
| | | $V_{CC} = 5\text{V}$ | 2.4 | 3.3 | 4.2 | |
| I_{TH} | Threshold current (Note 6) | | | 30 | 250 | nA |
| V_{TR} | Trigger voltage level | $V_{CC} = 15\text{V}$ | 4.5 | 5 | 5.6 | V |
| | | $V_{CC} = 5\text{V}$ | 1.1 | 1.67 | 2.2 | |
| I_{TR} | Trigger current | TRIG at 0V | | 0.5 | 2 | μA |
| V_{RST} | RESET voltage level | | 0.3 | 0.7 | 1 | V |
| I_{RST} | RESET current | RESET at V_{CC} | | 0.1 | 0.4 | mA |
| | | RESET at 0V | | -0.4 | -1.5 | |
| I_{DIS} | DISCH switch off-state current | | | 20 | 100 | nA |
| V_{DIS} | DISCH saturation voltage with output low (Note 7) | $V_{CC} = 15\text{V}$, $I_{DIS} = 15\text{mA}$ | | 180 | 480 | mV |
| | | $V_{CC} = 5\text{V}$, $I_{DIS} = 4.5\text{mA}$ | | 80 | 200 | |
| V_{CON} | CONT voltage (open circuit) | $V_{CC} = 15\text{V}$ | 9 | 10 | 11 | V |
| | | $V_{CC} = 5\text{V}$ | 2.6 | 3.3 | 4 | |

Electrical Characteristics ($V_{CC} = 5V$ to $15V$, $T_A = 25^\circ C$ unless otherwise stated)

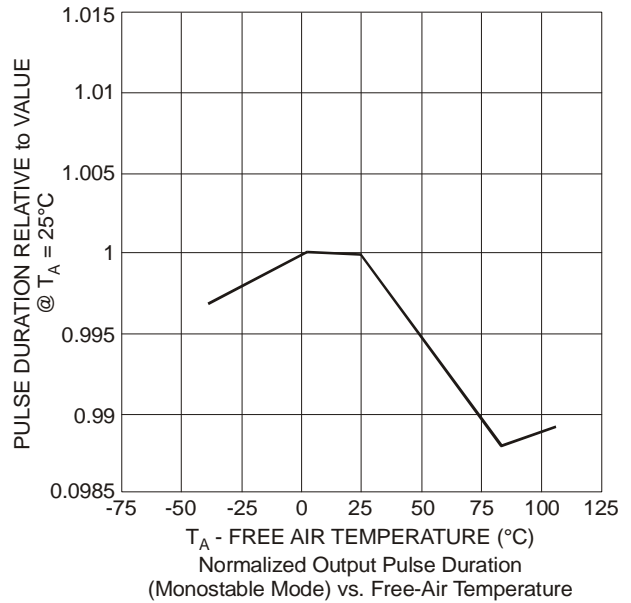
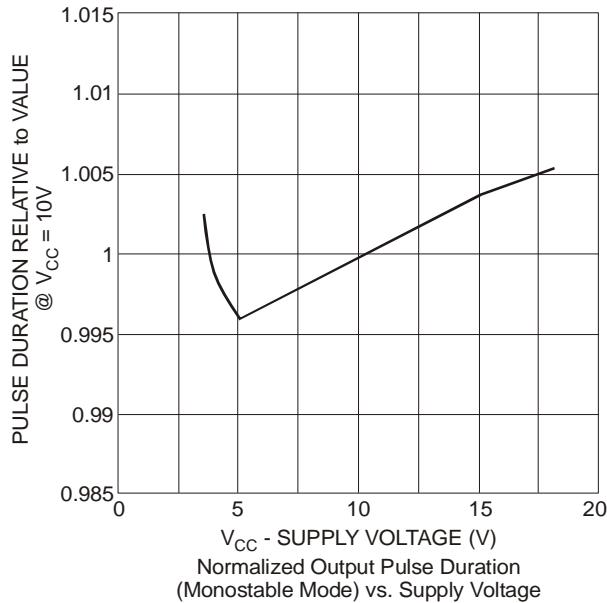
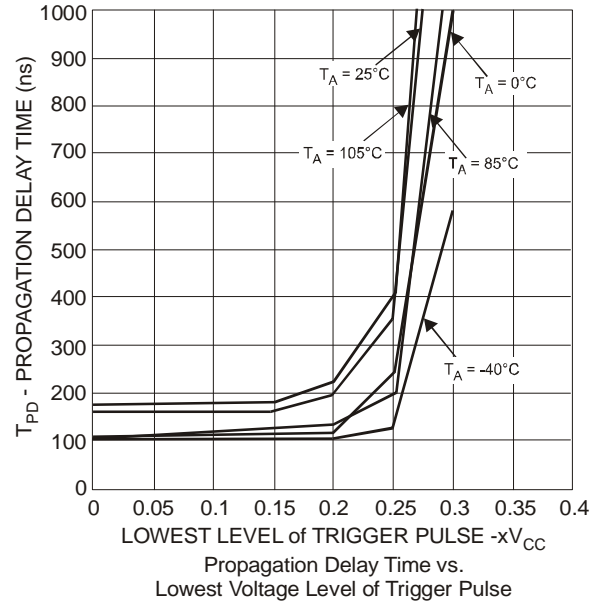
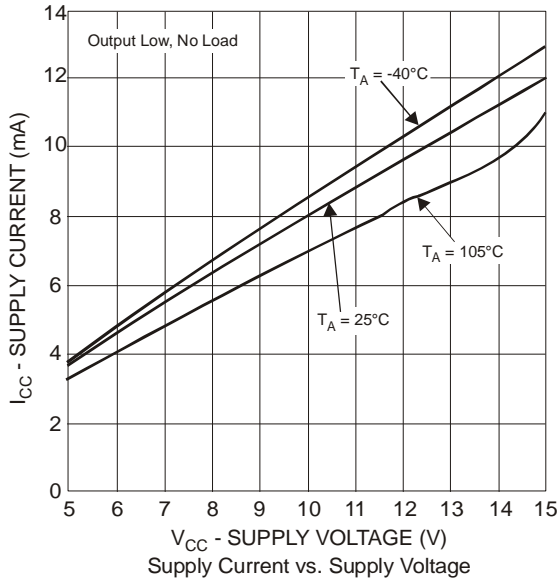
| Symbol | Parameter | Test conditions | Min | Typ. | Max | Unit | |
|-----------|---|---------------------------------|--------------------|------|------|-----------------|----|
| V_{OL} | Low level output voltage | $V_{CC} = 15V, I_{OL} = 10mA$ | | 0.1 | 0.25 | V | |
| | | $V_{CC} = 15V, I_{OL} = 50mA$ | | 0.4 | 0.75 | | |
| | | $V_{CC} = 15V, I_{OL} = 100mA$ | | 2 | 2.5 | | |
| | | $V_{CC} = 15V, I_{OL} = 200mA$ | | 2.5 | | | |
| | | $V_{CC} = 5V, I_{OL} = 5mA$ | | 0.1 | 0.35 | | |
| | | $V_{CC} = 5V, I_{OL} = 8mA$ | | 0.15 | 0.4 | | |
| V_{OH} | High level output voltage | $V_{CC} = 15V, I_{OH} = -100mA$ | 12.75 | 13.3 | | V | |
| | | $V_{CC} = 15V, I_{OH} = -200mA$ | | 12.5 | | | |
| | | $V_{CC} = 5V, I_{OH} = -100mA$ | 2.75 | 3.3 | | | |
| I_{CC} | Supply current | Output low, no load | $V_{CC} = 15V$ | | 10 | 15 | mA |
| | | | $V_{CC} = 5V$ | | 3 | 6 | |
| | | Output high, no load | $V_{CC} = 15V$ | | 9 | 13 | |
| | | | $V_{CC} = 5V$ | | 2 | 5 | |
| T_{ER} | Initial error of timing interval (Note 8) | Each time, monostable (Note 9) | | 1 | 3 | % | |
| | | Each time, astable (Note 10) | | 2.25 | | | |
| T_{TC} | Temperature coefficient of timing interval | Each time, monostable (Note 9) | $T_A =$ full range | | 50 | ppm/ $^\circ C$ | |
| | | Each time, astable (Note 10) | | | 150 | | |
| T_{VCC} | Supply voltage sensitivity of timing interval | Each time, monostable (Note 9) | | 0.1 | 0.5 | %/V | |
| | | Each time, astable (Note 10) | | 0.3 | | | |
| T_{RI} | Output pulse rise time | $C_L = 15pF$ | | 100 | 300 | ns | |
| T_{FA} | Output pulse fall time | $C_L = 15pF$ | | 100 | 300 | ns | |

- Notes:
- This parameter influences the maximum value of the timing resistors R_A and R_B in the circuit of Figure 12. For example, when $V_{CC} = 5V$, the maximum value is $R = R_A + R_B \approx 3.4M\Omega$, and for $V_{CC} = 15V$, the maximum value is $10M\Omega$.
 - No protection against excessive pin 7 current is necessary providing package dissipation rating is not exceeded
 - Timing interval error is defined as the difference between the measured value and the average value of a random sample from each process run.
 - Values specified are for a device in a monostable circuit similar to Figure 9, with the following component values: $R_A = 2k\Omega$ to $100k\Omega$, $C = 0.1\mu F$.
 - Values specified are for a device in an astable circuit similar to Figure 12, with the following component values: $R_A = 1k\Omega$ to $100k\Omega$, $C = 0.1\mu F$.

Typical Performance Characteristics



Typical Performance Characteristics (cont.)



Typical Applications Characteristics

Monostable Operation

For monostable operation, any of the '555 timers can be connected as shown in Figure 1. If the output is low, application of a negative-going pulse to the trigger (TRIG) sets the internal flip-flop and drives the output high. Capacitor C is then charged through R_A until the voltage across the capacitor reaches the threshold voltage of the threshold (THRES) input. If TRIG has returned to a high level, the output of the threshold comparator resets the internal flip-flop, drives the output low, and discharges C.

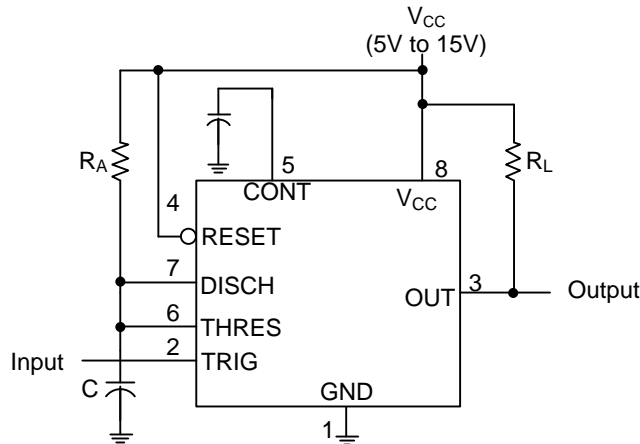


Fig 1. Monostable operation

Monostable operation is initiated when TRIG voltage falls below the trigger threshold. Once initiated, the sequence ends only if TRIG is high for at least $10\mu s$ before the end of the timing interval. When the trigger is grounded, the comparator storage time can be as long as $10\mu s$, which limits the minimum monostable pulse width to $10\mu s$. Because of the threshold level and saturation voltage of Q1, the output pulse duration is approximately $t_W = 1.1R_A C$. Figure 3 is a plot of the time constant for various values of R_A and C. The threshold levels and charge rates both are directly proportional to the supply voltage, V_{CC} . The timing interval is, therefore, independent of the supply voltage, so long as the supply voltage is constant during the time interval.

Applying a negative-going trigger pulse simultaneously to RESET and TRIG during the timing interval discharges C and reinitiates the cycle, commencing on the positive edge of the reset pulse. The output is held low as long as the reset pulse is low. To prevent false triggering, when RESET is not used, it should be connected to V_{CC} .

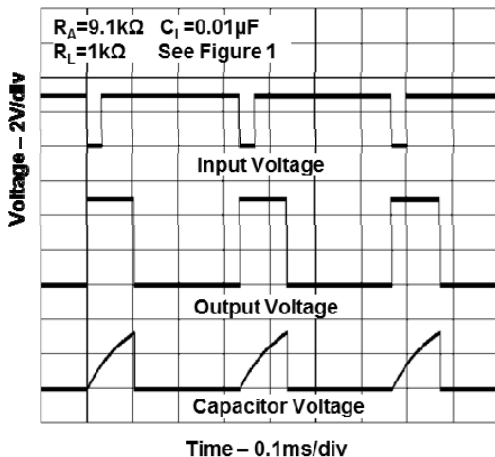


Fig. 2 Typical Monostable Waveforms

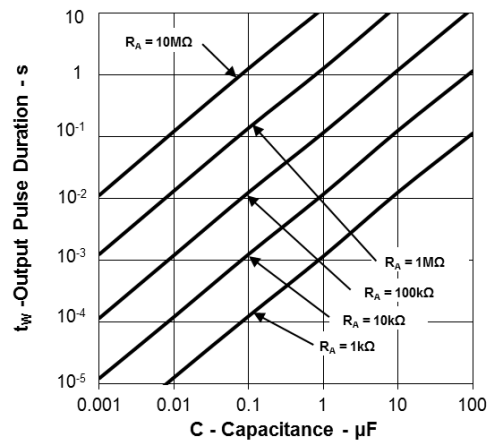


Fig. 3 Output Pulse Duration vs. Capacitance

Typical Applications Characteristics (cont.)

Astable Operation

As shown in Figure 4, adding a second resistor, R_B , to the circuit of Figure 1 and connecting the trigger input to the threshold input causes the timer to self-trigger and run as a multivibrator. The capacitor C charges through R_A and R_B and then discharges through R_B . Therefore, the duty cycle is controlled by the values of R_A and R_B .

This astable connection results in capacitor C charging and discharging between the threshold-voltage level ($\approx 0.67V_{CC}$) and the trigger-voltage level ($\approx 0.33V_{CC}$). As in the monostable circuit, charge and discharge times (and, therefore, the frequency and duty cycle) are independent of the supply voltage.

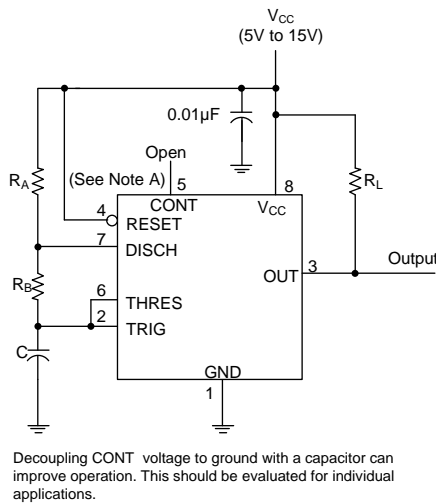


Fig. 4 Circuit for Astable Operation

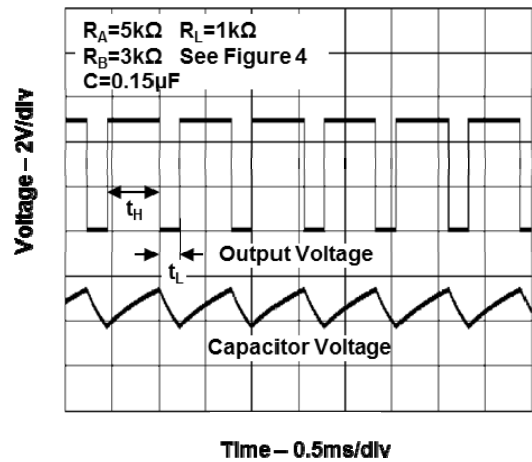


Fig. 5 Typical Astable Waveforms

Figure 5 shows typical waveforms generated during astable operation. The output high-level duration t_H and low-level duration t_L can be calculated as follows:

$$t_H = 0.693(R_A + R_B)C$$

$$t_L = 0.693(R_B)C$$

Other useful equations are:

$$\text{period} = t_H + t_L = 0.693(R_A + 2R_B)C$$

$$\text{frequency} = 1.44 / (R_A + 2R_B)C$$

$$\text{output driver duty cycle} = t_L / (t_H + t_L) = R_B / (R_A + 2R_B)$$

$$\text{output waveform duty cycle} = t_H / (t_H + t_L) = 1 - R_B / (R_A + 2R_B)$$

$$\text{low to high ratio} = t_L / t_H = R_B / (R_A + R_B)$$

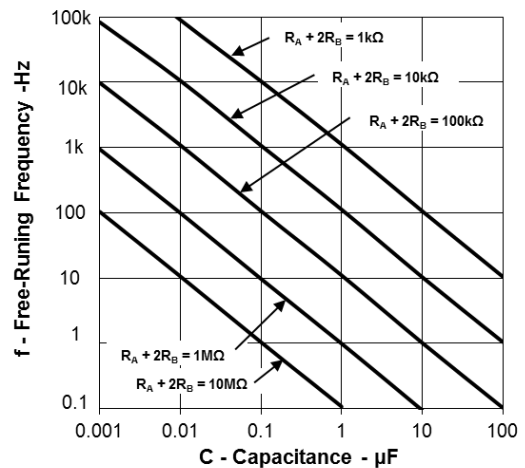


Fig. 6 Free Running Frequency

Typical Applications Characteristics (cont.)

Missing Pulse Detector

The circuit shown in Figure 7 can be used to detect a missing pulse or abnormally long spacing between consecutive pulses in a train of pulses. The timing interval of the monostable circuit is retriggered continuously by the input pulse train as long as the pulse spacing is less than the timing interval. A longer pulse spacing, missing pulse, or terminated pulse train permits the timing interval to be completed, thereby generating an output pulse as shown in Figure 8.

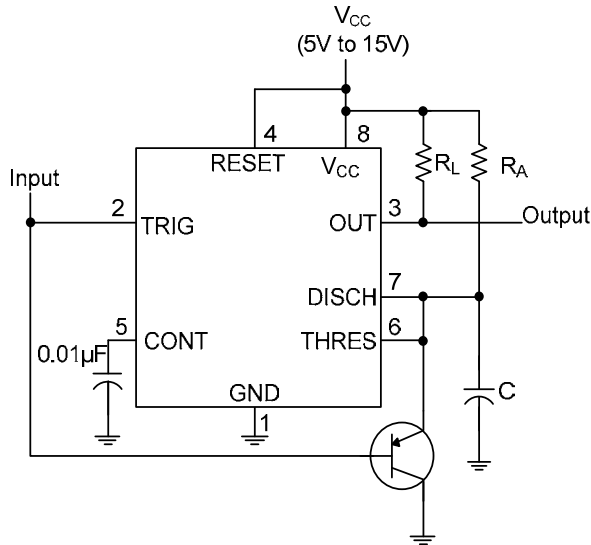


Fig. 7 Circuit for Missing Pulse Detector

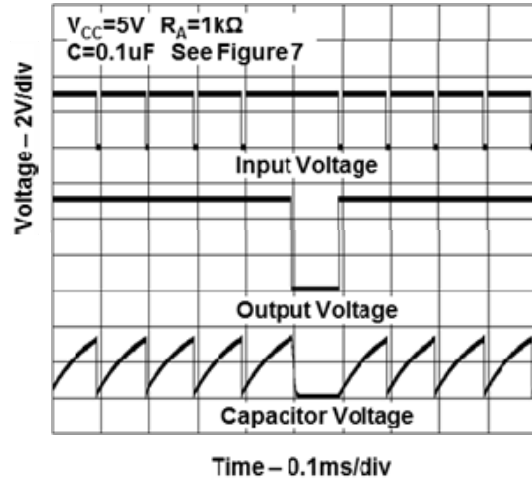


Fig. 8 Timing Waveforms for Missing Pulse Detector

Frequency Divider

By adjusting the length of the timing cycle, the basic circuit of Figure 1 can be made to operate as a frequency divider. Figure 9 shows a divide-by-three circuit that makes use of the fact that retriggering cannot occur during the timing cycle.

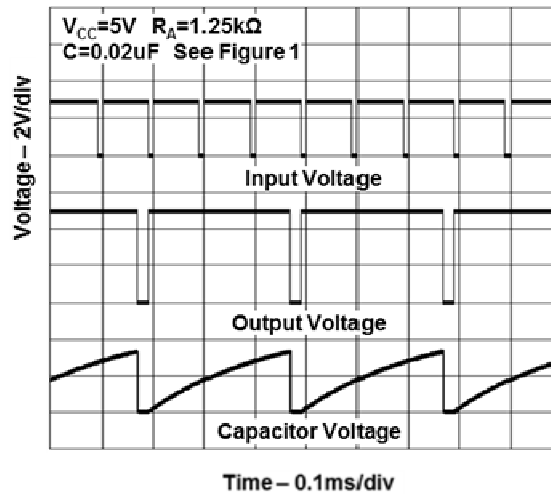
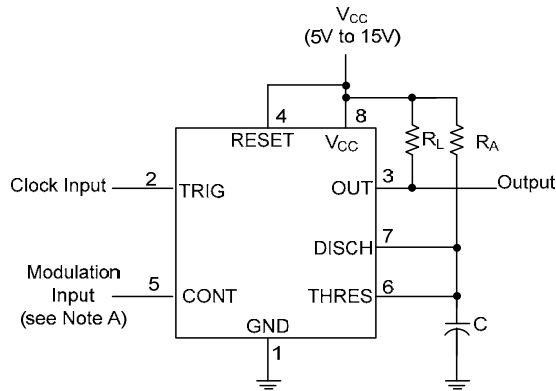


Fig. 9 Divide by Three Circuit Waveforms

Typical Applications Characteristics (cont.)

Pulse Width Modulation

The operation of the timer can be modified by modulating the internal threshold and trigger voltages, which is accomplished by applying an external voltage (or current) to CONT. Figure 10 shows a circuit for pulse-width modulation. A continuous input pulse train triggers the monostable circuit, and a control signal modulates the threshold voltage. Figure 11 shows the resulting output pulse-width modulation. While a sine-wave modulation signal is shown, any wave shape could be used.



The modulating signal can be directly or capacitively coupled to CONT. For direct coupling, the effects of modulation source voltage and impedance on the bias of the timer should be considered.

Fig 10. Circuit for Pulse width modulation

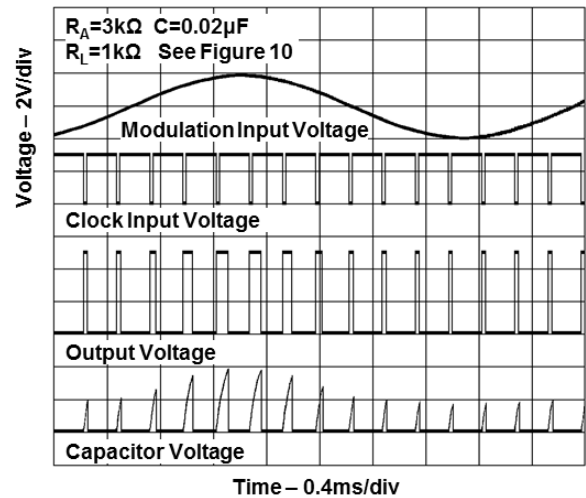
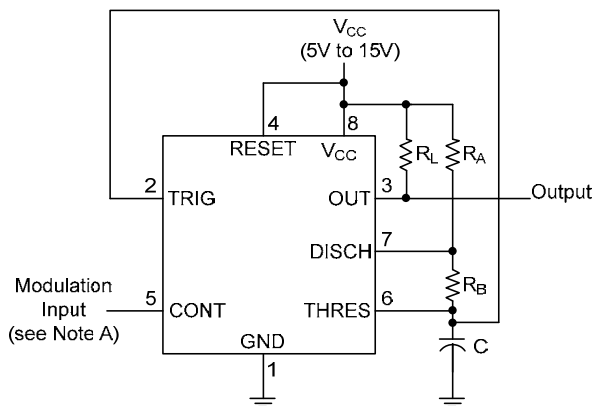


Fig 11. Pulse width modulation timing diagrams

Pulse Position Modulation

As shown in Figure 12, any of these timers can be used as a pulse-position modulator. This application modulates the threshold voltage and, thereby, the time delay, of a free-running oscillator. Figure 13 shows a triangular-wave modulation signal for such a circuit; however, any wave shape could be used.



The modulating signal can be directly or capacitively coupled to CONT. For direct coupling, the effects of modulation source voltage and impedance on the bias of the timer should be considered.

Fig 12. Circuit for pulse position modulation

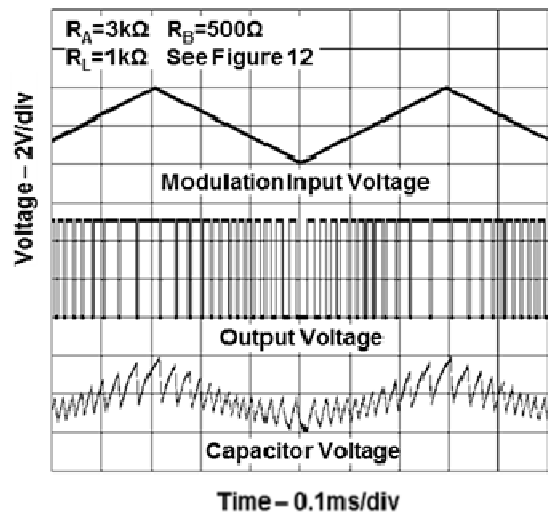
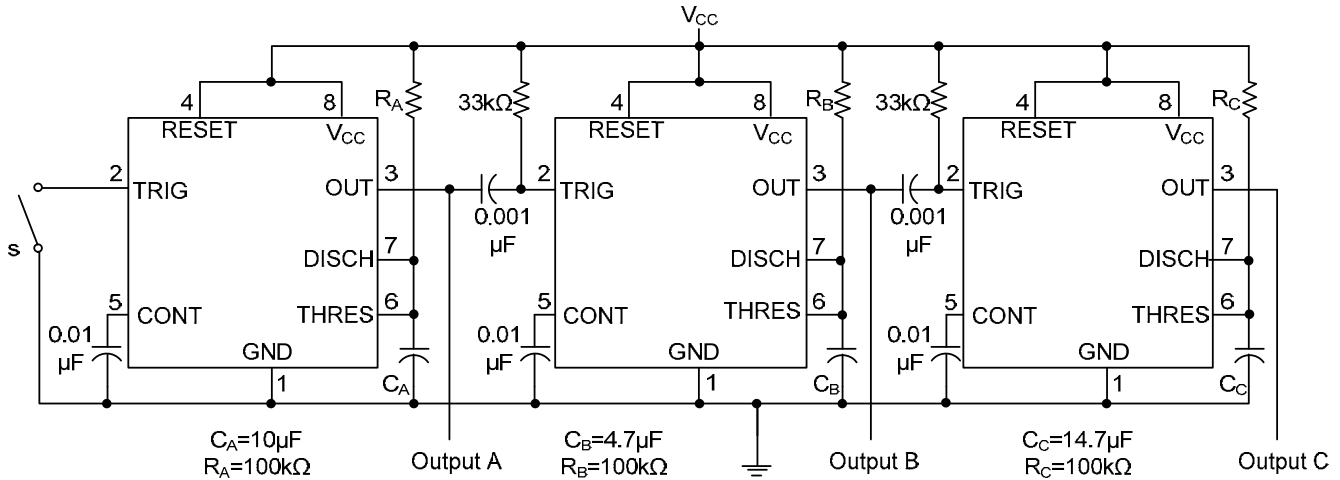


Fig 13. Pulse position modulation timing diagrams

Typical Applications Characteristics (cont.)

Sequential Timer

Many applications, such as computers, require signals for initializing conditions during start-up. Other applications, such as test equipment, require activation of test signals in sequence. These timing circuits can be connected to provide such sequential control. The timers can be used in various combinations of astable or monostable circuit connections, with or without modulation, for extremely flexible waveform control. Figure 14 shows a sequencer circuit with possible applications in many systems, and Figure 15 shows the output waveforms.



Note A: S closes momentarily at $t=0$.

Fig 14. Circuit for Sequential Timer

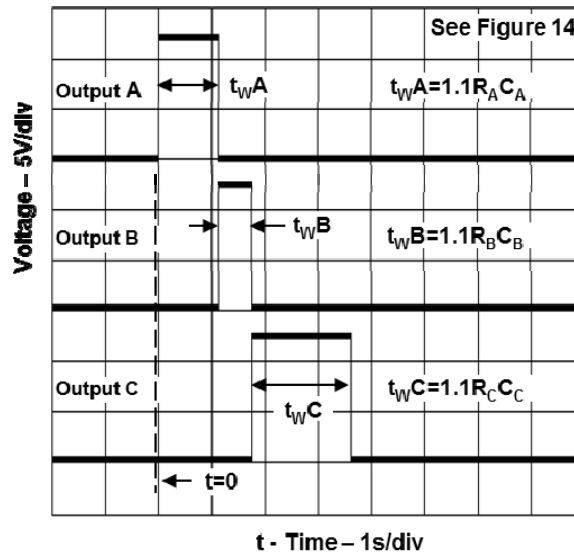
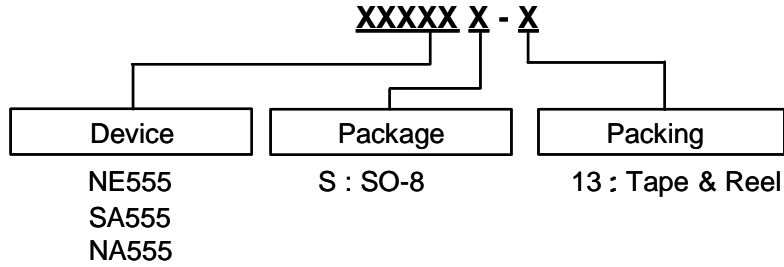


Fig 15. Sequential timer waveforms

Ordering Information

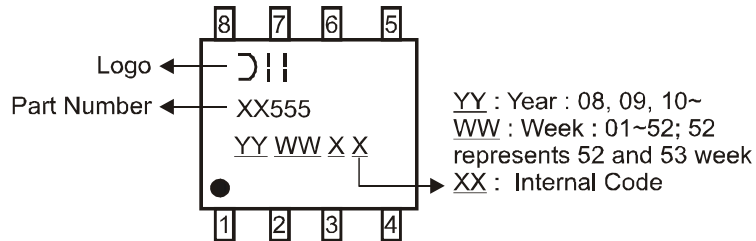


| Device | Operating Temperature | Package Code | Packaging (Note 10) | 13" Tape and Reel | |
|-----------|-----------------------|--------------|---------------------|-------------------|--------------------|
| | | | | Quantity | Part Number Suffix |
| NE555S-13 | 0 to 70°C | S | SO-8 | 2500/Tape & Reel | -13 |
| SA555S-13 | -40 to 85°C | S | SO-8 | 2500/Tape & Reel | -13 |
| NA555S-13 | -40 to 105°C | S | SO-8 | 2500/Tape & Reel | -13 |

Notes: 10. Pad layout as shown on Diodes Inc. suggested pad layout document AP02001, which can be found on our website at <http://www.diodes.com/datasheets/ap02001.pdf>.

Marking Information

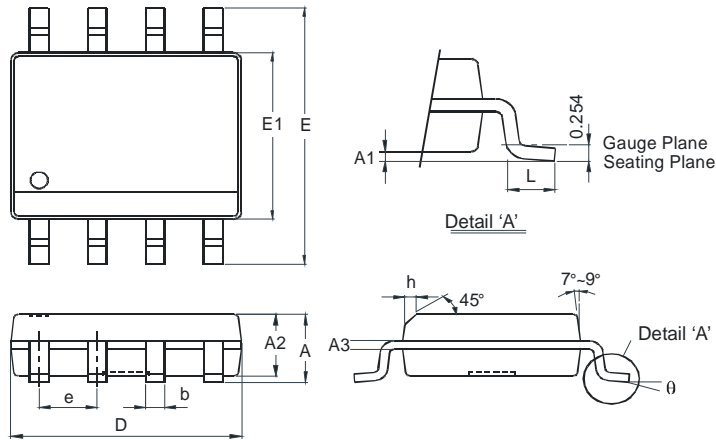
SO-8



NEW PRODUCT

Package Outline Dimensions (All Dimensions in mm)

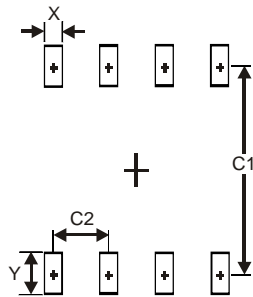
SO-8



| SO-8 | | |
|----------------------|----------|------|
| Dim | Min | Max |
| A | - | 1.75 |
| A1 | 0.10 | 0.20 |
| A2 | 1.30 | 1.50 |
| A3 | 0.15 | 0.25 |
| b | 0.3 | 0.5 |
| D | 4.85 | 4.95 |
| E | 5.90 | 6.10 |
| E1 | 3.85 | 3.95 |
| e | 1.27 Typ | |
| h | - | 0.35 |
| L | 0.62 | 0.82 |
| θ | 0° | 8° |
| All Dimensions in mm | | |

Suggested Pad Layout

SO-8



| Dimensions | Value (in mm) |
|------------|---------------|
| X | 0.60 |
| Y | 1.55 |
| C1 | 5.4 |
| C2 | 1.27 |

IMPORTANT NOTICE

DIODES INCORPORATED MAKES NO WARRANTY OF ANY KIND, EXPRESS OR IMPLIED, WITH REGARDS TO THIS DOCUMENT, INCLUDING, BUT NOT LIMITED TO, THE IMPLIED WARRANTIES OF MERCHANTABILITY AND FITNESS FOR A PARTICULAR PURPOSE (AND THEIR EQUIVALENTS UNDER THE LAWS OF ANY JURISDICTION).

Diodes Incorporated and its subsidiaries reserve the right to make modifications, enhancements, improvements, corrections or other changes without further notice to this document and any product described herein. Diodes Incorporated does not assume any liability arising out of the application or use of this document or any product described herein; neither does Diodes Incorporated convey any license under its patent or trademark rights, nor the rights of others. Any Customer or user of this document or products described herein in such applications shall assume all risks of such use and will agree to hold Diodes Incorporated and all the companies whose products are represented on Diodes Incorporated website, harmless against all damages.

Diodes Incorporated does not warrant or accept any liability whatsoever in respect of any products purchased through unauthorized sales channel.

Should Customers purchase or use Diodes Incorporated products for any unintended or unauthorized application, Customers shall indemnify and hold Diodes Incorporated and its representatives harmless against all claims, damages, expenses, and attorney fees arising out of, directly or indirectly, any claim of personal injury or death associated with such unintended or unauthorized application.

Products described herein may be covered by one or more United States, international or foreign patents pending. Product names and markings noted herein may also be covered by one or more United States, international or foreign trademarks.

LIFE SUPPORT

Diodes Incorporated products are specifically not authorized for use as critical components in life support devices or systems without the express written approval of the Chief Executive Officer of Diodes Incorporated. As used herein:

A. Life support devices or systems are devices or systems which:

1. are intended to implant into the body, or
2. support or sustain life and whose failure to perform when properly used in accordance with instructions for use provided in the labeling can be reasonably expected to result in significant injury to the user.

B. A critical component is any component in a life support device or system whose failure to perform can be reasonably expected to cause the failure of the life support device or to affect its safety or effectiveness.

Customers represent that they have all necessary expertise in the safety and regulatory ramifications of their life support devices or systems, and acknowledge and agree that they are solely responsible for all legal, regulatory and safety-related requirements concerning their products and any use of Diodes Incorporated products in such safety-critical, life support devices or systems, notwithstanding any devices- or systems-related information or support that may be provided by Diodes Incorporated. Further, Customers must fully indemnify Diodes Incorporated and its representatives against any damages arising out of the use of Diodes Incorporated products in such safety-critical, life support devices or systems.

Copyright © 2012, Diodes Incorporated

www.diodes.com

Компания «Океан Электроники» предлагает заключение долгосрочных отношений при поставках импортных электронных компонентов на взаимовыгодных условиях!

Наши преимущества:

- Поставка оригинальных импортных электронных компонентов напрямую с производств Америки, Европы и Азии, а так же с крупнейших складов мира;
- Широкая линейка поставок активных и пассивных импортных электронных компонентов (более 30 млн. наименований);
- Поставка сложных, дефицитных, либо снятых с производства позиций;
- Оперативные сроки поставки под заказ (от 5 рабочих дней);
- Экспресс доставка в любую точку России;
- Помощь Конструкторского Отдела и консультации квалифицированных инженеров;
- Техническая поддержка проекта, помощь в подборе аналогов, поставка прототипов;
- Поставка электронных компонентов под контролем ВП;
- Система менеджмента качества сертифицирована по Международному стандарту ISO 9001;
- При необходимости вся продукция военного и аэрокосмического назначения проходит испытания и сертификацию в лаборатории (по согласованию с заказчиком);
- Поставка специализированных компонентов военного и аэрокосмического уровня качества (Xilinx, Altera, Analog Devices, Intersil, Interpoint, Microsemi, Actel, Aeroflex, Peregrine, VPT, Syfer, Eurofarad, Texas Instruments, MS Kennedy, Miteq, Cobham, E2V, MA-COM, Hittite, Mini-Circuits, General Dynamics и др.);

Компания «Океан Электроники» является официальным дистрибьютором и эксклюзивным представителем в России одного из крупнейших производителей разъемов военного и аэрокосмического назначения «**JONHON**», а так же официальным дистрибьютором и эксклюзивным представителем в России производителя высокотехнологичных и надежных решений для передачи СВЧ сигналов «**FORSTAR**».



JONHON

«**JONHON**» (основан в 1970 г.)

Разъемы специального, военного и аэрокосмического назначения:

(Применяются в военной, авиационной, аэрокосмической, морской, железнодорожной, горно- и нефтедобывающей отраслях промышленности)

«**FORSTAR**» (основан в 1998 г.)

ВЧ соединители, коаксиальные кабели,
кабельные сборки и микроволновые компоненты:

(Применяются в телекоммуникациях гражданского и специального назначения, в средствах связи, РЛС, а так же военной, авиационной и аэрокосмической отраслях промышленности).



Телефон: 8 (812) 309-75-97 (многоканальный)

Факс: 8 (812) 320-03-32

Электронная почта: ocean@oceanchips.ru

Web: <http://oceanchips.ru/>

Адрес: 198099, г. Санкт-Петербург, ул. Калинина, д. 2, корп. 4, лит. А