

## LOW-POWER TRIPLE-CHANNEL DIGITAL ISOLATOR

### Features

- High-speed operation
  - DC to 150 Mbps
- No start-up initialization required
- Wide Operating Supply Voltage: 2.70–5.5 V
- Wide Operating Supply Voltage: 2.70–5.5 V
- Ultra low power (typical)
  - 5 V Operation:
    - < 1.6 mA per channel at 1 Mbps
    - < 6 mA per channel at 100 Mbps
  - 2.70 V Operation:
    - < 1.4 mA per channel at 1 Mbps
    - < 4 mA per channel at 100 Mbps
- High electromagnetic immunity
- Up to 2500 V<sub>RMS</sub> isolation
- 60-year life at rated working voltage
- Precise timing (typical)
  - <10 ns worst case
  - 1.5 ns pulse width distortion
  - 0.5 ns channel-channel skew
  - 2 ns propagation delay skew
  - 6 ns minimum pulse width
- Transient Immunity 25 kV/μs
- AEC-Q100 qualified
- Wide temperature range
  - –40 to 125 °C at 150 Mbps
- RoHS-compliant packages
  - SOIC-16 wide body
  - SOIC-16 narrow body

### Applications

- Industrial automation systems
- Hybrid electric vehicles
- Isolated switch mode supplies
- Isolated ADC, DAC
- Motor control
- Power inverters
- Communications systems

### Safety Regulatory Approvals

- UL 1577 recognized
  - Up to 2500 V<sub>RMS</sub> for 1 minute
- CSA component notice 5A approval
  - IEC 60950-1, 61010-1 (reinforced insulation)
- VDE certification conformity
  - IEC 60747-5-2 (VDE0884 Part 2)

### Description

Silicon Lab's family of ultra-low-power digital isolators are CMOS devices offering substantial data rate, propagation delay, power, size, reliability, and external BOM advantages when compared to legacy isolation technologies. The operating parameters of these products remain stable across wide temperature ranges throughout their service life, and only VDD bypass capacitors are required.

Data rates up to 150 Mbps are supported, and all devices achieve worst-case propagation delays of less than 10 ns. All products are safety certified by UL, CSA, and VDE and support withstand voltages of up to 2.5 kV<sub>RMS</sub>. These devices are available in 16-pin wide- and narrow-body SOIC packages.



---

**TABLE OF CONTENTS**


---

| <b><u>Section</u></b>   | <b><u>Page</u></b> |
|---|--------------------|
| <b>1. Electrical Specifications</b> .....                             | <b>3</b>           |
| <b>2. Functional Description</b> .....                                | <b>17</b>          |
| 2.1. Theory of Operation .....  | 17                 |
| 2.2. Eye Diagram .....  | 18                 |
| 2.3. Device Operation .....   | 19                 |
| 2.4. Layout Recommendations .....                                     | 21                 |
| 2.5. Typical Performance Characteristics .....                        | 22                 |
| <b>3. Errata and Design Migration Guidelines</b> .....                | <b>24</b>          |
| 3.1. Enable Pin Causes Outputs to Go Low (Revision C Only) .....      | 24                 |
| 3.2. Power Supply Bypass Capacitors (Revision C and Revision D) ..... | 24                 |
| 3.3. Latch Up Immunity (Revision C Only) .....                        | 24                 |
| <b>4. Pin Descriptions</b> .....                                      | <b>25</b>          |
| <b>5. Ordering Guide</b> .....  | <b>26</b>          |
| <b>6. Package Outline: 16-Pin Wide Body SOIC</b> .....                | <b>28</b>          |
| <b>7. Land Pattern: 16-Pin Wide-Body SOIC</b> .....                   | <b>29</b>          |
| <b>8. Package Outline: 16-Pin Narrow Body SOIC</b> .....              | <b>30</b>          |
| <b>9. Land Pattern: 16-Pin Narrow Body SOIC</b> .....                 | <b>32</b>          |
| <b>10. Top Marking: 16-Pin Wide Body SOIC</b> .....                   | <b>33</b>          |
| 10.1. 16-Pin Wide Body SOIC Top Marking .....                         | 33                 |
| 10.2. Top Marking Explanation .....                                   | 33                 |
| <b>11. Top Marking: 16-Pin Narrow Body SOIC</b> .....                 | <b>34</b>          |
| 11.1. 16-Pin Narrow Body SOIC Top Marking .....                       | 34                 |
| 11.2. Top Marking Explanation .....                                   | 34                 |
| <b>Document Change List</b> .....                                     | <b>35</b>          |

## 1. Electrical Specifications

**Table 1. Recommended Operating Conditions**

| Parameter                      | Symbol    | Test Condition       | Min  | Typ | Max  | Unit |
|--------------------------------|-----------|----------------------|------|-----|------|------|
| Ambient Operating Temperature* | $T_A$     | 150 Mbps, 15 pF, 5 V | -40  | 25  | 125* | °C   |
| Supply Voltage                 | $V_{DD1}$ |                      | 2.70 | —   | 5.5  | V    |
|                                | $V_{DD2}$ |                      | 2.70 | —   | 5.5  | V    |

**\*Note:** The maximum ambient temperature is dependent on data frequency, output loading, number of operating channels, and supply voltage.

**Table 2. Absolute Maximum Ratings<sup>1</sup>**

| Parameter                                | Symbol             | Min  | Typ | Max            | Unit      |
|--|--------------------|------|-----|----------------|-----------|
| Storage Temperature <sup>2</sup>         | $T_{STG}$          | -65  | —   | 150            | °C        |
| Operating Temperature                    | $T_A$              | -40  | —   | 125            | °C        |
| Supply Voltage (Revision C) <sup>3</sup> | $V_{DD1}, V_{DD2}$ | -0.5 | —   | 5.75           | V         |
| Supply Voltage (Revision D) <sup>3</sup> | $V_{DD1}, V_{DD2}$ | -0.5 | —   | 6.0            | V         |
| Input Voltage                            | $V_I$              | -0.5 | —   | $V_{DD} + 0.5$ | V         |
| Output Voltage                           | $V_O$              | -0.5 | —   | $V_{DD} + 0.5$ | V         |
| Output Current Drive Channel             | $I_O$              | —    | —   | 10             | mA        |
| Lead Solder Temperature (10 s)           |                    | —    | —   | 260            | °C        |
| Maximum Isolation Voltage (1 s)          |                    | —    | —   | 3600           | $V_{RMS}$ |

**Notes:**

1. Permanent device damage may occur if the absolute maximum ratings are exceeded. Functional operation should be restricted to conditions as specified in the operational sections of this data sheet.
2. VDE certifies storage temperature from -40 to 150 °C.
3. See "5. Ordering Guide" on page 26 for more information.

# Si8430/31/35

**Table 3. Electrical Characteristics**

( $V_{DD1} = 5\text{ V} \pm 10\%$ ,  $V_{DD2} = 5\text{ V} \pm 10\%$ ,  $T_A = -40$  to  $125\text{ }^\circ\text{C}$ ; applies to narrow and wide-body SOIC packages)

| Parameter  | Symbol    | Test Condition          | Min                      | Typ | Max      | Unit          |
|--|-----------|-------------------------|--------------------------|-----|----------|---------------|
| High Level Input Voltage   | $V_{IH}$  |                         | 2.0                      | —   | —        | V             |
| Low Level Input Voltage  | $V_{IL}$  |                         | —                        | —   | 0.8      | V             |
| High Level Output Voltage  | $V_{OH}$  | $I_{OH} = -4\text{ mA}$ | $V_{DD1}, V_{DD2} - 0.4$ | 4.8 | —        | V             |
| Low Level Output Voltage   | $V_{OL}$  | $I_{OL} = 4\text{ mA}$  | —                        | 0.2 | 0.4      | V             |
| Input Leakage Current  | $I_L$     |                         | —                        | —   | $\pm 10$ | $\mu\text{A}$ |
| Output Impedance <sup>1</sup>  | $Z_O$     |                         | —                        | 85  | —        | $\Omega$      |
| Enable Input High Current  | $I_{ENH}$ | $V_{ENx} = V_{IH}$      | —                        | 2.0 | —        | $\mu\text{A}$ |
| Enable Input Low Current   | $I_{ENL}$ | $V_{ENx} = V_{IL}$      | —                        | 2.0 | —        | $\mu\text{A}$ |
| <b>DC Supply Current (All inputs 0 V or at Supply)</b>   |           |                         |                          |     |          |               |
| <b>Si8430Ax, Bx and Si8435Bx</b>   |           |                         |                          |     |          |               |
| $V_{DD1}$  |           | All inputs 0 DC         | —                        | 1.2 | 1.8      | mA            |
| $V_{DD2}$  |           | All inputs 0 DC         | —                        | 1.9 | 2.9      |               |
| $V_{DD1}$  |           | All inputs 1 DC         | —                        | 4.2 | 6.3      |               |
| $V_{DD2}$  |           | All inputs 1 DC         | —                        | 1.9 | 2.9      |               |
| <b>Si8431Ax, Bx</b>  |           |                         |                          |     |          |               |
| $V_{DD1}$  |           | All inputs 0 DC         | —                        | 1.7 | 2.6      | mA            |
| $V_{DD2}$  |           | All inputs 0 DC         | —                        | 2.0 | 3.0      |               |
| $V_{DD1}$  |           | All inputs 1 DC         | —                        | 3.7 | 5.6      |               |
| $V_{DD2}$  |           | All inputs 1 DC         | —                        | 3.0 | 4.5      |               |
| <b>1 Mbps Supply Current (All inputs = 500 kHz square wave, <math>C_I = 15\text{ pF}</math> on all outputs)</b>  |           |                         |                          |     |          |               |
| <b>Si8430Ax, Bx and Si8435Bx</b>   |           |                         |                          |     |          |               |
| $V_{DD1}$  |           |                         | —                        | 2.7 | 4.1      | mA            |
| $V_{DD2}$  |           |                         | —                        | 2.2 | 3.3      |               |
| <b>Si8431Ax, Bx</b>  |           |                         |                          |     |          |               |
| $V_{DD1}$  |           |                         | —                        | 2.8 | 4.2      | mA            |
| $V_{DD2}$  |           |                         | —                        | 2.7 | 4.1      |               |
| <b>10 Mbps Supply Current (All inputs = 5 MHz square wave, <math>C_I = 15\text{ pF}</math> on all outputs)</b>   |           |                         |                          |     |          |               |
| <b>Si8430Bx, Si8435Bx</b>  |           |                         |                          |     |          |               |
| $V_{DD1}$  |           |                         | —                        | 2.7 | 4.1      | mA            |
| $V_{DD2}$  |           |                         | —                        | 3.0 | 4.2      |               |
| <b>Si8431Bx</b>  |           |                         |                          |     |          |               |
| $V_{DD1}$  |           |                         | —                        | 3.1 | 4.3      | mA            |
| $V_{DD2}$  |           |                         | —                        | 3.2 | 4.5      |               |
| <b>Notes:</b>  |           |                         |                          |     |          |               |
| 1. The nominal output impedance of an isolator driver channel is approximately $85\ \Omega$ , $\pm 40\%$ , which is a combination of the value of the on-chip series termination resistor and channel resistance of the output driver FET. When driving loads where transmission line effects will be a factor, output pins should be appropriately terminated with controlled impedance PCB traces. |           |                         |                          |     |          |               |
| 2. $t_{PSK(P-P)}$ is the magnitude of the difference in propagation delay times measured between different units operating at the same supply voltages, load, and ambient temperature.   |           |                         |                          |     |          |               |
| 3. See "3. Errata and Design Migration Guidelines" on page 24 for more details.  |           |                         |                          |     |          |               |
| 4. Start-up time is the time period from the application of power to valid data at the output.   |           |                         |                          |     |          |               |

**Table 3. Electrical Characteristics (Continued)**(V<sub>DD1</sub> = 5 V ±10%, V<sub>DD2</sub> = 5 V ±10%, T<sub>A</sub> = -40 to 125 °C; applies to narrow and wide-body SOIC packages)

| Parameter   | Symbol                              | Test Condition | Min | Typ  | Max  | Unit |
|---|-------------------------------------|----------------|-----|------|------|------|
| <b>100 Mbps Supply Current</b> (All inputs = 50 MHz square wave, CI = 15 pF on all outputs)   |                                     |                |     |      |      |      |
| <b>Si8430Bx, Si8435Bx</b>   |                                     |                |     |      |      |      |
| V <sub>DD1</sub>  |                                     |                | —   | 2.9  | 4.4  | mA   |
| V <sub>DD2</sub>  |                                     |                | —   | 14.3 | 17.9 |      |
| <b>Si8431Bx</b>   |                                     |                |     |      |      |      |
| V <sub>DD1</sub>  |                                     |                | —   | 7.0  | 8.8  | mA   |
| V <sub>DD2</sub>  |                                     |                | —   | 11.0 | 13.8 |      |
| <b>Timing Characteristics</b>   |                                     |                |     |      |      |      |
| <b>Si843xAx</b>   |                                     |                |     |      |      |      |
| Maximum Data Rate   |                                     |                | 0   | —    | 1.0  | Mbps |
| Minimum Pulse Width   |                                     |                | —   | —    | 250  | ns   |
| Propagation Delay   | t <sub>PHL</sub> , t <sub>PLH</sub> | See Figure 2   | —   | —    | 35   | ns   |
| Pulse Width Distortion<br> t <sub>PLH</sub> - t <sub>PHL</sub>  | PWD                                 | See Figure 2   | —   | —    | 25   | ns   |
| Propagation Delay Skew <sup>2</sup>   | t <sub>PSK(P-P)</sub>               |                | —   | —    | 40   | ns   |
| Channel-Channel Skew  | t <sub>PSK</sub>                    |                | —   | —    | 35   | ns   |
| <b>Si843xBx</b>   |                                     |                |     |      |      |      |
| Maximum Data Rate   |                                     |                | 0   | —    | 150  | Mbps |
| Minimum Pulse Width   |                                     |                | —   | —    | 6.0  | ns   |
| Propagation Delay   | t <sub>PHL</sub> , t <sub>PLH</sub> | See Figure 2   | 3.0 | 6.0  | 9.5  | ns   |
| Pulse Width Distortion<br> t <sub>PLH</sub> - t <sub>PHL</sub>  | PWD                                 | See Figure 2   | —   | 1.5  | 2.5  | ns   |
| Propagation Delay Skew <sup>2</sup>   | t <sub>PSK(P-P)</sub>               |                | —   | 2.0  | 3.0  | ns   |
| Channel-Channel Skew  | t <sub>PSK</sub>                    |                | —   | 0.5  | 1.8  | ns   |
| <b>Notes:</b>   |                                     |                |     |      |      |      |
| <ol style="list-style-type: none"> <li>1. The nominal output impedance of an isolator driver channel is approximately 85 Ω, ±40%, which is a combination of the value of the on-chip series termination resistor and channel resistance of the output driver FET. When driving loads where transmission line effects will be a factor, output pins should be appropriately terminated with controlled impedance PCB traces.</li> <li>2. t<sub>PSK(P-P)</sub> is the magnitude of the difference in propagation delay times measured between different units operating at the same supply voltages, load, and ambient temperature.</li> <li>3. See "3. Errata and Design Migration Guidelines" on page 24 for more details.</li> <li>4. Start-up time is the time period from the application of power to valid data at the output.</li> </ol> |                                     |                |     |      |      |      |

**Table 3. Electrical Characteristics (Continued)**

( $V_{DD1} = 5\text{ V} \pm 10\%$ ,  $V_{DD2} = 5\text{ V} \pm 10\%$ ,  $T_A = -40\text{ to }125\text{ }^\circ\text{C}$ ; applies to narrow and wide-body SOIC packages)

| Parameter  | Symbol    | Test Condition                       | Min | Typ | Max | Unit              |
|--|-----------|--------------------------------------|-----|-----|-----|-------------------|
| <b>All Models</b>  |           |                                      |     |     |     |                   |
| Output Rise Time   | $t_r$     | $C_L = 15\text{ pF}$<br>See Figure 2 | —   | 3.8 | 5.0 | ns                |
| Output Fall Time   | $t_f$     | $C_L = 15\text{ pF}$<br>See Figure 2 | —   | 2.8 | 3.7 | ns                |
| Common Mode Transient Immunity   | CMTI      | $V_I = V_{DD}$ or 0 V                | —   | 25  | —   | kV/ $\mu\text{s}$ |
| Enable to Data Valid <sup>3</sup>  | $t_{en1}$ | See Figure 1                         | —   | 5.0 | 8.0 | ns                |
| Enable to Data Tri-State <sup>3</sup>  | $t_{en2}$ | See Figure 1                         | —   | 7.0 | 9.2 | ns                |
| Start-up Time <sup>3,4</sup>   | $t_{SU}$  |                                      | —   | 15  | 40  | $\mu\text{s}$     |
| <b>Notes:</b>  |           |                                      |     |     |     |                   |
| <ol style="list-style-type: none"> <li>1. The nominal output impedance of an isolator driver channel is approximately <math>85\ \Omega</math>, <math>\pm 40\%</math>, which is a combination of the value of the on-chip series termination resistor and channel resistance of the output driver FET. When driving loads where transmission line effects will be a factor, output pins should be appropriately terminated with controlled impedance PCB traces.</li> <li>2. <math>t_{PSK(P-P)}</math> is the magnitude of the difference in propagation delay times measured between different units operating at the same supply voltages, load, and ambient temperature.</li> <li>3. See "3. Errata and Design Migration Guidelines" on page 24 for more details.</li> <li>4. Start-up time is the time period from the application of power to valid data at the output.</li> </ol> |           |                                      |     |     |     |                   |



Figure 1. ENABLE Timing Diagram



Figure 2. Propagation Delay Timing

# Si8430/31/35

**Table 4. Electrical Characteristics**

( $V_{DD1} = 3.3\text{ V} \pm 10\%$ ,  $V_{DD2} = 3.3\text{ V} \pm 10\%$ ,  $T_A = -40$  to  $125\text{ }^\circ\text{C}$ ; applies to narrow and wide-body SOIC packages)

| Parameter  | Symbol    | Test Condition          | Min                      | Typ | Max      | Unit          |
|--|-----------|-------------------------|--------------------------|-----|----------|---------------|
| High Level Input Voltage   | $V_{IH}$  |                         | 2.0                      | —   | —        | V             |
| Low Level Input Voltage  | $V_{IL}$  |                         | —                        | —   | 0.8      | V             |
| High Level Output Voltage  | $V_{OH}$  | $I_{oh} = -4\text{ mA}$ | $V_{DD1}, V_{DD2} - 0.4$ | 3.1 | —        | V             |
| Low Level Output Voltage   | $V_{OL}$  | $I_{ol} = 4\text{ mA}$  | —                        | 0.2 | 0.4      | V             |
| Input Leakage Current  | $I_L$     |                         | —                        | —   | $\pm 10$ | $\mu\text{A}$ |
| Output Impedance <sup>1</sup>  | $Z_O$     |                         | —                        | 85  | —        | $\Omega$      |
| Enable Input High Current  | $I_{ENH}$ | $V_{ENx} = V_{IH}$      | —                        | 2.0 | —        | $\mu\text{A}$ |
| Enable Input Low Current   | $I_{ENL}$ | $V_{ENx} = V_{IL}$      | —                        | 2.0 | —        | $\mu\text{A}$ |
| <b>DC Supply Current (All inputs 0 V or at supply)</b>   |           |                         |                          |     |          |               |
| <b>Si8430Ax, Bx and Si8435Bx</b>   |           |                         |                          |     |          |               |
| $V_{DD1}$  |           | All inputs 0 DC         | —                        | 1.2 | 1.8      | mA            |
| $V_{DD2}$  |           | All inputs 0 DC         | —                        | 1.9 | 2.9      |               |
| $V_{DD1}$  |           | All inputs 1 DC         | —                        | 4.2 | 6.3      |               |
| $V_{DD2}$  |           | All inputs 1 DC         | —                        | 1.9 | 2.9      |               |
| <b>Si8431Ax, Bx</b>  |           |                         |                          |     |          |               |
| $V_{DD1}$  |           | All inputs 0 DC         | —                        | 1.7 | 2.6      | mA            |
| $V_{DD2}$  |           | All inputs 0 DC         | —                        | 2.0 | 3.0      |               |
| $V_{DD1}$  |           | All inputs 1 DC         | —                        | 3.7 | 5.6      |               |
| $V_{DD2}$  |           | All inputs 1 DC         | —                        | 3.0 | 4.5      |               |
| <b>1 Mbps Supply Current (All inputs = 500 kHz square wave, <math>C_I = 15\text{ pF}</math> on all outputs)</b>  |           |                         |                          |     |          |               |
| <b>Si8430Ax, Bx and Si8435Bx</b>   |           |                         |                          |     |          |               |
| $V_{DD1}$  |           |                         | —                        | 2.7 | 4.1      | mA            |
| $V_{DD2}$  |           |                         | —                        | 2.2 | 3.3      |               |
| <b>Si8431Ax, Bx</b>  |           |                         |                          |     |          |               |
| $V_{DD1}$  |           |                         | —                        | 2.8 | 4.2      | mA            |
| $V_{DD2}$  |           |                         | —                        | 2.7 | 4.1      |               |
| <b>Notes:</b>  |           |                         |                          |     |          |               |
| <ol style="list-style-type: none"> <li>The nominal output impedance of an isolator driver channel is approximately <math>85\ \Omega</math>, <math>\pm 40\%</math>, which is a combination of the value of the on-chip series termination resistor and channel resistance of the output driver FET. When driving loads where transmission line effects will be a factor, output pins should be appropriately terminated with controlled impedance PCB traces.</li> <li><math>t_{PSK(P-P)}</math> is the magnitude of the difference in propagation delay times measured between different units operating at the same supply voltages, load, and ambient temperature.</li> <li>See "3. Errata and Design Migration Guidelines" on page 24 for more details.</li> <li>Start-up time is the time period from the application of power to valid data at the output.</li> </ol> |           |                         |                          |     |          |               |



**Table 4. Electrical Characteristics (Continued)**(V<sub>DD1</sub> = 3.3 V ±10%, V<sub>DD2</sub> = 3.3 V ±10%, T<sub>A</sub> = -40 to 125 °C; applies to narrow and wide-body SOIC packages)

| Parameter  | Symbol                              | Test Condition | Min | Typ  | Max  | Unit |
|--|-------------------------------------|----------------|-----|------|------|------|
| <b>10 Mbps Supply Current</b> (All inputs = 5 MHz square wave, CI = 15 pF on all outputs)  |                                     |                |     |      |      |      |
| <b>Si8430Bx, Si8435Bx</b>  |                                     |                | —   |      |      |      |
| V <sub>DD1</sub>   |                                     |                | —   | 2.7  | 4.1  | mA   |
| V <sub>DD2</sub>   |                                     |                | —   | 3.0  | 4.2  |      |
| <b>Si8431Bx</b>  |                                     |                | —   |      |      |      |
| V <sub>DD1</sub>   |                                     |                | —   | 3.1  | 4.3  | mA   |
| V <sub>DD2</sub>   |                                     |                | —   | 3.2  | 4.5  |      |
| <b>100 Mbps Supply Current</b> (All inputs = 50 MHz square wave, CI = 15 pF on all outputs)  |                                     |                |     |      |      |      |
| <b>Si8430Bx, Si8435Bx</b>  |                                     |                | —   |      |      |      |
| V <sub>DD1</sub>   |                                     |                | —   | 2.8  | 4.2  | mA   |
| V <sub>DD2</sub>   |                                     |                | —   | 10.1 | 12.6 |      |
| <b>Si8431Bx</b>  |                                     |                | —   |      |      |      |
| V <sub>DD1</sub>   |                                     |                | —   | 5.5  | 6.9  | mA   |
| V <sub>DD2</sub>   |                                     |                | —   | 8.0  | 10.0 |      |
| <b>Timing Characteristics</b>  |                                     |                |     |      |      |      |
| <b>Si843xAx</b>  |                                     |                |     |      |      |      |
| Maximum Data Rate  |                                     |                | 0   | —    | 1.0  | Mbps |
| Minimum Pulse Width  |                                     |                | —   | —    | 250  | ns   |
| Propagation Delay  | t <sub>PHL</sub> , t <sub>PLH</sub> | See Figure 2   | —   | —    | 35   | ns   |
| Pulse Width Distortion<br> t <sub>PLH</sub> - t <sub>PHL</sub>   | PWD                                 | See Figure 2   | —   | —    | 25   | ns   |
| Propagation Delay Skew <sup>2</sup>  | t <sub>PSK(P-P)</sub>               |                | —   | —    | 40   | ns   |
| Channel-Channel Skew   | t <sub>PSK</sub>                    |                | —   | —    | 35   | ns   |
| <b>Notes:</b>  |                                     |                |     |      |      |      |
| 1. The nominal output impedance of an isolator driver channel is approximately 85 Ω, ±40%, which is a combination of the value of the on-chip series termination resistor and channel resistance of the output driver FET. When driving loads where transmission line effects will be a factor, output pins should be appropriately terminated with controlled impedance PCB traces. |                                     |                |     |      |      |      |
| 2. t <sub>PSK(P-P)</sub> is the magnitude of the difference in propagation delay times measured between different units operating at the same supply voltages, load, and ambient temperature.  |                                     |                |     |      |      |      |
| 3. See "3. Errata and Design Migration Guidelines" on page 24 for more details.  |                                     |                |     |      |      |      |
| 4. Start-up time is the time period from the application of power to valid data at the output.   |                                     |                |     |      |      |      |

# Si8430/31/35

**Table 4. Electrical Characteristics (Continued)**

( $V_{DD1} = 3.3\text{ V} \pm 10\%$ ,  $V_{DD2} = 3.3\text{ V} \pm 10\%$ ,  $T_A = -40\text{ to }125\text{ }^\circ\text{C}$ ; applies to narrow and wide-body SOIC packages)

| Parameter  | Symbol             | Test Condition                       | Min | Typ | Max | Unit              |
|--|--------------------|--------------------------------------|-----|-----|-----|-------------------|
| <b>Si843xBx</b>  |                    |                                      |     |     |     |                   |
| Maximum Data Rate  |                    |                                      | 0   | —   | 150 | Mbps              |
| Minimum Pulse Width  |                    |                                      | —   | —   | 6.0 | ns                |
| Propagation Delay  | $t_{PHL}, t_{PLH}$ | See Figure 2                         | 3.0 | 6.0 | 9.5 | ns                |
| Pulse Width Distortion<br>$ t_{PLH} - t_{PHL} $  | PWD                | See Figure 2                         | —   | 1.5 | 2.5 | ns                |
| Propagation Delay Skew <sup>2</sup>  | $t_{PSK(P-P)}$     |                                      | —   | 2.0 | 3.0 | ns                |
| Channel-Channel Skew   | $t_{PSK}$          |                                      | —   | 0.5 | 1.8 | ns                |
| <b>All Models</b>  |                    |                                      |     |     |     |                   |
| Output Rise Time   | $t_r$              | $C_L = 15\text{ pF}$<br>See Figure 2 | —   | 4.3 | 6.1 | ns                |
| Output Fall Time   | $t_f$              | $C_L = 15\text{ pF}$<br>See Figure 2 | —   | 3.0 | 4.3 | ns                |
| Common Mode Transient Immunity   | CMTI               | $V_I = V_{DD}$ or $0\text{ V}$       | —   | 25  | —   | kV/ $\mu\text{s}$ |
| Enable to Data Valid <sup>3</sup>  | $t_{en1}$          | See Figure 1                         | —   | 5.0 | 8.0 | ns                |
| Enable to Data Tri-State <sup>3</sup>  | $t_{en2}$          | See Figure 1                         | —   | 7.0 | 9.2 | ns                |
| Start-up Time <sup>3,4</sup>   | $t_{SU}$           |                                      | —   | 15  | 40  | $\mu\text{s}$     |
| <b>Notes:</b>  |                    |                                      |     |     |     |                   |
| <ol style="list-style-type: none"> <li>1. The nominal output impedance of an isolator driver channel is approximately <math>85\ \Omega</math>, <math>\pm 40\%</math>, which is a combination of the value of the on-chip series termination resistor and channel resistance of the output driver FET. When driving loads where transmission line effects will be a factor, output pins should be appropriately terminated with controlled impedance PCB traces.</li> <li>2. <math>t_{PSK(P-P)}</math> is the magnitude of the difference in propagation delay times measured between different units operating at the same supply voltages, load, and ambient temperature.</li> <li>3. See "3. Errata and Design Migration Guidelines" on page 24 for more details.</li> <li>4. Start-up time is the time period from the application of power to valid data at the output.</li> </ol> |                    |                                      |     |     |     |                   |

**Table 5. Electrical Characteristics<sup>1</sup>**(V<sub>DD1</sub> = 2.70 V, V<sub>DD2</sub> = 2.70 V, T<sub>A</sub> = -40 to 125 °C; applies to narrow and wide-body SOIC packages)

| Parameter  | Symbol           | Test Condition                     | Min                                       | Typ | Max | Unit |
|--|------------------|------------------------------------|---|-----|-----|------|
| High Level Input Voltage   | V <sub>IH</sub>  |                                    | 2.0                                       | —   | —   | V    |
| Low Level Input Voltage  | V <sub>IL</sub>  |                                    | —   | —   | 0.8 | V    |
| High Level Output Voltage  | V <sub>OH</sub>  | I <sub>oh</sub> = -4 mA            | V <sub>DD1</sub> , V <sub>DD2</sub> - 0.4 | 2.3 | —   | V    |
| Low Level Output Voltage   | V <sub>OL</sub>  | I <sub>ol</sub> = 4 mA             | —   | 0.2 | 0.4 | V    |
| Input Leakage Current  | I <sub>L</sub>   |                                    | —   | —   | ±10 | µA   |
| Output Impedance <sup>2</sup>  | Z <sub>O</sub>   |                                    | —   | 85  | —   | Ω    |
| Enable Input High Current  | I <sub>ENH</sub> | V <sub>ENx</sub> = V <sub>IH</sub> | —   | 2.0 | —   | µA   |
| Enable Input Low Current   | I <sub>ENL</sub> | V <sub>ENx</sub> = V <sub>IL</sub> | —   | 2.0 | —   | µA   |
| <b>DC Supply Current (All inputs 0 V or at supply)</b>   |                  |                                    |   |     |     |      |
| <b>Si8430Ax, Bx and Si8435Bx</b>   |                  |                                    |   |     |     |      |
| V <sub>DD1</sub>   |                  | All inputs 0 DC                    | —   | 1.2 | 1.8 | mA   |
| V <sub>DD2</sub>   |                  | All inputs 0 DC                    | —   | 1.9 | 2.9 |      |
| V <sub>DD1</sub>   |                  | All inputs 1 DC                    | —   | 4.2 | 6.3 |      |
| V <sub>DD2</sub>   |                  | All inputs 1 DC                    | —   | 1.9 | 2.9 |      |
| <b>Si8431Ax, Bx</b>  |                  |                                    |   |     |     |      |
| V <sub>DD1</sub>   |                  | All inputs 0 DC                    | —   | 1.7 | 2.6 | mA   |
| V <sub>DD2</sub>   |                  | All inputs 0 DC                    | —   | 2.0 | 3.0 |      |
| V <sub>DD1</sub>   |                  | All inputs 1 DC                    | —   | 3.7 | 5.6 |      |
| V <sub>DD2</sub>   |                  | All inputs 1 DC                    | —   | 3.0 | 4.5 |      |
| <b>1 Mbps Supply Current (All inputs = 500 kHz square wave, CI = 15 pF on all outputs)</b>   |                  |                                    |   |     |     |      |
| <b>Si8430Ax, Bx and Si8435Bx</b>   |                  |                                    |   |     |     |      |
| V <sub>DD1</sub>   |                  |                                    | —   | 2.7 | 4.1 | mA   |
| V <sub>DD2</sub>   |                  |                                    | —   | 2.2 | 3.3 |      |
| <b>Si8431Ax, Bx</b>  |                  |                                    |   |     |     |      |
| V <sub>DD1</sub>   |                  |                                    | —   | 2.8 | 4.2 | mA   |
| V <sub>DD2</sub>   |                  |                                    | —   | 2.7 | 4.1 |      |
| <b>Notes:</b>  |                  |                                    |   |     |     |      |
| 1. Specifications in this table are also valid at V <sub>DD1</sub> = 2.6 V and V <sub>DD2</sub> = 2.6 V when the operating temperature range is constrained to T <sub>A</sub> = 0 to 85 °C.  |                  |                                    |   |     |     |      |
| 2. The nominal output impedance of an isolator driver channel is approximately 85 Ω, ±40%, which is a combination of the value of the on-chip series termination resistor and channel resistance of the output driver FET. When driving loads where transmission line effects will be a factor, output pins should be appropriately terminated with controlled impedance PCB traces. |                  |                                    |   |     |     |      |
| 3. t <sub>PSK(P-P)</sub> is the magnitude of the difference in propagation delay times measured between different units operating at the same supply voltages, load, and ambient temperature.  |                  |                                    |   |     |     |      |
| 4. See "3. Errata and Design Migration Guidelines" on page 24 for more details.  |                  |                                    |   |     |     |      |
| 5. Start-up time is the time period from the application of power to valid data at the output.   |                  |                                    |   |     |     |      |

# Si8430/31/35

**Table 5. Electrical Characteristics<sup>1</sup> (Continued)**

( $V_{DD1} = 2.70\text{ V}$ ,  $V_{DD2} = 2.70\text{ V}$ ,  $T_A = -40\text{ to }125\text{ °C}$ ; applies to narrow and wide-body SOIC packages)

| Parameter  | Symbol                | Test Condition | Min | Typ | Max | Unit |
|--|-----------------------|----------------|-----|-----|-----|------|
| <b>10 Mbps Supply Current</b> (All inputs = 5 MHz square wave, CI = 15 pF on all outputs)  |                       |                |     |     |     |      |
| <b>Si8430Bx, Si8435Bx</b>  |                       |                | —   | 2.7 | 4.1 | mA   |
| $V_{DD1}$<br>$V_{DD2}$   |                       |                | —   | 3.0 | 4.2 |      |
| <b>Si8431Bx</b>  |                       |                | —   | 3.1 | 4.3 | mA   |
| $V_{DD1}$<br>$V_{DD2}$   |                       |                | —   | 3.2 | 4.5 |      |
| <b>100 Mbps Supply Current</b> (All inputs = 50 MHz square wave, CI = 15 pF on all outputs)  |                       |                |     |     |     |      |
| <b>Si8430Bx, Si8435Bx</b>  |                       |                | —   | 2.8 | 4.2 | mA   |
| $V_{DD1}$<br>$V_{DD2}$   |                       |                | —   | 8.0 | 10  |      |
| <b>Si8431Bx</b>  |                       |                | —   | 4.7 | 5.9 | mA   |
| $V_{DD1}$<br>$V_{DD2}$   |                       |                | —   | 6.7 | 8.4 |      |
| <b>Timing Characteristics</b>  |                       |                |     |     |     |      |
| <b>Si843xAx</b>  |                       |                |     |     |     |      |
| Maximum Data Rate  |                       |                | 0   | —   | 1.0 | Mbps |
| Minimum Pulse Width  |                       |                | —   | —   | 250 | ns   |
| Propagation Delay  | $t_{PHL}$ , $t_{PLH}$ | See Figure 2   | —   | —   | 35  | ns   |
| Pulse Width Distortion<br>$ t_{PLH} - t_{PHL} $  | PWD                   | See Figure 2   | —   | —   | 25  | ns   |
| Propagation Delay Skew <sup>3</sup>  | $t_{PSK(P-P)}$        |                | —   | —   | 40  | ns   |
| Channel-Channel Skew   | $t_{PSK}$             |                | —   | —   | 35  | ns   |
| <b>Notes:</b>  |                       |                |     |     |     |      |
| 1. Specifications in this table are also valid at $V_{DD1} = 2.6\text{ V}$ and $V_{DD2} = 2.6\text{ V}$ when the operating temperature range is constrained to $T_A = 0\text{ to }85\text{ °C}$ .  |                       |                |     |     |     |      |
| 2. The nominal output impedance of an isolator driver channel is approximately $85\ \Omega$ , $\pm 40\%$ , which is a combination of the value of the on-chip series termination resistor and channel resistance of the output driver FET. When driving loads where transmission line effects will be a factor, output pins should be appropriately terminated with controlled impedance PCB traces. |                       |                |     |     |     |      |
| 3. $t_{PSK(P-P)}$ is the magnitude of the difference in propagation delay times measured between different units operating at the same supply voltages, load, and ambient temperature.   |                       |                |     |     |     |      |
| 4. See "3. Errata and Design Migration Guidelines" on page 24 for more details.  |                       |                |     |     |     |      |
| 5. Start-up time is the time period from the application of power to valid data at the output.   |                       |                |     |     |     |      |

**Table 5. Electrical Characteristics<sup>1</sup> (Continued)**(V<sub>DD1</sub> = 2.70 V, V<sub>DD2</sub> = 2.70 V, T<sub>A</sub> = -40 to 125 °C; applies to narrow and wide-body SOIC packages)

| Parameter  | Symbol                              | Test Condition                          | Min | Typ | Max | Unit  |
|--|-------------------------------------|---|-----|-----|-----|-------|
| <b>Si843xBx</b>  |                                     |   |     |     |     |       |
| Maximum Data Rate  |                                     |   | 0   | —   | 150 | Mbps  |
| Minimum Pulse Width  |                                     |   | —   | —   | 6.0 | ns    |
| Propagation Delay  | t <sub>PHL</sub> , t <sub>PLH</sub> | See Figure 2                            | 3.0 | 6.0 | 9.5 | ns    |
| Pulse Width Distortion<br> t <sub>PLH</sub> - t <sub>PHL</sub>   | PWD                                 | See Figure 2                            | —   | 1.5 | 2.5 | ns    |
| Propagation Delay Skew <sup>3</sup>  | t <sub>PSK(P-P)</sub>               |   | —   | 2.0 | 3.0 | ns    |
| Channel-Channel Skew   | t <sub>PSK</sub>                    |   | —   | 0.5 | 1.8 | ns    |
| <b>All Models</b>  |                                     |   |     |     |     |       |
| Output Rise Time   | t <sub>r</sub>                      | C <sub>L</sub> = 15 pF<br>See Figure 2  | —   | 4.8 | 6.5 | ns    |
| Output Fall Time   | t <sub>f</sub>                      | C <sub>L</sub> = 15 pF<br>See Figure 2  | —   | 3.2 | 4.6 | ns    |
| Common Mode Transient Immunity   | CMTI                                | V <sub>I</sub> = V <sub>DD</sub> or 0 V | —   | 25  | —   | kV/μs |
| Enable to Data Valid <sup>4</sup>  | t <sub>en1</sub>                    | See Figure 1                            | —   | 5.0 | 8.0 | ns    |
| Enable to Data Tri-State <sup>4</sup>  | t <sub>en2</sub>                    | See Figure 1                            | —   | 7.0 | 9.2 | ns    |
| Start-up Time <sup>4,5</sup>   | t <sub>SU</sub>                     |   | —   | 15  | 40  | μs    |
| <b>Notes:</b>  |                                     |   |     |     |     |       |
| <ol style="list-style-type: none"> <li>Specifications in this table are also valid at V<sub>DD1</sub> = 2.6 V and V<sub>DD2</sub> = 2.6 V when the operating temperature range is constrained to T<sub>A</sub> = 0 to 85 °C.</li> <li>The nominal output impedance of an isolator driver channel is approximately 85 Ω, ±40%, which is a combination of the value of the on-chip series termination resistor and channel resistance of the output driver FET. When driving loads where transmission line effects will be a factor, output pins should be appropriately terminated with controlled impedance PCB traces.</li> <li>t<sub>PSK(P-P)</sub> is the magnitude of the difference in propagation delay times measured between different units operating at the same supply voltages, load, and ambient temperature.</li> <li>See "3. Errata and Design Migration Guidelines" on page 24 for more details.</li> <li>Start-up time is the time period from the application of power to valid data at the output.</li> </ol> |                                     |   |     |     |     |       |

**Table 6. Regulatory Information\***

|  |
|--|
| <b>CSA</b>   |
| The Si84xx is certified under CSA Component Acceptance Notice 5A. For more details, see File 232873.   |
| 61010-1: Up to 600 V <sub>RMS</sub> reinforced insulation working voltage; up to 600 V <sub>RMS</sub> basic insulation working voltage.  |
| 60950-1: Up to 130 V <sub>RMS</sub> reinforced insulation working voltage; up to 1000 V <sub>RMS</sub> basic insulation working voltage.   |
| <b>VDE</b>   |
| The Si84xx is certified according to IEC 60747-5-2. For more details, see File 5006301-4880-0001.  |
| 60747-5-2: Up to 560 V <sub>peak</sub> for basic insulation working voltage.   |
| <b>UL</b>  |
| The Si84xx is certified under UL1577 component recognition program. For more details, see File E257455.  |
| Rated up to 2500 V <sub>RMS</sub> isolation voltage for basic insulation.  |
| <b>*Note:</b> Regulatory Certifications apply to 2.5 kV <sub>RMS</sub> rated devices which are production tested to 3.0 kV <sub>RMS</sub> for 1 sec. For more information, see "5. Ordering Guide" on page 26. |

**Table 7. Insulation and Safety-Related Specifications**

| Parameter   | Symbol          | Test Condition | Value            |                  | Unit             |
|---|-----------------|----------------|------------------|------------------|------------------|
|   |                 |                | WB SOIC-16       | NB SOIC-16       |                  |
| Nominal Air Gap (Clearance) <sup>1</sup>  | L(IO1)          |                | 8.0              | 4.9              | mm               |
| Nominal External Tracking (Creepage) <sup>1</sup>   | L(IO2)          |                | 8.0              | 4.01             | mm               |
| Minimum Internal Gap (Internal Clearance)   |                 |                | 0.008            | 0.008            | mm               |
| Tracking Resistance (Proof Tracking Index)  | PTI             | IEC60112       | 600              | 600              | V <sub>RMS</sub> |
| Erosion Depth   | ED              |                | 0.040            | 0.019            | mm               |
| Resistance (Input-Output) <sup>2</sup>  | R <sub>IO</sub> |                | 10 <sup>12</sup> | 10 <sup>12</sup> | Ω                |
| Capacitance (Input-Output) <sup>2</sup>   | C <sub>IO</sub> | f = 1 MHz      | 2.0              | 2.0              | pF               |
| Input Capacitance <sup>3</sup>  | C <sub>I</sub>  |                | 4.0              | 4.0              | pF               |
| <b>Notes:</b>   |                 |                |                  |                  |                  |
| <ol style="list-style-type: none"> <li>The values in this table correspond to the nominal creepage and clearance values as detailed in "6. Package Outline: 16-Pin Wide Body SOIC" and "8. Package Outline: 16-Pin Narrow Body SOIC". VDE certifies the clearance and creepage limits as 4.7 mm minimum for the NB SOIC-16 package and 8.5 mm minimum for the WB SOIC-16 package. UL does not impose a clearance and creepage minimum for component level certifications. CSA certifies the clearance and creepage limits as 3.9 mm minimum for the NB SOIC-16 package and 7.6 mm minimum for the WB SOIC-16 package.</li> <li>To determine resistance and capacitance, the Si84xx is converted into a 2-terminal device. Pins 1–8 are shorted together to form the first terminal and pins 9–16 are shorted together to form the second terminal. The parameters are then measured between these two terminals.</li> <li>Measured from input pin to ground.</li> </ol> |                 |                |                  |                  |                  |

Table 8. IEC 60664-1 (VDE 0844 Part 2) Ratings

| Parameter                   | Test Condition                          | Specification |
|-----------------------------|---|---------------|
| Basic Isolation Group       | Material Group                          | I             |
| Installation Classification | Rated Mains Voltages $\leq 150 V_{RMS}$ | I-IV          |
|                             | Rated Mains Voltages $\leq 300 V_{RMS}$ | I-III         |
|                             | Rated Mains Voltages $\leq 400 V_{RMS}$ | I-II          |
|                             | Rated Mains Voltages $\leq 600 V_{RMS}$ | I-II          |

Table 9. IEC 60747-5-2 Insulation Characteristics for Si84xxxB\*

| Parameter   | Symbol     | Test Condition   | Characteristic | Unit     |
|---|------------|--|----------------|----------|
| Maximum Working Insulation Voltage                | $V_{IORM}$ |  | 560            | V peak   |
| Input to Output Test Voltage                      | $V_{PR}$   | Method b1<br>( $V_{IORM} \times 1.875 = V_{PR}$ , 100%<br>Production Test, $t_m = 1$ sec,<br>Partial Discharge $< 5$ pC) | 1050           | V peak   |
| Transient Overvoltage                             | $V_{IOTM}$ | $t = 60$ sec   | 4000           | V peak   |
| Pollution Degree (DIN VDE 0110, Table 1)          |            |  | 2              |          |
| Insulation Resistance at $T_S$ , $V_{IO} = 500$ V | $R_S$      |  | $>10^9$        | $\Omega$ |

\*Note: Maintenance of the safety data is ensured by protective circuits. The Si84xx provides a climate classification of 40/125/21.

Table 10. IEC Safety Limiting Values<sup>1</sup>

| Parameter                               | Symbol | Test Condition  | Min | Typ | Max        |            | Unit        |
|---|--------|---|-----|-----|------------|------------|-------------|
|   |        |   |     |     | WB SOIC-16 | NB SOIC-16 |             |
| Case Temperature                        | $T_S$  |   | —   | —   | 150        | 150        | $^{\circ}C$ |
| Safety input, output, or supply current | $I_S$  | $\theta_{JA} = 100$ $^{\circ}C/W$ (WB SOIC-16),<br>$105$ $^{\circ}C/W$ (NB SOIC-16),<br>$V_I = 5.5$ V, $T_J = 150$ $^{\circ}C$ , $T_A = 25$ $^{\circ}C$ | —   | —   | 220        | 210        | mA          |
| Device Power Dissipation <sup>2</sup>   | $P_D$  |   | —   | —   | 275        | 275        | mW          |

**Notes:**

1. Maximum value allowed in the event of a failure; also see the thermal derating curve in Figures 3 and 4.
2. The Si843x is tested with  $VDD1 = VDD2 = 5.5$  V,  $T_J = 150$   $^{\circ}C$ ,  $CL = 15$  pF, input a 150 Mbps 50% duty cycle square wave.

**Table 11. Thermal Characteristics**

| Parameter                             | Symbol        | Test Condition | Min | Typ        |            | Max | Unit                        |
|---------------------------------------|---------------|----------------|-----|------------|------------|-----|-----------------------------|
|                                       |               |                |     | WB SOIC-16 | NB SOIC-16 |     |                             |
| IC Junction-to-Air Thermal Resistance | $\theta_{JA}$ |                | —   | 100        | 105        | —   | $^{\circ}\text{C}/\text{W}$ |



**Figure 3. (WB SOIC-16) Thermal Derating Curve, Dependence of Safety Limiting Values with Case Temperature per DIN EN 60747-5-2**



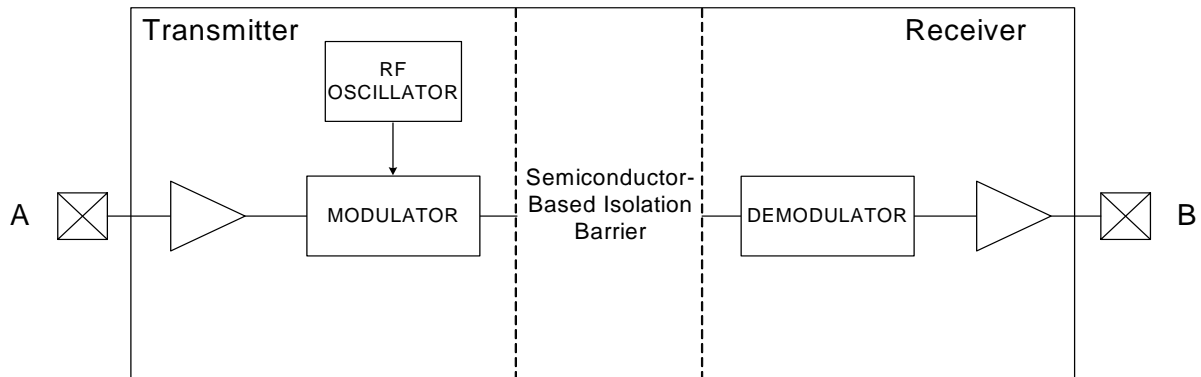
**Figure 4. (NB SOIC-16) Thermal Derating Curve, Dependence of Safety Limiting Values with Case Temperature per DIN EN 60747-5-2**



## 2. Functional Description

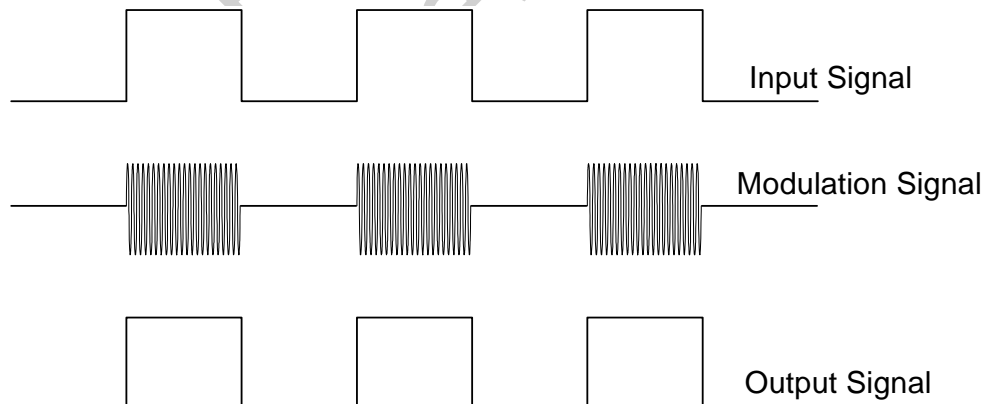
### 2.1. Theory of Operation

The operation of an Si843x channel is analogous to that of an opto coupler, except an RF carrier is modulated instead of light. This simple architecture provides a robust isolated data path and requires no special considerations or initialization at start-up. A simplified block diagram for a single Si843x channel is shown in Figure 5.



**Figure 5. Simplified Channel Diagram**

A channel consists of an RF Transmitter and RF Receiver separated by a semiconductor-based isolation barrier. Referring to the Transmitter, input A modulates the carrier provided by an RF oscillator using on/off keying. The Receiver contains a demodulator that decodes the input state according to its RF energy content and applies the result to output B via the output driver. This RF on/off keying scheme is superior to pulse code schemes as it provides best-in-class noise immunity, low power consumption, and better immunity to magnetic fields. See Figure 6 for more details.



**Figure 6. Modulation Scheme**

## 2.2. Eye Diagram

Figure 7 illustrates an eye-diagram taken on an Si8430. For the data source, the test used an Anritsu (MP1763C) Pulse Pattern Generator set to 1000 ns/div. The output of the generator's clock and data from an Si8430 were captured on an oscilloscope. The results illustrate that data integrity was maintained even at the high data rate of 150 Mbps. The results also show that 2 ns pulse width distortion and 250 ps peak jitter were exhibited.



Figure 7. Eye Diagram

## 2.3. Device Operation

Device behavior during start-up, normal operation, and shutdown is shown in Table 12. Table 13 provides an overview of the output states when the Enable pins are active.

**Table 12. Si84xx Logic Operation Table**

| $V_I$<br>Input <sup>1,2</sup> | EN<br>Input <sup>1,2,3,4</sup> | VDDI<br>State <sup>1,5,6</sup> | VDDO<br>State <sup>1,5,6</sup> | $V_O$ Output <sup>1,2</sup> | Comments  |
|-------------------------------|--------------------------------|--------------------------------|--------------------------------|-----------------------------|---|
| H                             | H or NC                        | P                              | P                              | H                           | Enabled, normal operation.  |
| L                             | H or NC                        | P                              | P                              | L                           |   |
| X <sup>7</sup>                | L                              | P                              | P                              | Hi-Z or L <sup>8</sup>      | Disabled.   |
| X <sup>7</sup>                | H or NC                        | UP                             | P                              | L                           | Upon transition of VDDI from unpowered to powered, $V_O$ returns to the same state as $V_I$ in less than 1 $\mu$ s.   |
| X <sup>7</sup>                | L                              | UP                             | P                              | Hi-Z or L <sup>8</sup>      | Disabled.   |
| X <sup>7</sup>                | X <sup>7</sup>                 | P                              | UP                             | Undetermined                | Upon transition of VDDO from unpowered to powered, $V_O$ returns to the same state as $V_I$ within 1 $\mu$ s, if EN is in either the H or NC state. Upon transition of VDDO from unpowered to powered, $V_O$ returns to Hi-Z with 1 $\mu$ s if EN is L. |

**Notes:**

- VDDI and VDDO are the input and output power supplies.  $V_I$  and  $V_O$  are the respective input and output terminals. EN is the enable control input located on the same output side.
- X = not applicable; H = Logic High; L = Logic Low; Hi-Z = High Impedance.
- It is recommended that the enable inputs be connected to an external logic high or low level when the Si84xx is operating in noisy environments.
- No Connect (NC) replaces EN1 on Si8430/35. No Connect replaces EN2 on the Si8435. No Connects are not internally connected and can be left floating, tied to VDD, or tied to GND.
- "Powered" state (P) is defined as  $2.70\text{ V} < \text{VDD} < 5.5\text{ V}$ .
- "Unpowered" state (UP) is defined as  $\text{VDD} = 0\text{ V}$ .
- Note that an I/O can power the die for a given side through an internal diode if its source has adequate current.
- When using the enable pin (EN) function, the output pin state is driven to a logic low state when the EN pin is disabled ( $\text{EN} = 0$ ) in Revision C. Revision D outputs go into a high-impedance state when the EN pin is disabled ( $\text{EN} = 0$ ). See "3. Errata and Design Migration Guidelines" on page 24 for more details.

**Table 13. Enable Input Truth Table<sup>1</sup>**

| P/N    | EN1 <sup>1,2</sup> | EN2 <sup>1,2</sup> | Operation  |
|--------|--------------------|--------------------|--|
| Si8430 | —                  | H                  | Outputs B1, B2, B3 are enabled and follow input state.                                 |
|        | —                  | L                  | Outputs B1, B2, B3 are disabled and Logic Low or in high impedance state. <sup>3</sup> |
| Si8431 | H                  | X                  | Output A3 enabled and follows input state.   |
|        | L                  | X                  | Output A3 disabled and Logic Low or in high impedance state. <sup>3</sup>              |
|        | X                  | H                  | Outputs B1, B2 are enabled and follow input state.                                     |
|        | X                  | L                  | Outputs B1, B2 are disabled and Logic Low or in high impedance state. <sup>3</sup>     |
| Si8435 | —                  | —                  | Outputs B1, B2, B3 are enabled and follow input state.                                 |

**Notes:**

1. Enable inputs EN1 and EN2 can be used for multiplexing, for clock sync, or other output control. These inputs are internally pulled-up to local VDD by a 3  $\mu$ A current source allowing them to be connected to an external logic level (high or low) or left floating. To minimize noise coupling, do not connect circuit traces to EN1 or EN2 if they are left floating. If EN1, EN2 are unused, it is recommended they be connected to an external logic level, especially if the Si84xx is operating in a noisy environment.
2. X = not applicable; H = Logic High; L = Logic Low.
3. When using the enable pin (EN) function, the output pin state is driven to a logic low state when the EN pin is disabled (EN = 0) in Revision C. Revision D outputs go into a high-impedance state when the EN pin is disabled (EN = 0). See "3. Errata and Design Migration Guidelines" on page 24 for more details.

Not Recommended for New Design

## 2.4. Layout Recommendations

To ensure safety in the end user application, high voltage circuits (i.e., circuits with  $>30 V_{AC}$ ) must be physically separated from the safety extra-low voltage circuits (SELV is a circuit with  $<30 V_{AC}$ ) by a certain distance (creepage/clearance). If a component, such as a digital isolator, straddles this isolation barrier, it must meet those creepage/clearance requirements and also provide a sufficiently large high-voltage breakdown protection rating (commonly referred to as working voltage protection). Table 6 on page 14 and Table 7 on page 14 detail the working voltage and creepage/clearance capabilities of the Si84xx. These tables also detail the component standards (UL1577, IEC60747, CSA 5A), which are readily accepted by certification bodies to provide proof for end-system specifications requirements. Refer to the end-system specification (61010-1, 60950-1, etc.) requirements before starting any design that uses a digital isolator.

The following sections detail the recommended bypass and decoupling components necessary to ensure robust overall performance and reliability for systems using the Si84xx digital isolators.

### 2.4.1. Supply Bypass

Digital integrated circuit components typically require  $0.1 \mu F$  ( $100 \text{ nF}$ ) bypass capacitors when used in electrically quiet environments. However, digital isolators are commonly used in hazardous environments with excessively noisy power supplies. To counteract these harsh conditions, it is recommended that an additional  $1 \mu F$  bypass capacitor be added between VDD and GND on both sides of the package. The capacitors should be placed as close as possible to the package to minimize stray inductance. If the system is excessively noisy, it is recommended that the designer add  $50$  to  $100 \Omega$  resistors in series with the VDD supply voltage source and  $50$  to  $300 \Omega$  resistors in series with the digital inputs/outputs (see Figure 8). For more details, see "3. Errata and Design Migration Guidelines" on page 24.

All components upstream or downstream of the isolator should be properly decoupled as well. If these components are not properly decoupled, their supply noise can couple to the isolator inputs and outputs, potentially causing damage if spikes exceed the maximum ratings of the isolator ( $6 \text{ V}$ ). In this case, the  $50$  to  $300 \Omega$  resistors protect the isolator's inputs/outputs (note that permanent device damage may occur if the absolute maximum ratings are exceeded). Functional operation should be restricted to the conditions specified in Table 1, "Recommended Operating Conditions," on page 3.

### 2.4.2. Pin Connections

No connect pins are not internally connected. They can be left floating, tied to  $V_{DD}$ , or tied to GND.

### 2.4.3. Output Pin Termination

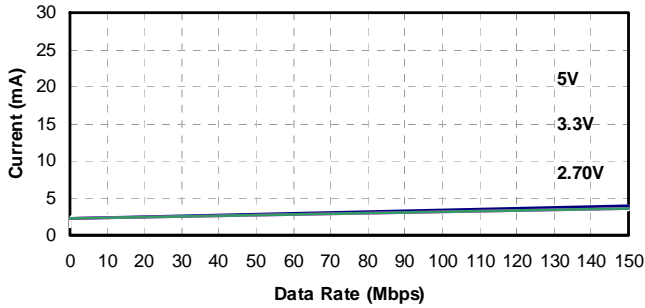
The nominal output impedance of an isolator driver channel is approximately  $85 \Omega$ ,  $\pm 40\%$ , which is a combination of the value of the on-chip series termination resistor and channel resistance of the output driver FET. When driving loads where transmission line effects will be a factor, output pins should be appropriately terminated with controlled impedance PCB traces. The series termination resistor values should be scaled appropriately while keeping in mind the recommendations described in "2.4.1. Supply Bypass" above.



Figure 8. Recommended Bypass Components for the Si84xx Digital Isolator Family

## 2.5. Typical Performance Characteristics

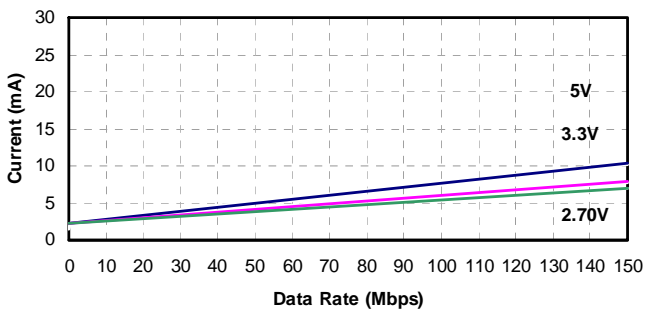
The typical performance characteristics depicted in the following diagrams are for information purposes only. Refer to Tables 3, 4, and 5 for actual specification limits.



**Figure 9. Si8430/35 Typical  $V_{DD1}$  Supply Current vs. Data Rate 5, 3.3, and 2.70 V Operation**



**Figure 12. Si8430/35 Typical  $V_{DD2}$  Supply Current vs. Data Rate 5, 3.3, and 2.70 V Operation (15 pF Load)**



**Figure 10. Si8431 Typical  $V_{DD1}$  Supply Current vs. Data Rate 5, 3.3, and 2.70 V Operation**



**Figure 13. Si8431 Typical  $V_{DD2}$  Supply Current vs. Data Rate 5, 3.3, and 2.70 V Operation (15 pF Load)**



**Figure 11. Propagation Delay vs. Temperature**



Figure 14. Si84xx Time-Dependent Dielectric Breakdown

## 3. Errata and Design Migration Guidelines

The following errata apply to Revision C devices only. See "5. Ordering Guide" on page 26 for more details. No errata exist for Revision D devices.

### 3.1. Enable Pin Causes Outputs to Go Low (Revision C Only)

When using the enable pin (EN1, EN2) function on the 3-channel (Si8430/1) isolators, the corresponding output pin states (pin = An, Bn, where n can be 1...3) are driven to a logic low (to ground) when the enable pin is disabled (EN1 or EN2 = 0). This functionality is different from the legacy 3-channel (Si8430/1) isolators. On those devices, the isolator outputs go into a high-impedance state (Hi-Z) when the enable pin is disabled (EN1 = 0 or EN2 = 0).

#### 3.1.1. Resolution

The enable pin functionality causing the outputs to go low is supported in production for Revision C of the Si84xx devices. Revision D corrects the enable pin functionality (i.e., the outputs will go into the high-impedance state to match the legacy isolator products). Refer to the Ordering Guide sections of the data sheet(s) for current ordering information.

### 3.2. Power Supply Bypass Capacitors (Revision C and Revision D)

When using the Si84xx isolators with power supplies  $\geq 4.5$  V, sufficient VDD bypass capacitors must be present on both the VDD1 and VDD2 pins to ensure the VDD rise time is less than  $0.5$  V/ $\mu$ s (which is  $> 9$   $\mu$ s for a  $\geq 4.5$  V supply). Although rise time is power supply dependent,  $\geq 1$   $\mu$ F capacitors are required on both power supply pins (VDD1, VDD2) of the isolator device.

#### 3.2.1. Resolution

For recommendations on resolving this issue, see "2.4.1. Supply Bypass" on page 21. Additionally, refer to "5. Ordering Guide" on page 26 for current ordering information.

### 3.3. Latch Up Immunity (Revision C Only)

Latch up immunity generally exceeds  $\pm 200$  mA per pin. Exceptions: Certain pins provide  $< 100$  mA of latch-up immunity. To increase latch-up immunity on these pins,  $100 \Omega$  of equivalent resistance must be included in series with *all* of the pins listed in Table 14. The  $100 \Omega$  equivalent resistance can be comprised of the source driver's output resistance and a series termination resistor. The Si8431 is not affected when using power supply voltages (VDD1 and VDD2)  $\leq 3.5$  V.

#### 3.3.1. Resolution

This issue has been corrected with Revision D of the device. Refer to "5. Ordering Guide" for current ordering information.

**Table 14. Affected Ordering Part Numbers (Revision C Only)**

| Affected Ordering Part Numbers*      | Device Revision | Pin# | Name | Pin Type        |
|--------------------------------------|-----------------|------|------|-----------------|
| Si8430SV-C-IS/IS1, Si8431SV-C-IS/IS1 | C               | 5    | A3   | Input or Output |
|                                      |                 | 10   | EN2  | Input           |
|                                      |                 | 14   | B1   | Output          |
| Si8435SV-C-IS/IS1                    | C               | 5    | A3   | Input           |
|                                      |                 | 14   | B1   | Output          |

\*Note: "SV" = Speed Grade/Isolation Rating (AA, AB, BA, BB).



## 4. Pin Descriptions



| Name                | SOIC-16 Pin# | Type           | Description <sup>1</sup>                   |
|---------------------|--------------|----------------|--|
| V <sub>DD1</sub>    | 1            | Supply         | Side 1 power supply.                       |
| GND1                | 2            | Ground         | Side 1 ground.                             |
| A1                  | 3            | Digital Input  | Side 1 digital input.                      |
| A2                  | 4            | Digital Input  | Side 1 digital input.                      |
| A3                  | 5            | Digital I/O    | Side 1 digital input or output.            |
| NC                  | 6            | NA             | No Connect.                                |
| EN1/NC <sup>2</sup> | 7            | Digital Input  | Side 1 active high enable. NC on Si8430/35 |
| GND1                | 8            | Ground         | Side 1 ground.                             |
| GND2                | 9            | Ground         | Side 2 ground.                             |
| EN2/NC <sup>2</sup> | 10           | Digital Input  | Side 2 active high enable. NC on Si8435.   |
| NC                  | 11           | NA             | No Connect.                                |
| B3                  | 12           | Digital I/O    | Side 2 digital input or output.            |
| B2                  | 13           | Digital Output | Side 2 digital output.                     |
| B1                  | 14           | Digital Output | Side 2 digital output.                     |
| GND2                | 15           | Ground         | Side 2 ground.                             |
| V <sub>DD2</sub>    | 16           | Supply         | Side 2 power supply.                       |

### Notes:

- For narrow-body devices, Pin 2 and Pin 8 GND must be externally connected to respective ground. Pin 9 and Pin 15 must also be connected to external ground.
- No Connect. These pins are not internally connected. They can be left floating, tied to VDD or tied to GND.

# Si8430/31/35

## 5. Ordering Guide

These devices are not recommended for new designs. Please see the Si863x data sheet for replacement options.

**Table 15. Ordering Guide for Valid OPNs<sup>1</sup>**

| Ordering Part Number (OPN)  | Alternative Part Number (APN) | Number of Inputs VDD1 Side | Number of Inputs VDD2 Side | Maximum Data Rate (Mbps) | Isolation Rating | Package Type              |
|---|-------------------------------|----------------------------|----------------------------|--------------------------|------------------|---------------------------|
| <b>Revision D Devices<sup>2</sup></b>   |                               |                            |                            |                          |                  |                           |
| Si8430AB-D-IS   | Si8630AB-B-IS                 | 3                          | 0                          | 1                        | 2.5 kVrms        | WB SOIC-16 <sup>1,3</sup> |
| Si8430BB-D-IS   | Si8630BB-B-IS                 | 3                          | 0                          | 150                      |                  |                           |
| Si8431AB-D-IS   | Si8631AB-B-IS                 | 2                          | 1                          | 1                        |                  |                           |
| Si8431BB-D-IS   | Si8631BB-B-IS                 | 2                          | 1                          | 150                      |                  |                           |
| Si8435BB-D-IS   | Si8635BB-B-IS                 | 3                          | 0                          | 150                      |                  |                           |
| Si8430AB-D-IS1  | Si8630AB-B-IS1                | 3                          | 0                          | 1                        | 2.5 kVrms        | NB SOIC-16 <sup>1</sup>   |
| Si8430BB-D-IS1  | Si8630BB-B-IS1                | 3                          | 0                          | 150                      |                  |                           |
| Si8431AB-D-IS1  | Si8631AB-B-IS1                | 2                          | 1                          | 1                        |                  |                           |
| Si8431BB-D-IS1  | Si8631BB-B-IS1                | 2                          | 1                          | 150                      |                  |                           |
| Si8435BB-D-IS1  | Si8635BC-B-IS1                | 3                          | 0                          | 150                      |                  |                           |
| <b>Notes:</b>   |                               |                            |                            |                          |                  |                           |
| 1. All packages are RoHS-compliant with peak reflow temperatures of 260 °C according to the JEDEC industry standard classifications and peak solder temperatures. |                               |                            |                            |                          |                  |                           |
| 2. Revision C and Revision D devices are supported for existing designs.  |                               |                            |                            |                          |                  |                           |
| 3. AEC-Q100 qualified.  |                               |                            |                            |                          |                  |                           |

Table 15. Ordering Guide for Valid OPNs<sup>1</sup> (Continued)

| Ordering Part Number (OPN)  | Alternative Part Number (APN) | Number of Inputs VDD1 Side | Number of Inputs VDD2 Side | Maximum Data Rate (Mbps) | Isolation Rating | Package Type            |
|---|-------------------------------|----------------------------|----------------------------|--------------------------|------------------|-------------------------|
| <b>Revision C Devices<sup>2</sup></b>   |                               |                            |                            |                          |                  |                         |
| Si8430AB-C-IS   | Si8630AB-B-IS                 | 3                          | 0                          | 1                        | 2.5 kVrms        | WB SOIC-16 <sup>1</sup> |
| Si8430BB-C-IS   | Si8630BB-B-IS                 | 3                          | 0                          | 150                      |                  |                         |
| Si8431AB-C-IS   | Si8631AB-B-IS                 | 2                          | 1                          | 1                        |                  |                         |
| Si8431BB-C-IS   | Si8631BB-B-IS                 | 2                          | 1                          | 150                      |                  |                         |
| Si8435BB-C-IS   | Si8635BB-B-IS                 | 3                          | 0                          | 150                      |                  |                         |
| Si8430AB-C-IS1  | Si8630AB-B-IS1                | 3                          | 0                          | 1                        | 2.5 kVrms        | NB SOIC-16 <sup>1</sup> |
| Si8430BB-C-IS1  | Si8630BB-B-IS1                | 3                          | 0                          | 150                      |                  |                         |
| Si8431AB-C-IS1  | Si8631AB-B-IS1                | 2                          | 1                          | 1                        |                  |                         |
| Si8431BB-C-IS1  | Si8631BB-B-IS1                | 2                          | 1                          | 150                      |                  |                         |
| Si8435BB-C-IS1  | Si8635BC-B-IS1                | 3                          | 0                          | 150                      |                  |                         |
| <b>Notes:</b>   |                               |                            |                            |                          |                  |                         |
| 1. All packages are RoHS-compliant with peak reflow temperatures of 260 °C according to the JEDEC industry standard classifications and peak solder temperatures. |                               |                            |                            |                          |                  |                         |
| 2. Revision C and Revision D devices are supported for existing designs.  |                               |                            |                            |                          |                  |                         |
| 3. AEC-Q100 qualified.  |                               |                            |                            |                          |                  |                         |

## 6. Package Outline: 16-Pin Wide Body SOIC

Figure 15 illustrates the package details for the Triple-Channel Digital Isolator. Table 16 lists the values for the dimensions shown in the illustration.



**Figure 15. 16-Pin Wide Body SOIC**

**Table 16. Package Diagram Dimensions**

| Symbol | Millimeters |      |
|--------|-------------|------|
|        | Min         | Max  |
| A      | —           | 2.65 |
| A1     | 0.1         | 0.3  |
| D      | 10.3 BSC    |      |
| E      | 10.3 BSC    |      |
| E1     | 7.5 BSC     |      |
| b      | 0.31        | 0.51 |
| c      | 0.20        | 0.33 |
| e      | 1.27 BSC    |      |
| h      | 0.25        | 0.75 |
| L      | 0.4         | 1.27 |
| θ      | 0°          | 7°   |

## 7. Land Pattern: 16-Pin Wide-Body SOIC

Figure 16 illustrates the recommended land pattern details for the Si843x in a 16-pin wide-body SOIC. Table 17 lists the values for the dimensions shown in the illustration.



Figure 16. 16-Pin SOIC Land Pattern

Table 17. 16-Pin Wide Body SOIC Land Pattern Dimensions

| Dimension | Feature            | (mm) |
|-----------|--------------------|------|
| C1        | Pad Column Spacing | 9.40 |
| E         | Pad Row Pitch      | 1.27 |
| X1        | Pad Width          | 0.60 |
| Y1        | Pad Length         | 1.90 |

**Notes:**

1. This Land Pattern Design is based on IPC-7351 pattern SOIC127P1032X265-16AN for Density Level B (Median Land Protrusion).
2. All feature sizes shown are at Maximum Material Condition (MMC) and a card fabrication tolerance of 0.05 mm is assumed.

## 8. Package Outline: 16-Pin Narrow Body SOIC

Figure 17 illustrates the package details for the Si84xx in a 16-pin narrow-body SOIC (SO-16). Table 18 lists the values for the dimensions shown in the illustration.



Figure 17. 16-pin Small Outline Integrated Circuit (SOIC) Package

Table 18. Package Diagram Dimensions

| Dimension | Min      | Max  |
|-----------|----------|------|
| A         | —        | 1.75 |
| A1        | 0.10     | 0.25 |
| A2        | 1.25     | —    |
| b         | 0.31     | 0.51 |
| c         | 0.17     | 0.25 |
| D         | 9.90 BSC |      |
| E         | 6.00 BSC |      |
| E1        | 3.90 BSC |      |
| e         | 1.27 BSC |      |
| L         | 0.40     | 1.27 |
| L2        | 0.25 BSC |      |

Table 18. Package Diagram Dimensions (Continued)

| Dimension  | Min  | Max  |
|--|------|------|
| h  | 0.25 | 0.50 |
| $\theta$   | 0°   | 8°   |
| aaa  | 0.10 |      |
| bbb  | 0.20 |      |
| ccc  | 0.10 |      |
| ddd  | 0.25 |      |
| <b>Notes:</b> <ol style="list-style-type: none"><li>1. All dimensions shown are in millimeters (mm) unless otherwise noted.</li><li>2. Dimensioning and Tolerancing per ANSI Y14.5M-1994.</li><li>3. This drawing conforms to the JEDEC Solid State Outline MS-012, Variation AC.</li><li>4. Recommended card reflow profile is per the JEDEC/IPC J-STD-020 specification for Small Body Components.</li></ol> |      |      |

Not Recommended  
for New Designs

## 9. Land Pattern: 16-Pin Narrow Body SOIC

Figure 18 illustrates the recommended land pattern details for the Si843x in a 16-pin narrow-body SOIC. Table 19 lists the values for the dimensions shown in the illustration.



**Figure 18. 16-Pin Narrow Body SOIC PCB Land Pattern**

**Table 19. 16-Pin Narrow Body SOIC Land Pattern Dimensions**

| Dimension  | Feature            | (mm) |
|--|--------------------|------|
| C1   | Pad Column Spacing | 5.40 |
| E  | Pad Row Pitch      | 1.27 |
| X1   | Pad Width          | 0.60 |
| Y1   | Pad Length         | 1.55 |
| <b>Notes:</b>  |                    |      |
| <ol style="list-style-type: none"> <li>1. This Land Pattern Design is based on IPC-7351 pattern SOIC127P600X165-16N for Density Level B (Median Land Protrusion).</li> <li>2. All feature sizes shown are at Maximum Material Condition (MMC) and a card fabrication tolerance of 0.05 mm is assumed.</li> </ol> |                    |      |



## 10. Top Marking: 16-Pin Wide Body SOIC

### 10.1. 16-Pin Wide Body SOIC Top Marking



### 10.2. Top Marking Explanation

|  |  |   |
|--|--|---|
| <b>Line 1 Marking:</b>                       | Base Part Number<br>Ordering Options<br><br>(See Ordering Guide for more information). | Si84 = Isolator product series<br>XY = Channel Configuration<br>X = # of data channels (3, 2, 1)<br>Y = # of reverse channels (1, 0)*<br>S = Speed Grade<br>A = 1 Mbps; B = 150 Mbps<br>V = Insulation rating<br>A = 1 kV; B = 2.5 kV |
| <b>Line 2 Marking:</b>                       | YY = Year<br>WW = Workweek   | Assigned by Assembly House  |
|  | TTTTTT = Mfg Code  | Manufacturing Code from Assembly House  |
| <b>Line 3 Marking:</b>                       | Circle = 1.5 mm Diameter<br>(Center-Justified)   | "e3" Pb-Free Symbol   |
|  | Country of Origin ISO Code<br>Abbreviation   | TW = Taiwan   |
| <b>*Note:</b> Si8435 has 0 reverse channels. |  |   |

# Si8430/31/35

## 11. Top Marking: 16-Pin Narrow Body SOIC

### 11.1. 16-Pin Narrow Body SOIC Top Marking



### 11.2. Top Marking Explanation

|  |  |   |
|--|--|---|
| <b>Line 1 Marking:</b>                       | Base Part Number<br>Ordering Options<br><br>(See Ordering Guide for more information). | Si84 = Isolator product series<br>XY = Channel Configuration<br>X = # of data channels (3, 2, 1)<br>Y = # of reverse channels (1, 0)*<br>S = Speed Grade<br>A = 1 Mbps; B = 150 Mbps<br>V = Insulation rating<br>A = 1 kV; B = 2.5 kV |
| <b>Line 2 Marking:</b>                       | Circle = 1.2 mm Diameter   | "e3" Pb-Free Symbol   |
|  | YY = Year<br>WW = Work Week  | Assigned by the Assembly House. Corresponds to the year and work week of the mold date.   |
|  | TTTTTT = Mfg code  | Manufacturing Code from Assembly Purchase Order form.   |
|  | Circle = 1.2 mm diameter   | "e3" Pb-Free Symbol.  |
| <b>*Note:</b> Si8435 has 0 reverse channels. |  |   |

## DOCUMENT CHANGE LIST

### Revision 0.32 to Revision 0.33

- Rev 0.33 is the first revision of this document that applies to the new series of ultra low power isolators featuring pinout and functional compatibility with previous isolator products.
- Updated "1. Electrical Specifications".
- Updated "5. Ordering Guide".
- Added "10. Top Marking: 16-Pin Wide Body SOIC".

### Revision 0.33 to Revision 0.34

- Updated all specs to reflect latest silicon.

### Revision 0.34 to Revision 0.35

- Updated all specs to reflect latest silicon.
- Added "3. Errata and Design Migration Guidelines" on page 24.
- Added "11. Top Marking: 16-Pin Narrow Body SOIC" on page 34.

### Revision 0.35 to Revision 1.0

- Updated document to reflect availability of Revision D silicon.
- Updated Tables 3,4, and 5.
  - Updated all supply currents and channel-channel skew.
- Updated Table 2.
  - Updated absolute maximum supply voltage.
- Updated Table 7.
  - Updated clearance and creepage dimensions.
- Updated Table 12.
  - Updated Note 7.
- Updated Table 13.
  - Updated Note 3.
- Updated "3. Errata and Design Migration Guidelines" on page 24.
- Updated "5. Ordering Guide" on page 26.

### Revision 1.0 to Revision 1.1

- Updated Tables 3, 4, and 5.
  - Updated notes in tables to reflect output impedance of 85  $\Omega$ .
  - Updated rise and fall time specifications.
  - Updated CMTI value.

### Revision 1.1 to Revision 1.2

- Updated document throughout to include MSL improvements to MSL2A.
- Updated "5. Ordering Guide" on page 26.
  - Updated Note 1 in ordering guide table to reflect improvement and compliance to MSL2A moisture sensitivity level.

### Revision 1.2 to Revision 1.3

- Updated "Features" on page 1.
- Moved Tables 1 and 2 to page 3.
- Updated Tables 6, 7, 8, and 9.
- Updated Table 12 footnotes.
- Added Figure 14, "Si84xx Time-Dependent Dielectric Breakdown," on page 23.

### Revision 1.3 to Revision 1.4

- Updated "2.4.1. Supply Bypass" on page 21.
- Added Figure 8, "Recommended Bypass Components for the Si84xx Digital Isolator Family," on page 21.
- Updated "3.2. Power Supply Bypass Capacitors (Revision C and Revision D)" on page 24.

### Revision 1.4 to Revision 1.5

- Updated "5. Ordering Guide" on page 26 to include MSL2A.

### Revision 1.5 to Revision 1.6

- Updated "5. Ordering Guide" on page 26 to include new title note and "Alternative Part Number (APN)" column.

### Revision 1.6 to Revision 1.7

- Deleted references to MSL ratings throughout document to eliminate redundancy and maintain compliance with corporate data sheet format requirements. The MSL ratings are specified in the Qualification Report for the product.



Smart.  
Connected.  
Energy-Friendly.



**Products**  
[www.silabs.com/products](http://www.silabs.com/products)



**Quality**  
[www.silabs.com/quality](http://www.silabs.com/quality)



**Support and Community**  
[community.silabs.com](http://community.silabs.com)

**Disclaimer**  
Silicon Labs intends to provide customers with the latest, accurate, and in-depth documentation of all peripherals and modules available for system and software implementers using or intending to use the Silicon Labs products. Characterization data, available modules and peripherals, memory sizes and memory addresses refer to each specific device, and "Typical" parameters provided can and do vary in different applications. Application examples described herein are for illustrative purposes only. Silicon Labs reserves the right to make changes without further notice and limitation to product information, specifications, and descriptions herein, and does not give warranties as to the accuracy or completeness of the included information. Silicon Labs shall have no liability for the consequences of use of the information supplied herein. This document does not imply or express copyright licenses granted hereunder to design or fabricate any integrated circuits. The products are not designed or authorized to be used within any Life Support System without the specific written consent of Silicon Labs. A "Life Support System" is any product or system intended to support or sustain life and/or health, which, if it fails, can be reasonably expected to result in significant personal injury or death. Silicon Labs products are not designed or authorized for military applications. Silicon Labs products shall under no circumstances be used in weapons of mass destruction including (but not limited to) nuclear, biological or chemical weapons, or missiles capable of delivering such weapons.

**Trademark Information**

Silicon Laboratories Inc.®, Silicon Laboratories®, Silicon Labs®, SiLabs® and the Silicon Labs logo®, Bluegiga®, Bluegiga Logo®, Clockbuilder®, CMEMS®, DSPLL®, EFM®, EFM32®, EFR®, Ember®, Energy Micro, Energy Micro logo and combinations thereof, "the world's most energy friendly microcontrollers", Ember®, EZLink®, EZRadio®, EZRadioPRO®, Gecko®, ISOModem®, Micrium, Precision32®, ProSLIC®, Simplicity Studio®, SiPHY®, Telegesis, the Telegesis Logo®, USBXpress®, Zentri and others are trademarks or registered trademarks of Silicon Labs. ARM, CORTEX, Cortex-M3 and THUMB are trademarks or registered trademarks of ARM Holdings. Keil is a registered trademark of ARM Limited. All other products or brand names mentioned herein are trademarks of their respective holders.



Silicon Laboratories Inc.  
400 West Cesar Chavez  
Austin, TX 78701  
USA

<http://www.silabs.com>

Компания «Океан Электроники» предлагает заключение долгосрочных отношений при поставках импортных электронных компонентов на взаимовыгодных условиях!

Наши преимущества:

- Поставка оригинальных импортных электронных компонентов напрямую с производств Америки, Европы и Азии, а так же с крупнейших складов мира;
- Широкая линейка поставок активных и пассивных импортных электронных компонентов (более 30 млн. наименований);
- Поставка сложных, дефицитных, либо снятых с производства позиций;
- Оперативные сроки поставки под заказ (от 5 рабочих дней);
- Экспресс доставка в любую точку России;
- Помощь Конструкторского Отдела и консультации квалифицированных инженеров;
- Техническая поддержка проекта, помощь в подборе аналогов, поставка прототипов;
- Поставка электронных компонентов под контролем ВП;
- Система менеджмента качества сертифицирована по Международному стандарту ISO 9001;
- При необходимости вся продукция военного и аэрокосмического назначения проходит испытания и сертификацию в лаборатории (по согласованию с заказчиком);
- Поставка специализированных компонентов военного и аэрокосмического уровня качества (Xilinx, Altera, Analog Devices, Intersil, Interpoint, Microsemi, Actel, Aeroflex, Peregrine, VPT, Syfer, Eurofarad, Texas Instruments, MS Kennedy, Miteq, Cobham, E2V, MA-COM, Hittite, Mini-Circuits, General Dynamics и др.);

Компания «Океан Электроники» является официальным дистрибьютором и эксклюзивным представителем в России одного из крупнейших производителей разъемов военного и аэрокосмического назначения «JONHON», а так же официальным дистрибьютором и эксклюзивным представителем в России производителя высокотехнологичных и надежных решений для передачи СВЧ сигналов «FORSTAR».



## JONHON

«JONHON» (основан в 1970 г.)

Разъемы специального, военного и аэрокосмического назначения:

(Применяются в военной, авиационной, аэрокосмической, морской, железнодорожной, горно- и нефтедобывающей отраслях промышленности)

«FORSTAR» (основан в 1998 г.)

ВЧ соединители, коаксиальные кабели, кабельные сборки и микроволновые компоненты:

(Применяются в телекоммуникациях гражданского и специального назначения, в средствах связи, РЛС, а так же военной, авиационной и аэрокосмической отраслях промышленности).



Телефон: 8 (812) 309-75-97 (многоканальный)

Факс: 8 (812) 320-03-32

Электронная почта: [ocean@oceanchips.ru](mailto:ocean@oceanchips.ru)

Web: <http://oceanchips.ru/>

Адрес: 198099, г. Санкт-Петербург, ул. Калинина, д. 2, корп. 4, лит. А