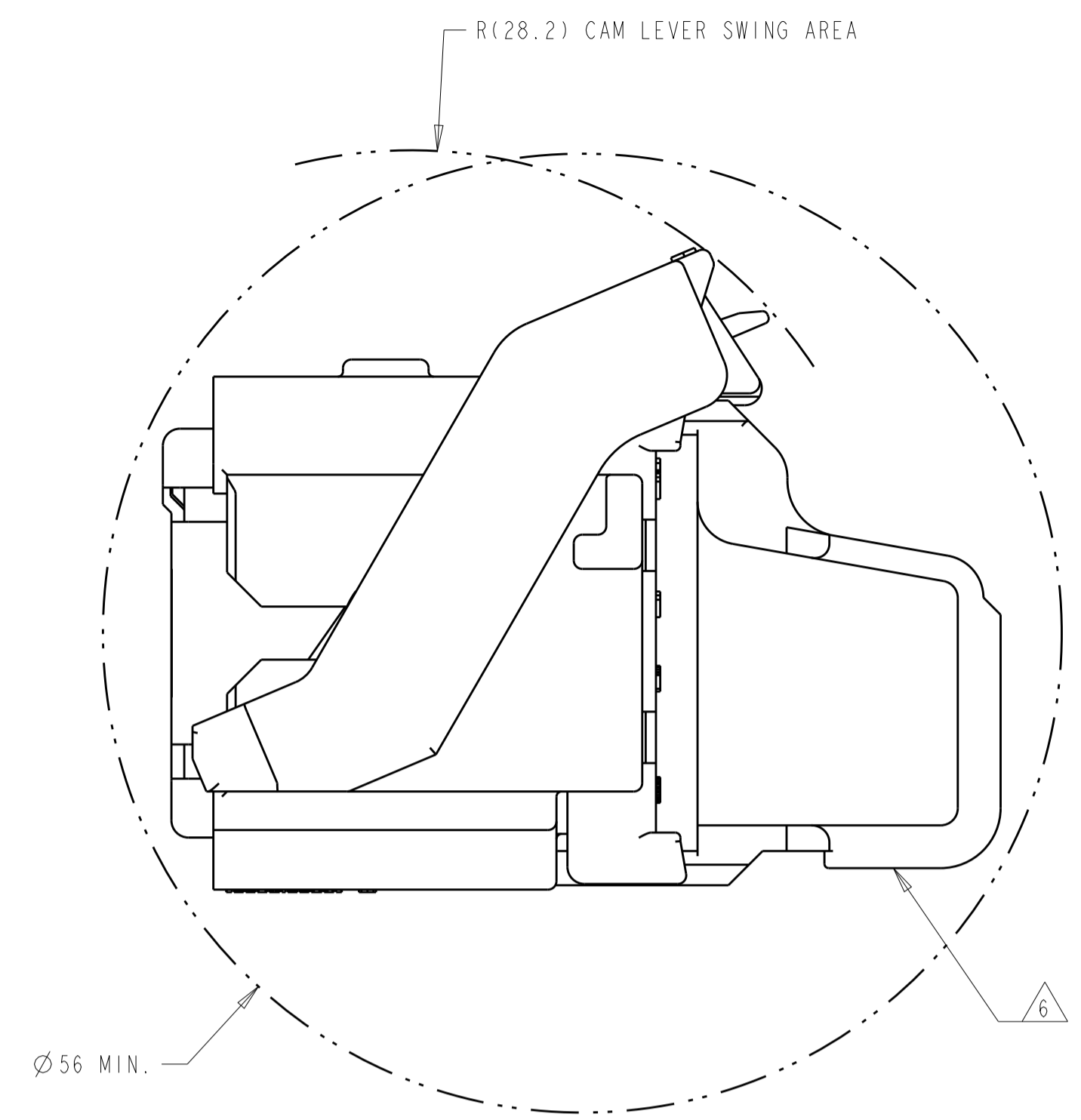
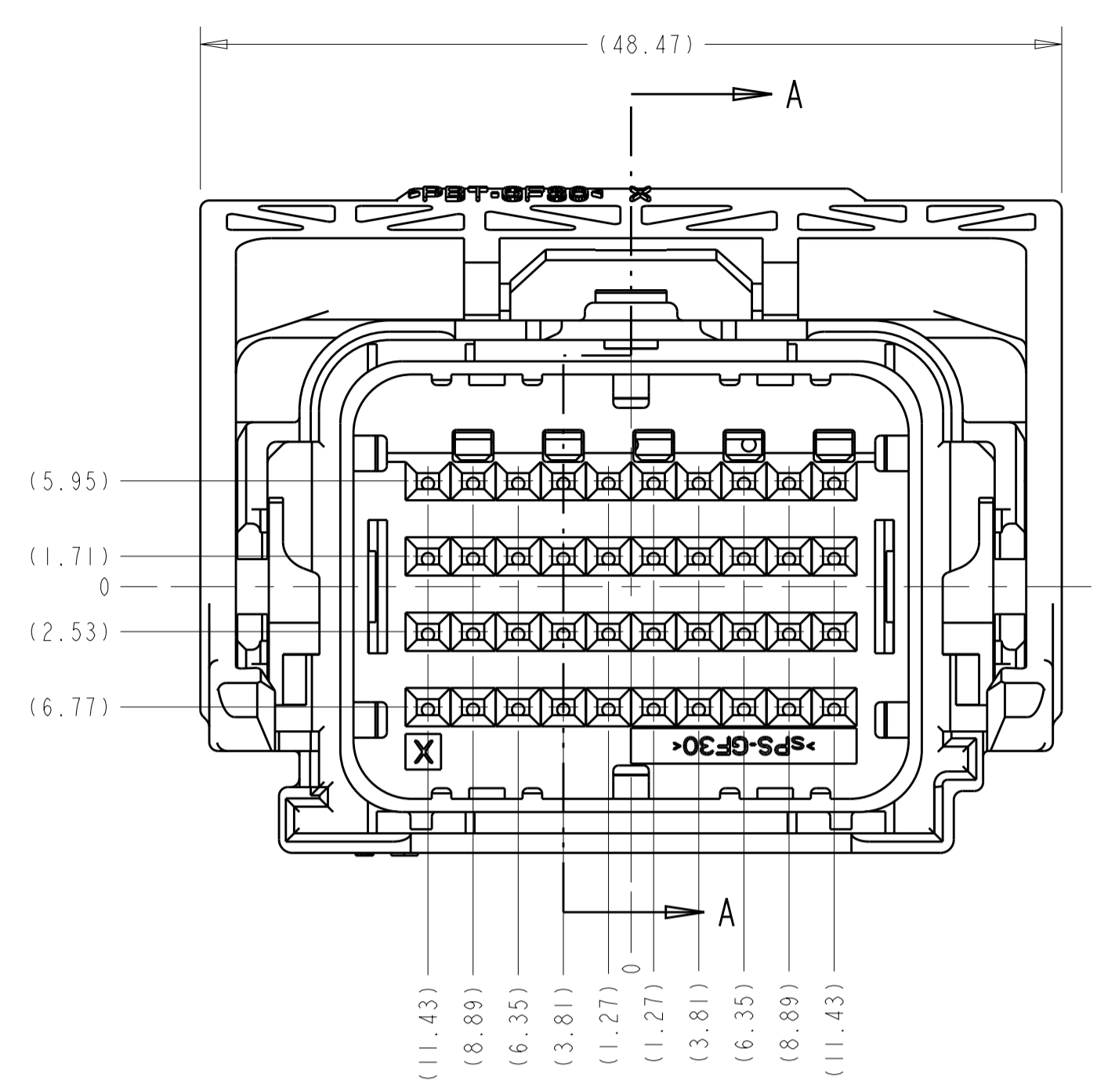
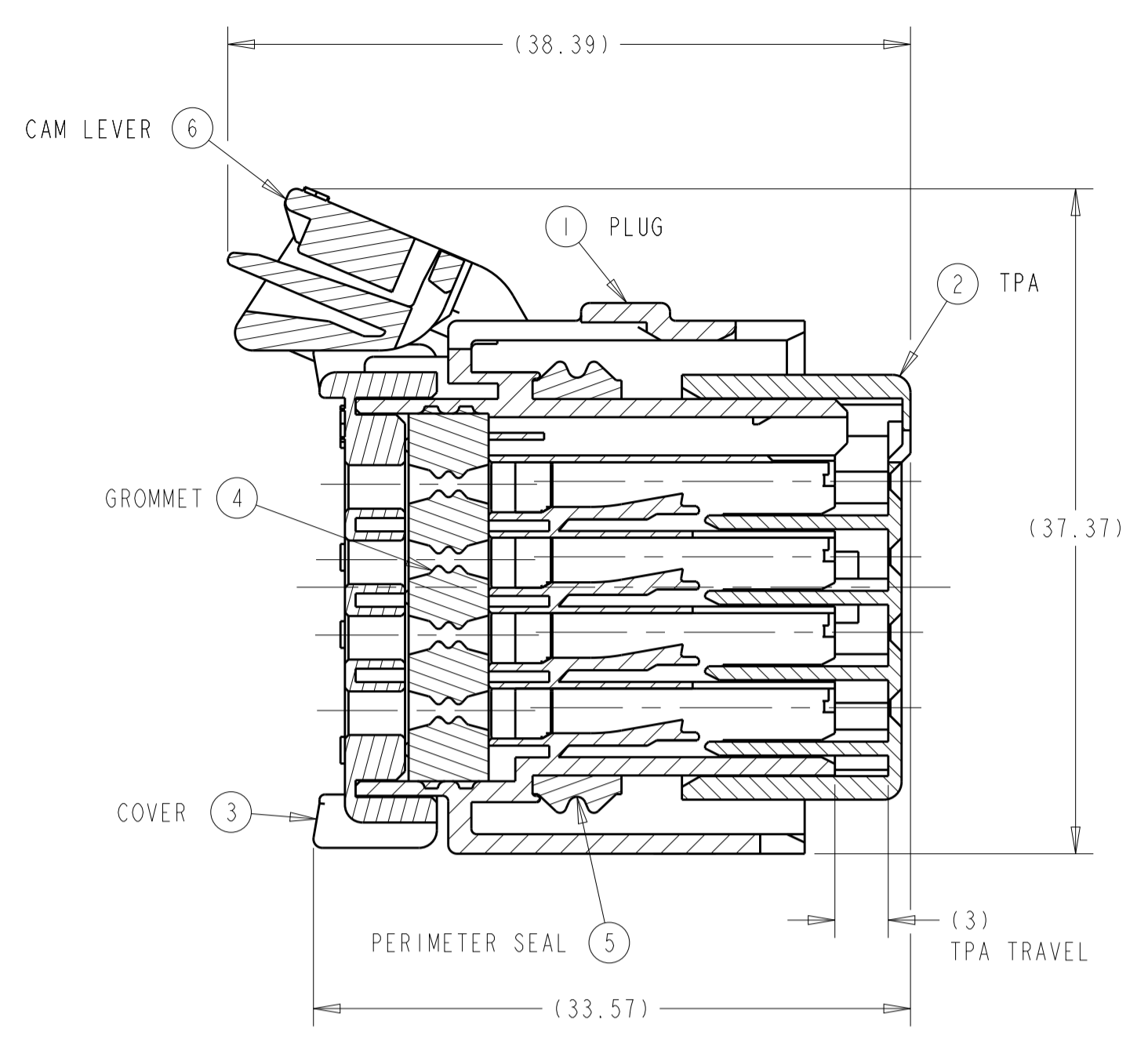
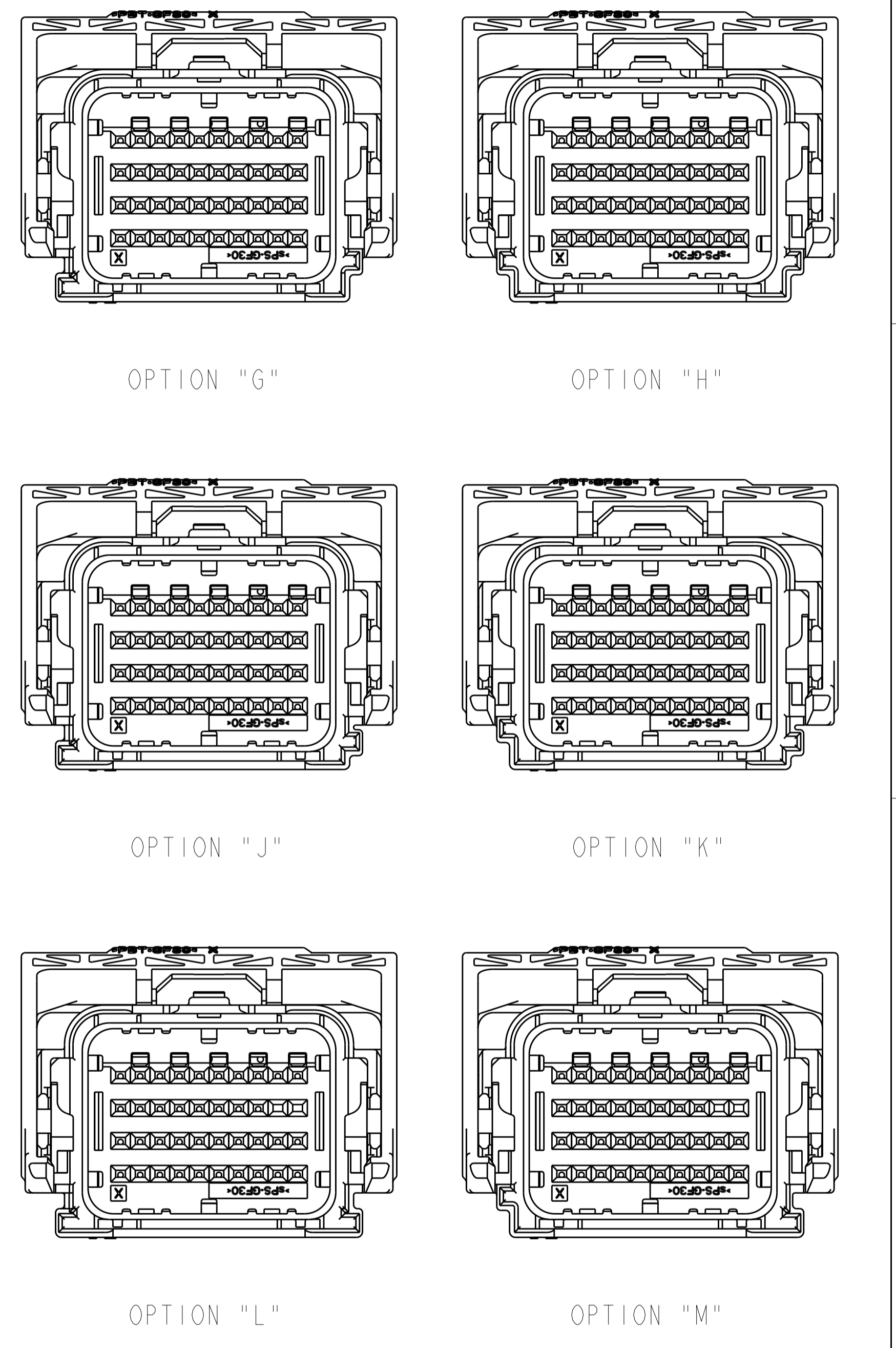


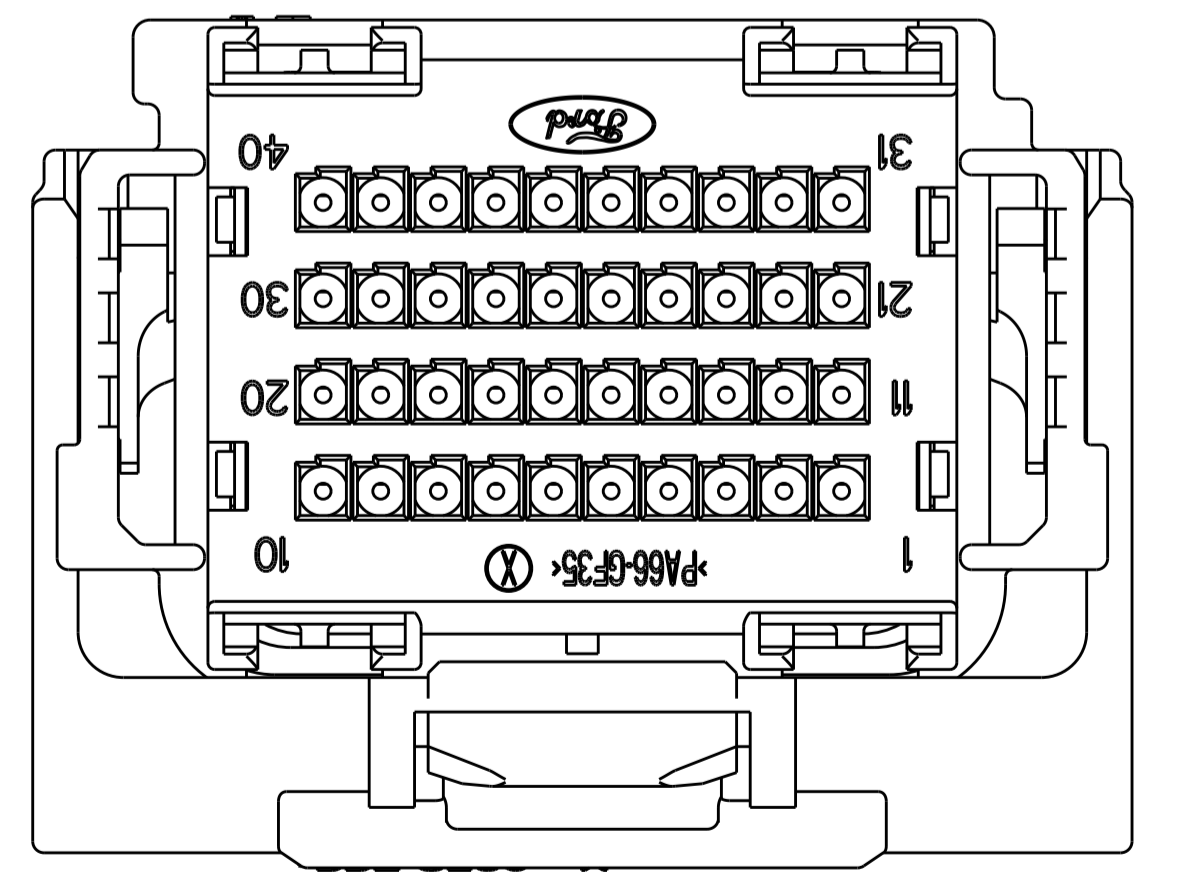
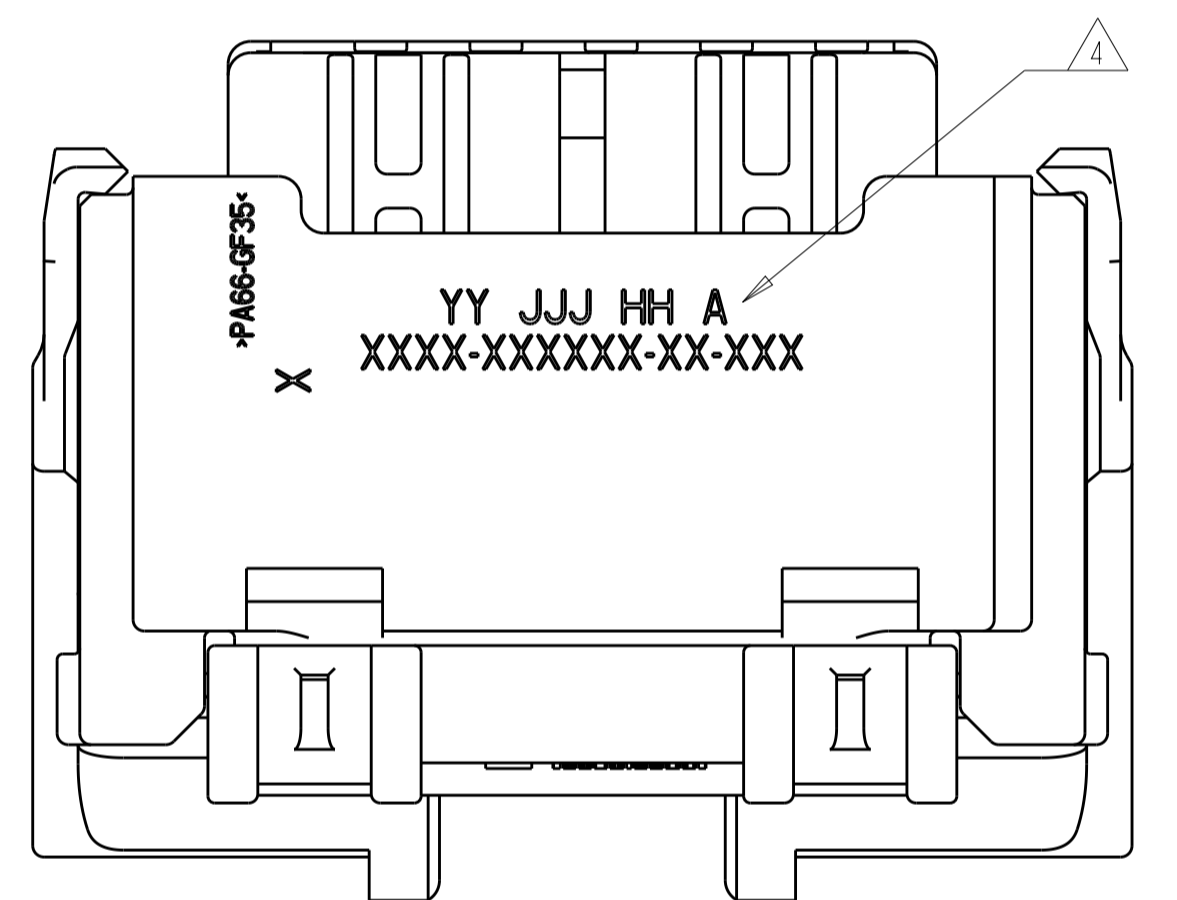
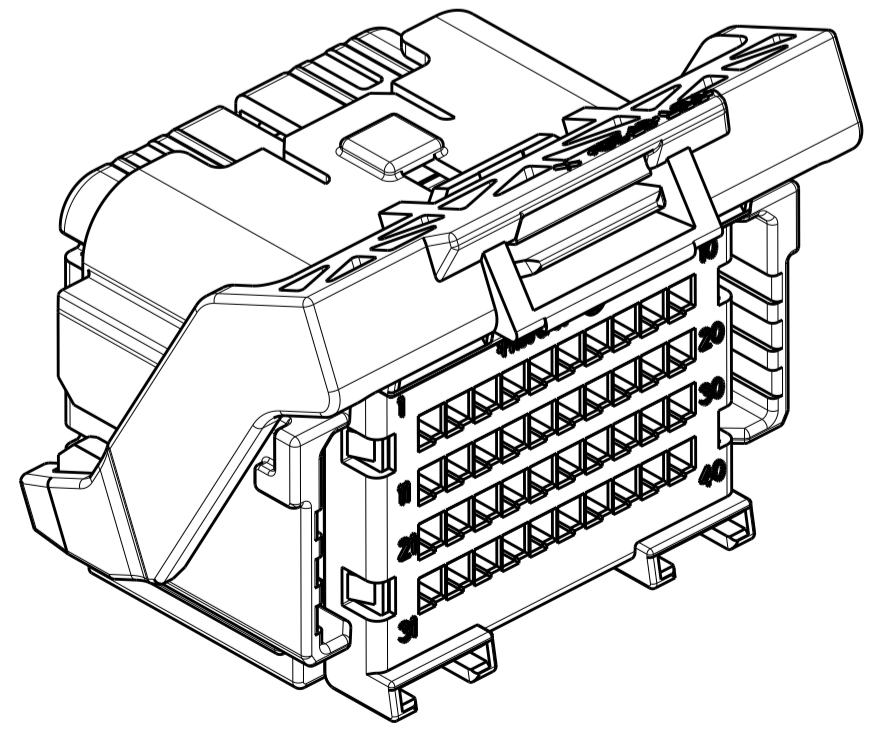
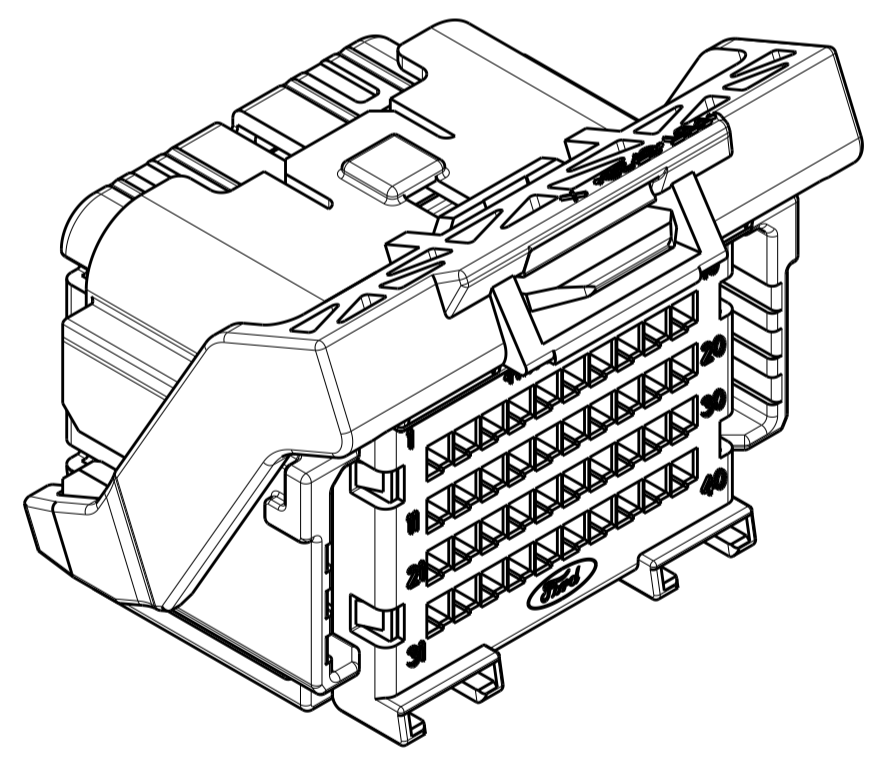
REVISIONS				
P.	LTN	DESCRIPTION	DATE	OWN APVD
CE		REVISED PER ECO-15-012629	01SEP2015	DLD WTW



KEYING OPTIONS  
SCALE 2:1



MINIMUM FEED THROUGH CONDITION  
WITH 1mm CLEARANCE ALL AROUND  
SHOWN WITH OPTION WIRESHIELD  
TPA IS IN IT'S LOADED POSITION  
CAM LEVER IS IN IT'S PRE-LOADED POSITION



- APPLICABLE TERMINAL PART NUMBERS (SOLD SEPARATELY):  
FOR TIN APPLICATIONS: 1393367 AND 1393366.  
FOR GOLD APPLICATIONS: 1393365 AND 1393364.  
FOR TERMINATION AND REELING OPTIONS  
SEE DRAWINGS 1393367, 1393366, 1393365, AND 1393364.
- COMPATIBLE WIRE SIZES FOR MAT SEAL DESIGN 1.19 TO 2.06 O.D.  
(22-18 AWG, 0.35-0.75 mm<sup>2</sup>)
- TPA AND CAM LEVER ARE SHIPPED IN THEIR PRE-LOADED POSITION.  
ALL ASSEMBLIES ARE TO BE TRAY PACKAGED.
- CUSTOMER PART NUMBER AND TRACEABILITY CODE (YY = TWO DIGIT YEAR,  
JJJ = JULIAN DAY, HH = TWO DIGIT MILITARY HOUR, A = ASSEMBLY PROCESS  
USED) ARE PRINTED IN THIS LOCATION.
- PART ASSEMBLY WEIGHT WITHOUT TERMINALS AND WITH STANDARD PIN-OUT  
CONFIGURATION IS 24.71 GRAMS.
- OPTIONAL WIRESHIELD P/N 8-1419157-8 (SOLD SEPARATELY). PLEASE CONTACT  
YOUR TE SALES REPRESENTATIVE FOR AVAILABILITY AND PRICING.

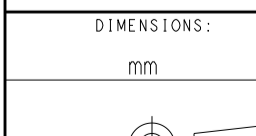
THIS DRAWING IS A CONTROLLED DOCUMENT.		OWN: M. FORLSKA 19APR2002	TE Connectivity NAME: 40 WAY ARM, PLUG ASSEMBLY WITHOUT SHORTING BARS, CUSTOMER SPEC.
DIMENSIONS: mm		CHK: M. FORLSKA 19APR2002	
TOLERANCES UNLESS OTHERWISE SPECIFIED:		APVD: A. VALASEK 19APR2002	SIZE: A1
0 PLC ±	1 PLC ±0.3	PRODUCT SPEC	CAGE CODE: 00779
2 PLC ±0.10	3 PLC ±	APPLICATION SPEC	DRAWING NO: 8-1419157-7
4 PLC ±	ANGLES ±	WEIGHT: SEE NOTE 5	SCALE: 3:1
MATERIAL: SEE CHART ON SHEET 2	FINISH: -	CUSTOMER DRAWING	SHEET 1 OF 5

REVISIONS				
P.	LTN	DESCRIPTION	DATE	OWN APVD
-	-	SEE SHEET 1	-	-

ASSEMBLY PART NUMBERS										ITEM	DESCRIPTION	MATERIAL	FINISH/COLOR	
											6	CAM LEVER	PBT 30% GF	GRAY
											6	CAM LEVER WITH MODIFIED TAB	PA66 35% GF	GRAY
											6	CAM LEVER WITH MODIFIED TAB	PBT 30% GF	GRAY
											5	PERIMETER SEAL	SILICONE	GREEN
											4	GROMMET	SILICONE	BROWN
											3	COVER	PA66 35% GF	BLACK
											2	TPA FOR NON-SHORTING BAR APPLICATIONS	sPS 30% GF	NATURAL
											2	TPA FOR NON-SHORTING BAR APPLICATIONS	sPS 30% GF	RED
											1	PLUG WITH KEYING OPTION "K" AND 5 SHORTING BAR POSITIONS CONFIGURATION	PA66 35% GF	BLACK
											1	PLUG WITH KEYING OPTION "L" AND 5 SHORTING BAR POSITIONS CONFIGURATION	PA66 35% GF	BLACK
											1	PLUG WITH KEYING OPTION "J" AND 5 SHORTING BAR POSITIONS CONFIGURATION	PA66 35% GF	BLACK
											1	PLUG WITH KEYING OPTION "H" AND 5 SHORTING BAR POSITIONS CONFIGURATION	PA66 35% GF	BLACK
											1	PLUG WITH KEYING OPTION "G" AND 5 SHORTING BAR POSITIONS CONFIGURATION	PA66 35% GF	BLACK

ASSEMBLY PART NUMBERS										ITEM	DESCRIPTION	MATERIAL	FINISH/COLOR	
											6	CAM LEVER	PBT 30% GF	GRAY
											6	CAM LEVER WITH MODIFIED TAB	PA66 35% GF	GRAY
											6	CAM LEVER WITH MODIFIED TAB	PBT 30% GF	GRAY
											5	PERIMETER SEAL	SILICONE	GREEN
											4	GROMMET	SILICONE	BROWN
											3	COVER	PA66 35% GF	BLACK
											2	TPA FOR NON-SHORTING BAR APPLICATIONS	sPS 30% GF	NATURAL
											2	TPA FOR NON-SHORTING BAR APPLICATIONS	sPS 30% GF	RED
											1	PLUG WITH KEYING OPTION "K" AND 5 SHORTING BAR POSITIONS CONFIGURATION	PA66 35% GF	BLACK
											1	PLUG WITH KEYING OPTION "L" AND 5 SHORTING BAR POSITIONS CONFIGURATION	PA66 35% GF	BLACK
											1	PLUG WITH KEYING OPTION "J" AND 5 SHORTING BAR POSITIONS CONFIGURATION	PA66 35% GF	BLACK
											1	PLUG WITH KEYING OPTION "H" AND 5 SHORTING BAR POSITIONS CONFIGURATION	PA66 35% GF	BLACK
											1	PLUG WITH KEYING OPTION "G" AND 5 SHORTING BAR POSITIONS CONFIGURATION	PA66 35% GF	BLACK

ASSEMBLY PART NUMBERS										ITEM	DESCRIPTION	MATERIAL	FINISH/COLOR	
											6	CAM LEVER	PBT 30% GF	GRAY
											6	CAM LEVER WITH MODIFIED TAB	PA66 35% GF	GRAY
											6	CAM LEVER WITH MODIFIED TAB	PBT 30% GF	GRAY
											5	PERIMETER SEAL	SILICONE	GREEN
											4	GROMMET	SILICONE	BROWN
											3	COVER	PA66 35% GF	BLACK
											2	TPA FOR NON-SHORTING BAR APPLICATIONS	sPS 30% GF	NATURAL
											2	TPA FOR NON-SHORTING BAR APPLICATIONS	sPS 30% GF	RED
											1	PLUG WITH KEYING OPTION "K" AND 5 SHORTING BAR POSITIONS CONFIGURATION	PA66 35% GF	BLACK
											1	PLUG WITH KEYING OPTION "L" AND 5 SHORTING BAR POSITIONS CONFIGURATION	PA66 35% GF	BLACK
											1	PLUG WITH KEYING OPTION "J" AND 5 SHORTING BAR POSITIONS CONFIGURATION	PA66 35% GF	BLACK
											1	PLUG WITH KEYING OPTION "H" AND 5 SHORTING BAR POSITIONS CONFIGURATION	PA66 35% GF	BLACK
											1	PLUG WITH KEYING OPTION "G" AND 5 SHORTING BAR POSITIONS CONFIGURATION	PA66 35% GF	BLACK

THIS DRAWING IS A CONTROLLED DOCUMENT. DIMENSIONS: mm 		TOLERANCES UNLESS OTHERWISE SPECIFIED: 0 PLC ±0.3 1 PLC ±0.10 2 PLC ±0.10 3 PLC ±0.10 4 PLC ±0.10 ANGLES ±0.5°		DWG: M. FORLSKA 19APR2002 CHK: M. FORLSKA 19APR2002 APVD: A. VALASEK 19APR2002 PRODUCT SPEC: - APPLICATION SPEC: - WEIGHT: SEE NOTE 5 CUSTOMER DRAWING		<b>STE</b> TE Connectivity NAME: 40 WAY ARM, PLUG ASSEMBLY WITHOUT SHORTING BARS, CUSTOMER SPEC. SIZE: A1 CAGE CODE: 00779 DRAWING NO: 8-1419157-7 SCALE: 3:1 SHEET: 2 OF 5 REV: CE	
---	--	--	--	--	--	--	--

THIS DRAWING IS UNPUBLISHED. RELEASED FOR PUBLICATION 20  
 © COPYRIGHT 20 BY - ALL RIGHTS RESERVED.

REVISIONS				
P.	LTN	DESCRIPTION	DATE	APPD
-	-	SEE SHEET 1	-	-

ASSEMBLY PART NUMBERS																				ITEM	DESCRIPTION	MATERIAL	FINISH/COLOR		
																					2098034-1	6	CAM LEVER	PBT 30% GF	GRAY
																					1-1438435-6	6	CAM LEVER WITH MODIFIED TAB	PA66 35% GF	GRAY
																					1-1438435-5	6	CAM LEVER WITH MODIFIED TAB	PBT 30% GF	GRAY
																					1-1438435-4	5	PERIMETER SEAL	SILICONE	GREEN
																					1-1438435-3	4	GROMMET	SILICONE	BROWN
																					1-1438435-2	3	COVER	PA66 35% GF	BLACK
																					1-1438435-1	2	TPA FOR NON-SHORTING BAR APPLICATIONS	sPS 30% GF	NATURAL
																					1-1438435-0	2	TPA FOR NON-SHORTING BAR APPLICATIONS	sPS 30% GF	RED
																					1438435-9	1	PLUG WITH KEYING OPTION "K" AND 5 SHORTING BAR POSITIONS CONFIGURATION	PA66 35% GF	BLACK
																					1438435-8	1	PLUG WITH KEYING OPTION "L" AND 5 SHORTING BAR POSITIONS CONFIGURATION	PA66 35% GF	BLACK
																					1438435-7	1	PLUG WITH KEYING OPTION "J" AND 5 SHORTING BAR POSITIONS CONFIGURATION	PA66 35% GF	BLACK
																					1438435-6	1	PLUG WITH KEYING OPTION "H" AND 5 SHORTING BAR POSITIONS CONFIGURATION	PA66 35% GF	BLACK
																					1438435-5	1	PLUG WITH KEYING OPTION "G" AND 5 SHORTING BAR POSITIONS CONFIGURATION	PA66 35% GF	BLACK
																					1438435-4				
																					1438435-3				
																					1438435-2				
																					1438435-1				

DIMENSIONS: mm 		TOLERANCES UNLESS OTHERWISE SPECIFIED: 0 PLC ± 1 PLC ±0.3 2 PLC ±0.10 3 PLC ± 4 PLC ± ANGLES ±°		THIS DRAWING IS A CONTROLLED DOCUMENT. DWN M. FORLSKA 19APR2002 CHK M. FORLSKA 19APR2002 APPD A. VALASEK 19APR2002		<b>STE</b> TE Connectivity NAME: 40 WAY ARM, PLUG ASSEMBLY WITHOUT SHORTING BARS, CUSTOMER SPEC.	
MATERIAL: SEE CHART ON SHEET 2		FINISH:		WEIGHT:		SIZE: A1 00779 C=8-1419157-7 SCALE: 3:1 SHEET 3 OF 5 REV: CE	

REVISIONS table with columns: P, LTR, DESCRIPTION, DATE, DWN, APVD. Row 1: SEE SHEET 1.

PIN-OUT CHART table with columns for terminal positions (1-40) and keying options (KEY "J", KEY "H", KEY "L", KEY "G"). Includes notes: CAVITIES WITH A NUMERIC SYMBOL INDICATE CLOSED TERMINAL HOLE POSITIONS, BLANK CAVITIES INDICATE OPEN TERMINAL HOLE POSITIONS.

PIN-OUT CHART table for 2098034-1 with columns for terminal positions (1-40) and keying options (KEY "H", KEY "L", KEY "J", KEY "G"). Includes notes: CAVITIES WITH A NUMERIC SYMBOL INDICATE CLOSED TERMINAL HOLE POSITIONS, BLANK CAVITIES INDICATE OPEN TERMINAL HOLE POSITIONS.

Technical specifications and administrative information including: DIMENSIONS (mm), TOLERANCES UNLESS OTHERWISE SPECIFIED, MATERIAL (SEE CHART ON SHEET 2), THIS DRAWING IS A CONTROLLED DOCUMENT, and ISTE logo with TE Connectivity name.

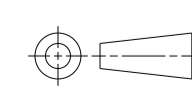
THIS DRAWING IS UNPUBLISHED. RELEASED FOR PUBLICATION 20  
 © COPYRIGHT 20 BY - ALL RIGHTS RESERVED.

REVISIONS				
P.	LTN	DESCRIPTION	DATE	APVD
-		SEE SHEET 1	-	-

PIN-OUT CHART

TERMINAL HOLE POSITION	ASSEMBLY PART NUMBER	PLUG KEYING OPTION
26 27 28	5-1924513-1	KEY "J"
26 27	5-1924513-0	KEY "J"
28	4-1924513-9	KEY "J"
33 34		
33 34		
33	2138987-2	KEY "G"
35 36 37 38 39	2138987-1	KEY "G"
1 2 3 4 5 6 7 8 9 10 11 12 13 14 15 16 17 18 19 20 21 22 23 24 25 26 27 28 29 30 31 32 33 34 35 36 37 38 39 40		

CAVITIES WITH A NUMERIC SYMBOL INDICATE CLOSED TERMINAL HOLE POSITIONS  
 BLANK CAVITIES INDICATE OPEN TERMINAL HOLE POSITIONS

THIS DRAWING IS A CONTROLLED DOCUMENT.		DWN M. FORLSKA 19APR2002 CHK M. FORLSKA 19APR2002 APVD A. VALASEK 19APR2002	<b>STE</b> TE Connectivity NAME 40 WAY ARM, PLUG ASSEMBLY WITHOUT SHORTING BARS, CUSTOMER SPEC.
DIMENSIONS: mm 	TOLERANCES UNLESS OTHERWISE SPECIFIED: 0 PLC ± 1 PLC ±0.3 2 PLC ±0.10 3 PLC ± 4 PLC ± ANGLES ±3° FINISH -	PRODUCT SPEC APPLICATION SPEC WEIGHT - CUSTOMER DRAWING	SIZE A1 CAGE CODE 00779 DRAWING NO. C=8-1419157-7 RESTRICTED TO - SCALE 3:1 SHEET 5 OF 5 REV CE

Компания «Океан Электроники» предлагает заключение долгосрочных отношений при поставках импортных электронных компонентов на взаимовыгодных условиях!

Наши преимущества:

- Поставка оригинальных импортных электронных компонентов напрямую с производств Америки, Европы и Азии, а так же с крупнейших складов мира;
- Широкая линейка поставок активных и пассивных импортных электронных компонентов (более 30 млн. наименований);
- Поставка сложных, дефицитных, либо снятых с производства позиций;
- Оперативные сроки поставки под заказ (от 5 рабочих дней);
- Экспресс доставка в любую точку России;
- Помощь Конструкторского Отдела и консультации квалифицированных инженеров;
- Техническая поддержка проекта, помощь в подборе аналогов, поставка прототипов;
- Поставка электронных компонентов под контролем ВП;
- Система менеджмента качества сертифицирована по Международному стандарту ISO 9001;
- При необходимости вся продукция военного и аэрокосмического назначения проходит испытания и сертификацию в лаборатории (по согласованию с заказчиком);
- Поставка специализированных компонентов военного и аэрокосмического уровня качества (Xilinx, Altera, Analog Devices, Intersil, Interpoint, Microsemi, Actel, Aeroflex, Peregrine, VPT, Syfer, Eurofarad, Texas Instruments, MS Kennedy, Miteq, Cobham, E2V, MA-COM, Hittite, Mini-Circuits, General Dynamics и др.);

Компания «Океан Электроники» является официальным дистрибьютором и эксклюзивным представителем в России одного из крупнейших производителей разъемов военного и аэрокосмического назначения «JONHON», а так же официальным дистрибьютором и эксклюзивным представителем в России производителя высокотехнологичных и надежных решений для передачи СВЧ сигналов «FORSTAR».



## JONHON

«JONHON» (основан в 1970 г.)

Разъемы специального, военного и аэрокосмического назначения:

(Применяются в военной, авиационной, аэрокосмической, морской, железнодорожной, горно- и нефтедобывающей отраслях промышленности)

«FORSTAR» (основан в 1998 г.)

ВЧ соединители, коаксиальные кабели, кабельные сборки и микроволновые компоненты:

(Применяются в телекоммуникациях гражданского и специального назначения, в средствах связи, РЛС, а так же военной, авиационной и аэрокосмической отраслях промышленности).



Телефон: 8 (812) 309-75-97 (многоканальный)

Факс: 8 (812) 320-03-32

Электронная почта: [ocean@oceanchips.ru](mailto:ocean@oceanchips.ru)

Web: <http://oceanchips.ru/>

Адрес: 198099, г. Санкт-Петербург, ул. Калинина, д. 2, корп. 4, лит. А