

LOW VOLTAGE DETECTOR with SENSE pin

NO.EA-186-160226

Notice

If the SENSE pin voltage of R3117xxx1A/C and R3117Qxx2A/C make the gradual curve by raising 0.5V/ms or less, it may cause noise when the output voltage is switched from low to high. Please use R3117xxx3A/C and R3117Qxx4A/C Series for new designs instead of these products to avoid the above problem.

OUTLINE

The R3117x series are CMOS-based voltage detector ICs with high detector threshold accuracy and ultra-low supply current, which can be operated at an extremely low voltage and is used for system reset as an example.

Each of these ICs consists of a voltage reference unit, a comparator, resistors for detector threshold setting, an output driver and a hysteresis circuit. The detector threshold is fixed with high accuracy internally and does not require any adjustment.

The tolerance of the detector threshold is $\pm 15\text{mV}$ ($-V_{\text{DET}} \leq 1.5\text{V}$) or $\pm 1.0\%$ ($1.5\text{V} < -V_{\text{DET}}$). Since the sense pin is separated from the V_{DD} pin of the IC, therefore, even if the sense pin voltage becomes to 0V, the output voltage keeps its "L" level.

Two output types, Nch open drain type and CMOS type are available.

Three types of packages, SOT-23-5, SC-88A, and DFN(PLP)1010-4 are available.

FEATURES*

- Supply Current Typ. $0.29\mu\text{A}$ ($V_{\text{DD}}=6.0\text{V}$)
Consumption current through SENSE pin is not included.
- Operating Voltage Range..... 1.0V to 6.0V ($-40^\circ\text{C} \leq T_{\text{opt}} \leq 105^\circ\text{C}$)
- Detector Threshold Range..... 0.7V to 5.0V (0.1V steps)
(For other voltages, please refer to MARK INFORMATION.)
- Accuracy Detector Threshold..... $\pm 1.0\%$ ($-V_{\text{DET}} \geq 1.6\text{V}$), $\pm 15\text{mV}$ ($-V_{\text{DET}} < 1.6\text{V}$)
- Temperature-Drift Coefficient of Detector Threshold Typ. $\pm 30\text{ppm}/^\circ\text{C}$
- Output Types Nch Open Drain and CMOS
- Packages DFN(PLP)1010-4, SC-88A, SOT-23-5
* $T_{\text{opt}}=25^\circ\text{C}$, unless otherwise noted.

APPLICATIONS

- CPU and Logic Circuit Reset
- Battery Checker
- Window Comparator
- Wave Shaping Circuit
- Battery Back-up Circuit
- Power Failure Detector

BLOCK DIAGRAMS

Nch Open Drain Output (R3117xxxxA)



CMOS Output (R3117xxxxC)



SELECTION GUIDE

The package type, the detector threshold, the output type and the taping type for the ICs can be selected at the users' request.

| Product Name | Package | Quantity per Reel | Pb Free | Halogen Free |
|------------------|----------------|-------------------|---------|--------------|
| R3117Kxx1*-TR | DFN(PLP)1010-4 | 10,000 pcs | Yes | Yes |
| R3117Qxx2*-TR-FE | SC-88A | 3,000 pcs | Yes | Yes |
| R3117Nxx1*-TR-FE | SOT-23-5 | 3,000 pcs | Yes | Yes |

xx: The detector threshold can be designated in the range from 0.7V(07) to 5.0V(50) in 0.1V steps.
(For other voltages, please refer to MARK INFORMATIONS.)

* : Designation of Output Type
(A) Nch Open Drain
(C) CMOS

PIN CONFIGURATIONS



PIN DESCRIPTIONS

• DFN(PLP)1010-4*¹

| Pin No. | Symbol | Description |
|---------|------------------|------------------------------------|
| 1 | D _{OUT} | Output Pin ("L" at detection) |
| 2 | SENSE | Voltage Detector Voltage Sense Pin |
| 3 | GND | Ground Pin |
| 4 | V _{DD} | Input Pin |

*1) Tab is GND level. (They are connected to the reverse side of this IC.)

The tab is better to be connected to the GND, but leaving it open is also acceptable.

• SC-88A

| Pin No. | Symbol | Description |
|---------|------------------|------------------------------------|
| 1 | V _{DD} | Input Pin |
| 2 | NC | No Connection* ² |
| 3 | GND | Ground Pin |
| 4 | SENSE | Voltage Detector Voltage Sense Pin |
| 5 | D _{OUT} | Output Pin ("L" at detection) |

*2) In terms of NC pin of SC-88A, connect it to the GND or use it as open.

• SOT-23-5

| Pin No. | Symbol | Description |
|---------|------------------|------------------------------------|
| 1 | D _{OUT} | Output Pin ("L" at detection) |
| 2 | V _{DD} | Input Pin |
| 3 | GND | Ground Pin |
| 4 | NC | No Connection |
| 5 | SENSE | Voltage Detector Voltage Sense Pin |

ABSOLUTE MAXIMUM RATINGS

| Symbol | Item | Rating | Unit |
|--------------------|--|--|------|
| V _{DD} | Supply Voltage | 7.0 | V |
| V _{SENSE} | SENSE Pin Voltage | 7.0 | V |
| V _{OUT} | Output Voltage (Nch Open Drain Output) | V _{SS} -0.3 to 7.0 | V |
| | Output Voltage (CMOS Output) | V _{SS} -0.3 to V _{DD} +0.3 | |
| I _{OUT} | Output Current | 20 | mA |
| P _D | Power Dissipation (DFN(PLP)1010-4)* | 400 | mW |
| | Power Dissipation (SC-88A)* | 380 | |
| | Power Dissipation (SOT-23-5)* | 420 | |
| T _{opt} | Operating Temperature Range | -40 to 105 | °C |
| T _{stg} | Storage Temperature Range | -55 to 125 | °C |

*) For Power Dissipation, please refer to PACKAGE INFORMATION.

ABSOLUTE MAXIMUM RATINGS

Electronic and mechanical stress momentarily exceeded absolute maximum ratings may cause the permanent damages and may degrade the life time and safety for both device and system using the device in the field. The functional operation at or over these absolute maximum ratings is not assured.

ELECTRICAL CHARACTERISTICS

- R3117xxxxA/C values indicate $-40^{\circ}\text{C} \leq T_{\text{opt}} \leq 105^{\circ}\text{C}$, unless otherwise noted. T_{opt}=25°C

| Symbol | Item | Conditions | Min. | Typ. | Max. | Unit | |
|-------------------|--|---|--|--|--|---|----|
| -V _{DET} | Detector Threshold (T _{opt} =25°C) | 0.7V ≤ -V _{DET} < 1.6V | 1.0V ≤ V _{DD} ≤ 5.25V | -V _{DET} -15 | | -V _{DET} +15 | mV |
| | | | 5.25V < V _{DD} ≤ 6.0V | -V _{DET} -11 | | -V _{DET} +24 | |
| | | 1.6V ≤ -V _{DET} ≤ 5.0V | 1.0V ≤ V _{DD} ≤ 5.25V | -V _{DET} ×0.99 | | -V _{DET} ×1.01 | V |
| | | | 5.25V < V _{DD} ≤ 6.0V | -V _{DET} ×0.9925 | | -V _{DET} ×1.016 | |
| -V _{DET} | Detector Threshold (-40°C ≤ T _{opt} ≤ 105°C) | 0.7V ≤ -V _{DET} < 1.6V | 1.0V ≤ V _{DD} ≤ 5.25V | -V_{DET}-30 | | -V_{DET}+30 | mV |
| | | | 5.25V < V _{DD} ≤ 6.0V | -V_{DET}-26 | | -V_{DET}+39 | |
| | | 1.6V ≤ -V _{DET} ≤ 5.0V | 1.0V ≤ V _{DD} ≤ 5.25V | -V_{DET} ×0.98 | | -V_{DET} ×1.02 | V |
| | | | 5.25V < V _{DD} ≤ 6.0V | -V_{DET} ×0.9825 | | -V_{DET} ×1.026 | |
| V _{HYS} | Detector Threshold Hysteresis | V _{DD} =1.0V to 6.0V | -V_{DET} ×0.04 | | -V_{DET} ×0.07 | V | |
| I _{SS} | Supply Current*1 | V _{SENSE} =-V _{DET} -0.1V | | 0.31 | 1.47 | μA | |
| | | V _{SENSE} =-V _{DET} ×1.1 | | 0.29 | 1.25 | | |

| Symbol | Item | Conditions | Min. | Typ. | Max. | Unit | | |
|---|--|--|---|--|-------|------------|----|----|
| R _{SENSE} | Sense Resistor | -V _{DET} < 1.5V | 6 | | 25 | MΩ | | |
| | | 1.5V ≤ -V _{DET} < 4.7V | 5 | 40 | | | | |
| | | 4.7V ≤ -V _{DET} | 10 | 40 | | | | |
| V _{DD} | Operating Voltage | -40°C ≤ T _{opt} ≤ 105°C | 1.0 | | 6.0 | V | | |
| V _{DDL} | Minimum Operating Voltage*2 | T _{opt} =25°C | | | 0.50 | V | | |
| | | -40°C ≤ T _{opt} ≤ 105°C | | | 0.55 | | | |
| I _{OUT} | Output Current (Driver Output Pin) | Nch | V _{DD} =0.6V, V _{DS} =0.05V | 7 | | | mA | |
| | | | -V _{DET} < 1.1V | V _{DD} =0.6V V _{DS} =0.5V | 0.020 | | | |
| | | | 1.1V ≤ -V _{DET} < 1.6V | V _{DD} =1.0V V _{DS} =0.5V | 0.400 | | | |
| | | | 1.6V ≤ -V _{DET} < 3.1V | V _{DD} =1.5V V _{DS} =0.5V | 1.000 | | | |
| | | | 3.1V ≤ -V _{DET} | V _{DD} =3.0V V _{DS} =0.5V | 2.400 | | | |
| | | Pch*3 | -V _{DET} < 4.0V | V _{DD} =4.5V V _{DS} =2.1V | 0.650 | | | mA |
| | | | 4.0V ≤ -V _{DET} | V _{DD} =6.0V V _{DS} =2.1V | 0.900 | | | |
| I _{LEAK} | Nch Driver Leakage Current*4 | V _{DD} =6.0V, V _{DS} =7.0V | | | 140 | nA | | |
| Δ-V _{DET} / ΔT _{opt} | Detector Threshold Temperature Coefficient | -40°C ≤ T _{opt} ≤ 105°C | | ±30 | | ppm /°C | | |
| t _{PHL} | Detector Output Delay Time*5 | V _{DD} =5V | -V _{DET} < 1.5V | | 80 | μs | | |
| | | | 1.5V ≤ -V _{DET} | | 40 | | | |
| t _{PLH} | Release Output Delay Time*5 | V _{DD} =5V | -V _{DET} < 4.5V | | 40 | μs | | |
| | | | 4.5V ≤ -V _{DET} | | 80 | | | |

All of unit are tested and specified under load conditions such that T_{opt}=25°C except for Detector Threshold Temperature Coefficient, Detector Output Delay Time and Release Output Delay Time.

*1: Consumption current through SENSE pin is not included.

*2: In case that the V_{DD} pin and SENSE pin are connected and the value shows the minimum supply voltage (V_{DD}) when the output voltage at detector threshold can be maintained as 0.1V or less. (In case of Nch open drain type, pull-up resistor is 470kΩ and pull-up voltage is set at 5V for testing.) If V_{DD} is high enough, down to 0V is acceptable for SENSE pin.

*3: In case of CMOS type

*4: In case of Nch Open Drain type

*5: In the case of CMOS output type: Time interval from forcing pulsive 6.0V to -V_{DET}-2.0V or 0V, or from forcing 0V to -V_{DET}+2.0V or 6.0V to SENSE pin, to when the output voltage will reach V_{DD}/2.

In the case of Nch Open drain output type: Output pin is pulled up to 5V with 470kΩ and time interval from forcing 6.0V to -V_{DET}-2.0V or 0V, or forcing pulsive 0V to -V_{DET}+2.0V or 6.0V to when the output voltage reaches up to 2.5V.

RECOMMENDED OPERATING CONDITIONS (ELECTRICAL CHARACTERISTICS)

All of electronic equipment should be designed that the mounted semiconductor devices operate within the recommended operating conditions. The semiconductor devices cannot operate normally over the recommended operating conditions, even if when they are used over such conditions by momentary electronic noise or surge. And the semiconductor devices may receive serious damage when they continue to operate over the recommended operating conditions.

ELECTRICAL CHARACTERISTICS BY DETECTOR THRESHOLD

• R3117x07xA/C to R3117x50xA/C

Bold values are checked and guaranteed by design engineering at $-40^{\circ}\text{C} \leq T_{\text{opt}} \leq 105^{\circ}\text{C}$, unless otherwise noted.

$T_{\text{opt}}=25^{\circ}\text{C}$

| Part Number | Detector Threshold $1.0\text{V} \leq V_{\text{DD}} \leq 5.25\text{V}$ | | Detector Threshold $1.0\text{V} \leq V_{\text{DD}} \leq 5.25\text{V}$ | | Detector Threshold $5.25\text{V} < V_{\text{DD}} \leq 6.0\text{V}$ | | Detector Threshold $5.25\text{V} < V_{\text{DD}} \leq 6.0\text{V}$ | | Detector Threshold Hysteresis | |
|--------------|--|--------|--|---------------|---|--------|---|---------------|-------------------------------|--------------|
| | -V _{DET} [V] | | -V _{DET} [V] | | -V _{DET} [V] | | -V _{DET} [V] | | V _{HYS} [V] | |
| | Min. | Max. | Min. | Max. | Min. | Max. | Min. | Max. | Min. | Max. |
| R3117x07xA/C | 0.6850 | 0.7150 | 0.6700 | 0.7300 | 0.6890 | 0.7240 | 0.6740 | 0.7390 | 0.028 | 0.049 |
| R3117x08xA/C | 0.7850 | 0.8150 | 0.7700 | 0.8300 | 0.7890 | 0.8240 | 0.7740 | 0.8390 | 0.032 | 0.056 |
| R3117x09xA/C | 0.8850 | 0.9150 | 0.8700 | 0.9300 | 0.8890 | 0.9240 | 0.8740 | 0.9390 | 0.036 | 0.063 |
| R3117x10xA/C | 0.9850 | 1.0150 | 0.9700 | 1.0300 | 0.9890 | 1.0240 | 0.9740 | 1.0390 | 0.040 | 0.070 |
| R3117x11xA/C | 1.0850 | 1.1150 | 1.0700 | 1.1300 | 1.0890 | 1.1240 | 1.0740 | 1.1390 | 0.044 | 0.077 |
| R3117x12xA/C | 1.1850 | 1.2150 | 1.1700 | 1.2300 | 1.1890 | 1.2240 | 1.1740 | 1.2390 | 0.048 | 0.084 |
| R3117x13xA/C | 1.2850 | 1.3150 | 1.2700 | 1.3300 | 1.2890 | 1.3240 | 1.2740 | 1.3390 | 0.052 | 0.091 |
| R3117x14xA/C | 1.3850 | 1.4150 | 1.3700 | 1.4300 | 1.3890 | 1.4240 | 1.3740 | 1.4390 | 0.056 | 0.098 |
| R3117x15xA/C | 1.4850 | 1.5150 | 1.4700 | 1.5300 | 1.4890 | 1.5240 | 1.4740 | 1.5390 | 0.060 | 0.105 |
| R3117x16xA/C | 1.5840 | 1.6160 | 1.5680 | 1.6320 | 1.5880 | 1.6256 | 1.5720 | 1.6416 | 0.064 | 0.112 |
| R3117x17xA/C | 1.6830 | 1.7170 | 1.6660 | 1.7340 | 1.6872 | 1.7272 | 1.6702 | 1.7442 | 0.068 | 0.119 |
| R3117x18xA/C | 1.7820 | 1.8180 | 1.7640 | 1.8360 | 1.7865 | 1.8288 | 1.7685 | 1.8468 | 0.072 | 0.126 |
| R3117x19xA/C | 1.8810 | 1.9190 | 1.8620 | 1.9380 | 1.8857 | 1.9304 | 1.8667 | 1.9494 | 0.076 | 0.133 |
| R3117x20xA/C | 1.9800 | 2.0200 | 1.9600 | 2.0400 | 1.9850 | 2.0320 | 1.9650 | 2.0520 | 0.080 | 0.140 |
| R3117x21xA/C | 2.0790 | 2.1210 | 2.0580 | 2.1420 | 2.0842 | 2.1336 | 2.0632 | 2.1546 | 0.084 | 0.147 |
| R3117x22xA/C | 2.1780 | 2.2220 | 2.1560 | 2.2440 | 2.1835 | 2.2352 | 2.1615 | 2.2572 | 0.088 | 0.154 |
| R3117x23xA/C | 2.2770 | 2.3230 | 2.2540 | 2.3460 | 2.2827 | 2.3368 | 2.2597 | 2.3598 | 0.092 | 0.161 |
| R3117x24xA/C | 2.3760 | 2.4240 | 2.3520 | 2.4480 | 2.3820 | 2.4384 | 2.3580 | 2.4624 | 0.096 | 0.168 |
| R3117x25xA/C | 2.4750 | 2.5250 | 2.4500 | 2.5500 | 2.4812 | 2.5400 | 2.4562 | 2.5650 | 0.100 | 0.175 |
| R3117x26xA/C | 2.5740 | 2.6260 | 2.5480 | 2.6520 | 2.5805 | 2.6416 | 2.5545 | 2.6676 | 0.104 | 0.182 |
| R3117x27xA/C | 2.6730 | 2.7270 | 2.6460 | 2.7540 | 2.6797 | 2.7432 | 2.6527 | 2.7702 | 0.108 | 0.189 |
| R3117x28xA/C | 2.7720 | 2.8280 | 2.7440 | 2.8560 | 2.7790 | 2.8448 | 2.7510 | 2.8728 | 0.112 | 0.196 |
| R3117x29xA/C | 2.8710 | 2.9290 | 2.8420 | 2.9580 | 2.8782 | 2.9464 | 2.8492 | 2.9754 | 0.116 | 0.203 |
| R3117x30xA/C | 2.9700 | 3.0300 | 2.9400 | 3.0600 | 2.9775 | 3.0480 | 2.9475 | 3.0780 | 0.120 | 0.210 |
| R3117x31xA/C | 3.0690 | 3.1310 | 3.0380 | 3.1620 | 3.0767 | 3.1496 | 3.0457 | 3.1806 | 0.124 | 0.217 |
| R3117x32xA/C | 3.1680 | 3.2320 | 3.1360 | 3.2640 | 3.1760 | 3.2512 | 3.1440 | 3.2832 | 0.128 | 0.224 |
| R3117x33xA/C | 3.2670 | 3.3330 | 3.2340 | 3.3660 | 3.2752 | 3.3528 | 3.2422 | 3.3858 | 0.132 | 0.231 |
| R3117x34xA/C | 3.3660 | 3.4340 | 3.3320 | 3.4680 | 3.3745 | 3.4544 | 3.3405 | 3.4884 | 0.136 | 0.238 |
| R3117x35xA/C | 3.4650 | 3.5350 | 3.4300 | 3.5700 | 3.4737 | 3.5560 | 3.4387 | 3.5910 | 0.140 | 0.245 |
| R3117x36xA/C | 3.5640 | 3.6360 | 3.5280 | 3.6720 | 3.5730 | 3.6576 | 3.5370 | 3.6936 | 0.144 | 0.252 |
| R3117x37xA/C | 3.6630 | 3.7370 | 3.6260 | 3.7740 | 3.6722 | 3.7592 | 3.6352 | 3.7962 | 0.148 | 0.259 |
| R3117x38xA/C | 3.7620 | 3.8380 | 3.7240 | 3.8760 | 3.7715 | 3.8608 | 3.7335 | 3.8988 | 0.152 | 0.266 |
| R3117x39xA/C | 3.8610 | 3.9390 | 3.8220 | 3.9780 | 3.8707 | 3.9624 | 3.8317 | 4.0014 | 0.156 | 0.273 |
| R3117x40xA/C | 3.9600 | 4.0400 | 3.9200 | 4.0800 | 3.9700 | 4.0640 | 3.9300 | 4.1040 | 0.160 | 0.280 |
| R3117x41xA/C | 4.0590 | 4.1410 | 4.0180 | 4.1820 | 4.0692 | 4.1656 | 4.0282 | 4.2066 | 0.164 | 0.287 |
| R3117x42xA/C | 4.1580 | 4.2420 | 4.1160 | 4.2840 | 4.1685 | 4.2672 | 4.1265 | 4.3092 | 0.168 | 0.294 |
| R3117x43xA/C | 4.2570 | 4.3430 | 4.2140 | 4.3860 | 4.2677 | 4.3688 | 4.2247 | 4.4118 | 0.172 | 0.301 |
| R3117x44xA/C | 4.3560 | 4.4440 | 4.3120 | 4.4880 | 4.3670 | 4.4704 | 4.3230 | 4.5144 | 0.176 | 0.308 |
| R3117x45xA/C | 4.4550 | 4.5450 | 4.4100 | 4.5900 | 4.4662 | 4.5720 | 4.4212 | 4.6170 | 0.180 | 0.315 |
| R3117x46xA/C | 4.5540 | 4.6460 | 4.5080 | 4.6920 | 4.5655 | 4.6736 | 4.5195 | 4.7196 | 0.184 | 0.322 |
| R3117x47xA/C | 4.6530 | 4.7470 | 4.6060 | 4.7940 | 4.6647 | 4.7752 | 4.6177 | 4.8222 | 0.188 | 0.329 |
| R3117x48xA/C | 4.7520 | 4.8480 | 4.7040 | 4.8960 | 4.7640 | 4.8768 | 4.7160 | 4.9248 | 0.192 | 0.336 |
| R3117x49xA/C | 4.8510 | 4.9490 | 4.8020 | 4.9980 | 4.8632 | 4.9784 | 4.8142 | 5.0274 | 0.196 | 0.343 |
| R3117x50xA/C | 4.9500 | 5.0500 | 4.9000 | 5.1000 | 4.9625 | 5.0800 | 4.9125 | 5.1300 | 0.200 | 0.350 |

| Sense Resistor | | Nch Driver Output Current 1 | | Nch Driver Output Current2 | | Pch Driver Output Current | | Detector Output Delay Time | | Release Output Delay Time | | |
|----------------|------|---|------|--|-------|--|-------|--|--|--|------|----|
| RSENSE [MΩ] | | IOUT1 [μA] | | IOUT2 [mA] | | IOUT3 [mA] | | tPHL [μs] | | tPLH [μs] | | |
| Min. | Typ. | Cond. | Min. | Cond. | Min. | Cond. | Min. | Cond. | Typ. | Cond. | Typ. | |
| 6 | 25 | V _{DD} = 0.6V V _{DS} = 0.05V | 7 | V _{DD} = 0.6V V _{DS} = 0.5V | 0.020 | V _{DD} = 4.5V V _{DS} = 2.1V | 0.650 | V _{DD} = 5.0V V _{SENSE} = 6.0V ↓ 0V *Note) | 80 | V _{DD} = 5.0V V _{SENSE} = 0V ↓ -V _{DET} +2.0V *Note) | 40 | |
| | | | | V _{DD} = 1.0V V _{DS} = 0.5V | 0.400 | | | *Note) | | | | |
| 5 | 40 | | | V _{DD} = 1.5V V _{DS} = 0.5V | 1.000 | | | | V _{DD} = 5.0V V _{SENSE} = 6.0V ↓ -V _{DET} -2.0V *Note) | | | 40 |
| | | | | V _{DD} = 3.0V V _{DS} = 0.5V | 2.400 | | | *Note) | | | | |
| | | | | V _{DD} = 6.0V V _{DS} = 2.1V | 0.900 | | | | | | | |
| 10 | | | | V _{DD} = 5.0V V _{SENSE} = 0V ↓ 6.0V *Note) | 80 | | | | | | | |

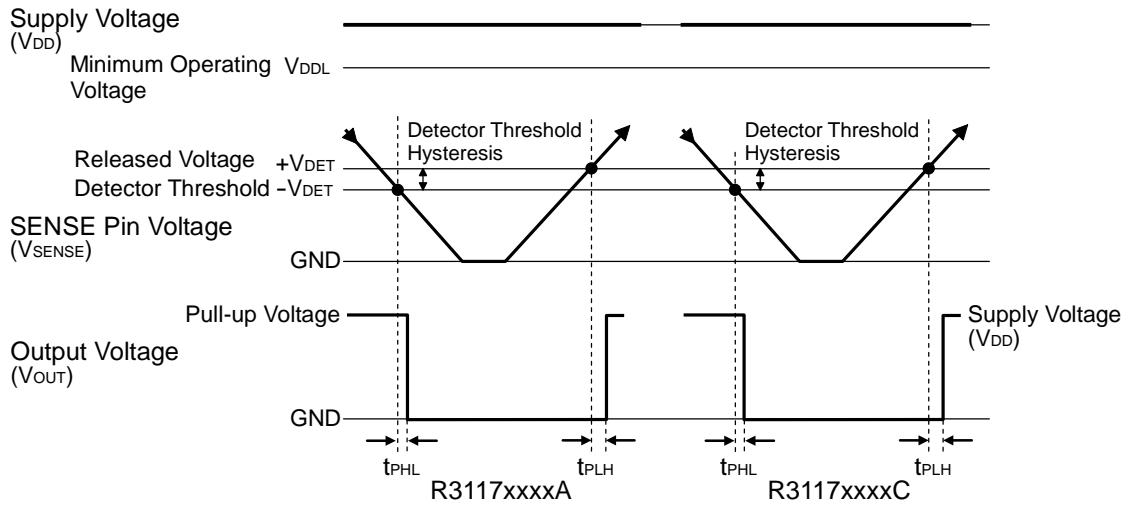
Note) 1. In the case of CMOS output type:

Time interval from forcing pulsive 6.0V to -V_{DET}-2.0V or 0V, or from forcing 0V to -V_{DET}+2.0V or 6.0V to SENSE pin, to when the output voltage will reach V_{DD}/2.

2. In the case of Nch Open drain output type:

Output pin is pulled up to 5V with 470kΩ and time interval from forcing 6.0V to -V_{DET}-2.0V or 0V, or forcing pulsive 0V to -V_{DET}+2.0V or 6.0V to when the output voltage reaches up to 2.5V.

TIMING CHART



If the SENSE pin voltage is raised 0.5V/ms or less, it may cause noise when the output voltage is switched from low to high.

DEFINITION OF OUTPUT DELAY TIME

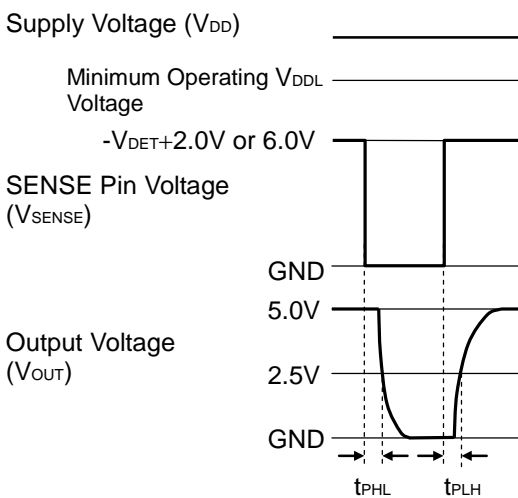
Output Delay Time (t_{PLH}) is defined as follows:

1. In the case of Nch Open Drain Output:

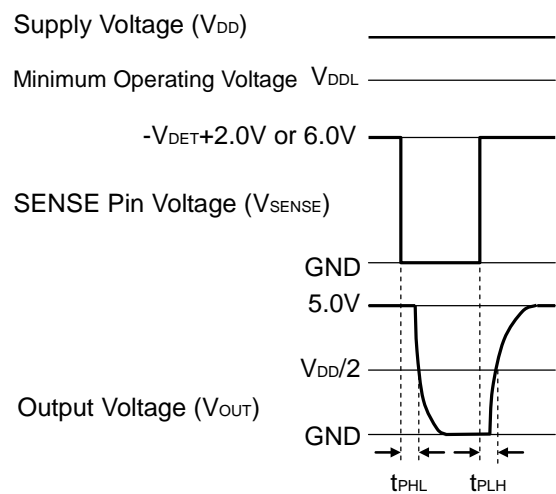
Under the condition of the output pin (D_{OUT}) is pulled up through a resistor of 470k Ω to 5V, the time interval between the rising edge of SENSE Pin pulse from 0V to $(-V_{DET})+2.0V$ or the time interval of 6.0V pulse voltage is supplied, the becoming of the output voltage to 2.5V.

2. In the case of CMOS Output:

The time interval between the rising edge of SENSE Pin pulse from 0V to $(-V_{DET})+2.0V$ or the time interval of 6.0V pulse voltage is supplied, the becoming of the output voltage to $V_{DD}/2$.



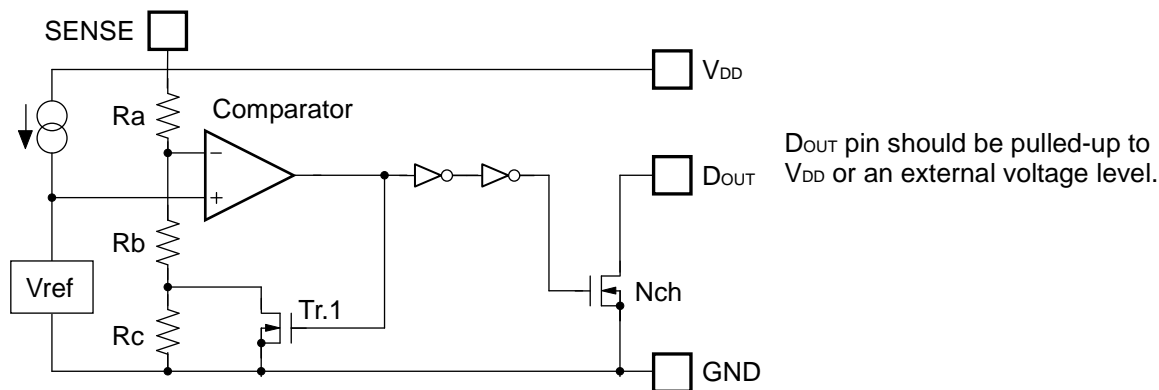
**Nch Open Drain Output
(R3117xxxxA)**



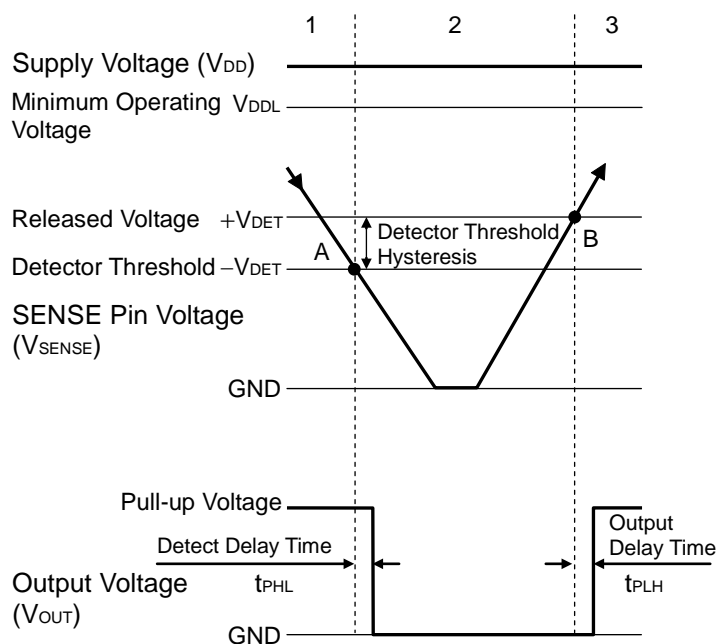
**CMOS Output
(R3117xxxxC)**

OPERATION

• Operation of R3117xxxxA



Block Diagram (R3117xxxxA)



Operation Diagram

| Step | 1 | 2 | 3 |
|----------------------------------|-----|----|-----|
| Comparator (-) Pin Input Voltage | I | II | I |
| Comparator Output | L | H | L |
| Tr.1 | OFF | ON | OFF |
| Output Tr. Nch | OFF | ON | OFF |

$$I \quad \frac{Rb+Rc}{Ra+Rb+Rc} \times V_{SENSE}$$

$$II \quad \frac{Rb}{Ra+Rb} \times V_{SENSE}$$

• Explanation of operation

Step 1. The output voltage is equal to the pull-up voltage.

Step 2. At Point "A", $V_{ref} \geq V_{SENSE} \times (Rb+Rc) / (Ra+Rb+Rc)$ is true, as a result, the output of comparator is reversed from "L" to "H", therefore the output voltage becomes the GND level. The voltage level of Point A means a detector threshold voltage ($-V_{DET}$). (When the supply voltage is lower than the minimum operating voltage, the operation of the output transistor becomes indefinite. The output voltage is equal to the GND level.)

Step 3. At Point "B", $V_{ref} \leq V_{SENSE} \times Rb / (Ra+Rb)$ is true, as a result, the output of comparator is reversed from "H" to "L", then the output voltage is equal to the pull-up voltage. The voltage level of Point B means a released voltage ($+V_{DET}$).

*) The difference between a released voltage and a detector threshold voltage is a detector threshold hysteresis.

• Operation of R3117xxxxC



Block Diagram (R3117xxxxC)



| Step | 1 | 2 | 3 |
|----------------------------------|-----|-----|-----|
| Comparator (-) Pin Input Voltage | I | II | I |
| Comparator Output | L | H | L |
| Tr.1 | OFF | ON | OFF |
| Output Tr. | Pch | ON | OFF |
| | Nch | OFF | ON |

$$I \quad \frac{Rb+Rc}{Ra+Rb+Rc} \times V_{SENSE}$$

$$II \quad \frac{Rb}{Ra+Rb} \times V_{SENSE}$$

Operation Diagram

• Explanation of operation

Step 1. The output voltage is equal to the supply voltage (V_{DD}).

Step 2. At Point "A", $V_{ref} \geq V_{SENSE} \times (Rb+Rc) / (Ra+Rb+Rc)$ is true, as a result, the output of comparator is reversed from "L" to "H", therefore the output voltage becomes the GND level. The voltage level of Point A means a detector threshold voltage ($-V_{DET}$). (When the supply voltage is lower than the minimum operating voltage, the operation of the output transistor becomes indefinite. The output voltage is equal to the GND level.

Step 3. At Point "B", $V_{ref} \leq V_{SENSE} \times Rb / (Ra+Rb)$ is true, as a result, the output of comparator is reversed from "H" to "L", then the output voltage is equal to the supply voltage (V_{DD}). The voltage level of Point B means a released voltage ($+V_{DET}$).

*) The difference between a released voltage and a detector threshold voltage is a detector threshold hysteresis.

Power supply injection order

The R3117xxxxA/C Series supervise the voltage of the SENSE pin. V_{DD} pin and SENSE pin can be used at the same voltage level. Likewise, V_{DD} pin and SENSE pin can be used at the different voltage level. If the V_{DD} pin and SENSE pin are used at different voltage level, regarding the start-up sequence, force the voltage level to V_{DD} pin prior to the SENSE pin.

If the SENSE pin voltage is equal or more than the released voltage ($+V_{DET}$), D_{OUT} pin becomes "H". Besides, a voltage beyond V_{DD} pin is also acceptable to SENSE pin. Concerning the R3117xxxxA series (Nch open drain output type), D_{OUT} pin must be pulled-up with an external resistor.



Fig.1 Turn on sequence

Outside setting of the detection voltage

To monitor the voltage more than 5.0V or if the different detector threshold with using lower threshold device, divider resistors can be applied to the SENSE pin. In this usage, some error range will be generated to the detector threshold voltage caused by the internal resistor R_{SENSE} (Fig.3) of the IC. Supposed that the detector threshold voltage is described as V_s , the next equation will be true.

$$V_s = -V_{DET} \times (R_a + R_b) / R_b.$$

However, actually an error includes by SENSE resistance (R_{SENSE}) of the IC inside. (Figure 3)

$$I_a = I_b + I_{SENSE} \quad \dots\dots\dots(1)$$

$$I_b = -V_{DET} / R_b \quad \dots\dots\dots(2)$$

Thus,

$$I_a = -V_{DET} / R_b + I_{SENSE} \quad \dots\dots\dots(3)$$

Therefore,

$$V_s = -V_{DET} + I_a \times R_a \quad \dots\dots\dots(4)$$

Put Equation (3) into Equation (4), then

$$V_s = -V_{DET} \times (R_a + R_b) / R_b + R_a \times I_{SENSE}$$

$R_a \times I_{SENSE}$ is an error in V_s .

$$\begin{aligned} R_a \times I_{SENSE} &= R_a \times (-V_{DET}) / R_{SENSE} \\ &= -V_{DET} \times R_a / R_{SENSE} \end{aligned}$$

The error range is $-V_{DET} \times R_a / R_{SENSE}$ (Fig.3) and to make it small, choosing the low detector threshold voltage type and set the resistance values R_a, R_b as $R_{SENSE} \gg R_a$. Refer to the electrical characteristics table to see the R_{SENSE} value.



Fig.2

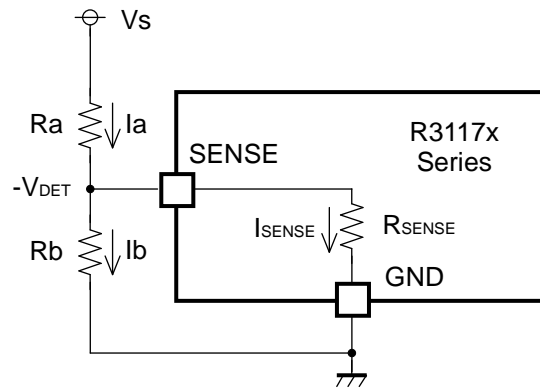


Fig.3

Accuracy Detector Threshold

If the V_{DD} bias voltage is larger than 5.25V, and to keep the detector threshold accuracy level, or if the maximum operating voltage line must be used as the V_{DD} bias voltage, the input voltage must be set low by using the divider resistors which are shown in Fig.4.

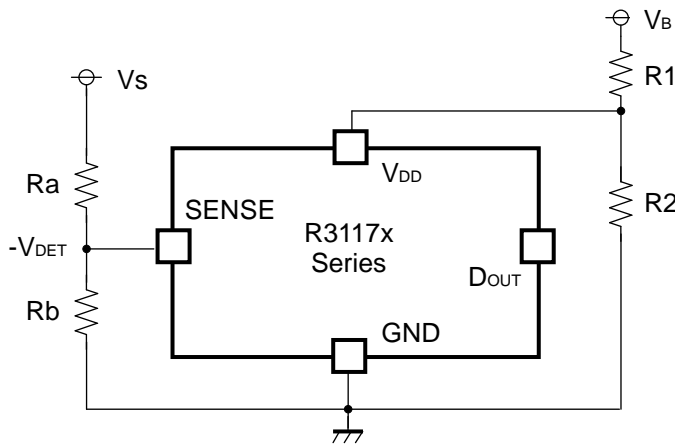


Fig.4

Detector Operation vs. glitch input voltage to the SENSE pin

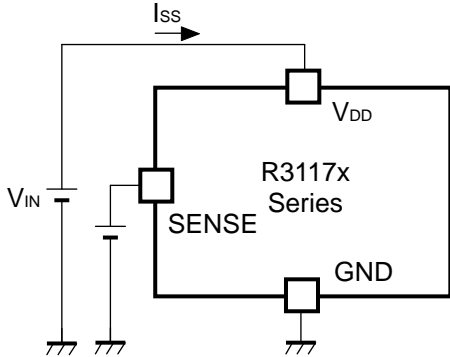
When the R3117x is at released, if the pulse voltage which the detector threshold or lower voltage, the graph below means that the relation between pulse width and the amplitude of the swing to keep the released state for the R3117x.



V_{SENSE} Input Waveform

This graph shows the maximum pulse conditions to keep the released voltage. If the pulse with larger amplitude or wider width than the graph above, is input to SENSE pin, the reset signal may be output.

TEST CIRCUITS



Supply Current Test Circuit



Detector Threshold Test Circuit
(Pull-up circuit is not necessary for CMOS Output type.)



Nch Driver Output Current Test Circuit



Pch Driver Output Current Test Circuit
*Apply to CMOS Output type only

TYPICAL CHARACTERISTICS

1) Supply Current vs. Supply Voltage



2) Detector Threshold vs. Temperature



3) Detector Threshold vs. Supply Voltage



4) Hysteresis vs. Supply Voltage

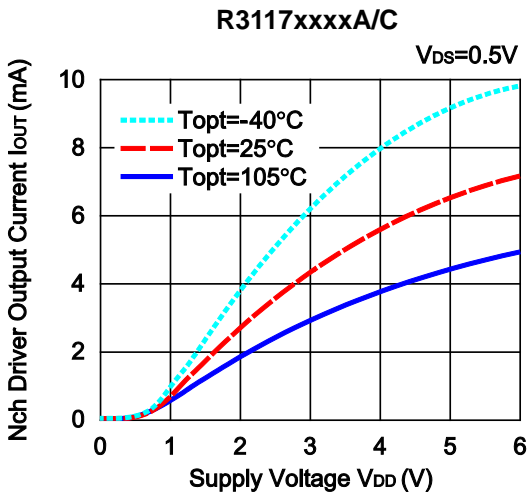




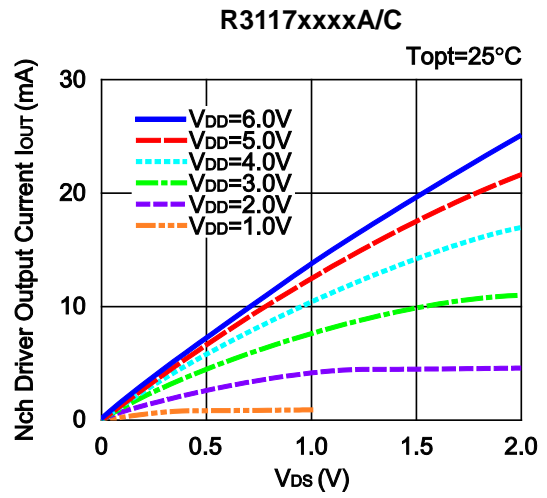
5) Output Voltage vs. SENSE pin Input Voltage (Nch Open Drain Output type is pulled up to V_{DD}.)



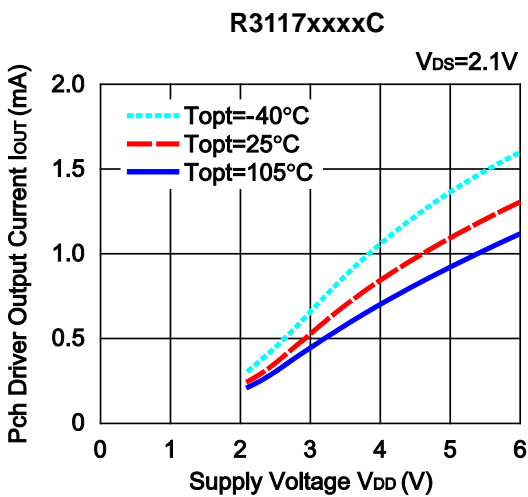
6) Nch Driver Output Current vs. Supply Voltage



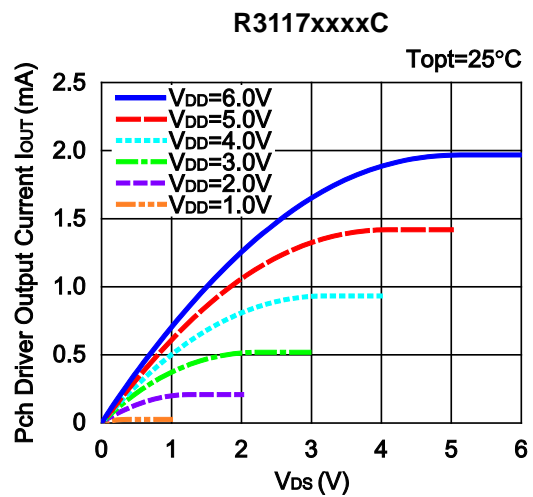
7) Nch Driver Output Current vs. V_{DS}



8) Pch Driver Output Current vs. Supply Voltage



9) Pch Driver Output Current vs. V_{DS}



TYPICAL APPLICATION

- R3117xxxxA CPU Reset Circuit (Nch Open Drain Output)

(1) Input Voltage to R3117xxxxA is equal to Input Voltage to CPU



(2) Input Voltage to R3117xxxxA is unequal to Input Voltage to CPU



- R3117xxxxC CPU Reset Circuit (CMOS Output)



TECHNICAL NOTES

When connecting resistors to the device's input pin

When connecting a resistor (R1) to an input of this device, the input voltage decreases by [Device's Consumption Current] x [Resistance Value] only. And, the cross conduction current*¹, which occurs when changing from the detecting state to the release state, is decreased the input voltage by [Cross Conduction Current] x [Resistance Value] only. And then, this device will enter the re-detecting state if the input voltage reduction is larger than the difference between the detector voltage and the released voltage.

When the input resistance value is large and the VDD is gone up at mildly in the vicinity of the released voltage, repeating the above operation may result in the occurrence of output.

As shown in Figure A/B, set R1 to become 100 kΩ or less as a guide, and connect C_{IN} of 0.1 μF and more to between the input pin and GND. Besides, make evaluations including temperature properties under the actual usage condition, with using the evaluation board like this way. As a result, make sure that the cross conduction current has no problem.



Figure A



Figure B

*¹ In the CMOS output type, a charging current for OUT pin is included.

*² Note the bias dependence of capacitors.



1. The products and the product specifications described in this document are subject to change or discontinuation of production without notice for reasons such as improvement. Therefore, before deciding to use the products, please refer to Ricoh sales representatives for the latest information thereon.
2. The materials in this document may not be copied or otherwise reproduced in whole or in part without prior written consent of Ricoh.
3. Please be sure to take any necessary formalities under relevant laws or regulations before exporting or otherwise taking out of your country the products or the technical information described herein.
4. The technical information described in this document shows typical characteristics of and example application circuits for the products. The release of such information is not to be construed as a warranty of or a grant of license under Ricoh's or any third party's intellectual property rights or any other rights.
5. The products listed in this document are intended and designed for use as general electronic components in standard applications (office equipment, telecommunication equipment, measuring instruments, consumer electronic products, amusement equipment etc.). Those customers intending to use a product in an application requiring extreme quality and reliability, for example, in a highly specific application where the failure or misoperation of the product could result in human injury or death (aircraft, spacevehicle, nuclear reactor control system, traffic control system, automotive and transportation equipment, combustion equipment, safety devices, life support system etc.) should first contact us.
6. We are making our continuous effort to improve the quality and reliability of our products, but semiconductor products are likely to fail with certain probability. In order to prevent any injury to persons or damages to property resulting from such failure, customers should be careful enough to incorporate safety measures in their design, such as redundancy feature, fire containment feature and fail-safe feature. We do not assume any liability or responsibility for any loss or damage arising from misuse or inappropriate use of the products.
7. Anti-radiation design is not implemented in the products described in this document.
8. Please contact Ricoh sales representatives should you have any questions or comments concerning the products or the technical information.



Ricoh is committed to reducing the environmental loading materials in electrical devices with a view to contributing to the protection of human health and the environment.

Ricoh has been providing RoHS compliant products since April 1, 2006 and Halogen-free products since April 1, 2012.

RICOH RICOH ELECTRONIC DEVICES CO., LTD.

<http://www.e-devices.ricoh.co.jp/en/>

Sales & Support Offices

RICOH ELECTRONIC DEVICES CO., LTD.

Higashi-Shinagawa Office (International Sales)
3-32-3, Higashi-Shinagawa, Shinagawa-ku, Tokyo 140-8655, Japan
Phone: +81-3-5479-2857 Fax: +81-3-5479-0502

RICOH EUROPE (NETHERLANDS) B.V.

Semiconductor Support Centre
Prof. W.H. Keesomlaan 1, 1183 DJ Amstelveen, The Netherlands
Phone: +31-20-5474-309

RICOH INTERNATIONAL B.V. - German Branch

Semiconductor Sales and Support Centre
Oberrather Strasse 6, 40472 Düsseldorf, Germany
Phone: +49-211-6546-0

RICOH ELECTRONIC DEVICES KOREA CO., LTD.

3F, Haesung Bldg, 504, Teheran-ro, Gangnam-gu, Seoul, 135-725, Korea
Phone: +82-2-2135-5700 Fax: +82-2-2051-5713

RICOH ELECTRONIC DEVICES SHANGHAI CO., LTD.

Room 403, No.2 Building, No.690 Bibo Road, Pu Dong New District, Shanghai 201203, People's Republic of China
Phone: +86-21-5027-3200 Fax: +86-21-5027-3299

RICOH ELECTRONIC DEVICES CO., LTD.

Taipei office
Room 109, 10F-1, No.51, Hengyang Rd., Taipei City, Taiwan (R.O.C.)
Phone: +886-2-2313-1621/1622 Fax: +886-2-2313-1623

Mouser Electronics

Authorized Distributor

Click to View Pricing, Inventory, Delivery & Lifecycle Information:

Ricoh Electronics:

[R3117K181C-TR](#) [R3117K323C-TR](#) [R3117Q092A-TR-FE](#) [R3117K251A-TR](#) [R3117Q102A-TR-FE](#) [R3117Q292A-TR-FE](#) [R3117N451A-TR-FE](#) [R3117Q282A-TR-FE](#) [R3117K301A-TR](#) [R3117N301C-TR-FE](#) [R3117N201C-TR-FE](#) [R3117Q162A-TR-FE](#) [R3117N071C-TR-FE](#) [R3117N311A-TR-FE](#) [R3117K423C-TR](#) [R3117K151C-TR](#) [R3117K153C-TR](#) [R3117Q122A-TR-FE](#) [R3117N271C-TR-FE](#) [R3117Q222A-TR-FE](#) [R3117K293C-TR](#) [R3117K333C-TR](#) [R3117Q402A-TR-FE](#) [R3117N261A-TR-FE](#) [R3117K383C-TR](#) [R3117N251A-TR-FE](#) [R3117Q312A-TR-FE](#) [R3117K273C-TR](#) [R3117Q242C-TR-FE](#) [R3117K161C-TR](#)

Компания «Океан Электроники» предлагает заключение долгосрочных отношений при поставках импортных электронных компонентов на взаимовыгодных условиях!

Наши преимущества:

- Поставка оригинальных импортных электронных компонентов напрямую с производств Америки, Европы и Азии, а так же с крупнейших складов мира;
- Широкая линейка поставок активных и пассивных импортных электронных компонентов (более 30 млн. наименований);
- Поставка сложных, дефицитных, либо снятых с производства позиций;
- Оперативные сроки поставки под заказ (от 5 рабочих дней);
- Экспресс доставка в любую точку России;
- Помощь Конструкторского Отдела и консультации квалифицированных инженеров;
- Техническая поддержка проекта, помощь в подборе аналогов, поставка прототипов;
- Поставка электронных компонентов под контролем ВП;
- Система менеджмента качества сертифицирована по Международному стандарту ISO 9001;
- При необходимости вся продукция военного и аэрокосмического назначения проходит испытания и сертификацию в лаборатории (по согласованию с заказчиком);
- Поставка специализированных компонентов военного и аэрокосмического уровня качества (Xilinx, Altera, Analog Devices, Intersil, Interpoint, Microsemi, Actel, Aeroflex, Peregrine, VPT, Syfer, Eurofarad, Texas Instruments, MS Kennedy, Miteq, Cobham, E2V, MA-COM, Hittite, Mini-Circuits, General Dynamics и др.);

Компания «Океан Электроники» является официальным дистрибьютором и эксклюзивным представителем в России одного из крупнейших производителей разъемов военного и аэрокосмического назначения «**JONHON**», а так же официальным дистрибьютором и эксклюзивным представителем в России производителя высокотехнологичных и надежных решений для передачи СВЧ сигналов «**FORSTAR**».



JONHON

«**JONHON**» (основан в 1970 г.)

Разъемы специального, военного и аэрокосмического назначения:

(Применяются в военной, авиационной, аэрокосмической, морской, железнодорожной, горно- и нефтедобывающей отраслях промышленности)

«**FORSTAR**» (основан в 1998 г.)

ВЧ соединители, коаксиальные кабели,
кабельные сборки и микроволновые компоненты:

(Применяются в телекоммуникациях гражданского и специального назначения, в средствах связи, РЛС, а так же военной, авиационной и аэрокосмической отраслях промышленности).



Телефон: 8 (812) 309-75-97 (многоканальный)

Факс: 8 (812) 320-03-32

Электронная почта: ocean@oceanchips.ru

Web: <http://oceanchips.ru/>

Адрес: 198099, г. Санкт-Петербург, ул. Калинина, д. 2, корп. 4, лит. А