

Poke Home – Junction Box



Series 9286



Wire-to-Wire connectors have been used in the industrial market for years with traditional 2-Piece (plug and socket) connector systems which require crimp and poke wire terminations to connect electrical or electronic components. In the general wiring market (2-3 wires) there are a number of connector styles available, however, they are limited in sizes, expanded wire gauges and the ability to reuse them when repair or replacement is needed. Based on the existing success of “Poke Home” wire-to-board connectors, AVX has developed a new family of wire-to-wire connectors to meet the cost, flexibility and ease-of-use targets in industrial wiring applications.

The 9286 series of Junction Box connectors provide a high spring force Beryllium Copper contact system that uses simple push button activation to insert and remove individual stripped wires in the connection process. There is a forward and aft shrouded (to prevent accidental activation) push button for each wire connection that can be operated individually or simultaneously with a simple plastic tool or ball point pen tip. This connector family has been designed to bring a single wire in and then have multiple output (bus structure) wires of the same power or signal. Four, Six or Eight wires can be electrically connected together in a single connector body which will support any combination of wire gauges from 18AWG up to 26 AWG. Wires can be removed or replaced up to 5 times so there is no need to replace the connector in a new installation.

APPLICATIONS

- Industrial/Machine Control; motors, solenoids, PLC's, pumps, valves, sensors, fans...
- Commercial/Building; fixtures, fire, security, surveillance, blinds, sensors, controls...
- Commercial/Industrial LED; retail, office, manufacturing, signage, displays...
- Application notes; refer to 201-01-135

FEATURES AND BENEFITS

- High spring force top contact provides a lance type retention to capture and retain the wire
- Shrouded dual push button activation for easy wire insertion/removal
- Accepts 18-26AWG Solid and Stranded wires; any combination
- Expanded size offering to maximize application potential; 4, 6 or 8 positions
- Optional mounting tape to secure in panel mounting applications
- Molded in position numbers and schematic for easy identification

ELECTRICAL

- Current Rating: 10 Amps total
- Voltage Rating: 300v AC

ENVIRONMENTAL

- Operating Temperature: -40°C to +125°C

MECHANICAL

- Insulator Material: Glass-Filled Nylon 46; UL94V0
- Contact Material: Beryllium Copper / Phosphor Bronze
- Plating: Tin over Nickel
- Replacibility: 5 Cycles

HOW TO ORDER

00	9286	00X												
Prefix	Series	Number of Ways												
		<table border="1"> <thead> <tr> <th>Code</th> <th>No of Ways</th> <th>Details</th> </tr> </thead> <tbody> <tr> <td>004</td> <td>4</td> <td>Page 2</td> </tr> <tr> <td>006</td> <td>6</td> <td>Page 3</td> </tr> <tr> <td>008</td> <td>8</td> <td>Page 4</td> </tr> </tbody> </table>	Code	No of Ways	Details	004	4	Page 2	006	6	Page 3	008	8	Page 4
Code	No of Ways	Details												
004	4	Page 2												
006	6	Page 3												
008	8	Page 4												

121								
Wire Size								
<table border="1"> <thead> <tr> <th>Code</th> <th>Wire Gauge</th> <th>Max Conductor</th> <th>Max Insulation</th> </tr> </thead> <tbody> <tr> <td>121</td> <td>18 to 26 AWG</td> <td>1.05mm Diameter</td> <td>2.10mm Diameter</td> </tr> </tbody> </table>	Code	Wire Gauge	Max Conductor	Max Insulation	121	18 to 26 AWG	1.05mm Diameter	2.10mm Diameter
Code	Wire Gauge	Max Conductor	Max Insulation					
121	18 to 26 AWG	1.05mm Diameter	2.10mm Diameter					

9	06
Color Options	Plating Option
9 = UL Red	06 = Tin all over



Certification: UL File #E90723

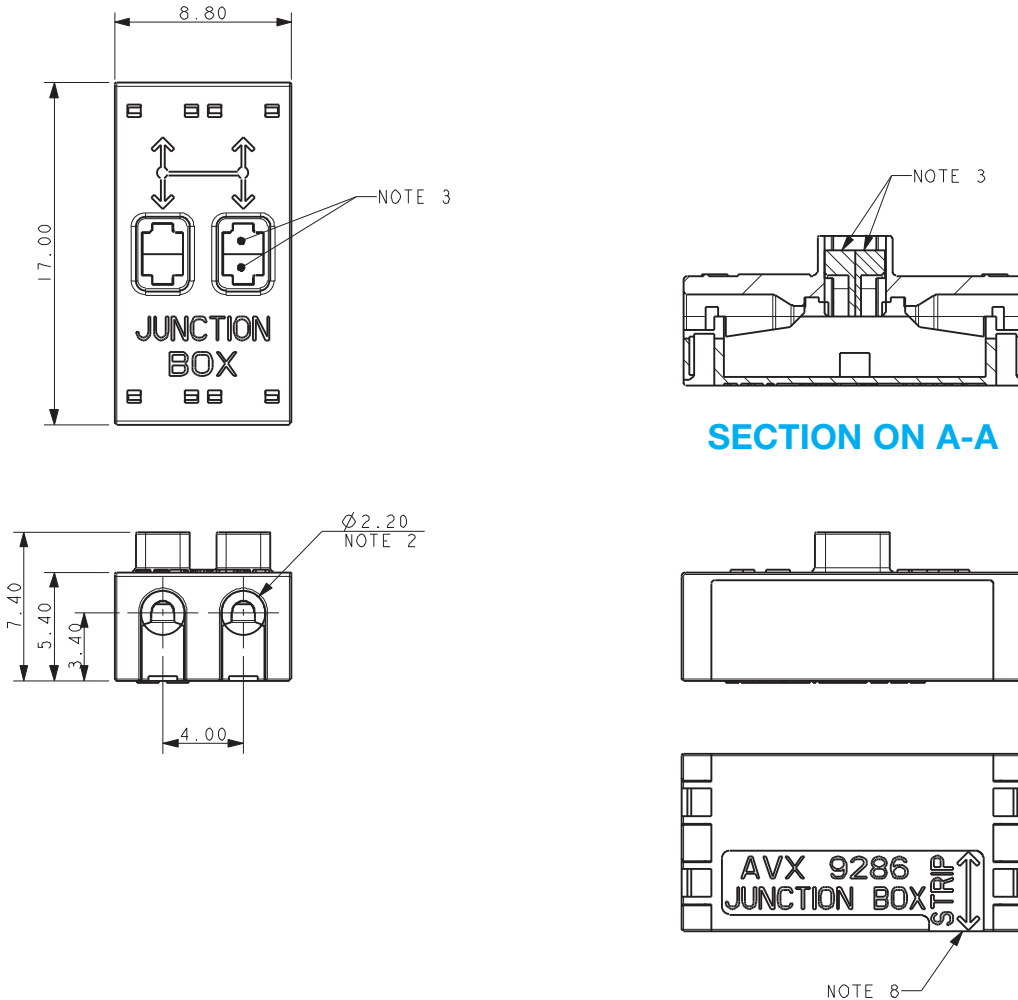


Poke Home – Junction Box



Series 9286

18-26 AWG 4 WAY POKE HOME – JUNCTION BOX



PACKING DETAILS

Pack 400 pieces in a clear plastic bag.

NOTES:

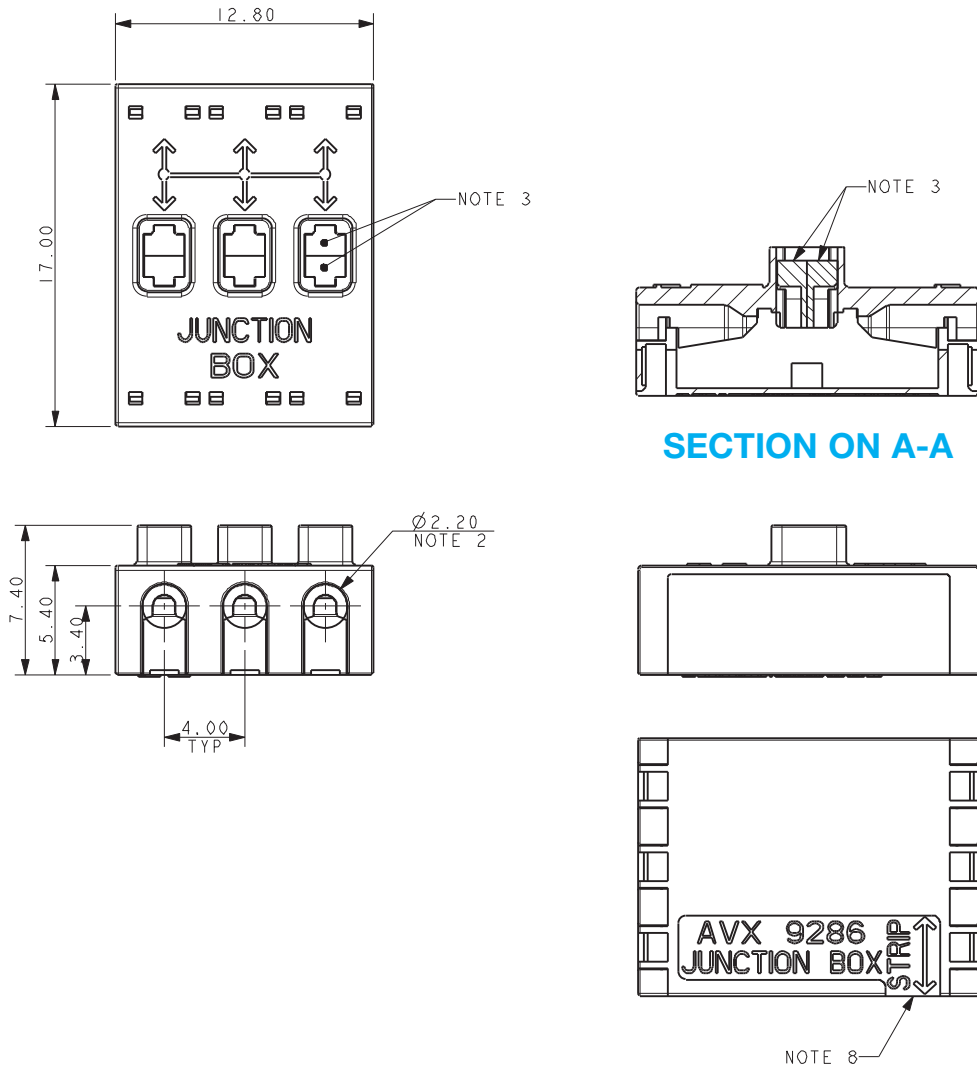
1. 4 WAY WIRE TO WIRE "POKE HOME" CONNECTOR, BUTTON OPERATED. ALL TERMINALS INTERCONNECTED.
2. WIRE SIZES 18-26 AWG, MAXIMUM INSULATION DIAMETER 2.10MM.
3. SPLIT BUTTON ALLOWS THE WIRES TO BE INSERTED/WITHDRAWN INDEPENDENTLY.
4. INSULATION MATERIAL: NYLON 46, GLASS FILLED, UL94 V-0. COLOR SEE PAGE 1.
5. CONTACT MATERIAL: TIN PLATED COPPER ALLOY.
6. FOR FULL SPECIFICATION REFER TO ELCO SPECIFICATION 201-01-132. FOR APPLICATION NOTES REFER TO ELCO SPECIFICATION 201-01-135.
7. GENERAL TOLERANCE ± 0.20 MM.
8. WIRE STRIP LENGTH GUIDE, SEE PAGE 5.
9. ADHESIVE STRIP FOR PANEL MOUNTING REFER TO PAGE 6.
10. FOR UL PRODUCT CODES UL REFERENCE E90723 (US AND CANADA).

Poke Home – Junction Box



Series 9286

18-26 AWG 6 WAY POKE HOME – JUNCTION BOX



PACKING DETAILS

Pack 400 pieces in a clear plastic bag.

NOTES:

1. 6 WAY WIRE TO WIRE "POKE HOME" CONNECTOR, BUTTON OPERATED. ALL TERMINALS INTERCONNECTED.
2. WIRE SIZES 18-26 AWG, MAXIMUM INSULATION DIAMETER 2.10MM.
3. SPLIT BUTTON ALLOWS THE WIRES TO BE INSERTED/WITHDRAWN INDEPENDENTLY.
4. INSULATION MATERIAL: NYLON 46, GLASS FILLED, UL94 V-0. COLOR SEE PAGE 1.
5. CONTACT MATERIAL: TIN PLATED COPPER ALLOY.
6. FOR FULL SPECIFICATION REFER TO ELCO SPECIFICATION 201-01-132. FOR APPLICATION NOTES REFER TO ELCO SPECIFICATION 201-01-135.
7. GENERAL TOLERANCE ± 0.20 MM.
8. WIRE STRIP LENGTH GUIDE, SEE PAGE 5.
9. ADHESIVE STRIP FOR PANEL MOUNTING REFER TO PAGE 6.
10. FOR UL PRODUCT CODES UL REFERENCE E90723 (US AND CANADA).

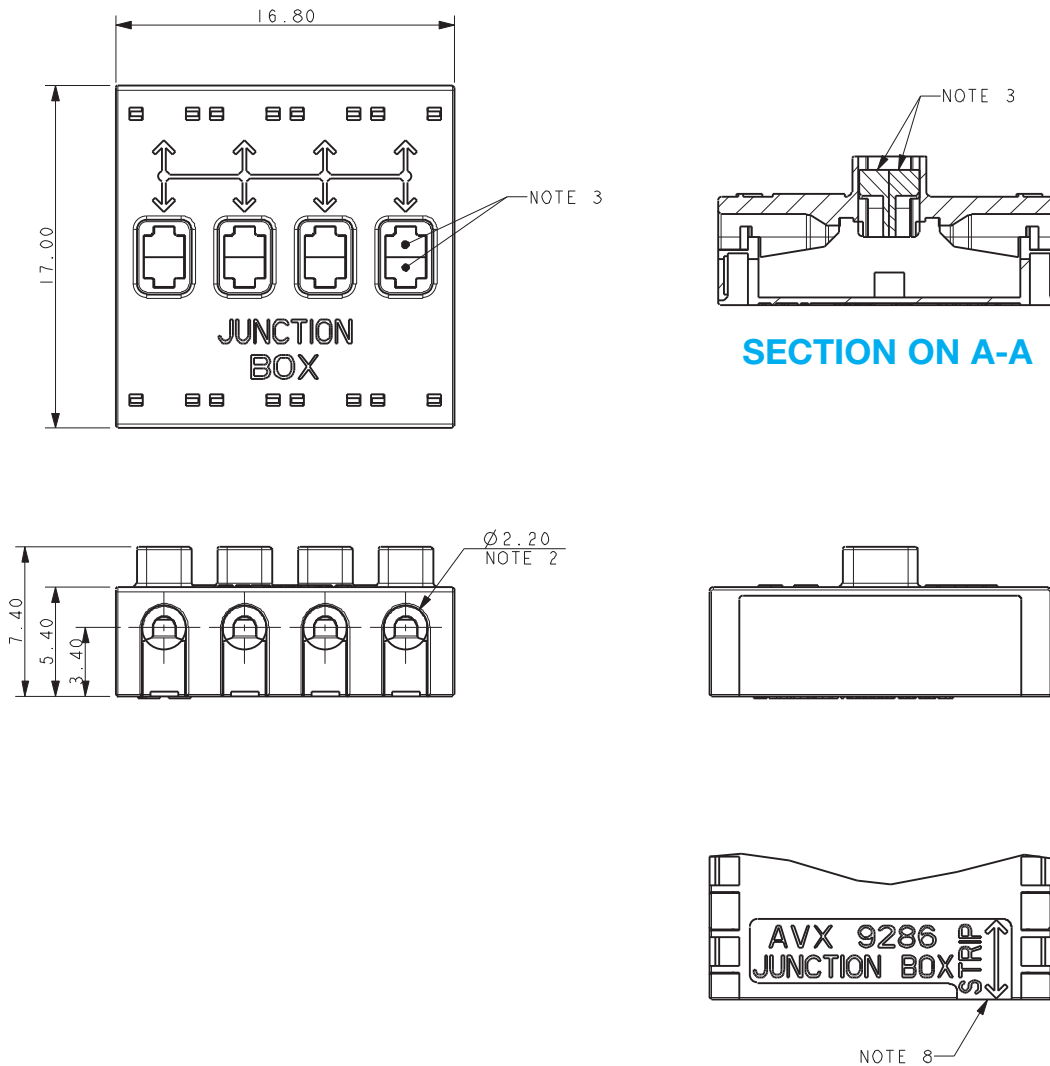


Poke Home – Junction Box



Series 9286

18-26 AWG 8 WAY POKE HOME – JUNCTION BOX



PACKING DETAILS

Pack 400 pieces in a clear plastic bag.

NOTES:

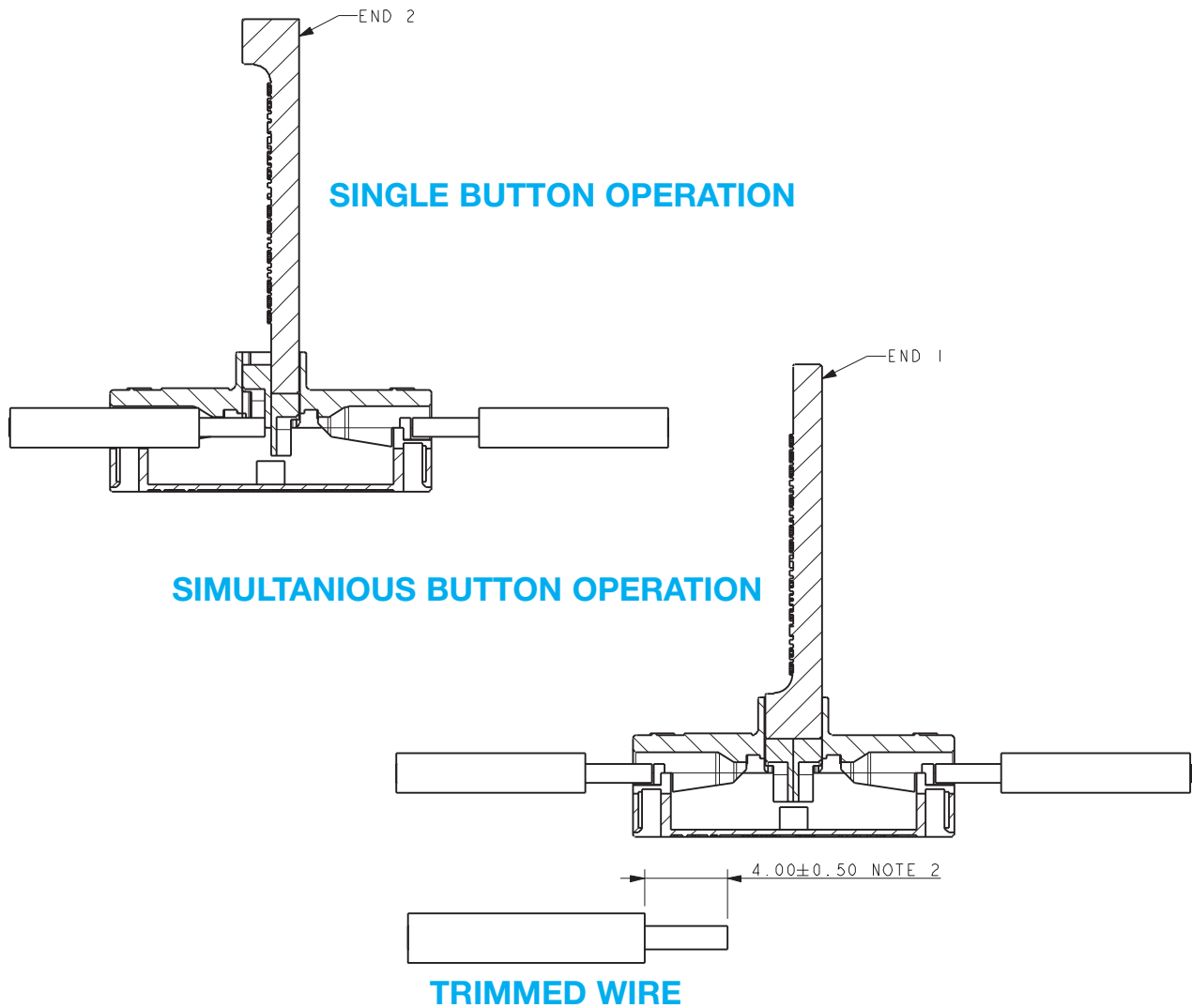
1. 8 WAY WIRE TO WIRE "POKE HOME" CONNECTOR, BUTTON OPERATED. ALL TERMINALS INTERCONNECTED.
2. WIRE SIZES 18-26 AWG, MAXIMUM INSULATION DIAMETER 2.10MM.
3. SPLIT BUTTON ALLOWS THE WIRES TO BE INSERTED/WITHDRAWN INDEPENDENTLY.
4. INSULATION MATERIAL: NYLON 46, GLASS FILLED, UL94 V-0. COLOR SEE PAGE 1.
5. CONTACT MATERIAL: TIN PLATED COPPER ALLOY.
6. FOR FULL SPECIFICATION REFER TO ELCO SPECIFICATION 201-01-132. FOR APPLICATION NOTES REFER TO ELCO SPECIFICATION 201-01-135.
7. GENERAL TOLERANCE ± 0.20 MM.
8. WIRE STRIP LENGTH GUIDE, SEE PAGE 5.
9. ADHESIVE STRIP FOR PANEL MOUNTING REFER TO PAGE 6.
10. FOR UL PRODUCT CODES UL REFERENCE E90723 (US AND CANADA).

Poke Home – Thru-Wire



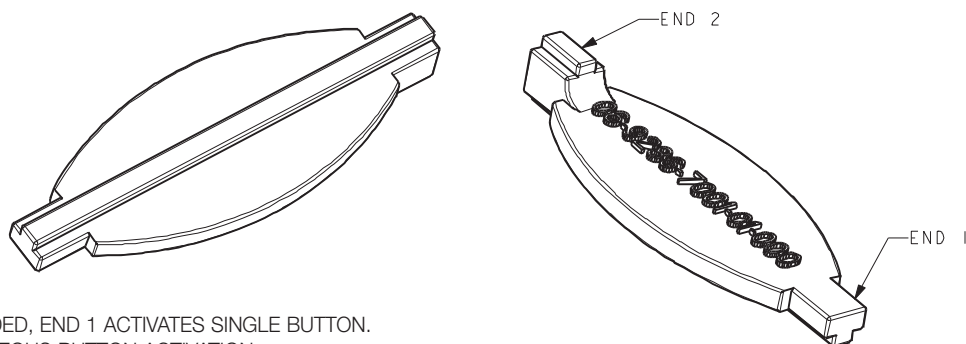
Series 9286

POKE HOME BUTTON ACTIVATION TOOL



9286 BUTTON ACTIVATION TOOL

06-9286-7001-01-000



NOTES:

1. TOOL IS DOUBLE ENDED, END 1 ACTIVATES SINGLE BUTTON.
END 2 FOR SIMULTANEOUS BUTTON ACTIVATION.
2. WIRE WHEN TRIMMED TO BE STRAIGHT WITH NO BURRS.
3. FOR FULL ASSEMBLY DETAILS REFER TO APPLICATION NOTES 201-01-135.
4. SUPPLIED IN PACKS OF 100 PIECES.



Poke Home – Thru-Wire

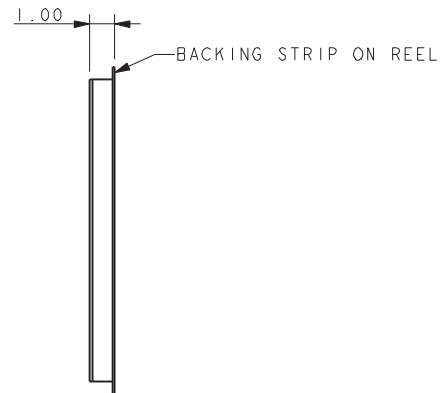
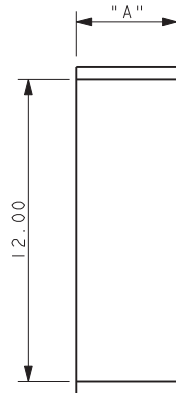
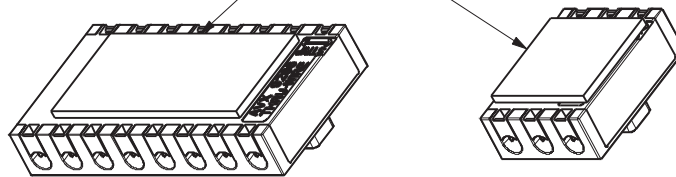


Series 9286

08-9286-400X-00-000 ADHESIVE MOUNTING TAPE

ACCESSORY NOT SUPPLIED WITH CONNECTORS

TAPE APPLIED TO CENTRE OF BASE



Part Number	Dimension "A"	Matching Connectors	
		00-9286-00X-021-X06 Thru Wire	00-9286-00X-121-X06 Junction Box
80-9286-4001-00-000	4.00	1 Way	N/A
80-9286-4002-00-000	8.00	2 Way	4 Way
80-9286-4003-00-000	12.00	3 and 4 Way	6 and 8 Way
80-9286-4006-00-000	24.00	6 and 8 Way	N/A

NOTES:

1. DOUBLE SIDED FOAM FILLED ADHESIVE TAPE.
2. WIDTH FOR 1 WAY, 2 WAY, 3 WAY AND 6 WAY CONNECTORS, FOR LENGTH SEE TABLE.
3. USED FOR ADHERE A 9286 CONNECTOR TO A FLAT SURFACE.
4. SOME SURFACES MAY REQUIRE THE USE OF A CLEANING SOLVENT TO ACHIEVE BEST RESULTS.
5. SUPPLIED CUT TO SIZE ON A REEL ON AN OVERSIZE BACKING STRIP PARTS 400 PER REEL.

Компания «Океан Электроники» предлагает заключение долгосрочных отношений при поставках импортных электронных компонентов на взаимовыгодных условиях!

Наши преимущества:

- Поставка оригинальных импортных электронных компонентов напрямую с производств Америки, Европы и Азии, а так же с крупнейших складов мира;
- Широкая линейка поставок активных и пассивных импортных электронных компонентов (более 30 млн. наименований);
- Поставка сложных, дефицитных, либо снятых с производства позиций;
- Оперативные сроки поставки под заказ (от 5 рабочих дней);
- Экспресс доставка в любую точку России;
- Помощь Конструкторского Отдела и консультации квалифицированных инженеров;
- Техническая поддержка проекта, помощь в подборе аналогов, поставка прототипов;
- Поставка электронных компонентов под контролем ВП;
- Система менеджмента качества сертифицирована по Международному стандарту ISO 9001;
- При необходимости вся продукция военного и аэрокосмического назначения проходит испытания и сертификацию в лаборатории (по согласованию с заказчиком);
- Поставка специализированных компонентов военного и аэрокосмического уровня качества (Xilinx, Altera, Analog Devices, Intersil, Interpoint, Microsemi, Actel, Aeroflex, Peregrine, VPT, Syfer, Eurofarad, Texas Instruments, MS Kennedy, Miteq, Cobham, E2V, MA-COM, Hittite, Mini-Circuits, General Dynamics и др.);

Компания «Океан Электроники» является официальным дистрибьютором и эксклюзивным представителем в России одного из крупнейших производителей разъемов военного и аэрокосмического назначения «JONHON», а так же официальным дистрибьютором и эксклюзивным представителем в России производителя высокотехнологичных и надежных решений для передачи СВЧ сигналов «FORSTAR».



JONHON

«JONHON» (основан в 1970 г.)

Разъемы специального, военного и аэрокосмического назначения:

(Применяются в военной, авиационной, аэрокосмической, морской, железнодорожной, горно- и нефтедобывающей отраслях промышленности)

«FORSTAR» (основан в 1998 г.)

ВЧ соединители, коаксиальные кабели, кабельные сборки и микроволновые компоненты:

(Применяются в телекоммуникациях гражданского и специального назначения, в средствах связи, РЛС, а так же военной, авиационной и аэрокосмической отраслях промышленности).



Телефон: 8 (812) 309-75-97 (многоканальный)

Факс: 8 (812) 320-03-32

Электронная почта: ocean@oceanchips.ru

Web: <http://oceanchips.ru/>

Адрес: 198099, г. Санкт-Петербург, ул. Калинина, д. 2, корп. 4, лит. А