

### General Description

The TQQ0303 is an exceptionally high performance BAW filter for the LTE Band 3 downlink. This filter is housed in a compact 3 x 3 mm package for base station applications.

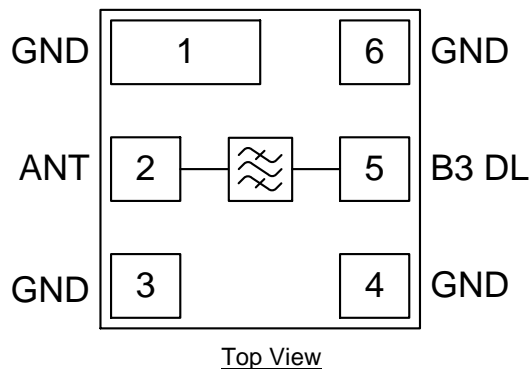
Low insertion loss, coupled with high attenuation makes this filter an ideal choice for downlink RF filtering needs.

The TQQ0303 is part of Qorvo's extensive portfolio of RF BAW and SAW filters.



6 Pin 3 x 3 mm leadless SMT Package

### Functional Block Diagram



### Product Features

- Usable Bandwidth 75 MHz at 1842.5 MHz
- Internally Match for 50 Ohm Operation
- Low Insertion Loss
- Small Size: 3.00 x 3.00 x 1.07 mm
- Surface Mount Device
- RoHS compliant, Pb-free
- High power handling of 1W

### Applications

- Base Station Infrastructure
- Repeaters
- General Purpose Wireless

### Pin Configuration

| Pin No.    | Label  |
|------------|--------|
| 1, 3, 4, 6 | Ground |
| 2          | ANT    |
| 5          | B3 DL  |

### Ordering Information

| Part No.    | Description                          |
|-------------|--------------------------------------|
| TQQ0303     | 2,500 pieces on a 7" reel (standard) |
| TQQ0303-PCB | Evaluation Board                     |

## Absolute Maximum Ratings

| Parameter                                | Rating        |
|--|---------------|
| Storage Temperature                      | -40 to +85 °C |
| Operation Temperature                    | -40 to +85 °C |
| RF Input Power <sup>(1)</sup> (Pin 2, 5) | +30 dBm       |

Notes:

1. Input Power: CW, at +55 °C for 10,000 hours.

## Recommended Operating Conditions

| Parameter         | Min | Typ | Max | Units |
|-------------------|-----|-----|-----|-------|
| T <sub>CASE</sub> | 0   | -   | +70 | °C    |

Electrical specifications are measured at specified test conditions.

## Electrical Specifications – B3 DL

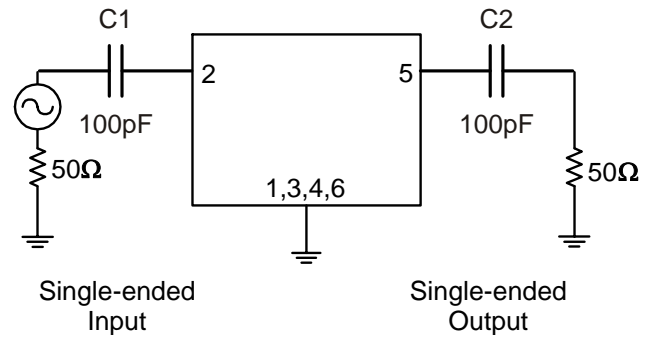
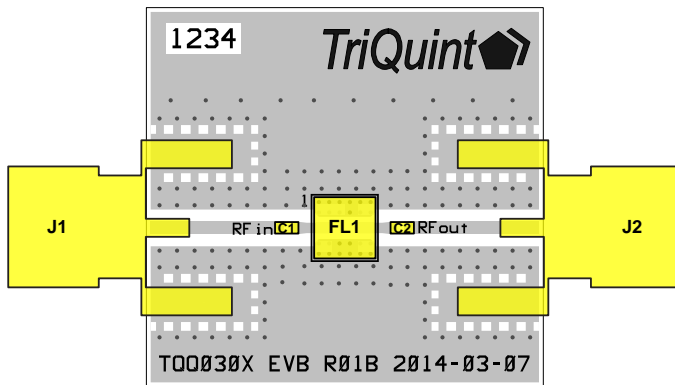
Operating Temperature Range: +0 to +70°C.

| Parameter                          | Conditions              | Min               | Typ    | Max  | Units |
|------------------------------------|-------------------------|-------------------|--------|------|-------|
| Center Frequency [fo]              |                         | -                 | 1842.5 | -    | MHz   |
| Insertion Loss                     | 1805 MHz – 1880 MHz     | -                 | 2.58   | 3.8  | dB    |
| Amplitude Variation <sup>(1)</sup> | 1805 MHz – 1880 MHz     | -                 | 1.6    | -    | dB    |
| Lower Band Edge <sup>(2)</sup>     | Insertion Loss = -15 dB | 1795              | 1796.3 | -    | MHz   |
| Upper Band Edge <sup>(2)</sup>     | Insertion Loss = -15 dB |                   | 1894.6 | 1900 | MHz   |
| Absolute Attenuation               | 500 MHz – 1200 MHz      | 20                | 23     | -    | dB    |
|                                    | 1300 MHz – 1770 MHz     | 22                | 25     | -    | dB    |
|                                    | 1785 MHz – 1795 MHz     | 15 <sup>(2)</sup> | 23.7   | -    | dB    |
|                                    | 1900 MHz – 1925 MHz     | 15 <sup>(2)</sup> | 30     | -    | dB    |
| Input Return Loss                  | 1805 MHz – 1880 MHz     | 8                 | 9.1    | -    | dB    |
| Output Return Loss                 | 1805 MHz – 1880 MHz     | 8                 | 10.9   | -    | dB    |
| Load/Source Impedance              |                         | -                 | 50     | -    | Ω     |

Notes:

1. Describe the total variation over the defined frequency range
2. At +25°C only.

## TQQ0303-PCB Evaluation Board



## Bill of Material – TQQ0303-PCB

| Reference Des. | Value  | Description                        | Manuf.  | Part Number  |
|----------------|--------|------------------------------------|---------|--------------|
| n/a            | n/a    | Printed Circuit Board              | Qorvo   | 1124609      |
| U1             | n/a    | Band 3 Downlink BAW Filter         | Qorvo   | TQQ0303      |
| C1, C2         | 100 pF | Cap., Chip, 0402, 5%, 50V, NPO/COG | various | various      |
| J1, J2         | n/a    | SMA Edge Connector                 | Johnson | 142-0701-851 |

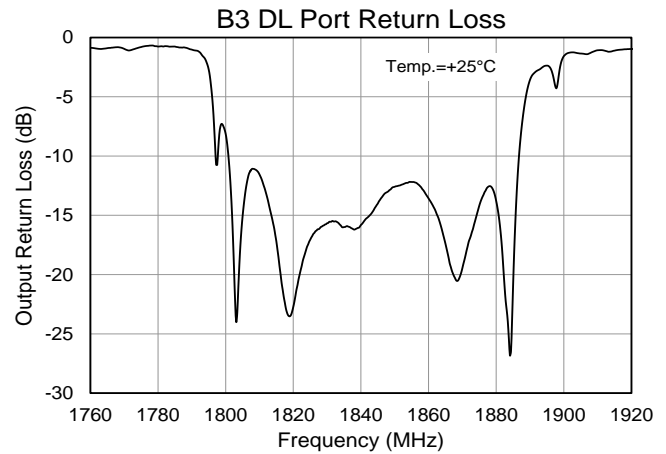
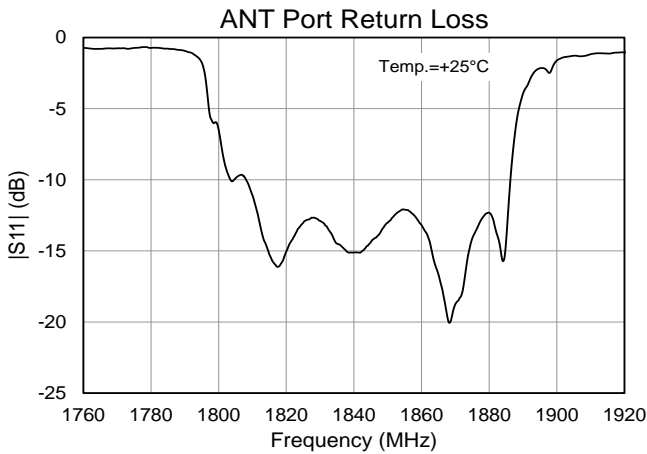
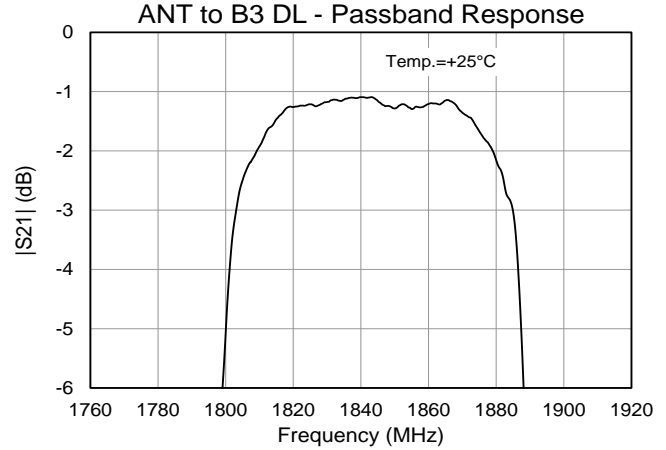
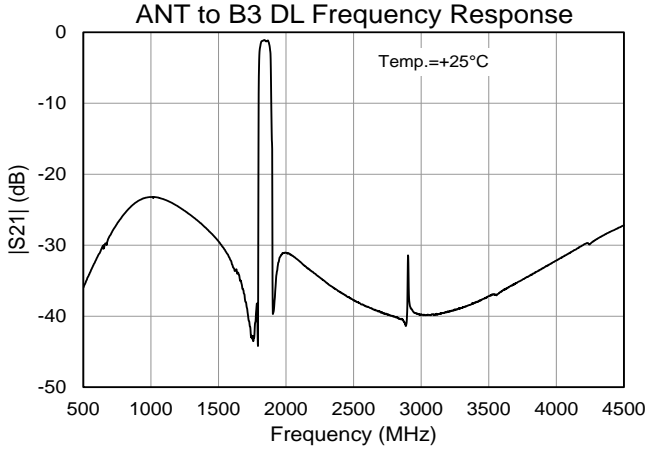
## Evaluation Board PCB Information

Top, middle & bottom layers: 1 oz copper

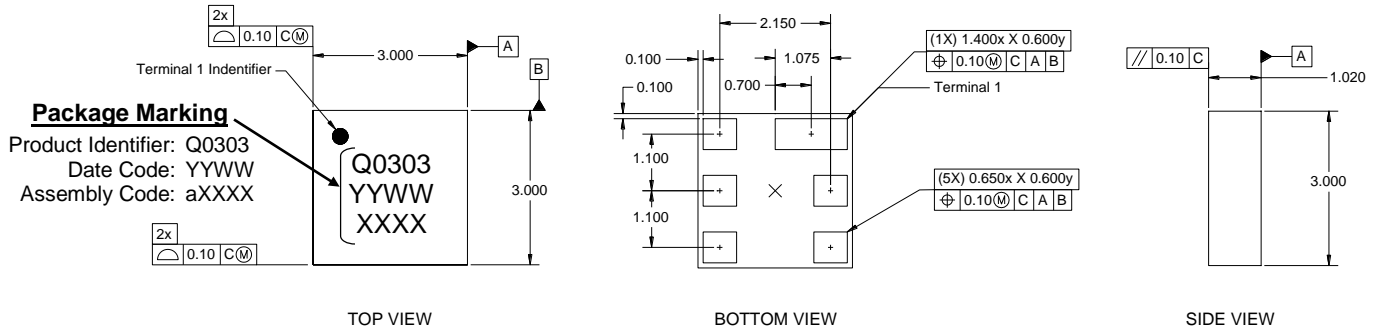
Substrates: FR4 dielectric, 0.0139", 0.028", 0.0139" thick

Performance Plots – Band 3 DL

Test conditions unless otherwise noted: Temp= +25°C



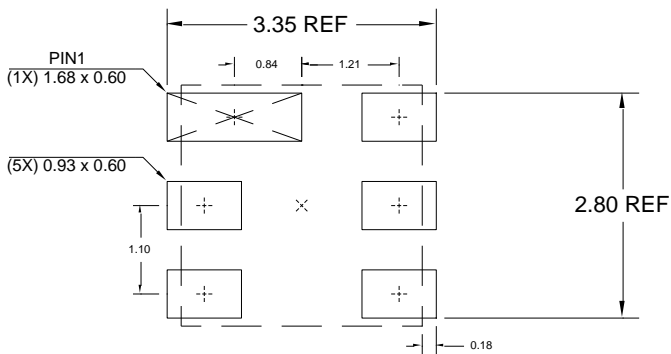
## Package Marking and Dimensions



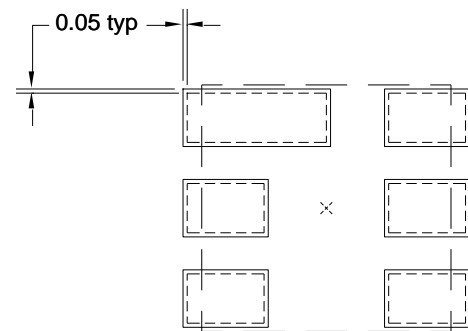
**Notes:**

1. All dimensions are in millimeters. Angles are in degrees.
2. Dimension and tolerance formats conform to ASME Y14.4M-1994.
3. The terminal #1 identifier and terminal numbering conform to JESD 95-1 SPP-012.

## PCB Mounting Pattern



Top view recommended land pattern metallization.



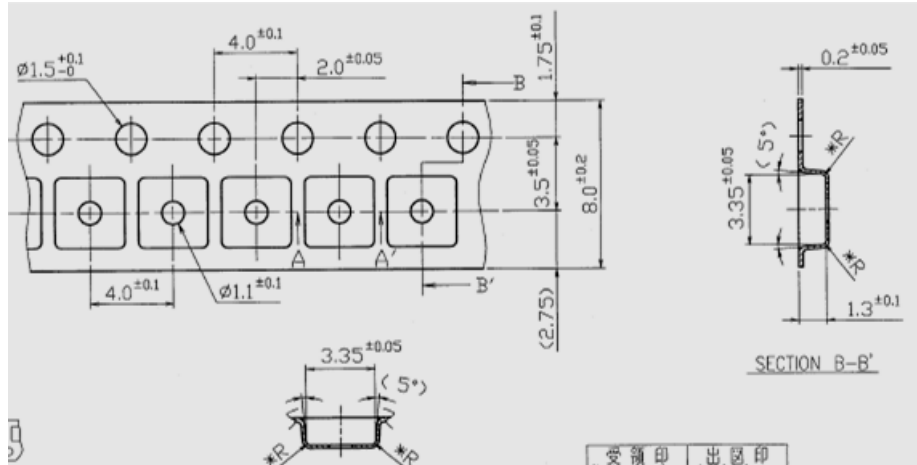
Top view recommended land pattern stencil aperture.

**Notes:**

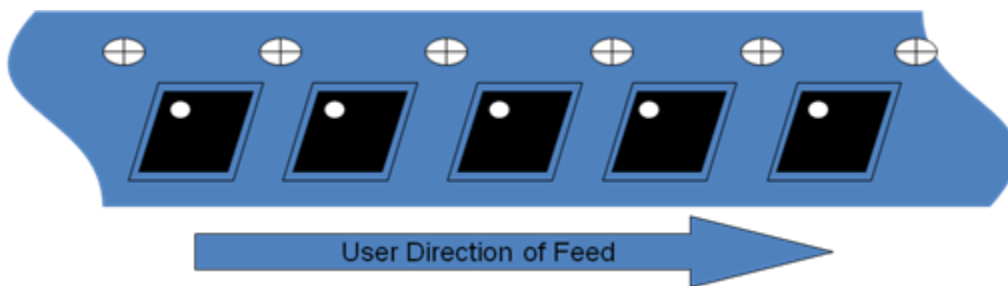
1. All dimensions are in millimeters. Angles are in degrees.
2. Use 1 oz. copper minimum for top and bottom layer metal.

**Tape and Reel Information – Carrier and Cover Tape Dimensions**

Tape and reel specifications for this part are also available on the Qorvo website.  
 Standard T/R size = 2500 pieces on a 7” reel.

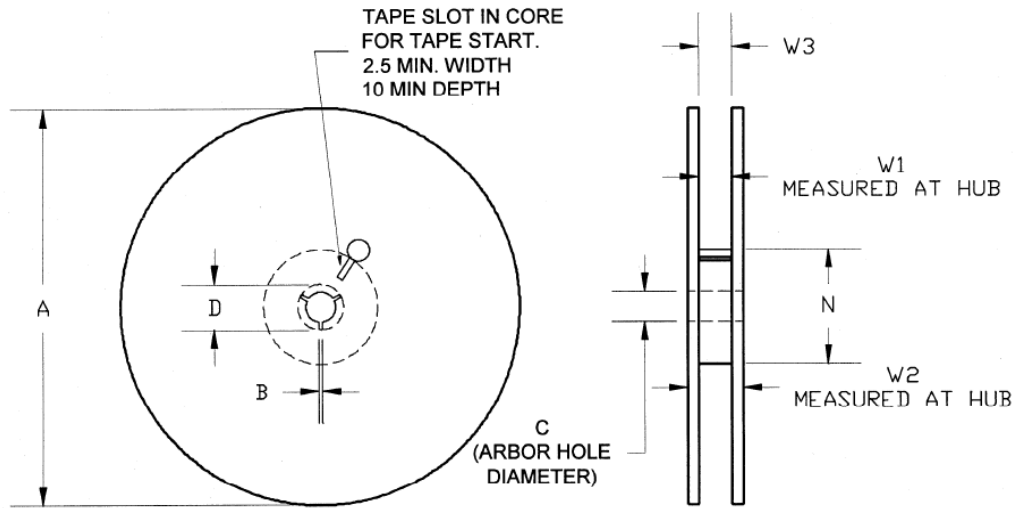


| Feature             | Measure                                  | Symbol | Size (in) | Size (mm) |
|---------------------|--|--------|-----------|-----------|
| Cavity              | Length                                   | A0     | 0.132     | 3.35      |
|                     | Width                                    | B0     | 0.132     | 3.35      |
|                     | Depth                                    | K0     | 0.051     | 1.30      |
|                     | Pitch                                    | P1     | 0.157     | 4.00      |
| Centerline Distance | Cavity to Perforation - Length Direction | P2     | 0.079     | 2.00      |
|                     | Cavity to Perforation - Width Direction  | F      | 0.138     | 3.50      |
| Cover Tape          | Width                                    | C      | 0.213     | 5.40      |
| Carrier Tape        | Width                                    | W      | 0.315     | 8.00      |



**Tape and Reel Information – Reel Dimensions**

Tape and reel specifications for this part are also available on the Qorvo website.  
 Standard T/R size = 2500 pieces on a 7” reel.



| Feature | Measure              | Symbol | Size (in) | Size (mm) |
|---------|----------------------|--------|-----------|-----------|
| Flange  | Diameter             | A      | 6.969     | 177.0     |
|         | Thickness            | W2     | 0.559     | 14.2      |
|         | Space Between Flange | W1     | 0.346     | 8.8       |
| Hub     | Outer Diameter       | N      | 2.283     | 58.0      |
|         | Arbor Hole Diameter  | C      | 0.512     | 13.0      |
|         | Key Slit Width       | B      | 0.079     | 2.0       |
|         | Key Slit Diameter    | D      | 0.787     | 20.0      |

## Handling Precautions

| Parameter                        | Rating   | Standard                  |
|----------------------------------|----------|---------------------------|
| ESD – Human Body Model (HBM)     | Class 1B | ANSI / ESD / JEDEC JS-001 |
| ESD – Charged Device Model (CDM) | Class B  | ANSI / ESD / JEDEC JS-002 |
| MSL – Moisture Sensitivity Level | Level 3  | IPC/JEDEC J-STD-020       |



Caution!  
ESD-Sensitive Device

## Solderability

Compatible with lead-free (260°C max. reflow temp.) soldering process.  
Solder profiles available upon request.

Contact plating: Ni Au

## RoHS Compliance

This part is compliant with 2011/65/EU RoHS directive (Restrictions on the Use of Certain Hazardous Substances in Electrical and Electronic Equipment) as amended by Directive 2015/863/EU.

This product also has the following attributes:

- Lead Free
- Halogen Free (Chlorine, Bromine)
- Antimony Free
- TBBP-A (C<sub>15</sub>H<sub>12</sub>Br<sub>4</sub>O<sub>2</sub>) Free
- PFOS Free
- SVHC Free



## Contact Information

For the latest specifications, additional product information, worldwide sales and distribution locations:

**Web:** [www.qorvo.com](http://www.qorvo.com)

**Tel:** 1-844-890-8163

**Email:** [customer.support@qorvo.com](mailto:customer.support@qorvo.com)

For technical questions and application information: **Email:** [appsupport@qorvo.com](mailto:appsupport@qorvo.com)

## Important Notice

The information contained herein is believed to be reliable; however, Qorvo makes no warranties regarding the information contained herein and assumes no responsibility or liability whatsoever for the use of the information contained herein. All information contained herein is subject to change without notice. Customers should obtain and verify the latest relevant information before placing orders for Qorvo products. The information contained herein or any use of such information does not grant, explicitly or implicitly, to any party any patent rights, licenses, or any other intellectual property rights, whether with regard to such information itself or anything described by such information. **THIS INFORMATION DOES NOT CONSTITUTE A WARRANTY WITH RESPECT TO THE PRODUCTS DESCRIBED HEREIN, AND QORVO HEREBY DISCLAIMS ANY AND ALL WARRANTIES WITH RESPECT TO SUCH PRODUCTS WHETHER EXPRESS OR IMPLIED BY LAW, COURSE OF DEALING, COURSE OF PERFORMANCE, USAGE OF TRADE OR OTHERWISE, INCLUDING THE IMPLIED WARRANTIES OF MERCHANTABILITY AND FITNESS FOR A PARTICULAR PURPOSE.**

Without limiting the generality of the foregoing, Qorvo products are not warranted or authorized for use as critical components in medical, life-saving, or life-sustaining applications, or other applications where a failure would reasonably be expected to cause severe personal injury or death.

Copyright 2017 © Qorvo, Inc. | Qorvo is a registered trademark of Qorvo, Inc.



Компания «Океан Электроники» предлагает заключение долгосрочных отношений при поставках импортных электронных компонентов на взаимовыгодных условиях!

Наши преимущества:

- Поставка оригинальных импортных электронных компонентов напрямую с производств Америки, Европы и Азии, а так же с крупнейших складов мира;
- Широкая линейка поставок активных и пассивных импортных электронных компонентов (более 30 млн. наименований);
- Поставка сложных, дефицитных, либо снятых с производства позиций;
- Оперативные сроки поставки под заказ (от 5 рабочих дней);
- Экспресс доставка в любую точку России;
- Помощь Конструкторского Отдела и консультации квалифицированных инженеров;
- Техническая поддержка проекта, помощь в подборе аналогов, поставка прототипов;
- Поставка электронных компонентов под контролем ВП;
- Система менеджмента качества сертифицирована по Международному стандарту ISO 9001;
- При необходимости вся продукция военного и аэрокосмического назначения проходит испытания и сертификацию в лаборатории (по согласованию с заказчиком);
- Поставка специализированных компонентов военного и аэрокосмического уровня качества (Xilinx, Altera, Analog Devices, Intersil, Interpoint, Microsemi, Actel, Aeroflex, Peregrine, VPT, Syfer, Eurofarad, Texas Instruments, MS Kennedy, Miteq, Cobham, E2V, MA-COM, Hittite, Mini-Circuits, General Dynamics и др.);

Компания «Океан Электроники» является официальным дистрибьютором и эксклюзивным представителем в России одного из крупнейших производителей разъемов военного и аэрокосмического назначения «JONHON», а так же официальным дистрибьютором и эксклюзивным представителем в России производителя высокотехнологичных и надежных решений для передачи СВЧ сигналов «FORSTAR».



## JONHON

«JONHON» (основан в 1970 г.)

Разъемы специального, военного и аэрокосмического назначения:

(Применяются в военной, авиационной, аэрокосмической, морской, железнодорожной, горно- и нефтедобывающей отраслях промышленности)

«FORSTAR» (основан в 1998 г.)

ВЧ соединители, коаксиальные кабели,  
кабельные сборки и микроволновые компоненты:

(Применяются в телекоммуникациях гражданского и специального назначения, в средствах связи, РЛС, а так же военной, авиационной и аэрокосмической отраслях промышленности).



Телефон: 8 (812) 309-75-97 (многоканальный)

Факс: 8 (812) 320-03-32

Электронная почта: [ocean@oceanchips.ru](mailto:ocean@oceanchips.ru)

Web: <http://oceanchips.ru/>

Адрес: 198099, г. Санкт-Петербург, ул. Калинина, д. 2, корп. 4, лит. А