

Ordering a market-ready enclosure® is made fast and affordable with our complete in-house capabilities. New Age provides machined openings to fit your PCB, pad printing for your graphics, custom enclosures, custom colors, final assembly, testing and fulfillment services to save you additional time and money. Ask your representative for a free quote today 805-595-1310.

Fast and Affordable Customization

**CNC Modifications
Pad Printing
Colored Resins
EMI/RF Shielding
Custom Enclosure
Assembly & Testing**



ISO quality
off-the-shelf
to market-ready®

NEW AGE ENCLOSURES

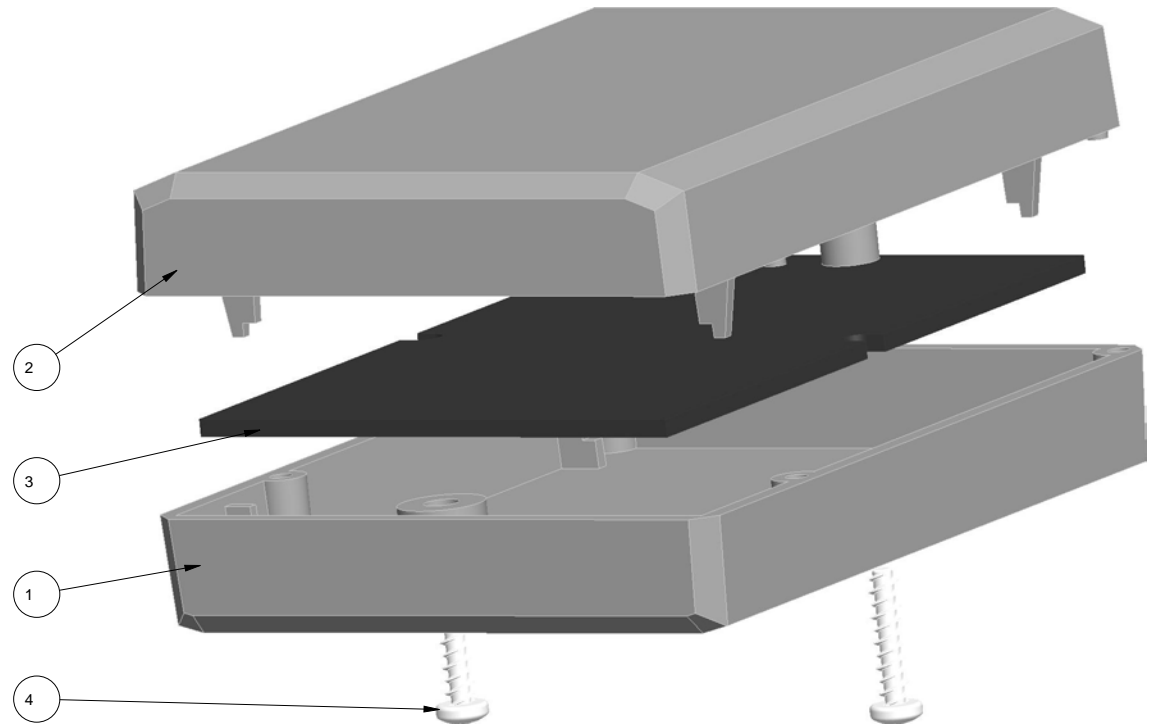
www.NewAgeEnclosures.com

4330 Santa Fe Road • San Luis Obispo, CA 93401 • T 805.595.1310 • F 805.595.1024

NOTES: UNLESS OTHERWISE SPECIFIED

1. CORNERS DRAWN SHARP TO BE R.005 MAXIMUM.
2. EXTERIOR SURFACE TEXTURE TO BE LIGHT EDM FINISH. EQUIVELANT TO MT-11010.
3. INTERIOR SURFACE TEXTURE TO BE: NONE.
4. ALL INSIDE RADII .010R. ALL OUTSIDE RADII .020R MAX, UNLESS OTHERWISE SPECIFIED.
5. ALL EXTERNAL DIMENSIONS AFFECTED BY THE DRAFT APPLY AT THE LARGE END OF THE FEATURE, AND ALL INTERNAL FEATURES AFFECTED BY THE DRAFT APPLY AT THE SMALL END OF THE FEATURE UNLESS OTHERWISE SPECIFIED.
6. 1 DEGREE DRAFT IN THE DIRECTION OF PULL IS PERMISSIBLE UNLESS OTHERWISE SPECIFIED.
7. THIS ENCLOSURE IS A PRESS FIT ASSEMBLY. FOR PERMANENT CLOSURE: A DROP OF ADHESIVE OR ULTRASONIC WELDING IS REQUIRED.
8. MATERIAL / COLOR: ABS PLASTIC IS STANDARD IN BLACK OR WHITE. CUSTOM MATERIALS AND COLORS ARE AVAILABLE UPON REQUEST FOR QUOTE.
9. PCB SIZES ARE RECOMMENDATIONS ONLY. FINAL SIZES AND VERIFICATION OF IT'S FIT ARE THE SOLE RESPONSIBILITY OF OEM.

| R E V I S I O N | | | | | |
|-----------------|----------|--------|--------------------------------|-----------|----------|
| REV. | DRAWN BY | ECO No | DESCRIPTION | DATE | APPROVED |
| A | M BOYER | DR XXX | PRELIMINARY RELEASE | 03-Oct-09 | D.C. |
| B | M BOYER | N/A | CHANGE EXTERIOR | 24-Oct-09 | D.C. |
| C | M BOYER | N/A | RECESS AND CHAMFER ADJUSTMENTS | 27-Oct-09 | D.C. |
| D | M BOYER | N/A | REMOVE LABEL RECESS | 30-Oct-09 | D.C. |
| 1.0 | M BOYER | N/A | UPDATE TO AS-BUILT AND RELEASE | 26-Mar-10 | D.C. |
| 2.0 | M BOYER | 2510 | ADJUST POST HEIGHT | 07-Jul-10 | |



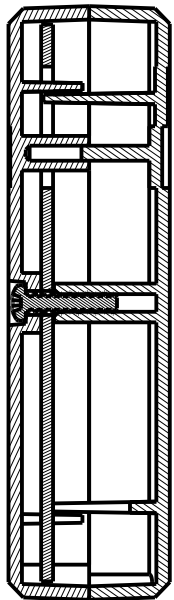
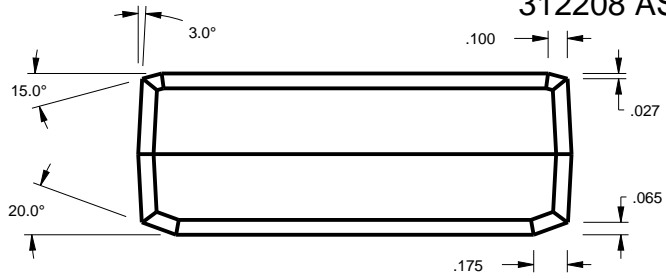
SCALE 1.500

| ITEM | FILE NAME | DESCRIPTION | MATERIAL | COLOR | QTY. |
|------|--------------------|--------------------------|----------------|-------------------|------|
| 4 | SCREW_HILO-NO4X500 | #4 HiLo x .500" SCREW | #4 HiLo x 1/2" | ZINK PLATED | 2 |
| 3 | 312208_PCB | 312208 PCB - REFERENCE | .062" THICK | CUSTOMER SUPPLIED | 1 |
| 2 | 312208_MALE | 312208 MALE - STANDARD | ABS | BLACK-WHITE | 1 |
| 1 | 312208_FEMALE | 312208 FEMALE - STANDARD | ABS | BLACK-WHITE | 1 |

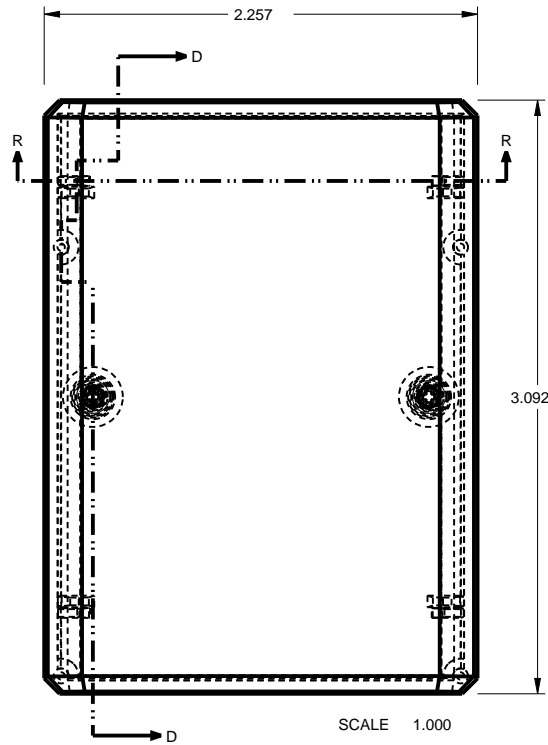
BILL OF MATERIALS

| | | | | | |
|--|-----------|---|------|--|---------|
| <p>THIRD ANGLE PROJECTION</p> <p>DO NOT SCALE DRAWING</p> | | <p>TOLERANCES: UNLESS OTHERWISE SPECIFIED DIMENSIONS ARE IN U.S. INCHES:</p> <p>X.XX = .015 X.XXXX = .001 X.XXX = .010 X.X° = 1°</p> | | <p>NEW AGE ENCLOSURES</p> <p>4330 Santa Fe Road San Luis Obispo, CA. 93401 ph. (805) 595-1310 fax (805) 595-1024 www.newageenclosures.com</p> | |
| <p>NOTICE: THE INFORMATION AND DATA CONTAINED HEREIN IS CONSIDERED PROPRIETARY TO ALLTEC INTEGRATED MFG INC & SHALL REMAIN THE EXCLUSIVE PROPERTY OF ALLTEC INTEGRATED MFG INC THE HOLDER WILL ASSUME CUSTODY AND CONTROL THAT THIS DOCUMENT WILL NOT BE COPIED, REPRODUCED, OR DISCLOSED WITHOUT THE EXPRESS WRITTEN CONSENT OF ALLTEC INTEGRATED MFG INC POSSESSION OF THIS DOCUMENT DOES NOT CONSTITUTE A GRANT TO MANUFACTURE ANY ITEMS.</p> <p>© 2010</p> | | <p>Customer's Part No: 312208</p> | | <p>STANDARD - PROJECT BOX SXX-312208 ASSEMBLY</p> | |
| APPROVAL | BY | DATE | SIZE | DRAWING NAME | SHEET |
| CHECK | | | A | 312208_R2_0 | 1 OF 6 |
| ENG. | | | | | REV.DOC |
| SCALE | | | | | 2.0 |
| DRAWN BY | 03-Oct-09 | | | | |
| M BOYER | | | | | |

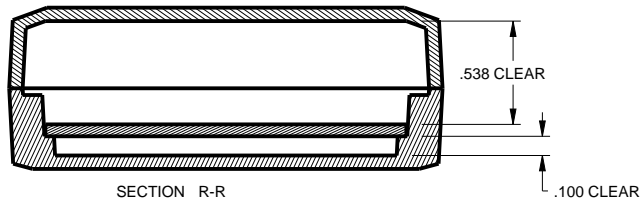
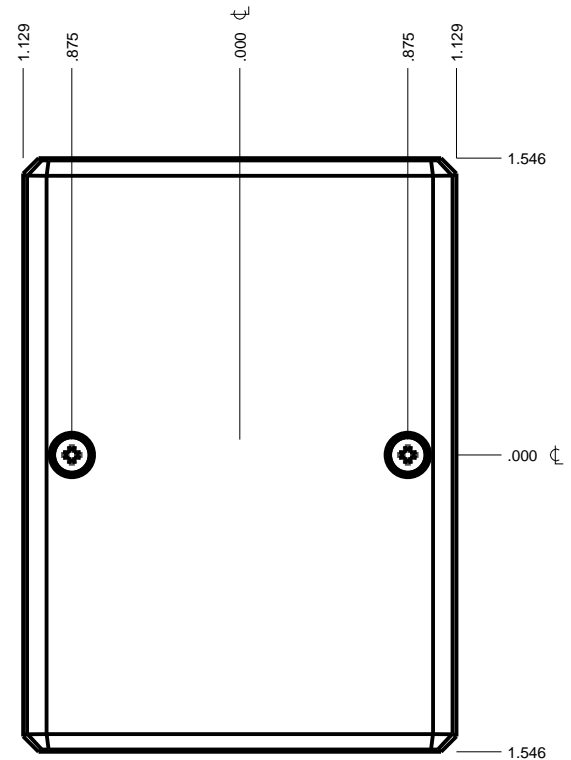
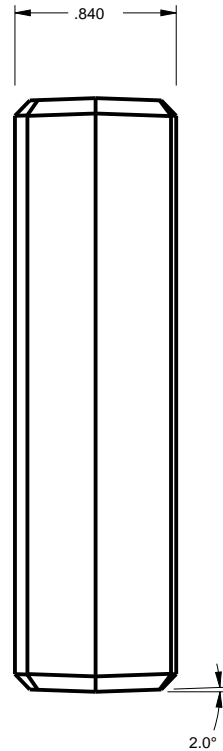
312208 ASSEMBLY



SECTION D-D



SCALE 1.000



SECTION R-R

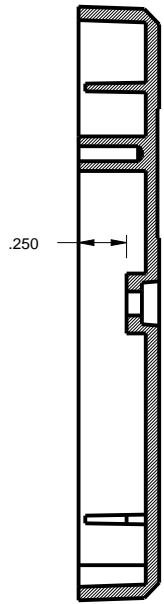
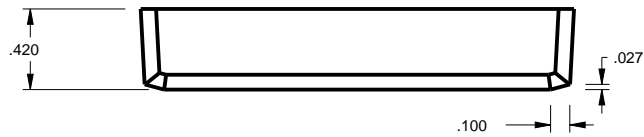
| | |
|--|---------------|
| TOLERANCES: UNLESS OTHERWISE SPECIFIED DIMENSIONS ARE IN U.S. INCHES: | |
| X.XX = .015 | X.XXXX = .001 |
| X.XXX = .010 | X.X° = 1° |
| NEW AGE ENCLOSURES | |
| Customer's Part No: 312208 | |
| APPROVAL | BY DATE |
| CHECK | |
| ENG. | |
| SCALE | |
| DRAWN BY | 03-Oct-09 |
| M BOYER | |

NEW AGE ENCLOSURES
 4330 Santa Fe Road San Luis Obispo, CA. 93401
 ph. (805) 595-1310 fax (805) 595-1024
www.newageenclosures.com

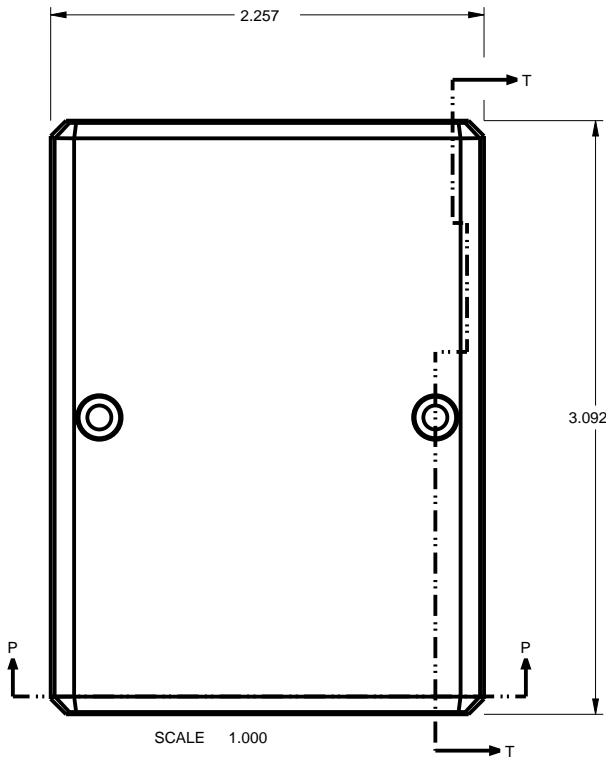
**STANDARD - PROJECT BOX
 SXX-312208 ASSEMBLY**

| | | | |
|------|--------------|--------|---------|
| SIZE | DRAWING NAME | SHEET | REV.DOC |
| A | 312208_R2_0 | 2 OF 6 | 2.0 |

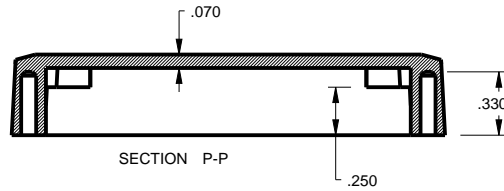
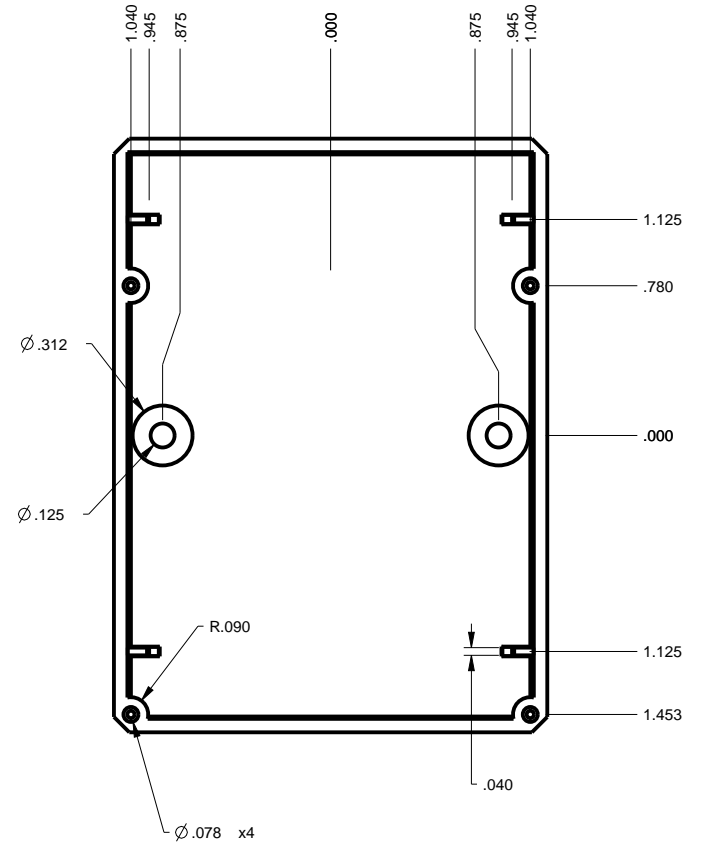
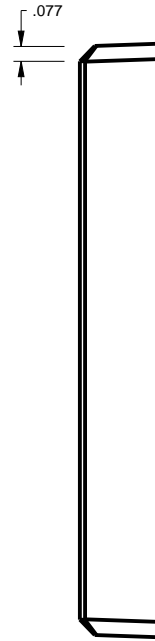
312208 FEMALE



SECTION T-T



SCALE 1.000



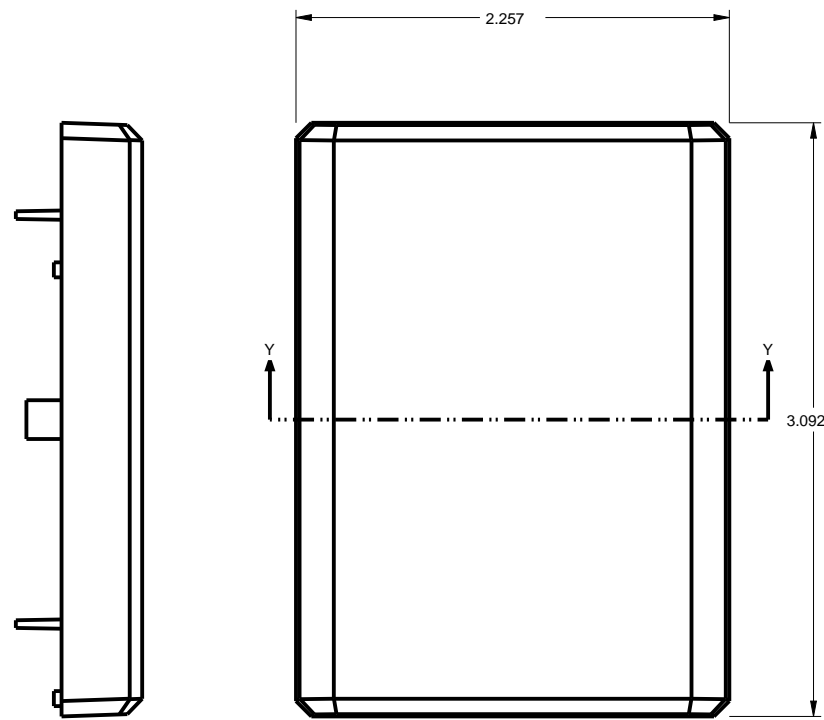
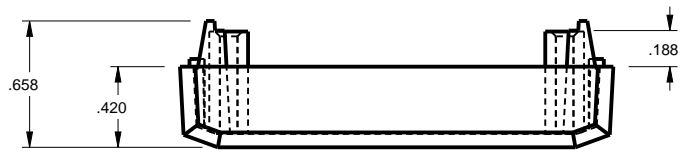
SECTION P-P

| | |
|--|---------------|
| TOLERANCES: UNLESS OTHERWISE SPECIFIED DIMENSIONS ARE IN U.S. INCHES: | |
| X.XX = .015 | X.XXXX = .001 |
| X.XXX = .010 | X.X° = 1° |
| NEW AGE ENCLOSURES | |
| Customer's Part No: 312208 | |
| APPROVAL | BY DATE |
| CHECK | |
| ENG. | |
| SCALE | |
| DRAWN BY | 03-Oct-09 |
| M BOYER | |

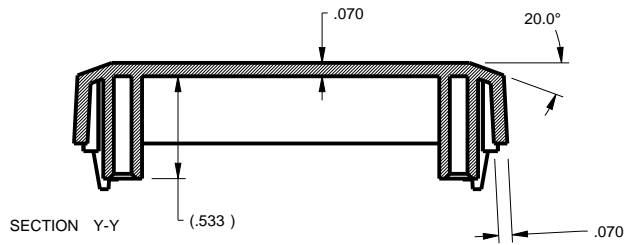
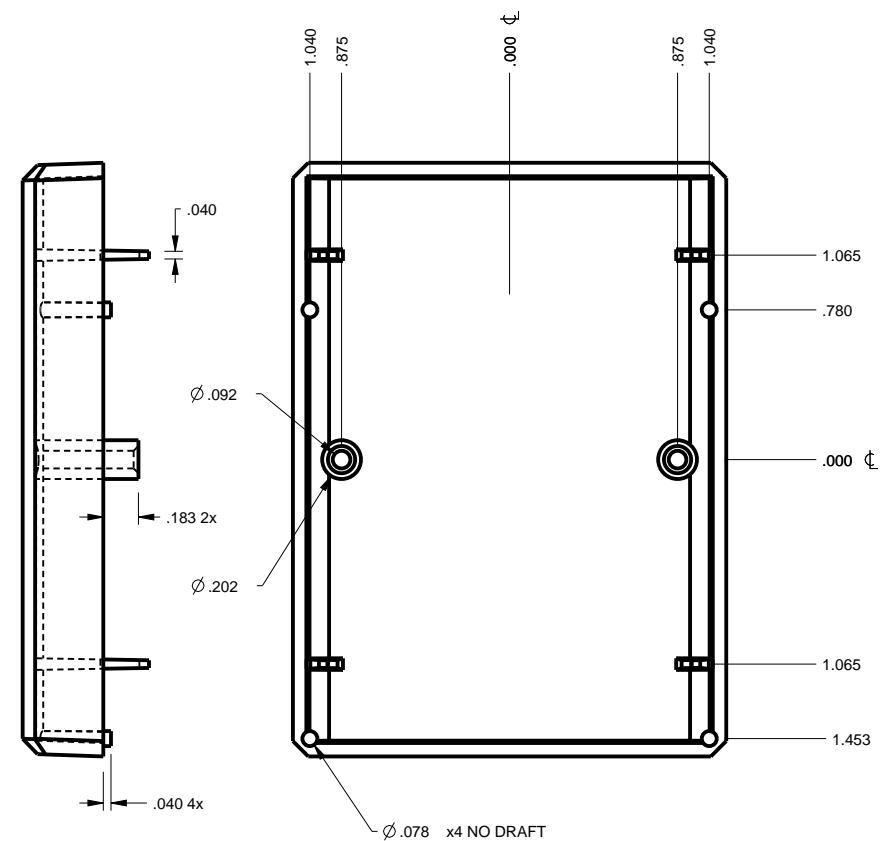
NEW AGE ENCLOSURES
 4330 Santa Fe Road San Luis Obispo, CA. 93401
 ph. (805) 595-1310 fax (805) 595-1024
www.newageenclosures.com

| | |
|---|--------------|
| STANDARD - PROJECT BOX SXX-312208 ASSEMBLY | |
| SIZE | DRAWING NAME |
| A | 312208_R2_0 |
| SHEET | REV.DOC |
| 3 OF 6 | 2.0 |

312208 MALE



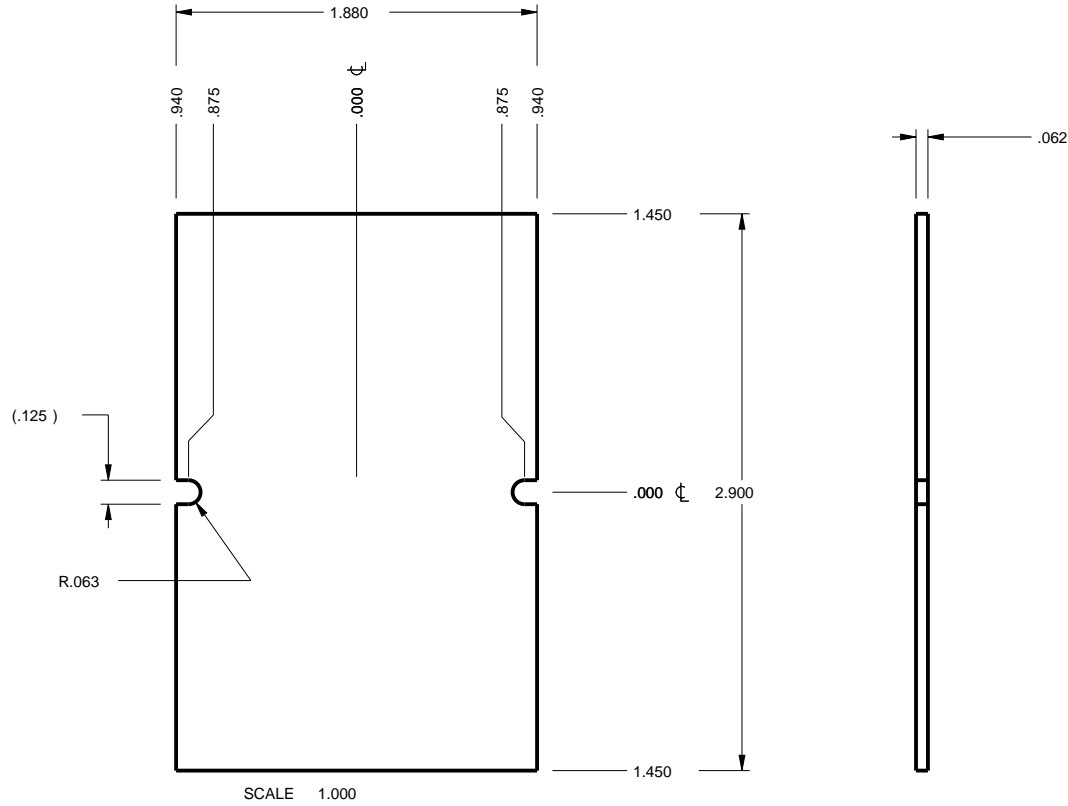
SCALE 1.000



| | | | |
|---|-----------|---|--------------|
| <p>TOLERANCES: UNLESS OTHERWISE SPECIFIED DIMENSIONS ARE IN U.S. INCHES: X.XX = .015 X.XXXX = .001 X.XXX = .010 X.X° = 1°</p> | | <p>NEW AGE ENCLOSURES 4330 Santa Fe Road San Luis Obispo, CA. 93401 ph. (805) 595-1310 fax (805) 595-1024 www.newageenclosures.com</p> | |
| <p>Customer's Part No: 312208</p> | | <p>STANDARD - PROJECT BOX SXX-312208 ASSEMBLY</p> | |
| APPROVAL | BY | DATE | SIZE |
| CHECK | | | DRAWING NAME |
| ENG. | | | SHEET |
| SCALE | | | REV.DOC |
| DRAWN BY | 03-Oct-09 | | 4 OF 6 |
| M BOYER | | | 2.0 |

312208 PCB

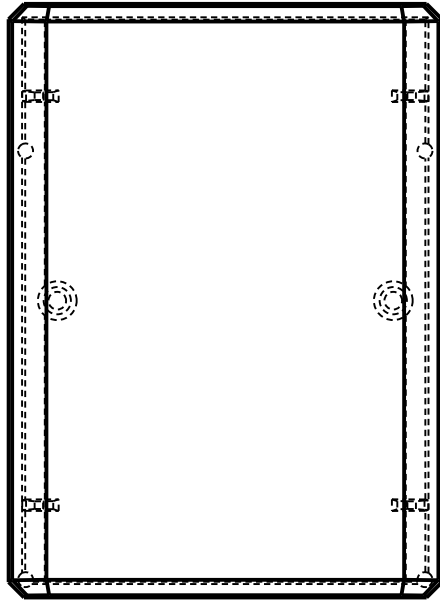
PCB SIZES ARE RECOMMENDATIONS ONLY. FINAL SIZES AND VERIFICATION OF IT'S FIT ARE THE SOLE RESPONSIBILITY OF THE OEM.



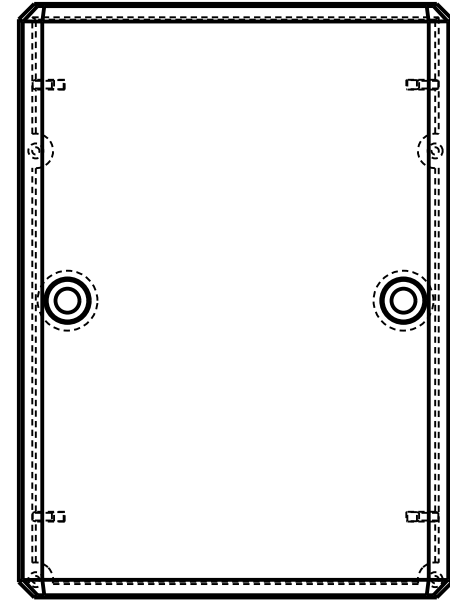
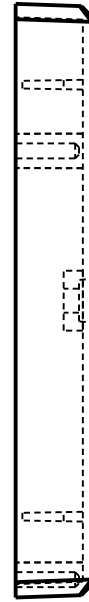
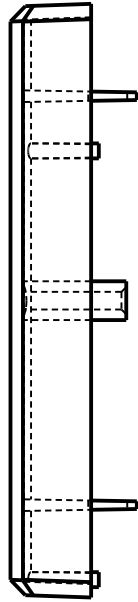
| | | | |
|---|---------|---|---|
| TOLERANCES: UNLESS OTHERWISE SPECIFIED DIMENSIONS ARE IN U.S. INCHES: X.XX = .015 X.XXXX = .001 X.XXX = .010 X.X° = 1° | | NEW AGE ENCLOSURES 4330 Santa Fe Road San Luis Obispo, CA. 93401 ph. (805) 595-1310 fax (805) 595-1024 www.newageenclosures.com | |
| Customer's Part No: 312208 | | | |
| APPROVAL | BY | DATE | STANDARD - PROJECT BOX SXX-312208 ASSEMBLY |
| CHECK | | | |
| ENG. | | | |
| SCALE | | | |
| DRAWN BY | M BOYER | 03-Oct-09 | SIZE A DRAWING NAME 312208_R2_0 SHEET 5 OF 6 REV.DOC 2.0 |

2nd OPERATION DETAILS

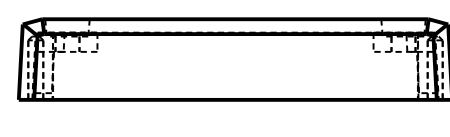
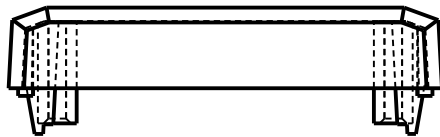
NEW AGE ENCLOSURES DELIVERS YOUR ENCLOSURE MARKET-READY WITH IN-HOUSE
CNC MACHINING, PAD PRINTING, ASSEMBLY, AND FULFILLMENT.
ALL SURFACES AND AREAS ARE AVAILABLE FOR CNC ALTERATION BY NEW AGE ENCLOSURES
CALL (805) 595-1310 FOR PRICING AND SCHEDULE.
THE INSIDE RADIUS OF ANY MACHINED FEATURES SHOULD BE NO SMALLER THAN .031"



312208 MALE
SCALE 1.000



312208 FEMALE
SCALE 1.000



SXX-312208-XXX MALE - ABS, BLACK

| STEP NO | DESCRIPTION | CUTTER | FIXTURE | ORIENTATION | PROGRAM |
|---------|-------------|---------------|---------|-------------|---------|
| 1 | - | T2 = .062" EM | - | - | - |
| 2 | - | T2 = .062" EM | - | - | - |
| 3 | - | T2 = .062" EM | - | - | - |

SXX-312208-XXX FEMALE - ABS, BLACK

| STEP NO | DESCRIPTION | CUTTER | FIXTURE | ORIENTATION | PROGRAM |
|---------|-------------|---------------|---------|-------------|---------|
| 4 | - | T2 = .062" EM | - | - | - |
| 5 | - | T2 = .062" EM | - | - | - |
| 6 | - | T2 = .062" EM | - | - | - |

TOLERANCES: UNLESS OTHERWISE SPECIFIED
DIMENSIONS ARE IN U.S. INCHES:
X.XX = .015 X.XXXX = .001
X.XXX = .010 X.X° = 1°

NEW AGE ENCLOSURES

Customer's Part No: 312208

| | | |
|----------|-----------|------|
| APPROVAL | BY | DATE |
| CHECK | | |
| ENG. | | |
| SCALE | | |
| DRAWN BY | 03-Oct-09 | |
| M BOYER | | |

NEW AGE ENCLOSURES

4330 Santa Fe Road San Luis Obispo, CA. 93401
ph. (805) 595-1310 fax (805) 595-1024
www.newageenclosures.com

STANDARD - PROJECT BOX SXX-312208 ASSEMBLY

| | | | |
|------|--------------|--------|---------|
| SIZE | DRAWING NAME | SHEET | REV.DOC |
| A | 312208_R2_0 | 6 OF 6 | 2.0 |

Mouser Electronics

Authorized Distributor

Click to View Pricing, Inventory, Delivery & Lifecycle Information:

[New Age Enclosures:](#)

[S1A-312208](#) [S3A-312208](#)

Компания «Океан Электроники» предлагает заключение долгосрочных отношений при поставках импортных электронных компонентов на взаимовыгодных условиях!

Наши преимущества:

- Поставка оригинальных импортных электронных компонентов напрямую с производств Америки, Европы и Азии, а так же с крупнейших складов мира;
- Широкая линейка поставок активных и пассивных импортных электронных компонентов (более 30 млн. наименований);
- Поставка сложных, дефицитных, либо снятых с производства позиций;
- Оперативные сроки поставки под заказ (от 5 рабочих дней);
- Экспресс доставка в любую точку России;
- Помощь Конструкторского Отдела и консультации квалифицированных инженеров;
- Техническая поддержка проекта, помощь в подборе аналогов, поставка прототипов;
- Поставка электронных компонентов под контролем ВП;
- Система менеджмента качества сертифицирована по Международному стандарту ISO 9001;
- При необходимости вся продукция военного и аэрокосмического назначения проходит испытания и сертификацию в лаборатории (по согласованию с заказчиком);
- Поставка специализированных компонентов военного и аэрокосмического уровня качества (Xilinx, Altera, Analog Devices, Intersil, Interpoint, Microsemi, Actel, Aeroflex, Peregrine, VPT, Syfer, Eurofarad, Texas Instruments, MS Kennedy, Miteq, Cobham, E2V, MA-COM, Hittite, Mini-Circuits, General Dynamics и др.);

Компания «Океан Электроники» является официальным дистрибьютором и эксклюзивным представителем в России одного из крупнейших производителей разъемов военного и аэрокосмического назначения «JONHON», а так же официальным дистрибьютором и эксклюзивным представителем в России производителя высокотехнологичных и надежных решений для передачи СВЧ сигналов «FORSTAR».



JONHON

«JONHON» (основан в 1970 г.)

Разъемы специального, военного и аэрокосмического назначения:

(Применяются в военной, авиационной, аэрокосмической, морской, железнодорожной, горно- и нефтедобывающей отраслях промышленности)

«FORSTAR» (основан в 1998 г.)

ВЧ соединители, коаксиальные кабели, кабельные сборки и микроволновые компоненты:

(Применяются в телекоммуникациях гражданского и специального назначения, в средствах связи, РЛС, а так же военной, авиационной и аэрокосмической отраслях промышленности).



Телефон: 8 (812) 309-75-97 (многоканальный)

Факс: 8 (812) 320-03-32

Электронная почта: ocean@oceanchips.ru

Web: <http://oceanchips.ru/>

Адрес: 198099, г. Санкт-Петербург, ул. Калинина, д. 2, корп. 4, лит. А