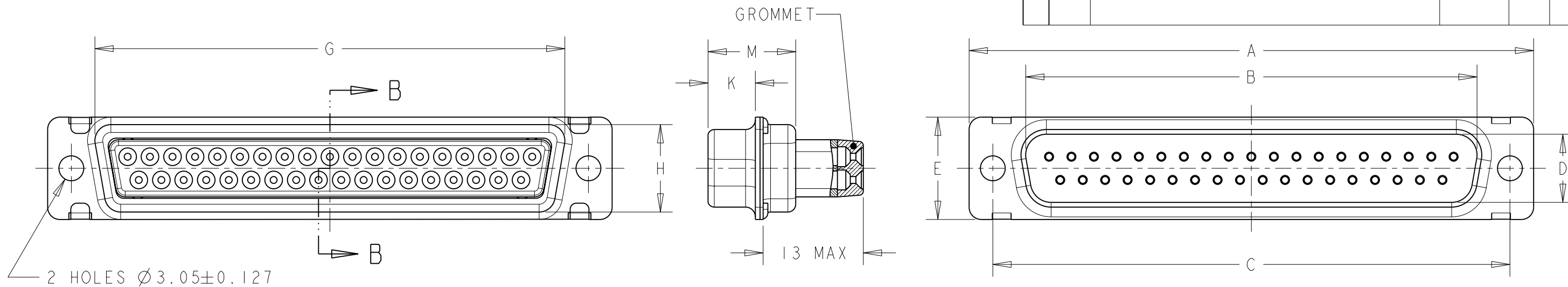


LOC	DIST	REVISIONS				
P	LTR	DESCRIPTION	DATE	DWN	APVD	
F	00	E	13 WAS 11.9 MAX. UPDATE NOTE 5 AND FORMAT	24OCT2011	JT	YP

# PLUG TYPE MDP

## SECTION B-B



M $\pm 0.25$	K $\pm 0.13$	G $\pm 0.25$	H $\pm 0.25$	E $\pm 0.38$	D $\pm 0.13$	C $\pm 0.13$	B $\pm 0.13$	A $\pm 0.38$	DESCRIPTION	Nb POS.	SIZE	OLD P/N	P/N
10.82	5.84	55.32	13.56	15.37	11.20	61.11	52.81	66.93	PLUG	50	5	MDP308G - 50P2 - 001	1-1236089-0
10.82	5.84	57.71	10.72	12.55	8.36	63.50	55.42	69.32	PLUG	37	4	MDP308G - 37P2 - 001	1236089-9
10.82	5.84	41.30	10.72	12.55	8.36	47.04	38.96	53.04	PLUG	25	3	MDP308G - 25P2 - 001	1236089-8
10.72	5.97	27.51	10.72	12.55	8.36	33.32	25.25	39.14	PLUG	15	2	MDP308G - 15P2 - 001	1236089-7
10.72	5.97	19.28	10.72	12.55	8.36	24.99	16.92	30.81	PLUG	9	1	MDP308G - 9P2 - 001	1236089-6
10.82	5.84	55.32	13.56	15.37	11.20	61.11	52.81	66.93	PLUG WITH #20 PIN CONTACTS	50	5	MDP308G - 50P2	1236089-5
10.82	5.84	57.71	10.72	12.55	8.36	63.50	55.42	69.32	PLUG WITH #20 PIN CONTACTS	37	4	MDP308G - 37P2	1236089-4
10.82	5.84	41.30	10.72	12.55	8.36	47.04	38.96	53.04	PLUG WITH #20 PIN CONTACTS	25	3	MDP308G - 25P2	1236089-3
10.72	5.97	27.51	10.72	12.55	8.36	33.32	25.25	39.14	PLUG WITH #20 PIN CONTACTS	15	2	MDP308G - 15P2	1236089-2
10.72	5.97	19.28	10.72	12.55	8.36	24.99	16.92	30.81	PLUG WITH #20 PIN CONTACTS	9	1	MDP308G - 9P2	1236089-1
												STANDARD MOUNT	

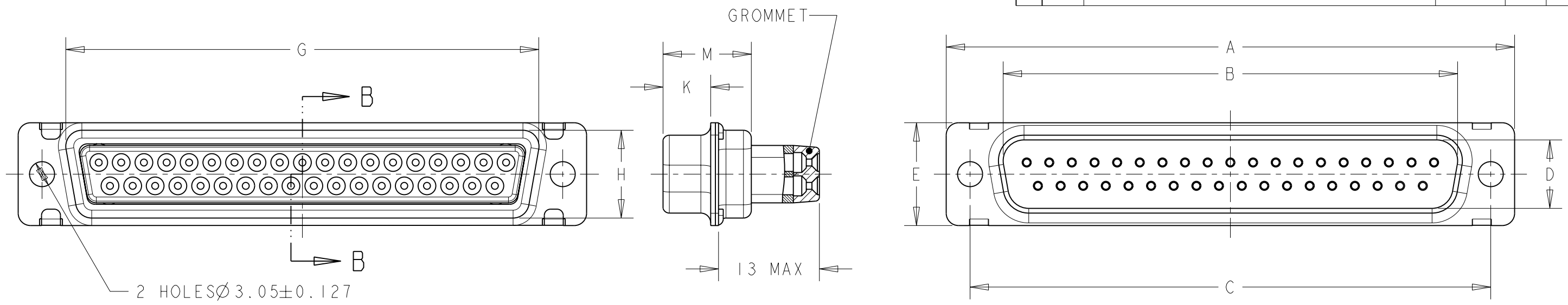
SEE NOTES ON LAST SHEET

THIS DRAWING IS A CONTROLLED DOCUMENT.		DWN J. THUEZ 29MAY2009	 TE Connectivity		
DIMENSIONS: mm		CHK Y. PETRONIN 03JUN2009			
TOLERANCES UNLESS OTHERWISE SPECIFIED:		APVD Y. PETRONIN 03JUN2009	NAME SUB D PLUG WITH WIRE BUSHING MDP TYPE		
0 PLC $\pm 0.5$ 1 PLC $\pm 0.1$ 2 PLC $\pm 0.02$ 3 PLC $\pm 0.005$ 4 PLC $\pm$ ANGLES $\pm 30'$		PRODUCT SPEC -	RESTRICTED TO		
MATERIAL NOTE 3		APPLICATION SPEC NOTE 7	SIZE A3	CAGE CODE 00779	DRAWING NO C-1236089
FINISH NOTE 4		WEIGHT -	SCALE 2:1 SHEET 1 OF 6 REV E		
CUSTOMER DRAWING					

LOC	DIST	REVISIONS				
P	LTR	DESCRIPTION	DATE	DWN	APVD	
F	00	-	SEE SHEET 1	-	-	

# PLUG TYPE MDP

## SECTION B-B



10.82	5.84	58.47	15.14	16.97	12.78	63.50	56.18	69.32	PLUG	104	6	MDP308G - 66104P2 - 001	4-1236089-1
10.82	5.84	55.32	13.56	15.37	11.20	61.11	52.81	66.93	PLUG	78	5	MDP308G - 5078P2 - 001	4-1236089-0
10.82	5.84	57.71	10.72	12.55	8.36	63.50	55.42	69.32	PLUG	62	4	MDP308G - 3762P2 - 001	3-1236089-9
10.82	5.84	41.30	10.72	12.55	8.36	47.04	38.96	53.04	PLUG	44	3	MDP308G - 2544P2 - 001	3-1236089-8
10.72	5.97	27.51	10.72	12.55	8.36	33.32	25.25	39.14	PLUG	26	2	MDP308G - 1526P2 - 001	3-1236089-7
10.72	5.97	19.28	10.72	12.55	8.36	24.99	16.92	30.81	PLUG	15	1	MDP308G - 915P2 - 001	3-1236089-6
10.82	5.84	58.47	15.14	16.97	12.78	63.50	56.18	69.32	PLUG WITH #22 PIN CONTACTS	104	6	MDP308G - 66104P2	3-1236089-5
10.82	5.84	55.32	13.56	15.37	11.20	61.11	52.81	66.93	PLUG WITH #22 PIN CONTACTS	78	5	MDP308G - 5078P2	3-1236089-4
10.82	5.84	57.71	10.72	12.55	8.36	63.50	55.42	69.32	PLUG WITH #22 PIN CONTACTS	62	4	MDP308G - 3762P2	3-1236089-3
10.82	5.84	41.30	10.72	12.55	8.36	47.04	38.96	53.04	PLUG WITH #22 PIN CONTACTS	44	3	MDP308G - 2544P2	3-1236089-2
10.72	5.97	27.51	10.72	12.55	8.36	33.32	25.25	39.14	PLUG WITH #22 PIN CONTACTS	26	2	MDP308G - 1526P2	3-1236089-1
10.72	5.97	19.28	10.72	12.55	8.36	24.99	16.92	30.81	PLUG WITH #22 PIN CONTACTS	15	1	MDP308G - 915P2	3-1236089-0
M±0.25	K±0.13	G±0.25	H±0.25	E±0.38	D±0.13	C±0.13	B±0.13	A±0.38	DESCRIPTION	NB POS	SIZE	OLD P/N	P/N 2
STANDARD MOUNT HIGH DENSITE													

SEE NOTES ON LAST SHEET

THIS DRAWING IS A CONTROLLED DOCUMENT.

DWN J. THUEZ 29MAY2009  
CHK Y. PETRONIN 03JUN2009  
APVD Y. PETRONIN 03JUN2009

**STE** TE Connectivity

NAME SUB D PLUG WITH WIRE BUSHING MDP TYPE

PRODUCT SPEC -  
APPLICATION SPEC NOTE 7

SIZE A3 CAGE CODE 00779 DRAWING NO C-1236089 RESTRICTED TO -

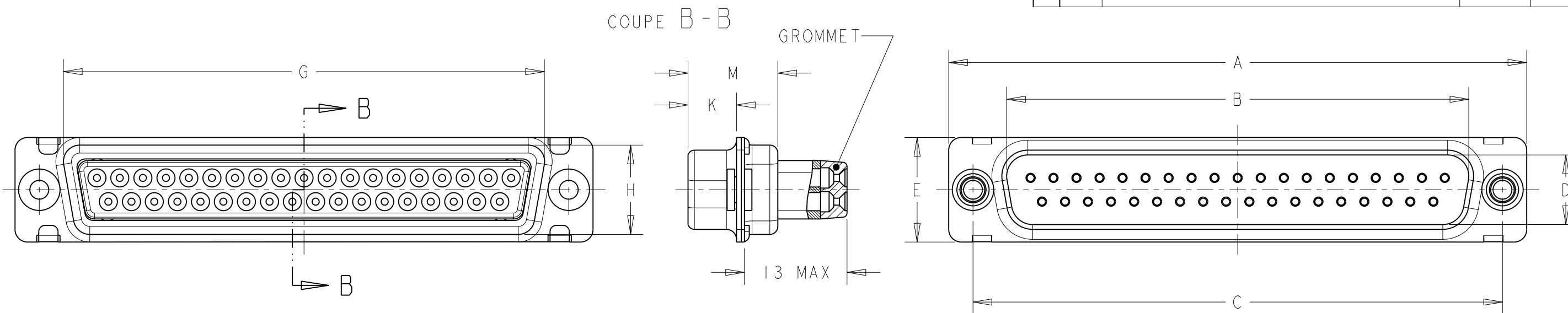
MATERIAL NOTE 3 FINISH NOTE 4 WEIGHT -

CUSTOMER DRAWING SCALE 2:1 SHEET 2 OF 6 REV E

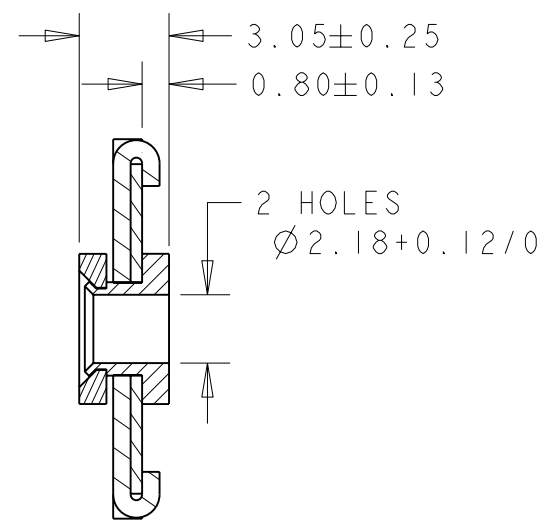
LOC	DIST
F	00

REVISIONS					
P	LTR	DESCRIPTION	DATE	DWN	APVD
-	-	SEE SHEET 1	-	-	-

# PLUG TYPE MDP



COUPE A-A  
ECHELLE 4:1



M±0.25	K±0.13	G±0.25	H±0.25	E±0.38	D±0.13	C±0.13	B±0.13	A±0.38	DESCRIPTION	Nb POS	SIZE	OLD P/N	P/N
10.82	5.84	55.32	13.56	15.37	11.20	61.11	52.81	66.93	PLUG	50	5	MDP308GF - 50P2 - 001	2-1236089-0
10.82	5.84	57.71	10.72	12.55	8.36	63.50	55.42	69.32	PLUG	37	4	MDP308GF - 37P2 - 001	1-1236089-9
10.82	5.84	41.30	10.72	12.55	8.36	47.04	38.96	53.04	PLUG	25	3	MDP308GF - 25P2 - 001	1-1236089-8
10.72	5.97	27.51	10.72	12.55	8.36	33.32	25.25	39.14	PLUG	15	2	MDP308GF - 15P2 - 001	1-1236089-7
10.72	5.97	19.28	10.72	12.55	8.36	24.99	16.92	30.81	PLUG	9	1	MDP308GF - 9P2 - 001	1-1236089-6
10.82	5.84	55.32	13.56	15.37	11.20	61.11	52.81	66.93	PLUG WITH #20 PIN CONTACTS	50	5	MDP308GF - 50P2	1-1236089-5
10.82	5.84	57.71	10.72	12.55	8.36	63.50	55.42	69.32	PLUG WITH #20 PIN CONTACTS	37	4	MDP308GF - 37P2	1-1236089-4
10.82	5.84	41.30	10.72	12.55	8.36	47.04	38.96	53.04	PLUG WITH #20 PIN CONTACTS	25	3	MDP308GF - 25P2	1-1236089-3
10.72	5.97	27.51	10.72	12.55	8.36	33.32	25.25	39.14	PLUG WITH #20 PIN CONTACTS	15	2	MDP308GF - 15P2	1-1236089-2
10.72	5.97	19.28	10.72	12.55	8.36	24.99	16.92	30.81	PLUG WITH #20 PIN CONTACTS	9	1	MDP308GF - 9P2	1-1236089-1
												FLOATING BUSHING	

THIS DRAWING IS A CONTROLLED DOCUMENT.

DWN J. THUEZ 29MAY2009

CHK Y. PETRONIN 03JUN2009

APVD Y. PETRONIN 03JUN2009

PRODUCT SPEC

APPLICATION SPEC

NOTE 7

WEIGHT -

CUSTOMER DRAWING



TE Connectivity

NAME  
SUB D PLUG  
WITH WIRE BUSHING  
MDP TYPE

SIZE CAGE CODE DRAWING NO RESTRICTED TO

A300779 C-1236089

SCALE 2:1 SHEET 3 OF 6 REV E

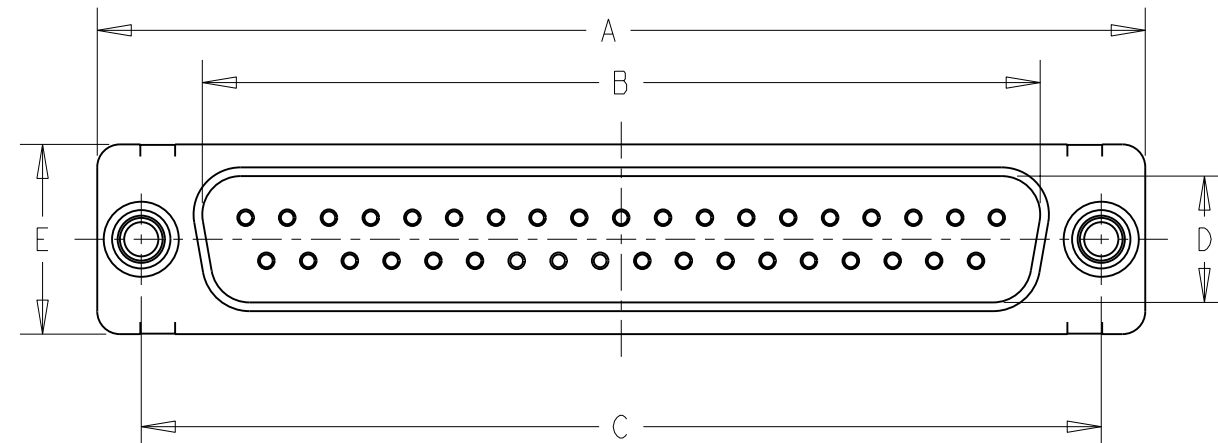
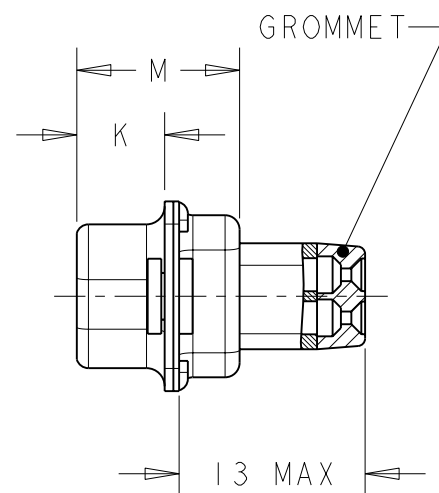
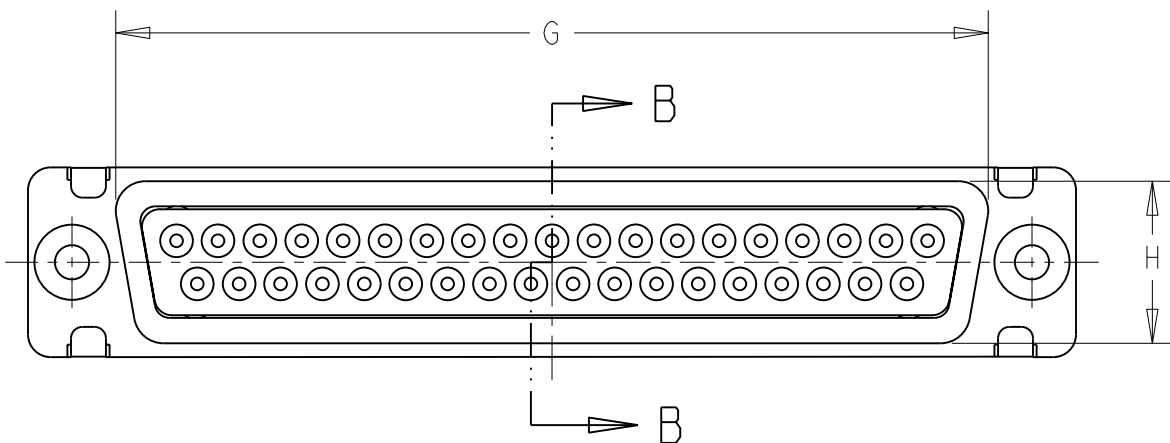
SEE NOTES ON LAST SHEET

DIMENSIONS: mm		TOLERANCES UNLESS OTHERWISE SPECIFIED:	
	0 PLC ±0.5	1 PLC ±0.1	2 PLC ±0.02
	3 PLC ±0.005	4 PLC ±	ANGLES ±0.30°
MATERIAL NOTE 3	FINISH NOTE 4		

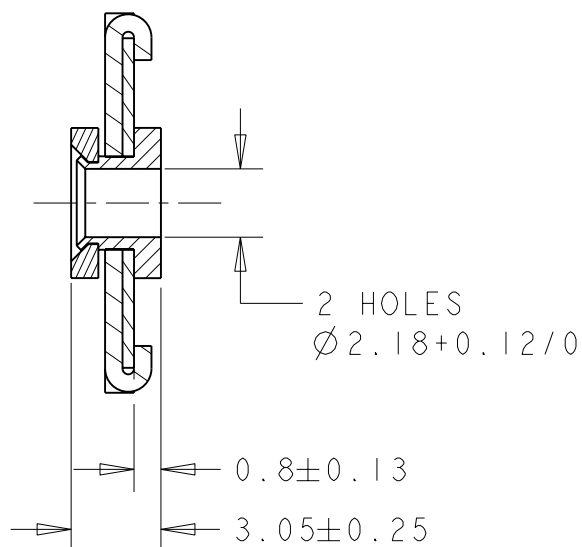
LOC	DIST	REVISIONS			
P	LTR	DESCRIPTION	DATE	DWN	APVD
F	00	-	SEE SHEET 1	-	-

### PLUG TYPE MDP

### SECTION B-B



COUPE A-A  
ECHELLE 4:1



M±0.25	K±0.13	G±0.25	H±0.25	E±0.38	D±0.13	C±0.13	B±0.13	A±0.38	DESCRIPTION	NB POS	SIZE	OLD P/N	P/N
10.82	5.84	58.47	15.14	16.97	12.78	63.50	56.18	69.32	PLUG	104	6	MDP308GF - 66104P2 - 001	6-1236089-1
10.82	5.84	55.32	13.56	15.37	11.20	61.11	52.81	66.93	PLUG	78	5	MDP308GF - 5078P2 - 001	6-1236089-0
10.82	5.84	57.71	10.72	12.55	8.36	63.50	55.42	69.32	PLUG	62	4	MDP308GF - 3762P2 - 001	5-1236089-9
10.82	5.84	41.30	10.72	12.55	8.36	47.04	38.96	53.04	PLUG	44	3	MDP308GF - 2544P2 - 001	5-1236089-8
10.72	5.97	27.51	10.72	12.55	8.36	33.32	25.25	39.14	PLUG	26	2	MDP308GF - 1526P2 - 001	5-1236089-7
10.72	5.97	19.28	10.72	12.55	8.36	24.99	16.92	30.81	PLUG	15	1	MDP308GF - 915P2 - 001	5-1236089-6
10.82	5.84	58.47	15.14	16.97	12.78	63.50	56.18	69.32	PLUG WITH #22 PIN CONTACTS	104	6	MDP308GF - 66104P2	5-1236089-5
10.82	5.84	55.32	13.56	15.37	11.20	61.11	52.81	66.93	PLUG WITH #22 PIN CONTACTS	78	5	MDP308GF - 5078P2	5-1236089-4
10.82	5.84	57.71	10.72	12.55	8.36	63.50	55.42	69.32	PLUG WITH #22 PIN CONTACTS	62	4	MDP308GF - 3762P2	5-1236089-3
10.82	5.84	41.30	10.72	12.55	8.36	47.04	38.96	53.04	PLUG WITH #22 PIN CONTACTS	44	3	MDP308GF - 2544P2	5-1236089-2
10.72	5.97	27.51	10.72	12.55	8.36	33.32	25.25	39.14	PLUG WITH #22 PIN CONTACTS	26	2	MDP308GF - 1526P2	5-1236089-1
10.72	5.97	19.28	10.72	12.55	8.36	24.99	16.92	30.81	PLUG WITH #22 PIN CONTACTS	15	1	MDP308GF - 915P2	5-1236089-0
												FLOATING BUSHING HIGH DENSITE	

SEE NOTES ON LAST SHEET

THIS DRAWING IS A CONTROLLED DOCUMENT.

DIMENSIONS: mm	TOLERANCES UNLESS OTHERWISE SPECIFIED:
	0 PLC ±0.5 1 PLC ±0.1 2 PLC ±0.02 3 PLC ±0.005 4 PLC ± ANGLES ±0.30°
MATERIAL NOTE 3	FINISH NOTE 4

DWN J. THUEZ 29MAY2009	CHK Y. PETRONIN 03JUN2009	APVD Y. PETRONIN 03JUN2009
PRODUCT SPEC	APPLICATION SPEC	NOTE 7
WEIGHT		

**STE** TE Connectivity

NAME: SUB D PLUG WITH WIRE BUSHING MDP TYPE

SIZE: A3 CAGE CODE: 00779 DRAWING NO: 1236089

RESTRICTED TO: -

THIS DRAWING IS UNPUBLISHED.

RELEASED FOR PUBLICATION

20

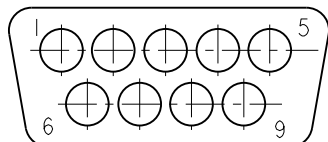
LOC F DIST 00

REVISIONS

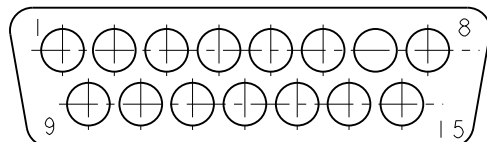
© COPYRIGHT 20 Tyco Electronics AMP GmbH ALL RIGHTS RESERVED.

P	LTR	DESCRIPTION	DATE	DWN	APVD
	-	SEE SHEET 1	-	-	-

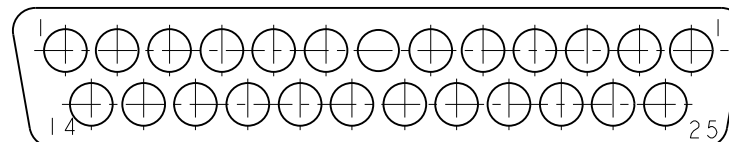
### MATING FACE OF PLUG SHOWN CONFIGURATIONS FOR #20 CONTACTS



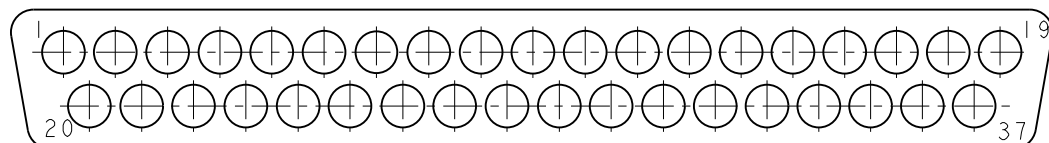
9 POSITION MS18273-1  
SHELL SIZE 1



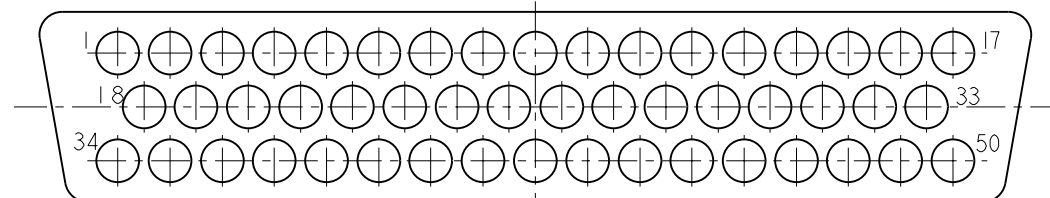
15 POSITION MS18274-1  
SHELL SIZE 2



25 POSITION MS18275-1  
SHELL SIZE 3

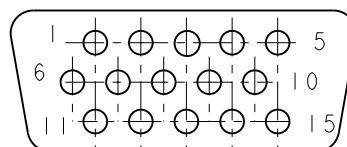


37 POSITION MS18276-1  
SHELL SIZE 4

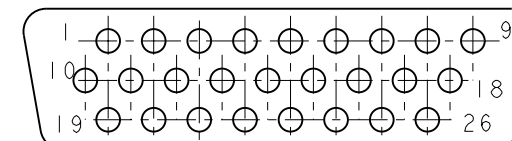


50 POSITION MS18277-1  
SHELL SIZE 5

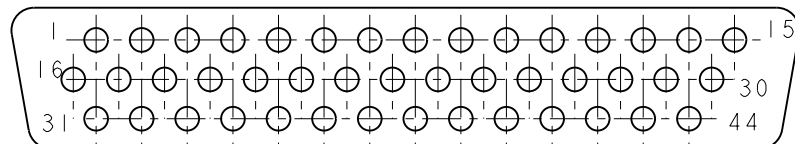
### CONFIGURATIONS FOR #22 CONTACTS MATING FACE OF PLUG SHOWN



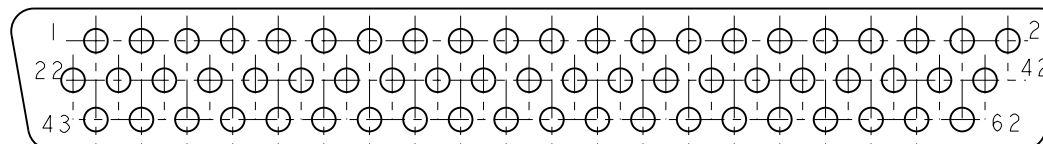
15 POSITION MS18273-2  
SHELL SIZE 1



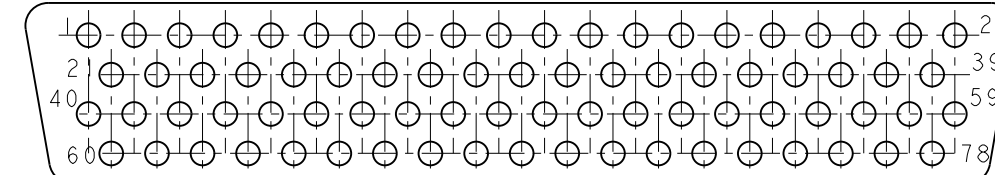
26 POSITION MS18274-2  
SHELL SIZE 2



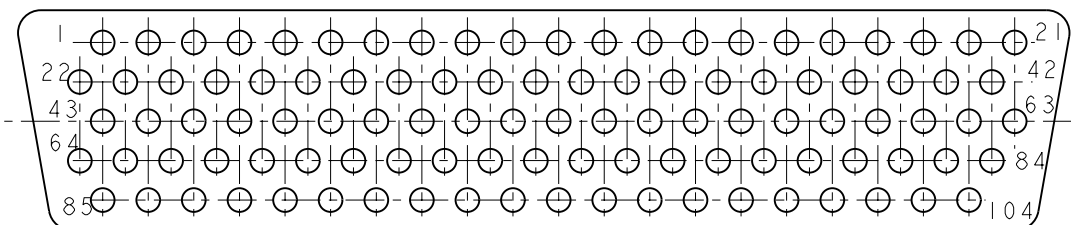
44 POSITION MS18275-2  
SHELL SIZE 3



62 POSITION MS18276-2  
SHELL SIZE 4


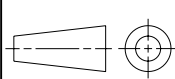


78 POSITION MS18277-2  
SHELL SIZE 5



104 POSITION MS14004-1  
SHELL SIZE 6

SEE NOTES ON LAST SHEET

THIS DRAWING IS A CONTROLLED DOCUMENT.		DWN J. THUEZ 29MAY2009	 TE Connectivity	
DIMENSIONS: mm		CHK Y. PETRONIN 03JUN2009		
TOLERANCES UNLESS OTHERWISE SPECIFIED:		APVD Y. PETRONIN 03JUN2009	NAME SUB D PLUG WITH WIRE BUSHING MDP TYPE	
		PRODUCT SPEC	SIZE A3 CAGE CODE 00779 DRAWING NO C-1236089 RESTRICTED TO	
0 PLC ±0.5 1 PLC ±0.1 2 PLC ±0.02 3 PLC ±0.005 4 PLC ANGLES ±°030'		APPLICATION SPEC NOTE 7	SCALE 2:1 SHEET 5 OF 6 REV E	
MATERIAL NOTE 3		FINISH NOTE 4	CUSTOMER DRAWING	

THIS DRAWING IS UNPUBLISHED. RELEASED FOR PUBLICATION 20  
 © COPYRIGHT 20 Tyco Electronics AMP GmbH ALL RIGHTS RESERVED.

LOC	DIST	REVISIONS					
F	00	P	LTR	DESCRIPTION	DATE	DWN	APVD
			-	SEE SHEET 1	-	-	-

1 THIS CONNECTOR MEETS THE REQUIREMENTS OF MIL-DTL-24308

2 PART NUMBER FOR ORDERING

3- MATERIALS :  
 SHELL : STEEL, CD PLATED  
 HOUSING : PBT, GLASS FILLED, UL94V0  
 RETAINING CLIP : STAINLESS STEEL  
 GROMMET : FLUOROSILICONE ELASTOMER  
 CONTACT: COPPER ALLOY, GOLD PLATED OVER NICKEL

4- CABLES EXTERNAL DIAMETER FOR CONTACTS #20 :  $\varnothing 0.85$  to  $\varnothing 1.83$   
 CABLES EXTERNAL DIAMETER FOR CONTACTS #22 :  $\varnothing 1.37$  MAX

5- CONNECTOR MARKING:  
 . MANUFACTURER IDENTIFICATION  
 . PART NUMBER  
 . DATE-CODE

6- INSERT ARRANGEMENT PER MIL-DTL-24308


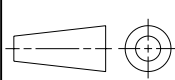
7- FOR CONTACT CRIMPING INSTRUCTION SHEET REFER TO SPEC IS 7516  
 FOR CONTACT INSTALATION/ REMOVAL INSTRUCTION SHEET REFER TO SPEC IS 7508

8- #20 SOCKET CRIMP CONTACT P/N: 205090-1  
 #20 PIN CRIMP CONTACT P/N: 205089-1

#22D SOCKET CRIMP CONTACT P/N: 204351-1  
 #22D PIN CRIMP CONTACT P/N: 204370-2

9- INSERTION/EXTRACTION TOOL P/N: 91067-2  
 INSERTION/EXTRACTION TOOL P/N: 91067-1

10- CRIMP WITH HAND TOOL: 601966-1 + DIE INSERT : 601966-4  
 CRIMP WITH HAND TOOL: M22520/02-01 + POSITIONNER : M22520/02-06

THIS DRAWING IS A CONTROLLED DOCUMENT.		DWN J. THUEZ 29MAY2009	 TE Connectivity	
DIMENSIONS: mm		CHK Y. PETRONIN 03JUN2009		
		APVD Y. PETRONIN 03JUN2009	NAME SUB D PLUG WITH WIRE BUSHING MDP TYPE	
TOLERANCES UNLESS OTHERWISE SPECIFIED: 0 PLC ±0.5 1 PLC ±0.1 2 PLC ±0.02 3 PLC ±0.005 4 PLC ± ANGLES ±0.30°		PRODUCT SPEC -	RESTRICTED TO -	
MATERIAL NOTE 3		APPLICATION SPEC NOTE 7	SIZE A3	CAGE CODE 00779
FINISH NOTE 4		WEIGHT -	DRAWING NO C-1236089	SCALE 2:1
		CUSTOMER DRAWING	SHEET 6 OF 6	REV E

Компания «Океан Электроники» предлагает заключение долгосрочных отношений при поставках импортных электронных компонентов на взаимовыгодных условиях!

Наши преимущества:

- Поставка оригинальных импортных электронных компонентов напрямую с производств Америки, Европы и Азии, а так же с крупнейших складов мира;
- Широкая линейка поставок активных и пассивных импортных электронных компонентов (более 30 млн. наименований);
- Поставка сложных, дефицитных, либо снятых с производства позиций;
- Оперативные сроки поставки под заказ (от 5 рабочих дней);
- Экспресс доставка в любую точку России;
- Помощь Конструкторского Отдела и консультации квалифицированных инженеров;
- Техническая поддержка проекта, помощь в подборе аналогов, поставка прототипов;
- Поставка электронных компонентов под контролем ВП;
- Система менеджмента качества сертифицирована по Международному стандарту ISO 9001;
- При необходимости вся продукция военного и аэрокосмического назначения проходит испытания и сертификацию в лаборатории (по согласованию с заказчиком);
- Поставка специализированных компонентов военного и аэрокосмического уровня качества (Xilinx, Altera, Analog Devices, Intersil, Interpoint, Microsemi, Actel, Aeroflex, Peregrine, VPT, Syfer, Eurofarad, Texas Instruments, MS Kennedy, Miteq, Cobham, E2V, MA-COM, Hittite, Mini-Circuits, General Dynamics и др.);

Компания «Океан Электроники» является официальным дистрибьютором и эксклюзивным представителем в России одного из крупнейших производителей разъемов военного и аэрокосмического назначения «JONHON», а так же официальным дистрибьютором и эксклюзивным представителем в России производителя высокотехнологичных и надежных решений для передачи СВЧ сигналов «FORSTAR».



## JONHON

«JONHON» (основан в 1970 г.)

Разъемы специального, военного и аэрокосмического назначения:

(Применяются в военной, авиационной, аэрокосмической, морской, железнодорожной, горно- и нефтедобывающей отраслях промышленности)

«FORSTAR» (основан в 1998 г.)

ВЧ соединители, коаксиальные кабели, кабельные сборки и микроволновые компоненты:

(Применяются в телекоммуникациях гражданского и специального назначения, в средствах связи, РЛС, а так же военной, авиационной и аэрокосмической отраслях промышленности).



Телефон: 8 (812) 309-75-97 (многоканальный)

Факс: 8 (812) 320-03-32

Электронная почта: [ocean@oceanchips.ru](mailto:ocean@oceanchips.ru)

Web: <http://oceanchips.ru/>

Адрес: 198099, г. Санкт-Петербург, ул. Калинина, д. 2, корп. 4, лит. А