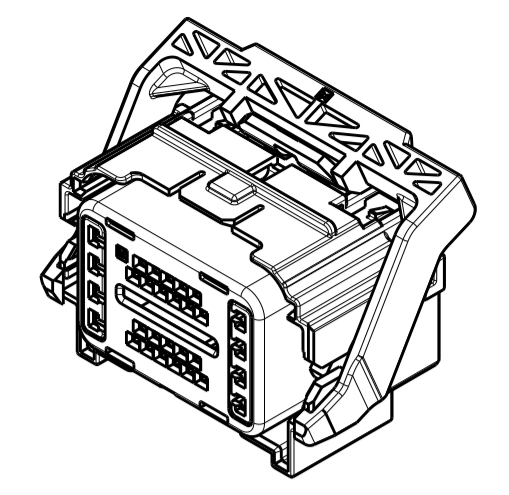
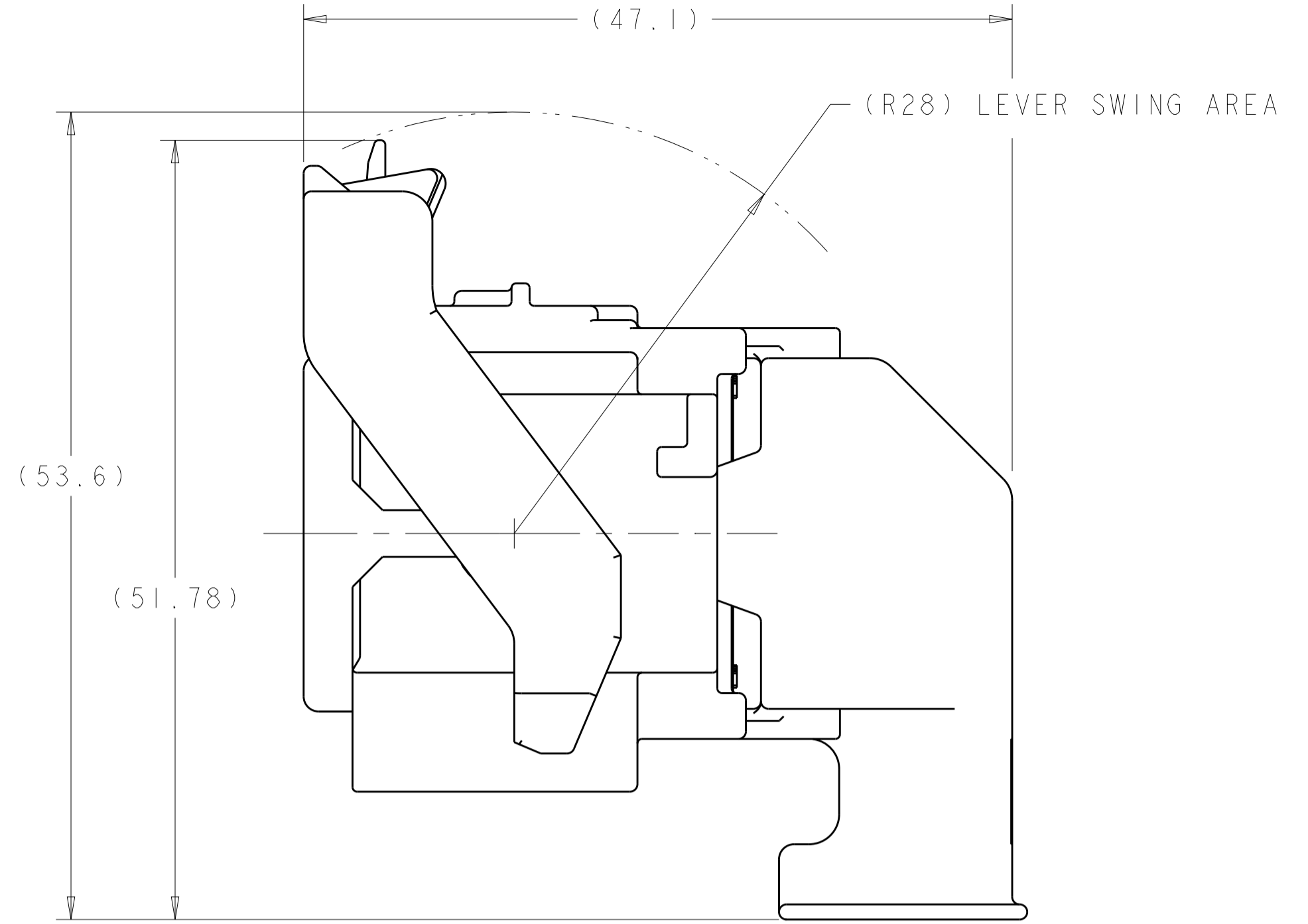
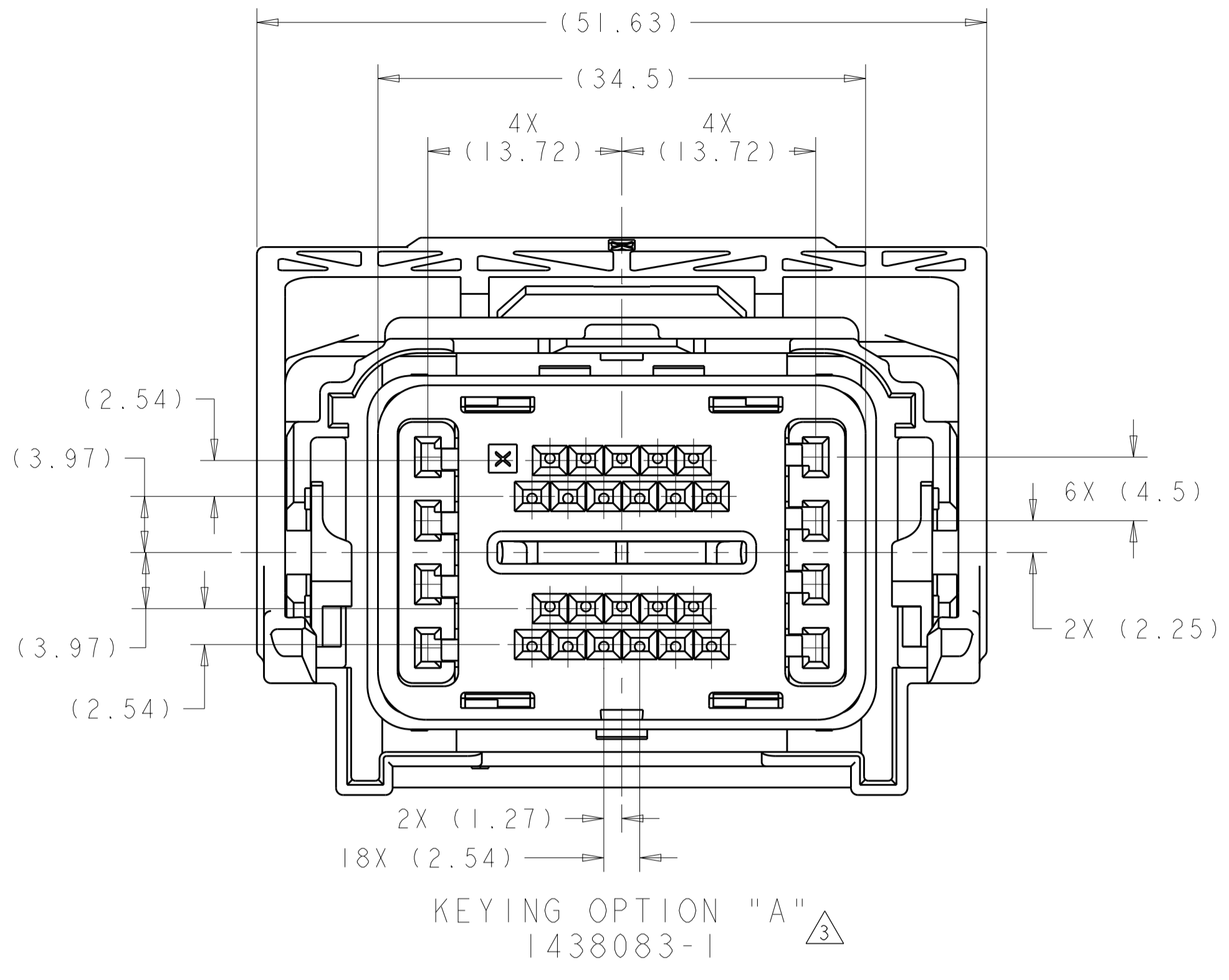


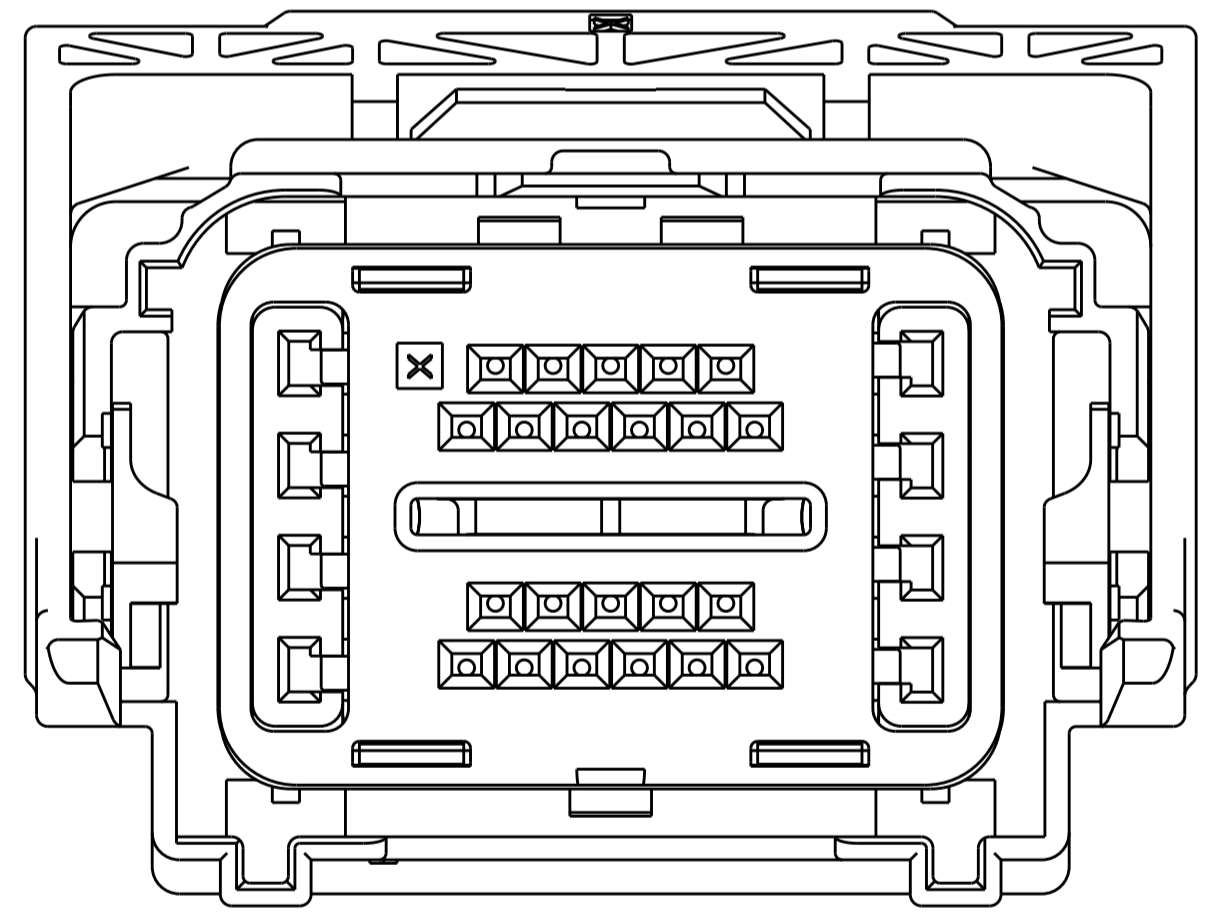
| REVISIONS |      |                           |           |         |
|-----------|------|---------------------------|-----------|---------|
| P.        | LTN. | DESCRIPTION               | DATE      | APVD.   |
| H6        |      | REVISED PER ECO-11-018497 | 09SEP2011 | DLD DCM |
| H7        |      | REVISED PER ECO-14-015177 | 15OCT2014 | DLD DCM |



SCALE 1:1

- $\triangle$  MATERIAL:  
 HARNESS - 35% GLASS FILLED PA66, BLACK  
 ALT MAT'L - 30% GLASS FILLED sPS, BLACK
- SPACER - 40% GLASS FILLED PPS, RED  
 ALT MAT'L - 30% GLASS FILLED sPS, RED
- COVER - 35% GLASS FILLED PA66, BLACK  
 ALT MAT'L - 30% GLASS FILLED LCP, BLACK
- CAM LEVER - 35% GLASS FILLED NYLON, GRAY  
 GROMMET - SILICONE, BROWN  
 PERIMETER SEAL - SILICONE, GREEN
- 2. CAM LEVER AND SPACER ARE SHIPPED IN PRE-LATCH POSITION.
- $\triangle$  SEE PINOUT CHART FOR CLOSED CIRCUIT CONFIGURATIONS.
- $\triangle$  CAVITIES WITH A NUMERIC SYMBOL INDICATES CLOSED TERMINAL LOCATIONS.  
 BLANK CAVITIES INDICATE OPEN TERMINAL HOLE LOCATIONS.

SHOWN WITH CAM LEVER AND SPACER  
 IN LOADED POSITION WITH  
 OPTIONAL WIRESHIELD

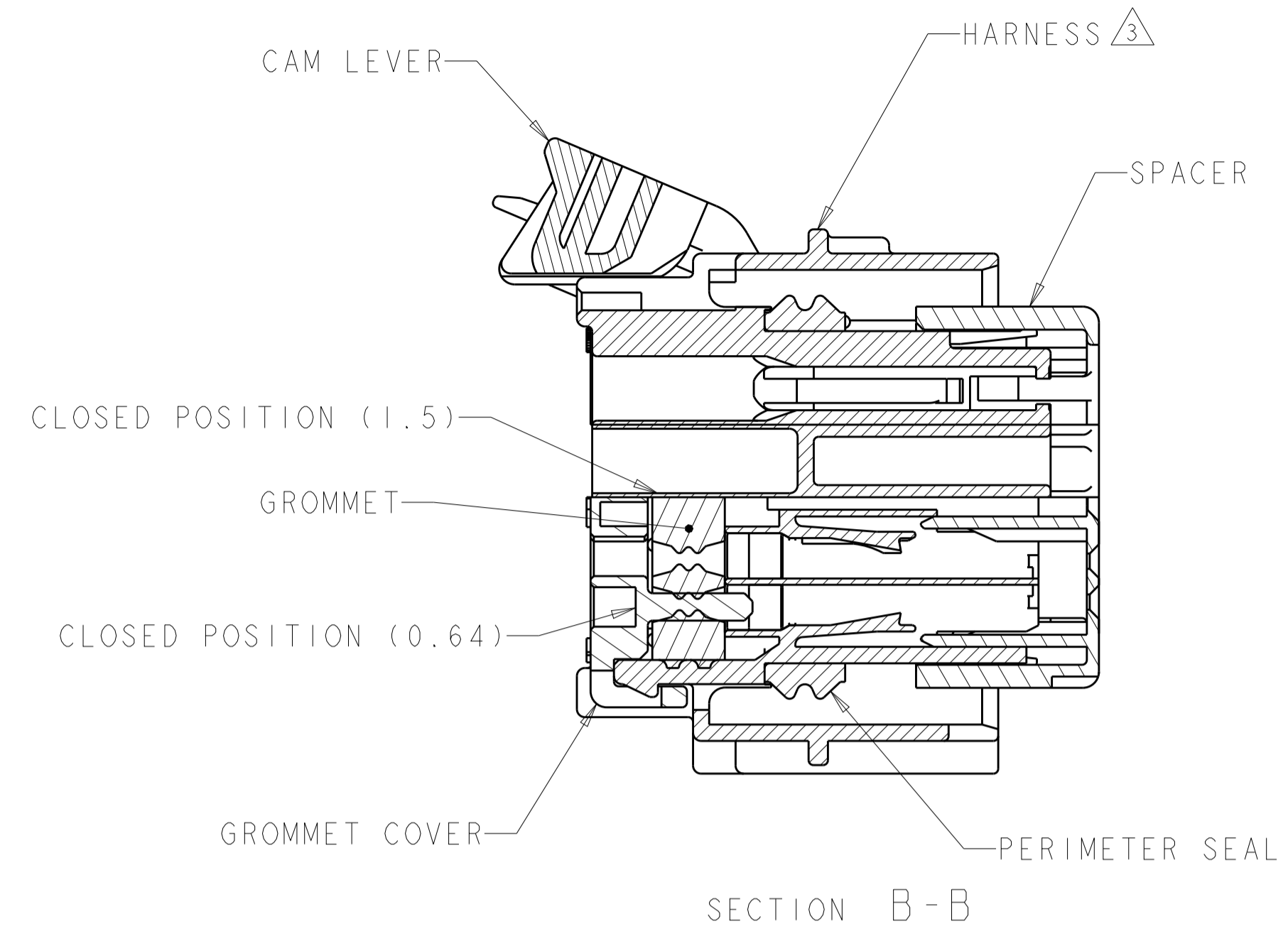
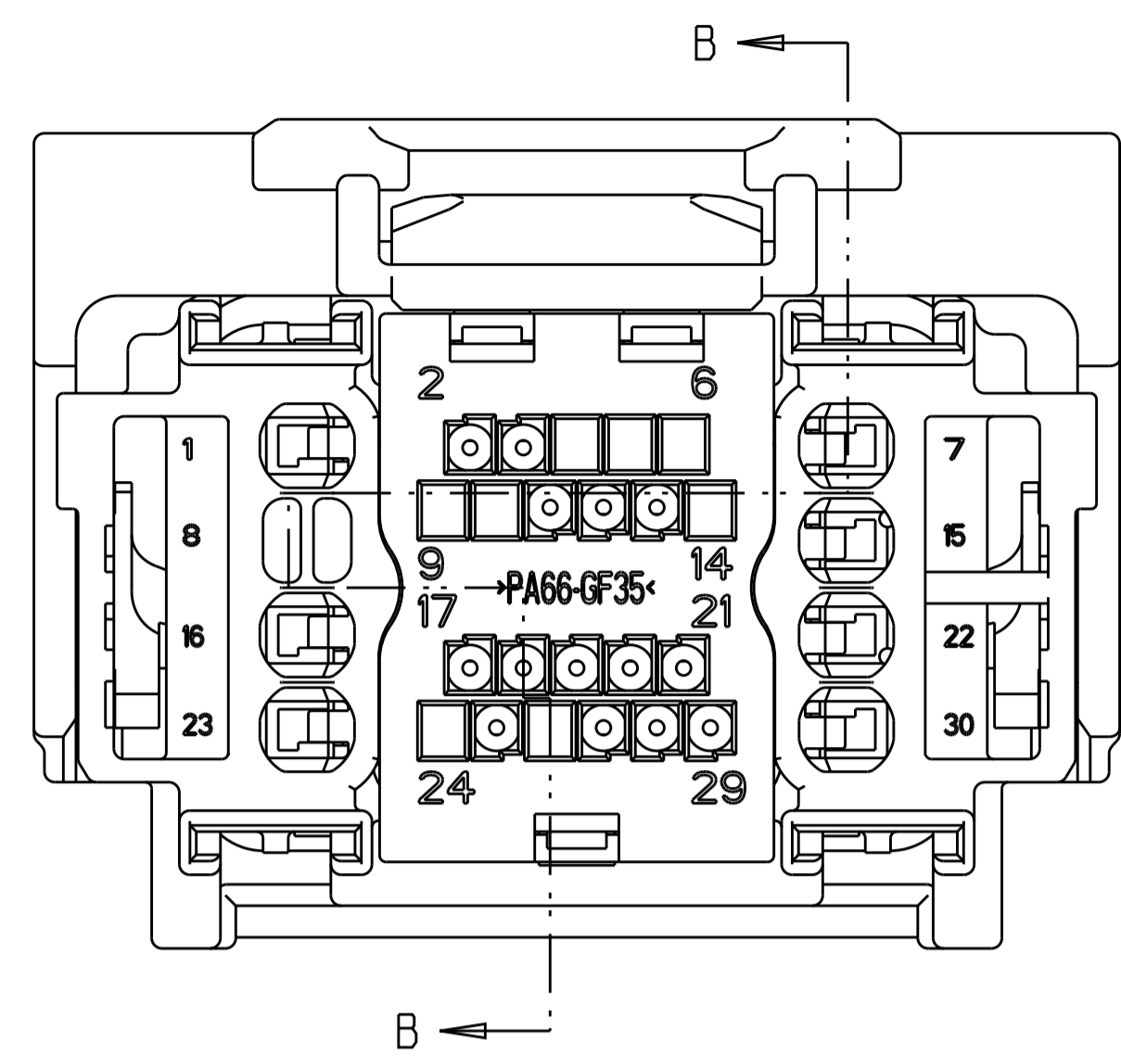


KEYING OPTION "B"  $\triangle$   
2272926-1

CHART FOR CLOSED CIRCUIT CONFIGURATIONS  
 SHEET 2

|  |  |                              |  |      |       |       |       |   |       |   |   |        |   |        |   |              |               |
|--|--|------------------------------|--|------|-------|-------|-------|---|-------|---|---|--------|---|--------|---|--------------|---------------|
| THIS DRAWING IS A CONTROLLED DOCUMENT.   |  | OWN: R. VESTAL 15OCT2003     | TE Connectivity                              |      |       |       |       |   |       |   |   |        |   |        |   |              |               |
| DIMENSIONS:  |  | CHK: D. STRAUSSER 15OCT2003  |  |      |       |       |       |   |       |   |   |        |   |        |   |              |               |
| mm   | TOLERANCES UNLESS OTHERWISE SPECIFIED: | APVD: D. STRAUSSER 15OCT2003 | NAME: PCM HARNESS ASSEMBLY, 30-WAY CONNECTOR |      |       |       |       |   |       |   |   |        |   |        |   |              |               |
| <table border="1"> <tr><td>0 PLC</td><td>±</td></tr> <tr><td>1 PLC</td><td>±0.3</td></tr> <tr><td>2 PLC</td><td>±0.10</td></tr> <tr><td>3 PLC</td><td>±</td></tr> <tr><td>4 PLC</td><td>±</td></tr> </table> | 0 PLC                                  | ±                            | 1 PLC  | ±0.3 | 2 PLC | ±0.10 | 3 PLC | ± | 4 PLC | ± | <table border="1"> <tr><td>ANGLES</td><td>±</td></tr> <tr><td>FINISH</td><td>±</td></tr> </table> | ANGLES | ± | FINISH | ± | PRODUCT SPEC | RESTRICTED TO |
| 0 PLC  | ±                                      |                              |  |      |       |       |       |   |       |   |   |        |   |        |   |              |               |
| 1 PLC  | ±0.3                                   |                              |  |      |       |       |       |   |       |   |   |        |   |        |   |              |               |
| 2 PLC  | ±0.10                                  |                              |  |      |       |       |       |   |       |   |   |        |   |        |   |              |               |
| 3 PLC  | ±                                      |                              |  |      |       |       |       |   |       |   |   |        |   |        |   |              |               |
| 4 PLC  | ±                                      |                              |  |      |       |       |       |   |       |   |   |        |   |        |   |              |               |
| ANGLES   | ±                                      |                              |  |      |       |       |       |   |       |   |   |        |   |        |   |              |               |
| FINISH   | ±                                      |                              |  |      |       |       |       |   |       |   |   |        |   |        |   |              |               |
| MATERIAL   | FINISH                                 | APPLICATION SPEC             | SIZE: CAGE CODE DRAWING NO                   |      |       |       |       |   |       |   |   |        |   |        |   |              |               |
|  |  | WEIGHT                       | A100779C=1438083                             |      |       |       |       |   |       |   |   |        |   |        |   |              |               |
|  |  | CUSTOMER DRAWING             | SCALE 3:1 SHEET 1 OF 2 REV H7                |      |       |       |       |   |       |   |   |        |   |        |   |              |               |

| REVISIONS |      |             |      |       |
|-----------|------|-------------|------|-------|
| P.        | LTN. | DESCRIPTION | DATE | APVD. |
| -         | -    | SEE SHEET 1 | -    | -     |



SECTION B-B

| 30                                       | 29 | 28 | 27 | 26 | 25 | 24 | 23 | 22 | 21 | 20 | 19 | 18 | 17 | 16 | 15 | 14 | 13 | 12 | 11 | 10 | 9 | 8 | 7 | 6 | 5 | 4 | 3 | 2 | 1 | PART NUMBER | FORD PART NUMBER |                    |
|--|----|----|----|----|----|----|----|----|----|----|----|----|----|----|----|----|----|----|----|----|---|---|---|---|---|---|---|---|---|-------------|------------------|--------------------|
|  |    |    |    |    |    |    |    |    |    |    |    |    |    |    |    |    |    |    |    |    |   |   |   |   |   |   |   |   |   |             | 2272926-1        | GU5T-14A464-XA-000 |
| TERMINAL HOLE POSITION                   |    |    |    |    |    |    |    |    |    |    |    |    |    |    |    |    |    |    |    |    |   |   |   |   |   |   |   |   |   |             |                  |                    |
| PIN-OUT CHART KEYING OPTION "B" $\Delta$ |    |    |    |    |    |    |    |    |    |    |    |    |    |    |    |    |    |    |    |    |   |   |   |   |   |   |   |   |   |             |                  |                    |

| 30                                       | 29 | 28 | 27 | 26 | 25 | 24 | 23 | 22 | 21 | 20 | 19 | 18 | 17 | 16 | 15 | 14 | 13 | 12 | 11 | 10 | 9 | 8 | 7 | 6 | 5 | 4 | 3 | 2 | 1 | PART NUMBER | FORD PART NUMBER |             |                    |
|--|----|----|----|----|----|----|----|----|----|----|----|----|----|----|----|----|----|----|----|----|---|---|---|---|---|---|---|---|---|-------------|------------------|-------------|--------------------|
|  |    |    |    |    |    |    |    |    |    |    |    |    |    |    |    |    |    |    |    |    |   |   |   |   |   |   |   |   |   |             |                  | 4-1438083-2 | 2LIT-14A464-UC-038 |
|  |    |    |    |    |    |    |    |    |    |    |    |    |    |    |    |    |    |    |    |    |   |   |   |   |   |   |   |   |   |             |                  | 4-1438083-1 | 2LIT-14A464-UC-037 |
|  |    |    |    |    |    |    |    |    |    |    |    |    |    |    |    |    |    |    |    |    |   |   |   |   |   |   |   |   |   |             |                  | 4-1438083-0 | 2LIT-14A464-UC-036 |
|  |    |    |    |    |    |    |    |    |    |    |    |    |    |    |    |    |    |    |    |    |   |   |   |   |   |   |   |   |   |             |                  | 3-1438083-9 | 2LIT-14A464-UC-035 |
|  |    |    |    |    |    |    |    |    |    |    |    |    |    |    |    |    |    |    |    |    |   |   |   |   |   |   |   |   |   |             |                  | 3-1438083-8 | 2LIT-14A464-UC-034 |
|  |    |    |    |    |    |    |    |    |    |    |    |    |    |    |    |    |    |    |    |    |   |   |   |   |   |   |   |   |   |             |                  | 3-1438083-7 | 2LIT-14A464-UC-033 |
|  |    |    |    |    |    |    |    |    |    |    |    |    |    |    |    |    |    |    |    |    |   |   |   |   |   |   |   |   |   |             |                  | 3-1438083-6 | 2LIT-14A464-UC-032 |
|  |    |    |    |    |    |    |    |    |    |    |    |    |    |    |    |    |    |    |    |    |   |   |   |   |   |   |   |   |   |             |                  | 3-1438083-5 | 2LIT-14A464-UC-031 |
|  |    |    |    |    |    |    |    |    |    |    |    |    |    |    |    |    |    |    |    |    |   |   |   |   |   |   |   |   |   |             |                  | 3-1438083-4 | 2LIT-14A464-UC-030 |
|  |    |    |    |    |    |    |    |    |    |    |    |    |    |    |    |    |    |    |    |    |   |   |   |   |   |   |   |   |   |             |                  | 3-1438083-3 | 2LIT-14A464-UC-029 |
|  |    |    |    |    |    |    |    |    |    |    |    |    |    |    |    |    |    |    |    |    |   |   |   |   |   |   |   |   |   |             |                  | 3-1438083-2 | 2LIT-14A464-UC-028 |
|  |    |    |    |    |    |    |    |    |    |    |    |    |    |    |    |    |    |    |    |    |   |   |   |   |   |   |   |   |   |             |                  | 3-1438083-1 | 2LIT-14A464-UC-027 |
|  |    |    |    |    |    |    |    |    |    |    |    |    |    |    |    |    |    |    |    |    |   |   |   |   |   |   |   |   |   |             |                  | 3-1438083-0 | 2LIT-14A464-UC-026 |
|  |    |    |    |    |    |    |    |    |    |    |    |    |    |    |    |    |    |    |    |    |   |   |   |   |   |   |   |   |   |             |                  | 2-1438083-9 | 2LIT-14A464-UC-025 |
|  |    |    |    |    |    |    |    |    |    |    |    |    |    |    |    |    |    |    |    |    |   |   |   |   |   |   |   |   |   |             |                  | 2-1438083-8 | 2LIT-14A464-UC-024 |
|  |    |    |    |    |    |    |    |    |    |    |    |    |    |    |    |    |    |    |    |    |   |   |   |   |   |   |   |   |   |             |                  | 2-1438083-7 | 2LIT-14A464-UC-023 |
|  |    |    |    |    |    |    |    |    |    |    |    |    |    |    |    |    |    |    |    |    |   |   |   |   |   |   |   |   |   |             |                  | 2-1438083-6 | 2LIT-14A464-UC-022 |
|  |    |    |    |    |    |    |    |    |    |    |    |    |    |    |    |    |    |    |    |    |   |   |   |   |   |   |   |   |   |             |                  | 2-1438083-5 | 2LIT-14A464-UC-021 |
|  |    |    |    |    |    |    |    |    |    |    |    |    |    |    |    |    |    |    |    |    |   |   |   |   |   |   |   |   |   |             |                  | 2-1438083-4 | 2LIT-14A464-UC-020 |
|  |    |    |    |    |    |    |    |    |    |    |    |    |    |    |    |    |    |    |    |    |   |   |   |   |   |   |   |   |   |             |                  | 2-1438083-3 | 2LIT-14A464-UC-019 |
|  |    |    |    |    |    |    |    |    |    |    |    |    |    |    |    |    |    |    |    |    |   |   |   |   |   |   |   |   |   |             |                  | 2-1438083-2 | 2LIT-14A464-UC-018 |
|  |    |    |    |    |    |    |    |    |    |    |    |    |    |    |    |    |    |    |    |    |   |   |   |   |   |   |   |   |   |             |                  | 2-1438083-1 | 2LIT-14A464-UC-017 |
|  |    |    |    |    |    |    |    |    |    |    |    |    |    |    |    |    |    |    |    |    |   |   |   |   |   |   |   |   |   |             |                  | 2-1438083-0 | 2LIT-14A464-UC-016 |
|  |    |    |    |    |    |    |    |    |    |    |    |    |    |    |    |    |    |    |    |    |   |   |   |   |   |   |   |   |   |             |                  | 1-1438083-9 | 2LIT-14A464-UC-015 |
|  |    |    |    |    |    |    |    |    |    |    |    |    |    |    |    |    |    |    |    |    |   |   |   |   |   |   |   |   |   |             |                  | 1-1438083-8 | 2LIT-14A464-UC-014 |
|  |    |    |    |    |    |    |    |    |    |    |    |    |    |    |    |    |    |    |    |    |   |   |   |   |   |   |   |   |   |             |                  | 1-1438083-7 | 2LIT-14A464-UC-013 |
|  |    |    |    |    |    |    |    |    |    |    |    |    |    |    |    |    |    |    |    |    |   |   |   |   |   |   |   |   |   |             |                  | 1-1438083-6 | 2LIT-14A464-UC-012 |
|  |    |    |    |    |    |    |    |    |    |    |    |    |    |    |    |    |    |    |    |    |   |   |   |   |   |   |   |   |   |             |                  | 1-1438083-5 | 2LIT-14A464-UC-011 |
|  |    |    |    |    |    |    |    |    |    |    |    |    |    |    |    |    |    |    |    |    |   |   |   |   |   |   |   |   |   |             |                  | 1-1438083-4 | 2LIT-14A464-UC-010 |
|  |    |    |    |    |    |    |    |    |    |    |    |    |    |    |    |    |    |    |    |    |   |   |   |   |   |   |   |   |   |             |                  | 1-1438083-3 | 2LIT-14A464-UC-009 |
|  |    |    |    |    |    |    |    |    |    |    |    |    |    |    |    |    |    |    |    |    |   |   |   |   |   |   |   |   |   |             |                  | 1-1438083-2 | 2LIT-14A464-UC-008 |
|  |    |    |    |    |    |    |    |    |    |    |    |    |    |    |    |    |    |    |    |    |   |   |   |   |   |   |   |   |   |             |                  | 1-1438083-1 | 2LIT-14A464-UC-007 |
|  |    |    |    |    |    |    |    |    |    |    |    |    |    |    |    |    |    |    |    |    |   |   |   |   |   |   |   |   |   |             |                  | 1-1438083-0 | 2LIT-14A464-UC-006 |
|  |    |    |    |    |    |    |    |    |    |    |    |    |    |    |    |    |    |    |    |    |   |   |   |   |   |   |   |   |   |             |                  | 1438083-9   | 2LIT-14A464-UC-005 |
|  |    |    |    |    |    |    |    |    |    |    |    |    |    |    |    |    |    |    |    |    |   |   |   |   |   |   |   |   |   |             |                  | 1438083-8   | 2LIT-14A464-UC-004 |
|  |    |    |    |    |    |    |    |    |    |    |    |    |    |    |    |    |    |    |    |    |   |   |   |   |   |   |   |   |   |             |                  | 1438083-7   | 2LIT-14A464-UC-003 |
|  |    |    |    |    |    |    |    |    |    |    |    |    |    |    |    |    |    |    |    |    |   |   |   |   |   |   |   |   |   |             |                  | 1438083-6   | 2LIT-14A464-UC-002 |
|  |    |    |    |    |    |    |    |    |    |    |    |    |    |    |    |    |    |    |    |    |   |   |   |   |   |   |   |   |   |             |                  | 1438083-5   | 2LIT-14A464-UC-001 |
|  |    |    |    |    |    |    |    |    |    |    |    |    |    |    |    |    |    |    |    |    |   |   |   |   |   |   |   |   |   |             |                  | 1438083-1   | 2LIT-14A464-UC-000 |
| TERMINAL HOLE POSITION                   |    |    |    |    |    |    |    |    |    |    |    |    |    |    |    |    |    |    |    |    |   |   |   |   |   |   |   |   |   |             |                  |             |                    |
| PIN-OUT CHART KEYING OPTION "A" $\Delta$ |    |    |    |    |    |    |    |    |    |    |    |    |    |    |    |    |    |    |    |    |   |   |   |   |   |   |   |   |   |             |                  |             |                    |

|   |  |                              |   |
|---|--|------------------------------|---|
| THIS DRAWING IS A CONTROLLED DOCUMENT.  |  | OWN: R. VESTAL 15OCT2003     | TE Connectivity<br>NAME: PCM HARNESS ASSEMBLY, 30-WAY CONNECTOR |
| DIMENSIONS: mm  |  | CHK: D. STRAUSSER 15OCT2003  |   |
| TOLERANCES UNLESS OTHERWISE SPECIFIED:<br>0 PLC ±.<br>1 PLC ±0.3<br>2 PLC ±0.10<br>3 PLC ±.<br>4 PLC ±.<br>ANGLES ±.<br>FINISH ±. |  | APVD: D. STRAUSSER 15OCT2003 | RESTRICTED TO:  |
| MATERIAL: -   |  | PRODUCT SPEC: -              | SIZE: A100779   |
| Customer Drawing  |  | APPLICATION SPEC: -          | CAGE CODE: 1438083  |
|   |  | WEIGHT: -                    | SHEET 2 OF 2  |
|   |  | SCALE: 3:1                   | REV: H7   |

Компания «Океан Электроники» предлагает заключение долгосрочных отношений при поставках импортных электронных компонентов на взаимовыгодных условиях!

Наши преимущества:

- Поставка оригинальных импортных электронных компонентов напрямую с производств Америки, Европы и Азии, а так же с крупнейших складов мира;
- Широкая линейка поставок активных и пассивных импортных электронных компонентов (более 30 млн. наименований);
- Поставка сложных, дефицитных, либо снятых с производства позиций;
- Оперативные сроки поставки под заказ (от 5 рабочих дней);
- Экспресс доставка в любую точку России;
- Помощь Конструкторского Отдела и консультации квалифицированных инженеров;
- Техническая поддержка проекта, помощь в подборе аналогов, поставка прототипов;
- Поставка электронных компонентов под контролем ВП;
- Система менеджмента качества сертифицирована по Международному стандарту ISO 9001;
- При необходимости вся продукция военного и аэрокосмического назначения проходит испытания и сертификацию в лаборатории (по согласованию с заказчиком);
- Поставка специализированных компонентов военного и аэрокосмического уровня качества (Xilinx, Altera, Analog Devices, Intersil, Interpoint, Microsemi, Actel, Aeroflex, Peregrine, VPT, Syfer, Eurofarad, Texas Instruments, MS Kennedy, Miteq, Cobham, E2V, MA-COM, Hittite, Mini-Circuits, General Dynamics и др.);

Компания «Океан Электроники» является официальным дистрибьютором и эксклюзивным представителем в России одного из крупнейших производителей разъемов военного и аэрокосмического назначения «**JONHON**», а так же официальным дистрибьютором и эксклюзивным представителем в России производителя высокотехнологичных и надежных решений для передачи СВЧ сигналов «**FORSTAR**».



## JONHON

«**JONHON**» (основан в 1970 г.)

Разъемы специального, военного и аэрокосмического назначения:

(Применяются в военной, авиационной, аэрокосмической, морской, железнодорожной, горно- и нефтедобывающей отраслях промышленности)

«**FORSTAR**» (основан в 1998 г.)

ВЧ соединители, коаксиальные кабели, кабельные сборки и микроволновые компоненты:

(Применяются в телекоммуникациях гражданского и специального назначения, в средствах связи, РЛС, а так же военной, авиационной и аэрокосмической отраслях промышленности).



Телефон: 8 (812) 309-75-97 (многоканальный)

Факс: 8 (812) 320-03-32

Электронная почта: [ocean@oceanchips.ru](mailto:ocean@oceanchips.ru)

Web: <http://oceanchips.ru/>

Адрес: 198099, г. Санкт-Петербург, ул. Калинина, д. 2, корп. 4, лит. А