

## ISL43210A

Medium-Voltage, Single Supply, Single SPDT Analog Switch

FN7876  
Rev 0.00  
Jun 24, 2011

The Intersil ISL43210A device is a precision, bidirectional, single SPDT analog switch designed to operate from a single +2.7V to +15V supply. Targeted applications include applications that require a +15V single supply such as 3D TV/Eyeware products and single supply +3.0V/+5V battery powered equipment that benefit from the devices' low power consumption (5 $\mu$ W), low leakage currents (10nA max), and fast switching speeds ( $t_{ON}$  = 28ns,  $t_{OFF}$  = 20ns). Cell phones, for example, often face ASIC functionality limitations. The number of analog input or GPIO pins may be limited and digital geometries are not well suited to analog switch performance. This device may be used to "mux-in" additional functionality while reducing ASIC design risk. It's small package alleviates board space limitations, making it an ideal solution.

The ISL43210A is a single committed SPDT, which is perfect for use in 2-to-1 multiplexer applications.

**TABLE 1. FEATURES AT A GLANCE**

|                       | ISL43210A       |
|-----------------------|-----------------|
| SW 1/SW 2             | SPDT or 2x1 MUX |
| 12V $r_{ON}$          | 11 $\Omega$     |
| 12V $t_{ON}/t_{OFF}$  | 25ns/17ns       |
| 5V $r_{ON}$           | 19 $\Omega$     |
| 5V $t_{ON}/t_{OFF}$   | 28ns/20ns       |
| 3.3V $r_{ON}$         | 32 $\Omega$     |
| 3.3V $t_{ON}/t_{OFF}$ | 40ns/20ns       |
| Package               | 6 Ld SOT-23     |

## Related Literature

- Technical Brief [TB363](#) "Guidelines for Handling and Processing Moisture Sensitive Surface Mount Devices (SMDs)"
- Application Note [AN557](#) "Recommended Test Procedures for Analog Switches"

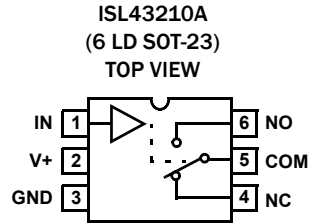
## Features

- Fully specified at 1.2V, 5V, and 3.3V supplies for 10% tolerances
- ON-resistance ( $r_{ON}$ ) ..... 11 $\Omega$
- $r_{ON}$  matching between channels ..... <1 $\Omega$
- Low charge injection ..... 5pC
- Single supply operation ..... +2.7V to +15V
- Low leakage current ..... 10nA
- Fast switching action
  - $t_{ON}$  ..... 25ns
  - $t_{OFF}$  ..... 17ns
- Guaranteed break-before-make switching
- Minimum 2000V ESD protection per method 3015.7
- TTL, CMOS compatible
- Available in 6 Ld SOT-23 package
- Pb-free (RoHS compliant)

## Applications

- Battery-powered, handheld, and portable equipment
  - Cellular/mobile phones
  - Pagers
  - Laptops, notebooks, palmtops
- Communications systems
  - Radios, ADSL Modems
  - PBX, PABX
- Test and measurement equipment
  - Ultrasound
  - Computerized Tomography (CT) Scanner
  - Magnetic Resonance Image (MRI)
  - Positron Emission Tomography (PET) Scanner
  - Electrocardiograph
- Audio and Video switching
  - 3D TV
  - 3D Eyeware
- Various circuits
  - +3V/+5V DACs and ADCs
  - Sample and hold circuits
  - Digital filters
  - Operational amplifier gain switching networks
  - High frequency analog switching
  - High speed multiplexing
  - Integrator reset circuits

## Pin Configuration (Note 1)



## NOTE:

1. Switch Shown for Logic "0" Input.

## Truth Table

| LOGIC | ISL43210A |        |
|-------|-----------|--------|
|       | PIN NC    | PIN NO |
| 0     | ON        | OFF    |
| 1     | OFF       | ON     |

NOTE: Logic "0"  $\leq 0.8V$ . Logic "1"  $\geq 2.4V$ .

## Pin Descriptions

| PIN NAME | PIN NUMBER | FUNCTION                                  |
|----------|------------|---|
| V+       | 2          | System Power Supply Input (+2.7V to +15V) |
| GND      | 3          | Ground Connection                         |
| IN       | 1          | Digital Control Input                     |
| COM      | 5          | Analog Switch Common Pin                  |
| NO       | 6          | Analog Switch Normally Open Pin           |
| NC       | 4          | Analog Switch Normally Closed Pin         |

## Ordering Information

| PART NUMBER<br>(Notes 2, 3, 4) | PART MARKING<br>(Note 5) | TEMP. RANGE<br>(°C) | PACKAGE<br>(Pb-free) | PKG. DWG. # |
|--------------------------------|--------------------------|---------------------|----------------------|-------------|
| ISL43210AIHZ-T                 | 210A                     | -40 to +85          | 6 Ld SOT-23          | P6.064      |
| ISL43210AIHZ-T7A               | 210A                     | -40 to +85          | 6 Ld SOT-23          | P6.064      |

## NOTES:

2. Please refer to [TB347](#) for details on reel specifications.
3. These Intersil Pb-free plastic packaged products employ special Pb-free material sets, molding compounds/die attach materials, and 100% matte tin plate plus anneal (e3 termination finish, which is RoHS compliant and compatible with both SnPb and Pb-free soldering operations). Intersil Pb-free products are MSL classified at Pb-free peak reflow temperatures that meet or exceed the Pb-free requirements of IPC/JEDEC J STD-020.
4. For Moisture Sensitivity Level (MSL), please see device information page for [ISL43210A](#). For more information on MSL please see techbrief [TB363](#).
5. The part marking is located on the bottom of the part.

## Absolute Maximum Ratings

|  |                       |
|--|-----------------------|
| V+ to GND  | -0.3 to 16.5V         |
| Input Voltages   |                       |
| IN (Note 6)  | -0.3 to ((V+) + 0.3V) |
| NO, NC (Note 6)  | -0.3 to ((V+) + 0.3V) |
| Output Voltages  |                       |
| COM (Note 6)   | -0.3 to ((V+) + 0.3V) |
| Continuous Current (Any Terminal)                                | 30mA                  |
| Peak Current NO, NC, or COM<br>(Pulsed 1ms, 10% Duty Cycle, Max) | 40mA                  |
| ESD Rating   |                       |
| Human Body Model (Tested per JESD22-A114E)                       | 2kV                   |
| Machine Model (Tested per JESD22-A115-A)                         | 100V                  |
| Latch Up (Tested per JESD-78B; Class 2, Level A)                 | 100mA                 |

## Thermal Information

|  |   |                      |
|--|---|----------------------|
| Thermal Resistance (Typical)                   | $\theta_{JA}$ (°C/W)  | $\theta_{JC}$ (°C/W) |
| 6 Ld SOT-23 Package (Notes 7, 8)               | 175   | 95                   |
| Maximum Junction Temperature (Plastic Package) | +150°C  |                      |
| Maximum Storage Temperature Range              | -65°C to +150°C   |                      |
| Pb-Free Reflow Profile                         | see link below<br><a href="http://www.intersil.com/pbfree/Pb-FreeReflow.asp">http://www.intersil.com/pbfree/Pb-FreeReflow.asp</a> |                      |

## Operating Conditions

|                           |                |
|---------------------------|----------------|
| Temperature Range         | -40°C to +85°C |
| Maximum Operating Voltage | 15V            |

**CAUTION:** Do not operate at or near the maximum ratings listed for extended periods of time. Exposure to such conditions may adversely impact product reliability and result in failures not covered by warranty.

### NOTES:

- Signals on NC, NO, COM, or IN exceeding V+ or GND are clamped by internal diodes. Limit forward diode current to maximum current ratings.
- $\theta_{JA}$  is measured with the component mounted on a high effective thermal conductivity test board in free air. See Tech Brief [TB379](#) for details.
- For  $\theta_{JC}$ , the "case temp" location is taken at the package top center.

**Electrical Specifications - 12V Supply** Test Conditions: V+ = +10.8V to +15V, GND = 0V,  $V_{INH}$  = 4V,  $V_{INL}$  = 0.8V (Note 9), Unless Otherwise Specified. **Boldface limits apply over the operating temperature range, -40°C to +85°C.**

| PARAMETER  | TEST CONDITIONS   | TEMP (°C) | MIN (Notes 10, 11) | TYP       | MAX (Notes 10, 11) | UNITS    |
|--|---|-----------|--------------------|-----------|--------------------|----------|
| <b>ANALOG SWITCH CHARACTERISTICS</b>                         |   |           |                    |           |                    |          |
| Analog Signal Range, $V_{ANALOG}$                            |   | Full      | <b>0</b>           | -         | <b>V+</b>          | V        |
| ON-Resistance, $r_{ON}$                                      | V+ = 10.8V, $I_{COM}$ = 1.0mA, $V_{NO}$ or $V_{NC}$ = 10V (see Figure 5)                            | 25        | -                  | <b>11</b> | <b>20</b>          | $\Omega$ |
|  |   | Full      | -                  | <b>15</b> | <b>25</b>          | $\Omega$ |
| $r_{ON}$ Matching Between Channels, $\Delta r_{ON}$          | V+ = 10.8V, $I_{COM}$ = 1.0mA, $V_{NO}$ or $V_{NC}$ = 10V   | 25        | -                  | 0.8       | <b>2</b>           | $\Omega$ |
|  |   | Full      | -                  | <b>1</b>  | <b>4</b>           | $\Omega$ |
| $r_{ON}$ Flatness, $R_{FLAT(ON)}$                            | V+ = 10.8V, $I_{COM}$ = 1.0mA, $V_{NO}$ or $V_{NC}$ = 3V, 6V, 9V (Note 12)                          | 25        | -                  | <b>1</b>  | <b>4</b>           | $\Omega$ |
|  |   | Full      | -                  | -         | <b>6</b>           | $\Omega$ |
| NO or NC OFF Leakage Current, $I_{NO(OFF)}$ or $I_{NC(OFF)}$ | V+ = 15V, $V_{COM}$ = 1V, 12V, $V_{NO}$ or $V_{NC}$ = 12V, 1V                                       | 25        | -3                 | 0.01      | <b>3</b>           | nA       |
|  |   | Full      | <b>-5</b>          | -         | <b>5</b>           | nA       |
| COM OFF Leakage Current, $I_{COM(OFF)}$                      | V+ = 15V, $V_{COM}$ = 12V, 1V, $V_{NO}$ or $V_{NC}$ = 1V, 12V                                       | 25        | -3                 | 0.01      | <b>3</b>           | nA       |
|  |   | Full      | <b>-5</b>          | -         | <b>5</b>           | nA       |
| COM ON Leakage Current, $I_{COM(ON)}$                        | V+ = 15V, $V_{COM}$ = 1V, 12V, or $V_{NO}$ or $V_{NC}$ = 1V, 12V or floating                        | 25        | -5                 | -         | <b>5</b>           | nA       |
|  |   | Full      | <b>-10</b>         | -         | <b>10</b>          | nA       |
| <b>DYNAMIC CHARACTERISTICS</b>                               |   |           |                    |           |                    |          |
| Turn-ON Time, $t_{ON}$                                       | $V_{NO}$ or $V_{NC}$ = 10V, $R_L$ = 1k $\Omega$ , $C_L$ = 35pF, $V_{IN}$ = 0V to 4V (see Figure 1)  | 25        | -                  | <b>25</b> | -                  | ns       |
|  |   | Full      | -                  | <b>35</b> | -                  | ns       |
| Turn-OFF Time, $t_{OFF}$                                     | $V_{NO}$ or $V_{NC}$ = 10V, $R_L$ = 1k $\Omega$ , $C_L$ = 35pF, $V_{IN}$ = 0V to 4V (see Figure 1)  | 25        | -                  | <b>17</b> | -                  | ns       |
|  |   | Full      | -                  | <b>26</b> | -                  | ns       |
| Break-Before-Make Time Delay, $t_D$                          | $R_L$ = 300 $\Omega$ , $C_L$ = 35pF, $V_{NO}$ or $V_{NC}$ = 10V, $V_{IN}$ = 0V to 4V (see Figure 3) | Full      | -                  | <b>2</b>  | -                  | ns       |
| Charge Injection, Q  | $C_L$ = 1.0nF, $V_G$ = 0V, $R_G$ = 0 $\Omega$ (see Figure 2)  | 25        | -                  | <b>5</b>  | -                  | pC       |
| OFF Isolation  | $R_L$ = 50 $\Omega$ , $C_L$ = 5pF, f = 1MHz (see Figure 4)  | 25        | -                  | <b>76</b> | -                  | dB       |

**Electrical Specifications - 12V Supply** Test Conditions:  $V_+ = +10.8V$  to  $+15V$ ,  $GND = 0V$ ,  $V_{INH} = 4V$ ,  $V_{INL} = 0.8V$  (Note 9), Unless Otherwise Specified. **Boldface limits apply over the operating temperature range,  $-40^\circ C$  to  $+85^\circ C$ .** (Continued)

| PARAMETER                            | TEST CONDITIONS   | TEMP<br>( $^\circ C$ ) | MIN<br>(Notes 10, 11) | TYP      | MAX<br>(Notes 10, 11) | UNITS   |
|--------------------------------------|---|------------------------|-----------------------|----------|-----------------------|---------|
| Crosstalk (Channel-to-Channel)       | $R_L = 50\Omega$ , $C_L = 5pF$ , $f = 1MHz$ (see Figure 6)      | 25                     | -                     | -<br>105 | -                     | dB      |
| Power Supply Rejection Ratio         | $R_L = 50\Omega$ , $C_L = 5pF$ , $f = 1MHz$                     | 25                     | -                     | 63       | -                     | dB      |
| NO or NC OFF Capacitance, $C_{OFF}$  | $f = 1MHz$ , $V_{NO}$ or $V_{NC} = V_{COM} = 0V$ (see Figure 7) | 25                     | -                     | 8        | -                     | pF      |
| COM OFF Capacitance, $C_{COM(OFF)}$  | $f = 1MHz$ , $V_{NO}$ or $V_{NC} = V_{COM} = 0V$ (see Figure 7) | 25                     | -                     | 8        | -                     | pF      |
| COM ON Capacitance, $C_{COM(ON)}$    | $f = 1MHz$ , $V_{NO}$ or $V_{NC} = V_{COM} = 0V$ (See Figure 7) | 25                     | -                     | 28       | -                     | pF      |
| <b>POWER SUPPLY CHARACTERISTICS</b>  |   |                        |                       |          |                       |         |
| Positive Supply Current, $I_+$       | $V_+ = 15V$ , $V_{IN} = 0V$ or $V_+$ , all channels on or off   | Full                   | <b>-1.8</b>           | -        | <b>1.8</b>            | $\mu A$ |
| <b>DIGITAL INPUT CHARACTERISTICS</b> |   |                        |                       |          |                       |         |
| Input Voltage Low, $V_{INL}$         |   | Full                   | -                     | -        | <b>0.8</b>            | V       |
| Input Voltage High, $V_{INH}$        |   | Full                   | <b>4</b>              | -        | -                     | V       |
| Input Current, $I_{INH}$ , $I_{INL}$ | $V_+ = 15V$ , $V_{IN} = 0V$ or $V_+$                            | Full                   | <b>-1</b>             | -        | <b>1</b>              | $\mu A$ |

**Electrical Specifications - 5V Supply** Test Conditions:  $V_+ = +4.5V$  to  $+5.5V$ ,  $GND = 0V$ ,  $V_{INH} = 2.4V$ ,  $V_{INL} = 0.8V$  (Note 9), Unless Otherwise Specified. **Boldface limits apply over the operating temperature range,  $-40^\circ C$  to  $+85^\circ C$ .**

| PARAMETER  | TEST CONDITIONS   | TEMP<br>( $^\circ C$ ) | MIN<br>(Notes 10, 11) | TYP  | MAX<br>(Notes 10, 11)   | UNITS    |
|--|---|------------------------|-----------------------|------|-------------------------|----------|
| <b>ANALOG SWITCH CHARACTERISTICS</b>                         |   |                        |                       |      |                         |          |
| Analog Signal Range, $V_{ANALOG}$                            |   | Full                   | <b>0</b>              | -    | <b><math>V_+</math></b> | V        |
| ON-Resistance, $r_{ON}$                                      | $V_+ = 4.5V$ , $I_{COM} = 1.0mA$ , $V_{NO}$ or $V_{NC} = 3.5V$<br>(See Figure 5)                      | 25                     | -                     | 19   | 30                      | $\Omega$ |
|  |   | Full                   | -                     | 23   | <b>40</b>               | $\Omega$ |
| $r_{ON}$ Matching Between Channels, $\Delta r_{ON}$          | $V_+ = 5V$ , $I_{COM} = 1.0mA$ , $V_{NO}$ or $V_{NC} = 3.5V$  | 25                     | -                     | 0.8  | 2                       | $\Omega$ |
|  |   | Full                   | -                     | 1    | <b>4</b>                | $\Omega$ |
| $r_{ON}$ Flatness, $R_{FLAT(ON)}$                            | $V_+ = 5V$ , $I_{COM} = 1.0mA$ , $V_{NO}$ or $V_{NC} = 1V, 2V, 3V$<br>(Note 12)                       | Full                   | -                     | 7    | <b>8</b>                | $\Omega$ |
| NO or NC OFF Leakage Current, $I_{NO(OFF)}$ or $I_{NC(OFF)}$ | $V_+ = 5.5V$ , $V_{COM} = 1V, 4.5V$ , $V_{NO}$ or $V_{NC} = 4.5V, 1V$                                 | 25                     | -3                    | 0.01 | 3                       | nA       |
|  |   | Full                   | <b>-5</b>             | -    | <b>5</b>                | nA       |
| COM OFF Leakage Current, $I_{COM(OFF)}$                      | $V_+ = 5.5V$ , $V_{COM} = 4.5V, 1V$ , $V_{NO}$ or $V_{NC} = 1V, 4.5V$                                 | 25                     | -3                    | -    | 3                       | nA       |
|  |   | Full                   | <b>-5</b>             | -    | <b>5</b>                | nA       |
| COM ON Leakage Current, $I_{COM(ON)}$                        | $V_+ = 5.5V$ , $V_{COM} = 1V, 4.5V$ , or $V_{NO}$ or $V_{NC} = 1V, 4.5V$ or Floating                  | 25                     | -5                    | -    | 5                       | nA       |
|  |   | Full                   | <b>-10</b>            | -    | <b>10</b>               | nA       |
| <b>DYNAMIC CHARACTERISTICS</b>                               |   |                        |                       |      |                         |          |
| Turn-ON Time, $t_{ON}$                                       | $V_{NO}$ or $V_{NC} = 3V$ , $R_L = 1k\Omega$ , $C_L = 35pF$ ,<br>$V_{IN} = 0V$ to $3V$ (See Figure 1) | 25                     | -                     | 28   | -                       | ns       |
|  |   | Full                   | -                     | 40   | -                       | ns       |
| Turn-OFF Time, $t_{OFF}$                                     | $V_{NO}$ or $V_{NC} = 3V$ , $R_L = 1k\Omega$ , $C_L = 35pF$ ,<br>$V_{IN} = 0V$ to $3V$ (See Figure 1) | 25                     | -                     | 20   | -                       | ns       |
|  |   | Full                   | -                     | 30   | -                       | ns       |
| Break-Before-Make Time Delay, $t_D$                          | $R_L = 300\Omega$ , $C_L = 35pF$ , $V_{NO} = V_{NC} = 3V$ ,<br>$V_{IN} = 0V$ to $3V$ (See Figure 3)   | Full                   | -                     | 10   | -                       | ns       |
| Charge Injection, Q  | $C_L = 1.0nF$ , $V_G = 0V$ , $R_G = 0\Omega$ (See Figure 2)   | 25                     | -                     | 3    | -                       | pC       |
| OFF Isolation  | $R_L = 50\Omega$ , $C_L = 5pF$ , $f = 1MHz$ (See Figure 4)  | 25                     | -                     | 76   | -                       | dB       |

**Electrical Specifications - 5V Supply** Test Conditions:  $V_+ = +4.5V$  to  $+5.5V$ ,  $GND = 0V$ ,  $V_{INH} = 2.4V$ ,  $V_{INL} = 0.8V$  (Note 9), Unless Otherwise Specified. **Boldface limits apply over the operating temperature range,  $-40^\circ C$  to  $+85^\circ C$ .** (Continued)

| PARAMETER                            | TEST CONDITIONS   | TEMP (°C) | MIN (Notes 10, 11) | TYP    | MAX (Notes 10, 11) | UNITS   |
|--------------------------------------|---|-----------|--------------------|--------|--------------------|---------|
| Power Supply Rejection Ratio         | $R_L = 50\Omega$ , $C_L = 5pF$ , $f = 1MHz$                     | 25        | -                  | 60     | -                  | dB      |
| NO or NC OFF Capacitance, $C_{OFF}$  | $f = 1MHz$ , $V_{NO}$ or $V_{NC} = V_{COM} = 0V$ (See Figure 7) | 25        | -                  | 8      | -                  | pF      |
| COM OFF Capacitance, $C_{COM(OFF)}$  | $f = 1MHz$ , $V_{NO}$ or $V_{NC} = V_{COM} = 0V$ (See Figure 7) | 25        | -                  | 8      | -                  | pF      |
| COM ON Capacitance, $C_{COM(ON)}$    | $f = 1MHz$ , $V_{NO}$ or $V_{NC} = V_{COM} = 0V$ (See Figure 7) | 25        | -                  | 28     | -                  | pF      |
| <b>POWER SUPPLY CHARACTERISTICS</b>  |   |           |                    |        |                    |         |
| Power Supply Range                   |   | Full      | <b>2.7</b>         | -      | <b>15</b>          | V       |
| Positive Supply Current, $I_+$       | $V_+ = 5.5V$ , $V_{IN} = 0V$ or $V_+$ , all channels on or off  | Full      | <b>-1</b>          | 0.0001 | <b>1</b>           | $\mu A$ |
| <b>DIGITAL INPUT CHARACTERISTICS</b> |   |           |                    |        |                    |         |
| Input Voltage Low, $V_{INL}$         |   | Full      | -                  | -      | <b>0.8</b>         | V       |
| Input Voltage High, $V_{INH}$        |   | Full      | <b>2.4</b>         | -      | -                  | V       |
| Input Current, $I_{INH}$ , $I_{INL}$ | $V_+ = 5.5V$ , $V_{IN} = 0V$ or $V_+$                           | Full      | <b>-1</b>          | -      | <b>1</b>           | $\mu A$ |

**Electrical Specifications - 2.7V to 5.5V Supply** Test Conditions:  $V_+ = +3.0V$  to  $+3.6V$ ,  $GND = 0V$ ,  $V_{INH} = 2.4V$ ,  $V_{INL} = 0.8V$  (Note 9), Unless Otherwise Specified. **Boldface limits apply over the operating temperature range,  $-40^\circ C$  to  $+85^\circ C$ .**

| PARAMETER  | TEST CONDITIONS   | TEMP (°C) | MIN (Notes 10, 11) | TYP  | MAX (Notes 10, 11) | UNITS    |
|--|---|-----------|--------------------|------|--------------------|----------|
| <b>ANALOG SWITCH CHARACTERISTICS</b>                         |   |           |                    |      |                    |          |
| Analog Signal Range, $V_{ANALOG}$                            |   | Full      | 0                  | -    | $V_+$              | V        |
| ON-Resistance, $r_{ON}$                                      | $V_+ = 3V$ , $I_{COM} = 1.0mA$ , $V_{NO}$ or $V_{NC} = 1.5V$ (see Figure 5)                           | 25        | -                  | 32   | 50                 | $\Omega$ |
| $r_{ON}$ Matching Between Channels, $\Delta r_{ON}$          | $V_+ = 3.3V$ , $I_{COM} = 1.0mA$ , $V_{NO}$ or $V_{NC} = 1.5V$  | Full      | -                  | 40   | <b>60</b>          | $\Omega$ |
|  |   | 25        | -                  | 0.8  | 2                  | $\Omega$ |
| $r_{ON}$ Flatness, $R_{FLAT(ON)}$                            | $V_+ = 3.3V$ , $I_{COM} = 1.0mA$ , $V_{NO}$ or $V_{NC} = 0.5V, 1V, 1.5V$ (Note 12)                    | Full      | -                  | 1    | <b>4</b>           | $\Omega$ |
|  |   | 25        | -                  | 6    | 10                 | $\Omega$ |
| NO or NC OFF Leakage Current, $I_{NO(OFF)}$ or $I_{NC(OFF)}$ | $V_+ = 3.6V$ , $V_{COM} = 1V, 3V$ , $V_{NO}$ or $V_{NC} = 3V, 1V$                                     | Full      | -3                 | 0.01 | 3                  | nA       |
|  |   | 25        | <b>-5</b>          | -    | <b>5</b>           | nA       |
| COM OFF Leakage Current, $I_{COM(OFF)}$                      | $V_+ = 3.6V$ , $V_{COM} = 3V, 1V$ , $V_{NO}$ or $V_{NC} = 1V, 3V$                                     | Full      | -3                 | 0.01 | 3                  | nA       |
|  |   | 25        | <b>-5</b>          | -    | <b>5</b>           | nA       |
| COM ON Leakage Current, $I_{COM(ON)}$                        | $V_+ = 3.6V$ , $V_{COM} = 1V, 3V$ , or $V_{NO}$ or $V_{NC} = 1V, 3V$ or floating                      | Full      | -5                 | -    | 5                  | nA       |
|  |   | 25        | <b>-10</b>         | -    | <b>10</b>          | nA       |
| <b>DYNAMIC CHARACTERISTICS</b>                               |   |           |                    |      |                    |          |
| Turn-ON Time, $t_{ON}$                                       | $V_{NO}$ or $V_{NC} = 1.5V$ , $R_L = 1k\Omega$ , $C_L = 35pF$ , $V_{IN} = 0V$ to $3V$ (see Figure 1)  | Full      | -                  | 40   | -                  | ns       |
|  |   | 25        | -                  | 60   | -                  | ns       |
| Turn-OFF Time, $t_{OFF}$                                     | $V_{NO}$ or $V_{NC} = 1.5V$ , $R_L = 1k\Omega$ , $C_L = 35pF$ , $V_{IN} = 0V$ to $3V$ (see Figure 1)  | Full      | -                  | 20   | -                  | ns       |
|  |   | 25        | -                  | 30   | -                  | ns       |
| Break-Before-Make Time Delay, $t_D$                          | $R_L = 300\Omega$ , $C_L = 35pF$ , $V_{NO}$ or $V_{NC} = 1.5V$ , $V_{IN} = 0V$ to $3V$ (see Figure 3) | Full      | -                  | 20   | -                  | ns       |
| Charge Injection, $Q$  | $C_L = 1.0nF$ , $V_G = 0V$ , $R_G = 0\Omega$ (see Figure 2)   | 25        | -                  | 1    | -                  | pC       |
| OFF Isolation  | $R_L = 50\Omega$ , $C_L = 5pF$ , $f = 1MHz$ (see Figure 4)  | 25        | -                  | 76   | -                  | dB       |
| Power Supply Rejection Ratio                                 | $R_L = 50\Omega$ , $C_L = 5pF$ , $f = 1MHz$   | 25        | -                  | 56   | -                  | dB       |
| NO or NC OFF Capacitance, $C_{OFF}$                          | $f = 1MHz$ , $V_{NO}$ or $V_{NC} = V_{COM} = 0V$ (see Figure 7)                                       | 25        | -                  | 8    | -                  | pF       |

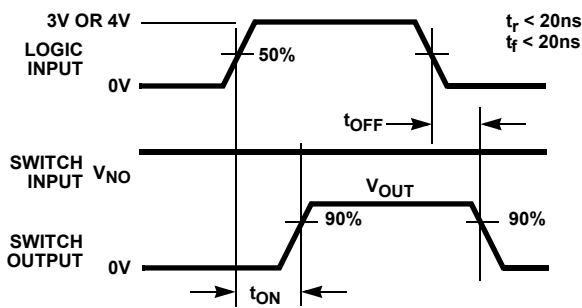
**Electrical Specifications - 2.7V to 5.5V Supply** Test Conditions:  $V+ = +3.0V$  to  $+3.6V$ ,  $GND = 0V$ ,  $V_{INH} = 2.4V$ ,  $V_{INL} = 0.8V$  (Note 9), Unless Otherwise Specified. **Boldface limits apply over the operating temperature range,  $-40^{\circ}C$  to  $+85^{\circ}C$ .** (Continued)

| PARAMETER                            | TEST CONDITIONS   | TEMP (°C) | MIN (Notes 10, 11) | TYP | MAX (Notes 10, 11) | UNITS   |
|--------------------------------------|---|-----------|--------------------|-----|--------------------|---------|
| COM OFF Capacitance, $C_{COM(OFF)}$  | $f = 1MHz$ , $V_{NO}$ or $V_{NC} = V_{COM} = 0V$ (see Figure 7) | 25        | -                  | 8   | -                  | pF      |
| COM ON Capacitance, $C_{COM(ON)}$    | $f = 1MHz$ , $V_{NO}$ or $V_{NC} = V_{COM} = 0V$ (See Figure 7) | 25        | -                  | 28  | -                  | pF      |
| <b>POWER SUPPLY CHARACTERISTICS</b>  |   |           |                    |     |                    |         |
| Positive Supply Current, $I+$        | $V+ = 3.6V$ , $V_{IN} = 0V$ or $V+$ , all channels on or off    | Full      | <b>-1</b>          | -   | <b>1</b>           | $\mu A$ |
| <b>DIGITAL INPUT CHARACTERISTICS</b> |   |           |                    |     |                    |         |
| Input Voltage Low, $V_{INL}$         |   | Full      | -                  | -   | <b>0.8</b>         | V       |
| Input Voltage High, $V_{INH}$        |   | Full      | <b>2.4</b>         | -   | -                  | V       |
| Input Current, $I_{INH}$ , $I_{INL}$ | $V+ = 3.6V$ , $V_{IN} = 0V$ or $V+$                             | Full      | <b>-1</b>          | -   | <b>1</b>           | $\mu A$ |

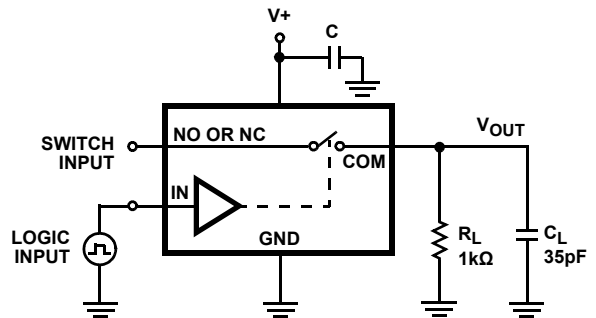
NOTES:

- 9.  $V_{IN}$  = input voltage to perform proper function.
- 10. The algebraic convention, whereby the most negative value is a minimum and the most positive a maximum, is used in this data sheet.
- 11. Compliance to datasheet limits is assured by one or more methods: production test, characterization and/or design.
- 12. Limits established by characterization and are not production tested.

**Test Circuits and Waveforms**



Logic input waveform is inverted for switches that have the opposite logic sense.



Repeat test for all switches.  $C_L$  includes fixture and stray capacitance.

$$V_{OUT} = V_{(NO \text{ or } NC)} \frac{R_L}{R_L + r_{ON}}$$

FIGURE 1A. MEASUREMENT POINTS

FIGURE 1. SWITCHING TIMES

FIGURE 1B. TEST CIRCUIT

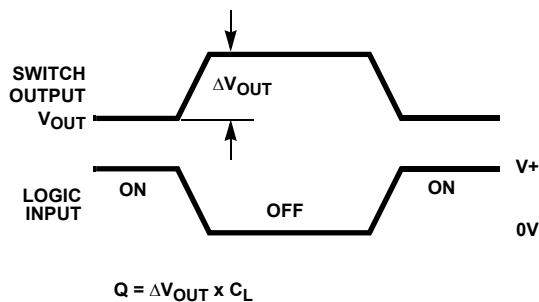


FIGURE 2A. MEASUREMENT POINTS

FIGURE 2. CHARGE INJECTION

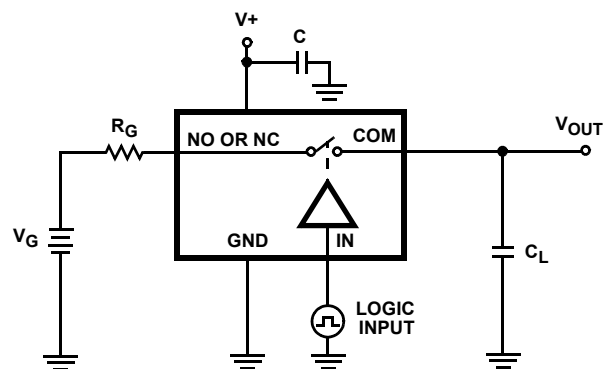


FIGURE 2B. TEST CIRCUIT

# Test Circuits and Waveforms (Continued)

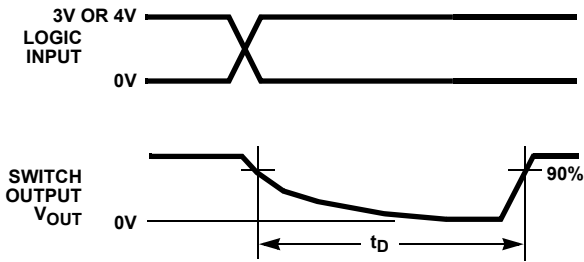
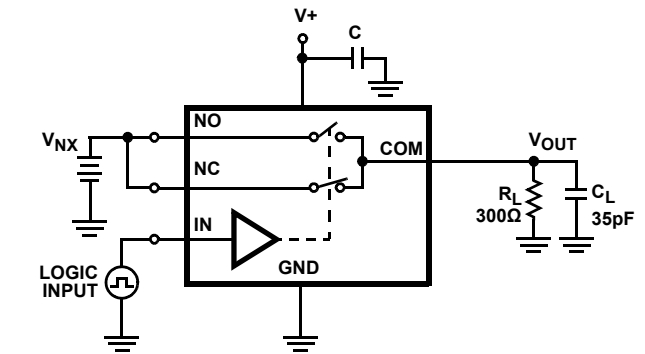


FIGURE 3A. MEASUREMENT POINTS



$C_L$  includes fixture and stray capacitance.

FIGURE 3B. TEST CIRCUIT

FIGURE 3. BREAK-BEFORE-MAKE TIME

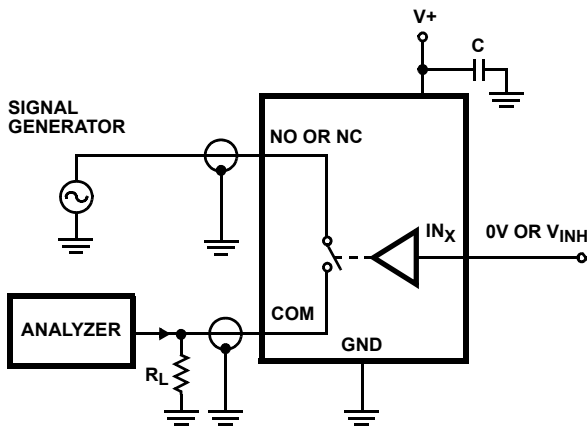


FIGURE 4. OFF ISOLATION TEST CIRCUIT

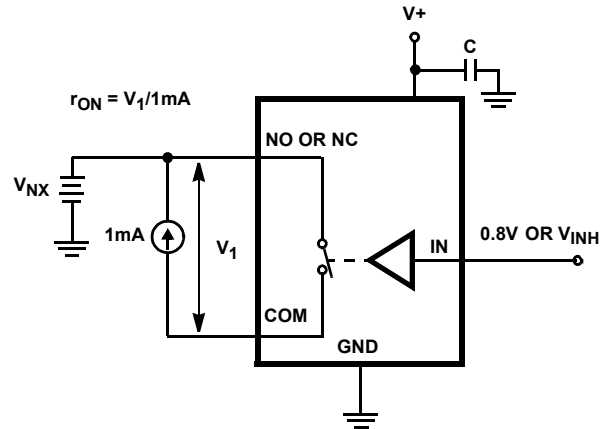


FIGURE 5.  $r_{ON}$  TEST CIRCUIT

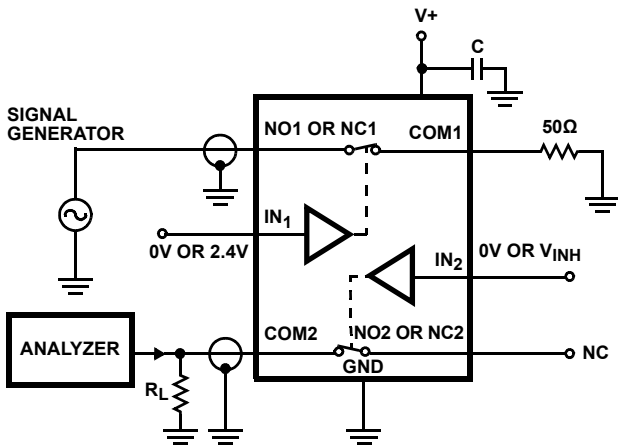


FIGURE 6. CROSSTALK TEST CIRCUIT

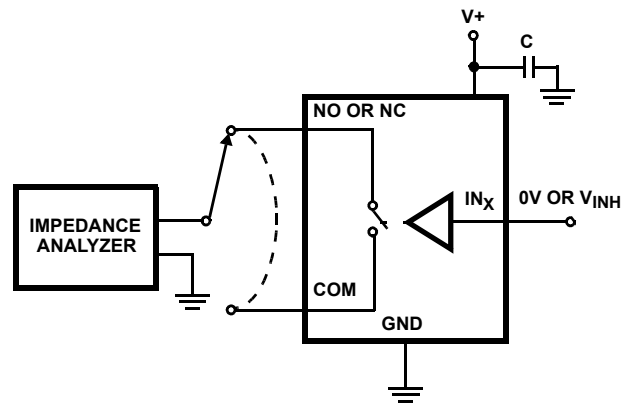


FIGURE 7. CAPACITANCE TEST CIRCUIT

## Detailed Description

The ISL43210A bidirectional, single SPDT analog switch offers precise switching capability from a single 2.7V to 15V supply with low ON-resistance (1.1 $\Omega$ ) and high speed operation.

The device is especially well suited for 3D TV and 3D eyeware equipment thanks to the high single supply operating voltage (15V), low power consumption (27 $\mu$ W max), fast switching speed ( $t_{ON}$  = 25ns,  $t_{OFF}$  = 17ns), and the tiny SOT-23 packaging. High frequency applications also benefit from the wide bandwidth and the very high off isolation rejection.

### Supply Sequencing and Overvoltage Protection

With any CMOS device, proper power supply sequencing is required to protect the device from excessive input currents that might permanently damage the IC. All I/O pins contain ESD protection diodes from the pin to V+ and GND (see Figure 8). To prevent forward biasing these diodes, V+ must be applied before any input signals, and input signal voltages must remain between V+ and GND. If these conditions cannot be guaranteed, then one of the following two protection methods should be employed.

Logic inputs can easily be protected by adding a 1k $\Omega$  resistor in series with the input (see Figure 8). The resistor limits the input current below the threshold that produces permanent damage, and the sub-microamp input current produces an insignificant voltage drop during normal operation.

Adding a series resistor to the switch input defeats the purpose of using a low  $r_{ON}$  switch, so two small signal diodes can be added in series with the supply pins to provide overvoltage protection for all pins (see Figure 8). These additional diodes limit the analog signal from 1V below V+ to 1V above GND. The low leakage current performance is unaffected by this approach, but the switch resistance may increase, especially at low supply voltages.

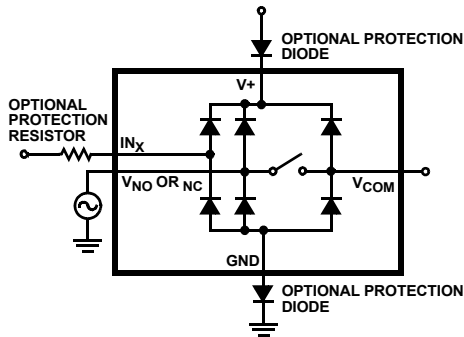


FIGURE 8. OVERVOLTAGE PROTECTION

### Power-Supply Considerations

The ISL43210A construction is typical of most CMOS analog switches, except that it has only two supply pins: V+ and GND. V+ and GND drive the internal CMOS switches and set their analog voltage limits. Unlike switches with a 1.3V absolute maximum voltage, the ISL43210A 16.5V absolute maximum supply voltage provides plenty of room for the 10% tolerance of 15V supplies, as well as room for overshoot and noise spikes.

The minimum recommended supply voltage is 2.7V. It is important to note that the input signal range, switching times, and ON-resistance degrade at lower supply voltages. Refer to the “Electrical Specification” tables beginning on page 3 and “Typical Performance Curves” beginning on page 9 for details.

V+ and GND also power the internal logic and level shifter. The level shifter converts the input logic levels to switch V+ and GND signals to drive the analog switch gate terminals.

This device cannot be operated with bipolar supplies because the input switching point becomes negative in this configuration.

### Logic-Level Thresholds

This switch is TTL compatible (0.8V and 2.4V) over a supply range of 3V to 11V (see Figure 15). At 12V the  $V_{IH}$  level is about 2.5V. This is still below the TTL guaranteed high output minimum level of 2.8V, but noise margin is reduced. For best results with a 12V supply, use a logic family that provides a  $V_{OH}$  greater than 3V.

The digital input stages draw supply current whenever the digital input voltage is not at one of the supply rails. Driving the digital input signals from GND to V+ with a fast transition time minimizes power dissipation.

### High-Frequency Performance

In 50 $\Omega$  systems, signal response is reasonably flat even past 300MHz (see Figure 16). Figure 16 also illustrates that the frequency response is very consistent over a wide V+ range, and for varying analog signal levels.

An OFF switch acts like a capacitor and passes higher frequencies with less attenuation, resulting in signal feed-through from a switch’s input to its output. Off isolation is the resistance to this feed-through. Figure 17 details the high off isolation rejection provided by this part. At 10MHz, off isolation is about 50dB in 50 $\Omega$  systems, decreasing approximately 20dB per decade as frequency increases. Higher load impedances decrease off isolation rejection due to the voltage divider action of the switch OFF impedance and the load impedance.

### Leakage Considerations

Reverse ESD protection diodes are internally connected between each analog-signal pin and both V+ and GND. One of these diodes conducts if any analog signal exceeds V+ or GND.

Virtually all the analog leakage current comes from the ESD diodes to V+ or GND. Although the ESD diodes on a given signal pin are identical and therefore fairly well balanced, they are reverse biased differently. Each is biased by either V+ or GND and the analog signal. This means their leakages will vary as the signal varies. The difference in the two diode leakages to the V+ and GND pins constitutes the analog-signal-path leakage current. All analog leakage current flows between each pin and one of the supply terminals, not to the other switch terminal. This is why both sides of a given switch can show leakage currents of the same or opposite polarity. There is no connection between the analog signal paths and V+ or GND.



**Typical Performance Curves**  $T_A = +25^\circ\text{C}$ , Unless Otherwise Specified.

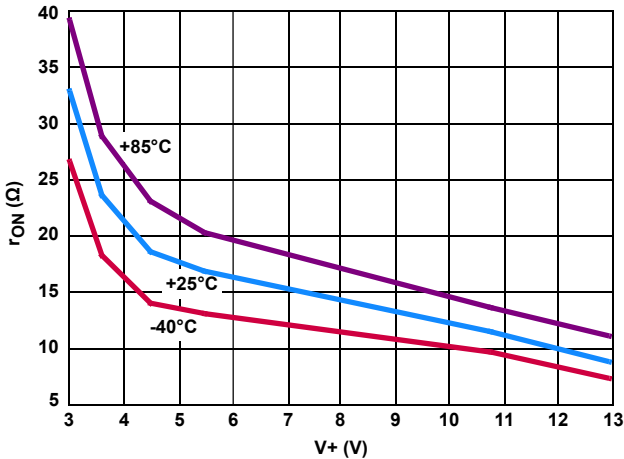


FIGURE 9. ON-RESISTANCE vs SUPPLY VOLTAGE

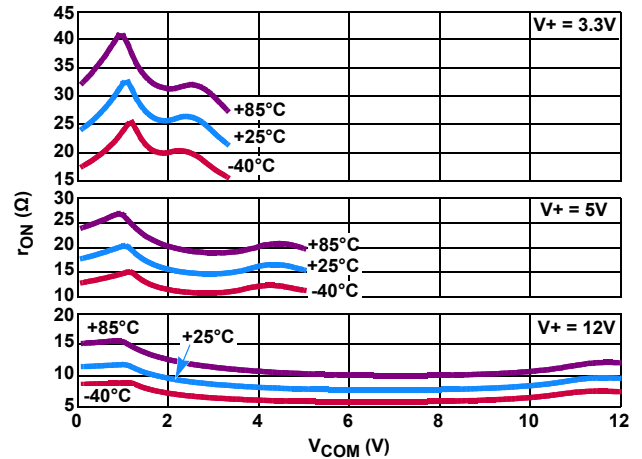


FIGURE 10. ON-RESISTANCE vs SWITCH VOLTAGE

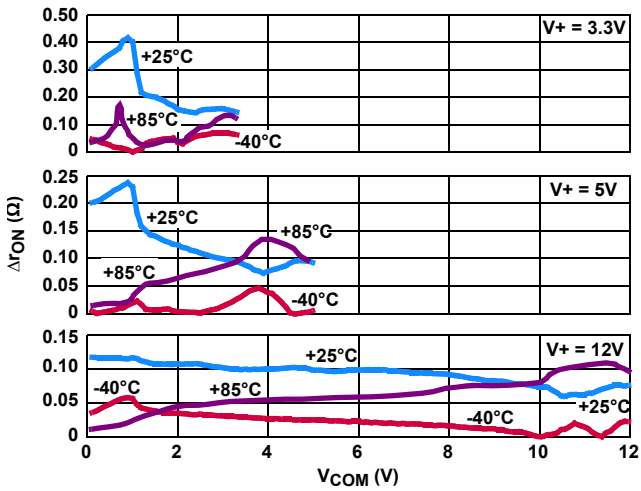


FIGURE 11.  $r_{ON}$  MATCH vs SWITCH VOLTAGE

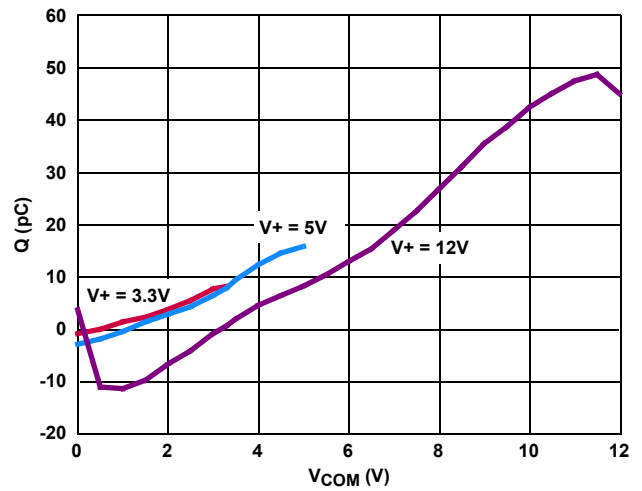


FIGURE 12. CHARGE INJECTION vs SWITCH VOLTAGE

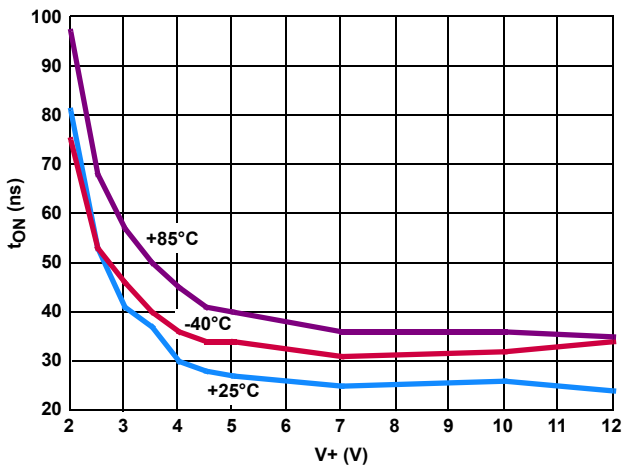


FIGURE 13. TURN-ON TIME vs SUPPLY VOLTAGE

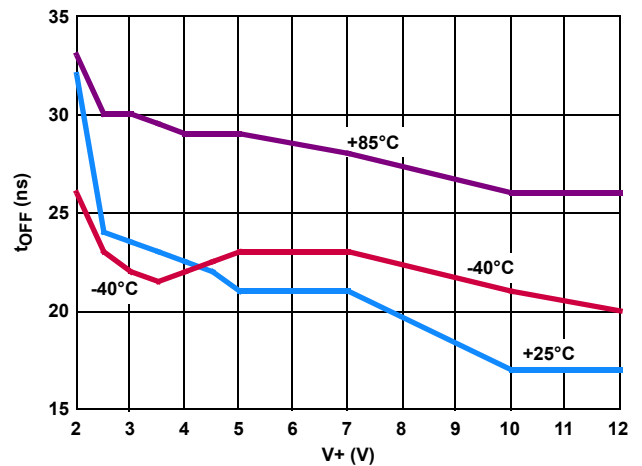


FIGURE 14. TURN-OFF TIME vs SUPPLY VOLTAGE

**Typical Performance Curves**  $T_A = +25^\circ\text{C}$ , Unless Otherwise Specified. (Continued)

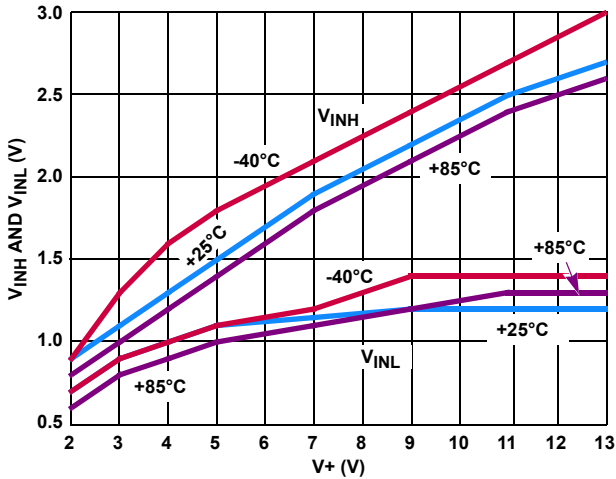


FIGURE 15. DIGITAL SWITCHING POINT vs SUPPLY VOLTAGE

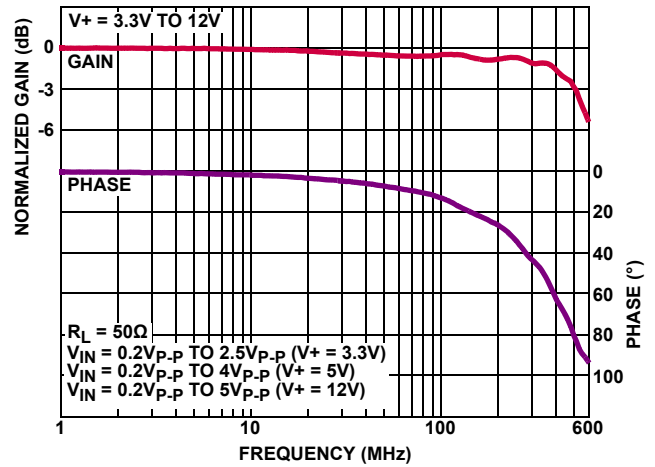


FIGURE 16. FREQUENCY RESPONSE

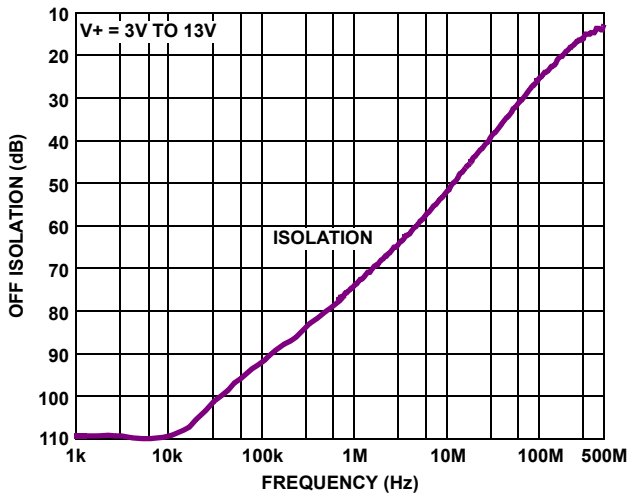


FIGURE 17. OFF ISOLATION

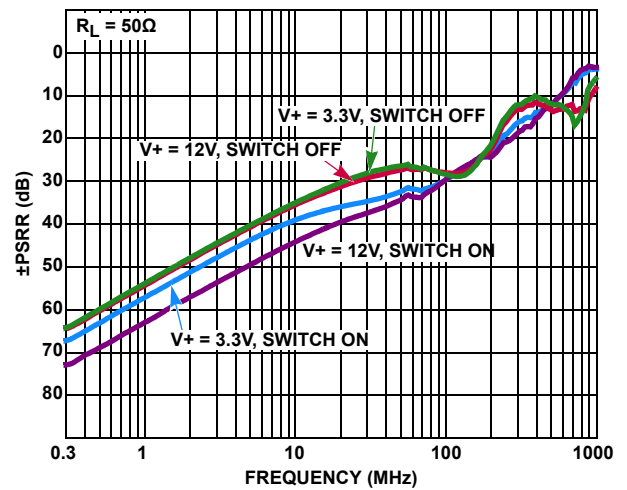


FIGURE 18.  $\pm$ PSRR vs FREQUENCY

**Die Characteristics**

**SUBSTRATE POTENTIAL (POWERED UP):**

GND

**TRANSISTOR COUNT:**

ISL43210A: 58

**PROCESS:**

Si Gate CMOS

## Revision History

The revision history provided is for informational purposes only and is believed to be accurate, but not warranted. Please go to web to make sure you have the latest revision.

| DATE          | REVISION | CHANGE          |
|---------------|----------|-----------------|
| June 24, 2011 | FN7876.0 | Initial release |

## Products

Intersil Corporation is a leader in the design and manufacture of high-performance analog semiconductors. The Company's products address some of the industry's fastest growing markets, such as, flat panel displays, cell phones, handheld products, and notebooks. Intersil's product families address power management and analog signal processing functions. Go to [www.intersil.com/products](http://www.intersil.com/products) for a complete list of Intersil product families.

\*For a complete listing of Applications, Related Documentation and Related Parts, please see the respective device information page on intersil.com: [ISL43210A](http://www.intersil.com/ISL43210A)

To report errors or suggestions for this datasheet, please go to: [www.intersil.com/askourstaff](http://www.intersil.com/askourstaff)

FITs are available from our website at: <http://rel.intersil.com/reports/search.php>

© Copyright Intersil Americas LLC 2011. All Rights Reserved.

All trademarks and registered trademarks are the property of their respective owners.

For additional products, see [www.intersil.com/en/products.html](http://www.intersil.com/en/products.html)

Intersil products are manufactured, assembled and tested utilizing ISO9001 quality systems as noted in the quality certifications found at [www.intersil.com/en/support/qualandreliability.html](http://www.intersil.com/en/support/qualandreliability.html)

*Intersil products are sold by description only. Intersil may modify the circuit design and/or specifications of products at any time without notice, provided that such modification does not, in Intersil's sole judgment, affect the form, fit or function of the product. Accordingly, the reader is cautioned to verify that datasheets are current before placing orders. Information furnished by Intersil is believed to be accurate and reliable. However, no responsibility is assumed by Intersil or its subsidiaries for its use; nor for any infringements of patents or other rights of third parties which may result from its use. No license is granted by implication or otherwise under any patent or patent rights of Intersil or its subsidiaries.*

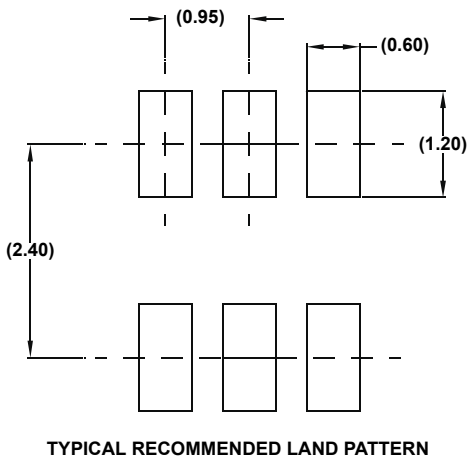
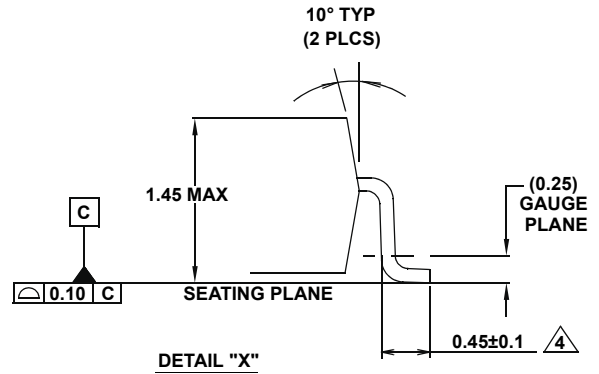
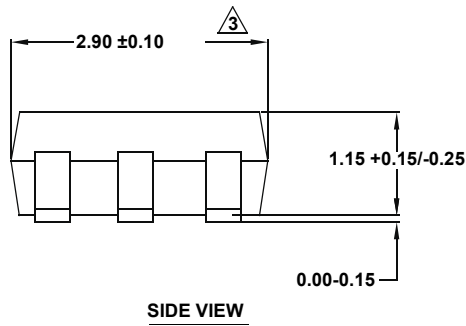
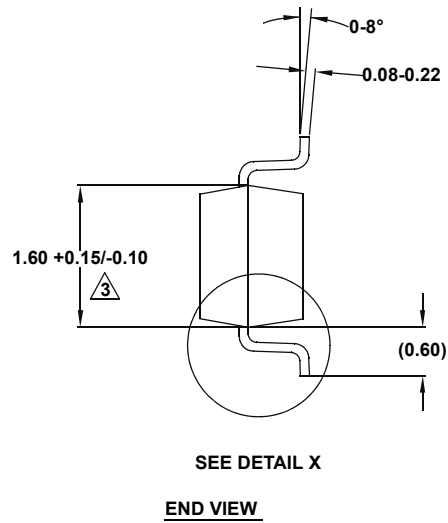
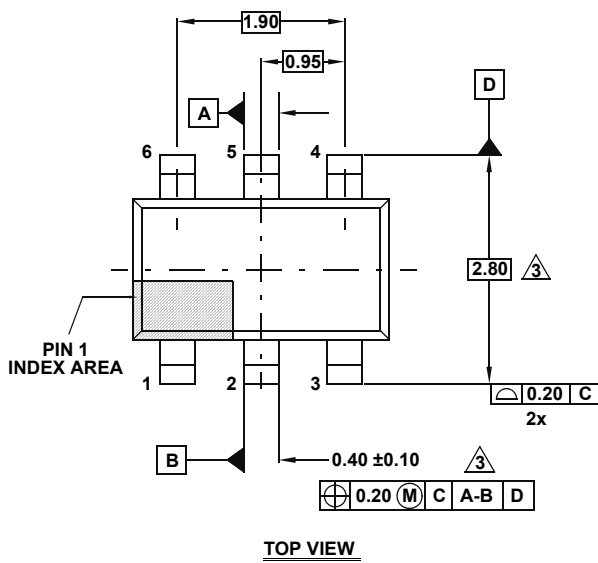
For information regarding Intersil Corporation and its products, see [www.intersil.com](http://www.intersil.com)

# Package Outline Drawing

## P6.064

### 6 LEAD SMALL OUTLINE TRANSISTOR PLASTIC PACKAGE

Rev 4, 2/10



**NOTES:**

1. Dimensions are in millimeters.  
Dimensions in ( ) for Reference Only.
2. Dimensioning and tolerancing conform to ASME Y14.5M-1994.
3. Dimension is exclusive of mold flash, protrusions or gate burrs.
4. Foot length is measured at reference to gauge plane.
5. Package conforms to JEDEC MO-178AB.

Компания «Океан Электроники» предлагает заключение долгосрочных отношений при поставках импортных электронных компонентов на взаимовыгодных условиях!

Наши преимущества:

- Поставка оригинальных импортных электронных компонентов напрямую с производств Америки, Европы и Азии, а так же с крупнейших складов мира;
- Широкая линейка поставок активных и пассивных импортных электронных компонентов (более 30 млн. наименований);
- Поставка сложных, дефицитных, либо снятых с производства позиций;
- Оперативные сроки поставки под заказ (от 5 рабочих дней);
- Экспресс доставка в любую точку России;
- Помощь Конструкторского Отдела и консультации квалифицированных инженеров;
- Техническая поддержка проекта, помощь в подборе аналогов, поставка прототипов;
- Поставка электронных компонентов под контролем ВП;
- Система менеджмента качества сертифицирована по Международному стандарту ISO 9001;
- При необходимости вся продукция военного и аэрокосмического назначения проходит испытания и сертификацию в лаборатории (по согласованию с заказчиком);
- Поставка специализированных компонентов военного и аэрокосмического уровня качества (Xilinx, Altera, Analog Devices, Intersil, Interpoint, Microsemi, Actel, Aeroflex, Peregrine, VPT, Syfer, Eurofarad, Texas Instruments, MS Kennedy, Miteq, Cobham, E2V, MA-COM, Hittite, Mini-Circuits, General Dynamics и др.);

Компания «Океан Электроники» является официальным дистрибьютором и эксклюзивным представителем в России одного из крупнейших производителей разъемов военного и аэрокосмического назначения «**JONHON**», а так же официальным дистрибьютором и эксклюзивным представителем в России производителя высокотехнологичных и надежных решений для передачи СВЧ сигналов «**FORSTAR**».



## JONHON

«**JONHON**» (основан в 1970 г.)

Разъемы специального, военного и аэрокосмического назначения:

(Применяются в военной, авиационной, аэрокосмической, морской, железнодорожной, горно- и нефтедобывающей отраслях промышленности)

«**FORSTAR**» (основан в 1998 г.)

ВЧ соединители, коаксиальные кабели,  
кабельные сборки и микроволновые компоненты:

(Применяются в телекоммуникациях гражданского и специального назначения, в средствах связи, РЛС, а так же военной, авиационной и аэрокосмической отраслях промышленности).



Телефон: 8 (812) 309-75-97 (многоканальный)

Факс: 8 (812) 320-03-32

Электронная почта: [ocean@oceanchips.ru](mailto:ocean@oceanchips.ru)

Web: <http://oceanchips.ru/>

Адрес: 198099, г. Санкт-Петербург, ул. Калинина, д. 2, корп. 4, лит. А