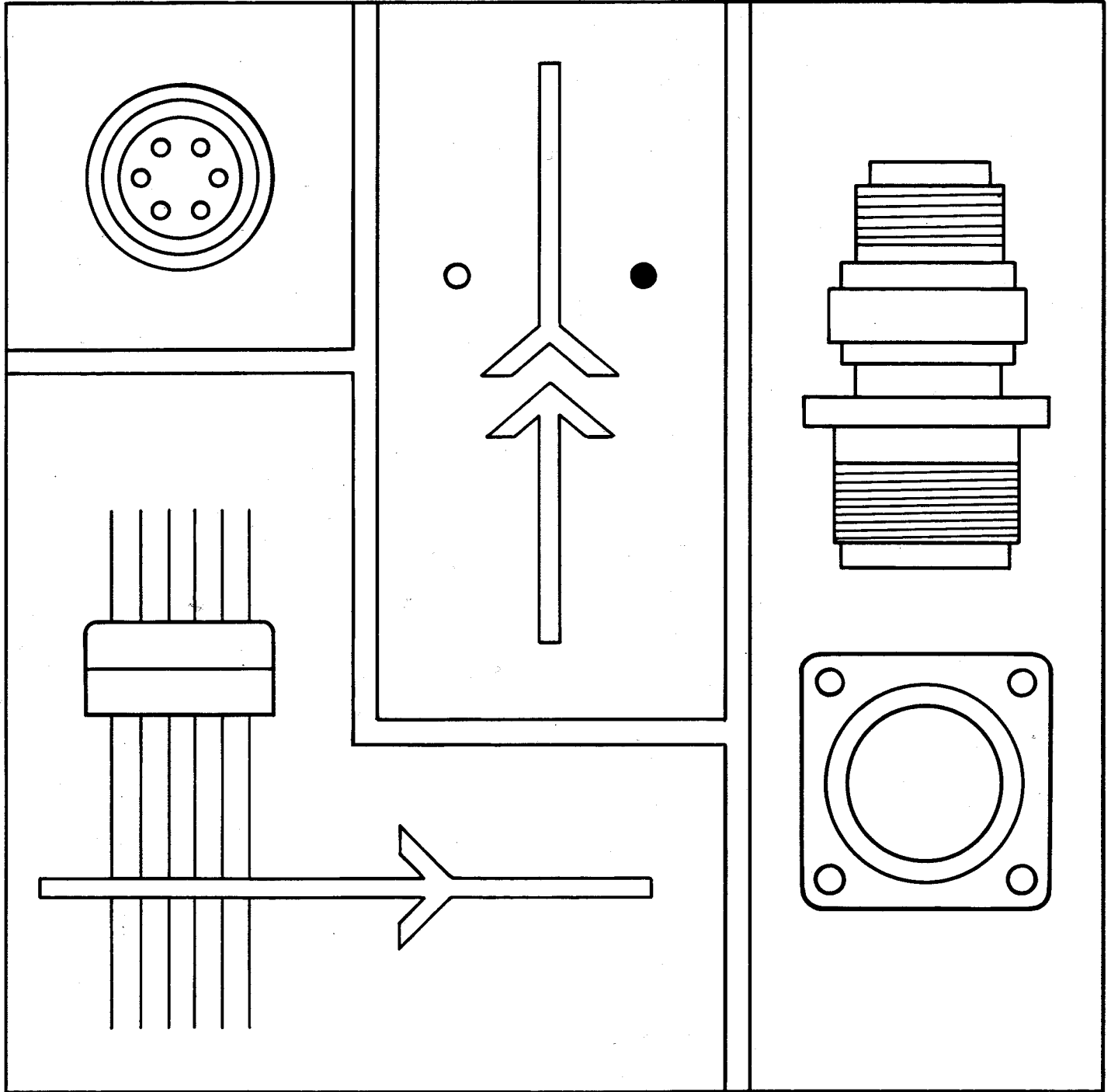


Amphenol® MS Modified Cylindrical Connectors

12-021-5



Amphenol

Table of Contents

Page

Introduction	1
MS Modified Connectors (Solder Type)	
FP3106 flange mounting plug	2
*10-72008/40 wall mounting plug	3
*10-72108/40 cable connecting plug	4
*10-72608/40 straight plug	5
10-72808/40 90 degree plug	6
TBF thru-bulkhead receptacle	7
10-74108/28 (sealed) jam nut receptacle, 10-74708/40 (pressurized) jam nut receptacle	8
10-87308/40 (thin wall) jam nut receptacle	9
10-87408/40 (back skirt) jam nut receptacle	10
SC00P (potting) wall mounting receptacle	11
SC01P (potting) cable connecting plug	12
SC06P (potting) straight plug	13
MS Modified Connectors (Crimp Type)	
10-214008/40 wall mounting receptacle	14
10-214108/40 cable connecting plug	15
10-214208/40 box mounting receptacle	16
10-214608/40 straight plug	17
10-214808/40 90 degree plug	18
10-214908/40 45 degree plug	19
Accessories and application tools for 10-214XXX series	20

* NOTE: This shell style is available in the 10-109000 series, which provides a longer backshell for customers requiring additional stripping distance, and also utilizes grounding screws on the clamping nut.

Should more information be required concerning the connectors covered in this publication, or if special application needs arise, please contact your nearest Amphenol sales office or Amphenol Corporation at the following address:

Amphenol Corporation
Amphenol Aerospace
40-60 Delaware Avenue
Sidney, New York 13838
Telephone: 607-563-5011
Fax: 607-563-5157

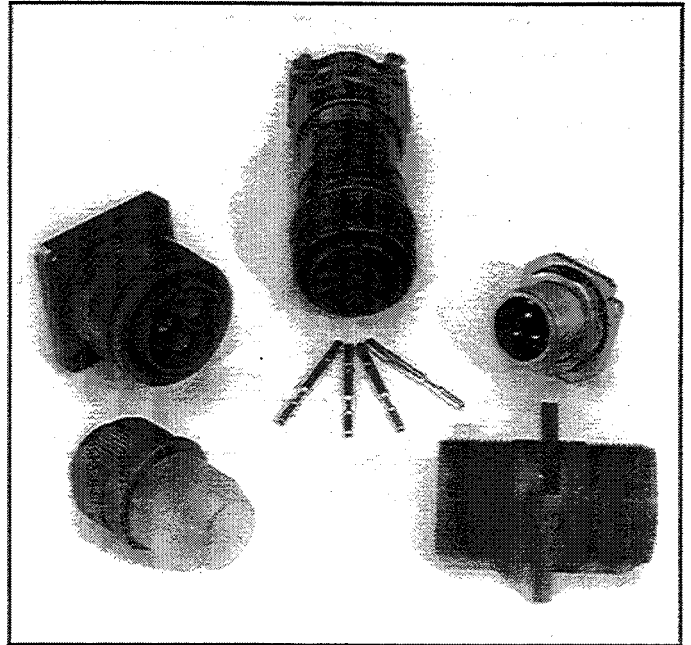
Amphenol Aerospace is an ISO 9001 Certified Manufacturer.

Amphenol® MS Modified Cylindrical Connectors

The Amphenol® MS Modified connector series has been established to supplement standard MS shell styles and provide a greater variety of styles for the electrical connector user.

The MS and MS Modified series offer the same insert arrangements and electrical ratings as illustrated and tabulated in the "Contacts and Arrangements" section of Amphenol Catalog 12-020. In addition, the MS Modified series is available with special arrangements, also shown in Catalog 12-020. Standard MS coupling threads and polarization are employed. Aluminum components are cadmium plated with either an olive drab chromate or clear chromate after treatment. Contacts are fabricated from high grade copper alloys and are generally silver plated. Size 16 and 12 socket contacts incorporate a closed entry design.

Also offered as an MS Modified type is the 10-214XXX series connector (see pages 14 to 21). This versatile series utilizes insertable crimp type contacts, and is designed to accommodate Navy controlled multi-conductor armored cable per MIL-C-915 or MIL-C-2194. Contacts are silver plated with a 30/50 micro-inch gold overplate. Application tooling is fully coordinated and available with the 10-214XXX series.



How to Order

If the MS Modified connector desired is a 10-order number (for example, 10-720XX, page 3) use order information below. If the connector desired is not a 10-order number (for example, FP3106-XX, page 2) use the order information supplied on the bottom of the page covering that connector.

FOR 10- ORDER NUMBERS

- (1) Select the desired base 10-order number. To this base number add desired contact arrangement from the "Contacts and Arrangements" section. Add "P" or "S" to specify pin or socket contacts. A complete order number for a 10-72008/40 wall mounting receptacle in shell size 18 with an MS arrangement of 18-1 with pin contacts and with the insert in the normal position is: 10-72018-1P

FOR ALTERNATE POSITIONING

- (2) When an alternate position of the insert is required, this is indicated by adding another letter such as "W" to the ordering number listed in (1) above. When alternate insert location is desired, see alternate positioning page of Catalog 12-020, and then select from the tables at right the one letter that indicates both the kind of contacts and the insert location you require. Add this letter to the order number.

PIN CONTACTS	
MS Letters	Amphenol® Letter
PW	G
PX	I
PY	K
PZ	M

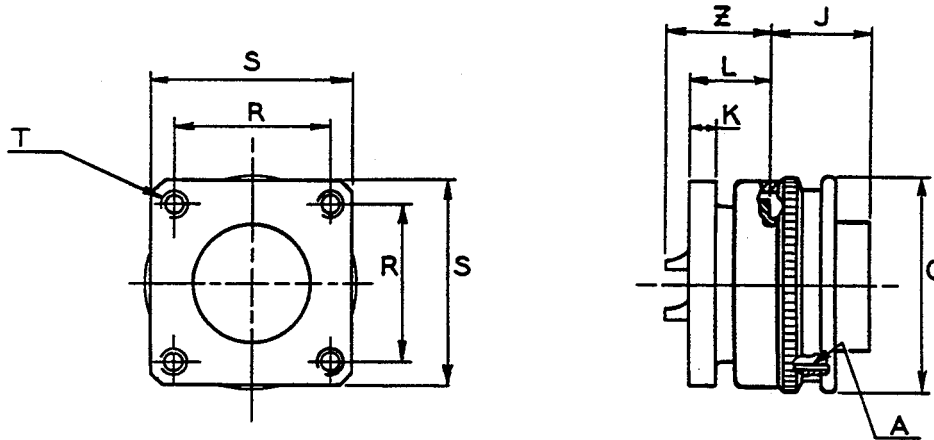
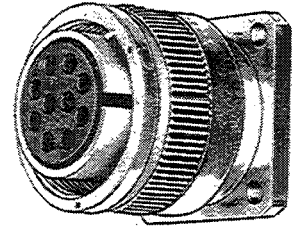
SOCKET CONTACTS	
MS Letter	Amphenol® Letter
SW	H
SX	J
SY	L
SZ	N

The order number for a 10-72008/40 wall mounting receptacle in shell size 18 with an MS arrangement of 18-1 with pin contacts and with the insert located in alternate position "W" would be: 10-72018-1G

FP3106

flange mounting plug

- For console type applications
- Compatibility with MS receptacles
- Class A, general duty, specification MIL-C-5015
- Class C, pressurized, specification MIL-C-5015
- Olive drab chromate over cadmium finish
(also clear chromate available)



For contact data see Catalog 12-020.
All lockwire holes .045 Dia. Min.

MS Shell Size	Order Number** Class A or C	A Thread Class 2B	J ±.005	K ±.005	L ±.020	Q Dia. Max.	R ±.005	S ±.020	T Thread Class 2B	Z ±.045
8S	FP3106-8S-	.5000-28UNEF	.531	.125	.438	.732	.562	.781	4-40NC	.562
10S	FP3106-10S-	.6250-24NEF	.531	.125	.438	.844	.562	.781	4-40NC	.562
10SL	FP3106-10SL-	.6250-24NEF	.531	.126	.438	.946	.562	.781	4-40NC	.562
12S	FP3106-12S-	.7500-20UNEF	.531	.156	.438	.987	.812	1.062	4-40NC	.562
12	FP3106-12-	.7500-20UNEF	.719	.156	.688	.987	.812	1.062	4-40NC	.812
14S	FP3106-14S-	.8750-20UNEF	.531	.156	.438	1.114	.812	1.062	4-40NC	.562
14	FP3106-14-	.8750-20UNEF	.719	.156	.688	1.114	.812	1.062	4-40NC	.812
16S	FP3106-16S-	1.0000-20UNEF	.531	.156	.438	1.226	1.000	1.312	6-32NC	.562
16	FP3106-16-	1.0000-20UNEF	.719	.156	.688	1.226	1.000	1.312	6-32NC	.812
18	FP3106-18-	1.1250-18NEF	.719	.156	.687	1.353	1.000	1.312	6-32NC	.812*
20	FP3106-20-	1.2500-18NEF	.719	.188	.687	1.483	1.250	1.625	10-32NF	.812*
22	FP3106-22-	1.3750-18NEF	.719	.188	.687	1.608	1.250	1.625	10-32NF	.812*
24	FP3106-24-	1.5000-18NEF	.719	.188	.687	1.735	1.562	2.000	10-32NF	.812*
28	FP3106-28-	1.7500-18NS	.719	.188	.687	1.971	1.562	2.000	10-32NF	.812*
32	FP3106-32-	2.0000-18NS	.719	.250	.781	2.228	1.812	2.500	10-32NF	.812*
36	FP3106-36-	2.2500-16UN	.719	.250	.781	2.483	1.812	2.500	10-32NF	.812*
40	FP3106-40-	2.5000-16UN	.719	.250	.781	2.737	2.250	3.031	10-32NF	.812*

* Increase Z dimension, so marked (*), by .312 for size "0" contact only.

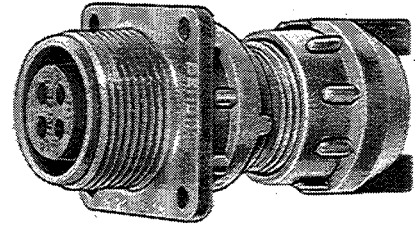
HOW TO ORDER

** To order, select base number (Class A or C) and shell size;
Add insert arrangement from "Contact and Arrangements" section,
Catalog 12-020. Add P for pins or S for sockets.
Example: FP3106A-18-1P or FP3106C-18-1P.

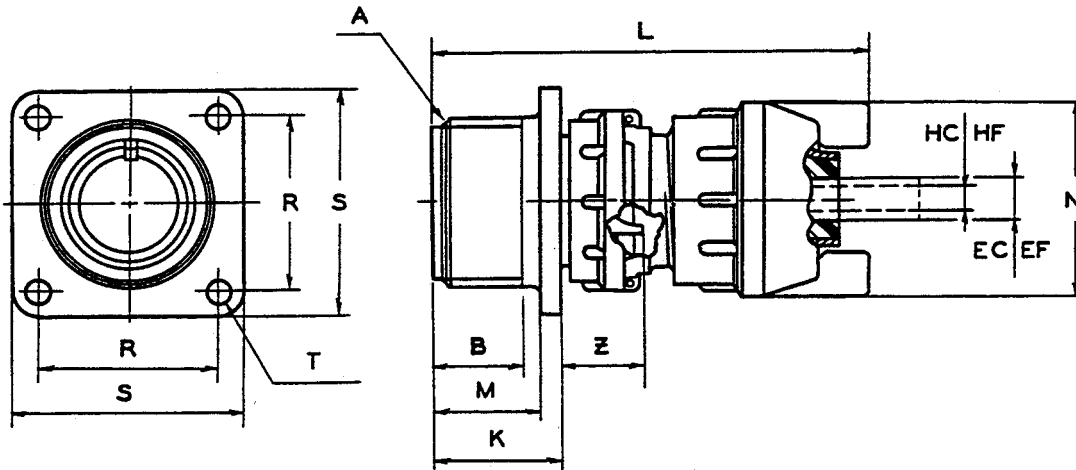
10-72008/40

wall mounting receptacle

- For multi-conductor cable
- Sealing gaskets at all mating surfaces
- Olive drab chromate over cadmium plate finish
- Axial compression type clamping nut provides strain relief and cable sealing



NOTE: This shell style is available in the 10-109000 series which provides a longer backshell for customers requiring additional stripping distance and also utilizes grounding screws on the clamping nut.



For contact data see Catalog 12-020.

All lockwire holes .045 Dia. Min. (adapter size 8 to 20 only).

NOTE: Available as an accessory, the MS3420A sleeving is represented by HC & HF dimensions. Tabulation appears on page 6.

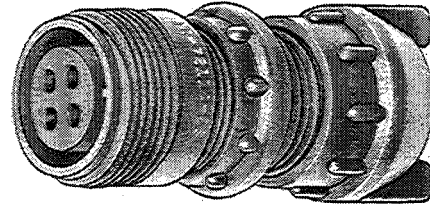
MS Shell Size	Order Number	A Thread Class 2A	B Min. Full Thd.	EF Free	EC Closed	K +.020 -0.010	L Max.	M +.010 -0.000	N Dia. Max.	R ±.005	S ±.020	T Dia. +.004 -0.002	Z +.050 -0.060
8S	10-72008-	.5000-28UNEF	.391	.219	.027	.672	2.179	.562	.807	.594	.875	.120	.422
10S	10-72010-	.6250-24NEF	.391	.219	.027	.672	2.202	.562	.807	.719	1.000	.120	.422
10SL	10-72011-	.6250-24NEF	.391	.312	.094	.672	2.327	.562	.901	.719	1.000	.120	.422
12S	10-72012-	.7500-20UNEF	.450	.312	.094	.672	2.202	.562	.901	.812	1.094	.120	.422
12	10-72013-	.7500-20UNEF	.625	.312	.094	.860	2.577	.750	.901	.812	1.094	.120	.672
14S	10-72014-	.8750-20UNEF	.450	.438	.230	.672	2.202	.562	1.026	.906	1.188	.120	.422
14	10-72015-	.8750-20UNEF	.625	.438	.230	.860	2.577	.750	1.026	.906	1.188	.120	.672
16S	10-72016-	1.0000-20UNEF	.450	.531	.316	.672	2.202	.562	1.119	.969	1.281	.120	.422
16	10-72017-	1.0000-20UNEF	.625	.531	.316	.860	2.577	.750	1.119	.969	1.281	.120	.672
18	10-72018-	1.1250-18NEF	.625	.625	.378	.891	2.604	.750	1.229	1.063	1.375	.120	.641*
20	10-72020-	1.2500-18NEF	.625	.750	.500	.891	2.717	.750	1.479	1.156	1.500	.120	.641*
22	10-72022-	1.3750-18NEF	.625	.750	.500	.891	2.727	.750	1.479	1.250	1.625	.120	.641*
24	10-72024-	1.5000-18NEF	.625	.938	.611	.953	2.789	.812	1.666	1.375	1.750	.147	.578*
28	10-72028-	1.7500-18NS	.625	.938	.611	.953	3.007	.812	1.666	1.562	2.000	.147	.578*
32	10-72032-	2.0000-18NS	.625	1.250	.922	1.031	3.035	.875	2.135	1.750	2.250	.173	.500*
36	10-72036-	2.2500-16UN	.625	1.375	.922	1.031	3.302	.875	2.260	1.938	2.500	.173	.500*
40	10-72040-	2.5000-16UN	.625	1.625	1.180	1.031	3.302	.875	2.510	2.188	2.750	.173	.500*

* Increase Z dimension, so marked (*), by .312 for size "0" contact only.

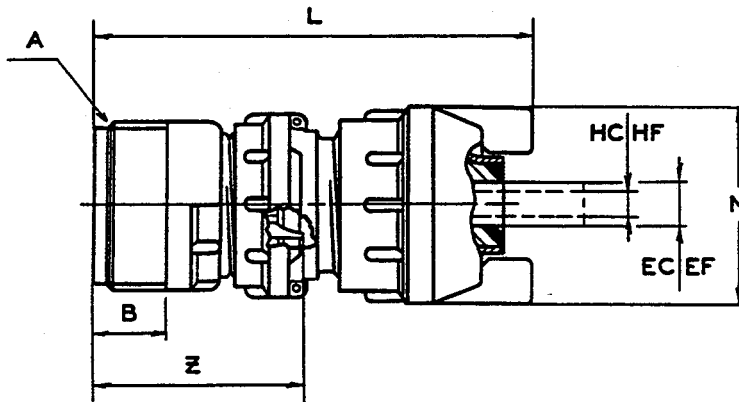
10-72108/40

cable connecting plug

- For multi-conductor cable
- Sealing gaskets at all mating surfaces
- Olive drab chromate over cadmium plate finish
- Axial compression type clamping nut provides strain relief and cable sealing



NOTE: This shell style is available in the 10-109000 series which provides a longer backshell for customers requiring additional stripping distance and also utilizes grounding screws on the clamping nut.



For contact data see Catalog 12-020.

All lockwire holes .045 Dia. Min. (adapter size 8 to 20 only).

NOTE: Available as an accessory, the MS3420A sleeving is represented by HC & HF dimensions. Tabulation appears on page 6.

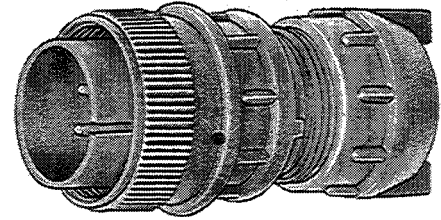
MS Shell Size	Order Number	A Thread Class 2A	B Min. Full Thd.	EF Free	EC Closed	L Max.	N Dia. Max.	Z ±.040
8S	10-72108-	.5000-28UNEF	.406	.219	.027	2.179	.807	1.094
10S	10-72110-	.6250-24NEF	.406	.219	.027	2.202	.807	1.094
10SL	10-72111-	.6250-24NEF	.406	.312	.094	2.327	.901	1.094
12S	10-72112-	.7500-20UNEF	.422	.312	.094	2.202	.901	1.094
12	10-72113-	.7500-20UNEF	.656	.312	.094	2.577	.901	1.532
14S	10-72114-	.8750-20UNEF	.391	.438	.230	2.202	1.026	1.094
14	10-72115-	.8750-20UNEF	.625	.438	.230	2.577	1.026	1.532
16S	10-72116-	1.0000-20UNEF	.391	.531	.316	2.202	1.119	1.094
16	10-72117-	1.0000-20UNEF	.625	.531	.316	2.577	1.119	1.532
18	10-72118-	1.1250-18NEF	.625	.625	.378	2.604	1.229	1.532*
20	10-72120-	1.2500-18NEF	.625	.750	.500	2.717	1.479	1.532*
22	10-72122-	1.3750-18NEF	.625	.750	.500	2.727	1.479	1.532*
24	10-72124-	1.5000-18NEF	.625	.938	.611	2.789	1.666	1.532*
28	10-72128-	1.7500-18NS	.625	.938	.611	3.007	1.666	1.532*
32	10-72132-	2.0000-18NS	.625	1.250	.922	3.035	2.135	1.532*
36	10-72136-	2.2500-16UN	.625	1.375	.922	3.302	2.260	1.532*
40	10-72140-	2.5000-16UN	.625	1.625	1.180	3.302	2.510	1.532*

* Increase Z dimension, so marked (*), by .312 for size "0" contact only.

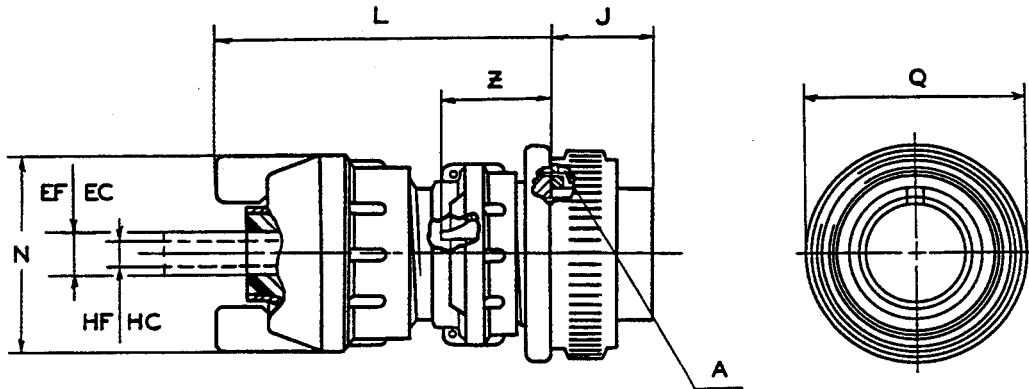
10-72608/40

straight plug

- For multi-conductor cable
- Sealing gaskets at all mating surfaces
- Olive drab chromate over cadmium plate finish
- Axial compression type clamping nut provides strain relief and cable sealing



NOTE: This shell style is available in the 10-109000 series which provides a longer backshell for customers requiring additional stripping distance and also utilizes grounding screws on the clamping nut.



For contact data see Catalog 12-020.

All lockwire holes .045 Dia. Min. (adapter size 8 to 20 only).

NOTE: Available as an accessory, the MS3420A sleeving is represented by HC & HF dimensions. Tabulation appears on page 6.

MS Shell Size	Order Number	A Thread Class 2B	EF Free	EC Closed	J $\pm .005$	L Max.	N Dia. Max.	Q Dia.	Z $\pm .045$
8S	10-72608-	.5000-28UNEF	.219	.027	.531	1.648	.807	.750	.562
10S	10-72610-	.6250-24NEF	.219	.027	.531	1.671	.807	.875	.562
10SL	10-72611-	.6250-24NEF	.312	.094	.531	1.785	.901	.946	.562
12S	10-72612-	.7500-20UNEF	.312	.094	.531	1.671	.901	1.000	.562
12	10-72613-	.7500-20UNEF	.312	.094	.719	1.858	.901	1.000	.812
14S	10-72614-	.8750-20UNEF	.438	.230	.531	1.671	1.026	1.125	.562
14	10-72615-	.8750-20UNEF	.438	.230	.719	1.858	1.026	1.125	.812
16S	10-72616-	1.0000-20UNEF	.531	.316	.531	1.671	1.119	1.250	.562
16	10-72617-	1.0000-20UNEF	.531	.316	.719	1.858	1.119	1.250	.812
18	10-72618-	1.1250-18NEF	.625	.378	.719	1.885	1.229	1.344	.812*
20	10-72620-	1.2500-18NEF	.750	.445	.719	1.998	1.479	1.469	.812*
22	10-72622-	1.3750-18NEF	.750	.445	.719	2.008	1.479	1.594	.812*
24	10-72624-	1.5000-18NEF	.938	.611	.719	2.071	1.666	1.719	.812*
28	10-72628-	1.7500-18NS	.938	.611	.719	2.289	1.666	1.969	.812*
32	10-72632-	2.0000-18NS	1.250	.922	.719	2.316	2.135	2.219	.812*
36	10-72636-	2.2500-16UN	1.375	.922	.719	2.583	2.260	2.470	.812*
40	10-72640-	2.5000-16UN	1.625	1.180	.719	2.583	2.510	2.719	.812*

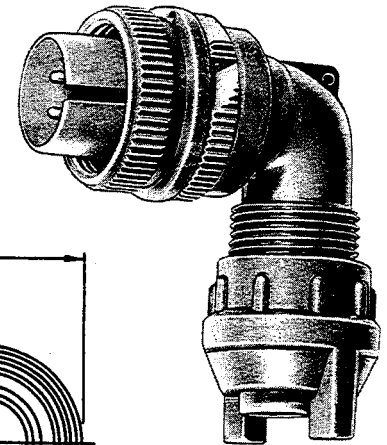
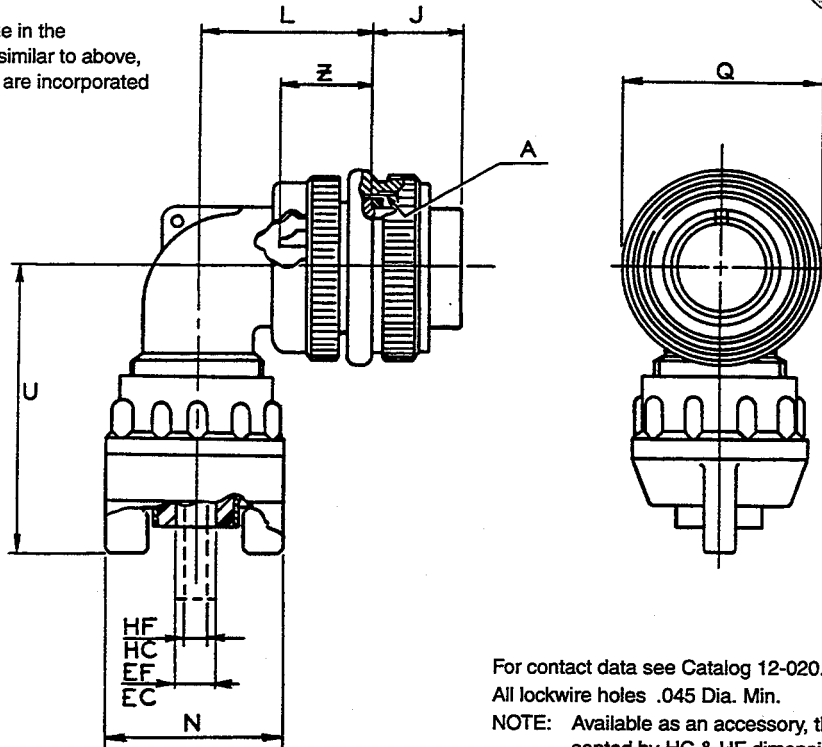
* Increase Z dimension, so marked (*), by .312 for size "0" contact only.

10-72808/40

90° plug

- For multi-conductor cable
- Sealing gaskets at all mating surfaces
- Olive drab chromate over cadmium plate finish
- Axial compression type clamping nut provides strain relief and cable sealing

NOTE: This shell style is available in the 10-109800 series and is similar to above, except grounding screws are incorporated on the clamping nut.



For contact data see Catalog 12-020.

All lockwire holes .045 Dia. Min.

NOTE: Available as an accessory, the MS3420A sleeving is represented by HC & HF dimensions. Tabulation appears below.

MS Shell Size	Order Number	A Thread Class 2B	EF Free	EC Closed	J ±.005	L Max.	N Dia. Max.	Q Dia.	U Max.	Z ±.045
8S	10-72808-	.5000-28UNEF	.219	.027	.531	.927	.807	.750	1.550	.562
10S	10-72810-	.6250-24NEF	.219	.027	.531	.927	.807	.875	1.550	.562
10SL	10-72811-	.6250-24NEF	.312	.094	.531	.951	.901	.946	1.613	.562
12S	10-72812-	.7500-20UNEF	.312	.094	.531	.956	.901	1.000	1.613	.562
12	10-72813-	.7500-20UNEF	.312	.094	.719	1.143	.901	1.000	1.613	.812
14S	10-72814-	.8750-20UNEF	.438	.230	.531	1.020	1.026	1.125	1.675	.562
14	10-72815-	.8750-20UNEF	.438	.230	.719	1.207	1.026	1.125	1.675	.812
16S	10-72816-	1.0000-20UNEF	.531	.316	.531	1.146	1.119	1.250	1.738	.562
16	10-72817-	1.0000-20UNEF	.531	.316	.719	1.333	1.119	1.250	1.738	.812
18	10-72818-	1.1250-18NEF	.625	.378	.719	1.395	1.229	1.344	1.859	.812*
20	10-72820-	1.2500-18NEF	.750	.500	.719	1.598	1.479	1.469	2.034	.812*
22	10-72822-	1.3750-18NEF	.750	.500	.719	1.598	1.479	1.594	1.971	.812*
24	10-72824-	1.5000-18NEF	.938	.611	.719	1.786	1.666	1.719	2.096	.812*
28	10-72828-	1.7500-18NS	.938	.611	.719	1.786	1.666	1.969	2.159	.812*
32	10-72832-	2.0000-18NS	1.250	.922	.719	2.020	2.135	2.219	2.546	.812*
36	10-72836-	2.2500-16UN	1.375	.922	.719	2.145	2.260	2.470	2.766	.812*
40	10-72840-	2.5000-16UN	1.625	1.180	.719	2.270	2.510	2.719	2.922	.812*

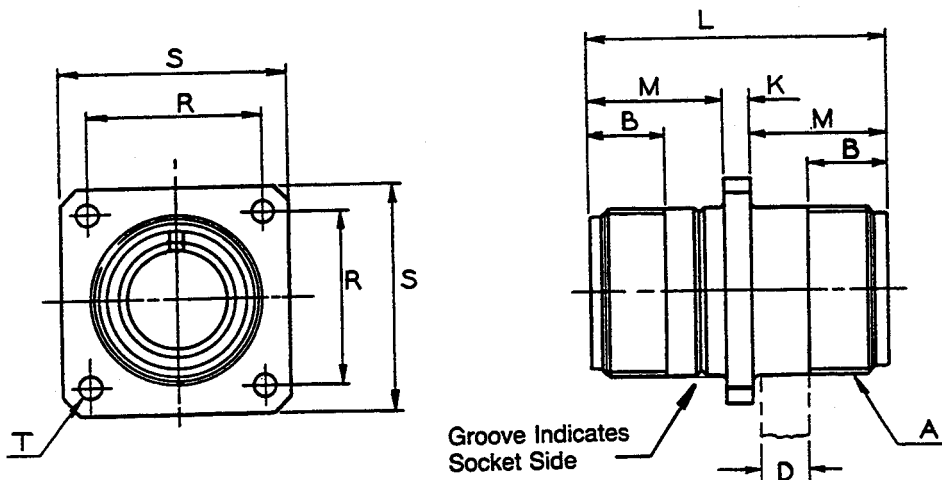
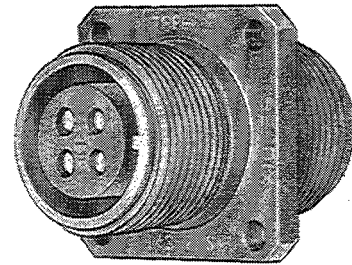
* Increase Z dimension, so marked (*), by .312 for size "0" contact only.

MS Shell Size	Sleeve Order Number	HF Free	HC Closed
8S & 10S	MS3420-3A	.125	.000
10SL, 12 & 12S	MS3420-4A	.219	.010
14 & 14S	MS3420-4A	.219	.020
	MS3420-6A	.312	.114
16 & 16S	MS3420-6A	.312	.085
	MS3420-8A	.438	.222
18	MS3420-6A	.312	.085
	MS3420-10A	.438	.200
20 & 22	MS3420-8A	.438	.177
	MS3420-12A	.541	.270
24 & 28	MS3420-8A	.438	.186
	MS3420-12A	.541	.260
	MS3420-16A	.750	.433
32	MS3420-12A	.541	.273
	MS3420-16A	.750	.442
	MS3420-20A	.938	.620
36	MS3420-16A	.750	.358
	MS3420-18A	.938	.504
	MS3420-24A	1.125	.682
40	MS3420-16A	.750	.368
	MS3420-20A	.938	.514
	MS3420-28A	1.250	.816

TBF

thru-bulkhead receptacle

- Pin and socket double-ended contacts
- Insert rotations viewed from socket end
- Olive drab chromate over cadmium plate finish
- For pressure tight feed-thru of circuits on bulkheads or panels



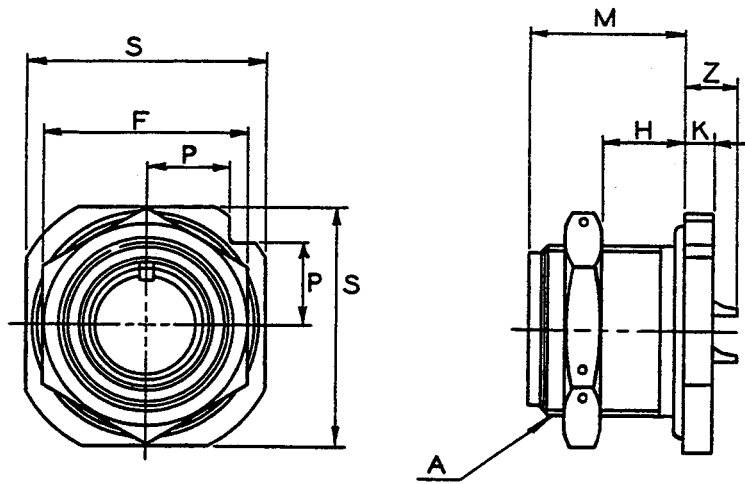
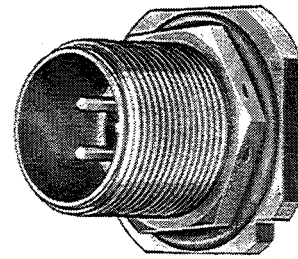
MS Shell Size	TBF Order Number*	A Thread Class 2A	B Min. Full Thread	D Max. Panel Thickness	K Ref.	L ±.015	M +.000 - .010	R ±.005	S ±.020	T Dia. +.004 - .002
8S	TBF-8S-XXPS	.5000-28UNEF	.406	.266	.141	1.563	.711	.594	.875	.120
10S	TBF-10S-XXPS	.6250-24NEF	.406	.266	.141	1.563	.711	.719	1.000	.120
12S	TBF-12S-XXPS	.7500-20UNEF	.406	.266	.141	1.563	.711	.812	1.094	.120
12	TBF-12-XXPS	.7500-20UNEF	.625	.312	.155	2.125	.985	.812	1.094	.120
14S	TBF-14S-XXPS	.8750-20UNEF	.406	.266	.141	1.563	.711	.906	1.188	.120
14	TBF-14-XXPS	.8750-20UNEF	.625	.312	.155	2.125	.985	.906	1.188	.120
16S	TBF-16S-XXPS	1.0000-20UNEF	.406	.266	.141	1.563	.711	.969	1.281	.120
16	TBF-16-XXPS	1.0000-20UNEF	.625	.312	.155	2.125	.985	.969	1.281	.120
18	TBF-18-XXPS	1.1250-18NEF	.625	.312	.155	2.125	.985	1.062	1.375	.120
20	TBF-20-XXPS	1.2500-18NEF	.625	.312	.155	2.125	.985	1.156	1.500	.120
22	TBF-22-XXPS	1.3750-18NEF	.625	.312	.155	2.125	.985	1.250	1.625	.120
24	TBF-24-XXPS	1.5000-18NEF	.625	.312	.155	2.125	.985	1.375	1.750	.147
28	TBF-28-XXPS	1.7500-18NS	.625	.312	.155	2.125	.985	1.562	2.000	.147
32	TBF-32-XXPS	2.0000-18NS	.625	.312	.155	2.125	.985	1.750	2.250	.173
36	TBF-36-XXPS	2.2500-16UN	.625	.312	.155	2.125	.985	1.938	2.500	.173
40	TBF-40-XXPS	2.5000-16UN	.625	.312	.155	2.125	.985	2.188	2.750	.173

HOW TO ORDER

* To order, replace "XX" with insert arrangement from "Contacts and Arrangements" section of Catalog 12-020.
For example: TBF-18-1PS. To order a rotation, an example part number would be: TBF-18-1PSW.

10-74108/28 (sealed) 10-74708/40 (pressurized) jam nut receptacle

- For open bench wiring of harness
- "O" ring gasket provided on flange
- 10-741XX provides less than 1.3×10^{-6} cubic foot/hour air leakage at 15 psi differential
- 10-747XX provides less than 1 cu. in./hour air leakage at 35 psi differential
- Clear chromate over cadmium plate finish



For contact data see Catalog 12-020.

All lockwire holes .045 Dia. Min.

MS Shell Size	Order Number** 10-741XX (Sealed)	Order Number** 10-747XX (Pressurized)	A Thread Class 2A	F Hex ±.016	H Panel Thickness		K ±.005	M ±.010	P ±.010	S ±.010	Z ±.045
					Min.	Max.					
8S	10-74108-	10-74708-	.5000-28UNEF	.688	.094	.267	.156	.812	.309	.875	.281
10S	10-74110-	10-74710-	.6250-24NEF	.812	.094	.267	.156	.812	.354	1.000	.281
10SL	10-74111-	10-74711-	.6250-24NEF	.812	.094	.267	.156	.812	.354	1.000	.281
12S	10-74112-	10-74712-	.7500-20UNEF	.938	.094	.267	.156	.812	.397	1.125	.281
12	10-74113-	10-74713-	.7500-20UNEF	.938	.094	.392	.156	1.188	.397	1.125	.344
14S	10-74114-	10-74714-	.8750-20UNEF	1.062	.094	.204	.156	.812	.442	1.250	.281
14	10-74115-	10-74715-	.8750-20UNEF	1.062	.094	.329	.156	1.188	.442	1.250	.344
16S	10-74116-	10-74716-	1.0000-20UNEF	1.250	.094	.204	.156	.812	.486	1.375	.281
16	10-74117-	10-74717-	1.0000-20UNEF	1.250	.094	.329	.156	1.188	.486	1.375	.344
18	10-74118-	10-74718-	1.1250-18NEF	1.312	.094	.297	.188	1.156	.575	1.625	.375*
20	10-74120-	10-74720-	1.2500-18NEF	1.500	.094	.297	.188	1.156	.619	1.750	.375*
22	10-74122-	10-74722-	1.3750-18NEF	1.562	.094	.297	.188	1.156	.633	1.875	.375*
24	10-74124-	10-74724-	1.5000-18NEF	1.750	.094	.360	.188	1.219	.707	2.000	.312*
28	10-74128-	10-74728-	1.7500-18NS	2.000	.094	.360	.188	1.219	.795	2.250	.312*
32		10-74732	2.0000-18NS	2.188	.094	.392	.219	1.250	.884	2.500	.281*
36		10-74736-	2.2500-16UN	2.438	.094	.329	.219	1.250	.972	2.750	.281*
40		10-74740-	2.5000-16UN	2.812	.094	.329	.219	1.250	1.060	3.000	.281*

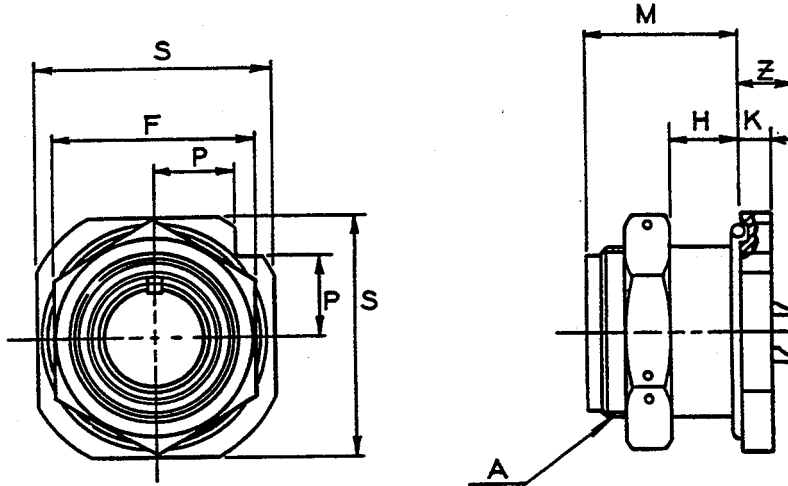
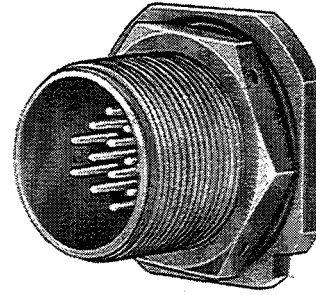
* Increase Z dimension, so marked (*), by .312 for size "0" contact only.

** To order O.D. chromate, change 10-prefix to 71-prefix.

10-87308/40

jam nut receptacle

- For thin wall or panels
- "O" ring gasket provided on flange
- Olive drab chromate over cadmium plate finish



For contact data see Catalog 12-020.
All lockwire holes .045 Dia. Min.

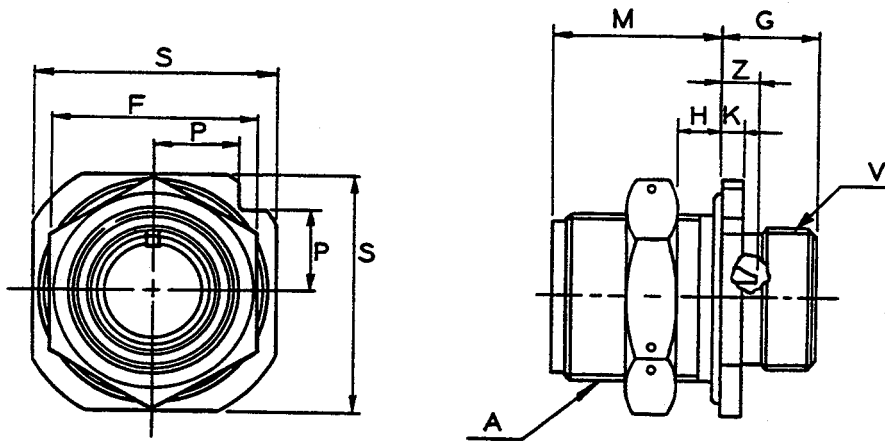
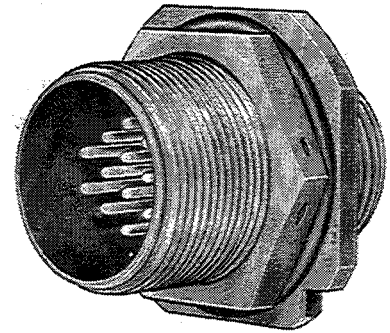
MS Shell Size	Order Number	A Thread Class 2A	F Hex ± 0.016	H Panel Thickness		K ± 0.005	M ± 0.010	P ± 0.010	S ± 0.010	Z ± 0.045
				Min.	Max.					
8S	10-87308-	.5000-28UNEF	.688	.000	.204	.156	.812	.309	.875	.281
10S	10-87310-	.6250-24NEF	.812	.000	.204	.156	.812	.354	1.000	.281
10SL	10-87311-	.6250-24NEF	.812	.000	.204	.156	.812	.354	1.000	.281
12S	10-87312-	.7500-20UNEF	.938	.000	.204	.156	.812	.397	1.125	.281
12	10-87313-	.7500-20UNEF	.938	.000	.329	.156	1.188	.397	1.125	.344
14S	10-87314-	.8750-20UNEF	1.062	.000	.142	.156	.812	.442	1.250	.281
14	10-87315-	.8750-20UNEF	1.062	.000	.267	.156	1.188	.442	1.250	.344
16S	10-87316-	1.0000-20UNEF	1.250	.000	.142	.156	.812	.486	1.375	.281
16	10-87317-	1.0000-20UNEF	1.250	.000	.267	.156	1.188	.486	1.375	.344
18	10-87318-	1.1250-18NEF	1.312	.000	.235	.188	1.156	.575	1.625	.375*
20	10-87320-	1.2500-18NEF	1.500	.000	.235	.188	1.156	.619	1.750	.375*
22	10-87322-	1.3750-18NEF	1.562	.000	.235	.188	1.156	.663	1.875	.375*
24	10-87324-	1.5000-18NEF	1.750	.000	.298	.188	1.219	.707	2.000	.312*
28	10-87328-	1.7500-18NS	2.000	.000	.298	.188	1.219	.795	2.250	.312*
32	10-87332-	2.0000-18NS	2.188	.000	.329	.219	1.250	.884	2.500	.281*
36	10-87336-	2.2500-16UN	2.438	.000	.298	.219	1.250	.972	2.750	.281*
40	10-87340-	2.5000-16UN	2.812	.000	.298	.219	1.250	1.060	3.000	.281*

* Increase Z dimension, so marked (*), by .312 for size "0" contact only.

10-87408/40

jam nut receptacle

- For thin wall or panels
- "O" ring gasket provided on flange
- Back skirt with threads for accessories
- Olive drab chromate over cadmium plate finish



For contact data see Catalog 12-020.

All lockwire holes .045 Dia. Min.

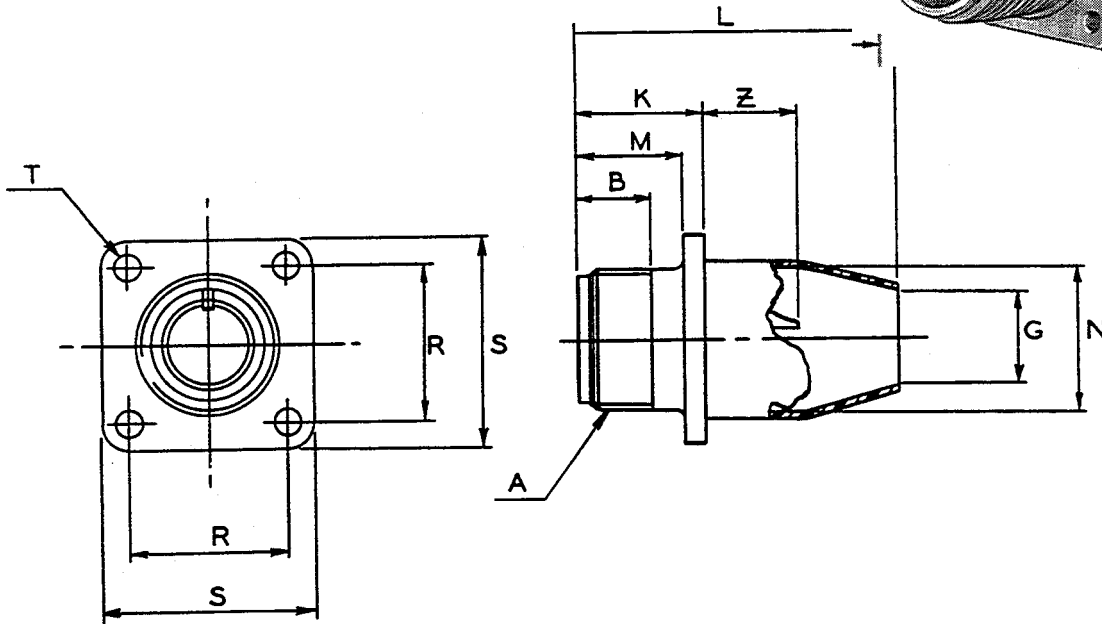
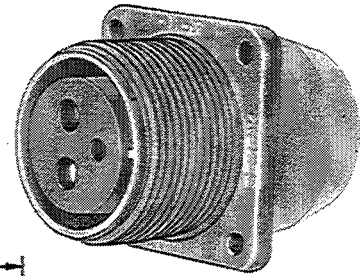
Insert arrangements containing size 0, 4 and 8 contacts are not available.

MS Shell Size	Order Number	A Thread Class 2A	F Hex ± 0.016	G ± 0.015	H Panel Thickness		K ± 0.005	M ± 0.010	P ± 0.010	S ± 0.010	V Thread Class 2A	Z ± 0.045
					Min.	Max.						
10S	10-87410-	.6250-24NEF	.812	.525	.000	.197	.125	.806	.354	1.000	.5000-28UNEF	.288
10SL	10-87411-	.6250-24NEF	.812	.525	.000	.197	.125	.806	.354	1.000	.6250-24NEF	.288
12S	10-87412-	.7500-20UNEF	.938	.525	.000	.197	.125	.806	.397	1.124	.6250-24NEF	.288
12	10-87413-	.7500-20UNEF	.938	.713	.000	.197	.125	1.055	.397	1.124	.6250-24NEF	.477
14S	10-87414-	.8750-20UNEF	1.062	.525	.000	.199	.125	.869	.442	1.150	.7500-20UNEF	.225
14	10-87415-	.8750-20UNEF	1.062	.713	.000	.134	.125	1.055	.442	1.250	.7500-20UNEF	.477
16S	10-87416-	1.0000-20UNEF	1.250	.525	.000	.199	.125	.869	.486	1.376	.8750-20UNEF	.225
16	10-87417-	1.0000-20UNEF	1.250	.713	.000	.134	.125	1.055	.486	1.376	.8750-20UNEF	.477
18	10-87418-	1.1250-18NEF	1.312	.729	.000	.134	.156	1.055	.575	1.625	1.0000-20UNEF	.477
20	10-87420-	1.2500-18NEF	1.500	.729	.000	.134	.156	1.055	.619	1.750	1.1250-18NEF	.477
22	10-87422-	1.3750-18NEF	1.562	.729	.000	.134	.156	1.055	.663	1.875	1.2500-18NEF	.477
24	10-87424-	1.5000-18NEF	1.750	.745	.000	.167	.172	1.088	.707	2.000	1.3750-18NEF	.443
28	10-87428-	1.7500-18NS	2.000	.745	.000	.167	.172	1.088	.795	2.250	1.6250-18NEF	.443
32	10-87432-	2.0000-18NS	2.188	.761	.000	.135	.188	1.056	.884	2.500	1.8750-16NEF	.477
36	10-87436-	2.2500-16UN	2.438	.761	.000	.166	.188	1.118	.972	2.750	2.0625-16N	.414
40	10-87440-	2.5000-16UN	2.812	.761	.000	.166	.188	1.118	1.060	3.000	2.3125-16N	.414

SC00P

wall mounting receptacle

- Olive drab chromate over cadmium plate finish
- Primed inserts and potting boot provided for customer applied potting compounds



For contact data see Catalog 12-020.

NOTE:

Size "0" contacts must be individually sleeved. Use vinyl tubing, or equivalent, of suitable length and diameter.

MS Shell Size	Order Number**	A Thread Class 2A	B Min. Full Thd.	G Dia.	K $\begin{smallmatrix} +.020 \\ -.010 \end{smallmatrix}$	L Max.	M $\begin{smallmatrix} +.010 \\ -.000 \end{smallmatrix}$	N Dia. $\begin{smallmatrix} +.010 \\ -.000 \end{smallmatrix}$	R $\pm .005$	S $\pm .031$	T Dia. $\begin{smallmatrix} +.004 \\ -.002 \end{smallmatrix}$	Z $\begin{smallmatrix} +.050 \\ -.060 \end{smallmatrix}$
8S	SC00P-8S-	.5000-28UNEF	.391	.288	.672	1.375	.562	.516	.594	.875	.120	.422
10S	SC00P-10S-	.6250-24NEF	.391	.359	.672	1.375	.562	.609	.719	1.000	.120	.422
12S	SC00P-12S-	.7500-20UNEF	.450	.484	.672	1.375	.562	.766	.812	1.094	.120	.422
12	SC00P-12-	.7500-20UNEF	.625	.484	.860	1.789	.750	.766	.812	1.094	.120	.672
14S	SC00P-14S-	.8750-20UNEF	.450	.609	.672	1.375	.562	.844	.906	1.188	.120	.422
14	SC00P-14-	.8750-20UNEF	.625	.609	.860	1.781	.750	.844	.906	1.188	.120	.672
16S	SC00P-16S-	1.0000-20UNEF	.450	.734	.672	1.375	.562	.969	.969	1.281	.120	.422
16	SC00P-16-	1.0000-20UNEF	.625	.734	.860	1.781	.750	.969	.969	1.281	.120	.672
18	SC00P-18-	1.1250-18NEF	.625	.859	.891	1.812	.750	1.094	1.063	1.375	.120	.641*
20	SC00P-20-	1.2500-18NEF	.625	.984	.891	1.812	.750	1.219	1.156	1.500	.120	.641*
22	SC00P-22-	1.3750-18NEF	.625	1.109	.891	1.812	.750	1.344	1.250	1.625	.120	.641*
24	SC00P-24-	1.5000-18NEF	.625	1.234	.953	1.812	.812	1.469	1.375	1.750	.147	.578*
28	SC00P-28-	1.7500-18NS	.625	1.427	.953	1.812	.812	1.719	1.562	2.000	.147	.578*
32	SC00P-32-	2.0000-18NS	.625	1.708	1.031	1.828	.875	2.000	1.750	2.250	.173	.500*
36	SC00P-36-	2.2500-16UN	.625	1.895	1.031	1.828	.875	2.219	1.938	2.500	.173	.500*
40	SC00P-40-	2.5000-16UN	.625	2.130	1.031	1.828	.875	2.469	2.188	2.750	.173	.500*

* Increase Z dimension, so marked (*), by .312 for size "0" contact only.

HOW TO ORDER

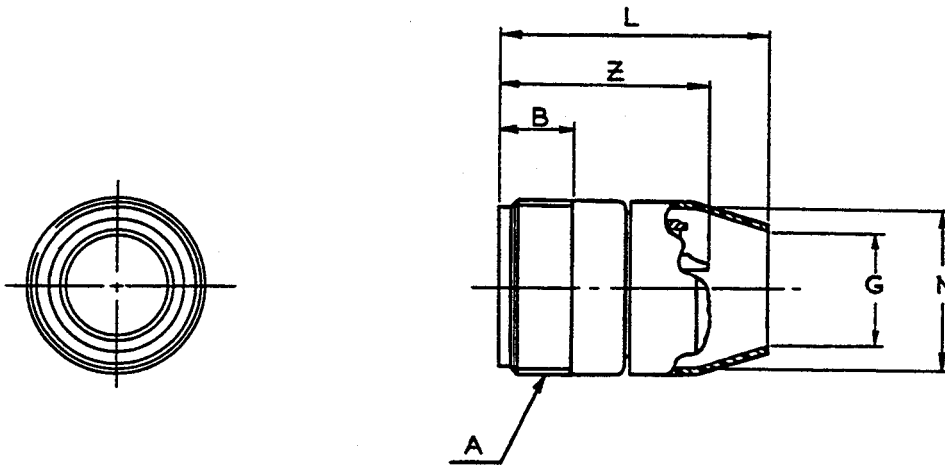
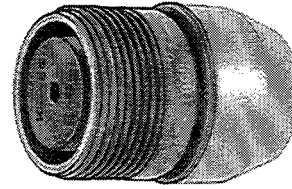
** To order, select base number above; add insert arrangement from "Contact and Arrangements" section, Catalog 12-020; add P for pins or S for sockets. Example: SC00P-18-1P

NOTE: Consult Amphenol, Sidney, NY for availability of shell size 10SL.

SC01P

cable connecting plug

- Olive drab chromate over cadmium plate finish
- Primed inserts and potting boot provided for customer applied potting compounds



For contact data see Catalog 12-020.

NOTE:

Size "0" contacts must be individually sleeved. Use vinyl tubing, or equivalent, of suitable length and diameter.

MS Shell Size	Order Number**	A Thread Class 2A	B Min. Full Thd.	G Dia.	L Max.	N Dia. +.010 -0.000	Z ±.040
8S	SC01P-8S-	.5000-28UNEF	.406	.288	1.350	.516	1.094
10S	SC01P-10S-	.6250-24NEF	.406	.359	1.375	.609	1.094
10SL	SC01P-10SL-	.6250-24NEF	.406	.484	1.351	.766	1.094
12S	SC01P-12S-	.7500-20UNEF	.422	.484	1.375	.766	1.094
12	SC01P-12-	.7500-20UNEF	.656	.484	1.827	.766	1.532
14S	SC01P-14S-	.8750-20UNEF	.391	.609	1.375	.844	1.094
14	SC01P-14-	.8750-20UNEF	.625	.609	1.827	.844	1.532
16S	SC01P-16S-	1.0000-20UNEF	.391	.734	1.375	.969	1.094
16	SC01P-16-	1.0000-20UNEF	.625	.734	1.827	.969	1.532
18	SC01P-18-	1.1250-18NEF	.625	.859	1.827	1.094	1.532*
20	SC01P-20-	1.2500-18NEF	.625	.984	1.827	1.219	1.532*
22	SC01P-22-	1.3750-18NEF	.625	1.109	1.827	1.344	1.532*
24	SC01P-24-	1.5000-18NEF	.625	1.234	1.827	1.469	1.532*
28	SC01P-28-	1.7500-18NS	.625	1.427	1.827	1.719	1.532*
32	SC01P-32-	2.0000-18NS	.625	1.708	1.827	2.000	1.532*
36	SC01P-36-	2.2500-16UN	.625	1.895	1.827	2.219	1.532*
40	SC01P-40-	2.5000-16UN	.625	2.130	1.827	2.469	1.532*

* Increase Z dimension, so marked (*), by .312 for size "0" contact only.

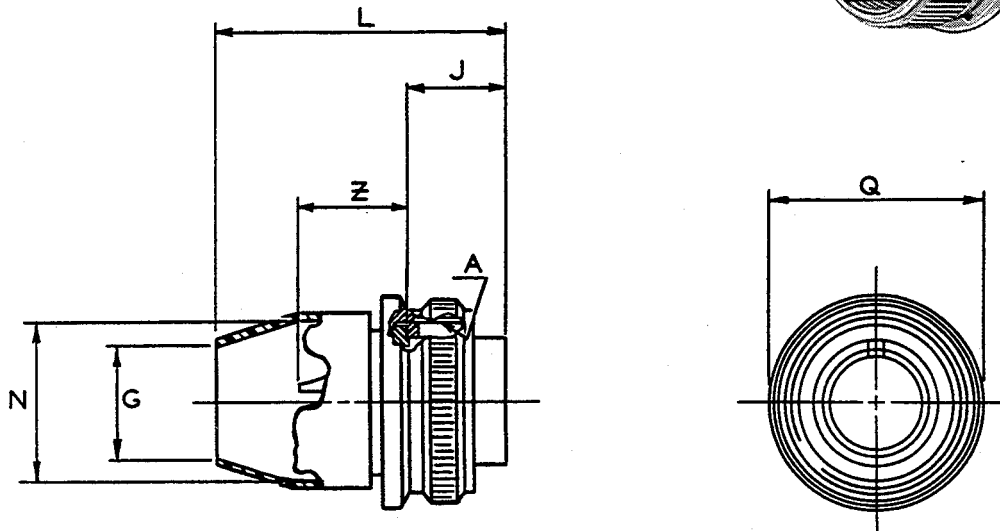
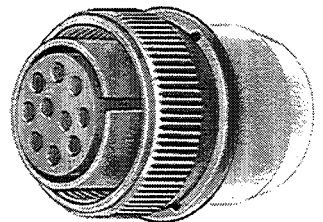
HOW TO ORDER

** To order, select base number above; add insert arrangement from "Contact and Arrangements" section, Catalog 12-020; add P for pins or S for sockets.
Example: SC01P-18-1P

SC06P

straight plug

- Olive drab chromate over cadmium plate finish
- Primed inserts and potting boot provided for customer applied potting compounds



For contact data see Catalog 12-020.

NOTE:

Size "0" contacts must be individually sleeved. Use vinyl tubing, or equivalent, of suitable length and diameter.

MS Shell Size	Order Number**	A Thread Class 2B	G Dia.	J ±.005	L Max.	N Dia. +.010 - .000	Q Dia. Max.	Z ±.045
8S	SC06P-8S-	.5000-28UNEF	.288	.531	1.449	.516	.760	.562
10S	SC06P-10S-	.6250-24NEF	.359	.531	1.449	.609	.885	.562
12S	SC06P-12S-	.7500-20UNEF	.484	.531	1.449	.766	1.010	.562
12	SC06P-12-	.7500-20UNEF	.484	.719	1.901	.766	1.010	.812
14S	SC06P-14S-	.8750-20UNEF	.609	.531	1.449	.844	1.135	.562
14	SC06P-14-	.8750-20UNEF	.609	.719	1.901	.844	1.135	.812
16S	SC06P-16S-	1.0000-20UNEF	.734	.531	1.449	.969	1.260	.562
16	SC06P-16-	1.0000-20UNEF	.734	.719	1.901	.969	1.260	.812
18	SC06P-18-	1.1250-18NEF	.859	.719	1.901	1.094	1.354	.812*
20	SC06P-20-	1.2500-18NEF	.984	.719	1.901	1.219	1.479	.812*
22	SC06P-22-	1.3750-18NEF	1.109	.719	1.901	1.344	1.604	.812*
24	SC06P-24-	1.5000-18NEF	1.234	.719	1.901	1.469	1.729	.812*
28	SC06P-28-	1.7500-18NS	1.427	.719	1.901	1.719	1.979	.812*
32	SC06P-32-	2.0000-18NS	1.708	.719	1.901	2.000	2.229	.812*
36	SC06P-36-	2.2500-16UN	1.895	.719	1.901	2.219	2.479	.812*
40	SC06P-40-	2.5000-16UN	2.130	.719	1.901	2.469	2.729	.812*

* Increase Z dimension, so marked (*), by .312 for size "0" contact only.

HOW TO ORDER

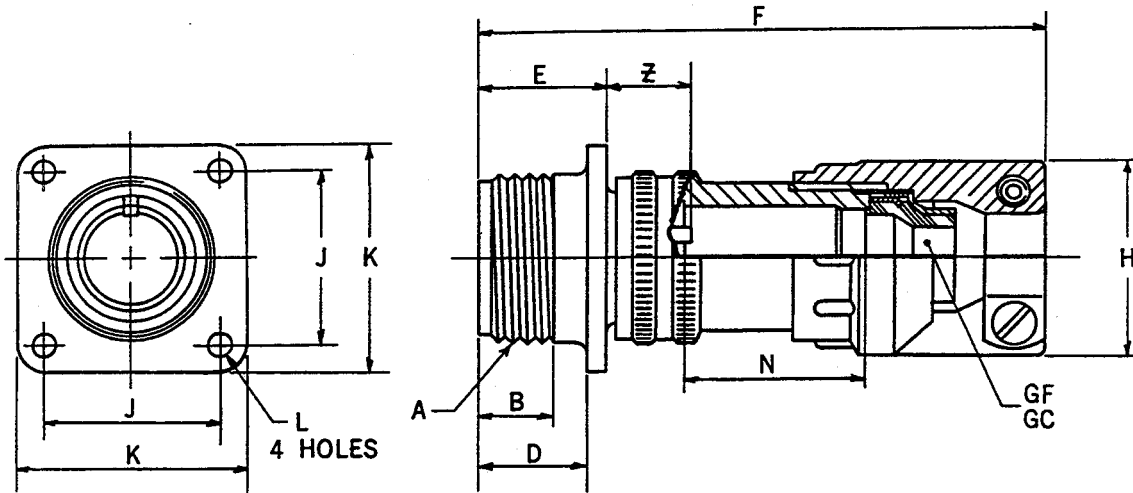
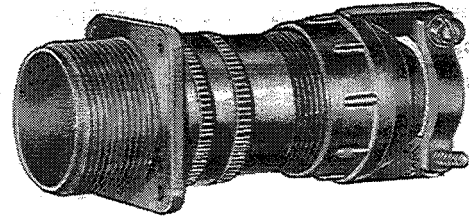
** To order, select base number above; add insert arrangement from "Contact and Arrangements" section, Catalog 12-020; add P for pins or S for sockets. Example: SC06P-18-1P

NOTE: Consult Amphenol, Sidney, NY for availability of shell size 10SL.

10-214008/40

wall mounting receptacle

- Crimp contacts
- Multi-conductor jacket cable
- Sealing gaskets at all mating surfaces
- Olive drab chromate over cadmium finish



For contact data see Catalog 12-020.

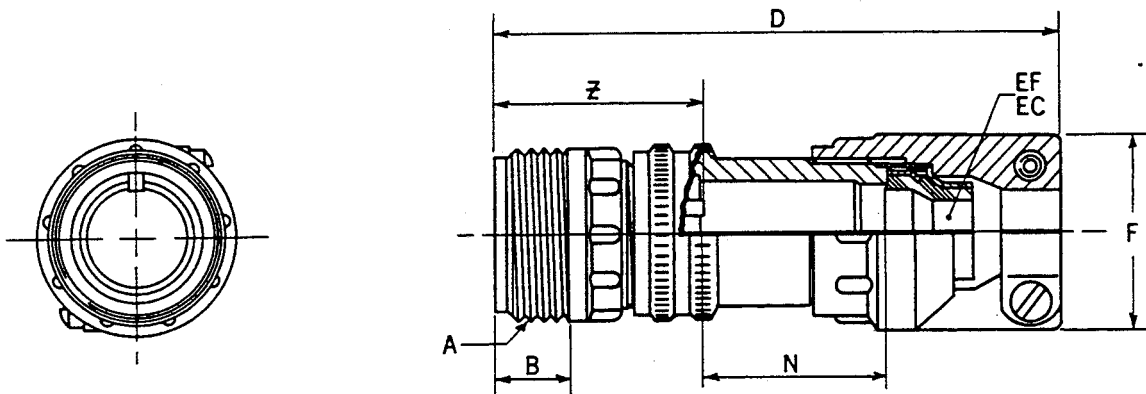
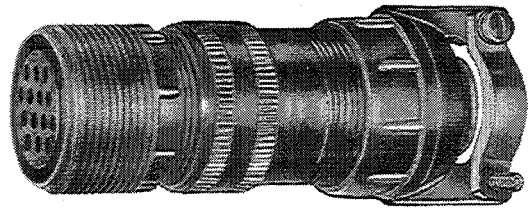
MS Shell Size	Order Number	A Thread Class 2A	B Min. Full Thd.	D +.010 - .000	E +.020 - .010	F Max.	GF Free Dia.	GC Closed Dia.	H Max.	J ±.005	K	L Dia. +.004 - .002	N ±.031	Z +.050 - .060
8S	10-214008-	.5000-28UNEF	.391	.562	.672	3.005	.219	.027	.812	.594	.875	.120	1.068	.469
10S	10-214010	.6250-24NEF	.391	.562	.672	3.005	.219	.027	.812	.719	1.000	.120	1.068	.469
10SL	10-214011-	.6250-24NEF	.391	.562	.672	3.005	.312	.094	.906	.719	1.000	.120	1.068	.469
12S	10-214012-	.7500-20UNEF	.625	.562	.672	3.005	.312	.094	.906	.812	1.094	.120	1.068	.469
12	10-214013-	.7500-20UNEF	.625	.750	.860	3.437	.312	.094	.906	.812	1.094	.120	1.125	.672
14S	10-214014-	.8750-20UNEF	.450	.562	.672	3.005	.438	.230	1.031	.906	1.188	.120	1.068	.469
14	10-214015-	.8750-20UNEF	.625	.750	.860	3.437	.438	.230	1.031	.906	1.188	.120	1.125	.672
16S	10-214016-	1.0000-20UNEF	.450	.562	.672	3.005	.531	.316	1.125	.969	1.281	.120	1.068	.469
16	10-214017-	1.0000-20UNEF	.625	.750	.860	3.437	.531	.316	1.125	.969	1.281	.120	1.125	.672
18	10-214018-	1.1250-18NEF	.625	.750	.891	3.515	.625	.378	1.234	1.063	1.375	.120	1.125	.641
20	10-214020-	1.2500-18NEF	.625	.750	.891	3.780	.750	.445	1.484	1.156	1.500	.120	1.375	.641
22	10-214022-	1.3750-18NEF	.625	.750	.891	4.030	.750	.445	1.484	1.250	1.625	.120	1.625	.641
24	10-214024-	1.5000-18NEF	.625	.812	.953	4.452	.938	.611	1.671	1.375	1.750	.147	1.875	.578
28	10-214028-	1.7500-18NS	.625	.812	.953	4.874	.938	.611	1.671	1.562	2.000	.147	2.297	.578
32	10-214032-	2.0000-18NS	.625	.875	1.031	5.374	1.250	.922	2.188	1.750	2.250	.173	2.547	.500
36	10-214036-	2.2500-16UN	.625	.875	1.031	5.827	1.375	.922	2.344	1.938	2.500	.173	2.797	.500
40	10-214040-	2.5000-16UN	.625	.875	1.031	6.077	1.625	1.180	2.594	2.188	2.750	.173	3.047	.500
44	10-214044-	2.7500-16UN	.625	.875	1.031*	6.500	1.875	1.427	2.812	2.375	3.000*	.173	3.563	.750

* Noted dimensions have tolerance ±.020

10-214108/40

cable connecting plug

- Crimp contacts
- Multi-conductor jacket cable
- Sealing gaskets at all mating surfaces
- Olive drab chromate over cadmium finish



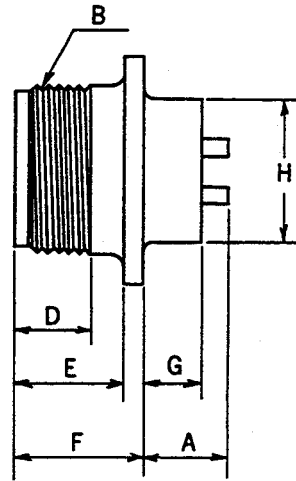
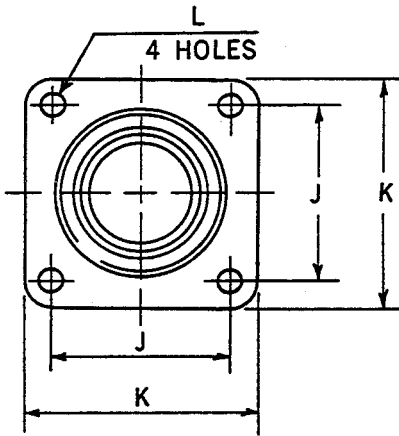
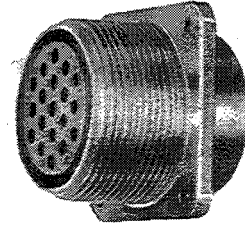
For contact data see Catalog 12-020.

MS Shell Size	Order Number	A Thread Class 2A	B Min. Full Thd	D Max.	EF Free Dia.	EC Closed Dia.	F Max.	N $\pm .031$	Z $\pm .040$
8S	10-214108-	.5000-28UNEF	.406	3.005	.219	.027	.812	1.068	1.141
10S	10-214110-	.6250-24NEF	.406	3.005	.219	.027	.812	1.068	1.141
10SL	10-214111-	.6250-24NEF	.406	3.005	.312	.094	.906	1.068	1.141
12S	10-214112-	.7500-20UNEF	.422	3.005	.312	.094	.906	1.068	1.141
12	10-214113-	.7500-20UNEF	.656	3.437	.312	.094	.906	1.125	1.532
14S	10-214114-	.8750-20UNEF	.391	3.005	.438	.230	1.031	1.068	1.141
14	10-214115-	.8750-20UNEF	.625	3.437	.438	.230	1.031	1.125	1.532
16S	10-214116-	1.000-20UNEF	.391	3.005	.531	.316	1.125	1.068	1.141
16	10-214117-	1.0000-20UNEF	.625	3.437	.531	.316	1.125	1.125	1.532
18	10-214118-	1.1250-18NEF	.625	3.515	.625	.378	1.234	1.125	1.532
20	10-214120-	1.2500-18NEF	.625	3.780	.750	.445	1.484	1.375	1.532
22	10-214122-	1.3750-18NEF	.625	4.030	.750	.445	1.484	1.625	1.532
24	10-214124-	1.5000-18NEF	.625	4.452	.938	.611	1.671	1.875	1.532
28	10-214128-	1.7500-18NS	.625	4.874	.938	.611	1.671	2.297	1.532
32	10-214132-	2.0000-18NS	.625	5.374	1.250	.922	2.188	2.547	1.532
36	10-214136-	2.2500-16UN	.625	5.827	1.375	.922	2.344	2.797	1.532
40	10-214140-	2.5000-16UN	.625	6.077	1.625	1.180	2.594	3.047	1.532
44	10-214144-	2.7500-16UN	.625	6.625	1.875	1.427	2.763	3.563	1.782

10-214208/40

box mounting receptacle

- Crimp contacts
- Olive drab chromate over cadmium finish



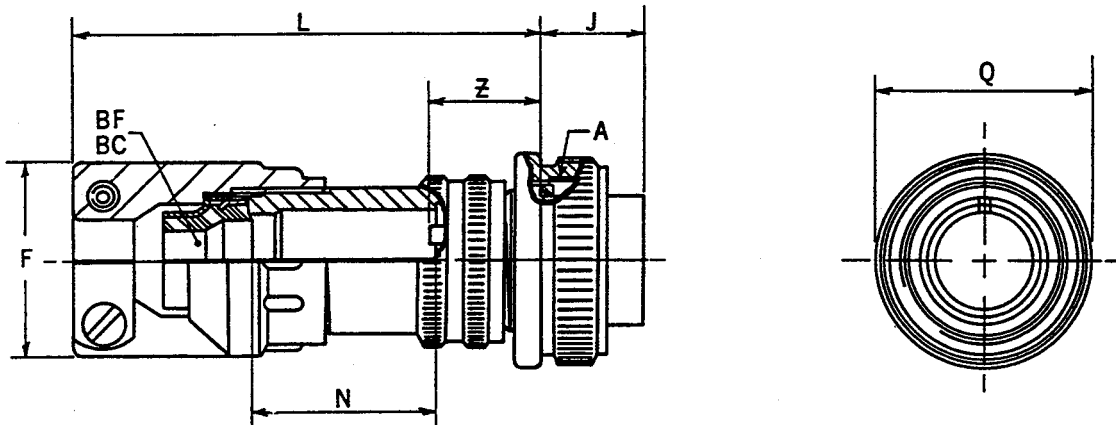
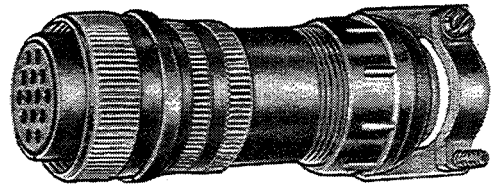
For contact data see Catalog 12-020.

MS Shell Size	Order Number	A +.050 -.060	B Thread Class 2A	D Min. Full Thd.	E +.010 -.000	F +.020 -.010	G +.000 -.010	H Dia. +.010 -.000	J ±.005	K	L Dia. +.004 -.002
8S	10-214208-	.469	.5000-28UNEF	.391	.562	.672	.297	.375	.594	.875	.120
10S	10-214210-	.469	.6250-24NEF	.391	.562	.672	.297	.500	.719	1.000	.120
10SL	10-214211-	.469	.6250-24NEF	.391	.562	.672	.297	.625	.719	1.000	.120
12S	10-214212-	.469	.7500-20UNEF	.450	.562	.672	.297	.625	.812	1.094	.120
12	10-214213-	.672	.7500-20UNEF	.625	.750	.860	.484	.625	.812	1.094	.120
14S	10-214214-	.469	.8750-20UNEF	.450	.562	.672	.297	.750	.906	1.188	.120
14	10-214215-	.672	.8750-20UNEF	.625	.750	.860	.484	.750	.906	1.188	.120
16S	10-214216-	.469	1.0000-20UNEF	.450	.562	.672	.297	.875	.969	1.281	.120
16	10-214217-	.672	1.0000-20UNEF	.625	.750	.860	.484	.875	.969	1.281	.120
18	10-214218-	.641	1.1250-18NEF	.625	.750	.891	.453	1.000	1.063	1.375	.120
20	10-214220-	.641	1.2500-18NEF	.625	.750	.891	.453	1.125	1.156	1.500	.120
22	10-214222-	.641	1.3750-18NEF	.625	.750	.891	.453	1.250	1.250	1.625	.120
24	10-214224-	.578	1.5000-18NEF	.625	.812	.953	.453	1.375	1.375	1.750	.147
28	10-214228-	.578	1.7500-18NS	.625	.812	.953	.453	1.625	1.562	2.000	.147
32	10-214232-	.500	2.0000-18NS	.625	.875	1.031	.438	1.875	1.750	2.250	.173
36	10-214236-	.500	2.2500-16UN	.625	.875	1.031	.438	2.062	1.938	2.500	.173
40	10-214240-	.500	2.5000-16UN	.625	.875	1.031	.438	2.312	2.188	2.750	.173
44	10-214244-	.718	2.7500-16UN	.625	.875	1.063	.546	2.594	2.375	3.000	.173

10-214608/40

straight plug

- Crimp contacts
- Multi-conductor jacket cable
- Sealing gaskets at all mating surfaces
- Olive drab chromate over cadmium finish



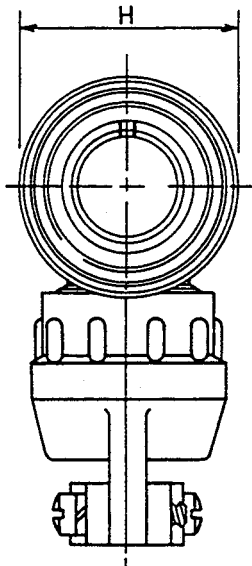
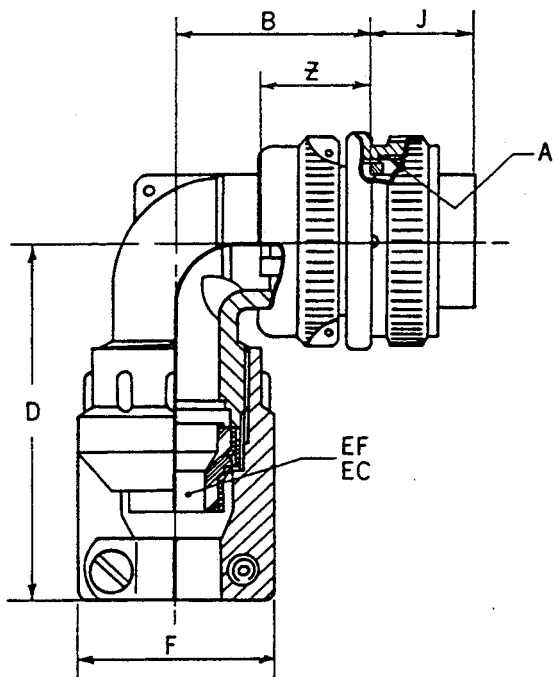
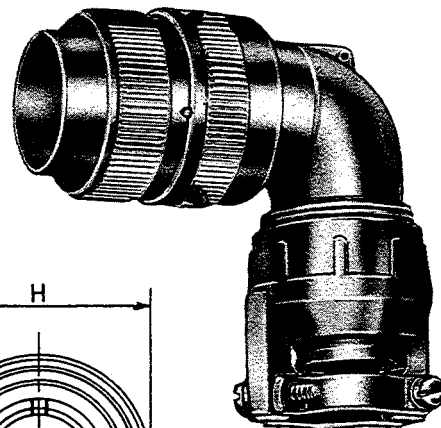
For contact data see Catalog 12-020.

MS Shell Size	Order Number	A Thread Class 2B	BF Free Dia.	BC Closed Dia.	F Max.	J ±.005	L Max.	N ±.031	Q Dia. Max.	Z ±.045
8S	10-214608-	.5000-28UNEF	.219	.027	.812	.531	2.474	1.068	.741	.609
10S	10-214610-	.6250-24NEF	.219	.027	.812	.531	2.474	1.068	.869	.609
10SL	10-214611-	.6250-24NEF	.312	.094	.906	.531	2.474	1.068	.946	.609
12S	10-214612-	.7500-20UNEF	.312	.094	.906	.531	2.474	1.068	.995	.609
12	10-214613-	.7500-20UNEF	.312	.094	.906	.719	2.718	1.125	.995	.812
14S	10-214614-	.8750-20UNEF	.438	.230	1.031	.531	2.474	1.068	1.123	.609
14	10-214615-	.8750-20UNEF	.438	.230	1.031	.719	2.718	1.125	1.123	.812
16S	10-214616-	1.000-20UNEF	.531	.316	1.125	.531	2.474	1.068	1.250	.609
16	10-214617-	1.0000-20UNEF	.531	.316	1.125	.719	2.718	1.125	1.250	.812
18	10-214618-	1.1250-18NEF	.625	.378	1.234	.719	2.797	1.125	1.333	.812
20	10-214620-	1.2500-18NEF	.750	.445	1.484	.719	3.061	1.375	1.461	.812
22	10-214622-	1.3750-18NEF	.750	.445	1.484	.719	3.311	1.625	1.588	.812
24	10-214624-	1.5000-18NEF	.938	.611	1.671	.719	3.734	1.875	1.715	.812
28	10-214628-	1.7500-18NS	.938	.611	1.671	.719	4.156	2.297	1.968	.812
32	10-214632-	2.0000-18NS	1.250	.922	2.188	.719	4.655	2.547	2.209	.812
36	10-214636-	2.2500-16UN	1.375	.922	2.344	.719	5.108	2.797	2.463	.812
40	10-214640-	2.5000-16UN	1.625	1.180	2.594	.719	5.358	3.047	2.718	.812
44	10-214644-	2.7500-16UN	1.875	1.427	2.812	.719	5.875	3.563	3.084	1.063

10-214808/40

90° plug

- Crimp contacts
- Multi-conductor jacket cable
- Sealing gaskets at all mating surfaces
- Olive drab chromate over cadmium finish



For contact data see Catalog 12-020.

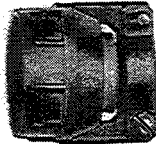
MS Shell Size	Order Number	A Thread Class 2B	B Max.	D Max.	EF Free Dia.	EC Closed Dia.	F Max.	H Dia. Max.	J ±.005	Z ±.045
8S	10-214808-	.5000-28UNEF	.927	1.729	.219	.027	.812	.741	.531	.609
10S	10-214810-	.6250-24NEF	.927	1.729	.219	.027	.812	.869	.531	.609
10SL	10-214811-	.6250-24NEF	.976	1.792	.312	.094	.906	.946	.531	.609
12S	10-214812-	.7500-20UNEF	.956	1.792	.312	.094	.906	.995	.531	.609
12	10-214813-	.7500-20UNEF	1.143	1.792	.312	.094	.906	.995	.719	.812
14S	10-214814-	.8750-20UNEF	1.020	1.854	.438	.230	1.031	1.123	.531	.609
14	10-214815-	.8750-20UNEF	1.207	1.854	.438	.230	1.031	1.123	.719	.812
16S	10-214816-	1.000-20UNEF	1.146	1.917	.531	.316	1.125	1.250	.531	.609
16	10-214817-	1.0000-20UNEF	1.333	1.917	.531	.316	1.125	1.250	.719	.812
18	10-214818-	1.1250-18NEF	1.395	2.090	.625	.378	1.234	1.333	.719	.812
20	10-214820-	1.2500-18NEF	1.598	2.166	.750	.445	1.484	1.461	.719	.812
22	10-214822-	1.3750-18NEF	1.629	2.228	.750	.445	1.484	1.588	.719	.812
24	10-214824-	1.5000-18NEF	1.786	2.463	.938	.611	1.671	1.715	.719	.812
28	10-214828-	1.7500-18NS	1.786	2.526	.938	.611	1.671	1.968	.719	.812
32	10-214832-	2.0000-18NS	2.020	3.026	1.250	.922	2.188	2.209	.719	.812
36	10-214836-	2.2500-16UN	2.150	3.291	1.375	.922	2.344	2.463	.719	.812
40	10-214840-	2.5000-16UN	2.270	3.447	1.625	1.180	2.594	2.718	.719	.812
44	10-214844-	2.7500-16UN	2.770	5.196	1.875	1.427	2.812	3.084	.719	1.063

Accessories and Application Tools

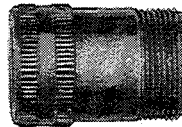
10-214XXX series

Accessories

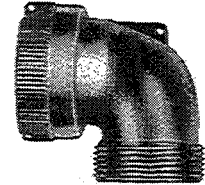
CLAMP ASSEMBLY



ADAPTER ASSEMBLY



90° ASSEMBLY



Shell Size
8S
10S
10SL
12S
12
14S
14
16S
16
18
20
22
24
28
32
36
40
44

Clamp Assembly Order Number
10-350349-103
10-350349-103
10-350349-123
10-350349-123
10-350349-123
10-350349-143
10-350349-143
10-350349-163
10-350349-163
10-350349-183
10-350349-203
10-350349-203
10-350349-243
10-350349-243
10-350349-323
10-350349-363
10-350349-403
10-350349-443

Adapter Assembly Order Number
10-101393-83
10-101393-103
10-101393-123
10-101393-123
10-101393-133
10-101393-143
10-101393-153
10-101393-163
10-101393-173
10-101393-183
10-329290-203
10-329290-223
10-329290-243
10-329290-283
10-329290-323
10-329290-363
10-329290-403
10-329290-443

90° Elbow Assembly Order Number
10-36055-83
10-36055-103
10-36055-123
10-36055-123
10-36055-133
10-36055-143
10-36055-153
10-36055-163
10-36055-173
10-36055-183
10-36055-203
10-36055-223
10-36055-243
10-36055-283
10-36055-323
10-36055-363
10-36055-403
10-248975-443

NOTE: The MS3420 sleeve and 10-40450 flange gasket are also available as accessories, but are not included as part of the 10-214XXX assembly. See sleeve tabulation on page 6. See Catalog 12-020 for data on sleeve or gasket.

Application Tools

The chart at right provides information on application tools for crimping, inserting and removing contacts incorporated in 10-214XXX series connectors. There is a possibility that crimping tools other than those listed here are, or in the future will be, available for this specific application.

Complete instructions for providing reliable crimped wire to contact terminations and inserting contacts in the 10-214XXX series connector are available in publication L-757.

Crimping Tool	Positioner/Turret	Contact Size	Contact Style	Insertion Tool	Removal Tool
M22520/1-01	*	16	Pin & Socket	11-7345	11-8250 Kit
M22520/1-01	*	12	Pin & Socket	11-7082	11-8250 Kit
**	**	8	Pin & Socket	11-8220	11-8250 Kit
**	**	4	Pin & Socket	11-7365-4†	Pin 11-7370-4† Socket 11-7674-2†
**	**	0	Pin & Socket	11-7365-5†	Pin 11-7370-5† Socket 11-7674-3†

* Use Daniels Turret TH29-1 or Astro Tool Co. Turret 616266.

** For appropriate crimp tool and positioner refer to Pico Crimping Tool Co.

† Indicates tools used with Arbor Press 11-7364.

Компания «Океан Электроники» предлагает заключение долгосрочных отношений при поставках импортных электронных компонентов на взаимовыгодных условиях!

Наши преимущества:

- Поставка оригинальных импортных электронных компонентов напрямую с производств Америки, Европы и Азии, а так же с крупнейших складов мира;
- Широкая линейка поставок активных и пассивных импортных электронных компонентов (более 30 млн. наименований);
- Поставка сложных, дефицитных, либо снятых с производства позиций;
- Оперативные сроки поставки под заказ (от 5 рабочих дней);
- Экспресс доставка в любую точку России;
- Помощь Конструкторского Отдела и консультации квалифицированных инженеров;
- Техническая поддержка проекта, помощь в подборе аналогов, поставка прототипов;
- Поставка электронных компонентов под контролем ВП;
- Система менеджмента качества сертифицирована по Международному стандарту ISO 9001;
- При необходимости вся продукция военного и аэрокосмического назначения проходит испытания и сертификацию в лаборатории (по согласованию с заказчиком);
- Поставка специализированных компонентов военного и аэрокосмического уровня качества (Xilinx, Altera, Analog Devices, Intersil, Interpoint, Microsemi, Actel, Aeroflex, Peregrine, VPT, Syfer, Eurofarad, Texas Instruments, MS Kennedy, Miteq, Cobham, E2V, MA-COM, Hittite, Mini-Circuits, General Dynamics и др.);

Компания «Океан Электроники» является официальным дистрибьютором и эксклюзивным представителем в России одного из крупнейших производителей разъемов военного и аэрокосмического назначения «JONHON», а так же официальным дистрибьютором и эксклюзивным представителем в России производителя высокотехнологичных и надежных решений для передачи СВЧ сигналов «FORSTAR».



JONHON

«JONHON» (основан в 1970 г.)

Разъемы специального, военного и аэрокосмического назначения:

(Применяются в военной, авиационной, аэрокосмической, морской, железнодорожной, горно- и нефтедобывающей отраслях промышленности)

«FORSTAR» (основан в 1998 г.)

ВЧ соединители, коаксиальные кабели, кабельные сборки и микроволновые компоненты:

(Применяются в телекоммуникациях гражданского и специального назначения, в средствах связи, РЛС, а так же военной, авиационной и аэрокосмической отраслях промышленности).



Телефон: 8 (812) 309-75-97 (многоканальный)

Факс: 8 (812) 320-03-32

Электронная почта: ocean@oceanchips.ru

Web: <http://oceanchips.ru/>

Адрес: 198099, г. Санкт-Петербург, ул. Калинина, д. 2, корп. 4, лит. А