

# KR Supercapacitors

## Coin cells



### Features and benefits

- High specific capacitance
- Low leakage current
- Long cycle life
- Eco-friendly

### Applications

- Computers and peripherals
- Network switches and routers
- Utility meters
- HVAC Controls
- Appliances and white goods
- Real-time clock backup
- Office equipment

### Description

Eaton supercapacitors are high reliability, high power, ultra-high capacitance energy storage devices utilizing electrochemical double layer capacitor (EDLC) construction combined with proprietary materials and processes. This combination of advanced technologies allows Eaton to offer a wide variety of capacitor solutions tailored to applications for backup power, pulse power and hybrid power systems. They can be applied as the sole energy storage or in combination with batteries to optimize cost, life time and run time. System requirements can range from a few microwatts to megawatts. All products feature low ESR for high power density with environmentally friendly materials for a green power solution. Eaton supercapacitors are maintenance-free with design lifetimes up to 20 years and operating temperatures down to -40 °C and up to +85 °C.



Powering Business Worldwide

## Specifications

|                                      |  |
|--------------------------------------|--|
| Capacitance                          | 0.1 F to 1.5 F   |
| Maximum working voltage              | 5.5 V  |
| Surge voltage                        | 6.3 V  |
| Capacitance tolerance                | -20% to +80% +20 °C  |
| Operating temperature range          | -25 °C to +70 °C   |
| Extended operating temperature range | -25 °C to +85 °C (with voltage derating to 3.6 V @ +85 °C) |

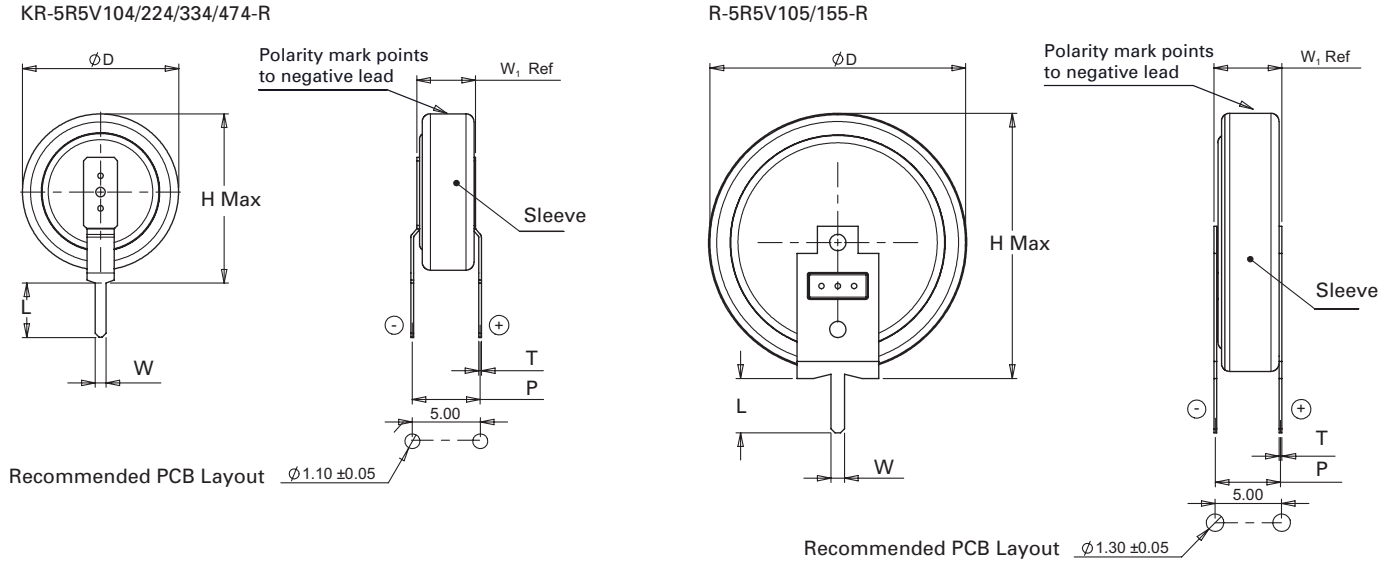
## Standard Product

| Capacitance (F) | Part number   | Type        | Lead length | Max. initial DC ESR ( $\Omega$ ) (Equivalent Series Resistance) measured @ 1kHz | Typical mass (g) |
|-----------------|---------------|-------------|-------------|---|------------------|
| 0.1             | KR-5R5V104-R  | Vertical    | Standard    | 75  | 1.4              |
| 0.1             | KR-5R5H104-R  | Horizontal  | Standard    | 75  | 1.4              |
| 0.1             | KR-5R5C104-R  | Cylindrical | Standard    | 75  | 3.3              |
| 0.1             | KR-5R5C104H-R | Cylindrical | Short       | 75  | 3.3              |
| 0.22            | KR-5R5V224-R  | Vertical    | Standard    | 75  | 1.4              |
| 0.22            | KR-5R5H224-R  | Horizontal  | Standard    | 75  | 1.4              |
| 0.22            | KR-5R5C224-R  | Cylindrical | Standard    | 75  | 3.3              |
| 0.22            | KR-5R5C224H-R | Cylindrical | Short       | 75  | 3.3              |
| 0.33            | KR-5R5V334-R  | Vertical    | Standard    | 50  | 1.4              |
| 0.33            | KR-5R5H334-R  | Horizontal  | Standard    | 50  | 1.4              |
| 0.33            | KR-5R5C334-R  | Cylindrical | Standard    | 50  | 3.3              |
| 0.33            | KR-5R5C334H-R | Cylindrical | Short       | 50  | 3.3              |
| 0.47            | KR-5R5V474-R  | Vertical    | Standard    | 50  | 1.4              |
| 0.47            | KR-5R5H474-R  | Horizontal  | Standard    | 50  | 1.4              |
| 0.47            | KR-5R5C474-R  | Cylindrical | Standard    | 50  | 3.3              |
| 0.47            | KR-5R5C474H-R | Cylindrical | Short       | 50  | 3.3              |
| 1.0             | KR-5R5V105-R  | Vertical    | Standard    | 30  | 4.2              |
| 1.0             | KR-5R5H105-R  | Horizontal  | Standard    | 30  | 4.2              |
| 1.0             | KR-5R5C105-R  | Cylindrical | Standard    | 30  | 9.1              |
| 1.0             | KR-5R5C105H-R | Cylindrical | Short       | 30  | 9.1              |
| 1.5             | KR-5R5V155-R  | Vertical    | Standard    | 30  | 4.2              |
| 1.5             | KR-5R5H155-R  | Horizontal  | Standard    | 30  | 4.2              |
| 1.5             | KR-5R5C155-R  | Cylindrical | Standard    | 30  | 9.1              |
| 1.5             | KR-5R5C155H-R | Cylindrical | Short       | 30  | 9.1              |

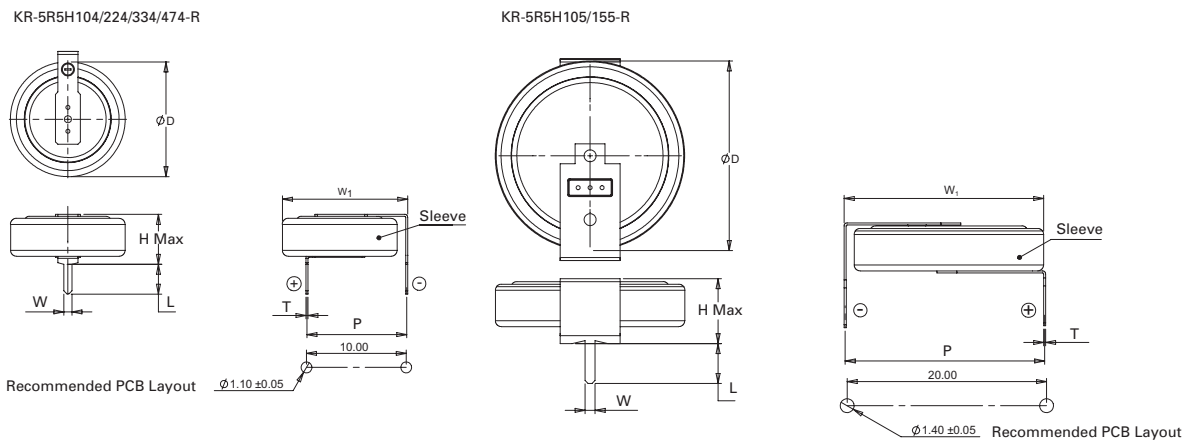
## Performance

| Parameter                                   | Capacitance Change (% of initial value) | ESR (% of max. initial value) |
|---|---|-------------------------------|
| Life — +70 °C @ 5.5 Vdc, 1000 hours         | ≤ 30%                                   | ≤ 400%                        |
| Life — +85 °C @ 3.6 Vdc, 2000 hours         | ≤ 30%                                   | ≤ 400%                        |
| Storage Life — -25 °C to +70 °C, 1000 hours | ≤ 30%                                   | ≤ 400%                        |

Dimensions (mm)



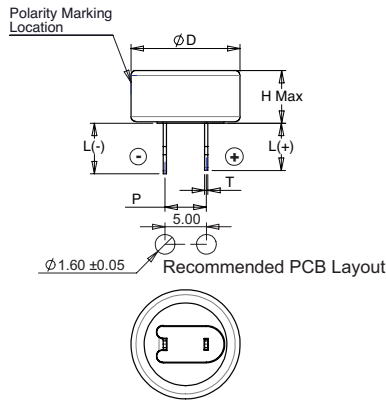
| Part Number  | Ø D ±0.2 | H Max | L ±0.1 | P ±0.3 | T   | W±0.1 | W1 Ref. |
|--------------|----------|-------|--------|--------|-----|-------|---------|
| KR-5R5V104-R | 11.5     | 12.7  | 4.0    | 5.0    | 0.2 | 0.8   | 4.3     |
| KR-5R5V224-R | 11.5     | 12.7  | 4.0    | 5.0    | 0.2 | 0.8   | 4.3     |
| KR-5R5V334-R | 11.5     | 12.7  | 4.0    | 5.0    | 0.2 | 0.8   | 4.3     |
| KR-5R5V474-R | 11.5     | 12.7  | 4.0    | 5.0    | 0.2 | 0.8   | 4.3     |
| KR-5R5V105-R | 19.0     | 19.7  | 4.0    | 5.0    | 0.2 | 1.0   | 5.0     |
| KR-5R5V155-R | 19.0     | 19.7  | 4.0    | 5.0    | 0.2 | 1.0   | 5.0     |



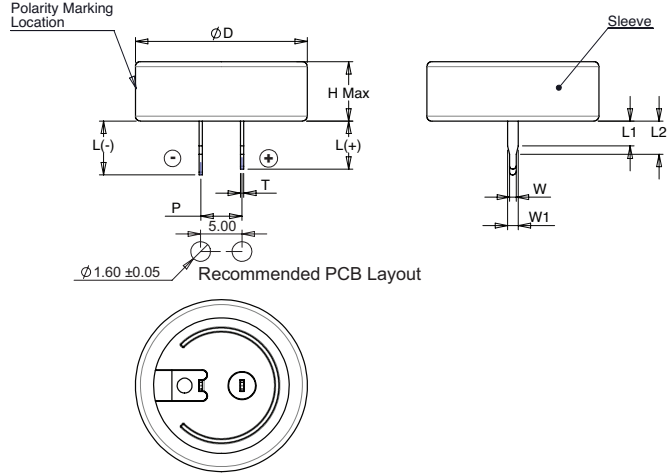
| Part Number  | Ø D ±0.2 | H Max | L ±0.1 | P        | T   | W±0.1 | W1 ±0.5. |
|--------------|----------|-------|--------|----------|-----|-------|----------|
| KR-5R5H104-R | 11.5     | 5.2   | 3.0    | 10.0±0.3 | 0.2 | 0.8   | 12.4     |
| KR-5R5H224-R | 11.5     | 5.2   | 3.0    | 10.0±0.3 | 0.2 | 0.8   | 12.4     |
| KR-5R5H334-R | 11.5     | 5.2   | 3.0    | 10.0±0.3 | 0.2 | 0.8   | 12.4     |
| KR-5R5H474-R | 11.5     | 5.2   | 3.0    | 10.0±0.3 | 0.2 | 0.8   | 12.4     |
| KR-5R5H105-R | 19.0     | 6.7   | 4.0    | 20.0±0.5 | 0.2 | 1.0   | 20.0     |
| KR-5R5H155-R | 19.0     | 6.7   | 4.0    | 20.0±0.5 | 0.2 | 1.0   | 20.0     |

**Dimensions (mm)**

KR-5R5C104/224/334/474-R



KR-5R5C105/155-R



**C Type (cylindrical)**

| Part Number   | Ø D Max | H Max | L (-) ±0.2 | L (+) ±0.2 | P ±0.3 | T ±0.05 | L1 ±0.10 | L2 ±0.10 | W ±0.06 | W1 ±0.06 |
|---------------|---------|-------|------------|------------|--------|---------|----------|----------|---------|----------|
| KR-5R5C104-R  | 13.5    | 6.5   | 6.1        | 5.7        | 5.0    | 0.4     | 3.0      | 4.0      | 0.8     | 1.3      |
| KR-5R5C104H-R | 13.5    | 6.5   | 3.3        | 3.3        | 5.0    | 0.4     | 0.9      | 1.9      | 0.8     | 1.3      |
| KR-5R5C224-R  | 13.5    | 6.5   | 6.1        | 5.7        | 5.0    | 0.4     | 3.0      | 4.0      | 0.8     | 1.3      |
| KR-5R5C224H-R | 13.5    | 6.5   | 3.3        | 3.3        | 5.0    | 0.4     | 0.9      | 1.9      | 0.8     | 1.3      |
| KR-5R5C334-R  | 13.5    | 6.5   | 6.1        | 5.7        | 5.0    | 0.4     | 3.0      | 4.0      | 0.8     | 1.3      |
| KR-5R5C334H-R | 13.5    | 6.5   | 3.3        | 3.3        | 5.0    | 0.4     | 0.9      | 1.9      | 0.8     | 1.3      |
| KR-5R5C474-R  | 13.5    | 6.5   | 6.1        | 5.7        | 5.0    | 0.4     | 3.0      | 4.0      | 0.8     | 1.3      |
| KR-5R5C474H-R | 13.5    | 6.5   | 3.3        | 3.3        | 5.0    | 0.4     | 0.9      | 1.9      | 0.8     | 1.3      |
| KR-5R5C105-R  | 21.5    | 7.1   | 6.5        | 5.8        | 5.0    | 0.4     | 3.0      | 4.0      | 0.8     | 1.3      |
| KR-5R5C105H-R | 21.5    | 7.1   | 3.3        | 3.3        | 5.0    | 0.4     | 0.8      | 1.8      | 0.8     | 1.3      |
| KR-5R5C155-R  | 21.5    | 7.1   | 6.5        | 5.8        | 5.0    | 0.4     | 3.0      | 4.0      | 0.8     | 1.3      |
| KR-5R5C155H-R | 21.5    | 7.1   | 3.3        | 3.3        | 5.0    | 0.4     | 0.8      | 1.8      | 0.8     | 1.3      |

**Part numbering system**

| KR          | —                          | 5  | R                                    | 5 | □                 | □              | □ | H* | -R |
|-------------|----------------------------|--|--------------------------------------|---|-------------------|----------------|---|----|----|
| Family Code | Voltage (V)<br>R = Decimal | Configuration<br>V = Vertical<br>H = Horizontal<br>C=Cylindrical | Capacitance (µF)                     |   | Short lead length | RoHS Compliant |   |    |    |
|             | Value                      |  | Multiplier                           |   |                   |                |   |    |    |
|             | 5R5 = 5.5 V                |  | Example: 474 = 47 x 104 µF or 0.47 F |   |                   |                |   |    |    |

\* Applies to cylindrical part numbers only. If ordering vertical or horizontal types, or standard lead length on cylindrical type, omit "H" from part number.

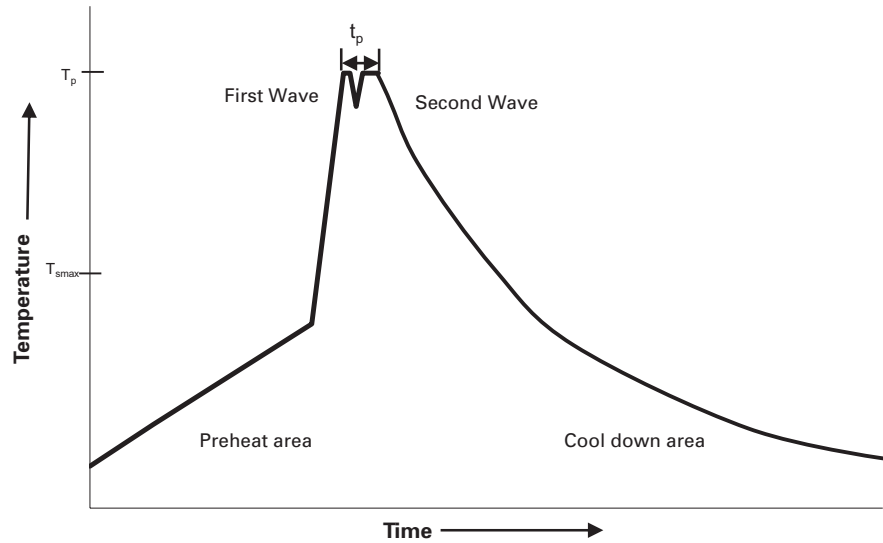
**Packaging information**

- Standard packaging: 500 pieces per package
- For 0.1 F to 0.47 F, 500 pieces per bag
- For 1.0 F to 1.5 F, 100 pieces per tray, 5 trays per box

**Part marking**

- Manufacturer
- Capacitance (F)
- Max operating voltage (V)
- Polarity

**Wave solder profile**



| Profile Feature                     | Standard SnPb Solder                      | Lead (Pb) Free Solder                     |
|-------------------------------------|---|---|
| Preheat and soak                    |   |   |
| • Temperature max. ( $T_{smax}$ )   | 100 °C                                    | 100 °C                                    |
| • Time max.                         | 60 seconds                                | 60 seconds                                |
| $\Delta$ preheat to max Temperature | 160 °C max.                               | 160 °C max.                               |
| Peak temperature ( $T_p$ )*         | 235 °C – 260 °C                           | 250 °C – 260 °C                           |
| Time at peak temperature ( $t_p$ )  | 10 seconds max<br>5 seconds max each wave | 10 seconds max<br>5 seconds max each wave |
| Ramp-down rate                      | ~ 2 K/s min<br>~3.5 K/s typ<br>~5 K/s max | ~ 2 K/s min<br>~3.5 K/s typ<br>~5 K/s max |
| Time 25 °C to 25 °C                 | 4 minutes                                 | 4 minutes                                 |

**Manual solder**

Do not touch the supercapacitor’s external sleeve with the soldering rod or the sleeve will melt or crack. The recommended temperature of the soldering rod tip is less than 260 °C (maximum: 350 °C) and the soldering duration should be less than 5 seconds. Minimize the time that the soldering iron is in direct contact with the terminals of the supercapacitor as excessive heating of the leads may lead to higher equivalent series resistance (ESR).

**Reflow soldering**

Do not use reflow soldering using infrared or convection oven heating methods.

**Cleaning/Washing**

Avoid cleaning of circuit boards, however if the circuit board must be cleaned use static or ultrasonic immersion in a standard circuit board cleaning fluid for no more than 5 minutes and a maximum temperature of +60 °C. Afterwards thoroughly rinse and dry the circuit boards. In general, treat supercapacitors in the same manner you would an aluminum electrolytic capacitor.

Life Support Policy: Eaton does not authorize the use of any of its products for use in life support devices or systems without the express written approval of an officer of the Company. Life support systems are devices which support or sustain life, and whose failure to perform, when properly used in accordance with instructions for use provided in the labeling, can be reasonably expected to result in significant injury to the user.

Eaton reserves the right, without notice, to change design or construction of any products and to discontinue or limit distribution of any products. Eaton also reserves the right to change or update, without notice, any technical information contained in this bulletin.

**Eaton**  
**Electronics Division**  
1000 Eaton Boulevard  
Cleveland, OH 44122  
United States  
www.eaton.com/electronics

© 2016 Eaton  
All Rights Reserved  
Printed in USA  
Publication No. 4327  
September 2016

Eaton is a registered trademark.

All other trademarks are property of their respective owners.

Компания «Океан Электроники» предлагает заключение долгосрочных отношений при поставках импортных электронных компонентов на взаимовыгодных условиях!

Наши преимущества:

- Поставка оригинальных импортных электронных компонентов напрямую с производств Америки, Европы и Азии, а так же с крупнейших складов мира;
- Широкая линейка поставок активных и пассивных импортных электронных компонентов (более 30 млн. наименований);
- Поставка сложных, дефицитных, либо снятых с производства позиций;
- Оперативные сроки поставки под заказ (от 5 рабочих дней);
- Экспресс доставка в любую точку России;
- Помощь Конструкторского Отдела и консультации квалифицированных инженеров;
- Техническая поддержка проекта, помощь в подборе аналогов, поставка прототипов;
- Поставка электронных компонентов под контролем ВП;
- Система менеджмента качества сертифицирована по Международному стандарту ISO 9001;
- При необходимости вся продукция военного и аэрокосмического назначения проходит испытания и сертификацию в лаборатории (по согласованию с заказчиком);
- Поставка специализированных компонентов военного и аэрокосмического уровня качества (Xilinx, Altera, Analog Devices, Intersil, Interpoint, Microsemi, Actel, Aeroflex, Peregrine, VPT, Syfer, Eurofarad, Texas Instruments, MS Kennedy, Miteq, Cobham, E2V, MA-COM, Hittite, Mini-Circuits, General Dynamics и др.);

Компания «Океан Электроники» является официальным дистрибьютором и эксклюзивным представителем в России одного из крупнейших производителей разъемов военного и аэрокосмического назначения «JONHON», а так же официальным дистрибьютором и эксклюзивным представителем в России производителя высокотехнологичных и надежных решений для передачи СВЧ сигналов «FORSTAR».



## JONHON

«JONHON» (основан в 1970 г.)

Разъемы специального, военного и аэрокосмического назначения:

(Применяются в военной, авиационной, аэрокосмической, морской, железнодорожной, горно- и нефтедобывающей отраслях промышленности)

«FORSTAR» (основан в 1998 г.)

ВЧ соединители, коаксиальные кабели,  
кабельные сборки и микроволновые компоненты:

(Применяются в телекоммуникациях гражданского и специального назначения, в средствах связи, РЛС, а так же военной, авиационной и аэрокосмической отраслях промышленности).



Телефон: 8 (812) 309-75-97 (многоканальный)

Факс: 8 (812) 320-03-32

Электронная почта: [ocean@oceanchips.ru](mailto:ocean@oceanchips.ru)

Web: <http://oceanchips.ru/>

Адрес: 198099, г. Санкт-Петербург, ул. Калинина, д. 2, корп. 4, лит. А