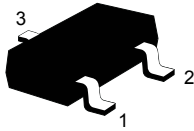
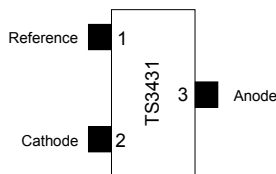


1.24 V adjustable shunt voltage reference



SOT23-3L
(Plastic micropackage)



SOT23-3L
(top view)

Features

- Adjustable output voltage: 1.24 to 24 V
- Several precision levels @ 25 °C ± 2%, ± 1%, ± 0.5% and ± 0.25%
- Sink current capability: 0.4 to 100 mA
- Industrial temperature range: - 40 °C to + 105 °C
- Performance compatible with industry standard TL431

Applications

- Computers
- Instrumentation
- Battery chargers
- Switch mode power supply
- Battery operated equipment

Description

The **TS3431** is an adjustable shunt voltage reference with guaranteed temperature stability over the entire operating temperature range (- 40 °C to + 125 °C). The output voltage can be set to any value between 1.24 V and 24 V with an external resistor bridge.

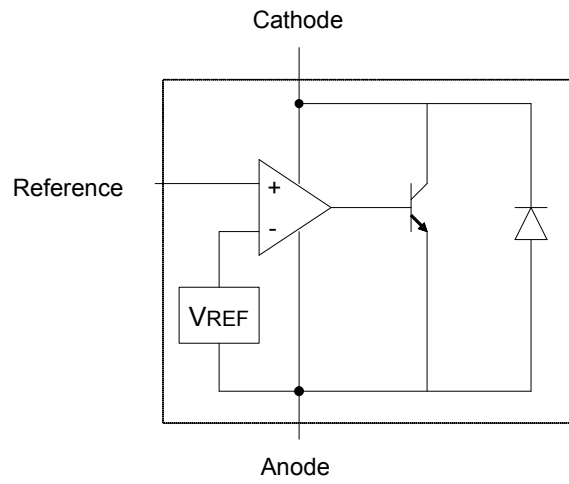
Available in SOT23-3 surface mount package, it can be used in application designs where space saving is critical.

Maturity status link

[TS3431](#)

1 Diagram

Figure 1. Block diagram



2 Maximum ratings

Table 1. Absolute maximum ratings

Symbol	Parameter	Value	Unit
V_{ka}	Cathode to anode voltage	25	V
I_K	Reverse breakdown current	-100 to +150	mA
I_{REF}	Reference input current range	0.05 to +10	mA
P_d	Power dissipation SOT23-3L ⁽¹⁾ .	360	mW
T_{stg}	Storage temperature	-65 to +150	°C
ESD	Human body model (HBM)	2	kV
	Machine model (MM)	200	V
T_{LEAD}	Lead temperature (soldering, 10 seconds)	250	°C

1. P_d is calculated with $T_{amb} = 25\text{ °C}$, $T_j = 150\text{ °C}$, $R_{thjc} = 110\text{ °C/W}$, $R_{thja} = 340\text{ °C/W}$

Table 2. Operating conditions

Symbol	Parameter	Value	Unit
I_K	Cathode operating current	0.5 to 100	mA
V_K	Cathode operating voltage	1.24 to 24	V
T_{oper}	Operating free air temperature range	- 40 to + 105	°C

3 Electrical characteristics

Limits are 100% production tested at 25 °C. Behavior at the temperature range limits is guaranteed through correlation and by design. $T_{amb} = 25\text{ °C}$ (unless otherwise specified).

Table 3. Electrical characteristics

Symbol	Parameter	Test conditions	Min.	Typ.	Max.	Unit
V_K	Reference input voltage $I_K = 10\text{ mA}$, $V_{KA} = V_{ref}$	TS3431 (2%)	1.215	1.24	1.265	V
		TS3431A (1%)	1.228		1.252	
		TS3431B (0.5%)	1.234		1.246	
		TS3431C (0.25%)	1.237		1.243	
ΔV_K	Variation of reference input voltage over temperature, $V_{ka} = V_{ref}$	$0\text{ °C} < T < +70\text{ °C}$			10	mV
		$-40\text{ °C} < T < +105\text{ °C}$			18	
		$-40\text{ °C} < T < +125\text{ °C}$			21	
T_C	Temperature coefficient	$-40\text{ °C} < T < +125\text{ °C}$			100	ppm/°C
I_{Kmin}	Minimum operating current	$T = 25\text{ °C}$		0.35	0.4	mA
		$-40\text{ °C} < T < +125\text{ °C}$			0.5	
$\left \frac{\Delta V_{ref}}{\Delta V_{ka}} \right $	Ratio of change in reference input voltage to change in cathode to anode voltage	$I_K = 10\text{ mA}$ $V_K = 24\text{ to }1.24\text{ V}$		1.2	1.5	mV/V
		$-40\text{ °C} < T < +125\text{ °C}$			2	
I_{REF}	Reference input current $I_K = 10\text{ mA}$, $R1 = 10\text{ k}\Omega$, $R2 = +\infty$	$T = 25\text{ °C}$		1.5	2.0	μA
		$-40\text{ °C} < T < +125\text{ °C}$			2.5	
ΔI_{REF}	Reference input current deviation $I_K = 10\text{ mA}$, $R1 = 10\text{ k}\Omega$, $R2 = +\infty$	$0\text{ °C} < T < +70\text{ °C}$		0.5	1	μA
		$-40\text{ °C} < T < +125\text{ °C}$		0.9	1.5	
I_{OFF}	Off-state cathode current $V_K = 24\text{ V}$	$T = 25\text{ °C}$		35	500	nA
		$-40\text{ °C} < T < +105\text{ °C}$			1000	
		$-40\text{ °C} < T < +125\text{ °C}$			2000	
R_{KA}	Reverse static impedance	$I_K = 1\text{ to }100\text{ mA}$		0.2	0.4	Ω
EN	Wideband noise	$I_K = 10\text{ mA}$ $1\text{ kHz} < f < 100\text{ kHz}$		100		nV/ $\sqrt{\text{Hz}}$

3.1 Performance characteristics

Figure 2. Reference voltage vs. temperature

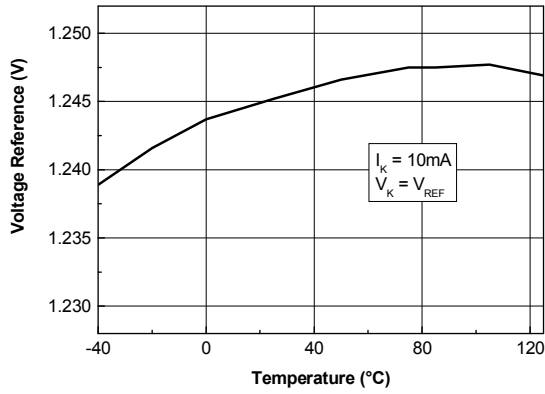


Figure 3. Test circuit for $V_K = V_{ref}$

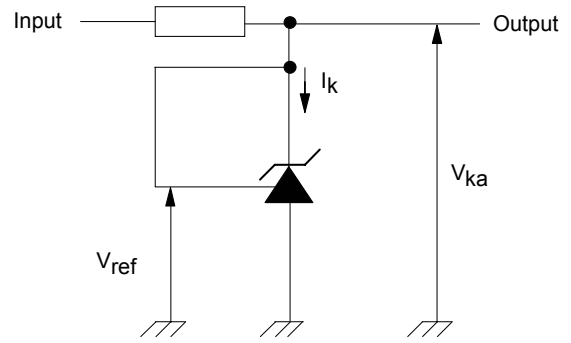


Figure 4. Cathode voltage vs. cathode current

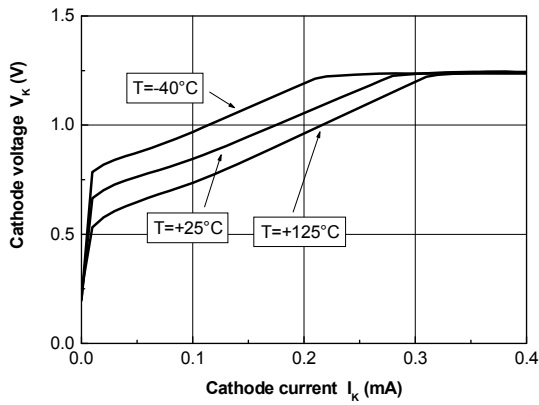


Figure 5. Minimum operating current vs. temperature

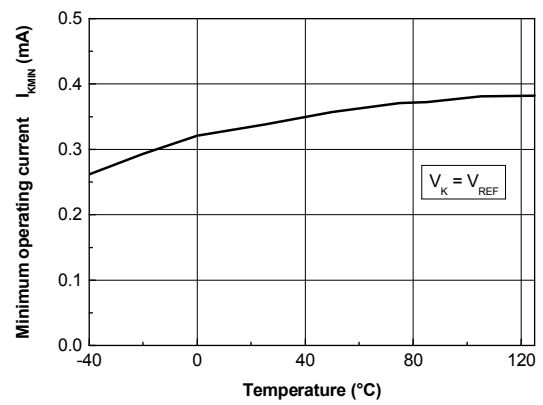


Figure 6. Reference input current vs. temperature

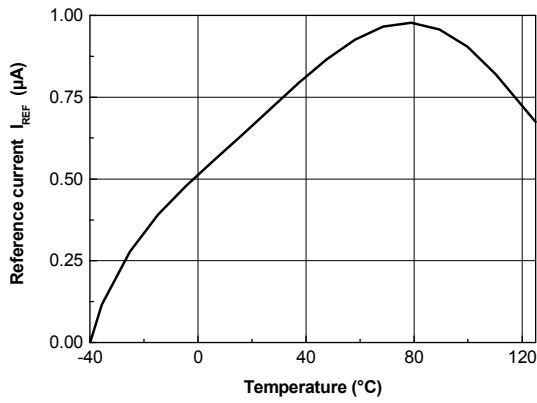


Figure 7. Dynamic impedance vs. frequency

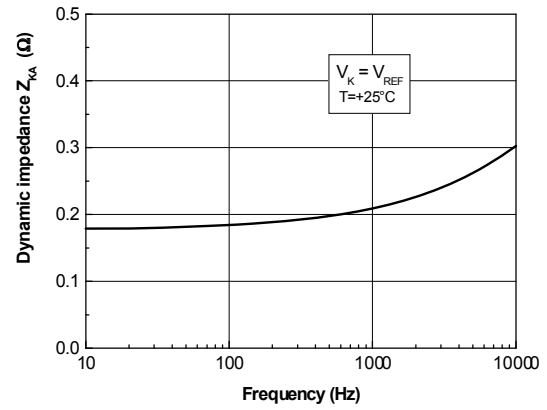


Figure 8. Off-state current vs. temperature

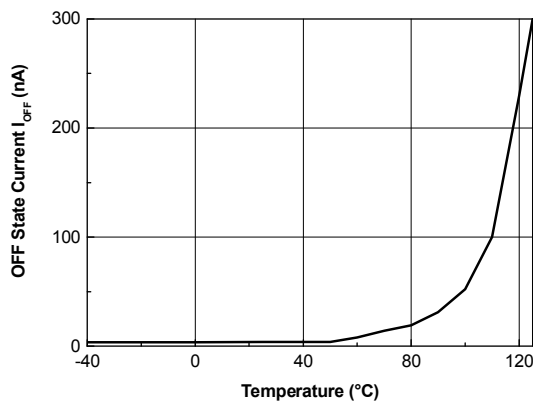


Figure 9. Test circuit for off-state current measurement

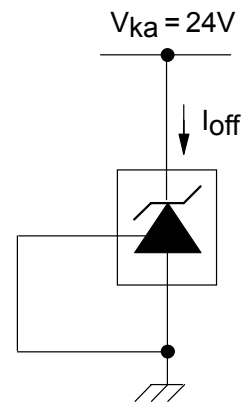


Figure 10. Ratio of change in reference input voltage to change in V_{KA} voltage vs. temperature

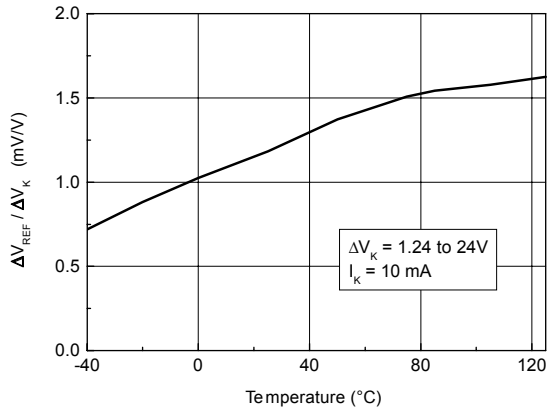


Figure 11. Test circuit for $V_K > V_{REF}$

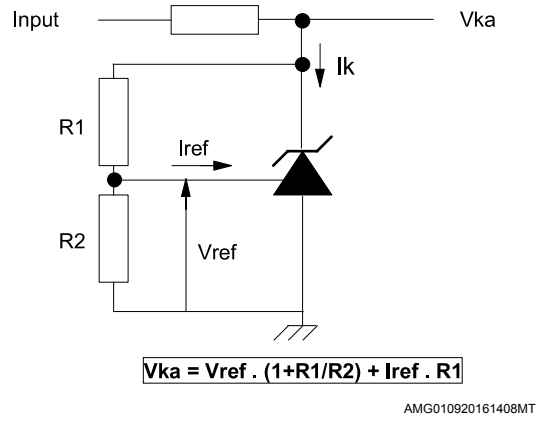


Figure 12. Pulse response at $I_K = 1$ mA

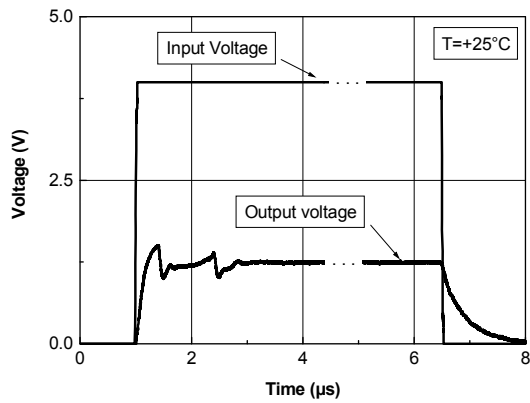


Figure 13. Test circuit for pulse response at $I_K = 10$ mA

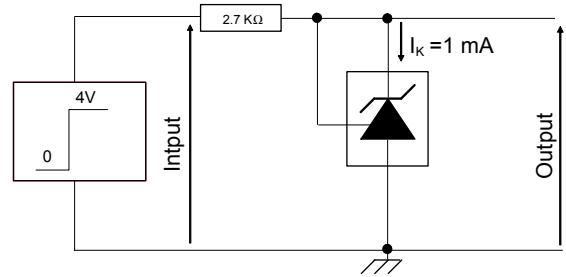


Figure 14. Pulse response at $I_K = 10$ mA

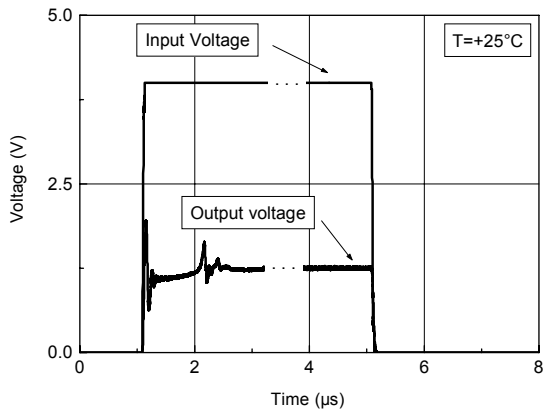


Figure 15. Test circuit for pulse response at $I_K = 10$ mA

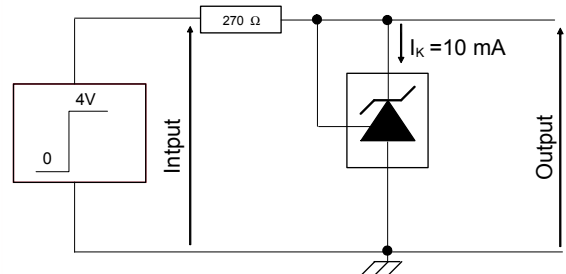


Figure 16. Phase and gain vs. frequency

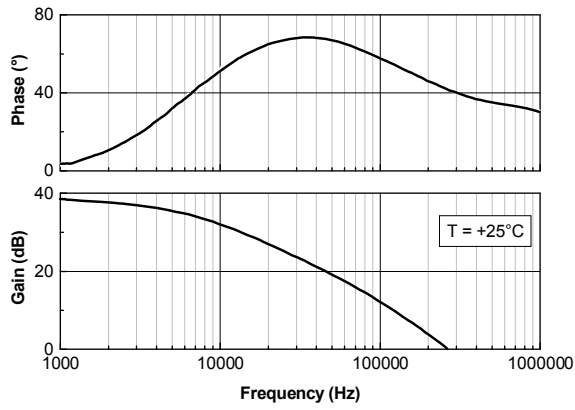


Figure 17. Equivalent input noise vs. frequency

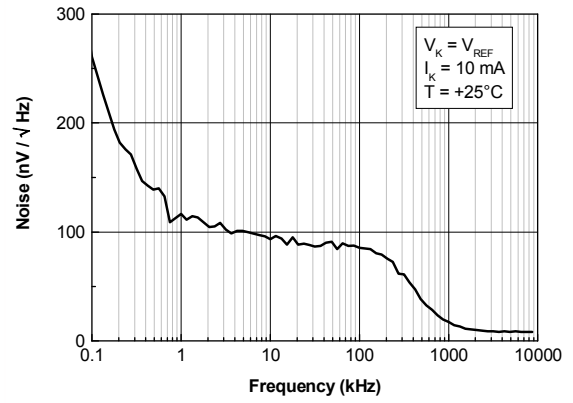
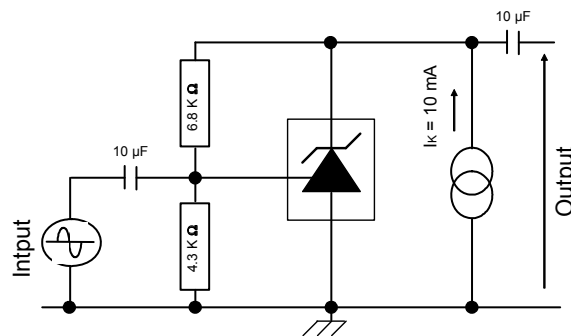


Figure 18. Test circuit for phase and gain measurement



4 Package information

In order to meet environmental requirements, ST offers these devices in different grades of **ECOPACK** packages, depending on their level of environmental compliance. ECOPACK specifications, grade definitions and product status are available at: www.st.com. ECOPACK is an ST trademark.

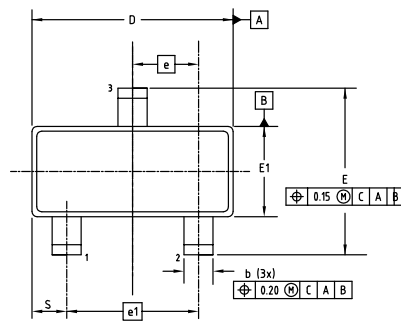
4.1 SOT23-3L package information

Figure 19. SOT23-3L package outline

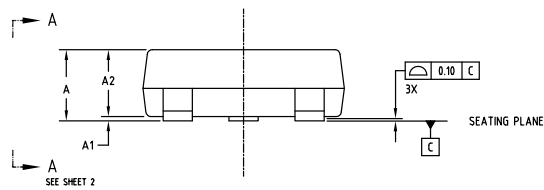
PLANT CODE : 9992

SOT23 3L PITCH 0.95

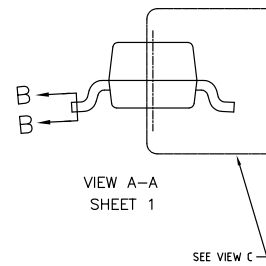
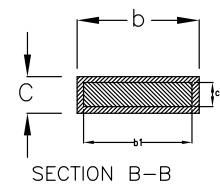
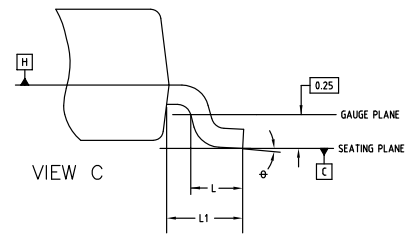
TOP VIEW



SIDE VIEW



SECTION VIEWS



7110469 rev 4.0

Table 4. SOT23-3L package mechanical data

Ref.	Dimensions		
	Min.	Typ.	Max.
A	0.89		1.12
A1	0.013		0.10
A2	0.88	0.95	1.02
b	0.37		0.50 ⁽¹⁾
b1	0.37	0.40	0.45 ⁽¹⁾
c	0.085		0.18 ⁽²⁾
c1	0.085		0.16
D	2.80	2.90	3.04 ⁽³⁾
E	2.10		3.04
E1	1.20	1.30	1.40 ⁽³⁾
e	0.95BSC		
e1		1.90BSC	
*L ⁽⁴⁾	0.28	0.38	0.48
L1		0.55REF	
R	0.05		
R1	0.05		
Θ	0°		8°
s	0.45		0.60

1. These dimensions apply to the flat section of the lead between 0.08 mm and 0.15 mm from the lead tip.
2. The max. value of "c" (terminal thickness) increases to 0.19 mm when Cu base leads are electroplated with Sn or SnPb.
3. Dimension D does not include mold flash, protrusions or gate burrs. Mold flash, protrusions or gate burrs shall not exceed 0.25 mm per side. Dimension E1 does not include interlead flash or protrusion. Interlead flash or protrusion shall not exceed 0.25 mm per side.
4. All dimensions comply with JEDEC T0-236-AB unless otherwise marked with designator " * ".

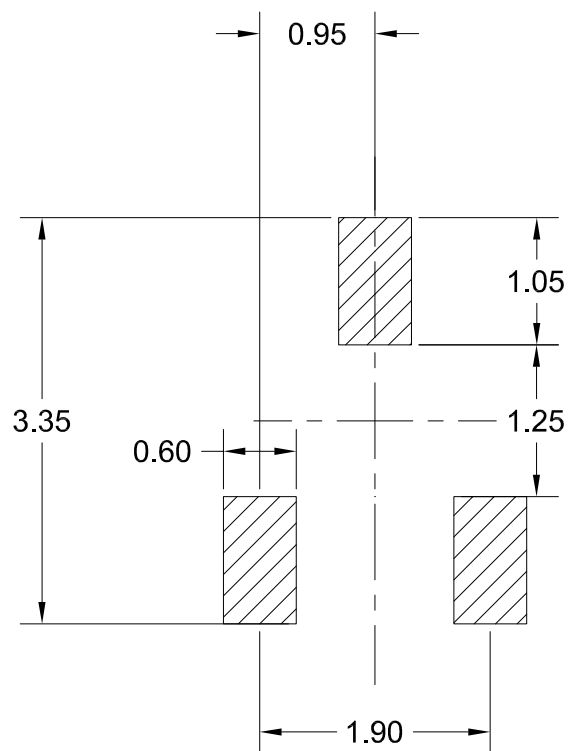
Note: Standard for thermally enhanced plastic small outline transistor. Dimension and tolerance conform to ASME Y14.5M-1994. All dimensions are in millimeters. All angles are in degrees.

Figure 20. SOT23-3L recommended footprint

FOOTPRINT SUGGESTED

PLANT CODE : 9992

SOT23 3L PITCH 0.95



5 Device summary

Table 5. Order code

Order code	Temperature range	Package	Packing	Marking
TS3431ILT	-40 to + 105 °C	SOT23-3L	Tape and reel	L280
TS3431AILT				L281
TS3431BILT				L282
TS3431CILT				L283

Revision history

Table 6. Document revision history

Date	Revision	Changes
1-Jan-2004	1	Initial release.
1-Dec-2004	2	Specific content changes as follows: – CI version added in Table 5: Order code. – Rthjc information added in Table 1: Absolute maximum ratings (AMR). – Test condition added in electrical characteristics Table 3.
26-Jun-2007	3	Removed TO-92 package information and associated order codes. Re-ordered electrical characteristics figures.
30-Aug-2012	4	Added: $V_{ka} = V_{ref}$ parameter in Table 3 on page 5.
04-Dec-2017	5	Updated the title and Section 4.1: SOT23-3L package information. Minor text changes.
27-Jun-2018	6	Updated: Figure 10. Ratio of change in reference input voltage to change in V_{KA} voltage vs. temperature and Figure 11. Test circuit for $V_K > V_{REF}$.
29-May-2019	7	Updated: I_{REF} values in Section 3 Electrical characteristics .

Contents

1	Diagram	2
2	Maximum ratings	3
3	Electrical characteristics	4
3.1	Performance characteristics	4
4	Package information	9
4.1	SOT23-3L package information	10
5	Device summary	13
	Revision history	14

List of tables

Table 1.	Absolute maximum ratings	3
Table 2.	Operating conditions	3
Table 3.	Electrical characteristics	4
Table 4.	SOT23-3L package mechanical data	11
Table 5.	Order code	13
Table 6.	Document revision history	14

List of figures

Figure 1.	Block diagram	2
Figure 2.	Reference voltage vs. temperature	5
Figure 3.	Test circuit for $V_K = V_{ref}$	5
Figure 4.	Cathode voltage vs. cathode current	5
Figure 5.	Minimum operating current vs. temperature	5
Figure 6.	Reference input current vs. temperature	6
Figure 7.	Dynamic impedance vs. frequency	6
Figure 8.	Off-state current vs. temperature	6
Figure 9.	Test circuit for off-state current measurement	6
Figure 10.	Ratio of change in reference input voltage to change in V_{KA} voltage vs. temperature	7
Figure 11.	Test circuit for $V_K > V_{REF}$	7
Figure 12.	Pulse response at $I_K = 1$ mA.	7
Figure 13.	Test circuit for pulse response at $I_K = 10$ mA.	7
Figure 14.	Pulse response at $I_K = 10$ mA.	7
Figure 15.	Test circuit for pulse response at $I_K = 10$ mA.	7
Figure 16.	Phase and gain vs. frequency.	8
Figure 17.	Equivalent input noise vs. frequency	8
Figure 18.	Test circuit for phase and gain measurement	8
Figure 19.	SOT23-3L package outline.	10
Figure 20.	SOT23-3L recommended footprint	12

IMPORTANT NOTICE – PLEASE READ CAREFULLY

STMicroelectronics NV and its subsidiaries (“ST”) reserve the right to make changes, corrections, enhancements, modifications, and improvements to ST products and/or to this document at any time without notice. Purchasers should obtain the latest relevant information on ST products before placing orders. ST products are sold pursuant to ST’s terms and conditions of sale in place at the time of order acknowledgement.

Purchasers are solely responsible for the choice, selection, and use of ST products and ST assumes no liability for application assistance or the design of Purchasers’ products.

No license, express or implied, to any intellectual property right is granted by ST herein.

Resale of ST products with provisions different from the information set forth herein shall void any warranty granted by ST for such product.

ST and the ST logo are trademarks of ST. For additional information about ST trademarks, please refer to www.st.com/trademarks. All other product or service names are the property of their respective owners.

Information in this document supersedes and replaces information previously supplied in any prior versions of this document.

© 2019 STMicroelectronics – All rights reserved

Компания «Океан Электроники» предлагает заключение долгосрочных отношений при поставках импортных электронных компонентов на взаимовыгодных условиях!

Наши преимущества:

- Поставка оригинальных импортных электронных компонентов напрямую с производств Америки, Европы и Азии, а так же с крупнейших складов мира;
- Широкая линейка поставок активных и пассивных импортных электронных компонентов (более 30 млн. наименований);
- Поставка сложных, дефицитных, либо снятых с производства позиций;
- Оперативные сроки поставки под заказ (от 5 рабочих дней);
- Экспресс доставка в любую точку России;
- Помощь Конструкторского Отдела и консультации квалифицированных инженеров;
- Техническая поддержка проекта, помощь в подборе аналогов, поставка прототипов;
- Поставка электронных компонентов под контролем ВП;
- Система менеджмента качества сертифицирована по Международному стандарту ISO 9001;
- При необходимости вся продукция военного и аэрокосмического назначения проходит испытания и сертификацию в лаборатории (по согласованию с заказчиком);
- Поставка специализированных компонентов военного и аэрокосмического уровня качества (Xilinx, Altera, Analog Devices, Intersil, Interpoint, Microsemi, Actel, Aeroflex, Peregrine, VPT, Syfer, Eurofarad, Texas Instruments, MS Kennedy, Miteq, Cobham, E2V, MA-COM, Hittite, Mini-Circuits, General Dynamics и др.);

Компания «Океан Электроники» является официальным дистрибьютором и эксклюзивным представителем в России одного из крупнейших производителей разъемов военного и аэрокосмического назначения «JONHON», а так же официальным дистрибьютором и эксклюзивным представителем в России производителя высокотехнологичных и надежных решений для передачи СВЧ сигналов «FORSTAR».



JONHON

«JONHON» (основан в 1970 г.)

Разъемы специального, военного и аэрокосмического назначения:

(Применяются в военной, авиационной, аэрокосмической, морской, железнодорожной, горно- и нефтедобывающей отраслях промышленности)

«FORSTAR» (основан в 1998 г.)

ВЧ соединители, коаксиальные кабели,
кабельные сборки и микроволновые компоненты:

(Применяются в телекоммуникациях гражданского и специального назначения, в средствах связи, РЛС, а так же военной, авиационной и аэрокосмической отраслях промышленности).



Телефон: 8 (812) 309-75-97 (многоканальный)

Факс: 8 (812) 320-03-32

Электронная почта: ocean@oceanchips.ru

Web: <http://oceanchips.ru/>

Адрес: 198099, г. Санкт-Петербург, ул. Калинина, д. 2, корп. 4, лит. А