



(100A type)

RoHS compliant

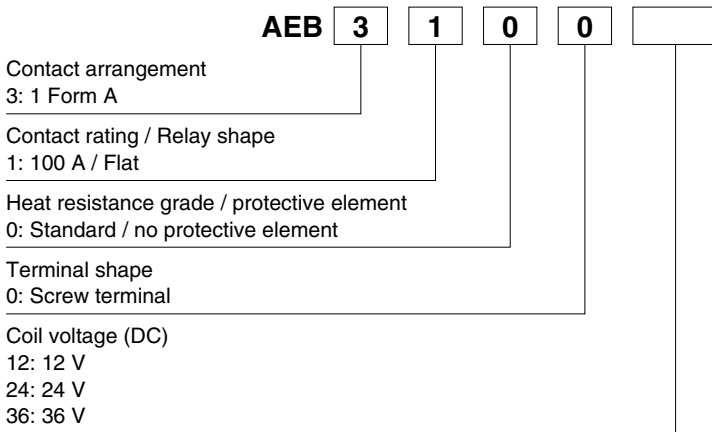
FEATURES

- Compact and high capacity using double contacts in series and permanent magnet installed. (1,000A/3 times) cut-off possible (EB Relay 100A type)
- Compact and lightweight for space savings and improved gas mileage.

TYPICAL APPLICATIONS

Equipment requiring high capacity cutoff such as main power supplies for 42 V vehicles, motor assisters, quick recharging power supplies for AGVs (automatic guided vehicle), and motor controls for forklifts, etc.

ORDERING INFORMATION



TYPES

Contact arrangement	Coil voltage	Protective construction	Terminal shape	Part No.
1 Form A	12 V DC	Dust cover	Screw terminal	AEB310012
	24 V DC			AEB310024
	36 V DC			AEB310036

RATING

1. Coil data

Type	Nominal coil voltage	Pick-up voltage (at 20°C 68°F)	Drop-out voltage (at 20°C 68°F)	Nominal operating current [±10%] (at 20°C 68°F)	Coil resistance [±10%] (at 20°C 68°F)	Nominal operating power (at 20°C 68°F)	Usable voltage range
100 A	12V DC	Max. 9.0 V DC	Min. 1.0 V DC	410 mA	29.0Ω	5.0 W	10 to 16V DC
	24V DC	Max. 18.0 V DC	Min. 2.0 V DC	208 mA	115Ω	5.0 W	20 to 32V DC
	36V DC	Max. 27.0 V DC	Min. 3.0 V DC	139 mA	260Ω	5.0 W	30 to 48V DC

2. Specifications

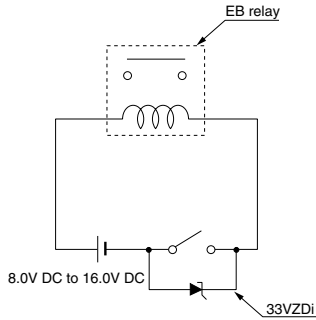
Characteristics	Item		Specifications
Contact rating	Arrangement		100 A type 1 Form A
	Between terminal voltage drop (Initial)		Max. 0.15 V (at 100 A), Max. 0.05 V (at 10 A), Max. 0.01 V (at 1 A)
	Contact material		Ag alloy (Cadmium free)
	Nominal switching capacity (resistive load)		100 A 42V DC
	Max. carrying current		1,000A (0.1s)
	Min. switching capacity (resistive load)*1		1 A 12V DC
	Max. cut-off current		1,000A 42V DC/3 cycle*3
	Overload opening/closing rating		400A 55V DC/10 cycle
Electrical characteristics	Insulation resistance (Initial)		Min. 100 MΩ (at 500V DC)
	Breakdown voltage (Initial)	Between open contacts	1,500 Vrms for 1 min.
		Between contacts and coil	2,500 Vrms for 1 min.
	Operate time (at nominal voltage)		Max. 30ms (at nominal coil voltage, excluding contact bounce time, at 20°C 68°F)
	Release time (at nominal voltage)		Max. 15ms (at nominal coil voltage, at 20°C 68°F)
Mechanical characteristics	Shock resistance	Functional	Min. 196 m/s ² {20.0G} (Half-wave pulse of sine wave: 11ms; detection time: 10μs) (Nominal coil voltage applied to the coil)
		Destructive	Min. 980 m/s ² {100G} (Half-wave pulse of sine wave: 6ms) (Nominal coil voltage applied to the coil or deenergized)
	Vibration resistance	Functional	10 Hz to 500 Hz, Min. 44.1 m/s ² {4.5G} (Nominal coil voltage applied to the coil)
		Destructive	10 Hz to 200 Hz, Min. 44.1 m/s ² {4.5G}, (Nominal coil voltage applied to the coil or deenergized)
Expected life	Mechanical		Min. 10 ⁶
	Electrical		Min. 10 ⁴ (at 100 A 42V DC) (resistive load, operating frequency: 1s ON, 9s OFF, room temperature)
Conditions	Conditions for operation, transport and storage*2		Ambient temperature: -40°C to +85°C -40°F to +185°F
Mass			Approx. 300 g 10.58 oz

Notes: *1. This value can change due to the switching frequency, environmental conditions, and desired reliability level, therefore it is recommended to check this with the actual load.
 *2. The upper operation ambient temperature limit is the maximum temperature that can satisfy the coil temperature rise value. Please refer to "Usage ambient condition" in CAUTIONS FOR USE OF AUTOMOTIVE RELAYS.
 *3. Condition: Condition: Nominal switching 100cycles, each cut off 1,000A
 * When using a surge absorbing element for the relay coil drive circuit, please use with a surge absorbing element with a clamp voltage of "Rating voltage x1.5: 18V/36V/54V" or more. When the coil is connected in parallel with a diode, resistor or capacitor, the revert time will delay which might lead to degradation in shut-off performance and electrical working life.
 Contact terminals have polarity; therefore, please obey the wiring diagram when connecting contacts.
 The electrical load performance value applies when a varistor is connected in parallel with the coil.

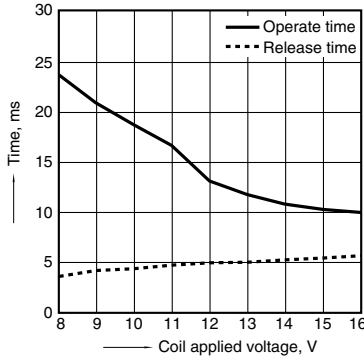
REFERENCE DATA

1. Operate and release time characteristics

Sample: AEB310012
 *nominal coil voltage 12V type, 1pcs
 Load: Coil applied voltage; 8.0 to 16.0V DC, coil surge protection elements; with zener diode (33V)
 Ambient temperature: 25°C 77°F
 Circuit:



Coil applied voltage vs operate and release time

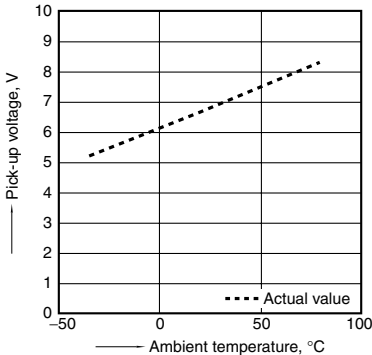


2. Ambient temperature characteristics (Cold start)

Sample: AEB310012
 *nominal coil voltage 12V type
 5pcs

Ambient temperature (°C)	-35	20	80
Standard value (V)	—	9.0	—
Actual value (V)	5.4	6.7	8.3

Ambient temperature vs pick-up voltage (Cold start)



EB (AEB)

3. Carrying current limit (error assumed)

Sample: AEB310012

*nominal coil voltage 12V type

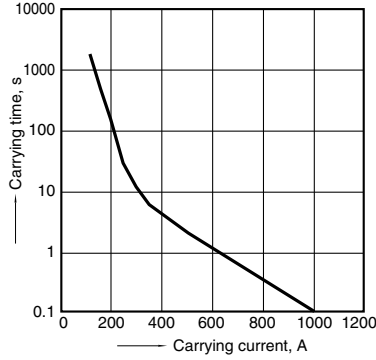
1pcs

Connection electric wire: 40mm²

Ambient temperature: 85°C 185°F

Standard for judgment: Relay contacts off when carrying finished.

Carrying current and carrying time



4. Cut-off characteristics

Sample: AEB310012

*nominal coil voltage 12V type

2pcs

Load: Coil applied voltage; 14V DC

Ambient temperature: Room temperature

Max. cut-off current:

(1) 300A (42V DC: resistive load)

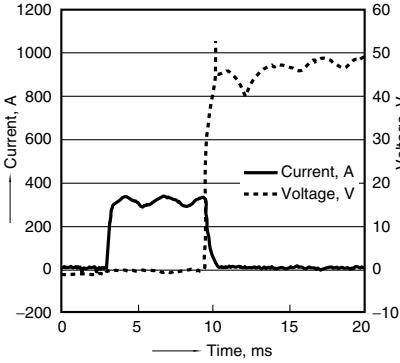
(2) 1,000A (42V DC: resistive load)

Operating cycle:

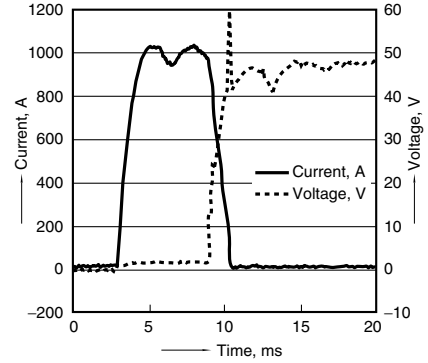
(1) 300A/10 cycles

(2) 1.000A/3 cycles

(1) Cut off current/voltage: 300A/42V DC (resistive load)



(2) Cut off current/voltage: 1,000A/42V DC (resistive load)

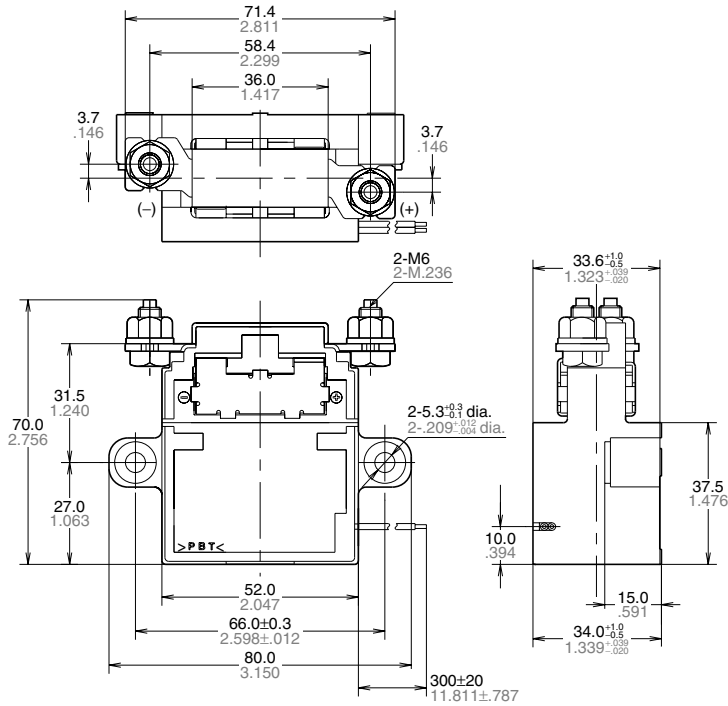


DIMENSIONS (mm inch)

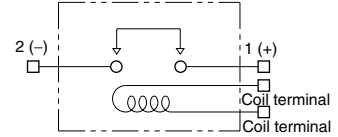
The CAD data of the products with a **CAD Data** mark can be downloaded from: <http://industrial.panasonic.com/ac/e>

CAD Data

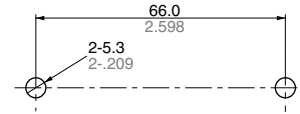
External dimensions



Schematic (TOP VIEW)



Mounting hole pattern (TOP VIEW)



Tolerance: ±0.1 ±.004

General tolerance:

less than 10 .394: ±0.3 ±.012
 10 to 50 .394 to 1.969: ±0.6 ±.024
 more than 50 1.969: ±1.0 ±.039

- Notes:
1. Please be warned that contact terminals have polarity. There is no polarity in the coil input line.
 2. We will make separate consideration if a coil lead wire connector is desired.
 3. M6 tighten torque: 6.0 N·m to 8.0 N·m

NOTES

1. For general cautions for use, please refer to the “CAUTIONS FOR USE OF AUTOMOTIVE RELAYS”.

2. To ensure proper operation, the voltage applied to the coil should be the rated operating voltage of the coil. Also, be aware that the pick-up and drop-out voltages will fluctuate depending on the ambient temperature and operating conditions.

3. Heat, smoke, and even a fire may occur if the relay is used in conditions outside of the allowable ranges for the coil ratings, contact ratings, operating cycle lifetime, and other specifications. Therefore, do not use the relay if these ratings are exceeded.

4. If the relay has been dropped, the appearance and characteristics should always be checked before use.

5. When using this relay for AC load switching, caution is required. Please contact us.

6. Make sure that the relay is wired correctly. Incorrect wiring may cause unexpected events or the generation of heat or flames.

7. We recommend you use a surge absorbing element with a clamp voltage of “Rating voltage x1.5: 18V/36V/54V” or more for the relay coil drive circuit as a means for relay coil surge absorption. Please avoid the use of diodes, capacitors and resistors because they lead to degradation in cut-off performance.

8. Avoid mounting the relay in strong magnetic fields (near a transformer or magnet) or close to an object that radiates heat.

9. Electrical life

This relay is a high-voltage direct-current switch. In its final breakdown mode, it may lose the ability to provide the proper cut-off. Therefore, do not exceed the indicated switching capacity and life. (Please treat the relay as a product with limited life and replace it when necessary.)

In the event that the relay loses cut-off ability, there is a possibility that burning may spread to surrounding parts, so configure the layout so that the power is turned off within one second.

10. If the power is turned off and then immediately on after applying the rated voltage (current) continuously to the relay's coil and contact, the resistance of the coil will increase due to a rise in the coil temperature. This causes the pick-up voltage to rise, and possibly exceed the rated pick-up voltage. In these circumstances, take measures such as reducing the load current, limiting the duration of current flow, and applying a coil voltage higher than the rated operating voltage (quick start).

11. If you are using an inductive load (L load) such that $L/R > 1$ ms, add surge protection in parallel with the inductive load. If this is not done, the electrical life will decrease and cut-off failure may occur.

12. Be careful that foreign matter and oils and fats kind doesn't stick to the main terminal part because it is likely to cause a terminal part to give off unusual heat.

13. Avoid excessive load applied to the terminal in case of installing such as a bus bar etc., because it might give bad influence to the opening and closing performance.

Tighten each of the screws within the rated ranges given below.

Main terminal (M6 screw):

6.0N·m to 8.0N·m

Main unit mounting (M5 screw):

2.5N·m to 3.6N·m

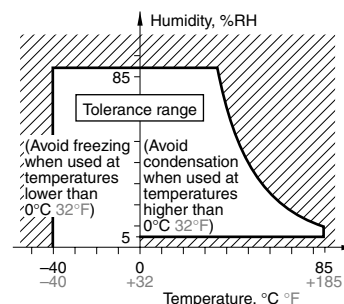
14. Usage, transport and storage conditions

Ambient temperature, humidity, and atmospheric pressure during usage, transport, and storage of the relay:

1) Temperature: -40 to $+85^{\circ}\text{C}$ -40 to $+185^{\circ}\text{F}$

2) Humidity: 5 to 85% RH (Avoid freezing and condensation.)

3) Atmospheric pressure: 85 to 106 kPa
Temperature and humidity range for usage, transport, and storage:



4) Condensation

Condensation forms when there is a sudden change in temperature under high temperature and high humidity conditions. Condensation will cause deterioration of the relay insulation.

5) Freezing

Condensation or other moisture may freeze on the relay when the temperatures is lower than 0°C 32°F . This causes problems such as sticking of movable parts or operational time lags.

6) Low temperature, low humidity environments

The plastic becomes brittle if the relay is exposed to a low temperature, low humidity environment for long periods of time.

For Cautions for Use, see Relay Technical Information.

Mouser Electronics

Authorized Distributor

Click to View Pricing, Inventory, Delivery & Lifecycle Information:

[Panasonic:](#)

[AEB310012](#) [AEB310024](#)

Компания «Океан Электроники» предлагает заключение долгосрочных отношений при поставках импортных электронных компонентов на взаимовыгодных условиях!

Наши преимущества:

- Поставка оригинальных импортных электронных компонентов напрямую с производств Америки, Европы и Азии, а так же с крупнейших складов мира;
- Широкая линейка поставок активных и пассивных импортных электронных компонентов (более 30 млн. наименований);
- Поставка сложных, дефицитных, либо снятых с производства позиций;
- Оперативные сроки поставки под заказ (от 5 рабочих дней);
- Экспресс доставка в любую точку России;
- Помощь Конструкторского Отдела и консультации квалифицированных инженеров;
- Техническая поддержка проекта, помощь в подборе аналогов, поставка прототипов;
- Поставка электронных компонентов под контролем ВП;
- Система менеджмента качества сертифицирована по Международному стандарту ISO 9001;
- При необходимости вся продукция военного и аэрокосмического назначения проходит испытания и сертификацию в лаборатории (по согласованию с заказчиком);
- Поставка специализированных компонентов военного и аэрокосмического уровня качества (Xilinx, Altera, Analog Devices, Intersil, Interpoint, Microsemi, Actel, Aeroflex, Peregrine, VPT, Syfer, Eurofarad, Texas Instruments, MS Kennedy, Miteq, Cobham, E2V, MA-COM, Hittite, Mini-Circuits, General Dynamics и др.);

Компания «Океан Электроники» является официальным дистрибьютором и эксклюзивным представителем в России одного из крупнейших производителей разъемов военного и аэрокосмического назначения «JONHON», а так же официальным дистрибьютором и эксклюзивным представителем в России производителя высокотехнологичных и надежных решений для передачи СВЧ сигналов «FORSTAR».



JONHON

«JONHON» (основан в 1970 г.)

Разъемы специального, военного и аэрокосмического назначения:

(Применяются в военной, авиационной, аэрокосмической, морской, железнодорожной, горно- и нефтедобывающей отраслях промышленности)

«FORSTAR» (основан в 1998 г.)

ВЧ соединители, коаксиальные кабели, кабельные сборки и микроволновые компоненты:

(Применяются в телекоммуникациях гражданского и специального назначения, в средствах связи, РЛС, а так же военной, авиационной и аэрокосмической отраслях промышленности).



Телефон: 8 (812) 309-75-97 (многоканальный)

Факс: 8 (812) 320-03-32

Электронная почта: ocean@oceanchips.ru

Web: <http://oceanchips.ru/>

Адрес: 198099, г. Санкт-Петербург, ул. Калинина, д. 2, корп. 4, лит. А