


Transmit Limit Switch ON/OFF Signals without Making Contact

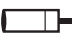
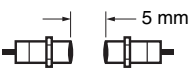
- By using the magnetic coupling between the F92A and Proximity Sensor coils, the ON/OFF signal can be transmitted without a cable. Signals can also be transmitted from rotating or moving objects that are difficult to use with conventional sensors.
- Operates without a power supply, making it easy to use, and requires no maintenance.
- Excellent environmental resistance against oil and dust.
- Magnetic coupling is able to transmit even through resin, glass, or non-metal barriers.



 Be sure to read *Safety Precautions* on page 2.

Ordering Information

F92A

Appearance	 M18
Transmission distance	 5 mm
Model	F92A-C-1

Accessories (Order Separately)

[Mounting Brackets](#)
[Protective Covers](#)

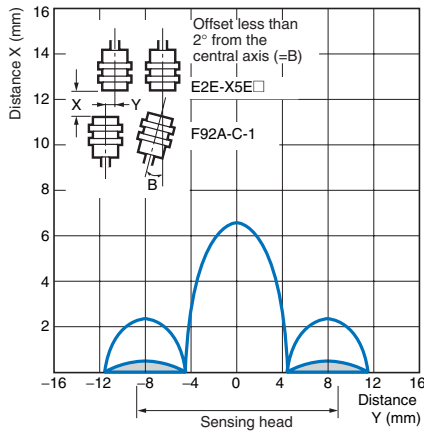
Ratings and Specifications

Item	Model	F92A-C-1
Transmission distance		5 mm (Refer to <i>Safety Precautions</i> on page 2.)
Set transmission distance		0 to 4.5 mm
Response time		1 ms max.
Ambient temperature		Operating/Storage: -25 to 70°C (with no icing and condensation)
Ambient humidity		Operating/Storage: 35% to 95% (with no condensation)
Insulation resistance		50 MΩ min. (at 500 VDC) between lead wires and case
Dielectric strength		1,000 VAC, 50/60 Hz for 1 minute between lead wires and case
Vibration resistance (destruction)		10 to 55 Hz, 1.5-mm double amplitude for 2 hours each in X, Y, and Z directions
Shock resistance (destruction)		1,000 m/s ² 10 times each in X, Y, and Z directions
Degree of protection		IEC IP67, in-house standard for oil resistance
Connection method		Pre-wired Models (Standard cable length: 2 m)
Transmittable Proximity Sensors *		E2E-X5E1, -X5E2, -X5F1, -X5F2, -X5Y1, -X5Y2 E2E2-X5C1, -X5C2, -X5Y1, -X5Y2 E2F-X5E1, -X5E2, -X5F1, -X5F2, -X5Y1, -X5Y2
Weight (packed state)		Approx. 160 g
Materials	Case	Brass
	Sensing surface	ABS

*Information on E2E2 is available on website only. (www.ia.omron.com)

Engineering Data (Typical)

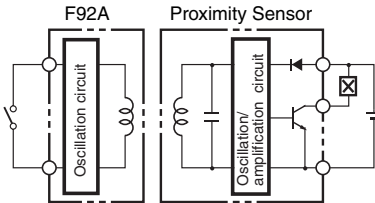
Transmission Area Diagram



Note: Shading indicates the range in which base bracket will be detected even if switch is open.

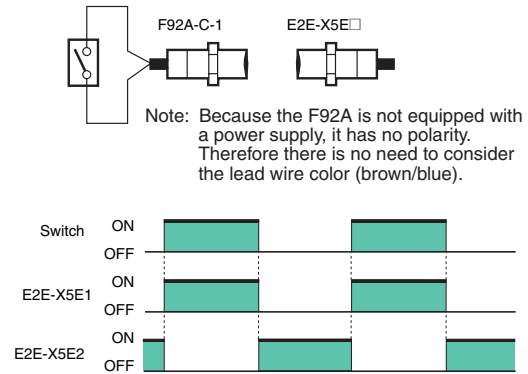
Operating Principle

The Coupler transmits ON/OFF signals by using magnetic coupling between coils. The F92A coil and proximity sensor coil are electromagnetically coupled. When the F92A coil forms a closed loop (when the detecting side limit switch is in the ON state), the effect of the magnetic field created on the proximity sensor coil causes a current to be induced in the F92A closed loop. This induced current causes the proximity sensors power loss to increase, and causes the sensor to enter detecting state.



Connection/Timing Charts

The following diagram is a representative example of an E2E-X5E1. Refer to the information on transmittable proximity sensors in the *Ratings and Specifications* table.



Safety Precautions

WARNING

This product is not designed or rated for ensuring safety of persons. Do not use it for such purpose.



Precautions for Correct Use

Do not use the product in atmospheres or environments that exceed product ratings.

● Designing

- Make sure to use a connecting switch suitable for microloads.
- Use a connecting switch that meets the following requirements.
Contact resistance: 1 Ω max.
Release resistance: 10 MΩ min.
Note: Must be capable of switching at 1 mA, 500 mV.

• Applicable Switches

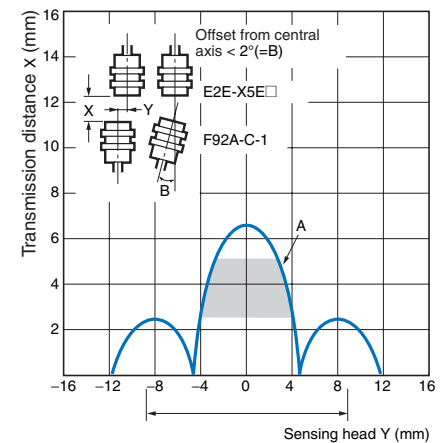
Use a D4C-42□□ or WL01□□□□-55.

● Mounting

By sufficiently reducing the set distance, the Coupler can maintain a high contact reliability for an extended period of time.

● Others

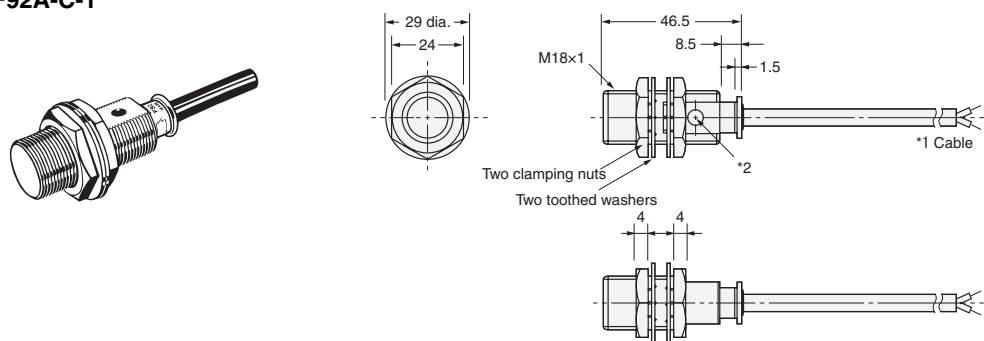
When installing on a rotating object, be sure to set within the A range according to the operating range diagram.



Dimensions

Unless otherwise specified, the tolerance class IT16 is used for dimensions in this data sheet.

F92A-C-1



- *1 6-dia. vinyl-insulated round cable with 2 conductors
(Conductor cross section: 0.5 mm², Insulator diameter: 1.9 mm),
Standard length: 2 m.
The cable can be extended up to 5 m
(using the same type of cable as the cable provided)
- *2 No indicator is provided.

In the interest of product improvement, specifications are subject to change without notice.

Read and Understand This Catalog

Please read and understand this catalog before purchasing the products. Please consult your OMRON representative if you have any questions or comments.

Warranty and Limitations of Liability

WARRANTY

OMRON's exclusive warranty is that the products are free from defects in materials and workmanship for a period of one year (or other period if specified) from date of sale by OMRON.

OMRON MAKES NO WARRANTY OR REPRESENTATION, EXPRESS OR IMPLIED, REGARDING NON-INFRINGEMENT, MERCHANTABILITY, OR FITNESS FOR PARTICULAR PURPOSE OF THE PRODUCTS. ANY BUYER OR USER ACKNOWLEDGES THAT THE BUYER OR USER ALONE HAS DETERMINED THAT THE PRODUCTS WILL SUITABLY MEET THE REQUIREMENTS OF THEIR INTENDED USE. OMRON DISCLAIMS ALL OTHER WARRANTIES, EXPRESS OR IMPLIED.

LIMITATIONS OF LIABILITY

OMRON SHALL NOT BE RESPONSIBLE FOR SPECIAL, INDIRECT, OR CONSEQUENTIAL DAMAGES, LOSS OF PROFITS OR COMMERCIAL LOSS IN ANY WAY CONNECTED WITH THE PRODUCTS, WHETHER SUCH CLAIM IS BASED ON CONTRACT, WARRANTY, NEGLIGENCE, OR STRICT LIABILITY.

In no event shall the responsibility of OMRON for any act exceed the individual price of the product on which liability is asserted.

IN NO EVENT SHALL OMRON BE RESPONSIBLE FOR WARRANTY, REPAIR, OR OTHER CLAIMS REGARDING THE PRODUCTS UNLESS OMRON'S ANALYSIS CONFIRMS THAT THE PRODUCTS WERE PROPERLY HANDLED, STORED, INSTALLED, AND MAINTAINED AND NOT SUBJECT TO CONTAMINATION, ABUSE, MISUSE, OR INAPPROPRIATE MODIFICATION OR REPAIR.

Application Considerations

SUITABILITY FOR USE

OMRON shall not be responsible for conformity with any standards, codes, or regulations that apply to the combination of products in the customer's application or use of the products.

At the customer's request, OMRON will provide applicable third party certification documents identifying ratings and limitations of use that apply to the products. This information by itself is not sufficient for a complete determination of the suitability of the products in combination with the end product, machine, system, or other application or use.

The following are some examples of applications for which particular attention must be given. This is not intended to be an exhaustive list of all possible uses of the products, nor is it intended to imply that the uses listed may be suitable for the products:

- Outdoor use, uses involving potential chemical contamination or electrical interference, or conditions or uses not described in this catalog.
- Nuclear energy control systems, combustion systems, railroad systems, aviation systems, medical equipment, amusement machines, vehicles, safety equipment, and installations subject to separate industry or government regulations.
- Systems, machines, and equipment that could present a risk to life or property.

Please know and observe all prohibitions of use applicable to the products.

NEVER USE THE PRODUCTS FOR AN APPLICATION INVOLVING SERIOUS RISK TO LIFE OR PROPERTY WITHOUT ENSURING THAT THE SYSTEM AS A WHOLE HAS BEEN DESIGNED TO ADDRESS THE RISKS, AND THAT THE OMRON PRODUCTS ARE PROPERLY RATED AND INSTALLED FOR THE INTENDED USE WITHIN THE OVERALL EQUIPMENT OR SYSTEM.

PROGRAMMABLE PRODUCTS

OMRON shall not be responsible for the user's programming of a programmable product, or any consequence thereof.

Disclaimers

CHANGE IN SPECIFICATIONS

Product specifications and accessories may be changed at any time based on improvements and other reasons.

It is our practice to change model numbers when published ratings or features are changed, or when significant construction changes are made. However, some specifications of the products may be changed without any notice. When in doubt, special model numbers may be assigned to fix or establish key specifications for your application on your request. Please consult with your OMRON representative at any time to confirm actual specifications of purchased products.

DIMENSIONS AND WEIGHTS

Dimensions and weights are nominal and are not to be used for manufacturing purposes, even when tolerances are shown.

PERFORMANCE DATA

Performance data given in this catalog is provided as a guide for the user in determining suitability and does not constitute a warranty. It may represent the result of OMRON's test conditions, and the users must correlate it to actual application requirements. Actual performance is subject to the OMRON Warranty and Limitations of Liability.

ERRORS AND OMISSIONS

The information in this document has been carefully checked and is believed to be accurate; however, no responsibility is assumed for clerical, typographical, or proofreading errors, or omissions.

2011.12

In the interest of product improvement, specifications are subject to change without notice.

OMRON Corporation
Industrial Automation Company

<http://www.ia.omron.com/>

(c)Copyright OMRON Corporation 2011 All Right Reserved.

Mouser Electronics

Authorized Distributor

Click to View Pricing, Inventory, Delivery & Lifecycle Information:

[Omron:](#)

[F92A-C-1](#)

Компания «Океан Электроники» предлагает заключение долгосрочных отношений при поставках импортных электронных компонентов на взаимовыгодных условиях!

Наши преимущества:

- Поставка оригинальных импортных электронных компонентов напрямую с производств Америки, Европы и Азии, а так же с крупнейших складов мира;
- Широкая линейка поставок активных и пассивных импортных электронных компонентов (более 30 млн. наименований);
- Поставка сложных, дефицитных, либо снятых с производства позиций;
- Оперативные сроки поставки под заказ (от 5 рабочих дней);
- Экспресс доставка в любую точку России;
- Помощь Конструкторского Отдела и консультации квалифицированных инженеров;
- Техническая поддержка проекта, помощь в подборе аналогов, поставка прототипов;
- Поставка электронных компонентов под контролем ВП;
- Система менеджмента качества сертифицирована по Международному стандарту ISO 9001;
- При необходимости вся продукция военного и аэрокосмического назначения проходит испытания и сертификацию в лаборатории (по согласованию с заказчиком);
- Поставка специализированных компонентов военного и аэрокосмического уровня качества (Xilinx, Altera, Analog Devices, Intersil, Interpoint, Microsemi, Actel, Aeroflex, Peregrine, VPT, Syfer, Eurofarad, Texas Instruments, MS Kennedy, Miteq, Cobham, E2V, MA-COM, Hittite, Mini-Circuits, General Dynamics и др.);

Компания «Океан Электроники» является официальным дистрибьютором и эксклюзивным представителем в России одного из крупнейших производителей разъемов военного и аэрокосмического назначения «JONHON», а так же официальным дистрибьютором и эксклюзивным представителем в России производителя высокотехнологичных и надежных решений для передачи СВЧ сигналов «FORSTAR».



JONHON

«JONHON» (основан в 1970 г.)

Разъемы специального, военного и аэрокосмического назначения:

(Применяются в военной, авиационной, аэрокосмической, морской, железнодорожной, горно- и нефтедобывающей отраслях промышленности)

«FORSTAR» (основан в 1998 г.)

ВЧ соединители, коаксиальные кабели, кабельные сборки и микроволновые компоненты:

(Применяются в телекоммуникациях гражданского и специального назначения, в средствах связи, РЛС, а так же военной, авиационной и аэрокосмической отраслях промышленности).



Телефон: 8 (812) 309-75-97 (многоканальный)

Факс: 8 (812) 320-03-32

Электронная почта: ocean@oceanchips.ru

Web: <http://oceanchips.ru/>

Адрес: 198099, г. Санкт-Петербург, ул. Калинина, д. 2, корп. 4, лит. А