



FCIconnect.com

Copyright FCI.

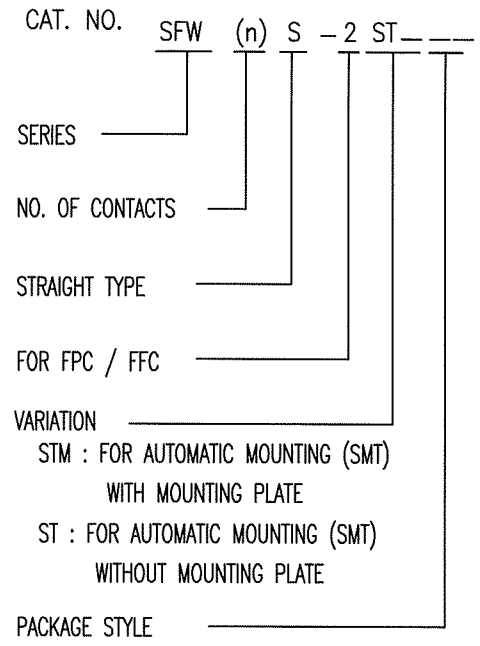
Configuration of Documents

| P/N | Documents | No. | Title | CAT.No. |
|------------------|------------------------------|-------------|--|----------------|
| SFW_S-25T(M)E1 | Specification Connector dwg. | SC-SFWS01 | CAT.NO.TABLE FOR 1mm SPACING SMT CONNECTOR | SFW_S-25T |
| | | JSA93342 | 1mm SPACING SURFACE MOUNT FPC/FFC CONNECTOR | SFW_S-25T |
| | | JSA93579 | 1mm SPACING SURFACE MOUNT FPC/FFC CONNECTOR | SFW_S-25TM |
| | | JSA93836 | CAT. NO. TABLE FOR PLASTIC TAPE PACKAGED 1mm SPACING SMT CONN. | SFW_S-25T_E1 |
| | | JSA93343 | PLASTIC TAPE PACKAGED 1mm SPACING SMT CONNECTOR | SFW_S-25T_E1 |
| | | JSA93338 | RECOMMENDED CABLE | SFW_S-25T |
| | | JSA93340 | RECOMMENDED CABLE | SFW_S-25T |
| | | JSA93341 | RECOMMENDED CABLE | SFW_S-25T |
| | | BJM-SFWS101 | RECOMMENDED CABLE | SFW_S-25T |
| | | JSA93900 | RECOMMENDED CABLE | SFW_S-25T |
| SFW_S-65T(M)E1 | Specification Connector dwg. | SC-SFWS02 | CAT.NO.TABLE FOR 1mm SPACING SMT CONNECTOR | SFW_S-65T |
| | | JSA93900 | 1mm SPACING SURFACE MOUNT C/C CONNECTOR | SFW_S-65T |
| | | JSA93905 | 1mm SPACING SURFACE MOUNT C/C CONNECTOR | SFW_S-65TM |
| | | JSA93901 | CAT. NO. TABLE FOR PLASTIC TAPE PACKAGED 1mm SPACING SMT CONN. | SFW_S-65T_E1 |
| | | JSA93902 | PLASTIC TAPE PACKAGED 1mm SPACING SMT CONNECTOR | SFW_S-65T_E1 |
| | | JSA93903 | RECOMMENDED CABLE | SFW_S-65T |
| | | JSA93904 | RECOMMENDED CABLE | SFW_S-65T |
| | | BJM-SFWS102 | RECOMMENDED CABLE | SFW_S-65T |
| | | JSA96516 | RECOMMENDED CABLE | SFW_S-65T |
| | | JSA96517 | RECOMMENDED CABLE | SFW_S-65T |
| SFW_S-25T(M)E1LF | Specification Connector dwg. | SC-SFWS03 | CAT.NO.TABLE FOR 1mm SPACING SMT CONNECTOR | SFW_S-25T_LF |
| | | JSA96516 | 1mm SPACING SURFACE MOUNT FPC/FFC CONNECTOR | SFW_S-25T_LF |
| | | JSA96517 | 1mm SPACING SURFACE MOUNT FPC/FFC CONNECTOR | SFW_S-25TM_LF |
| | | JSA96518 | CAT. NO. TABLE FOR PLASTIC TAPE PACKAGED 1mm SPACING SMT CONN. | SFW_S-25T_E1LF |
| | | JSA96519 | PLASTIC TAPE PACKAGED 1mm SPACING SMT CONNECTOR | SFW_S-25T_E1LF |
| | | JSA96520 | RECOMMENDED CABLE | SFW_S-25T_LF |
| | | JSA93340 | RECOMMENDED CABLE | SFW_S-25T_LF |
| | | JSA93341 | RECOMMENDED CABLE | SFW_S-25T_LF |
| | | BJM-SFWS101 | RECOMMENDED CABLE | SFW_S-25T_LF |
| | | JSA96521 | RECOMMENDED CABLE | SFW_S-25T_LF |
| SFW_S-65T(M)E1LF | Specification Connector dwg. | SC-SFWS04 | CAT. NO. TABLE FOR 1mm SPACING SMT CONNECTOR | SFW_S-65T_LF |
| | | JSA96521 | 1mm SPACING SURFACE MOUNT C/C CONNECTOR | SFW_S-65T_LF |
| | | JSA96522 | 1mm SPACING SURFACE MOUNT C/C CONNECTOR | SFW_S-65TM_LF |
| | | JSA96523 | CAT. NO. TABLE FOR PLASTIC TAPE PACKAGED 1mm SPACING SMT CONN. | SFW_S-65T_E1LF |
| | | JSA96524 | PLASTIC TAPE PACKAGED 1mm SPACING SMT CONNECTOR | SFW_S-65T_E1LF |
| | | JSA96525 | RECOMMENDED CABLE | SFW_S-65T_LF |
| | | JSA93904 | RECOMMENDED CABLE | SFW_S-65T_LF |
| | | BJM-SFWS102 | RECOMMENDED CABLE | SFW_S-65T_LF |
| | | JSA96526 | RECOMMENDED CABLE | SFW_S-65T_LF |
| | | JSA96527 | RECOMMENDED CABLE | SFW_S-65T_LF |

| | | | | | | | | | |
|-------------|----------------|--|-----------|---------------------------------------|--|---|--|-------------------------------|--|
| mat'l. code | | surface 58 / tolerance ISO 1302 / ISO 406 / ISO 1101 | | projection | | product family 58SF | | CODE JP | |
| ltr | ecn no | dr | date | tolerances unless otherwise specified | | title | | sheet 1 of 1 | |
| A | J05-0334 | H.T | 6/3/'05 | angles linear | | SFW_S Documents Configuration (1mm Spacing connector) | | size A4 | |
| B | J05-0377 | H.T | 6/22/'05 | mm | | scale | | sheet | |
| C | J06-0430 | H.T | 10/19/'06 | dr | | FCI | | type Product Customer Drawing | |
| | | | | engr | | JSA96060 | | Rev. C | |
| | | | | chr | | sheet 1 of 1 | | C | |
| | | | | appd | | type | | C | |
| sheet index | revision sheet | C | 1 | | | | | | |

CAT. NO. & DIMENSIONS

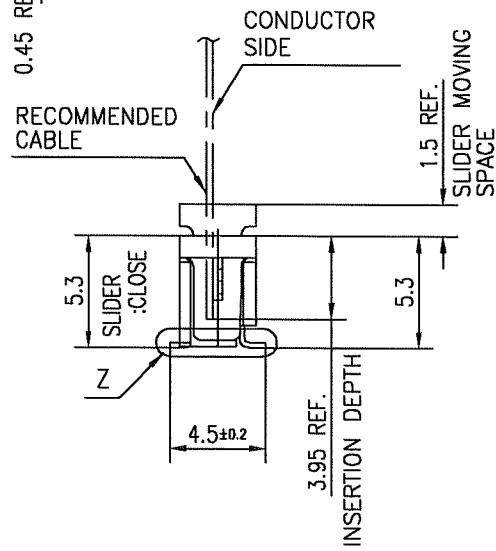
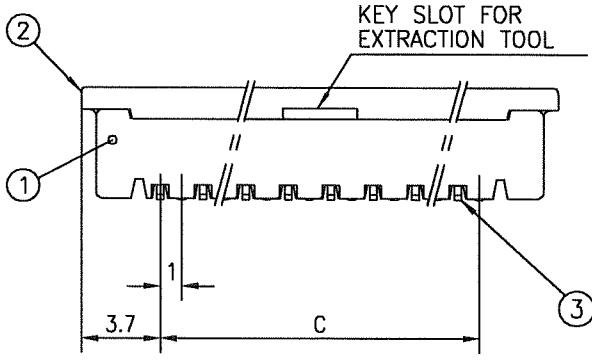
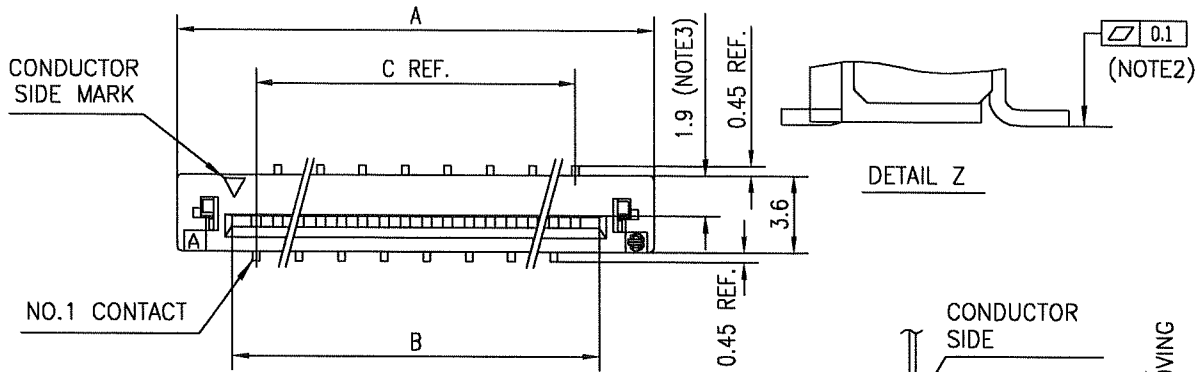
| NOTE3 | NO. OF CONTACTS (n) | CAT. NO. | DIMENSIONS (NOTE2) | | |
|-------|---------------------|----------------|--------------------|--------|--------|
| | | | A ±0.2 | B ±0.2 | C ±0.2 |
| | 4 | SFW4S-2ST____ | 10.4 | 5.24 | 3 |
| | 5 | SFW5S-2ST____ | 11.4 | 6.24 | 4 |
| | 6 | SFW6S-2ST____ | 12.4 | 7.24 | 5 |
| * | 7 | SFW7S-2ST____ | 13.4 | 8.24 | 6 |
| | 8 | SFW8S-2ST____ | 14.4 | 9.24 | 7 |
| * | 9 | SFW9S-2ST____ | 15.4 | 10.24 | 8 |
| | 10 | SFW10S-2ST____ | 16.4 | 11.24 | 9 |
| | 11 | SFW11S-2ST____ | 17.4 | 12.24 | 10 |
| * | 12 | SFW12S-2ST____ | 18.4 | 13.24 | 11 |
| | 13 | SFW13S-2ST____ | 19.4 | 14.24 | 12 |
| | 14 | SFW14S-2ST____ | 20.4 | 15.24 | 13 |
| | 15 | SFW15S-2ST____ | 21.4 | 16.24 | 14 |
| | 16 | SFW16S-2ST____ | 22.4 | 17.24 | 15 |
| | 17 | SFW17S-2ST____ | 23.4 | 18.24 | 16 |
| * | 18 | SFW18S-2ST____ | 24.4 | 19.24 | 17 |
| * | 19 | SFW19S-2ST____ | 25.4 | 20.24 | 18 |
| | 20 | SFW20S-2ST____ | 26.4 | 21.24 | 19 |
| * | 21 | SFW21S-2ST____ | 27.4 | 22.24 | 20 |
| | 22 | SFW22S-2ST____ | 28.4 | 23.24 | 21 |
| | 23 | SFW23S-2ST____ | 29.4 | 24.24 | 22 |
| | 24 | SFW24S-2ST____ | 30.4 | 25.24 | 23 |
| * | 25 | SFW25S-2ST____ | 31.4 | 26.24 | 24 |
| | 26 | SFW26S-2ST____ | 32.4 | 27.24 | 25 |
| * | 27 | SFW27S-2ST____ | 33.4 | 28.24 | 26 |
| | 28 | SFW28S-2ST____ | 34.4 | 29.24 | 27 |
| | 29 | SFW29S-2ST____ | 35.4 | 30.24 | 28 |
| | 30 | SFW30S-2ST____ | 36.4 | 31.24 | 29 |
| * | 31 | SFW31S-2ST____ | 37.4 | 32.24 | 30 |
| * | 32 | SFW32S-2ST____ | 38.4 | 33.24 | 31 |



NOTES

1. THIS PRODUCT IS THE CONNECTOR, DESIGNED TO TERMINATE FPC/FCC AND COPE WITH AUTOMATIC MOUNTING (SMT).
2. SEE PART DRAWINGS FOR DIMENSIONS A.B.C.
3. PLEASE CONSULT US IN CASE OF USING PARTS WITH * MARK

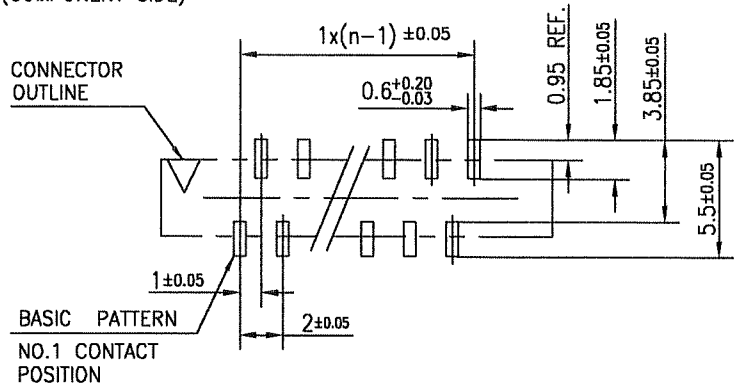
| | | | | | | | | | | | |
|--------------------|----------|------------------|------------|--|--|------------|--|--|--|-------------------------------|--|
| mat'l. code | | | | surface 58 / tolerance ISO 1302 / ISO 406 / ISO 1101 | | projection | | product family 58SF | | CODE JP | |
| ltr ecn no dr date | | | | tolerances unless otherwise specified | | mm | | title CAT. NO. TABLE FOR 1mm SPACING SMT CONNECTOR (CAT.No.SFW__S-2ST__) | | | |
| AA | J04-0333 | H.T | 2004-10-13 | angles linear | | scale X | | dwg no sheet 1 of 1 size | | A4 | |
| AB | J05-0547 | H.T | 2005-8-30 | engr | | FCJ | | JSA 93342 | | type Product Customer Drawing | |
| AC | J06-0430 | H.T | 2006-10-19 | chr | | | | | | | |
| AD | J07-0407 | H.T | 2007-8-9 | appd | | | | | | | |
| sheet index | | revision sheet 1 | | AD | | | | | | Rev AD | |



| PT. NO. | PARTS NAME | MATERIAL | Q'TY | NOTE |
|---------|------------|---|------|-------------------|
| 1 | HOUSING | GLASS FILLED THERMOPLASTIC RATED. (UL94V-0) | 1 | COLOR:BROWN |
| 2 | SLIDER | PHOSPHOR BRONZE | 1 | COLOR:BLACK |
| 3 | CONTACT | PHOSPHOR BRONZE | n | PLATING:TIN ALLOY |

n : NO. OF CONTACTS

RECOMMENDED PC BOARD LAYOUT (COMPONENT SIDE)



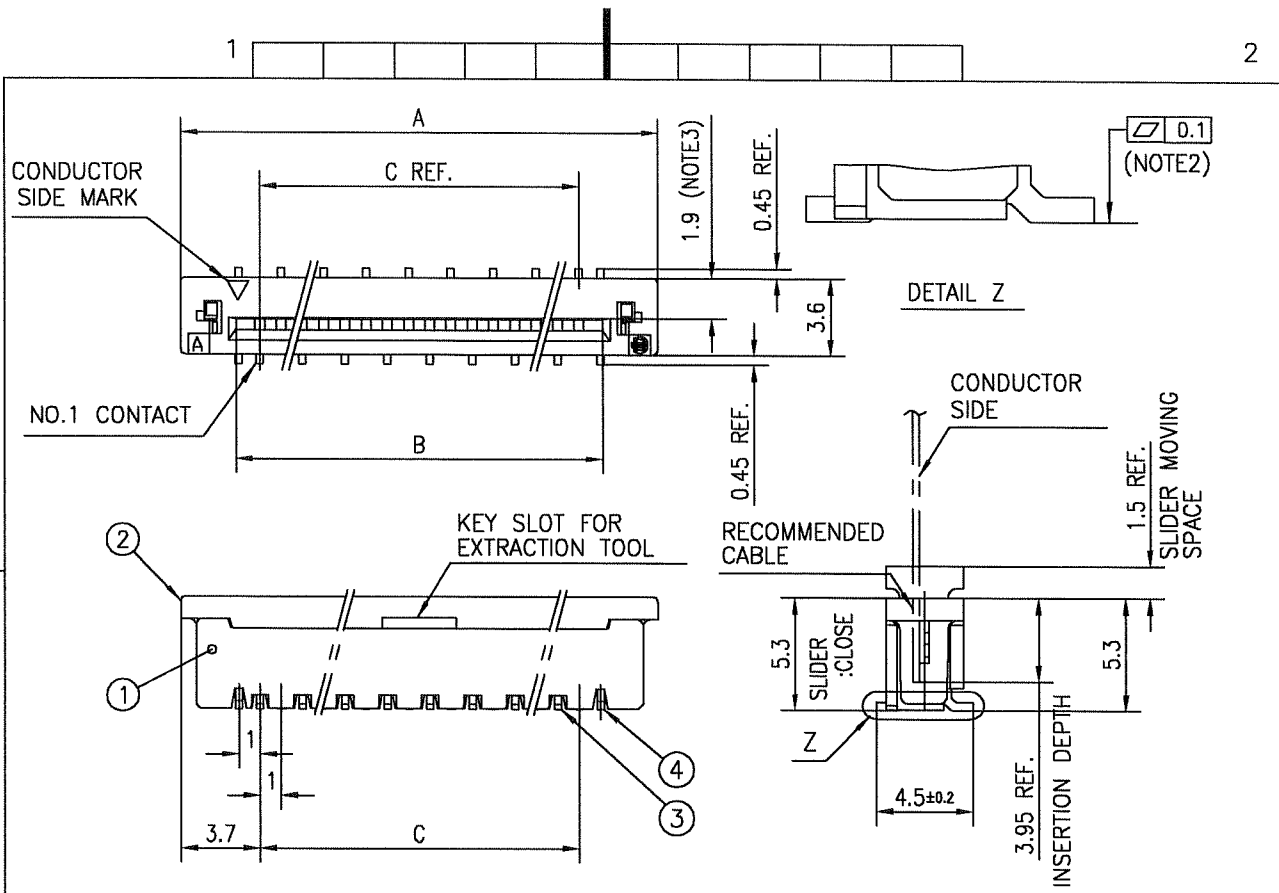
NOTES

1. THIS PRODUCT IS THE CONNECTOR DESIGNED TO TERMINATE FPC/FFC AND COPES WITH AUTOMATIC MOUNTING (SMT).
2. FLATNESS OF CONTACT TERMINAL MUST BE WITHIN TOLERANCE IN Z PORTION DETAILED DRAWING.
3. THIS DIMENSION IS SPACE FOR THE NOZZLE OF MOUNTER.

| | | | | | | | | | | | |
|---------------------------|--|-------------|--|--|--|------------|--|---|--|---------|--|
| mat'l. code | | | | surface 5B / tolerance ISO 1302 ✓ / ISO 406 / ISO 1101 | | projection | | product family 58SF | | CODE JP | |
| ltr ecn no dr date | | | | tolerances unless otherwise specified | | mm | | title | | | |
| AA J04-0333 H.T Oct.13/04 | | | | ±0.2 | | mm | | 1mm SPACING SURFACE MOUNT FPC/FFC CONNECTOR (CAT.No.SFW__S-2ST__) | | | |
| AB J06-0430 H.T 10/19/06 | | | | angles linear | | scale X | | dwg no sheet 1 of 1 size | | A4 | |
| | | | | dr 10/19/06 | | FCI | | JSA 93579 | | | |
| | | | | enr 10/19/06 | | | | type Product Customer Drawing | | | |
| | | | | chr 10/18/06 | | | | | | Rev. AB | |
| | | | | appd 10/20/06 | | | | | | | |
| sheet index | | revision AB | | | | | | | | | |
| 1 | | 1 | | | | | | | | | |



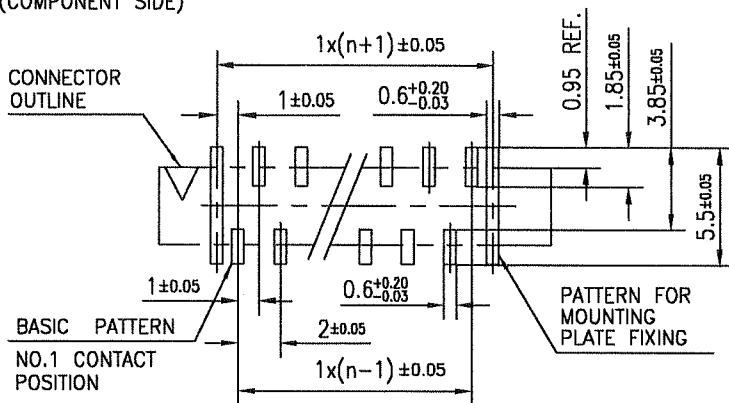
Copyright FCI.



| PT. NO. | PARTS NAME | MATERIAL | Q'TY | NOTE |
|---------|----------------|---|------|-------------------|
| 1 | HOUSING | GLASS FILLED THERMOPLASTIC RATED. (UL94V-0) | 1 | COLOR:BROWN |
| 2 | SLIDER | | 1 | COLOR:BLACK |
| 3 | CONTACT | PHOSPHOR BRONZE | n | PLATING:TIN ALLOY |
| 4 | MOUNTING PLATE | BRASS | 2 | |

n : NO. OF CONTACTS

RECOMMENDED PC BOARD LAYOUT (COMPONENT SIDE)



NOTES

1. THIS PRODUCT IS THE CONNECTOR DESIGNED TO TERMINATE FPC/FFC AND COPE WITH AUTOMATIC MOUNTING (SMT).
2. FLATNESS OF CONTACT TERMINAL AND MOUNTING PLATE MUST BE WITHIN TOLERANCE IN Z PORTION DETAILED DRAWING.
3. THIS DIMENSION IS SPACE FOR THE NOZZLE OF MOUNTER.

| | | | | | | | | | | | |
|----------------------------|--|----------------|--|--|--|------------|--|--|--|-------------------|--|
| mat'l. code | | | | surface 58 / tolerance ISO 1302 ✓ ISO 406 ISO 1101 | | projection | | product family 58SF | | CODE JP | |
| ltr ecn no dr date | | | | tolerances unless otherwise specified | | mm | | title | | | |
| AA J04-0333 H.T. Oct.13/04 | | | | angles linear ±0.2 | | mm | | 1mm SPACING SURFACE MOUNT FPC/FFC CONNECTOR (CAT.No.SFW__S-2STM__) | | | |
| AB J06-0430 H.T. 10/19/06 | | | | | | scale X | | dwg no | | sheet 1 of 1 size | |
| | | | | dr H. S. / 12/19/06 | | FCI | | JSA 93836 | | A4 | |
| | | | | enr H. S. / 10/19/06 | | | | type Product Customer Drawing | | | |
| | | | | chr R. S. / 10/19/06 | | | | | | Rev AB | |
| | | | | appd S. S. / 10/20/06 | | | | | | | |
| sheet index | | revision sheet | | AB 1 | | | | | | | |

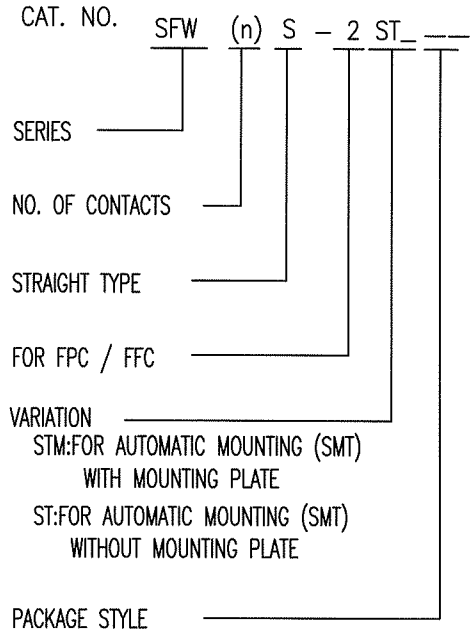


FCIconnect.com

Copyright FCI.

CAT. NO. & DIMENSIONS

| (NOTE4) | NO. OF CONTACTS (n) | CAT. NO. (NOTE2) | DIMENSIONS (NOTE3) | | |
|---------|---------------------|------------------|--------------------|---------|---------|
| | | | D ± 5 | E ± 0.3 | F ± 0.1 |
| | 4 | SFW4S-2ST_E1 | 28.4 | 24 | — |
| | 5 | SFW5S-2ST_E1 | 28.4 | 24 | — |
| | 6 | SFW6S-2ST_E1 | 28.4 | 24 | — |
| * | 7 | SFW7S-2ST_E1 | 28.4 | 24 | — |
| | 8 | SFW8S-2ST_E1 | 28.4 | 24 | — |
| * | 9 | SFW9S-2ST_E1 | 28.4 | 24 | — |
| | 10 | SFW10S-2ST_E1 | 28.4 | 24 | — |
| | 11 | SFW11S-2ST_E1 | 28.4 | 24 | — |
| * | 12 | SFW12S-2ST_E1 | 36.4 | 32 | 28.4 |
| | 13 | SFW13S-2ST_E1 | 36.4 | 32 | 28.4 |
| | 14 | SFW14S-2ST_E1 | 36.4 | 32 | 28.4 |
| | 15 | SFW15S-2ST_E1 | 36.4 | 32 | 28.4 |
| | 16 | SFW16S-2ST_E1 | 48.4 | 44 | 40.4 |
| | 17 | SFW17S-2ST_E1 | 48.4 | 44 | 40.4 |
| * | 18 | SFW18S-2ST_E1 | 48.4 | 44 | 40.4 |
| * | 19 | SFW19S-2ST_E1 | 48.4 | 44 | 40.4 |
| | 20 | SFW20S-2ST_E1 | 48.4 | 44 | 40.4 |
| * | 21 | SFW21S-2ST_E1 | 48.4 | 44 | 40.4 |
| | 22 | SFW22S-2ST_E1 | 48.4 | 44 | 40.4 |
| | 23 | SFW23S-2ST_E1 | 48.4 | 44 | 40.4 |
| | 24 | SFW24S-2ST_E1 | 48.4 | 44 | 40.4 |
| * | 25 | SFW25S-2ST_E1 | 48.4 | 44 | 40.4 |
| | 26 | SFW26S-2ST_E1 | 48.4 | 44 | 40.4 |
| * | 27 | SFW27S-2ST_E1 | 60.4 | 56 | 52.4 |
| | 28 | SFW28S-2ST_E1 | 60.4 | 56 | 52.4 |
| | 29 | SFW29S-2ST_E1 | 60.4 | 56 | 52.4 |
| | 30 | SFW30S-2ST_E1 | 60.4 | 56 | 52.4 |
| * | 31 | SFW31S-2ST_E1 | 60.4 | 56 | 52.4 |
| * | 32 | SFW32S-2ST_E1 | 60.4 | 56 | 52.4 |



NOTES

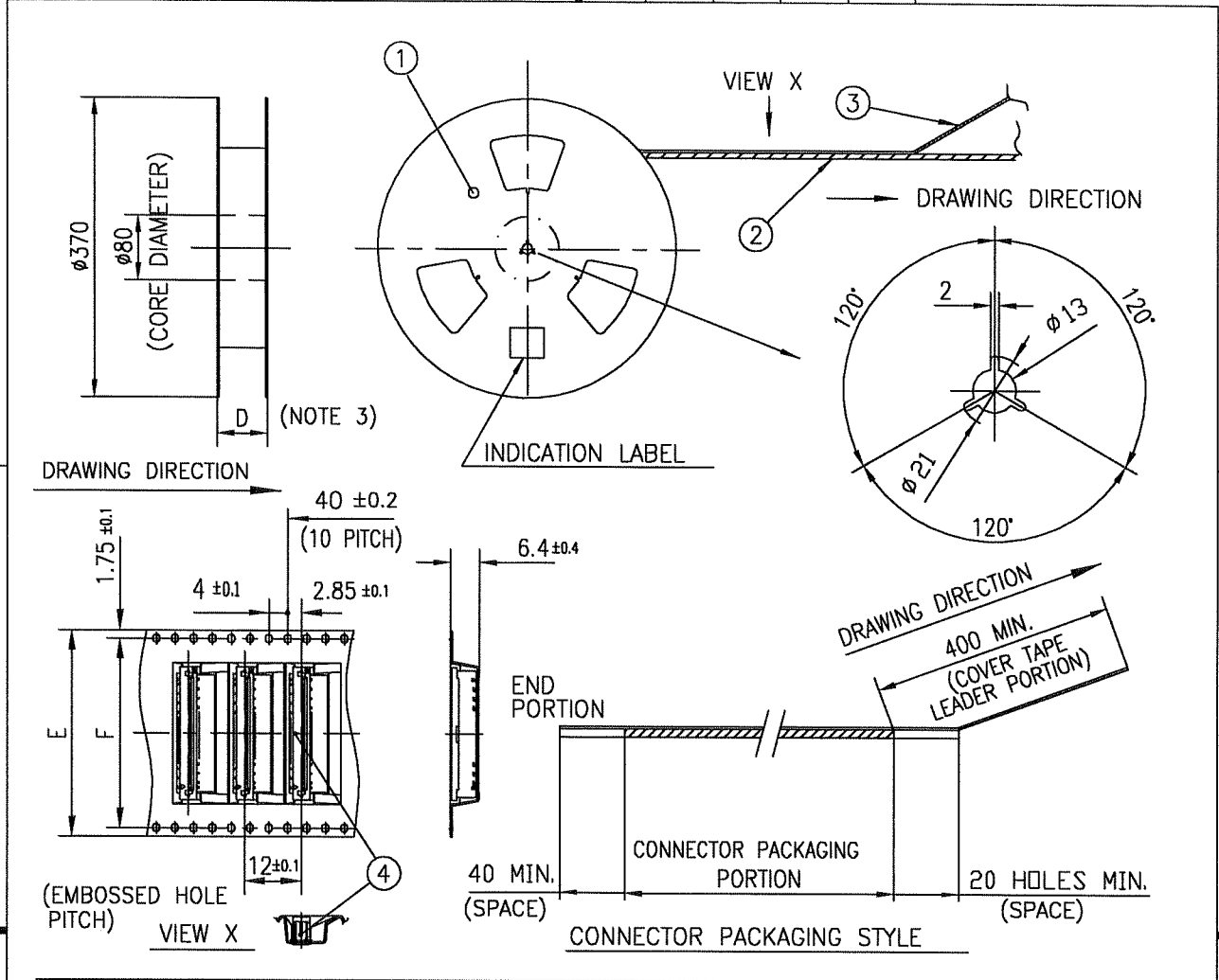
1. THIS PRODUCT IS THE CONNECTOR DESIGNED TO TERMINATE FPC/FFC AND COPEs WITH AUTOMATIC MOUNTING (SMT).
2. THIS CATALOG NO. INDICATES PLASTIC TAPE PACKAGED CONNECTOR.
3. SEE PART DRAWINGS FOR DIMENSIONS D~F.
4. PLEASE CONSULT US IN CASE OF USING PARTS WITH * MARK.



FCIconnect.com

Copyright FCI.

| | | | | | | | | | | | | | |
|----------------------------|--|-------------|--|--|--|------------|--|--|--|---------|--|--|--|
| mat'l. code | | | | surface 58 / tolerance ISO 1302 ✓ / ISO 406 / ISO 1101 | | projection | | product family 58SF | | CODE JP | | | |
| ltr ecn no dr date | | | | tolerances unless otherwise specified | | mm | | title | | | | | |
| AA J04-0333 H.T 2004-10-13 | | | | angles linear | | scale X | | CAT NO. TABLE FOR PLASTIC TAPE PACKAGED 1mm SPACING SMT CONN. (CAT.No.SFW__S-2ST_E1) | | | | | |
| AB J05-0547 H.T 2005-8-30 | | | | dr | | | | dwg no sheet 1 of 1 size | | A4 | | | |
| AC J06-0430 H.T 2006-10-19 | | | | enr | | | | JSA 93343 | | | | | |
| AD J07-0407 H.T 2007-8-9 | | | | chr | | | | type Product Customer Drawing | | | | | |
| | | | | appd | | | | | | | | | |
| sheet index | | revision AD | | sheet 1 | | | | | | Rev AD | | | |



| PT. NO. | PARTS NAME | CAT. NO. | MATERIAL | Q'TY | NOTE |
|---------|------------------------|--------------|-------------------|-------|--------------------|
| 1 | REEL | _____ | CARDBOARD | 1 | COLOR:GRAY |
| 2 | PLASTIC (EMBOSSD) TAPE | _____ | PET | _____ | COLOR:TRANSPARENCY |
| 3 | COVER | _____ | POLYESTER | _____ | COLOR:TRANSPARENCY |
| 4 | CONNECTOR | SFW__S-2ST__ | SEE ATTACHED DWG. | 1000 | _____ |

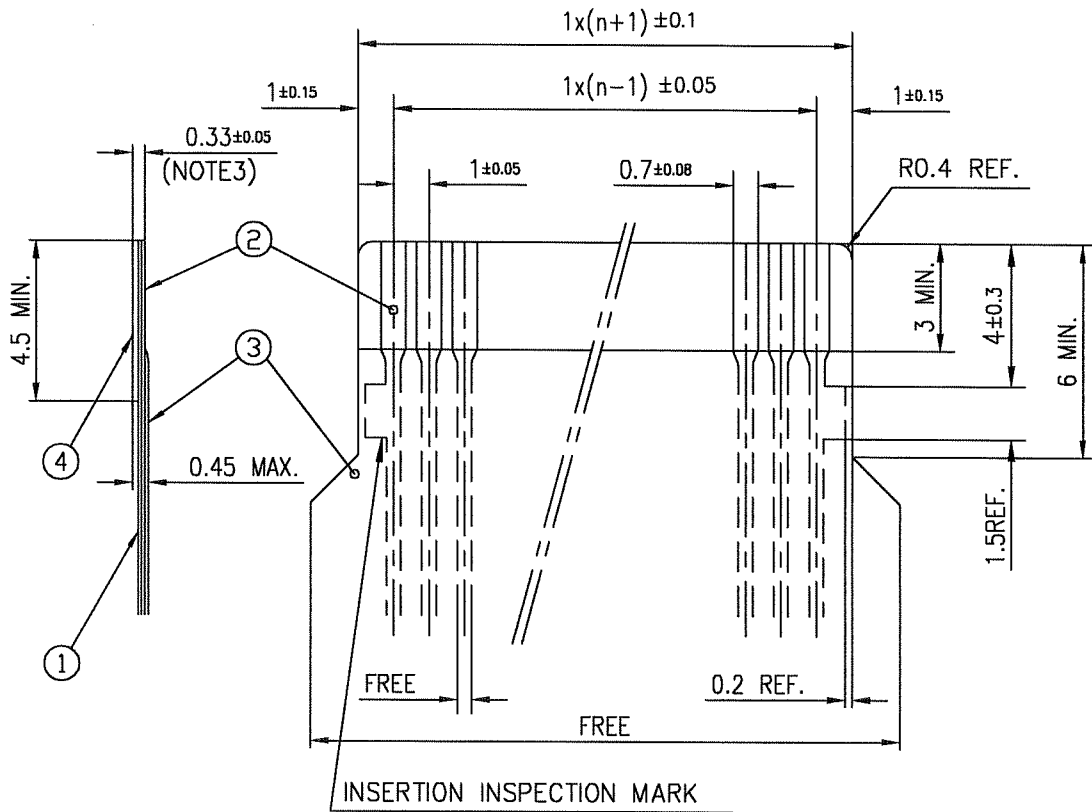
- NOTES**
1. THIS IS PLASTIC TAPE PACKAGED CONNECTOR USED FOR FPC/FFC AND COPES WITH AUTOMATIC MOUNTING (SMT).
 2. SEE JIS C 0806 (PACKING OF ELECTRONIC COMPONENTS ON CONTINUOUS TAPES (SURFACE MOUNTING DEVICES)) FOR SHAPE AND DIMENSIONS OF PLASTIC (EMBOSSD) TAPE AND REEL.
 3. F DIMENSION IS PORTION OF THE CORE.

| | | | | | | |
|-------------|----------------|--|------------|---|--|---------|
| mat'l. code | | surface 58 / tolerance ISO 1302 ✓ / ISO 406 / ISO 1101 | | projection | product family 58SF | CODE JP |
| ltr | ecn no | dr | date | tolerances unless otherwise specified mm | title PLASTIC TAPE PACKAGED 1mm SPACING SMT CONNECTOR (CATA.No.SFW__S-2ST_E1) | |
| AA | J04-0333 | H.T | Oct.13,'04 | | | |
| AB | J06-0430 | H.T | 10/19/06 | angles linear | dwg no sheet 1 of 1 size JSA 93338 A4 type Product Customer Drawing | |
| | | | | ±5 | | |
| | | | | ±5' | | |
| | | | | dr engr chr appd | | |
| sheet index | revision sheet | AB 1 | | | | Rev. AB |

FCJ
 FCconnect.com
 Copyright FCJ.

RECOMMENDED CABLE (FPC)

n : NO. OF CONDUCTORS



| PT. NO. | DESCRIPTION | MATERIAL | THICKNESS (μm) |
|---------|-----------------|--|----------------|
| 1 | BASE FILM | POLYIMIDE OR POLYESTER OR EQUIVALENT | 25 |
| 2 | CONDUCTOR | COPPER FOIL(PLATING : SOLDER 1μm MIN.) | 35 |
| 3 | OVERLAY | POLYIMIDE OR POLYESTER OR EQUIVALENT | — |
| 4 | SUPPORTING TAPE | POLYESTER OR POLYIMIDE OR EQUIVALENT | 188 |

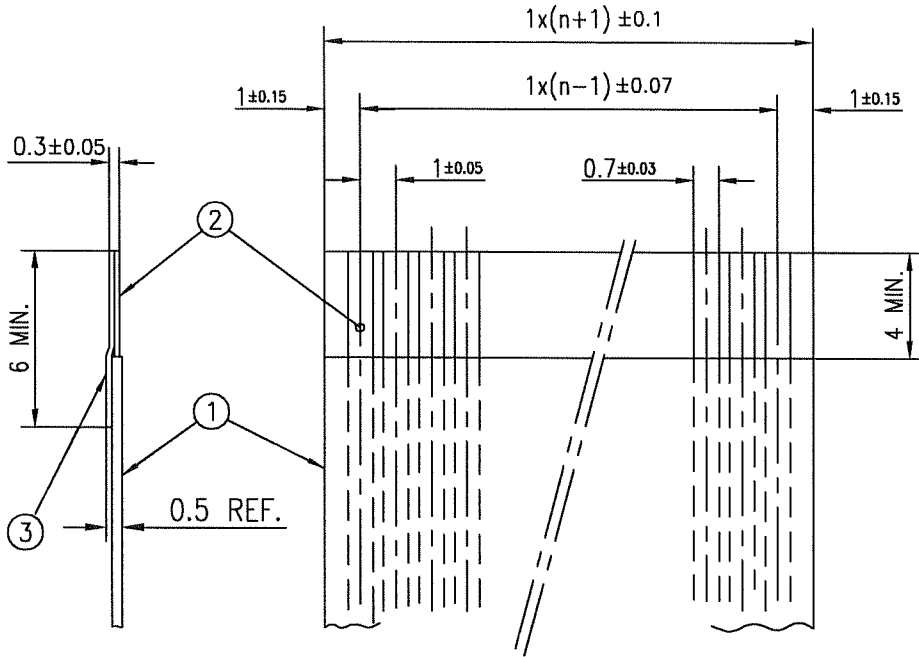
NOTES

1. NO BURR AT EACH PORTION.
2. NO PEELING IN COMMON USE.
3. TOTAL THICKNESS LIMIT OF EACH MATERIAL (INCLUDING ADHESIVE AGENT) IS SPECIFIED.

| | | | | | | | | | | | |
|----------------------------|--|----------------|--|---|--|------------|--|-------------------------------|--|---------|--|
| mat'l. code | | | | surface 58 / tolerance ISO 406 ISO 1101 | | projection | | product family 58SF | | CODE JP | |
| ltr ecn no dr date | | | | tolerances unless otherwise specified | | mm | | title | | | |
| AA J04-0333 H.T Oct.13,'04 | | | | angles linear | | mm | | RECOMMENDED CABLE | | | |
| AB J06-0430 H.T 10/19/06 | | | | | | scale X | | (CAT.No.SFW__S-2ST__) | | | |
| | | | | dr 10/19/06 | | FCI | | dwg no sheet 1 of 1 size | | | |
| | | | | enr 10/19/06 | | | | JSA 93340 | | A4 | |
| | | | | chr 10/19/06 | | | | type Product Customer Drawing | | | |
| | | | | appd 10/20/06 | | | | | | | |
| sheet index | | revision sheet | | AB 1 | | | | | | Rev AB | |

RECOMMENDED CABLE (FFC)

n : NO. OF CONDUCTORS



| PT. NO. | DESCRIPTION | MATERIAL | NOTE |
|---------|-----------------|---|------------------------------------|
| 1 | INSULATOR | FLAME RESISTING POLYESTER OR EQUIVALENT | _____ |
| 2 | CONDUCTOR | COPPER FOIL | PLATING: TIN OR SOLDER 1µm MIN. |
| 3 | SUPPORTING TAPE | FLAME RESISTING POLYESTER OR EQUIVALENT | _____ |

NOTES

1. NO BURR AT EACH PORTION.
2. NO PEELING IN COMMON USE.

| | | | | | | | | | | | |
|---------------------------|--|-------------|--|---|--|------------|--|---|--|---------|--|
| mat'l. code | | | | surface 5B / tolerance ISO 406 ISO 1101 | | projection | | product family 58SF | | CODE JP | |
| ltr ecn no dr date | | | | tolerances unless otherwise specified | | mm | | title | | | |
| AA J04-0333 H.T. 06.13.04 | | | | angles linear | | mm | | RECOMMENDED CABLE (CAT.No.SFW__S-2ST__) | | | |
| AB J06-0430 H.T. 10/19/06 | | | | | | scale X | | dwg no sheet 1 of 1 size | | | |
| | | | | dr 10/19/06 | | FCI | | JSA 93341 A4 | | | |
| | | | | enr 10/19/06 | | | | type Product Customer Drawing | | | |
| | | | | chr R. Shouji 10/19/06 | | | | | | | |
| | | | | appd P. Nishida 10/20/06 | | | | | | | |
| sheet index | | revision AB | | | | | | | | Rev. AB | |
| sheet 1 | | | | | | | | | | | |



FCIconnect.com

Copyright FCI.

Компания «Океан Электроники» предлагает заключение долгосрочных отношений при поставках импортных электронных компонентов на взаимовыгодных условиях!

Наши преимущества:

- Поставка оригинальных импортных электронных компонентов напрямую с производств Америки, Европы и Азии, а так же с крупнейших складов мира;
- Широкая линейка поставок активных и пассивных импортных электронных компонентов (более 30 млн. наименований);
- Поставка сложных, дефицитных, либо снятых с производства позиций;
- Оперативные сроки поставки под заказ (от 5 рабочих дней);
- Экспресс доставка в любую точку России;
- Помощь Конструкторского Отдела и консультации квалифицированных инженеров;
- Техническая поддержка проекта, помощь в подборе аналогов, поставка прототипов;
- Поставка электронных компонентов под контролем ВП;
- Система менеджмента качества сертифицирована по Международному стандарту ISO 9001;
- При необходимости вся продукция военного и аэрокосмического назначения проходит испытания и сертификацию в лаборатории (по согласованию с заказчиком);
- Поставка специализированных компонентов военного и аэрокосмического уровня качества (Xilinx, Altera, Analog Devices, Intersil, Interpoint, Microsemi, Actel, Aeroflex, Peregrine, VPT, Syfer, Eurofarad, Texas Instruments, MS Kennedy, Miteq, Cobham, E2V, MA-COM, Hittite, Mini-Circuits, General Dynamics и др.);

Компания «Океан Электроники» является официальным дистрибьютором и эксклюзивным представителем в России одного из крупнейших производителей разъемов военного и аэрокосмического назначения «**JONHON**», а так же официальным дистрибьютором и эксклюзивным представителем в России производителя высокотехнологичных и надежных решений для передачи СВЧ сигналов «**FORSTAR**».



JONHON

«**JONHON**» (основан в 1970 г.)

Разъемы специального, военного и аэрокосмического назначения:

(Применяются в военной, авиационной, аэрокосмической, морской, железнодорожной, горно- и нефтедобывающей отраслях промышленности)

«**FORSTAR**» (основан в 1998 г.)

ВЧ соединители, коаксиальные кабели, кабельные сборки и микроволновые компоненты:

(Применяются в телекоммуникациях гражданского и специального назначения, в средствах связи, РЛС, а так же военной, авиационной и аэрокосмической отраслях промышленности).



Телефон: 8 (812) 309-75-97 (многоканальный)

Факс: 8 (812) 320-03-32

Электронная почта: ocean@oceanchips.ru

Web: <http://oceanchips.ru/>

Адрес: 198099, г. Санкт-Петербург, ул. Калинина, д. 2, корп. 4, лит. А