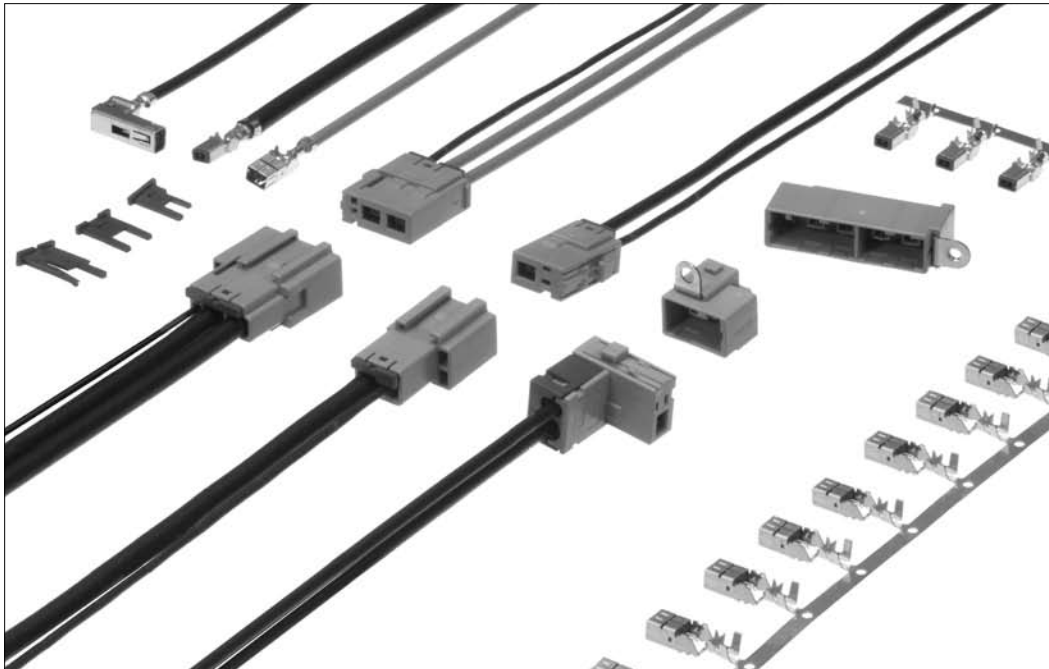


Termination of coaxial cables in automotive, medical and instrumentation applications utilizes one step to crimp the center conductor, shield and outer insulation.

# GT13 Series

— Connectors for coaxial cables —



### ■ Features

- **Cost efficient termination**

Highly efficient and reliable one step crimp termination allows high volume production with semi-automatic equipment.

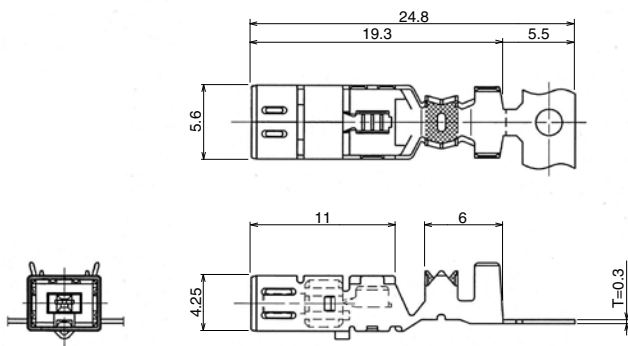
- **Space-saving Design**

Compact and light weight comparing with HRS GT5 series.

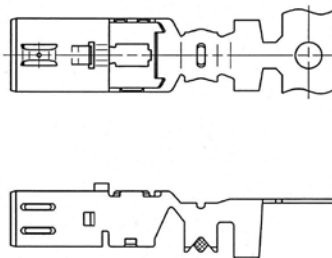
### ■ Applications

automotive audio systems.

## F Terminals

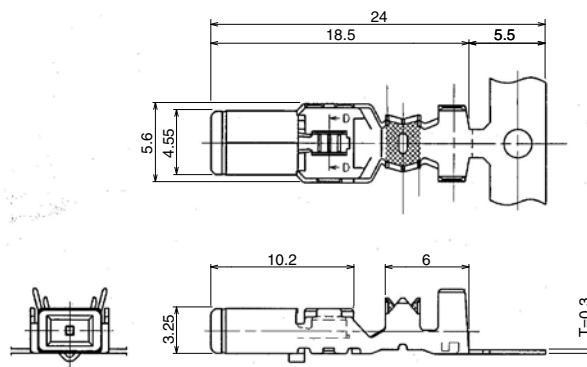


Part Number	HRS No.	Conductor Size (AWG)	Inner Insulation Diameter	Outer Diameter	Packaging	RoHS
GT13-2428/1.6-2.9SCF(70)	763-0001-3-70	AWG #24 to 28 or equivalent	φ 1.5 to 2.0	φ 2.7 to 3.4	3,000 pcs /reel	YES
GT13-30/1.6-2.9SCF(70)	763-0012-0-70	AWG #30 or equivalent		φ 2.3 to 2.7		
GT13-2428/1.6-2.5SCF(70)	763-0042-0-70	AWG #24 to 28 or equivalent	φ 3.0 to 3.6	φ 4.6 to 5.0	2,200 pcs /reel	
GT13-2428/F4-5SCF(70)	763-0051-1-70	AWG #24 to 28 or equivalent		φ 3.6 to 4.0		
GT13-30/F4-5SCF(70)	763-0067-1-70	AWG #30 or equivalent	φ 3.0 to 3.6	φ 4.6 to 5.0		
GT13-30/F3.3-3.8SCF(70)	763-0052-4-70	AWG #30 or equivalent		φ 2.5 to 2.9		
GT13-2022/F4-5SCF(70)	763-0068-4-70	AWG #20 to 22 or equivalent	φ 3.0 to 3.6	φ 4.6 to 5.0		

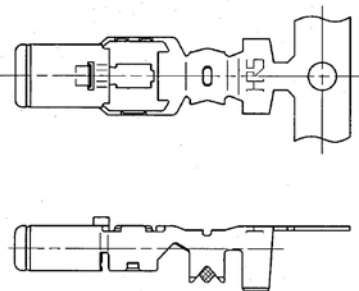


Item	Material	Color/Finish
Insulator	PBT	Dark Gray
Center terminals	Copper alloy	Tin plating
Outside tube terminals	Copper alloy	Tin plating

## M Terminals

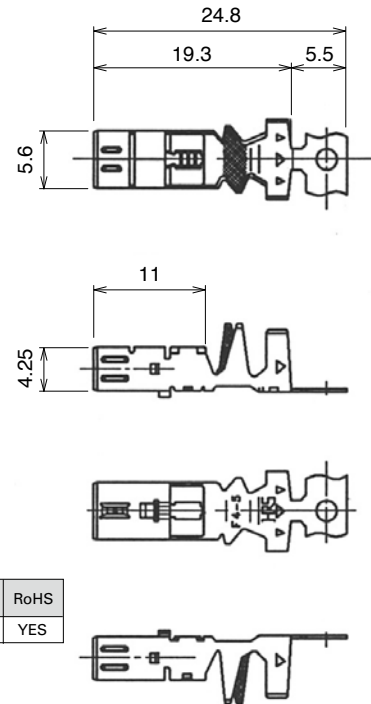


Part Number	HRS No.	Conductor Size (AWG)	Inner Insulation Diameter	Outer Diameter	Packaging	RoHS
GT13-2428/1.6-2.9PCF(70)	763-0002-6-70	AWG #24 to 28 or equivalent	φ 1.5 to 2.0	φ 2.7 to 3.4	4,000 pcs /reel	YES
GT13-30/1.6-2.9PCF(70)	763-0041-8-70	AWG #30 or equivalent		φ 2.3 to 2.7		
GT13-2428/1.6-2.5PCF(70)	763-0069-7-70	AWG #24 to 28 or equivalent	φ 3.0 to 3.6	φ 4.6 to 5.0	2,200 pcs /reel	
GT13-2428/F4-5PCF(70)	763-0054-0-70	AWG #24 to 28 or equivalent		φ 3.6 to 4.0		
GT13-30/F4-5PCF(70)	763-0066-9-70	AWG #30 or equivalent	φ 3.0 to 3.6	φ 4.6 to 5.0		
GT13-30/F3.3-3.8PCF(70)	763-0053-7-70	AWG #30 or equivalent		φ 2.5 to 2.9		
GT13-2428/F3.3-3.8PCF(70)	763-0079-0-70	AWG #24 to 28 or equivalent	φ 3.0 to 3.6	φ 4.6 to 5.0		
GT13-2022/F4-5PCF(70)	763-0068-4-70	AWG #20 to 22 or equivalent		φ 3.0 to 3.6	φ 4.6 to 5.0	



Item	Material	Color/Finish
Insulator	PBT	Dark Gray
Center terminals	Copper alloy	Tin plating
Outside tube terminals	Copper alloy	Tin plating

## Low insertion F Terminals

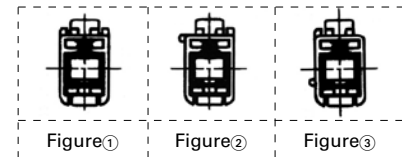
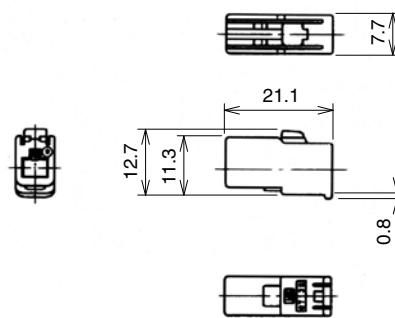


Part Number	HRS No.	Conductor Size (AWG)	Inner Insulation Diameter	Outer Diameter	Packaging	RoHS
GT13L-2428/F4-5SCF	763-0098-5	AWG #24 to 28 or equivalent	φ 3.0 to 3.6	φ 4.6 to 5.0	2,200pcs/reel	YES

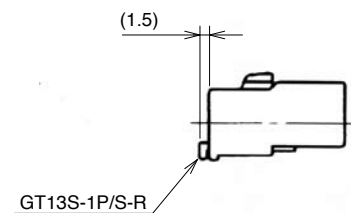
Item	Material	Color/Finish
Insulator	PBT	Dark Gray
Center terminals	Copper alloy	Tin plating
Outside tube terminals	Copper alloy	Tin plating

## 13S Series

### F Housing(1 coaxial)



◆ Shown with inserted retainer.

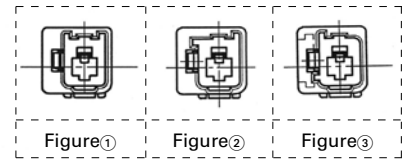
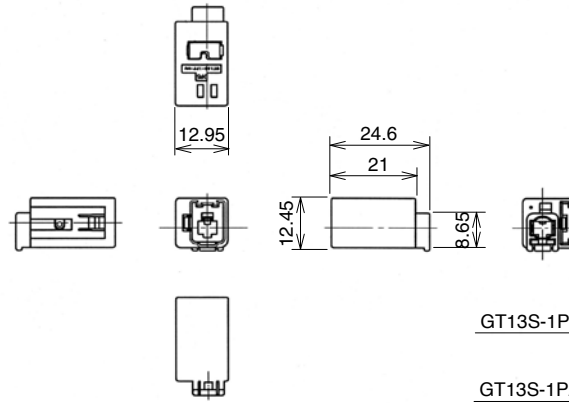


Part Number	HRS No.	Material	Color	Key polarizing code	RoHS
GT13S-1S-HU	763-0024-9	PBT	Light Gray	Figure①	YES
GT13S-1S-HU (A)	763-0025-1	PBT	Brown	Figure②	
GT13S-1S-HU (B)	763-0026-4	PBT	Green	Figure③	

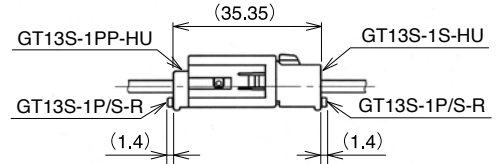
GT 5  
GT 13  
GT 16  
PO5G  
GT 11  
GT 17  
GT 19  
GT 26  
GT 27

Coaxial cable connection of Antennas, Sensors, and Communication Trunk Lines  
GT 3  
GT 6W  
GT 7  
GT 10  
GT 18W  
GT 15  
GT 8  
GT 9  
GT 25  
GT 22

### M Housing(1 coaxial)



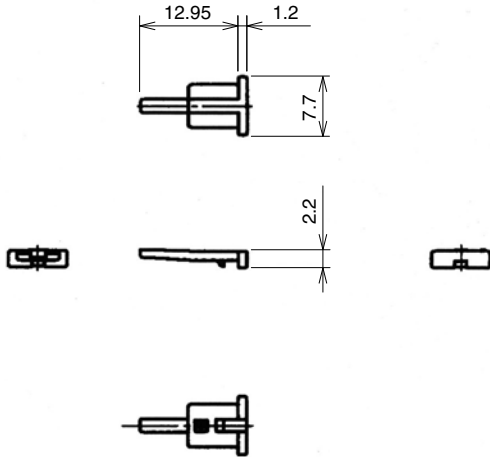
◆ Fully mated connector assemblies



Part Number	HRS No.	Color	Key polarizing code	RoHS
GT13S-1PP-HU	763-0030-1	Light Gray	Figure①	YES
GT13S-1PP-HU (A)	763-0031-4	Brown	Figure②	
GT13S-1PP-HU (B)	763-0032-7	Green	Figure③	

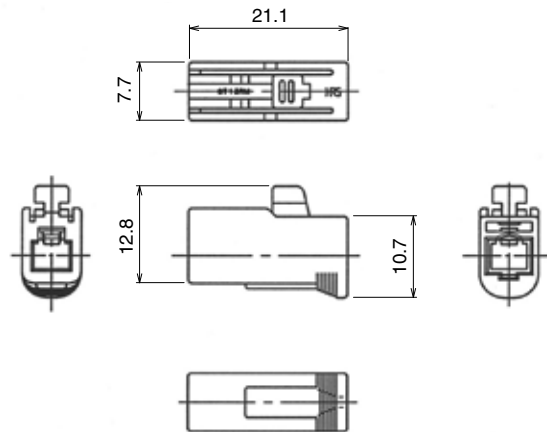
Part	Material	Finish
Ground terminal	Copper alloy	Tin plating
Housing	PBT	—

### Retainer



Part Number	HRS No.	Material	Color	RoHS
GT13S-1P/S-R	763-0033-0	PBT	Dark Gray	YES

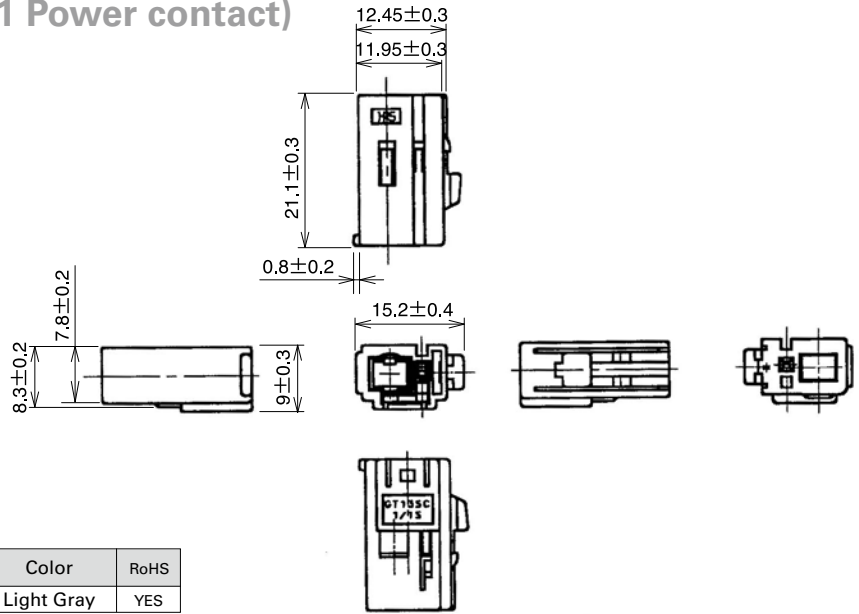
### F Housing(1 coaxial) No retainer required type



Part Number	HRS No.	Material	Color	RoHS
GT13RM-1S-HU	763-0099-8	PBT	Light Gray	YES



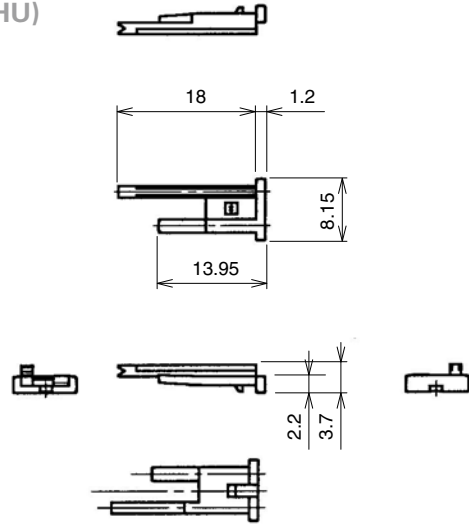
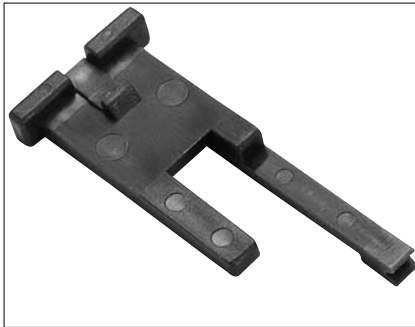
### F Housing(1 Coaxial +1 Power contact)



Part Number	HRS No.	Material	Color	RoHS
GT13SC-1/1S-HU	763-0010-4	PBT	Light Gray	YES

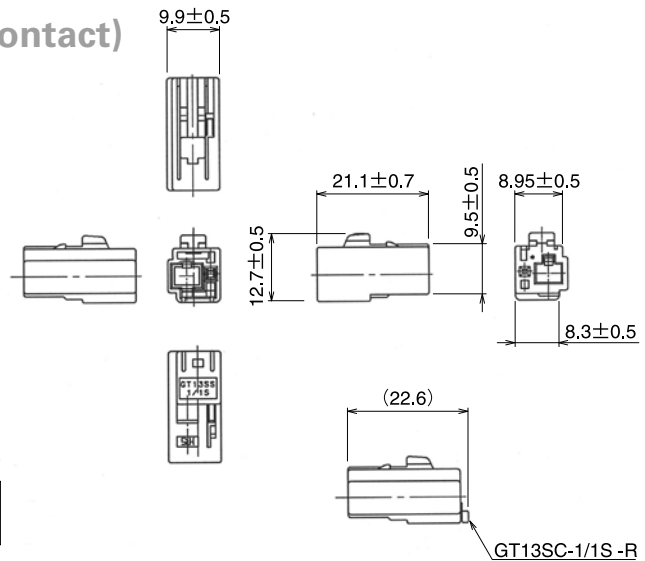
Note : GT10A-2022SCF is used for power supply terminals.

### ● Retainer(Used with GT13SC-1/1S-HU, GT13SS-1/1S-HU)



Part Number	HRS No.	Material	Color	RoHS
GT13SC-1/1S-R	763-0011-7	PBT	Dark Gray	YES

### F Housing(1 Coaxial + 1 Power contact)



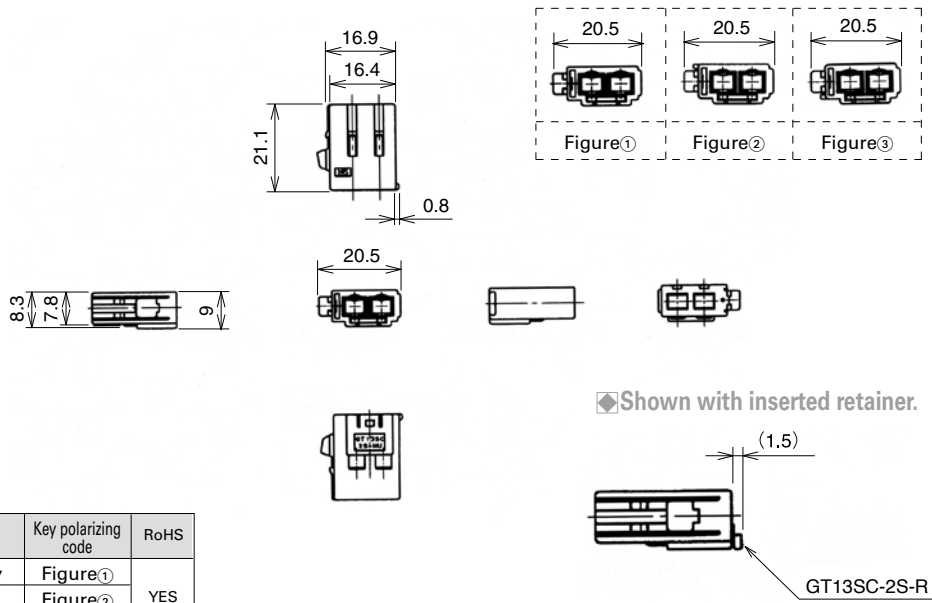
Part Number	HRS No.	Material	Color	RoHS
GT13SS-1/1S-HU	763-0093-1	PBT	Light Gray	YES

Note : GT10A-2022SCF is used for power supply terminals.

◆ Shown with inserted retainer.

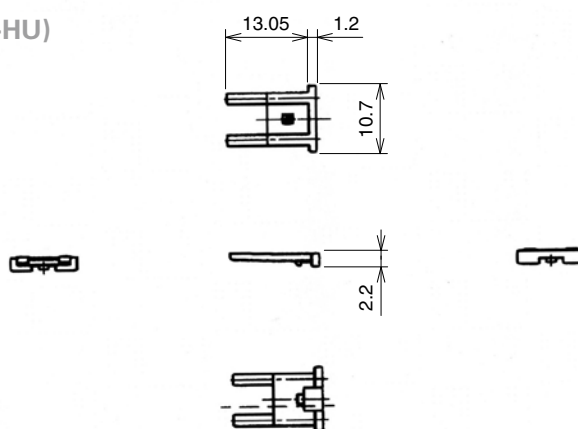


### F Housing(2 coaxials)



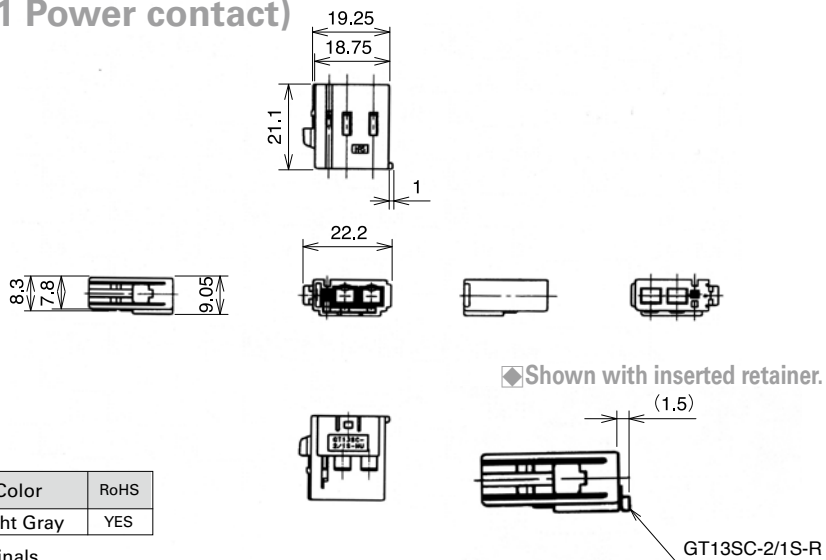
Part Number	HRS No.	Color	Key polarizing code	RoHS
GT13SC-2S-HU	763-0014-5	Light Gray	Figure①	YES
GT13SC-2S-HU (A)	763-0043-3	Brown	Figure②	
GT13SC-2S-HU (B)	763-0037-0	Green	Figure③	

### ● Retainer (Used with GT13SC-2S-HU, GT13SCN-2PP-HU and GT13SCH-2PP-HU)



Part Number	HRS No.	Material	Color	RoHS
GT13SC-2S-R	763-0015-8	PBT	Dark Gray	YES

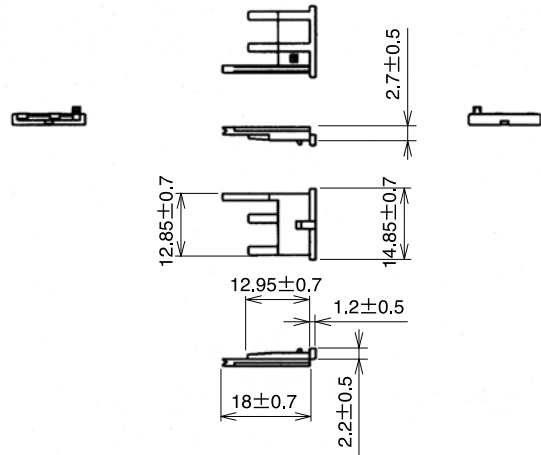
### F Housing(2 Coaxials + 1 Power contact)



Part Number	HRS No.	Material	Color	RoHS
GT13SC-2/1S-HU	763-0016-0	PBT	Light Gray	YES

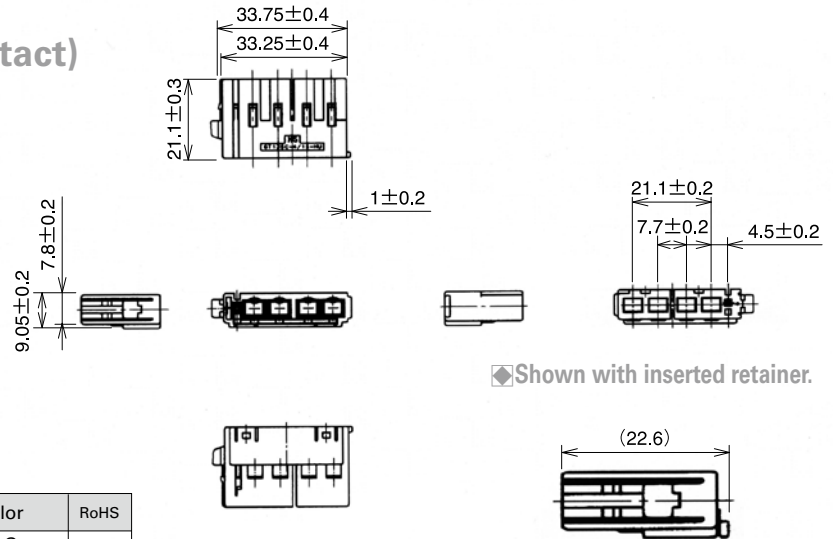
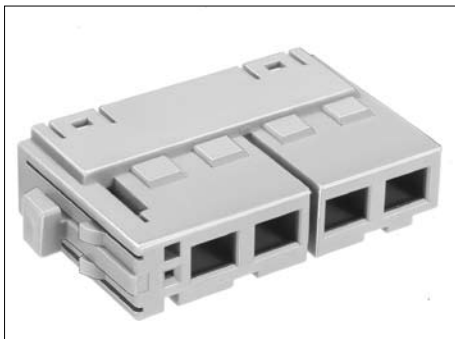
Note : GT10A-2022SCF is used for power supply terminals.

● Retainer (Only for GT13SC-2/1S-HU)



Part Number	HRS No.	Material	Color	RoHS
GT13SC-2/1S-R	763-0017-3	PBT	Dark Gray	YES

■ F Housing(4 Coaxials + 1 Power contact)

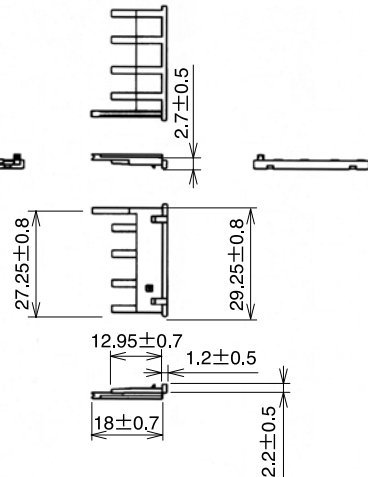
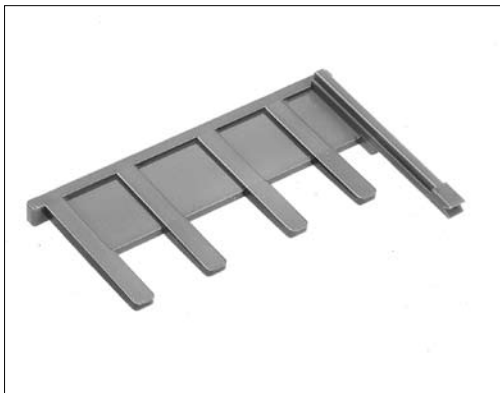


◆ Shown with inserted retainer.

Part Number	HRS No.	Material	Color	RoHS
GT13SC-4/1S-HU	763-0021-0	PBT	Light Gray	YES
GT13SC-4/1S-HU (A)	763-0022-3		Brown	

Note : GT10A-2022SCF is used for power supply terminals.

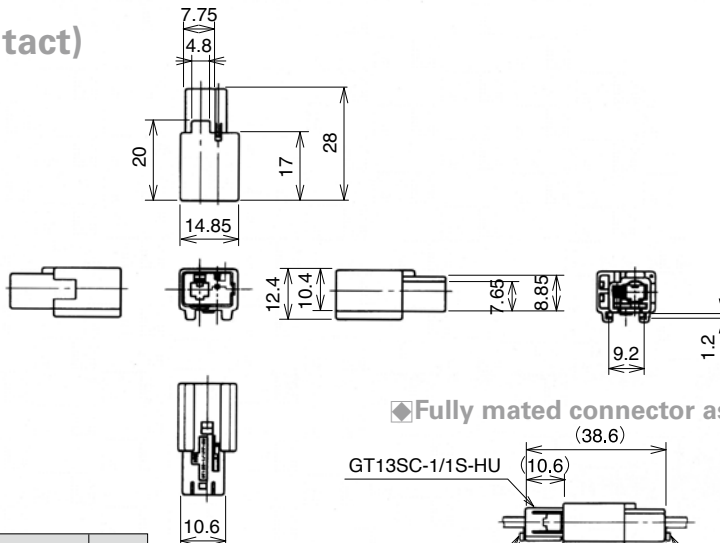
● Retainer (Only for GT13SC-4/1S-R)



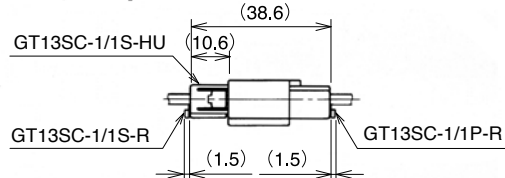
Part Number	HRS No.	Material	Color	RoHS
GT13SC-4/1S-R	763-0023-6	PBT	Dark Gray	YES



**M Housing(1 Coaxial + 1 Power contact)**



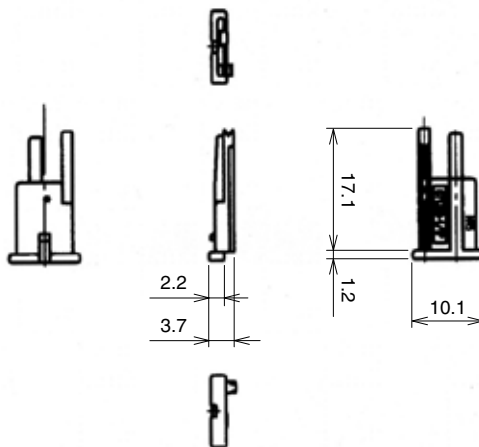
**Fully mated connector assemblies**



Part Number	HRS No.	Material	Color	RoHS
GT13SCN-1/1PP-HU	763-0036-8	PBT	Light Gray	YES

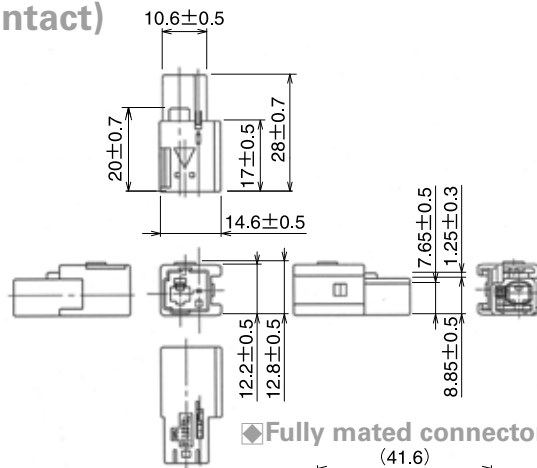
Note : GT10SC-2022PCF or GT10A-2022PCF is used for power supply terminals.

**Retainer (Only for GT13SCN-1/1PP-HU)**

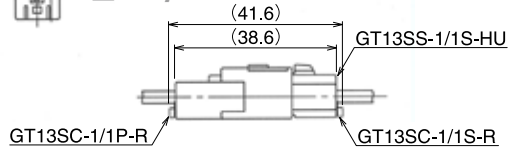


Part Number	HRS No.	Material	Color	RoHS
GT13SC-1/1P-R	763-0039-6	PBT	Dark Gray	YES

**M Housing(1 Coaxial + 1 Power contact)**



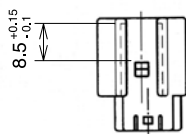
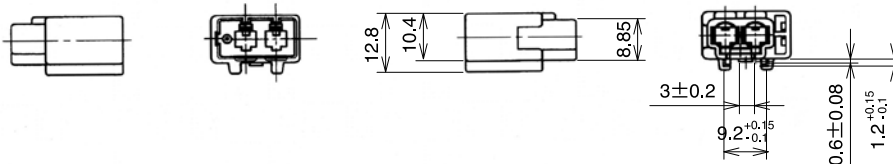
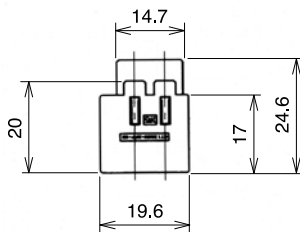
**Fully mated connector assemblies**



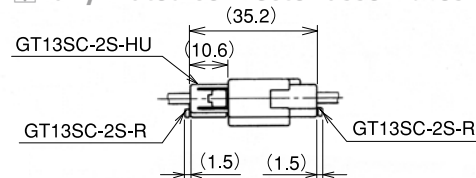
Part Number	HRS No.	Material	Color	RoHS
GT13SSN-1/1PP-HU	763-0092-9	PBT	Light Gray	YES

Note : GT10SC-2022PCF or GT10A-2022PCF is used for power supply terminals.

### M Housing(2 coaxials)

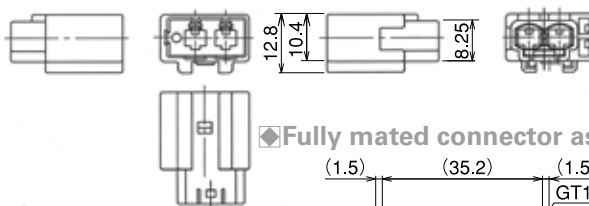
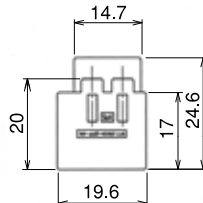
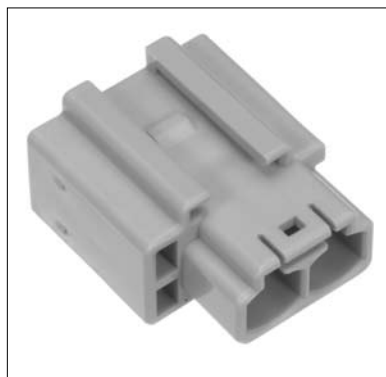


#### Fully mated connector assemblies

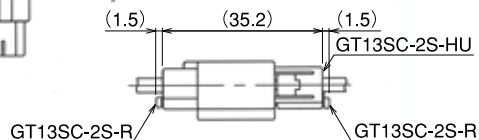


Part Number	HRS No.	Material	Color	RoHS
GT13SCN-2PP-HU	763-0046-1	PBT	Light Gray	YES

### M Housing(2 coaxials)

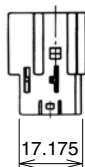
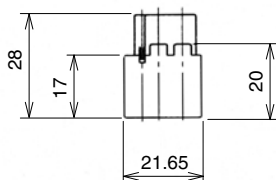
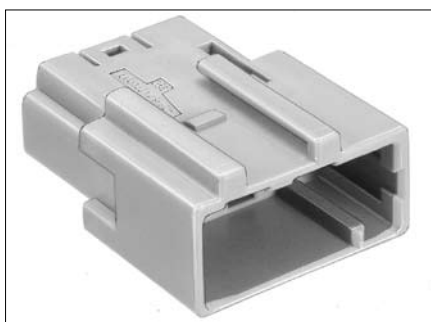


#### Fully mated connector assemblies

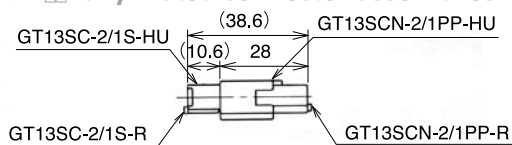


Part Number	HRS No.	Material	Color	RoHS
GT13SCH-2PP-HU	763-0072-1	PBT	Light Gray	YES

### M Housing(2 Coaxials + 1 Power contact)



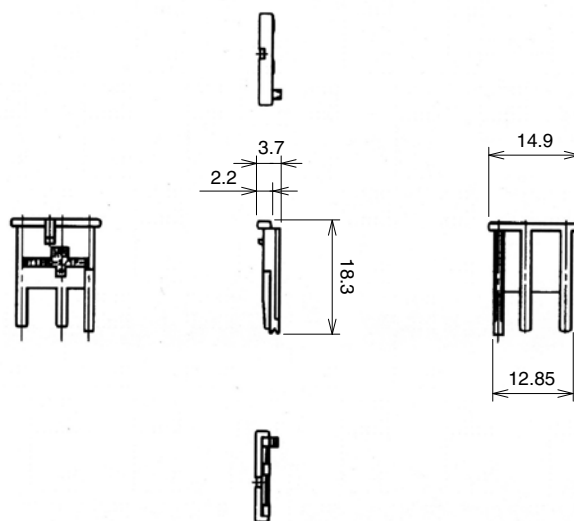
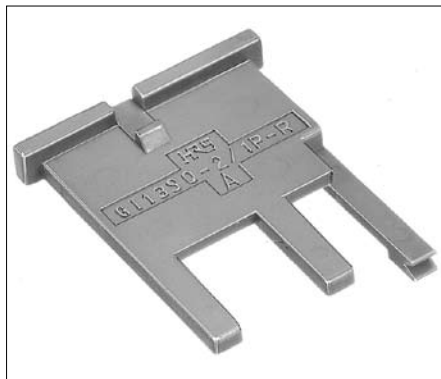
#### Fully mated connector assemblies



Part Number	HRS No.	Material	Color	RoHS
GT13SCN-2/1PP-HU	763-0038-3	PBT	Light Gray	YES

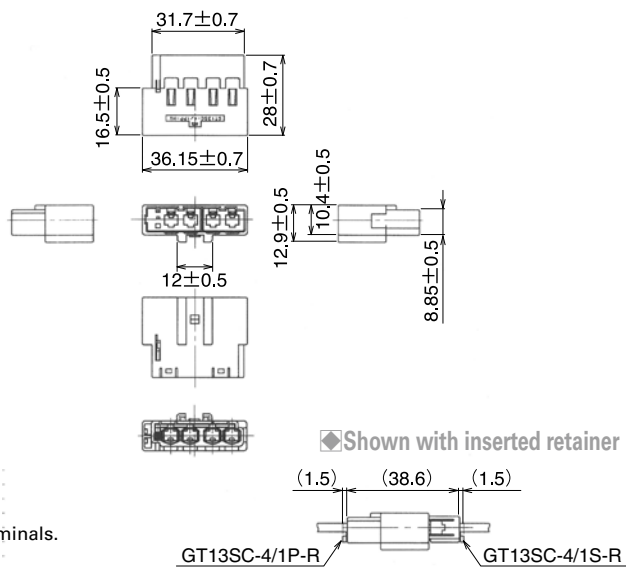
Note : GT10SC-2022PCF or GT10A-2022PCF is used for power supply terminals.

● Retainer (Only for GT13SCN-2/1PP-HU)



Part Number	HRS No.	Material	Color	RoHS
GT13SC-2/1PP-R	763-0040-5	PBT	Dark Gray	YES

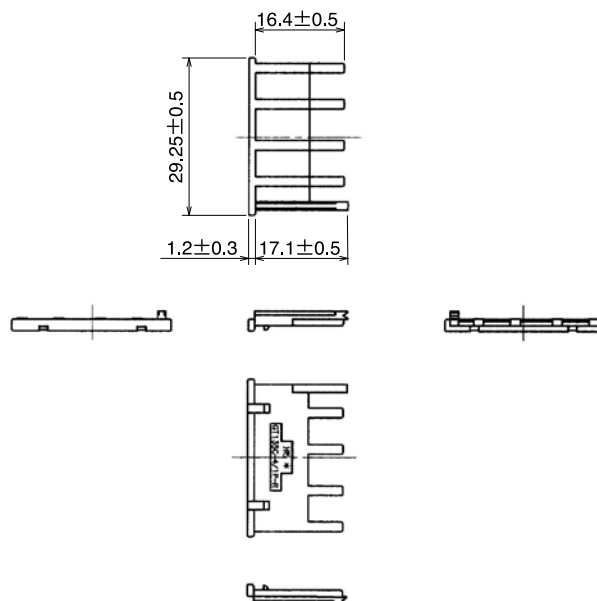
■ M Housing(4 Coaxials + 1 Power contact)



Part Number	HRS No.	Material	Color	RoHS
GT13SCH-4/1PP-HU	763-0060-2	PBT	Light Gray	YES

Note : GT10SC-2022PCF or GT10A-2022PCF is used for power supply terminals.

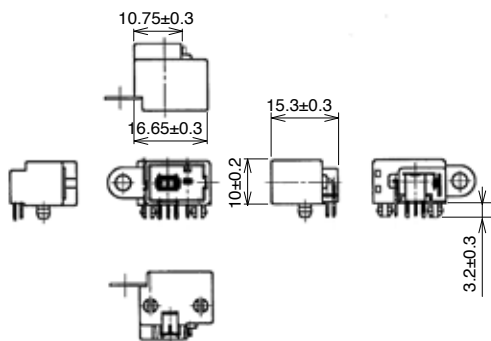
● Retainer



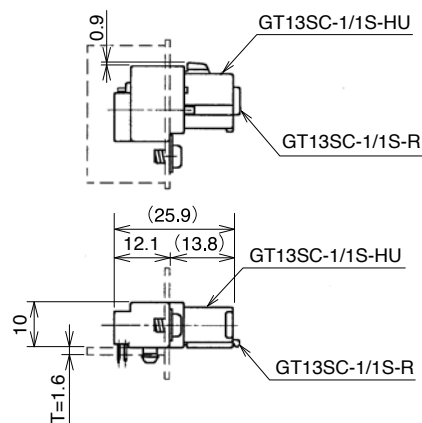
Part Number	HRS No.	Material	Color	RoHS
GT13SC-4/1P-R	763-0061-5	PBT	Dark Gray	YES

GT 5  
GT 13  
GT 16  
GT 17  
GT 19  
GT 26  
GT 27  
GT 3  
GT 6W  
GT 7  
GT 10  
GT 18W  
GT 15  
GT 8  
GT 9  
GT 25  
GT 22

## Printed Circuit Board Type (1 Coaxial +1 Power contact)



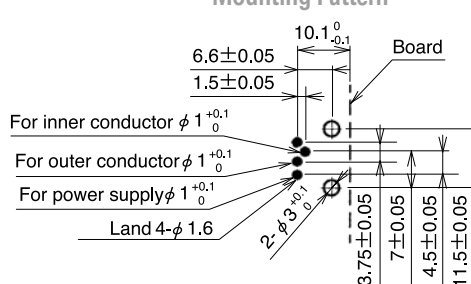
### Fully mated connector assemblies



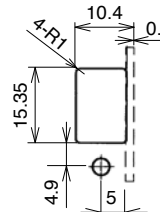
Part Number	HRS No.	Material	Color	RoHS
GT13SC-1/1PP-DS(70)	763-0009-5-70	PBT	Light Gray	YES

Part	Material	Color/Finish
Housing	PBT	—
Center terminal	Copper alloy	Tin plating
Outside tube terminal	Copper alloy	Tin plating
Power terminal	Copper alloy	Tin plating
Metal bracket	Copper alloy	Tin plating

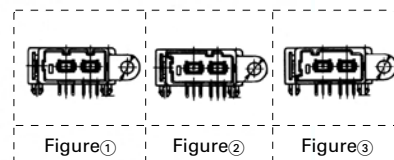
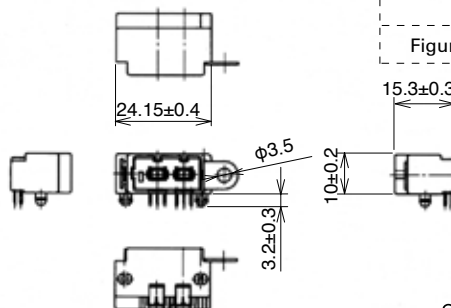
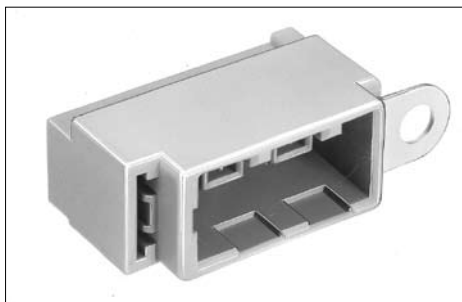
### Recommended Board Mounting Pattern



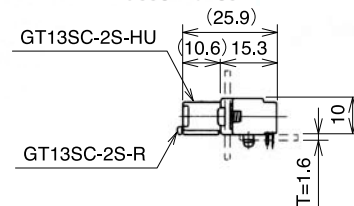
### Recommended Panel Cutout



## Printed Circuit Board Type ( 2 Coaxials )



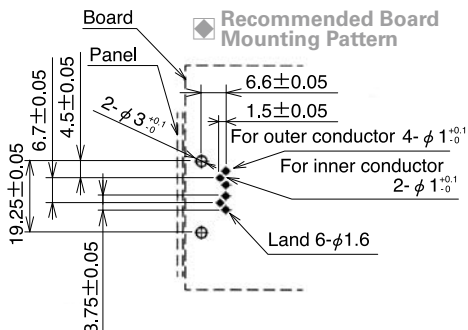
### Fully mated connector assemblies



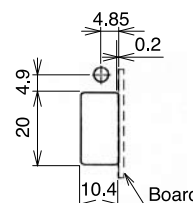
Part Number	HRS No.	Material	Color	RoHS
GT13SC-2PP-DS	763-0013-2	PBT	Light Gray	YES
GT13SC-2PP-DS (A)	763-0034-2	PBT	Brown	
GT13SC-2PP-DS (B)	763-0035-5	PBT	Green	

Part	Material	Color/Finish
Housing	PBT	—
Center terminal	Copper alloy	Tin plating
Outside tube terminal	Copper alloy	Tin plating
Metal bracket	Copper alloy	Tin plating

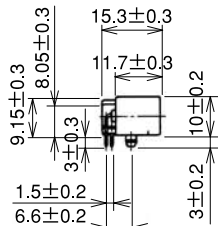
### Recommended Board Mounting Pattern



### Recommended Panel Cutout



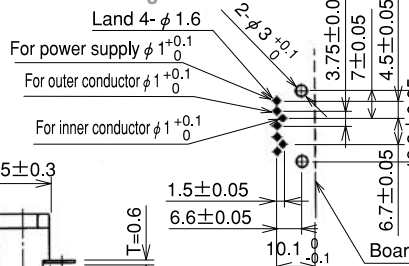
### Printed Circuit Board Type (2 Coaxials + 1 Power contact)



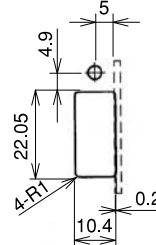
Part Number	HRS No.	Material	Color	RoHS
GT13SC-2/1PP-DS(70)	763-0018-6-70	PBT	Light Gray	YES

Part	Material	Color/Finish
Housing	PBT	—
Center terminal	Copper alloy	Tin plating
Outside tube terminal	Copper alloy	Tin plating
Power terminal	Copper alloy	Tin plating
Metal bracket	Copper alloy	Tin plating

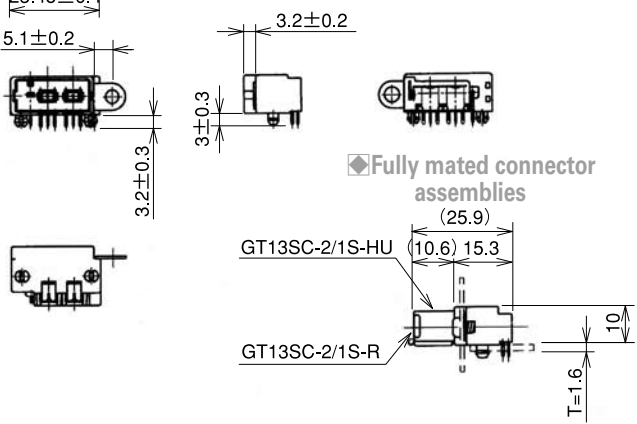
#### Recommended Board Mounting Pattern



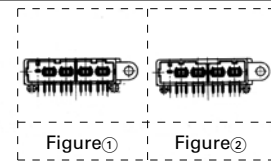
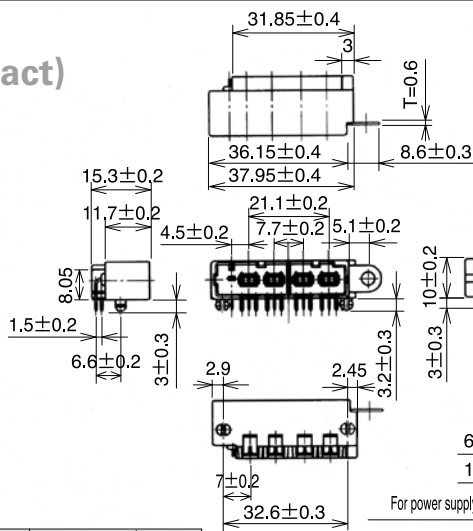
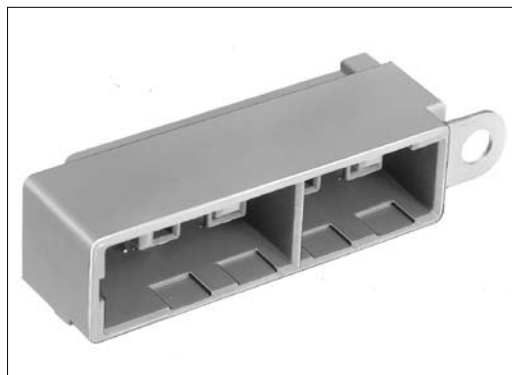
#### Recommended Panel Cutout



#### Fully mated connector assemblies



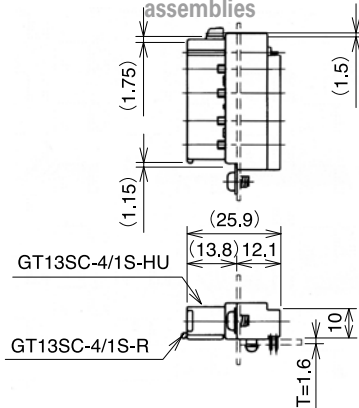
### Printed Circuit Board Type (4 Coaxials + 1 Power contact)



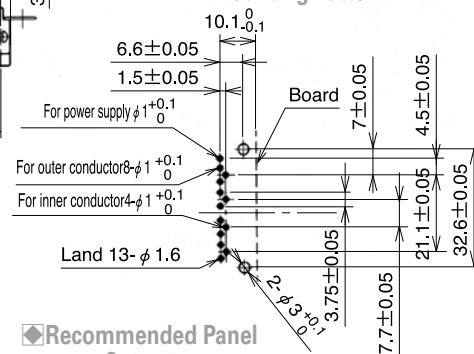
Part Number	HRS No.	Material	Color	Key polarizing code	RoHS
GT13SC-4/1PP-DS(70)	763-0019-9-70	PBT	Light Gray	Figure①	YES
GT13SC-4/1PP-DS (A)(70)	763-0020-8-70	PBT	Brown	Figure②	YES

Part	Material	Color/Finish
Housing	PBT	—
Center terminal	Copper alloy	Tin plating
Outside tube terminal	Copper alloy	Tin plating
Power terminal	Copper alloy	Tin plating
Metal bracket	Copper alloy	Tin plating

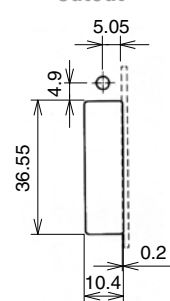
#### Fully mated connector assemblies



#### Recommended Board Mounting Pattern



#### Recommended Panel Cutout



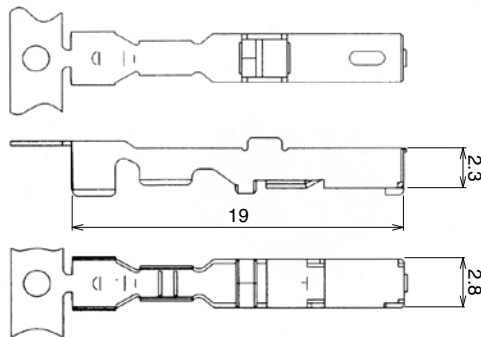
GT 5  
 GT 13  
 GT 16  
 PO5G  
 GT 11  
 GT 17  
 GT 19  
 GT 26  
 GT 27  
 GT 3  
 GT 6W  
 GT 7  
 GT 10  
 GT 18W  
 GT 15  
 GT 8  
 GT 9  
 GT 25  
 GT 22

Coaxial cable connection of Antennas, Sensors, and Communication Trunk Lines

## GT13SH Series

### Power Supply Terminals

#### F Connector Terminals

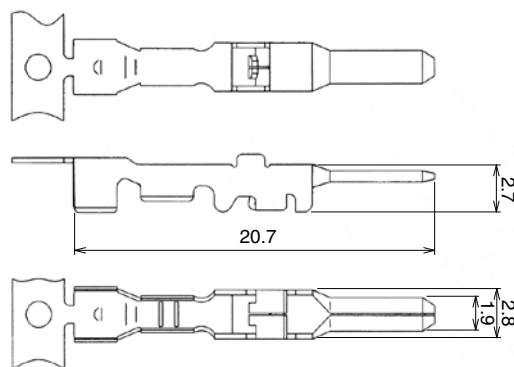


Part Number	HRS No.	Material	Finish	Conductor Size(AWG)	Inner Insulation Diameter	Packaging	RoHS
GT7-2022SCF(70)	757-0001-1-70	Copper alloy	Tin plating	#20 to 22	φ 1.4 to 2.4	5,000 pcs/reel	YES
GT7A-2022SCF(70)	757-0003-7-70			#20 to 22	φ 2.6 to 3.1	3,000 pcs/reel	

Note1 : Sold by the reel.(Sea above table for number of Packaging.)

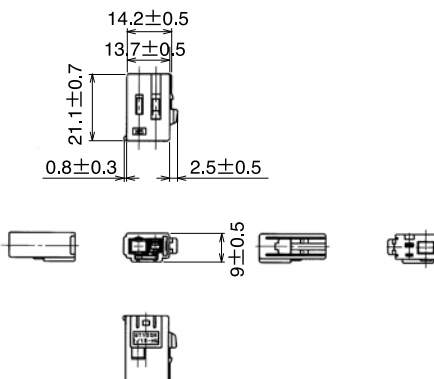
Note2 : This component is used only with applicable HRS housings.

#### M Connector Terminals



Part Number	HRS No.	Material	Finish	Conductor Size(AWG)	Inner Insulation Diameter	Packaging	RoHS
GT7-2022PCF(70)	757-0002-4-70	Brass	Tin plating	#20 to 22	φ 1.4 to 2.4	5,000 pcs/reel	YES
GT7A-2022PCF(70)	757-0004-0-70			#20 to 22	φ 2.6 to 3.1	3,000 pcs/reel	

#### F Housing (1 Coaxial + 1 Power contact)

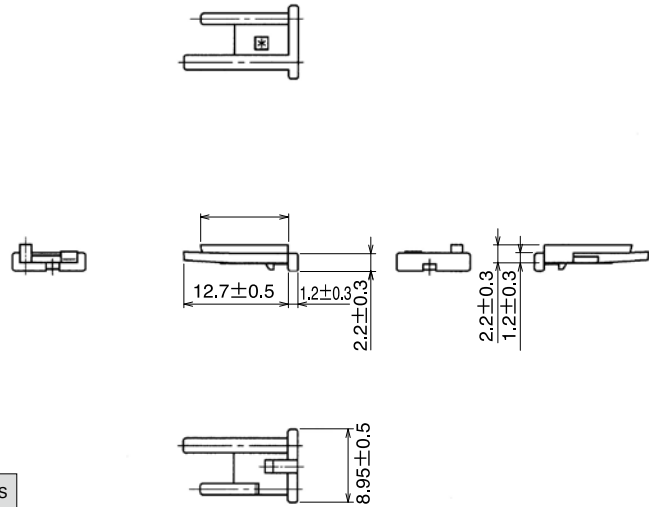


Part Number	HRS No.	Material	Color	RoHS
GT13SH-1/1S-HU	763-0048-7	PBT	Light Gray	YES
GT13SH-1/1S-HU(A)	763-0059-3	PBT	Brown	

Note : GT7-2022SCF(70) or GT7A-2022SCF(70) is used for power supply terminals.

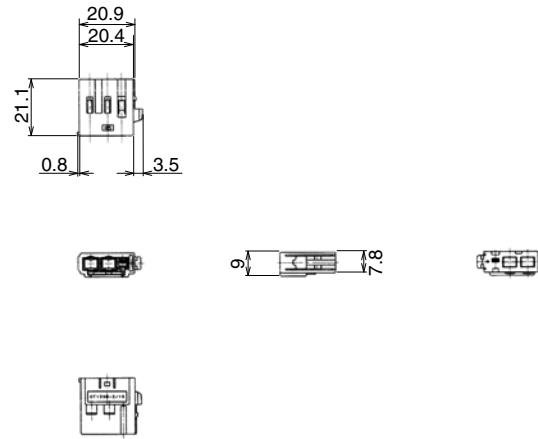


● Retainer



Part Number	HRS No.	Material	Color	RoHS
GT13SH-1/1S-R	763-0049-0	PBT	Dark Gray	YES

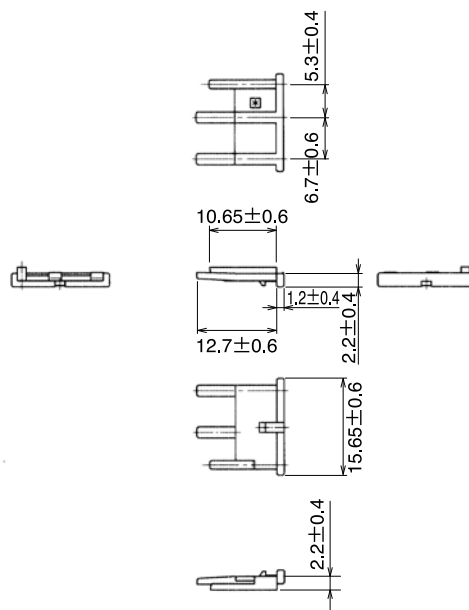
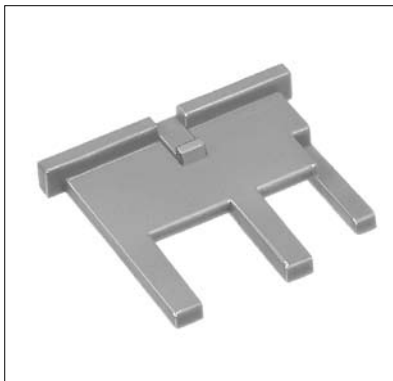
■ F Housing(2 Coaxials + 1 Power contact)



Part Number	HRS No.	Material	Color	RoHS
GT13SH-2/1S-HU	763-0065-6	PBT	Light Gray	YES

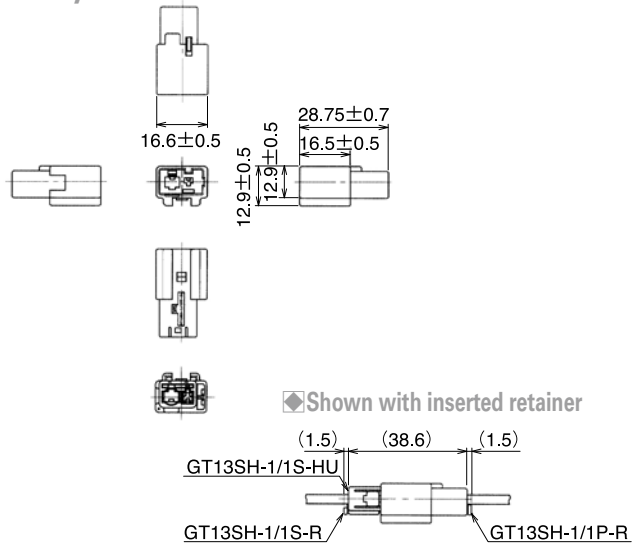
Note : GT7-2022SCF(70) or GT7A-2022SCF(70) is used for power supply terminals.

● Retainer



Part Number	HRS No.	Material	Color	RoHS
GT13SH-2/1S-R	763-0064-3	PBT	Dark Gray	YES

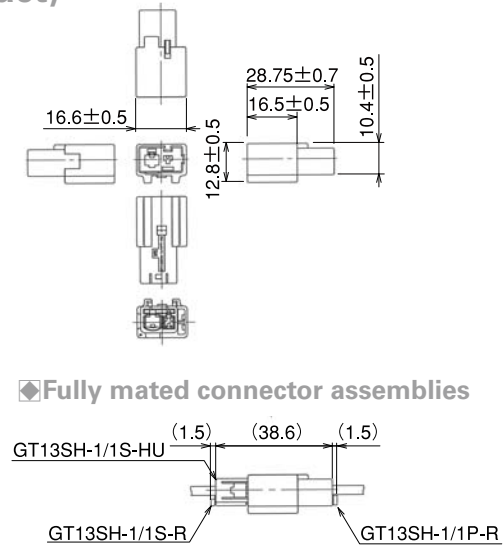
### M Housing(1 Coaxial + 1 Power contact)



Part Number	HRS No.	Material	Color	RoHS
GT13SH-1/1PP-HU	763-0055-2	PBT	Light Gray	YES

Note : Power supply terminal is GT7-2022PCF(70) or GT7A-2022PCF(70).

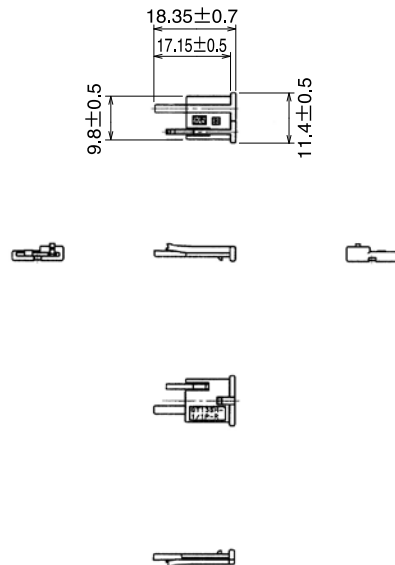
### M Housing(1 Coaxial + 1 Power contact)



Part Number	HRS No.	Material	Color	RoHS
GT13SHN-1/1PP-HU	763-0078-8	PBT	Light Gray	YES

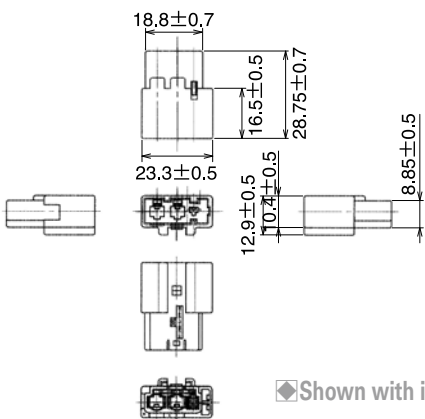
Note : Power supply terminal is GT7-2022PCF(70) or GT7A-2022PCF(70).

### Retainer

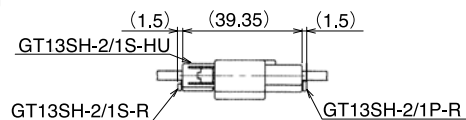


Part Number	HRS No.	Material	Color	RoHS
GT13SH-1/1P-R	763-0056-5	PBT	Dark Gray	YES

### M Housing(2 Coaxials + 1 Power contact)



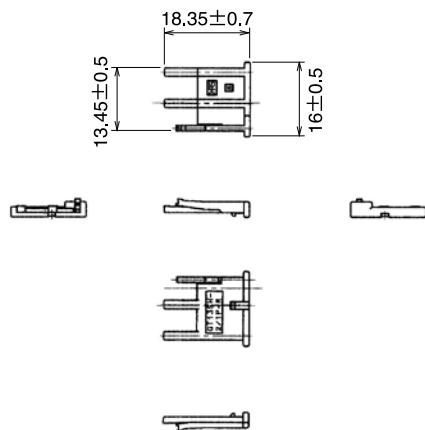
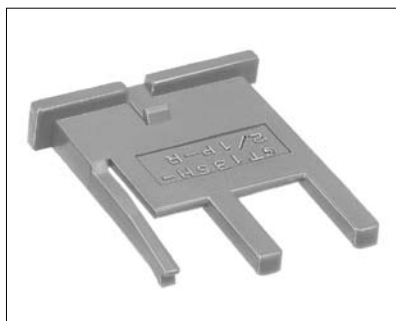
◆Shown with inserted retainer



Part Number	HRS No.	Material	Color	RoHS
GT13SH-2/1PP-HU	763-0076-2	PBT	Light Gray	YES

Note : GT7-2022SCF(70) or GT7A-2022SCF(70) is used for power supply terminals.

### ● Retainer



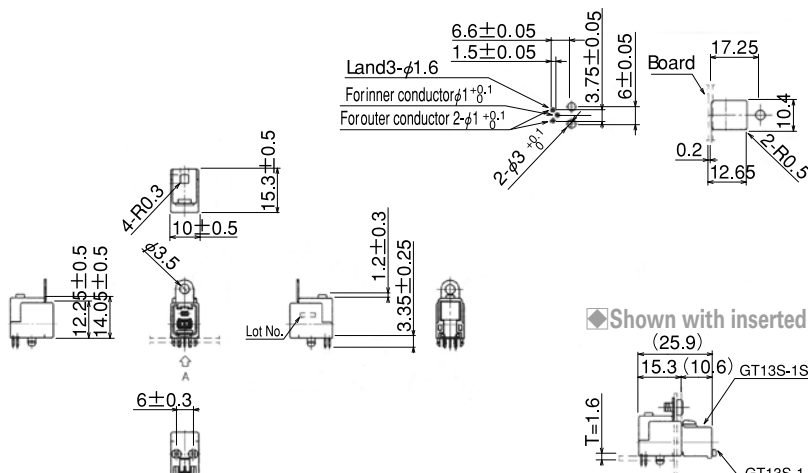
Part Number	HRS No.	Material	Color	RoHS
GT13SH-2/1P-R	763-0077-5	PBT	Dark Gray	YES

### ■ Printed Circuit Board Type(1 Coaxial)



◆Recommended Board Mounting Pattern

◆Recommended Panel Cut-out



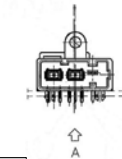
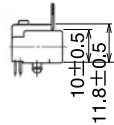
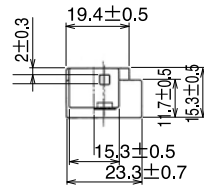
◆Shown with inserted retainer

Part Number	HRS No.	Material	Color	RoHS
GT13SHA-1PP-DS	763-0062-8	PBT	Light Gray	YES

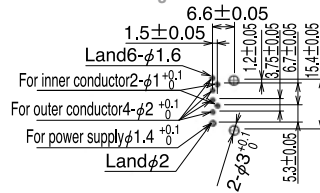
Part	Material	Color/Finish
Housing	PBT	—
Center terminal	Copper alloy	Tin plating
Outside tube terminal	Copper alloy	Tin plating
Metal bracket	Copper alloy	Tin plating



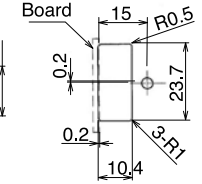
## Printed Circuit Board Type (2 Coaxials + 1 Power contact)



Recommended Board Mounting Pattern



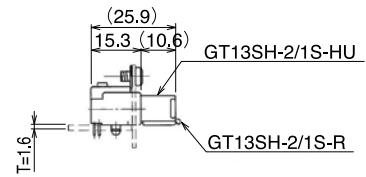
Recommended Panel Cut-out



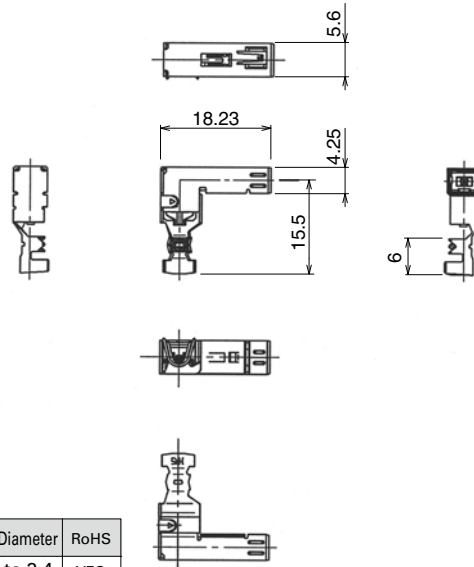
Part Number	HRS No.	Material	Color	RoHS
GT13SHA-2/1PP-DS	763-0063-0	PBT	Light Gray	YES

Part	Material	Color/Finish
Housing	PBT	—
Center terminal	Copper alloy	Tin plating
Outside tube terminal	Copper alloy	Tin plating
Power terminal	Copper alloy	Tin plating
Metal bracket	Copper alloy	Tin plating

Shown with inserted retainer

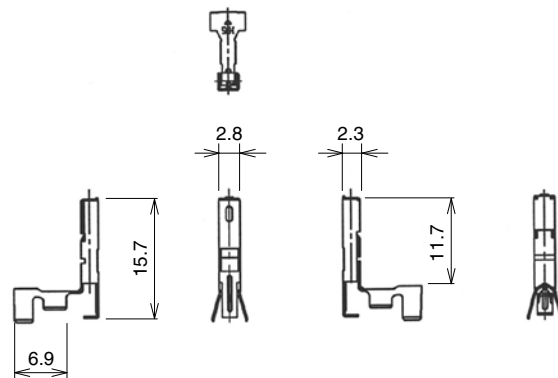


## F Terminal



Part Number	HRS No.	Conductor Size (AWG)	Inner Insulation Diameter	Outer Diameter	RoHS
GT13R-1.6-2.9SC(70)	763-0073-4-70	AWG#20~22	φ 1.5 to 2	φ 2.6 to 3.4	YES

## F Terminal

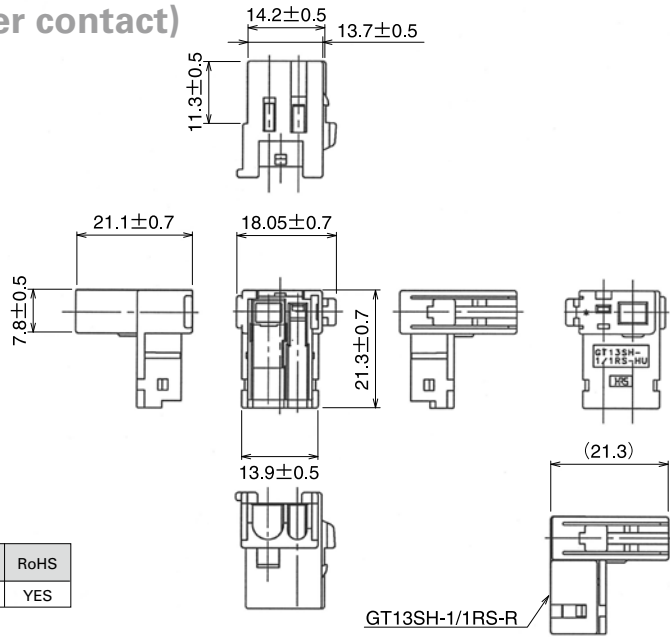
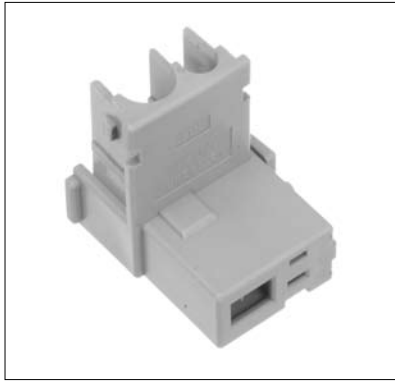


Part Number	HRS No.	Conductor Size (AWG)	Outer Diameter	RoHS
GT7RA-2022SC	757-0032-5	AWG#20~22	φ 2.6 to 3.1	YES

- GT 5
- GT 13
- GT 16
- PO5G
- GT 11
- GT 17
- GT 19
- GT 26
- GT 27
- GT 3
- GT 6W
- GT 7
- GT 10
- GT 18W
- GT 15
- GT 8
- GT 9
- GT 25
- GT 22

GT 5  
 GT 13  
 GT 16  
 PO5G  
 GT 11  
 GT 17  
 GT 19  
 GT 26  
 GT 27  
 GT 3  
 GT 6W  
 GT 7  
 GT 10  
 GT 18W  
 GT 15  
 GT 8  
 GT 9  
 GT 25  
 GT 22

## F Housing(1 Coaxial +1 Power contact)



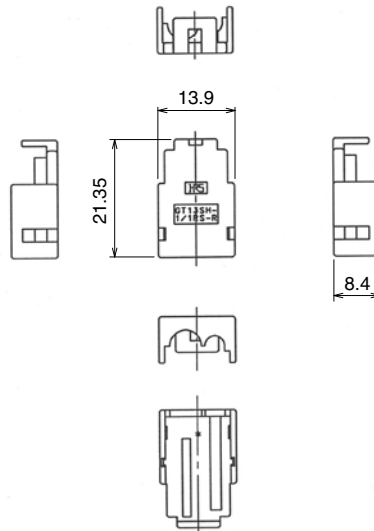
GT13SH-1/1RS-R

◆ Shown with inserted retainer

Part Number	HRS No.	Material	Color	RoHS
GT13SH-1/1RS-HU	763-0074-7	PBT	Light Gray	YES

Note1 : GT7RA-2022SC is used for power supply terminals.  
 Note2 : GT13R-1.6-2.9SC is used for signal.

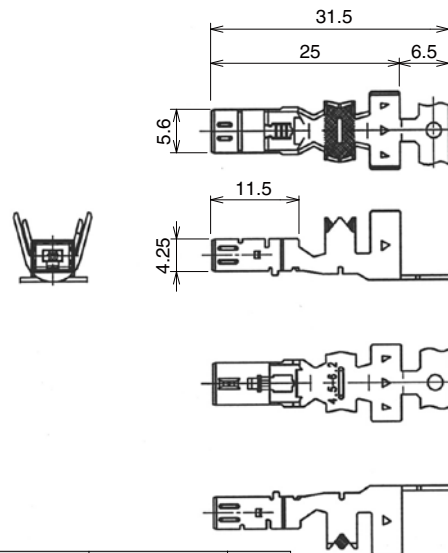
## ● Retainer (Used with GT13SH-1/1RS-HU)



Part Number	HRS No.	Material	Color	RoHS
GT13SH-1/1RS-R	763-0075-0	PBT	Dark Gray	YES

## GT13GM Series

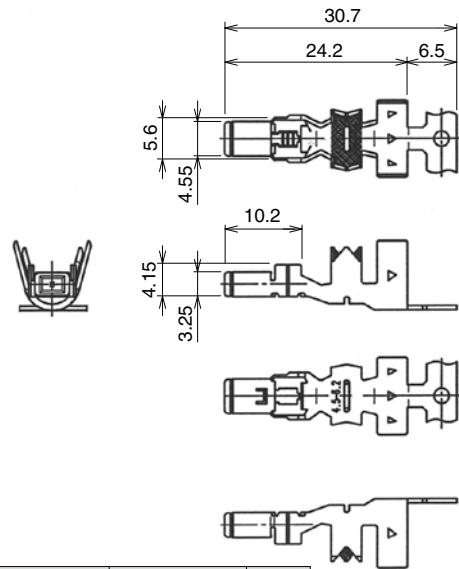
### F Terminals



Part Number	HRS No.	Conductor Size (AWG)	Inner Insulation Diameter	Outer Diameter	Packaging	RoHS
GT13GM-2022/4.5-6.2SCF	763-0084-0	AWG#20~22	φ 4.2 to 4.8	φ 5.8 to 6.6	1400 pcs/reel	YES

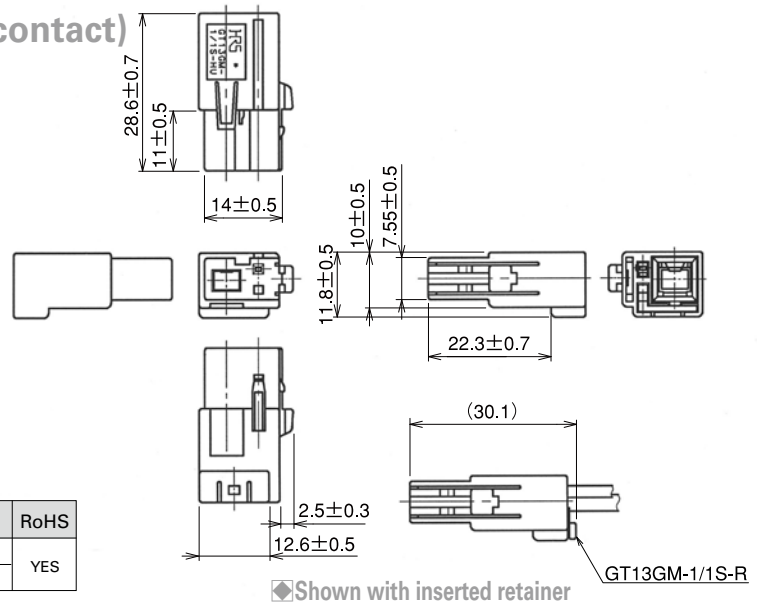


## M Terminals



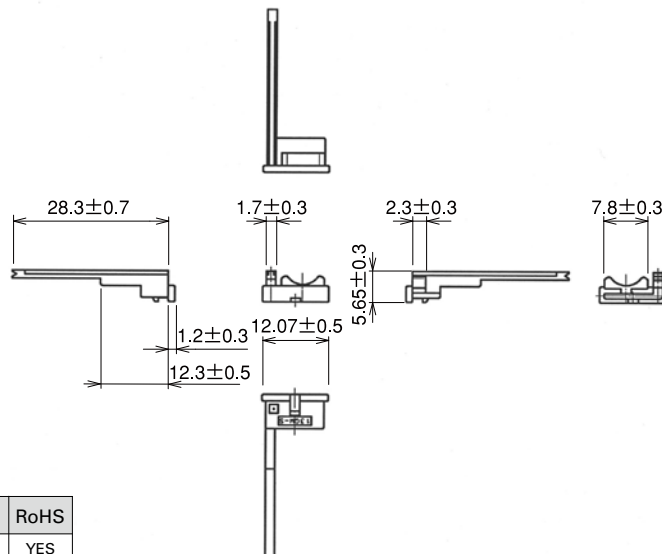
Part Number	HRS No.	Conductor Size (AWG)	Inner Insulation Diameter	Outer Diameter	Packaging	RoHS
GT13GM-2022/4.5-6.2PCF	763-0085-3	AWG#20~22	φ 4.2 to 4.8	φ 5.8 to 6.6	1400 pcs/reel	YES

## F Housing(1 Coaxial +1 Power contact)



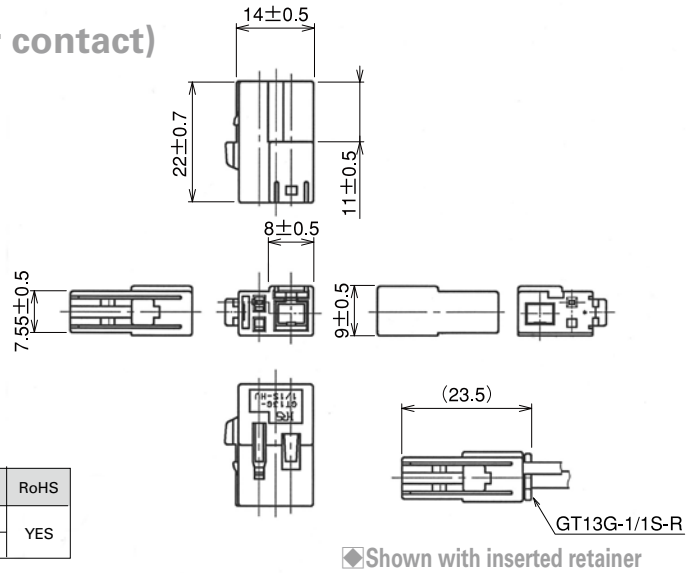
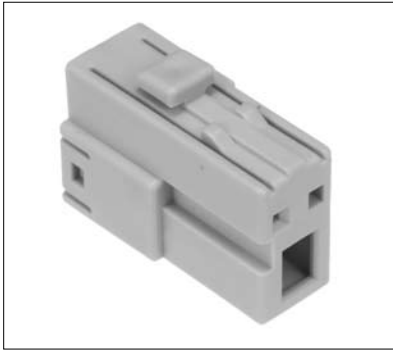
Part Number	HRS No.	Material	Color	RoHS
GT13GM-1/1S-HU	763-0088-6	PBT	Light Gray	YES
GT13GM-1/1S-HU(22)	763-0088-6-22	PBT	White	

## Retainer (Only for GT13GM-1/1S-HU)



Part Number	HRS No.	Material	Color	RoHS
GT13GM-1/1S-R	763-0087-9	PBT	Dark Gray	YES

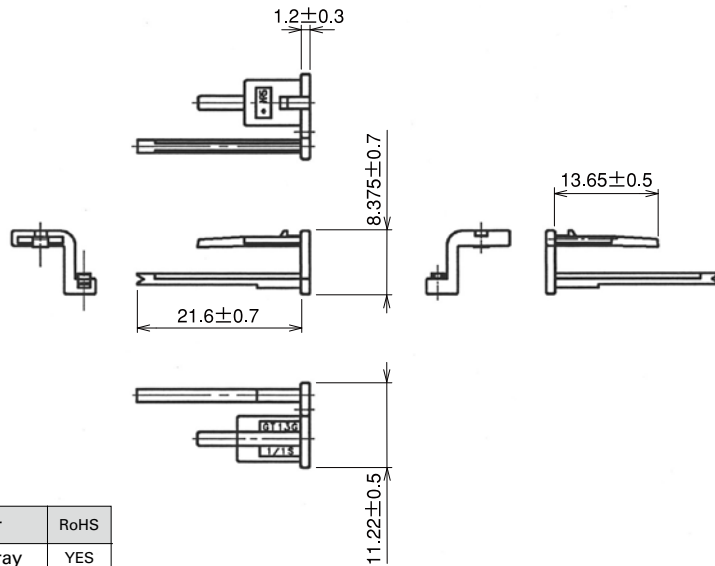
### F Housing(1 Coaxial +1 Power contact)



Part Number	HRS No.	Material	Color	RoHS
GT13G-1/1S-HU	763-0090-3	PBT	Light Gray	YES
GT13G-1/1S-HU(22)	763-0090-3-22	PBT	White	YES

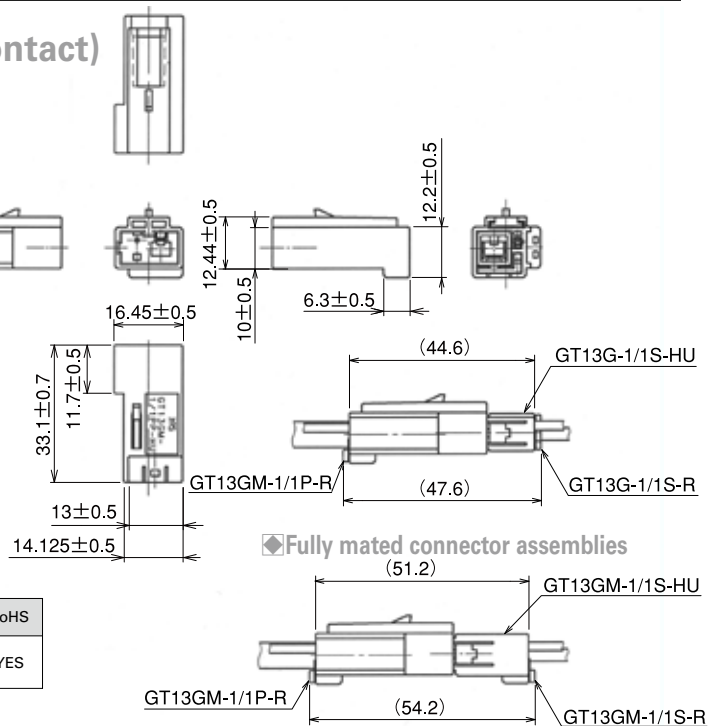
Note : Retor to page 30, 31 for F terminals.

### Retainer (Only for GT13G-1/1S-HU)



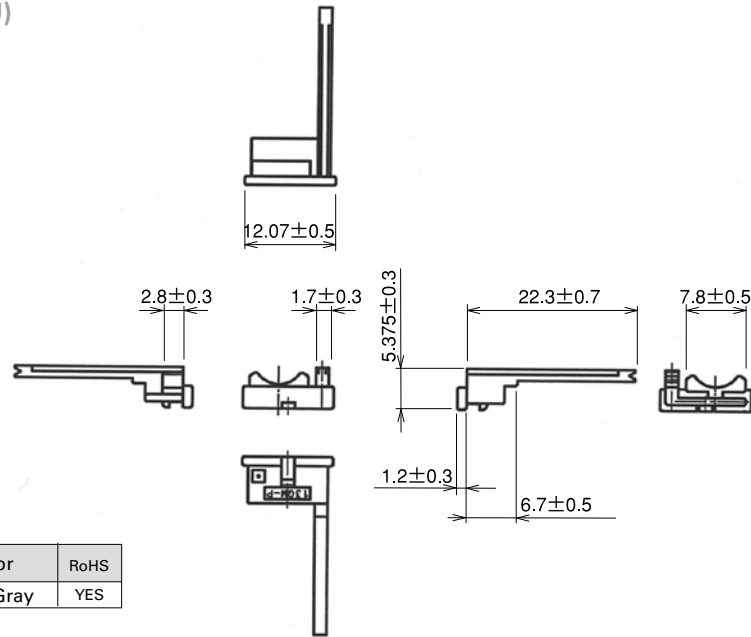
Part Number	HRS No.	Material	Color	RoHS
GT13G-1/1S-R	763-0091-6	PBT	Dark Gray	YES

### M Housing(1 Coaxial +1 Power contact)



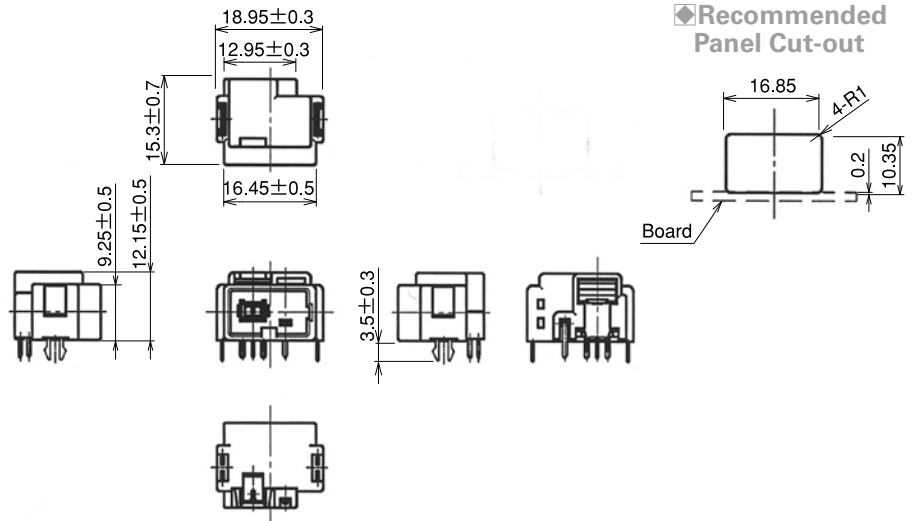
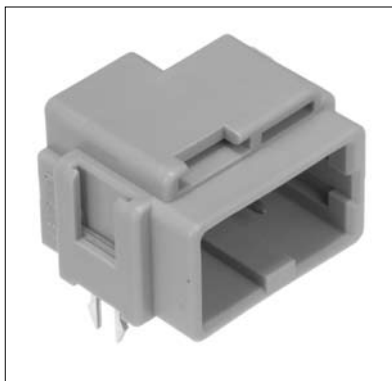
Part Number	HRS No.	Material	Color	RoHS
GT13GM-1/1PP-HU	763-0091-6	PBT	Dark Gray	YES
GT13GM-1/1PP-HU(22)	763-0091-6-22	PBT	White	YES

● Retainer (Only for GT13GM-1/1PP-HU)

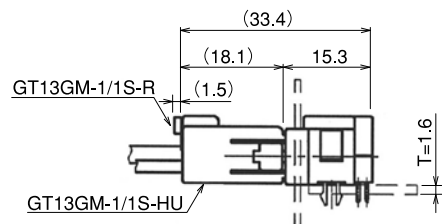


Part Number	HRS No.	Material	Color	RoHS
GT13GM-1/1P-R	763-0089-4	PBT	Dark Gray	YES

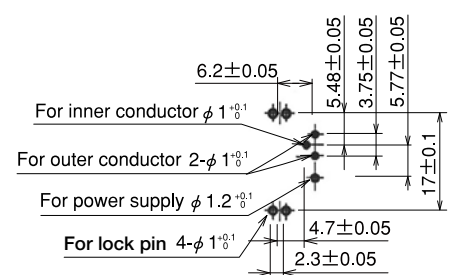
■ Printed Circuit Board Type (1 Coaxial + 1 Power contact)



◆ Fully mated connector assemblies



◆ Recommended Board Mounting Pattern



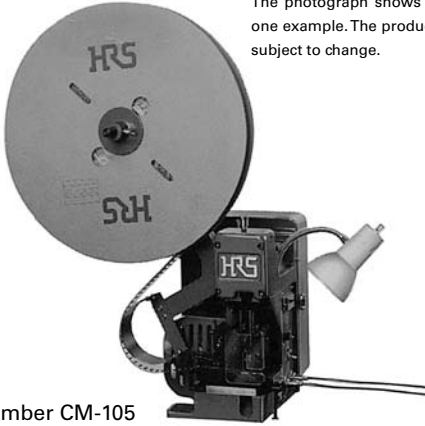
Part Number	HRS No.	Material	Color	Corresponding F connector	RoHS
GT13GM-1/1PP-DS(10)	763-0094-4-10	PBT	Light Gray	GT13G-1/1S-HU GT13GM-1/1S-HU	YES

Part	Material	Color/Finish
Housing	PBT	—
Center terminal	Copper alloy	Tin plating
Outside tube terminal	Copper alloy	Tin plating
Power terminal	Copper alloy	Tin plating
Metal bracket	Copper alloy	Tin plating

## ◆ Termination Tools

User's manuals are available. Please contact a Hirose Electric account representative.

### Automatic Crimping Machine



The photograph shows just one example. The product is subject to change.

Part Number CM-105

\* Crimp height setting tables are available for each cable type. Please contact your nearest Hirose Electric account representative.  
Different cables will require different crimp height settings.

● **Special reel stand is required.**

● **Harness Tool**

Part Number	HRS No.
AP105-GT13-2428/1.6-2.9-S	901-5073-1
AP105-GT13-2428/1.6-2.9P	901-5074-7
AP105-GT13-30/1.6-2.9S-ID	901-5099-5
AP105-GT13-30/1.6-2.9P-ID	901-5118-8
AP105-GT13-30/1.6-2.9S	901-5116-2
AP105-GT13-30/1.6-2.9P	901-5119-0

### Specifications

Item	Specification	Remarks
Specification	1.5tons	
Stroke Length	30mm	
Number of strokes	200spm (50Hz)	200spm (60Hz)
Weight	75kg	
Motor	0.2kW	AC 100V
Crimping speed	2000 to 4000pcs/h	

Компания «Океан Электроники» предлагает заключение долгосрочных отношений при поставках импортных электронных компонентов на взаимовыгодных условиях!

Наши преимущества:

- Поставка оригинальных импортных электронных компонентов напрямую с производств Америки, Европы и Азии, а так же с крупнейших складов мира;
- Широкая линейка поставок активных и пассивных импортных электронных компонентов (более 30 млн. наименований);
- Поставка сложных, дефицитных, либо снятых с производства позиций;
- Оперативные сроки поставки под заказ (от 5 рабочих дней);
- Экспресс доставка в любую точку России;
- Помощь Конструкторского Отдела и консультации квалифицированных инженеров;
- Техническая поддержка проекта, помощь в подборе аналогов, поставка прототипов;
- Поставка электронных компонентов под контролем ВП;
- Система менеджмента качества сертифицирована по Международному стандарту ISO 9001;
- При необходимости вся продукция военного и аэрокосмического назначения проходит испытания и сертификацию в лаборатории (по согласованию с заказчиком);
- Поставка специализированных компонентов военного и аэрокосмического уровня качества (Xilinx, Altera, Analog Devices, Intersil, Interpoint, Microsemi, Actel, Aeroflex, Peregrine, VPT, Syfer, Eurofarad, Texas Instruments, MS Kennedy, Miteq, Cobham, E2V, MA-COM, Hittite, Mini-Circuits, General Dynamics и др.);

Компания «Океан Электроники» является официальным дистрибьютором и эксклюзивным представителем в России одного из крупнейших производителей разъемов военного и аэрокосмического назначения «JONHON», а так же официальным дистрибьютором и эксклюзивным представителем в России производителя высокотехнологичных и надежных решений для передачи СВЧ сигналов «FORSTAR».



## JONHON

«JONHON» (основан в 1970 г.)

Разъемы специального, военного и аэрокосмического назначения:

(Применяются в военной, авиационной, аэрокосмической, морской, железнодорожной, горно- и нефтедобывающей отраслях промышленности)

«FORSTAR» (основан в 1998 г.)

ВЧ соединители, коаксиальные кабели, кабельные сборки и микроволновые компоненты:

(Применяются в телекоммуникациях гражданского и специального назначения, в средствах связи, РЛС, а так же военной, авиационной и аэрокосмической отраслях промышленности).



Телефон: 8 (812) 309-75-97 (многоканальный)

Факс: 8 (812) 320-03-32

Электронная почта: [ocean@oceanchips.ru](mailto:ocean@oceanchips.ru)

Web: <http://oceanchips.ru/>

Адрес: 198099, г. Санкт-Петербург, ул. Калинина, д. 2, корп. 4, лит. А