

# 74VHCT125AFT, 74VHCT126AFT

## 1. Functional Description

- Quad Bus Buffer, Non-Inverted 3-State Outputs  
74VHCT125AFT: QUAD BUS BUFFER  
74VHCT126AFT: QUAD BUS BUFFER

## 2. General

The 74VHCT125AFT and 74VHCT126AFT are high speed CMOS QUAD BUS BUFFERs fabricated with silicon gate C<sup>2</sup>MOS technology.

They achieve the high speed operation similar to equivalent Bipolar Schottky TTL while maintaining the CMOS low power dissipation.

The 74VHCT125AFT requires the 3-state control input  $\overline{G}$  to be set high to place the output into the high impedance state, whereas the 74VHCT126AFT requires the control input G to be set low to place the output into high impedance.

The input voltage are compatible with TTL output voltage.

This device may be used as a level converter for interfacing 3.3 V to 5 V system.

Input protection and output circuit ensure that 0 to 5.5 V can be applied to the input and output (Note) pins without regard to the supply voltage. Their structure prevents device destruction due to mismatched supply and input/output voltages such as battery back up, hot board insertion, etc.

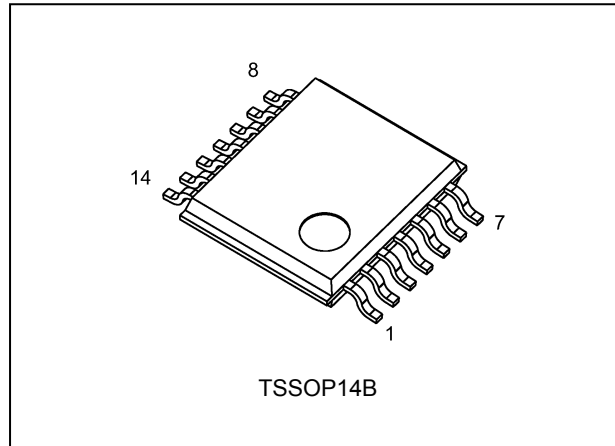
Note: Output in off-state

## 3. Features

- (1) AEC-Q100 (Rev. H) (Note 1)
- (2) Wide operating temperature range:  $T_{opr} = -40$  to  $125$  °C
- (3) High speed: Propagation delay time = 3.8 ns (typ.) at  $V_{CC} = 5.0$  V
- (4) Quiescent supply current:  $I_{CC} = 4.0$   $\mu$ A (max) at  $T_a = 25$  °C
- (5) Compatible with TTL input:  $V_{IL} = 0.8$  V(max)  
 $V_{IH} = 2.0$  V(min)
- (6) Power down protection is provided on all inputs and outputs.
- (7) Balanced propagation delays:  $t_{PLH} \approx t_{PHL}$
- (8) Low noise:  $V_{OLP} = 0.8$  V (max)
- (9) Pin and function compatible with the 74 series  
(ACT/HCT/AHCT etc.) 125/126 type.

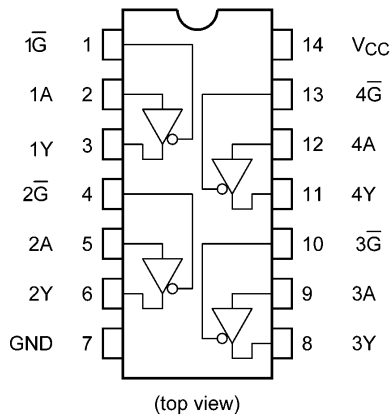
Note 1: This device is compliant with the reliability requirements of AEC-Q100. For details, contact your Toshiba sales representative.

**4. Packaging**

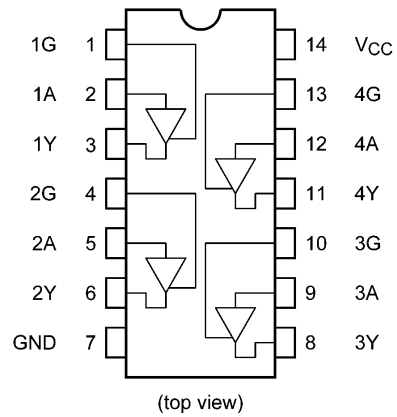


**5. Pin Assignment**

74VHCT125AFT

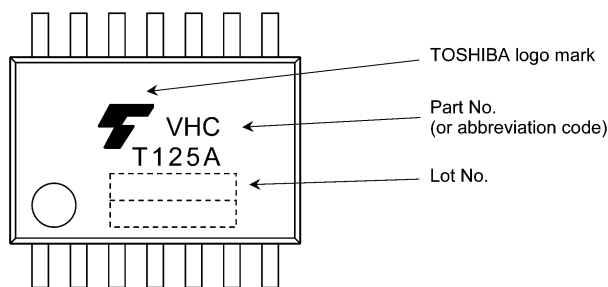


74VHCT126AFT

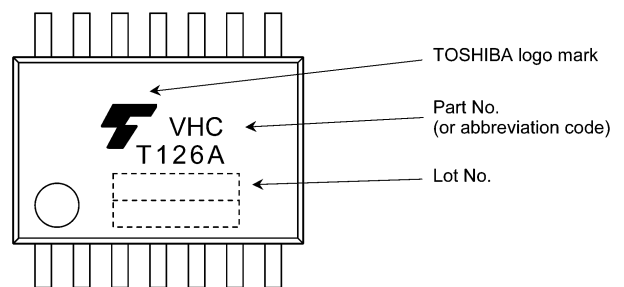


**6. Marking**

74VHCT125AFT

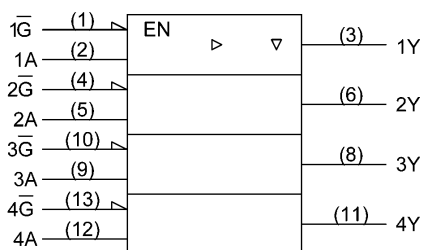


74VHCT126AFT

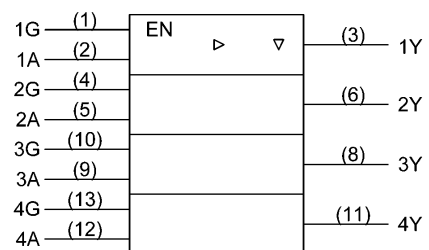


**7. IEC Logic Symbol**

74VHCT125AFT



74VHCT126AFT



**8. Truth Table**

Input $\bar{G}$ (74VHCT125AFT)	Input G (74VHCT126AFT)	Input A	Output Y
H	L	X	Z
L	H	L	L
L	H	H	H

X: Don't care  
Z: High impedance

**9. Absolute Maximum Ratings (Note)**

Characteristics	Symbol	Note	Rating	Unit
Supply voltage	$V_{CC}$		-0.5 to 7.0	V
Input voltage	$V_{IN}$		-0.5 to 7.0	V
Output voltage	$V_{OUT}$	(Note 1)	-0.5 to 7.0	V
		(Note 2)	-0.5 to $V_{CC} + 0.5$	
Input diode current	$I_{IK}$		-20	mA
Output diode current	$I_{OK}$	(Note 3)	$\pm 20$	mA
Output current	$I_{OUT}$		$\pm 25$	mA
$V_{CC}$ /ground current	$I_{CC}$		$\pm 50$	mA
Power dissipation	$P_D$	(Note 4)	180	mW
Storage temperature	$T_{stg}$		-65 to 150	$^{\circ}C$

Note: Exceeding any of the absolute maximum ratings, even briefly, lead to deterioration in IC performance or even destruction.

Using continuously under heavy loads (e.g. the application of high temperature/current/voltage and the significant change in temperature, etc.) may cause this product to decrease in the reliability significantly even if the operating conditions (i.e. operating temperature/current/voltage, etc.) are within the absolute maximum ratings and the operating ranges.

Please design the appropriate reliability upon reviewing the Toshiba Semiconductor Reliability Handbook ("Handling Precautions"/"Derating Concept and Methods") and individual reliability data (i.e. reliability test report and estimated failure rate, etc).

Note 1: Output in OFF state.

Note 2: High (H) or Low (L) state.  $I_{OUT}$  absolute maximum rating must be observed.

Note 3:  $V_{OUT} < GND$ ,  $V_{OUT} > V_{CC}$

Note 4: 180 mW in the range of  $T_a = -40$  to  $85^{\circ}C$ . From  $T_a = 85$  to  $125^{\circ}C$  a derating factor of  $-3.25$  mW/ $^{\circ}C$  shall be applied until 50 mW.

**10. Operating Ranges (Note)**

Characteristics	Symbol	Note	Rating	Unit
Supply voltage	$V_{CC}$		4.5 to 5.5	V
Input voltage	$V_{IN}$		0 to 5.5	V
Output voltage	$V_{OUT}$	(Note 1)	0 to 5.5	V
		(Note 2)	0 to $V_{CC}$	
Operating temperature	$T_{opr}$		-40 to 125	$^{\circ}C$
Input rise and fall times	$dt/dv$		0 to 20	ns/V

Note: The operating ranges must be maintained to ensure the normal operation of the device.

Unused inputs must be tied to either  $V_{CC}$  or GND.

Note 1: Output in OFF state.

Note 2: High (H) or Low (L) state.

**11. Electrical Characteristics**

**11.1. DC Characteristics (Unless otherwise specified,  $T_a = 25\text{ }^\circ\text{C}$ )**

Characteristics	Symbol	Test Condition	$V_{CC}$ (V)	Min	Typ.	Max	Unit	
High-level input voltage	$V_{IH}$	—	4.5 to 5.5	2.0	—	—	V	
Low-level input voltage	$V_{IL}$	—	4.5 to 5.5	—	—	0.8	V	
High-level output voltage	$V_{OH}$	$V_{IN} = V_{IH}$ or $V_{IL}$	$I_{OH} = -50\text{ }\mu\text{A}$	4.5	4.4	4.5	—	V
			$I_{OH} = -8\text{ mA}$	4.5	3.94	—	—	
Low-level output voltage	$V_{OL}$	$V_{IN} = V_{IH}$ or $V_{IL}$	$I_{OL} = 50\text{ }\mu\text{A}$	4.5	—	0.0	0.1	V
			$I_{OL} = 8\text{ mA}$	4.5	—	—	0.36	
3-state output OFF-state leakage current	$I_{OZ}$	$V_{IN} = V_{IH}$ or $V_{IL}$ $V_{OUT} = V_{CC}$ or GND	5.5	—	—	$\pm 0.25$	$\mu\text{A}$	
Input leakage current	$I_{IN}$	$V_{IN} = 5.5\text{ V}$ or GND	0 to 5.5	—	—	$\pm 0.1$	$\mu\text{A}$	
Quiescent supply current	$I_{CC}$	$V_{IN} = V_{CC}$ or GND	5.5	—	—	4.0	$\mu\text{A}$	
	$I_{CCT}$	Per input: $V_{IN} = 3.4\text{ V}$ Other input: $V_{CC}$ or GND	5.5	—	—	1.35	mA	
Output leakage current (Power-OFF)	$I_{OPD}$	$V_{OUT} = 5.5\text{ V}$	0	—	—	0.5	$\mu\text{A}$	

**11.2. DC Characteristics (Unless otherwise specified,  $T_a = -40$  to  $85\text{ }^\circ\text{C}$ )**

Characteristics	Symbol	Test Condition	$V_{CC}$ (V)	Min	Max	Unit	
High-level input voltage	$V_{IH}$	—	4.5 to 5.5	2.0	—	V	
Low-level input voltage	$V_{IL}$	—	4.5 to 5.5	—	0.8	V	
High-level output voltage	$V_{OH}$	$V_{IN} = V_{IH}$ or $V_{IL}$	$I_{OH} = -50\text{ }\mu\text{A}$	4.5	4.4	—	V
			$I_{OH} = -8\text{ mA}$	4.5	3.80	—	
Low-level output voltage	$V_{OL}$	$V_{IN} = V_{IH}$ or $V_{IL}$	$I_{OL} = 50\text{ }\mu\text{A}$	4.5	—	0.1	V
			$I_{OL} = 8\text{ mA}$	4.5	—	0.44	
3-state output OFF-state leakage current	$I_{OZ}$	$V_{IN} = V_{IH}$ or $V_{IL}$ $V_{OUT} = V_{CC}$ or GND	5.5	—	$\pm 2.50$	$\mu\text{A}$	
Input leakage current	$I_{IN}$	$V_{IN} = 5.5\text{ V}$ or GND	0 to 5.5	—	$\pm 1.0$	$\mu\text{A}$	
Quiescent supply current	$I_{CC}$	$V_{IN} = V_{CC}$ or GND	5.5	—	40.0	$\mu\text{A}$	
Quiescent supply current	$I_{CCT}$	Per input: $V_{IN} = 3.4\text{ V}$ Other input: $V_{CC}$ or GND	5.5	—	1.50	mA	
Output leakage current (Power-OFF)	$I_{OPD}$	$V_{OUT} = 5.5\text{ V}$	0	—	5.0	$\mu\text{A}$	

**11.3. DC Characteristics (Unless otherwise specified,  $T_a = -40$  to  $125\text{ }^\circ\text{C}$ )**

Characteristics	Symbol	Test Condition	$V_{CC}$ (V)	Min	Max	Unit	
High-level input voltage	$V_{IH}$	—	4.5 to 5.5	2.0	—	V	
Low-level input voltage	$V_{IL}$	—	4.5 to 5.5	—	0.8	V	
High-level output voltage	$V_{OH}$	$V_{IN} = V_{IH}$ or $V_{IL}$	$I_{OH} = -50\text{ }\mu\text{A}$	4.5	4.4	—	V
			$I_{OH} = -8\text{ mA}$	4.5	3.70	—	
Low-level output voltage	$V_{OL}$	$V_{IN} = V_{IH}$ or $V_{IL}$	$I_{OL} = 50\text{ }\mu\text{A}$	4.5	—	0.1	V
			$I_{OL} = 8\text{ mA}$	4.5	—	0.55	
3-state output OFF-state leakage current	$I_{OZ}$	$V_{IN} = V_{IH}$ or $V_{IL}$ $V_{OUT} = V_{CC}$ or GND	5.5	—	$\pm 10.0$	$\mu\text{A}$	
Input leakage current	$I_{IN}$	$V_{IN} = 5.5\text{ V}$ or GND	0 to 5.5	—	$\pm 2.0$	$\mu\text{A}$	
Quiescent supply current	$I_{CC}$	$V_{IN} = V_{CC}$ or GND	5.5	—	80.0	$\mu\text{A}$	
	$I_{CCT}$	Per input: $V_{IN} = 3.4\text{ V}$ Other input: $V_{CC}$ or GND	5.5	—	1.50	mA	
Output leakage current (Power-OFF)	$I_{OPD}$	$V_{OUT} = 5.5\text{ V}$	0	—	20.0	$\mu\text{A}$	

**11.4. AC Characteristics (Unless otherwise specified,  $T_a = 25\text{ }^\circ\text{C}$ , Input:  $t_r = t_f = 3\text{ ns}$ )**

Characteristics	Part Number	Symbol	Note	Test Condition	$V_{CC}$ (V)	$C_L$ (pF)	Min	Typ.	Max	Unit
Propagation delay time		$t_{PLH}, t_{PHL}$		—	$5.0 \pm 0.5$	15	—	3.8	5.5	ns
						50	—	5.3	7.5	
3-state output enable time		$t_{PZL}, t_{PZH}$		$R_L = 1\text{ k}\Omega$	$5.0 \pm 0.5$	15	—	3.6	5.1	ns
						50	—	5.1	7.1	
3-state output disable time		$t_{PLZ}, t_{PHZ}$		$R_L = 1\text{ k}\Omega$	$5.0 \pm 0.5$	50	—	6.1	8.8	ns
Output skew		$t_{osLH}, t_{osHL}$	(Note 1)	—	$5.0 \pm 0.5$	50	—	—	1.0	ns
Input capacitance		$C_{IN}$		—			—	4	10	pF
Output capacitance		$C_{OUT}$		—			—	6	—	pF
Power dissipation capacitance	74VHCT125AFT	$C_{PD}$	(Note 2)	—			—	14	—	pF
	74VHCT126AFT						—	15	—	

Note 1: Parameter guaranteed by design. ( $t_{osLH} = |t_{PLHM} - t_{PLHN}|$ ,  $t_{osHL} = |t_{PHLM} - t_{PHLN}|$ )

Note 2:  $C_{PD}$  is defined as the value of the internal equivalent capacitance which is calculated from the operating current consumption without load. Average operating current can be obtained by the equation.

$$I_{CC(opr)} = C_{PD} \times V_{CC} \times f_{IN} + I_{CC}/4 \text{ (per gate)}$$

**11.5. AC Characteristics (Unless otherwise specified,  $T_a = -40\text{ to }85\text{ }^\circ\text{C}$ , Input:  $t_r = t_f = 3\text{ ns}$ )**

Characteristics	Symbol	Note	Test Condition	$V_{CC}$ (V)	$C_L$ (pF)	Min	Max	Unit
Propagation delay time	$t_{PLH}, t_{PHL}$		—	$5.0 \pm 0.5$	15	1.0	6.5	ns
					50	1.0	8.5	
3-state output enable time	$t_{PZL}, t_{PZH}$		$R_L = 1\text{ k}\Omega$	$5.0 \pm 0.5$	15	1.0	6.0	ns
					50	1.0	8.0	
3-state output disable time	$t_{PLZ}, t_{PHZ}$		$R_L = 1\text{ k}\Omega$	$5.0 \pm 0.5$	50	1.0	10.0	ns
Output skew	$t_{osLH}, t_{osHL}$	(Note 1)	—	$5.0 \pm 0.5$	50	—	1.0	ns
Input capacitance	$C_{IN}$		—			—	10	pF

Note 1: Parameter guaranteed by design. ( $t_{osLH} = |t_{PLHM} - t_{PLHN}|$ ,  $t_{osHL} = |t_{PHLM} - t_{PHLN}|$ )

**11.6. AC Characteristics (Unless otherwise specified,  $T_a = -40\text{ to }125\text{ }^\circ\text{C}$ , Input:  $t_r = t_f = 3\text{ ns}$ )**

Characteristics	Symbol	Note	Test Condition	$V_{CC}$ (V)	$C_L$ (pF)	Min	Max	Unit
Propagation delay time	$t_{PLH}, t_{PHL}$		—	$5.0 \pm 0.5$	15	1.0	7.0	ns
					50	1.0	9.5	
3-state output enable time	$t_{PZL}, t_{PZH}$		$R_L = 1\text{ k}\Omega$	$5.0 \pm 0.5$	15	1.0	6.5	ns
					50	1.0	9.0	
3-state output disable time	$t_{PLZ}, t_{PHZ}$		$R_L = 1\text{ k}\Omega$	$5.0 \pm 0.5$	50	1.0	11.0	ns
Output skew	$t_{osLH}, t_{osHL}$	(Note 1)	—	$5.0 \pm 0.5$	50	—	1.0	ns
Input capacitance	$C_{IN}$		—			—	10	pF

Note 1: Parameter guaranteed by design. ( $t_{osLH} = |t_{PLHM} - t_{PLHN}|$ ,  $t_{osHL} = |t_{PHLM} - t_{PHLN}|$ )

**11.7. Noise Characteristics (Unless otherwise specified,  $T_a = 25\text{ }^\circ\text{C}$ , Input:  $t_r = t_f = 3\text{ ns}$ )**

Characteristics	Symbol	Test Condition	$V_{CC}$ (V)	Typ.	Limit	Unit
Quiet output maximum dynamic $V_{OL}$	$V_{OLP}$	$C_L = 50\text{ pF}$	5.0	0.5	0.8	V
Quiet output minimum dynamic $V_{OL}$	$V_{OLV}$	$C_L = 50\text{ pF}$	5.0	-0.5	-0.8	
Minimum high-level dynamic input voltage	$V_{IHD}$	$C_L = 50\text{ pF}$	5.0	—	2.0	
Maximum low-level dynamic input voltage	$V_{ILD}$	$C_L = 50\text{ pF}$	5.0	—	0.8	

Package Dimensions

Unit: mm



Weight: 0.054 g (typ.)

Package Name(s)
Nickname: TSSOP14B

## RESTRICTIONS ON PRODUCT USE

- Toshiba Corporation, and its subsidiaries and affiliates (collectively "TOSHIBA"), reserve the right to make changes to the information in this document, and related hardware, software and systems (collectively "Product") without notice.
- This document and any information herein may not be reproduced without prior written permission from TOSHIBA. Even with TOSHIBA's written permission, reproduction is permissible only if reproduction is without alteration/omission.
- Though TOSHIBA works continually to improve Product's quality and reliability, Product can malfunction or fail. Customers are responsible for complying with safety standards and for providing adequate designs and safeguards for their hardware, software and systems which minimize risk and avoid situations in which a malfunction or failure of Product could cause loss of human life, bodily injury or damage to property, including data loss or corruption. Before customers use the Product, create designs including the Product, or incorporate the Product into their own applications, customers must also refer to and comply with (a) the latest versions of all relevant TOSHIBA information, including without limitation, this document, the specifications, the data sheets and application notes for Product and the precautions and conditions set forth in the "TOSHIBA Semiconductor Reliability Handbook" and (b) the instructions for the application with which the Product will be used with or for. Customers are solely responsible for all aspects of their own product design or applications, including but not limited to (a) determining the appropriateness of the use of this Product in such design or applications; (b) evaluating and determining the applicability of any information contained in this document, or in charts, diagrams, programs, algorithms, sample application circuits, or any other referenced documents; and (c) validating all operating parameters for such designs and applications. **TOSHIBA ASSUMES NO LIABILITY FOR CUSTOMERS' PRODUCT DESIGN OR APPLICATIONS.**
- **PRODUCT IS NEITHER INTENDED NOR WARRANTED FOR USE IN EQUIPMENTS OR SYSTEMS THAT REQUIRE EXTRAORDINARILY HIGH LEVELS OF QUALITY AND/OR RELIABILITY, AND/OR A MALFUNCTION OR FAILURE OF WHICH MAY CAUSE LOSS OF HUMAN LIFE, BODILY INJURY, SERIOUS PROPERTY DAMAGE AND/OR SERIOUS PUBLIC IMPACT ("UNINTENDED USE").** Except for specific applications as expressly stated in this document, Unintended Use includes, without limitation, equipment used in nuclear facilities, equipment used in the aerospace industry, medical equipment, equipment used for automobiles, trains, ships and other transportation, traffic signaling equipment, equipment used to control combustions or explosions, safety devices, elevators and escalators, devices related to electric power, and equipment used in finance-related fields. **IF YOU USE PRODUCT FOR UNINTENDED USE, TOSHIBA ASSUMES NO LIABILITY FOR PRODUCT.** For details, please contact your TOSHIBA sales representative.
- Do not disassemble, analyze, reverse-engineer, alter, modify, translate or copy Product, whether in whole or in part.
- Product shall not be used for or incorporated into any products or systems whose manufacture, use, or sale is prohibited under any applicable laws or regulations.
- The information contained herein is presented only as guidance for Product use. No responsibility is assumed by TOSHIBA for any infringement of patents or any other intellectual property rights of third parties that may result from the use of Product. No license to any intellectual property right is granted by this document, whether express or implied, by estoppel or otherwise.
- **ABSENT A WRITTEN SIGNED AGREEMENT, EXCEPT AS PROVIDED IN THE RELEVANT TERMS AND CONDITIONS OF SALE FOR PRODUCT, AND TO THE MAXIMUM EXTENT ALLOWABLE BY LAW, TOSHIBA (1) ASSUMES NO LIABILITY WHATSOEVER, INCLUDING WITHOUT LIMITATION, INDIRECT, CONSEQUENTIAL, SPECIAL, OR INCIDENTAL DAMAGES OR LOSS, INCLUDING WITHOUT LIMITATION, LOSS OF PROFITS, LOSS OF OPPORTUNITIES, BUSINESS INTERRUPTION AND LOSS OF DATA, AND (2) DISCLAIMS ANY AND ALL EXPRESS OR IMPLIED WARRANTIES AND CONDITIONS RELATED TO SALE, USE OF PRODUCT, OR INFORMATION, INCLUDING WARRANTIES OR CONDITIONS OF MERCHANTABILITY, FITNESS FOR A PARTICULAR PURPOSE, ACCURACY OF INFORMATION, OR NONINFRINGEMENT.**
- Do not use or otherwise make available Product or related software or technology for any military purposes, including without limitation, for the design, development, use, stockpiling or manufacturing of nuclear, chemical, or biological weapons or missile technology products (mass destruction weapons). Product and related software and technology may be controlled under the applicable export laws and regulations including, without limitation, the Japanese Foreign Exchange and Foreign Trade Law and the U.S. Export Administration Regulations. Export and re-export of Product or related software or technology are strictly prohibited except in compliance with all applicable export laws and regulations.
- Please contact your TOSHIBA sales representative for details as to environmental matters such as the RoHS compatibility of Product. Please use Product in compliance with all applicable laws and regulations that regulate the inclusion or use of controlled substances, including without limitation, the EU RoHS Directive. **TOSHIBA ASSUMES NO LIABILITY FOR DAMAGES OR LOSSES OCCURRING AS A RESULT OF NONCOMPLIANCE WITH APPLICABLE LAWS AND REGULATIONS.**

# Mouser Electronics

Authorized Distributor

Click to View Pricing, Inventory, Delivery & Lifecycle Information:

Toshiba:

[74VHCT125AFT](#)



Компания «Океан Электроники» предлагает заключение долгосрочных отношений при поставках импортных электронных компонентов на взаимовыгодных условиях!

Наши преимущества:

- Поставка оригинальных импортных электронных компонентов напрямую с производств Америки, Европы и Азии, а так же с крупнейших складов мира;
- Широкая линейка поставок активных и пассивных импортных электронных компонентов (более 30 млн. наименований);
- Поставка сложных, дефицитных, либо снятых с производства позиций;
- Оперативные сроки поставки под заказ (от 5 рабочих дней);
- Экспресс доставка в любую точку России;
- Помощь Конструкторского Отдела и консультации квалифицированных инженеров;
- Техническая поддержка проекта, помощь в подборе аналогов, поставка прототипов;
- Поставка электронных компонентов под контролем ВП;
- Система менеджмента качества сертифицирована по Международному стандарту ISO 9001;
- При необходимости вся продукция военного и аэрокосмического назначения проходит испытания и сертификацию в лаборатории (по согласованию с заказчиком);
- Поставка специализированных компонентов военного и аэрокосмического уровня качества (Xilinx, Altera, Analog Devices, Intersil, Interpoint, Microsemi, Actel, Aeroflex, Peregrine, VPT, Syfer, Eurofarad, Texas Instruments, MS Kennedy, Miteq, Cobham, E2V, MA-COM, Hittite, Mini-Circuits, General Dynamics и др.);

Компания «Океан Электроники» является официальным дистрибьютором и эксклюзивным представителем в России одного из крупнейших производителей разъемов военного и аэрокосмического назначения «JONHON», а так же официальным дистрибьютором и эксклюзивным представителем в России производителя высокотехнологичных и надежных решений для передачи СВЧ сигналов «FORSTAR».



## JONHON

«JONHON» (основан в 1970 г.)

Разъемы специального, военного и аэрокосмического назначения:

(Применяются в военной, авиационной, аэрокосмической, морской, железнодорожной, горно- и нефтедобывающей отраслях промышленности)

«FORSTAR» (основан в 1998 г.)

ВЧ соединители, коаксиальные кабели, кабельные сборки и микроволновые компоненты:

(Применяются в телекоммуникациях гражданского и специального назначения, в средствах связи, РЛС, а так же военной, авиационной и аэрокосмической отраслях промышленности).



Телефон: 8 (812) 309-75-97 (многоканальный)

Факс: 8 (812) 320-03-32

Электронная почта: [ocean@oceanchips.ru](mailto:ocean@oceanchips.ru)

Web: <http://oceanchips.ru/>

Адрес: 198099, г. Санкт-Петербург, ул. Калинина, д. 2, корп. 4, лит. А