

Data Sheet



SCA1000-N1000070 2-AXIS HIGH PERFORMANCE ANALOG ACCELEROMETER

Features

- Measurement range $\pm 4g$
- Measurement bandwidth 115 Hz
- Low noise ratiometric analog voltage outputs
- Excellent bias stability over temperature and time
- Digital SPI temperature output
- Comprehensive failure detection features
 - True self test by deflecting the sensing element's proof mass with electrostatic force.
 - Continuous sensing element interconnection failure check.
 - Continuous memory parity check.
- RoHS and lead free soldering process compliant
- Robust design, high shock durability (20000g)

Applications

SCA1000-N1000070 is targeted to inertial sensing applications with high stability and tough environmental requirements. Typical application include

- IMU, AHRS
- Avionics
- UAV
- Navigation and guidance instruments
- Platform stabilization
- Vibration monitoring
- Oil & Gas surveying and drilling
- Train and Rail industry

General Description

The SCA1000-N1000070 is a 3D-MEMS-based dual axis accelerometer that enables tactical grade performance for Inertial Measurement Units (IMUs) operating in tough environmental conditions. The measuring axes of the sensor are parallel to the mounting plane and orthogonal to each other. Wide measurement range and bandwidth, low repeatable temperature behavior, low output noise, together with a very robust sensing element and packaging design, make the SCA1000-N1000070 the ideal choice for challenging inertial sensing applications.



Figure 1. Functional block diagram

TABLE OF CONTENTS

| | |
|--|-----------|
| SCA1000-N1000070 2-Axis HIGH PERFORMANCE ANALOG ACCELEROMETER | 1 |
| Table of Contents | 2 |
| 1 Electrical Specifications | 3 |
| 1.1 Absolute Maximum Ratings | 3 |
| 1.2 Performance Characteristics..... | 3 |
| 1.3 Parameter | 3 |
| 1.4 Electrical Characteristics | 4 |
| 1.5 SPI Interface DC Characteristics..... | 4 |
| 1.6 SPI Interface AC Characteristics..... | 4 |
| 1.7 SPI Interface Timing Specifications..... | 5 |
| 1.8 Electrical Connection..... | 6 |
| 2 Functional Description | 7 |
| 2.1 Measuring Directions..... | 7 |
| 2.2 Ratiometric Output..... | 7 |
| 2.3 SPI Serial Interface..... | 7 |
| 2.4 Self Test and Failure Detection Modes | 10 |
| 2.5 Temperature Measurement | 11 |
| 3 Application Information | 12 |
| 3.1 Recommended Circuit Diagrams and Printed Circuit Board Layouts | 12 |
| 3.2 Recommended Printed Circuit Board Footprint | 13 |
| 4 Mechanical Specifications and Reflow Soldering | 13 |
| 4.1 Mechanical Specifications (Reference only) | 13 |
| 4.2 Reflow Soldering..... | 14 |

1 Electrical Specifications

The product version specific performance specifications are listed in the table SCA1000 performance characteristics below. V_{DD}=5.00V and ambient temperature unless otherwise specified.

1.1 Absolute Maximum Ratings

| | |
|-----------------------------------|--|
| Supply voltage (V _{DD}) | -0.3 V to +5.5V |
| Voltage at input / output pins | -0.3V to (V _{DD} + 0.3V) |
| Storage temperature | -55°C to +125°C |
| Operating temperature | -40°C to +125°C |
| Mechanical shock | Drop from 1 meter onto a concrete surface (20000g). Powered or non-powered |

1.2 Performance Characteristics

| 1.3 Parameter | Condition | Min ⁽¹⁾ | Typical | Max ⁽¹⁾ | Units |
|------------------------------------|--------------------------------|--------------------|---------|--------------------|----------|
| Measuring range | Nominal | -4 | | +4 | g |
| Frequency response | -3dB LP | 60 | 115 | 170 | Hz |
| Offset (Output at 0g) | Ratiometric output | V _{DD} /2 | | V _{DD} /2 | V |
| Offset Digital Output | | | 1024 | | LSB |
| Offset Calibration error | | -20 | | 20 | mg |
| Offset Temperature Dependency | -40...+125°C | 50 | | 50 | mg |
| Sensitivity | | | 0.55 | | V/g |
| Sensitivity Digital Output | | | 226 | | LSB / g |
| Sensitivity Calibration error | | -2 | | +2 | % |
| Sensitivity Temperature Dependency | -40...+125°C | -2.5 | | +2 | % |
| Linearity error | ±4g range | | 80 | | mg |
| | ±4g range | | 160 | | mg |
| Digital Output Resolution | | 11 | | 11 | Bits |
| Output Noise Density | From DC...100Hz | | 95 | 120 | μg / √Hz |
| Ratiometric error | V _{DD} = 4.75...5.25V | -2 | | +2 | % |
| Cross-axis sensitivity | Max. | -3.5 | | +3.5 | % |

Note 1. Min/Max values are +/-3 sigma of test population

1.4 Electrical Characteristics

| Parameter | Condition | Min. | Typ | Max. | Units |
|-------------------------------|------------------------|------|-----|------|-------|
| Supply voltage Vdd | | 4.75 | 5.0 | 5.25 | V |
| Current consumption | Vdd = 5 V; No load | | 4 | 5 | mA |
| Operating temperature | | -40 | | +125 | °C |
| Analog resistive output load | Vout to Vdd or GND | 10 | | | kΩ |
| Analog capacitive output load | Vout to Vdd or GND | | | 20 | nF |
| Start-up delay | Reset and parity check | | | 10 | ms |

1.5 SPI Interface DC Characteristics

| Parameter | Conditions | Symbol | Min | Typ. | Max | Unit |
|--------------------------|-------------------------|------------|---------|----------|---------|------|
| Input terminal CSB | | | | | | |
| Pull up current | $V_{IN} = 0\text{ V}$ | I_{PU} | 13 | 22 | 35 | μA |
| Input high voltage | | V_{IH} | 4 | | Vdd+0.3 | V |
| Input low voltage | | V_{IL} | -0.3 | | 1 | V |
| Hysteresis | | V_{HYST} | | 0.23*Vdd | | V |
| Input capacitance | | C_{IN} | | 2 | | pF |
| Input terminal MOSI, SCK | | | | | | |
| Pull down current | $V_{IN} = 5\text{ V}$ | I_{PD} | 9 | 17 | 29 | μA |
| Input high voltage | | V_{IH} | 4 | | Vdd+0.3 | V |
| Input low voltage | | V_{IL} | -0.3 | | 1 | V |
| Hysteresis | | V_{HYST} | | 0.23*Vdd | | V |
| Input capacitance | | C_{IN} | | 2 | | pF |
| Output terminal MISO | | | | | | |
| Output high voltage | $I > -1\text{ mA}$ | V_{OH} | Vdd-0.5 | | | V |
| Output low voltage | $I < 1\text{ mA}$ | V_{OL} | | | 0.5 | V |
| Tri-state leakage | $0 < V_{MISO} < V_{dd}$ | I_{LEAK} | | 5 | 100 | pA |

1.6 SPI Interface AC Characteristics

| Parameter | Condition | Min. | Typ. | Max. | Units |
|------------------------------|-----------|------|------|------|-------|
| Output load | @500kHz | | | 1 | nF |
| SPI clock frequency | | | | 500 | kHz |
| Internal A/D conversion time | | | 150 | | μs |
| Data transfer time | @500kHz | | 38 | | μs |

1.7 SPI Interface Timing Specifications

| Parameter | Conditions | Symbol | Min. | Typ. | Max. | Unit |
|---|--|------------|------|------|------|---------|
| Terminal CSB, SCK | | | | | | |
| Time from CSB (10%) To SCK (90%) | | T_{LS1} | 120 | | | ns |
| Time from SCK (10%) To CSB (90%) | | T_{LS2} | 120 | | | ns |
| Terminal SCK | | | | | | |
| SCK low time | Load capacitance at MISO < 2 nF | T_{CL} | 1 | | | μ s |
| SCK high time | Load capacitance at MISO < 2 nF | T_{CH} | 1 | | | μ s |
| Terminal MOSI, SCK | | | | | | |
| Time from changing MOSI (10%, 90%) to SCK (90%). Data setup time | | T_{SET} | 30 | | | ns |
| Time from SCK (90%) to changing MOSI (10%,90%). Data hold time | | T_{HOL} | 30 | | | ns |
| Terminal MISO, CSB | | | | | | |
| Time from CSB (10%) to stable MISO (10%, 90%). | Load capacitance at MISO < 15 pF | T_{VAL1} | 10 | | 100 | ns |
| Time from CSB (90%) to high impedance state of MISO. | Load capacitance at MISO < 15 pF | T_{LZ} | 10 | | 100 | ns |
| Terminal MISO, SCK | | | | | | |
| Time from SCK (10%) to stable MISO (10%, 90%). | Load capacitance at MISO < 15 pF | T_{VAL2} | | | 100 | ns |
| Terminal CSB | | | | | | |
| Time between SPI cycles, CSB at high level (90%) | | T_{LH} | 15 | | | μ s |
| When using SPI commands RDAX, RDAY, and RWTR: Time between SPI cycles, CSB at high level (90%) | | TLH | 150 | | | μ s |

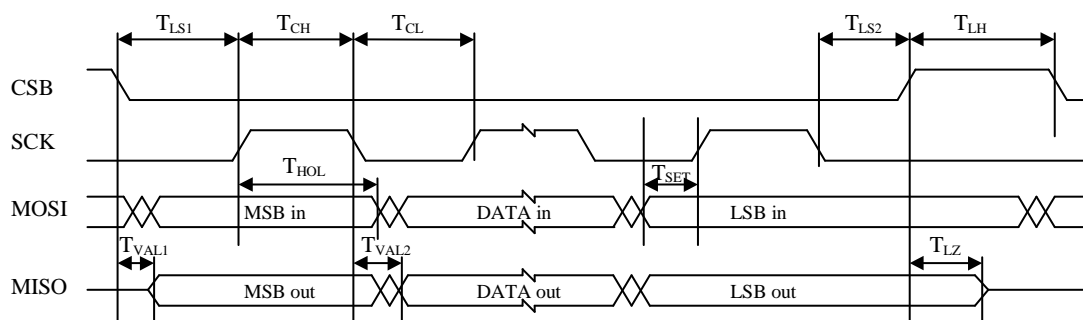


Figure 2. Timing diagram for SPI communication

1.8 Electrical Connection

If the SPI interface is not used SCK (pin1), MISO (pin3), MOSI (pin4) and CSB (pin7) must be left floating. Self-test can be activated applying logic "1" (positive supply voltage level) to ST_1 or ST_2 pins (pins 10 or 9). Self-test must not be activated for both channels at the same time. If ST feature is not used pins 9 and 10 must be left floating or connected to GND. Acceleration signals are provided from pins OUT_1 and OUT_2.



Figure 3. SCA1000 electrical connection

| No. | Node | I/O | Description |
|-----|-------|--------|----------------------------------|
| 1 | SCK | Input | Serial clock |
| 2 | NC | Input | No connect, left floating |
| 3 | MISO | Output | Master in slave out; data output |
| 4 | MOSI | Input | Master out slave in; data input |
| 5 | Out_2 | Output | Y axis Output (Ch 2) |
| 6 | GND | Supply | Ground |
| 7 | CSB | Input | Chip select (active low) |
| 8 | NC | Input | No connect, left floating |
| 9 | ST_2 | Input | Self test input for Ch 2 |
| 10 | ST_1 | Input | Self test input for Ch 1 |
| 11 | Out_1 | Output | X axis Output (Ch 1) |
| 12 | VDD | Supply | Positive supply voltage (+5V DC) |

2 Functional Description

2.1 Measuring Directions



Figure 4. The measuring directions of the SCA1000

2.2 Ratiometric Output

Ratiometric output means that the zero offset point and sensitivity of the sensor are proportional to the supply voltage. If the SCA1000 supply voltage is fluctuating the SCA1000 output will also vary. When the same reference voltage for both the SCA1000 sensor and the measuring part (A/D-converter) is used, the error caused by reference voltage variation is automatically compensated for.

2.3 SPI Serial Interface

A Serial Peripheral Interface (SPI) system consists of one master device and one or more slave devices. The master is defined as a micro controller providing the SPI clock and the slave as any integrated circuit receiving the SPI clock from the master. The ASIC in Murata Electronics' products always operates as a slave device in master-slave operation mode.

The SPI has a 4-wire synchronous serial interface. Data communication is enabled by a low active Slave Select or Chip Select wire (CSB). Data is transmitted by a 3-wire interface consisting of wires for serial data input (MOSI), serial data output (MISO) and serial clock (SCK).

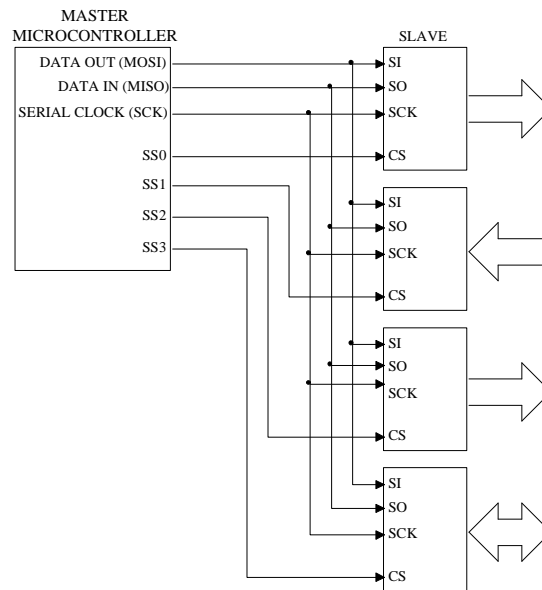


Figure 5. Typical SPI connection

The SPI interface in Murata products is designed to support any micro controller that uses SPI bus. Communication can be carried out by either a software or hardware based SPI. Please note that in the case of hardware based SPI, the received acceleration data is 11 bits. The data transfer uses the following 4-wire interface:

| | | |
|------|--------------------------|--|
| MOSI | master out slave in | $\mu\text{P} \rightarrow \text{SCA1000}$ |
| MISO | master in slave out | $\text{SCA1000} \rightarrow \mu\text{P}$ |
| SCK | serial clock | $\mu\text{P} \rightarrow \text{SCA1000}$ |
| CSB | chip select (low active) | $\mu\text{P} \rightarrow \text{SCA1000}$ |

Each transmission starts with a falling edge of CSB and ends with the rising edge. During transmission, commands and data are controlled by SCK and CSB according to the following rules:

- commands and data are shifted; MSB first, LSB last
- each output data/status bits are shifted out on the falling edge of SCK (MISO line)
- each bit is sampled on the rising edge of SCK (MOSI line)
- after the device is selected with the falling edge of CSB, an 8-bit command is received. The command defines the operations to be performed
- the rising edge of CSB ends all data transfer and resets internal counter and command register
- if an invalid command is received, no data is shifted into the chip and the MISO remains in high impedance state until the falling edge of CSB. This reinitializes the serial communication.
- data transfer to MOSI continues immediately after receiving the command in all cases where data is to be written to SCA1000's internal registers
- data transfer out from MISO starts with the falling edge of SCK immediately after the last bit of the SPI command is sampled in on the rising edge of SCK
- maximum SPI clock frequency is 500kHz
- maximum data transfer speed for RDAX and RDAY is 5300 samples per sec / channel

SPI command can be either an individual command or a combination of command and data. In the case of combined command and data, the input data follows uninterruptedly the SPI command and the output data is shifted out parallel with the input data.

The SPI interface uses an 8-bit instruction (or command) register. The list of commands is given in Table below.

| Command name | Command format | Description: |
|--------------|----------------|---|
| MEAS | 00000000 | Measure mode (normal operation mode after power on) |
| RWTR | 00001000 | Read temperature data register |
| STX | 00001110 | Activate Self test for X-channel |
| STY | 00001111 | Activate Self test for Y-channel |
| RDAX | 00010000 | Read X-channel acceleration |
| RDAY | 00010001 | Read Y-channel acceleration |

Measure mode (MEAS) is standard operation mode after power-up. During normal operation, the MEAS command is the exit command from Self test.

Read temperature data register (RWTR) reads temperature data register during normal operation without affecting the operation. The temperature data register is updated every 150 μ s. The load operation is disabled whenever the CSB signal is low, hence CSB must stay high at least 150 μ s prior to the RWTR command in order to guarantee correct data. The data transfer is presented in Figure 10 below. The data is transferred MSB first. In normal operation, it does not matter what data is written into temperature data register during the RWTR command and hence writing all zeros is recommended.



Figure 1. Command and 8 bit temperature data transmission over the SPI

Self test for X-channel (STX) activates the self test function for the X-channel (Channel 1). The internal charge pump is activated and a high voltage is applied to the X-channel acceleration sensor element electrode. This causes the electrostatic force that deflects the beam of the sensing element and simulates the acceleration to the positive direction. The self-test is de-activated by giving the MEAS command. **The self test function must not be activated for both channels at the same time.**

Self test for Y-channel (STY) activates the self test function for the Y-channel (Channel 2). The internal charge pump is activated and a high voltage is applied to the Y-channel acceleration sensor element electrode.

Read X-channel acceleration (RDAX) accesses the AD converted X-channel (Channel 1) acceleration signal stored in acceleration data register X.

Read Y-channel acceleration (RDAY) accesses the AD converted Y-channel (Channel 2) acceleration signal stored in acceleration data register Y.

During normal operation, acceleration data registers are reloaded every 150 μ s. The load operation is disabled whenever the CSB signal is low, hence CSB must stay high at least 150 μ s prior the RDAX command in order to guarantee correct data. Data output is an 11-bit digital word that is fed out MSB first and LSB last.



Figure 6. Command and 11 bit acceleration data transmission over the SPI

2.4 Self Test and Failure Detection Modes

To ensure reliable measurement results the SCA1000 has continuous interconnection failure and calibration memory validity detection. A detected failure forces the output signal close to power supply ground or VDD level, outside the normal output range. The normal output ranges are: analog 0.25-4.75 V (@V_{dd}=5V) and SPI 102...1945 counts.

The calibration memory validity is verified by continuously running parity check for the control register memory content. In the case where a parity error is detected, the control register is automatically re-loaded from the EEPROM. If a new parity error is detected after re-loading data both analog output voltages are forced to go close to ground level (<0.25 V) and SPI outputs go below 102 counts.

The SCA1000 also includes a separate self test mode. The true self test simulates acceleration, or deceleration, using an electrostatic force. The electrostatic force simulates acceleration that is high enough to deflect the proof mass to the extreme positive position, and this causes the output signal to go to the maximum value. The self test function is activated either by a separate on-off command on the self test input, or through the SPI.

The self-test generates an electrostatic force, deflecting the sensing element's proof mass, thus checking the complete signal path. The true self test performs following checks:

- Sensing element movement check
- ASIC signal path check
- PCB signal path check
- Micro controller A/D and signal path check

The created deflection can be seen in both the SPI and analogue output. The self test function is activated digitally by a STX or STY command, and de-activated by a MEAS command. Self test can be also activated applying logic "1" (positive supply voltage level) to ST pins (pins 9 & 10) of

SCA1000. The self test Input high voltage level is $4 - V_{dd} + 0.3$ V and input low voltage level is $0.3 - 1$ V. **The self test function must not be activated for both channels at the same time.**



Figure 7. Self test wave forms

V1 = initial output voltage before the self test function is activated.

V2 = output voltage during the self test function.

V3 = output voltage after the self test function has been de-activated and after stabilization time. Please note that the error band specified for V3 is to guarantee that the output is within 5% of the initial value after the specified stabilization time. After a longer time (max. 1 second) $V1 = V3$.

T1 = Pulse length for Self test activation

T2 = Saturation delay

T3 = Recovery time

T4 = Stabilization time = $T2 + T3$

T5 = Rise time during self test.

Self test characteristics:

| T1 [ms] | T2 [ms] | T3 [ms] | T4 [ms] | T5 [ms] | V2: | V3: |
|---------|---------|---------|---------|---------|---|---------------------------------|
| 20-100 | Typ. 20 | Typ. 30 | Typ. 55 | Typ. 10 | Min $0.95 \cdot V_{DD}$ (4.75V @ $V_{DD} = 5V$) | $0.95 \cdot V1 - 1.05 \cdot V1$ |

2.5 Temperature Measurement

The SCA1000 has an internal temperature sensor, which is used for internal offset compensation. The temperature information is also available for additional external compensation. The temperature sensor can be accessed via the SPI interface and the temperature reading is an 8-bit word (0...255). The transfer function is expressed with the following formula:

$$T = \frac{Counts - 197}{-1.083}$$

Where:

Counts Temperature reading
T Temperature in °C

The temperature measurement output is not calibrated. The internal temperature compensation routine uses relative results where absolute accuracy is not needed. If the temperature

measurement results are used for additional external compensation then one point calibration in the system level is needed to remove the offset. With external one point calibration the accuracy of the temperature measurement is about ± 1 °C.

3 Application Information

3.1 Recommended Circuit Diagrams and Printed Circuit Board Layouts

The SCA1000 should be powered from a well regulated 5 V DC power supply. Coupling of digital noise to the power supply line should be minimized. 100nF filtering capacitor between VDD pin 12 and GND plane must be used.

The SCA1000 has a ratiometric output. To get the best performance use the same reference voltage for both the SCA1000 and Analog/Digital converter.

Use low pass RC filters with 5.11 k Ω and 10nF on the SCA1000 outputs to minimize clock noise.

Locate the 100nF power supply filtering capacitor close to VDD pin 12. Use as short a trace length as possible. Connect the other end of capacitor directly to the ground plane. Connect the GND pin 6 to underlying ground plane. Use as wide ground and power supply planes as possible. Avoid narrow power supply or GND connection strips on PCB.

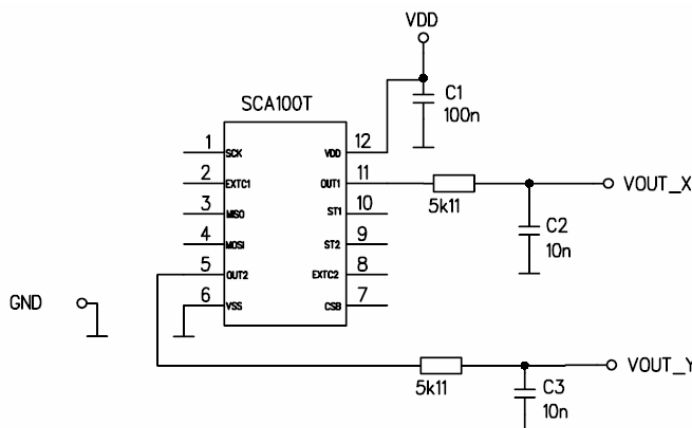


Figure 8. Analog connection and layout example

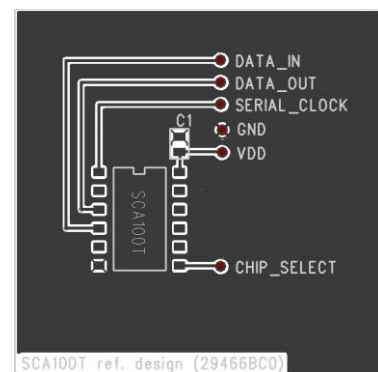
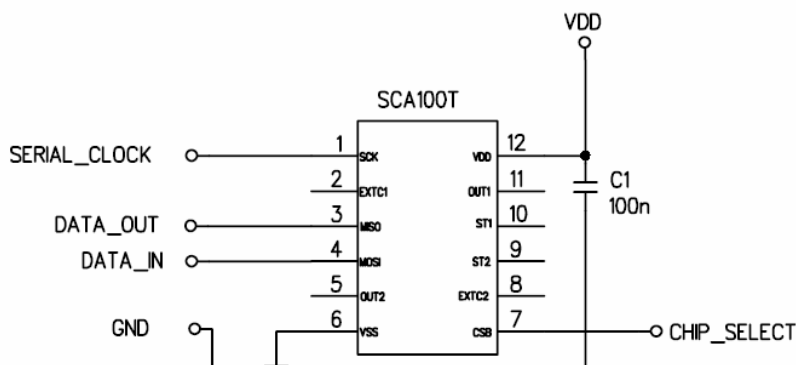


Figure 9. SPI connection example

3.2 Recommended Printed Circuit Board Footprint

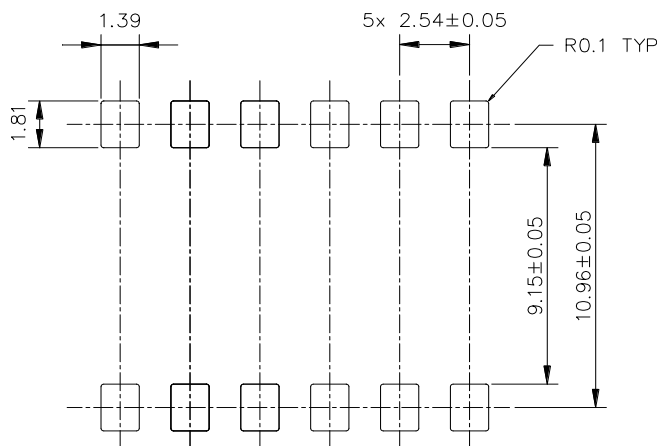


Figure 10. Recommended PCB footprint

4 Mechanical Specifications and Reflow Soldering

4.1 Mechanical Specifications (Reference only)

| | |
|----------------------|-------------------------------------|
| Lead frame material: | Copper |
| Plating: | Nickel followed by Gold |
| Solderability: | JEDEC standard: JESD22-B102-C |
| RoHS compliance: | RoHS compliant lead free component. |
| Co-planarity error: | 0.1mm max. |
| Part weight: | <1.2 g |

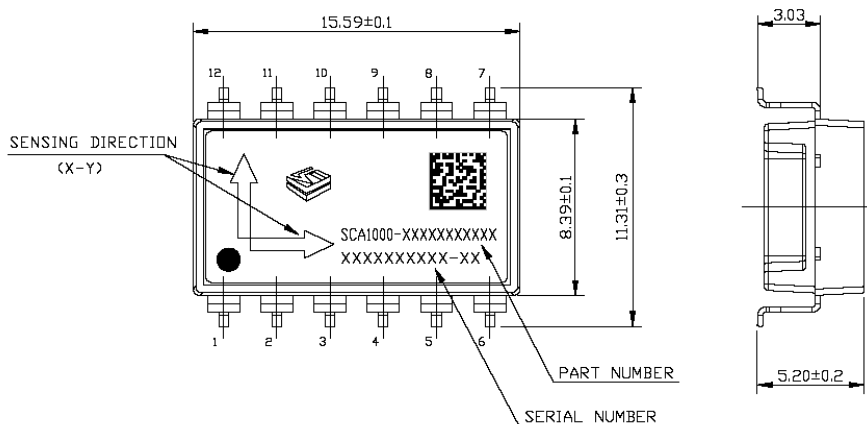


Figure 11. Mechanical dimensions of the SCA1000 (Dimensions in mm)

4.2 Reflow Soldering

The SCA1000 is suitable for Sn-Pb eutectic and Pb-free soldering process and mounting with normal SMD pick-and-place equipment.



Figure 12. Recommended SCA1000 body temperature profile during reflow soldering. Ref. IPC/JEDEC J-STD-020B.

| Profile feature | Sn-Pb Eutectic Assembly | Pb-free Assembly |
|--|-------------------------|------------------|
| Average ramp-up rate (T_L to T_P) | 3°C/second max. | 3°C/second max. |
| Preheat | | |
| - Temperature min (T_{smin}) | 100°C | 150°C |
| - Temperature max (T_{smax}) | 150°C | 200°C |
| - Time (min to max) (t_s) | 60-120 seconds | 60-180 seconds |
| T_{smax} to T_L , Ramp up rate | | 3°C/second max |
| Time maintained above: | | |
| - Temperature (T_L) | 183°C | 217°C |
| - Time (t_L) | 60-150 seconds | 60-150 seconds |
| Peak temperature (T_P) | 240 +0/-5°C | 250 +0/-5°C |
| Time within 5°C of actual Peak Temperature (T_P) | 10-30 seconds | 20-40 seconds |
| Ramp-down rate | 6°C/second max | 6°C/second max |
| Time 25° to Peak temperature | 6 minutes max | 8 minutes max |

The Moisture Sensitivity Level of the part is 3 according to the IPC/JEDEC J-STD-020B. The part should be delivered in a dry pack. The manufacturing floor time (out of bag) in the customer's end is 168 hours.

Notes:

- Preheating time and temperatures according to guidance from solder paste manufacturer.
- It is important that the part is parallel to the PCB plane and that there is no angular alignment error from intended measuring direction during assembly process.
- Wave soldering is not recommended.
- **Ultrasonic cleaning is not allowed.** The sensing element may be damaged by an ultrasonic cleaning process.

Компания «Океан Электроники» предлагает заключение долгосрочных отношений при поставках импортных электронных компонентов на взаимовыгодных условиях!

Наши преимущества:

- Поставка оригинальных импортных электронных компонентов напрямую с производств Америки, Европы и Азии, а так же с крупнейших складов мира;
- Широкая линейка поставок активных и пассивных импортных электронных компонентов (более 30 млн. наименований);
- Поставка сложных, дефицитных, либо снятых с производства позиций;
- Оперативные сроки поставки под заказ (от 5 рабочих дней);
- Экспресс доставка в любую точку России;
- Помощь Конструкторского Отдела и консультации квалифицированных инженеров;
- Техническая поддержка проекта, помощь в подборе аналогов, поставка прототипов;
- Поставка электронных компонентов под контролем ВП;
- Система менеджмента качества сертифицирована по Международному стандарту ISO 9001;
- При необходимости вся продукция военного и аэрокосмического назначения проходит испытания и сертификацию в лаборатории (по согласованию с заказчиком);
- Поставка специализированных компонентов военного и аэрокосмического уровня качества (Xilinx, Altera, Analog Devices, Intersil, Interpoint, Microsemi, Actel, Aeroflex, Peregrine, VPT, Syfer, Eurofarad, Texas Instruments, MS Kennedy, Miteq, Cobham, E2V, MA-COM, Hittite, Mini-Circuits, General Dynamics и др.);

Компания «Океан Электроники» является официальным дистрибьютором и эксклюзивным представителем в России одного из крупнейших производителей разъемов военного и аэрокосмического назначения «JONHON», а так же официальным дистрибьютором и эксклюзивным представителем в России производителя высокотехнологичных и надежных решений для передачи СВЧ сигналов «FORSTAR».



JONHON

«JONHON» (основан в 1970 г.)

Разъемы специального, военного и аэрокосмического назначения:

(Применяются в военной, авиационной, аэрокосмической, морской, железнодорожной, горно- и нефтедобывающей отраслях промышленности)

«FORSTAR» (основан в 1998 г.)

ВЧ соединители, коаксиальные кабели, кабельные сборки и микроволновые компоненты:

(Применяются в телекоммуникациях гражданского и специального назначения, в средствах связи, РЛС, а так же военной, авиационной и аэрокосмической отраслях промышленности).



Телефон: 8 (812) 309-75-97 (многоканальный)

Факс: 8 (812) 320-03-32

Электронная почта: ocean@oceanchips.ru

Web: <http://oceanchips.ru/>

Адрес: 198099, г. Санкт-Петербург, ул. Калинина, д. 2, корп. 4, лит. А