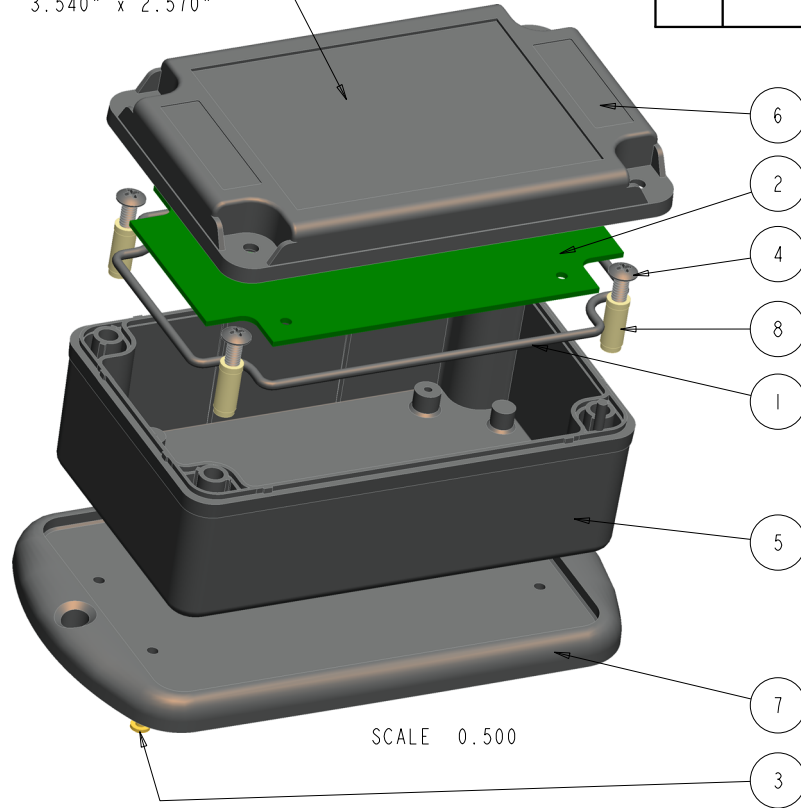


523322(x) CONFIGURATIONS			
	-Blank	-WP	-OR
S523322 COVER	I		
S523322 BASE	I		
S523322 WALL BASE		I	
S523322 O-RING			I
8-32 MACHINE SCREWS	4		
#4 HiLo SCREW .375"		4	

REVISION					
REV.	DRAWN BY	ECO No	DESCRIPTION	DATE	APPROVED
1	M BOYER		PRELIMINARY RELEASE	11-Dec-08	D.C.
2	M BOYER	0209	CHANGE PART NUMBER	27-Jan-09	D.C.
3	M BOYER	2409	ADD BEAUTY RING AROUND PERIMETER	28-Apr-09	D.C.
4	M BOYER	2609	INCREASE O-RING DIAMETER	18-May-09	D.C.
5	M BOYER	3609	ADD CONFIG AND OVERMOLD PEM INSERTS	02-Sep-09	D.C.
6	M BOYER	3709	ADD FLOW RIBS AROUND PEM INSERTS	23-Oct-09	D.C.
7	M BOYER	4409	UPDATE NOTES	18-Nov-09	D.C.

LABEL RECESS AREA  
RECOMMENDED LABEL SIZE  
3.540" x 2.570"

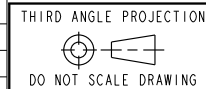


NOTES: UNLESS OTHERWISE SPECIFIED

- CORNERS DRAWN SHARP TO BE R.005 MAXIMUM.
- EXTERIOR SURFACE TEXTURE TO BE LIGHT EDM FINISH. EQUIVELANT TO MT-11020.
- INTERIOR SURFACE TEXTURE TO BE FINE MATTE FINISH.
- ALL INSIDE RADIUS .010R, ALL OUTSIDE RADIUS .020R MAX, UNLESS OTHERWISE SPECIFIED.
- ALL EXTERNAL DIMENSIONS AFFECTED BY THE DRAFT APPLY AT THE LARGE END OF THE FEATURE, AND ALL INTERNAL FEATURES AFFECTED BY THE DRAFT APPLY AT THE SMALL END OF THE FEATURE UNLESS OTHERWISE SPECIFIED.
- 1 DEGREE DRAFT IN THE DIRECTION OF PULL IS PERMISSIBLE UNLESS OTHERWISE SPECIFIED.
- MATERIAL / COLOR: ASA PLASTIC IS STANDARD, IN BLACK OR WHITE. CUSTOM MATERIALS AND COLORS ARE AVAILABLE UPON REQUEST.
- PCB SIZES ARE RECOMMENDATIONS ONLY. FINAL SIZES AND VERIFICATION OF IT'S FIT ARE THE SOLE RESPONSIBILITY OF EACH OWNER.
- STANDARD OR CUSTOM LABEL RECESSES ARE AVAILABLE.
- ASSEMBLY HARDWARE PROVIDED.
- OPERATING TEMPERATURE RANGE OF ENCLOSURE IS: -40°F to +180°F
- THIS ENCLOSURE IS CONSTRUCTED FOR INDOOR OR OUTDOOR USE TO PROVIDE A DEGREE OF PROTECTION TO THE EQUIPMENT INSIDE AGAINST THE INGRESS OF SOLID FOREIGN OBJECTS (FALLING DIRT); AND TO PROVIDE A DEGREE OF PROTECTION WITH RESPECT TO HARMFUL EFFECTS ON THE EQUIPMENT DUE TO THE INGRESS OF WATER (DRIPPING AND SPLASHING).

ITEM	FILE NAME	DESCRIPTION	MATERIAL	COLOR	QTY.
8	PEM-INSERT_8-32	PEM THREADED INSERT - BRASS	STKB-832-24	OVERMOLDED	4
7	523322_WALL	523322 WALL PLATE - STANDARD	ASA	BLACK	1
6	523322_COVER	523322 COVER - STANDARD	ASA	BLACK	1
5	523322_BASE	523322 BASE - STANDARD	ASA	BLACK	1
4	8-32_MACH_SCREW	8-32 MACHINE SCREW	8x32x.500	.50" LONG	4
3	NO_4_3-8_SCREW	#4 HiLo SCREW	#4 HiLo ZINK PLATED	.375" LONG	4
2	523322_PCB	REFERENCE ONLY - PCB	CUSTOMER SUPPLIED	.062" THICK	1
1	523322_ORING	523322 ORING	TPE G7930	30 SHORE - A SCALE	1

**BILL OF MATERIALS**



TOLERANCES: UNLESS OTHERWISE SPECIFIED  
DIMENSIONS ARE IN U.S. INCHES.  
X.XX = .010 X.XXXX = .001  
X.XXX = .005 X.X" = 1"

**NEW AGE ENCLOSURES**

CUSTOMER Part No# XXX

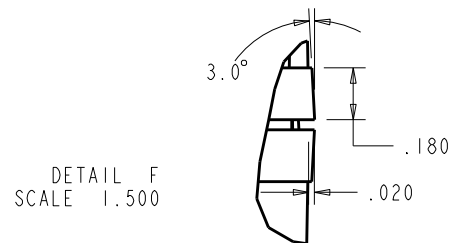
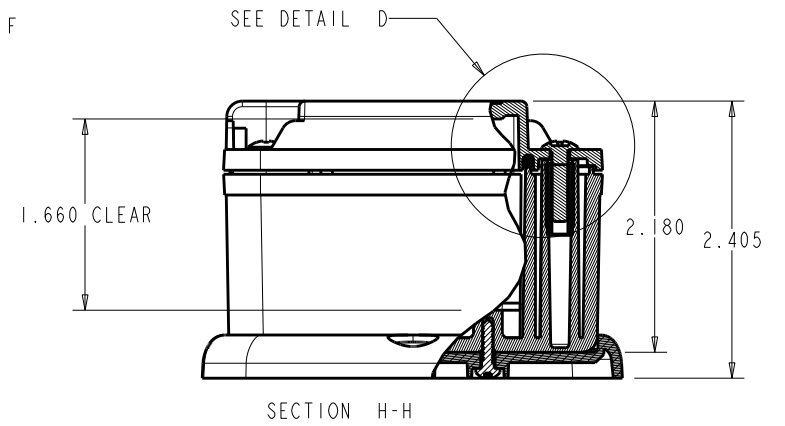
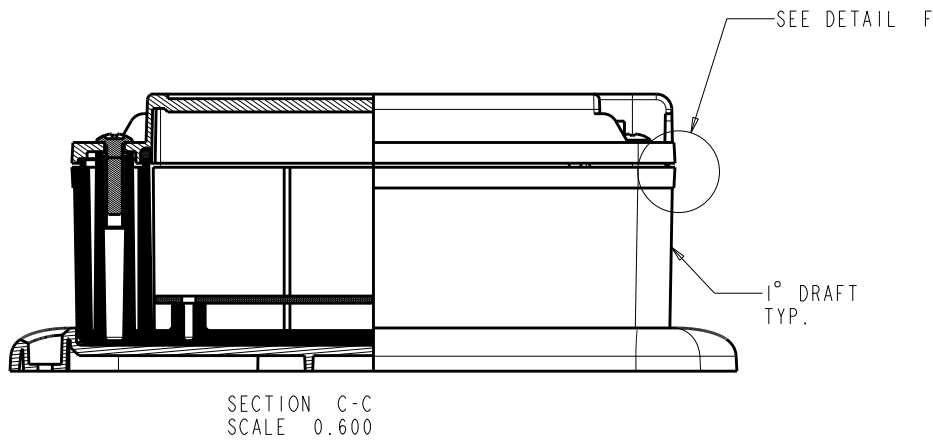
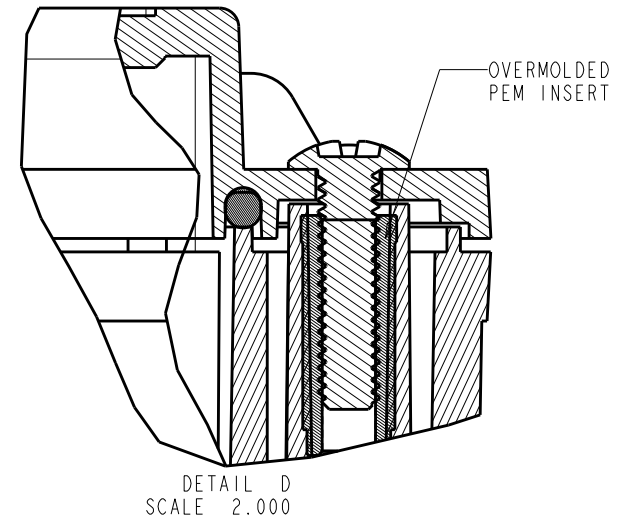
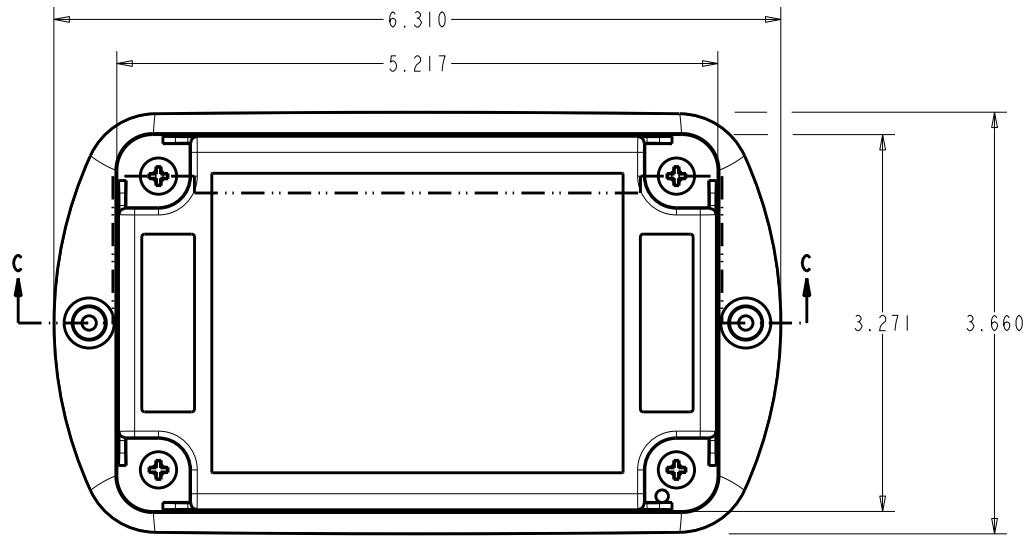
**NEW AGE ENCLOSURES**  
a division of ALLTEC Inc.  
4330 Santa Fe Road, Ste B San Luis Obispo, CA. 93401  
ph. (805) 595-1310 fax (805) 595-1024  
[www.newageenclosures.com](http://www.newageenclosures.com)

NOTICE: THE INFORMATION AND DATA CONTAINED HEREIN IS CONSIDERED PROPRIETARY TO ALLTEC INTEGRATED MFG INC & SHALL REMAIN THE EXCLUSIVE PROPERTY OF ALLTEC INTEGRATED MFG INC. THE HOLDER WILL ASSUME CUSTODY AND CONTROL THAT THIS DOCUMENT WILL NOT BE COPIED, REPRODUCED, OR DISCLOSED WITHOUT THE EXPRESS WRITTEN CONSENT OF ALLTEC INTEGRATED MFG INC. POSSESSION OF THIS DOCUMENT DOES NOT CONSTITUTE A GRANT TO MANUFACTURE ANY ITEMS.  
© 2008

APPROVAL	BY	DATE
CHECK		
ENG.		
SCALE		
DRAWN BY	11-Dec-08	
M BOYER		

**STANDARD - OUTDOOR UTILITY  
SXX-523322 ASSEMBLY**

SIZE	DRAWING NAME	SHEET	REV
A	523322_R7	1 OF 8	7



TOLERANCES: UNLESS OTHERWISE SPECIFIED  
DIMENSIONS ARE IN U.S. INCHES.  
X.XX = .010 X.XXXX = .001  
X.XXX = .005 X.X° = 1°

**NEW AGE ENCLOSURES**

APPROVAL \_\_\_\_\_ BY \_\_\_\_\_ DATE \_\_\_\_\_  
CHECK \_\_\_\_\_  
ENG. \_\_\_\_\_  
SCALE \_\_\_\_\_

DRAWN BY **M BOYER** 11-Dec-08

**NEW AGE ENCLOSURES**

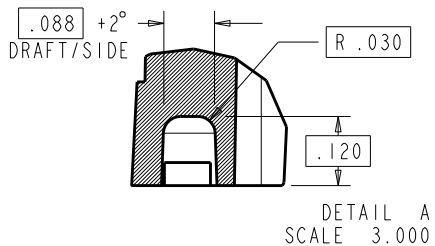
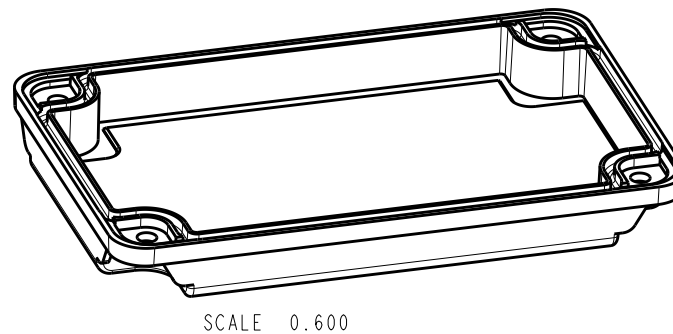
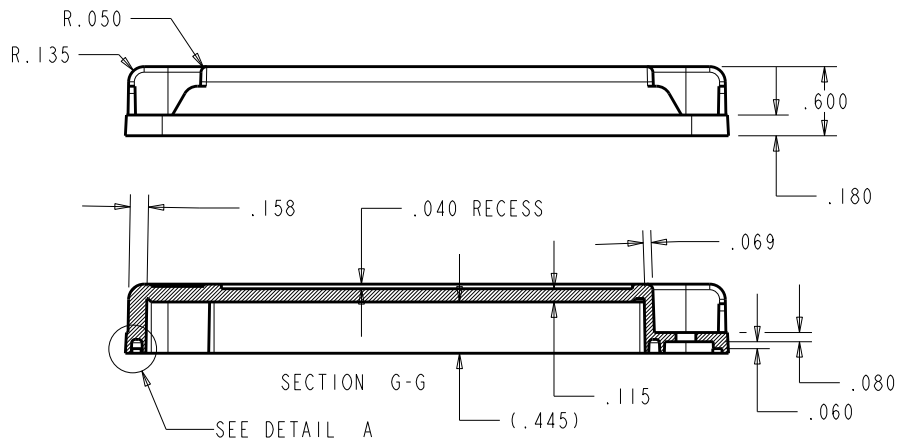
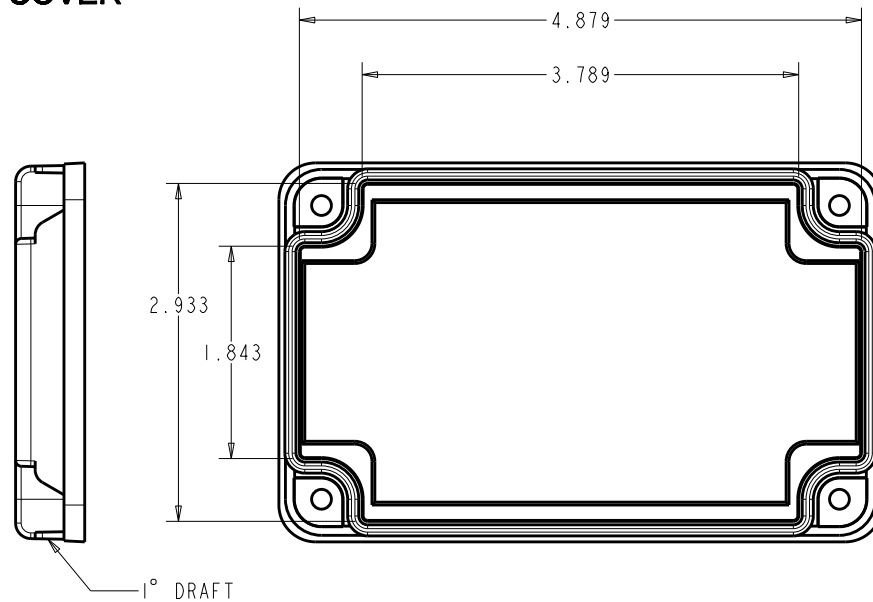
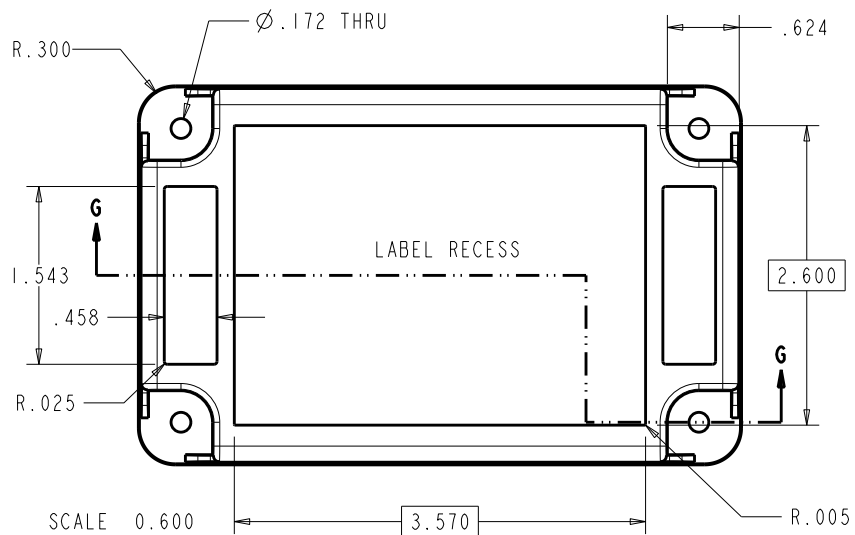
a division of **ALLTEC Inc.**  
4330 Santa Fe Road, Ste B San Luis Obispo, CA 93401  
ph. (805) 585-1310 fax (805) 585-1024  
[www.newageenclosures.com](http://www.newageenclosures.com)

**STANDARD - OUTDOOR UTILITY  
SXX-523322 ASSEMBLY**

SIZE **A** DRAWING NAME **523322\_R7**

SHEET **2 OF 8** REV **7**

# 523322 COVER



TOLERANCES: UNLESS OTHERWISE SPECIFIED  
DIMENSIONS ARE IN U.S. INCHES.  
X.XX = .010 X.XXXX = .001  
X.XXX = .005 X.X° = 1°

**NEW AGE ENCLOSURES**

APPROVAL	BY	DATE
CHECK		
ENG.		
SCALE		

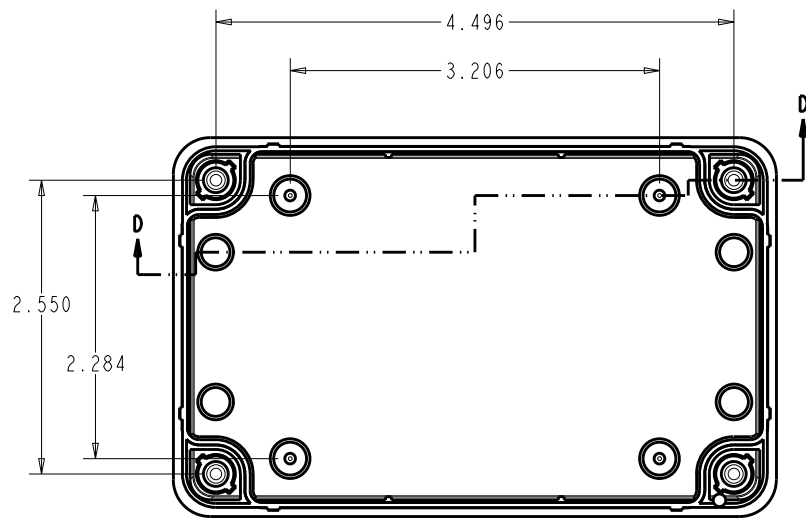
DRAWN BY **M BOYER** 11-Dec-08

**NEW AGE ENCLOSURES**  
a division of ALLTEC Inc.  
4330 Santa Fe Road, Ste B San Luis Obispo, CA. 93401  
ph. (805) 595-1310 fax (805) 595-1024  
[www.newageenclosures.com](http://www.newageenclosures.com)

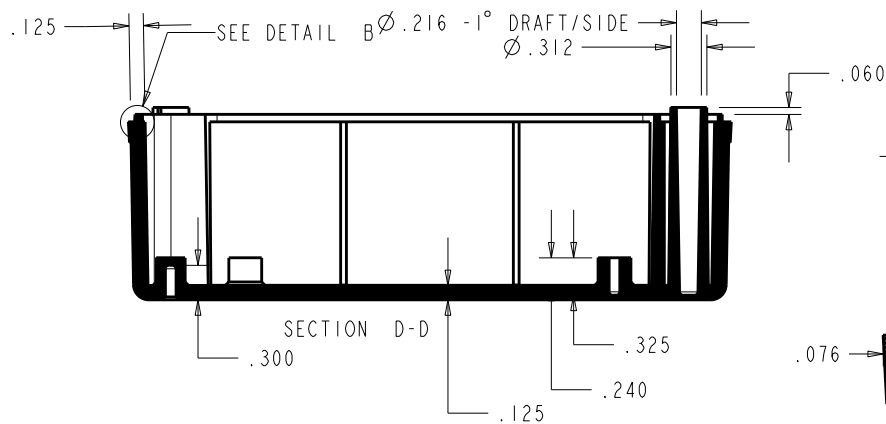
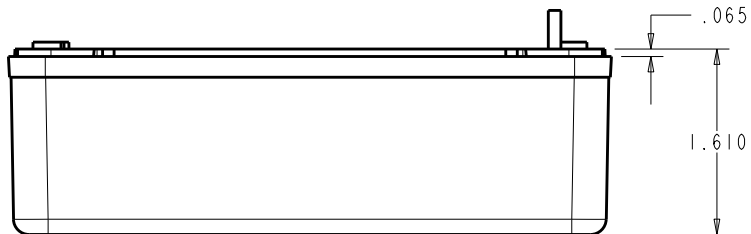
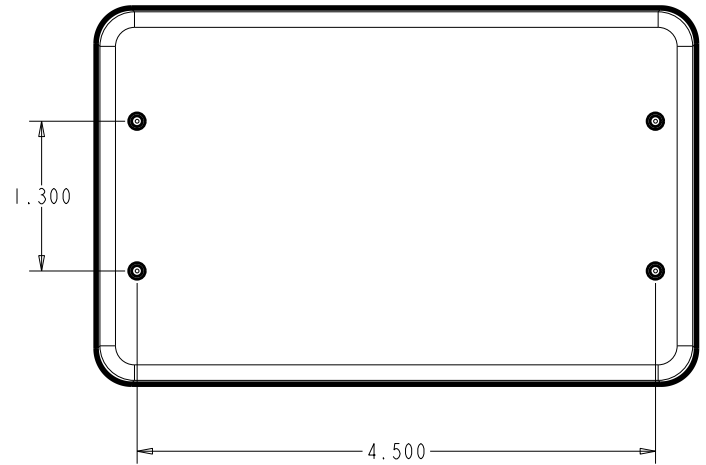
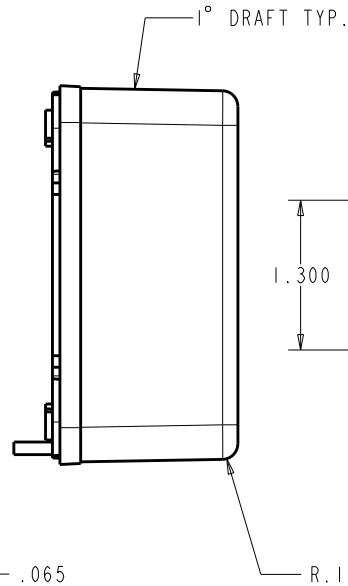
**STANDARD - OUTDOOR UTILITY  
SXX-523322 ASSEMBLY**

SIZE <b>A</b>	DRAWING NAME <b>523322_R7</b>	SHEET <b>3 OF 8</b>	REV <b>7</b>
---------------	-------------------------------	---------------------	--------------

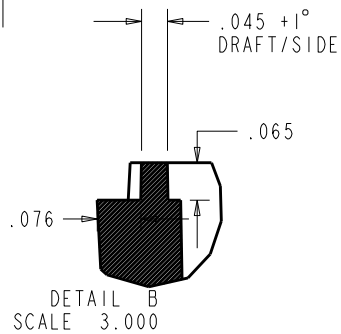
# 523322 BASE



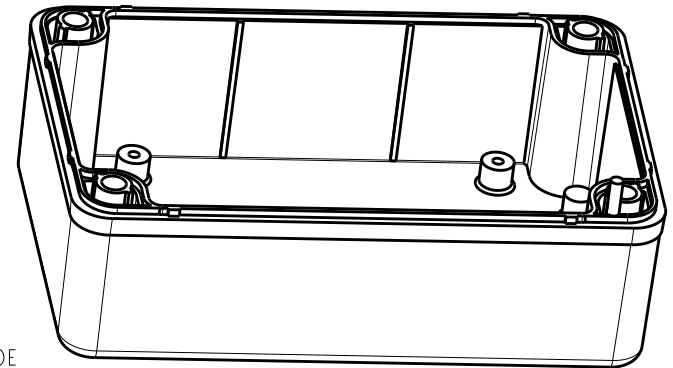
SCALE 0.600



SECTION D-D



DETAIL B  
SCALE 3.000



SCALE 0.600

TOLERANCES: UNLESS OTHERWISE SPECIFIED  
DIMENSIONS ARE IN U.S. INCHES.  
X.XX = .010 X.XXXX = .001  
X.XXX = .005 X.X° = 1°

NEW AGE ENCLOSURES

APPROVAL \_\_\_\_\_ BY \_\_\_\_\_ DATE \_\_\_\_\_  
CHECK \_\_\_\_\_  
ENG. \_\_\_\_\_  
SCALE \_\_\_\_\_

DRAWN BY **M BOYER** 11-Dec-08

**NEW AGE ENCLOSURES**

a division of **ALLTEC Inc.**

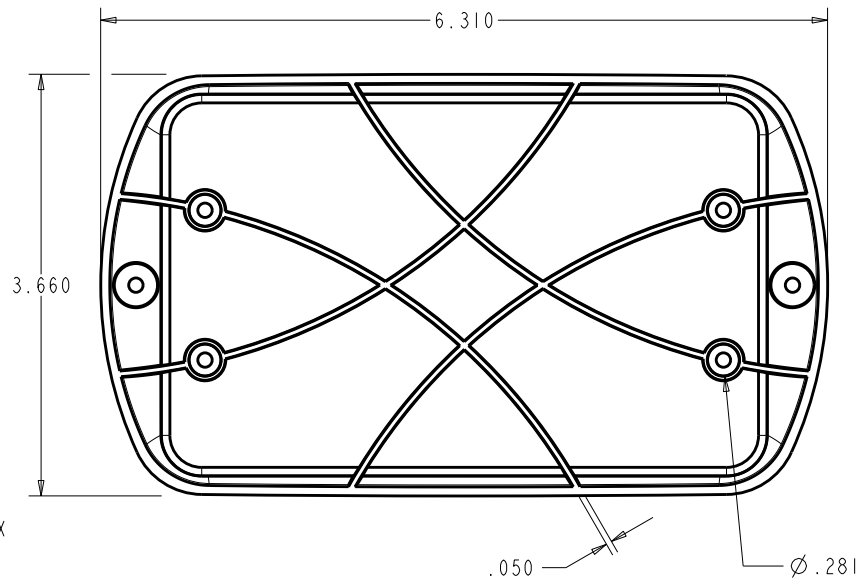
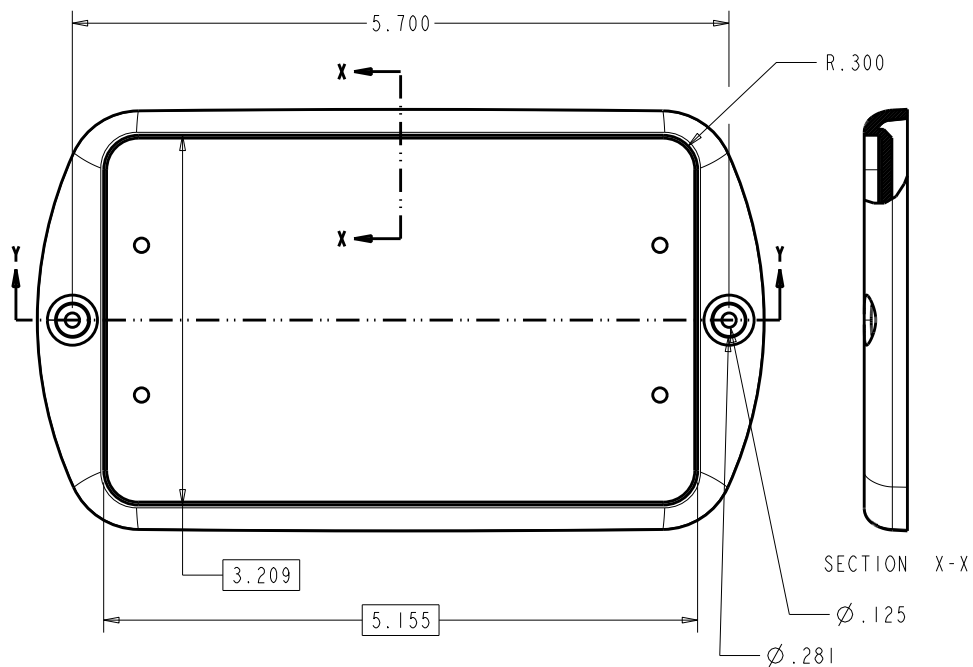
4330 Santa Fe Road, Ste B San Luis Obispo, CA. 93401  
ph. (805) 685-1310 fax (805) 685-1024

[www.newageenclosures.com](http://www.newageenclosures.com)

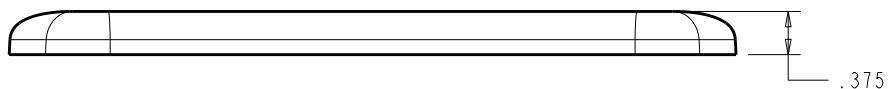
**STANDARD - OUTDOOR UTILITY  
SXX-523322 ASSEMBLY**

SIZE **A** DRAWING NAME **523322\_R7** SHEET **4 OF 8** REV **7**

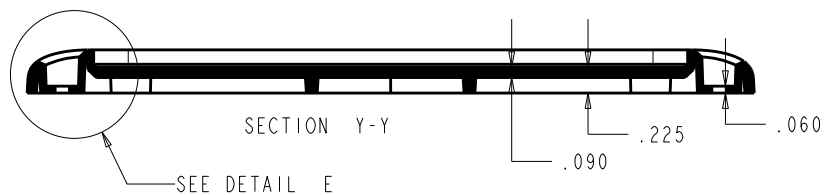
523322 WALL



SCALE 0.600



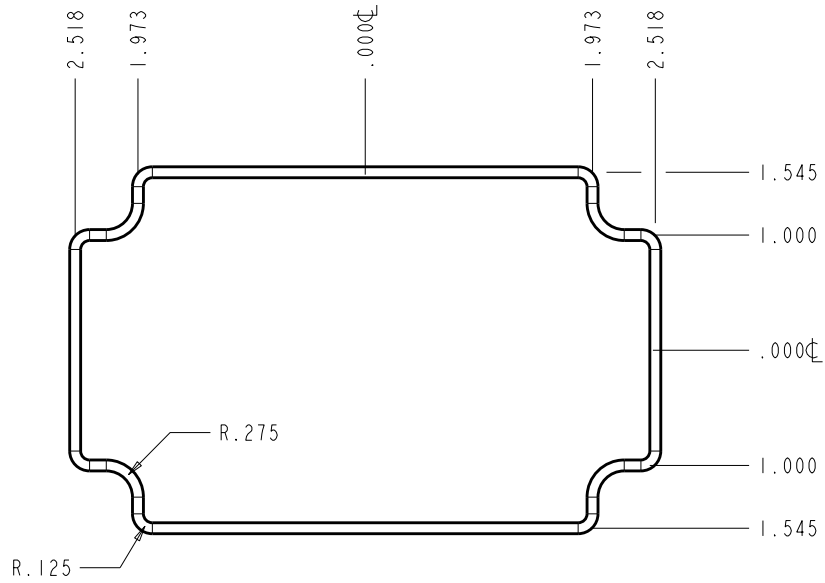
SCALE 0.600



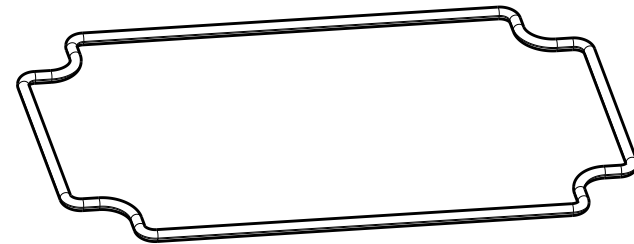
DETAIL E  
SCALE 1.332

TOLERANCES: UNLESS OTHERWISE SPECIFIED DIMENSIONS ARE IN U.S. INCHES. X.XX = .010    X.XXXX = .001 X.XXX = .005    X.X° = 1°		<b>NEW AGE ENCLOSURES</b> a division of ALLTEC Inc. 4330 Santa Fe Road, Ste B    San Luis Obispo, CA 93401 ph. (805) 685-1310    fax (805) 685-1024 <a href="http://www.newageenclosures.com">www.newageenclosures.com</a>	
<b>NEW AGE ENCLOSURES</b>		<b>STANDARD - OUTDOOR UTILITY SXX-523322 ASSEMBLY</b>	
APPROVAL	BY	DATE	
CHECK			
ENG.			
SCALE			
DRAWN BY	M BOYER    11-Dec-08		SIZE A    DRAWING NAME 523322_R7
			SHEET 5 OF 8    REV 7

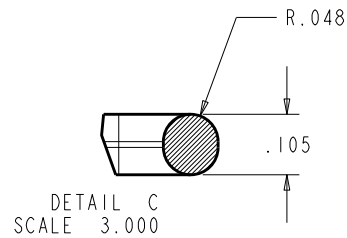
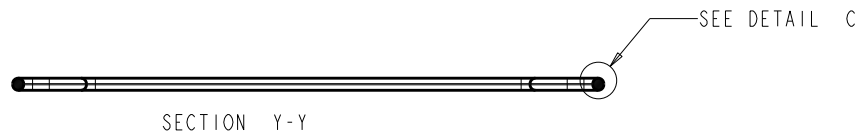
# 523322 O-RING



SCALE 0.600



SCALE 0.600



TOLERANCES: UNLESS OTHERWISE SPECIFIED  
DIMENSIONS ARE IN U.S. INCHES.  
X.XX = .010 X.XXXX = .001  
X.XXX = .005 X.X° = 1°

NEW AGE ENCLOSURES

**NEW AGE ENCLOSURES**

a division of ALLTEC Inc.

4330 Santa Fe Road, Ste B San Luis Obispo, CA 93401  
ph. (805) 585-1310 fax (805) 585-1024

[www.newageenclosures.com](http://www.newageenclosures.com)

APPROVAL BY DATE  
CHECK  
ENG.  
SCALE

STANDARD - OUTDOOR UTILITY  
SXX-523322 ASSEMBLY

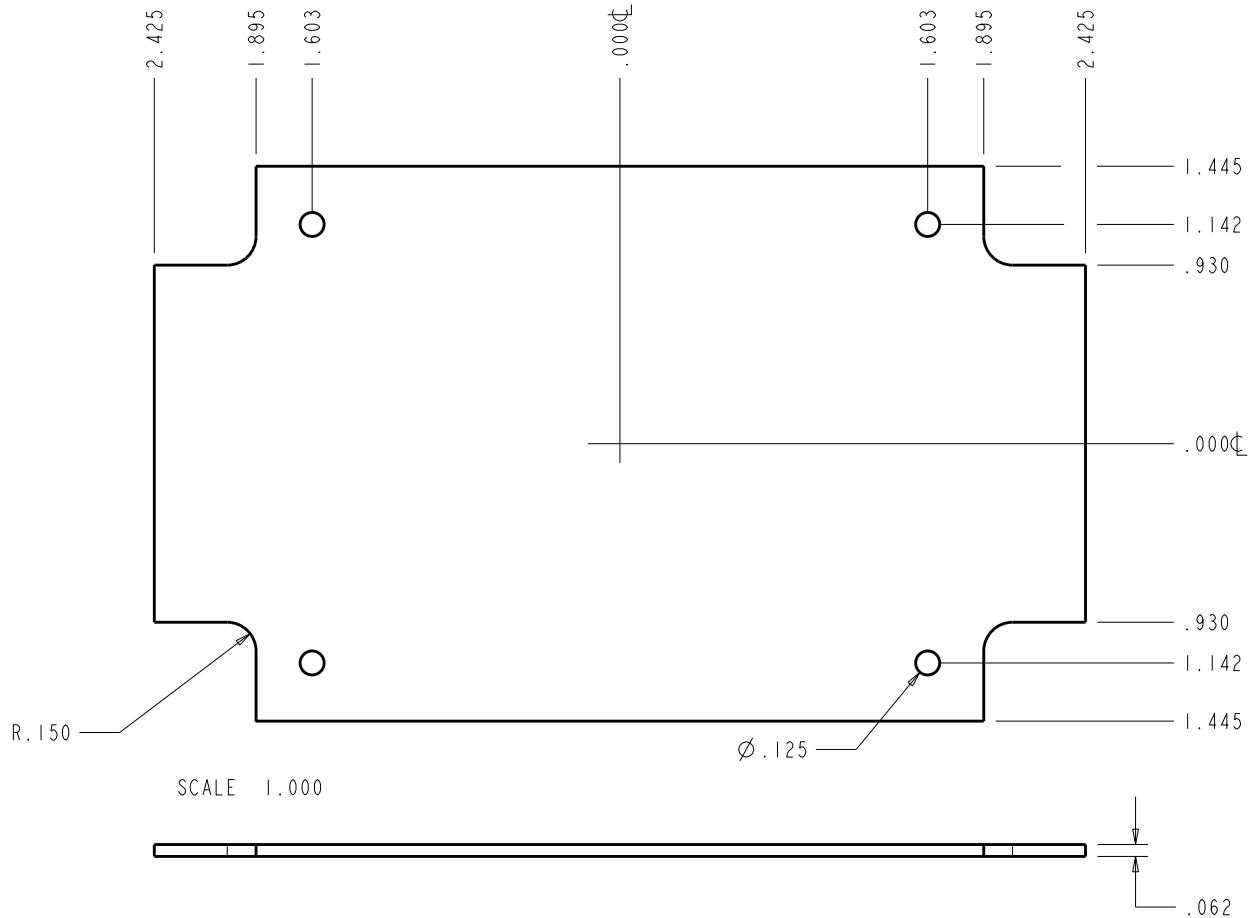
DRAWN BY M BOYER 11-Dec-08

SIZE A DRAWING NAME 523322\_R7

SHEET 6 OF 8 REV 7

# S523322 PCB - CUSTOMER SUPPLIED

PCB SIZES ARE RECOMMENDATIONS ONLY. FINAL SIZES AND VERIFICATION OF IT'S FIT ARE THE SOLE RESPONSIBILITY OF THE OEM.



TOLERANCES: UNLESS OTHERWISE SPECIFIED  
DIMENSIONS ARE IN U.S. INCHES.  
X.XX = .010 X.XXXX = .001  
X.XXX = .005 X.X° = 1°

**NEW AGE ENCLOSURES**

APPROVAL BY DATE  
CHECK  
ENG.  
SCALE

DRAWN BY **M BOYER** 11-Dec-08

## NEW AGE ENCLOSURES

a division of **ALLTEC Inc.**  
4330 Santa Fe Road, Ste B San Luis Obispo, CA. 93401  
ph. (805) 595-1310 fax (805) 595-1024  
[www.newageenclosures.com](http://www.newageenclosures.com)

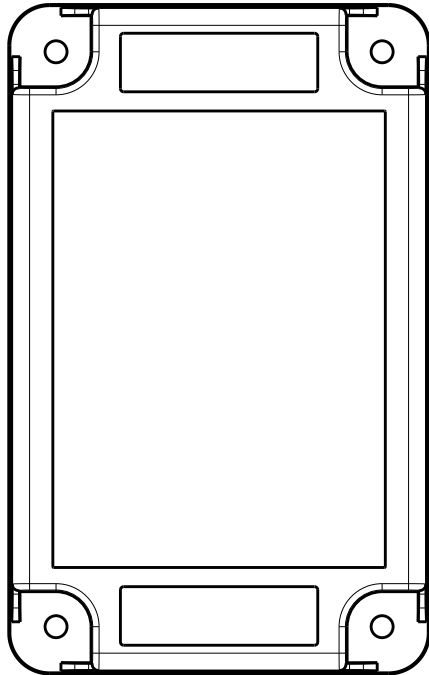
**STANDARD - OUTDOOR UTILITY  
SXX-523322 ASSEMBLY**

SIZE **A** DRAWING NAME **523322\_R7** SHEET **7 OF 8** REV **7**

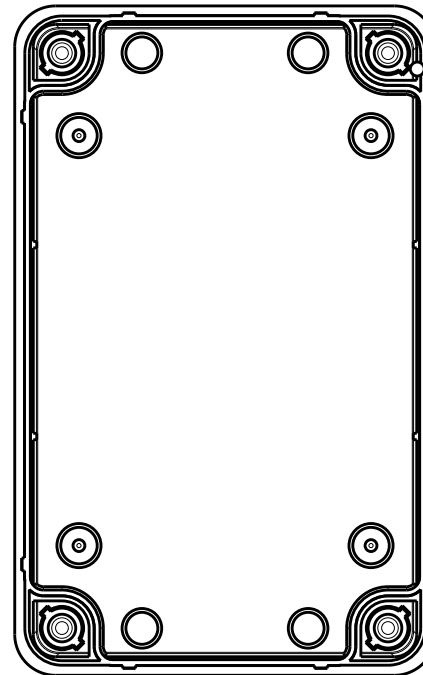


## 2nd OPERATION DETAILS

NEW AGE ENCLOSURES DELIVERS YOUR ENCLOSURE MARKET-READY WITH IN-HOUSE  
CNC MACHINING, PAD PRINTING, ASSEMBLY, AND FULFILLMENT.  
ALL SURFACES AND AREAS ARE AVAILABLE FOR CNC ALTERATION BY NEW AGE ENCLOSURES  
CALL (805) 595-1310 FOR PRICING AND SCHEDULE.  
THE INSIDE RADIUS OF ANY MACHINED FEATURES SHOULD BE NO SMALLER THAN .031"



523322 COVER  
SCALE 0.666



523322 BASE  
SCALE 0.666

### SXX-523322-XXX COVER - ABS, BLACK

STEP NO	DESCRIPTION	CUTTER	FIXTURE	ORIENTATION	PROGRAM
1	-	T2 = .062" EM	-	-	-
2	-	T2 = .062" EM	-	-	-
3	-	T2 = .062" EM	-	-	-

TOLERANCES: UNLESS OTHERWISE SPECIFIED  
DIMENSIONS ARE IN U.S. INCHES.  
X.XX = .015 X.XXXX = .001  
X.XXX = .010 X.X° = 1°

**NEW AGE ENCLOSURES**

APPROVAL	BY	DATE
CHECK		
ENG.		
SCALE		
DRAWN BY		
<b>M BOYER 11-Dec-08</b>		

### NEW AGE ENCLOSURES

*a division of ALLTEC Inc.*  
4330 Santa Fe Road, Ste B San Luis Obispo, CA. 93401  
ph. (805) 595-1310 fax (805) 595-1024  
[www.newageenclosures.com](http://www.newageenclosures.com)

**STANDARD - OUTDOOR UTILITY  
SXX-523322 ASSEMBLY**

SIZE	DRAWING NAME	SHEET	REV
<b>A</b>	<b>523322_R7</b>	<b>8 OF 8</b>	<b>7</b>

# Mouser Electronics

Authorized Distributor

Click to View Pricing, Inventory, Delivery & Lifecycle Information:

[New Age Enclosures:](#)

[S1L-523322WP](#) [S3L-523322](#) [S3L-523322WP](#) [S-523322OR](#) [S1L-523322](#)

Компания «Океан Электроники» предлагает заключение долгосрочных отношений при поставках импортных электронных компонентов на взаимовыгодных условиях!

Наши преимущества:

- Поставка оригинальных импортных электронных компонентов напрямую с производств Америки, Европы и Азии, а так же с крупнейших складов мира;
- Широкая линейка поставок активных и пассивных импортных электронных компонентов (более 30 млн. наименований);
- Поставка сложных, дефицитных, либо снятых с производства позиций;
- Оперативные сроки поставки под заказ (от 5 рабочих дней);
- Экспресс доставка в любую точку России;
- Помощь Конструкторского Отдела и консультации квалифицированных инженеров;
- Техническая поддержка проекта, помощь в подборе аналогов, поставка прототипов;
- Поставка электронных компонентов под контролем ВП;
- Система менеджмента качества сертифицирована по Международному стандарту ISO 9001;
- При необходимости вся продукция военного и аэрокосмического назначения проходит испытания и сертификацию в лаборатории (по согласованию с заказчиком);
- Поставка специализированных компонентов военного и аэрокосмического уровня качества (Xilinx, Altera, Analog Devices, Intersil, Interpoint, Microsemi, Actel, Aeroflex, Peregrine, VPT, Syfer, Eurofarad, Texas Instruments, MS Kennedy, Miteq, Cobham, E2V, MA-COM, Hittite, Mini-Circuits, General Dynamics и др.);

Компания «Океан Электроники» является официальным дистрибьютором и эксклюзивным представителем в России одного из крупнейших производителей разъемов военного и аэрокосмического назначения «JONHON», а так же официальным дистрибьютором и эксклюзивным представителем в России производителя высокотехнологичных и надежных решений для передачи СВЧ сигналов «FORSTAR».



## JONHON

«JONHON» (основан в 1970 г.)

Разъемы специального, военного и аэрокосмического назначения:

(Применяются в военной, авиационной, аэрокосмической, морской, железнодорожной, горно- и нефтедобывающей отраслях промышленности)

«FORSTAR» (основан в 1998 г.)

ВЧ соединители, коаксиальные кабели, кабельные сборки и микроволновые компоненты:

(Применяются в телекоммуникациях гражданского и специального назначения, в средствах связи, РЛС, а так же военной, авиационной и аэрокосмической отраслях промышленности).



Телефон: 8 (812) 309-75-97 (многоканальный)

Факс: 8 (812) 320-03-32

Электронная почта: [ocean@oceanchips.ru](mailto:ocean@oceanchips.ru)

Web: <http://oceanchips.ru/>

Адрес: 198099, г. Санкт-Петербург, ул. Калинина, д. 2, корп. 4, лит. А